

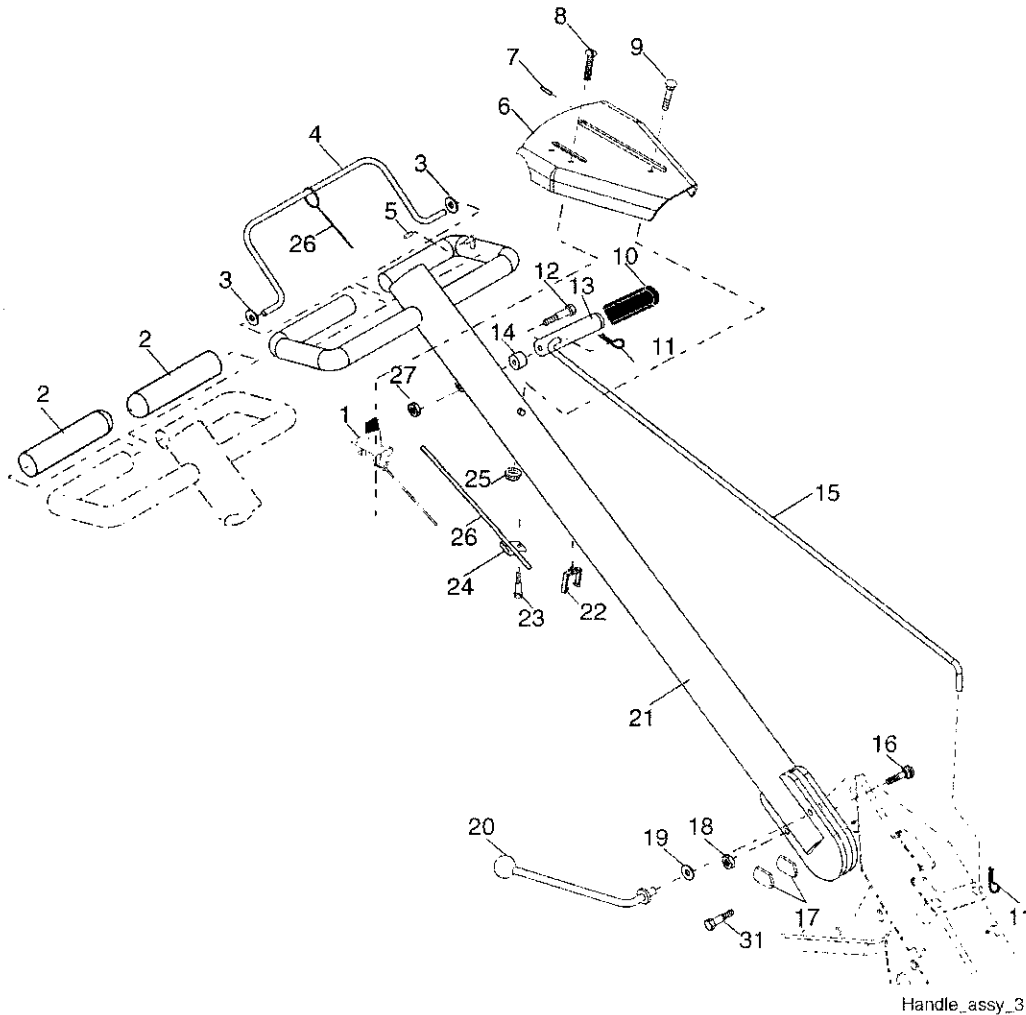
**REPAIR PARTS MANUAL**  
**MODEL NO. 290020**  
**5.5 HP 14 Inch**  
**Tiller**



# REPAIR PARTS

## TILLER - - MODEL NUMBER 917.290020

### HANDLES



KEY NO.	PART NO.	DESCRIPTION
1	189482	Throttle, Control
2	141406	Grip, Handle
3	110673X	Grommet, Handle
4	127254X	Bar, Drive Control Assembly
5	6712J	Cap, Vinyl
6	188403	Panel, Control
7	110641X	Bushing, Split
8	17720408	Screw 1/4-20 x 1/2
9	72010520	Bolt, 5/16-18 x 2-1/2
10	110646X	Handle, Grip
11	4497H	Retainer Spring
12	81328	Bolt, Shoulder
13	187497	Handle, Shift
14	109313X	Grommet, Rubber
15	110702X	Rod, Shift
16	STD533710	Bolt 3/8-16 x 1 Gr. 5

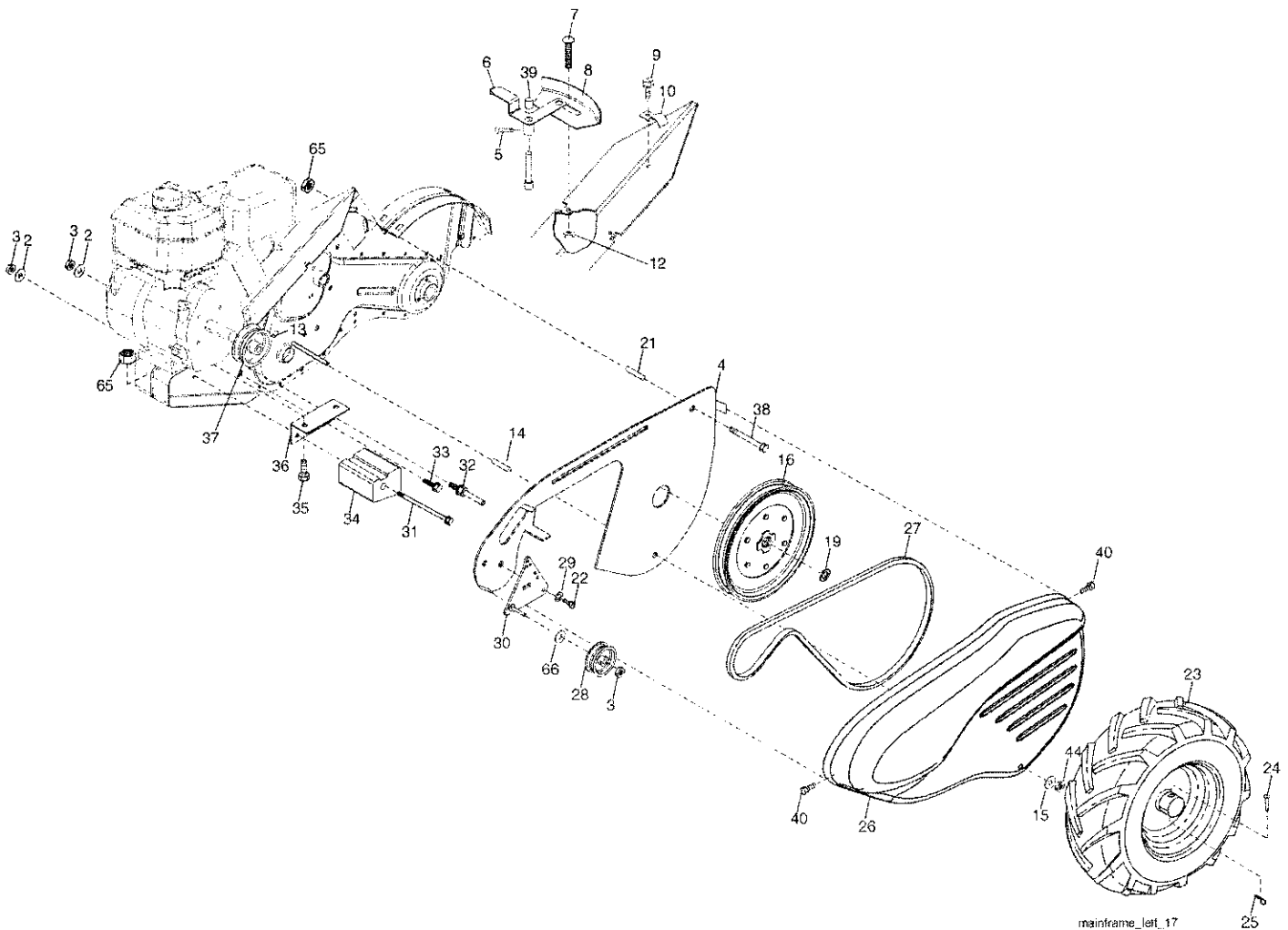
KEY NO.	PART NO.	DESCRIPTION
17	109229X	Lock, Handle
18	STD541437	Nut, Crownlock 3/8-16
19	19131611	Washer 13/32 x 1 x 11 Ga.
20	109228X	Lever, Lock, Handle
21	150628	Handle, Assemble
22	165197	Clip, Plastic, Cable
23	86777	Screw, Hex, Washer Hd, Slotted #10-24 x 1/2
24	9484R	Clip
25	73970500	Locknut, Hex, Flange
26	110675X	Clutch, Cable
27	73900400	Nut, Lock 1/4-20
31	150696	Bolt, Pivot

**NOTE:** All component dimensions given in U.S. inches.  
1 inch = 25.4 mm

# REPAIR PARTS

## TILLER -- MODEL NUMBER 917.290020

### MAINFRAME, LEFT SIDE



mainframe\_left\_17

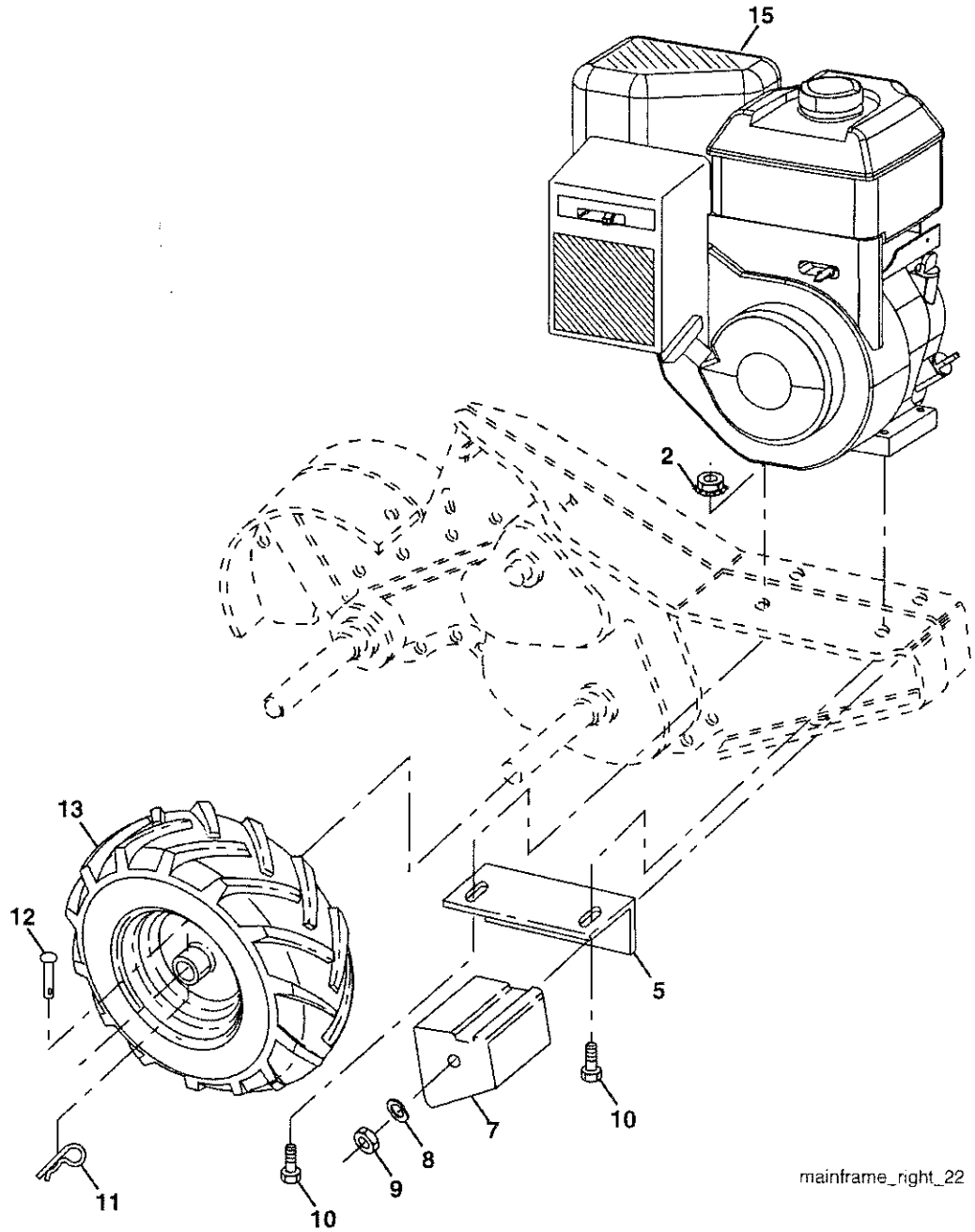
KEY NO.	PART NO.	DESCRIPTION	KEY NO.	PART NO.	DESCRIPTION
2	STD551137	Washer, Lock 3/8	25	4497H	Retainer, Spring
3	STD541037	Nut, Hex 3/8-16	26	165501X613	Guard, Belt
4	170127	Shield, Inner Belt Guard	27	132801	Belt, V
5	164329	Pin Spiral Flared	28	104679X	Pulley, Idler
6	110111X	Lever, Shift	29	12000032	Ring, Klip
7	72110404	Bolt, Carriage 1/4-20 x 1/2 Gr. 5	30	159229	Bracket, Idler
8	8700J	Plate, Shift Indicator	31	102194X	Bolt, Fin Hex 3/8-16 x 10
9	86777	Screw, Hex, Washer Head, Slotted #10-24 x 1/2	32	102141X	Shaft, Idler Arm
10	9484R	Clip	33	STD523710	Bolt, Hex 3/8-16 x 1
12	STD541425	Nut, Hex 1/4-20	34	102173X	Counterweight
13	23230506	Screw, Set, 5/16-18 x 3/8	35	74760524	Bolt, Hex 5/16-18 x 1-1/2
14	156117	Spacer, Split .327 x .42 x 1.220	36	102331X	Bracket, Reinforcement, L.H.
15	STD551031	Washer 11/32 x 11/16 x 16 Ga.	37	130812	Sheave, Engine
16	145102	Sheave, Transmission	38	74760544	Bolt, Fin Hex 5/16-18 x 2-3/4
19	12000028	Ring, Retainer	39	140062	Cap, Plunger
21	110652X	Spacer, Split .327 x .42 x 2.09	40	170488	Screw Hex Wsh. Hd #10-32 x 9/16
22	74770508	Bolt, Fin Hex 5/16-24 x 1/2	44	STD541431	Nut, Lock 5/16-18
23	102190X	Tire	65	73970500	Nut, Lock Hex Flange
	183122X624	Rim	66	19131312	Washer
	795R	Tire Valve			
24	126875X	Rivet, Drilled			

**NOTE:** All component dimensions given in U.S. inches.  
1 inch = 25.4 mm

# REPAIR PARTS

## TILLER - - MODEL NUMBER 917.290020

### MAINFRAME, RIGHT SIDE



mainframe\_right\_22

KEY NO.	PART NO.	DESCRIPTION
2	73970500	Locknut, Hex, Flange 5/16-18
5	102332X	Bracket, Reinforcement
7	102173X	Counter Weight
8	STD551137	Washer, Lock 3/8
9	STD541037	Nut, Hex 3/8-16
10	74760524	Bolt, Hex 5/16-18 x 1-1/2
11	4497H	Retainer, Spring
12	126875X	Rivet, Drilled

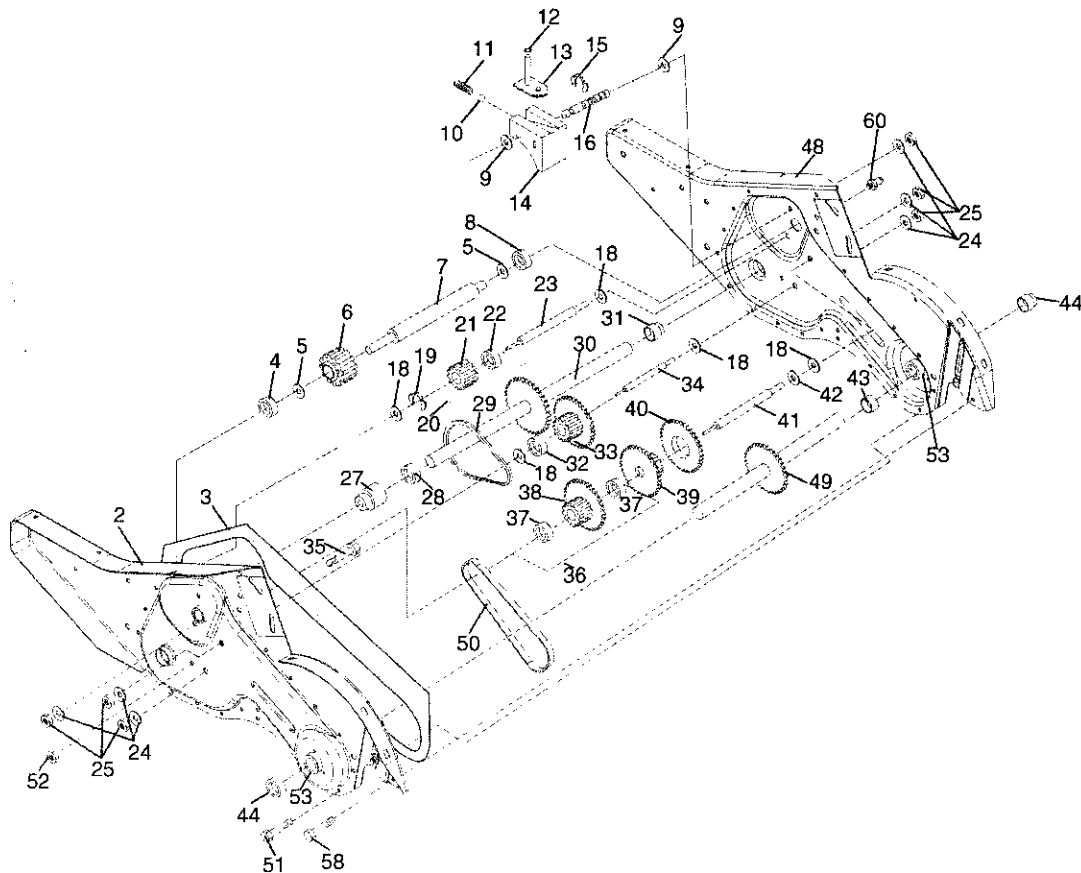
KEY NO.	PART NO.	DESCRIPTION
13	102190X	Tire
	183122X624	Rim
	795R	Tire Valve
15	-----	Engine, (See Breakdown) Briggs Model No. 126302-0421-B1

**NOTE:** All component dimensions given in U.S.inches.  
1 inch = 25.4 mm

# REPAIR PARTS

## TILLER - - MODEL NUMBER 917.290020

### TRANSMISSION



transmission\_19.5b

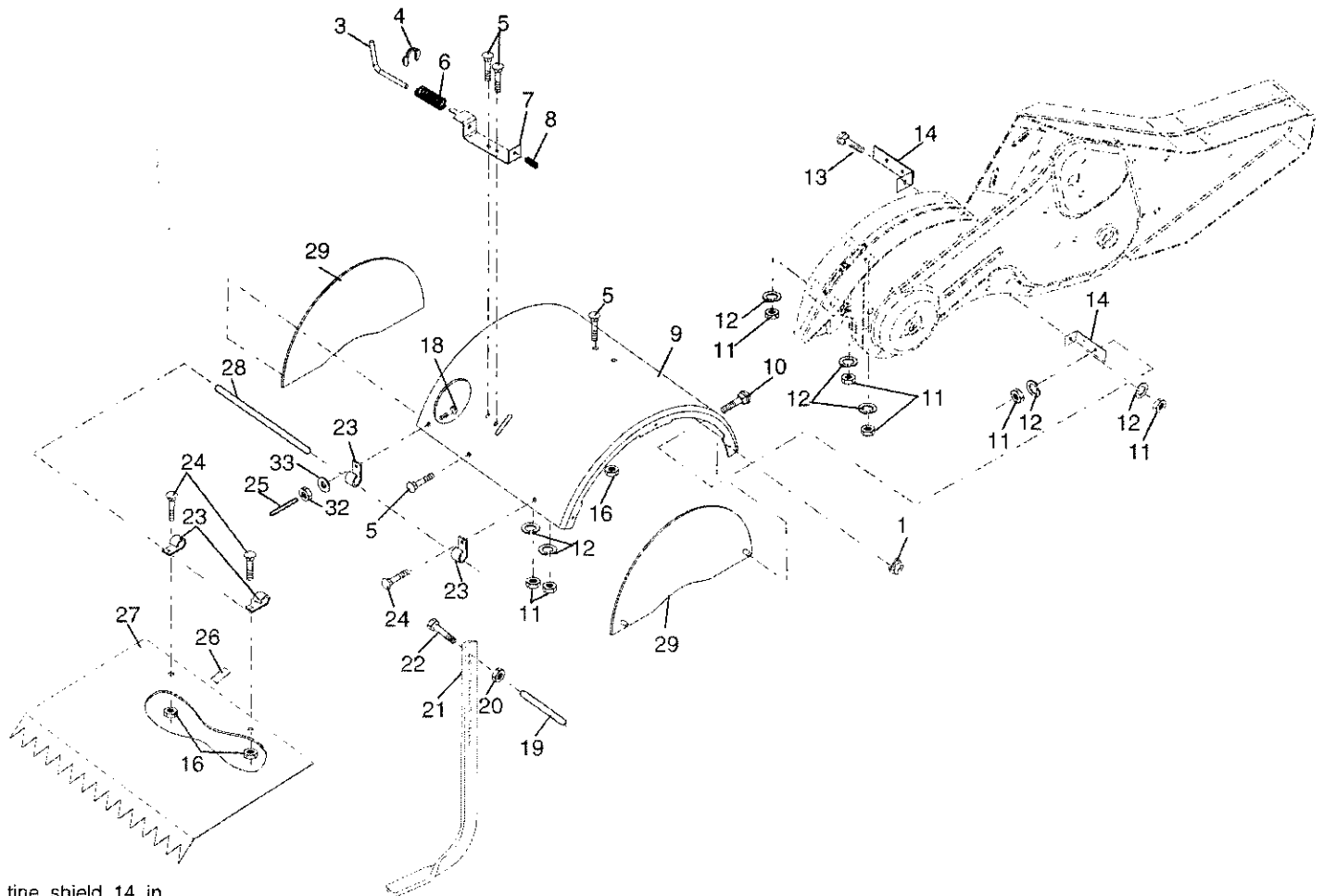
KEY NO.	PART NO.	DESCRIPTION	KEY NO.	PART NO.	DESCRIPTION
1	188554	Transmission Assembly (Includes Key Nos. 2-52)	30	150737	Ground Shaft Assembly
2	188482	Gearcase, L.H. w/Bearing (Includes Key No. 4)	31	143008	Bearing, Shaft, Ground Drive R.H.
3	161963	Gasket, Gearcase	32	106388X	Spacer 0.70 x 1.00 x 1.150
4	5020J	Bearing, Needle	33	102121X	Sprocket and Gear Assembly
5	1370H	Washer, Thrust 5/8 x 1.10 x 1/32	34	102112X	Shaft, Reduction (2nd)
6	137335	Pinion, Input	35	102101X	Screw, Whiz, Lock 5/16-18 x 3-1/2
7	145101	Shaft, Input	36	154355	Sprocket Assembly w/Bearing (Includes Key Nos. 37 and 38)
8	4895H	Bearing, Needle	37	4422J	Bearing, Needle
9	154467	Washer, Seal	38	154356	Sprocket, Tine
10	7392M	Ball, Steel	39	105345X	Gear, Cluster, Red 1st & 2nd
11	100371K	Spring, Shift, Fork	40	105346X	Gear, Reverse
12	106160X	O-Ring	41	8358J	Shaft, Reduction (1st)
13	142145	Arm, Shift	42	4220R	Washer, Thrust
14	8353J	Fork, Shift	43	106146X	Spacer 1.01 x 1.75 x 0.760
15	12000039	Ring, Klip	44	155236	Seal Asm. Oil
16	154466	Shaft, Shift	48	188485	Gearcase, R.H. w/Bearing (Includes Key No. 8)
18	4358J	Washer	49	132688	Shaft, Tine
19	12000040	Ring, Klip	50	106147X	Chain, Roller #50-50 Pitch
20	102114X	Gear, Assembly, Reverse Idler (Includes Key Nos. 21 and 22)	51	17720408	Screw 1/4-20 x 1/2
21	102115X	Gear, Reverse Idler	52	STD541031	Nut, Hex 5/16-18
22	6803J	Bearing, Needle	53	165140	Bearing Kit, Tine Shaft
23	102111X	Shaft, Reverse Idler	58	179520	Shoulder Bolt
24	STD551143	Washer, Lock 7/16	60	183226	Fitting Grease
25	STD541143	Nut, Hex 7/16-20	--	6066J	Grease, Plastilube #1
27	143009	Bearing, Shaft, Ground Drive L.H.			
28	106390X	Spacer 0.765 x 1.125 x 1.23			
29	102134X	Chain #35-50 Pitch			

**NOTE:** All component dimensions given in U.S. inches.  
1 inch = 25.4 mm

# REPAIR PARTS

## TILLER - - MODEL NUMBER 917.290020

### TINE SHIELD



tine\_shield\_14\_in

KEY NO.	PART NO.	DESCRIPTION
1	73900500	Nut, Lock Hex Flg 5/16-18 unc
3	8393J	Pin, Stake, Depth
4	12000035	Ring, Klip
5	180847	Bolt Rdhd Sqnk 5/16-18 x 3/4 Znc
6	8394J	Spring
7	8392J	Bracket, Latch
8	109230X	Spring, Depth Stake
9	102152X613	Shield, Tine
10	STD533110	Bolt, Carriage 5/16-18 x 1 Gr. 5
11	STD541031	Nut, Hex 5/16-18
12	STD551131	Washer, Lock 5/16
13	STD533112	Bolt, Carriage 5/16-18 x 1-1/4
14	124343X	Bracket, Shield Tine
16	73900400	Nut, Flange lock 1/4-20
18	STD532512	Bolt, Carr. 1/4-20 x 1-1/4 Gr. 5
19	102701X	Grip
20	STD541037	Nut, Hex 3/8-16

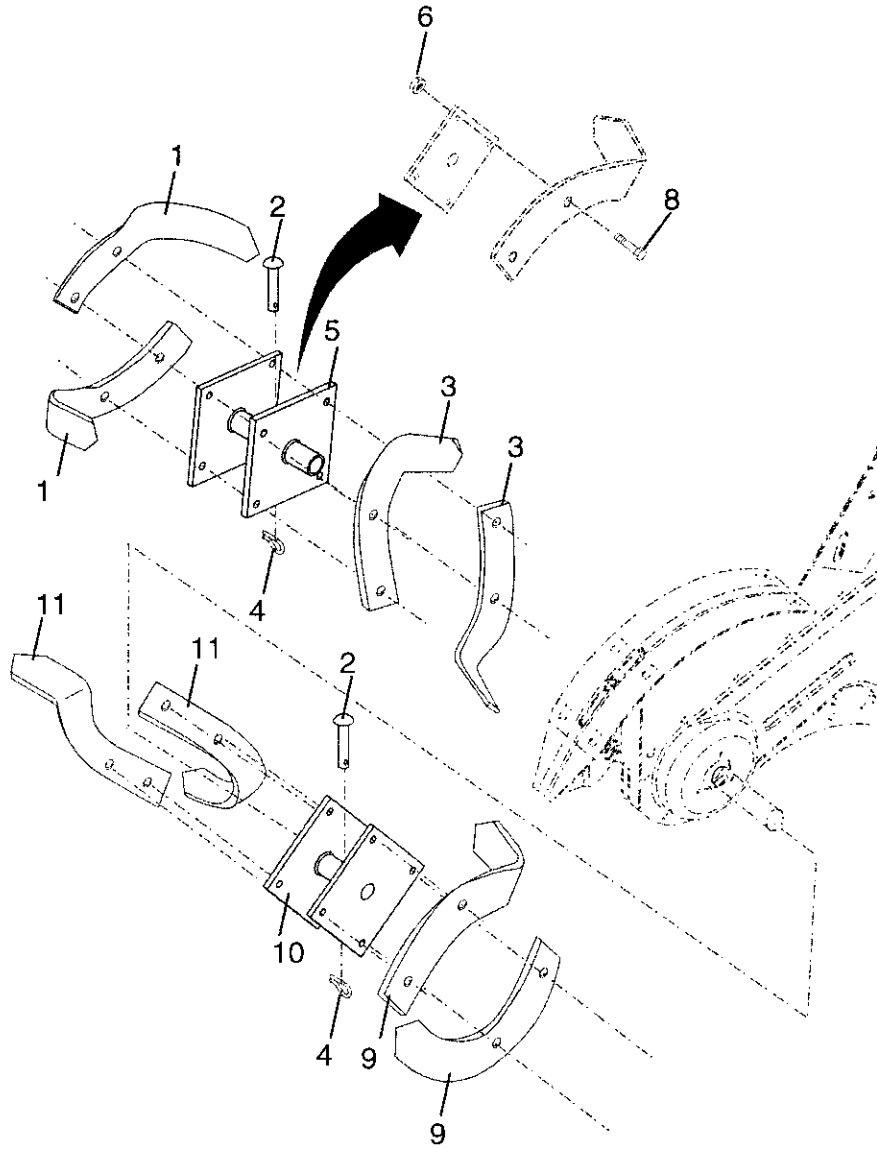
KEY NO.	PART NO.	DESCRIPTION
21	102156X	Stake, Depth
22	74930632	Bolt, Hex 3/8-16 x 2
23	4440J	Hinge
24	STD532505	Bolt, Carriage 1/4-20 x 1/2
25	6712J	Cap, Vinyl
26	109227X	Pad, Idler
27	102686X613	Shield, Leveling
28	120588X	Pin, Hinge
29	197761X613	Shield, Side
32	73220400	Nut, Fin, Hex 1/4-20 unc
33	STD551125	Washer Lock Hvy Helical 1/4

**NOTE:** All component dimensions given in U.S. inches.  
1 inch = 25.4 mm

# REPAIR PARTS

## TILLER -- MODEL NUMBER 917.290020

### TINE ASSEMBLY



tine\_ipb\_99\_2

KEY NO.	PART NO.	DESCRIPTION
1	4459J	Tine, Outer, L.H.
2	132673	Pin, Shear
3	6554J	Tine, Inner, L.H.
4	3146R	Clip, Hairpin
5	132721	Assembly, Hub and Plate, L.H.
6	73540600	Nut Crownlock 3/8-24

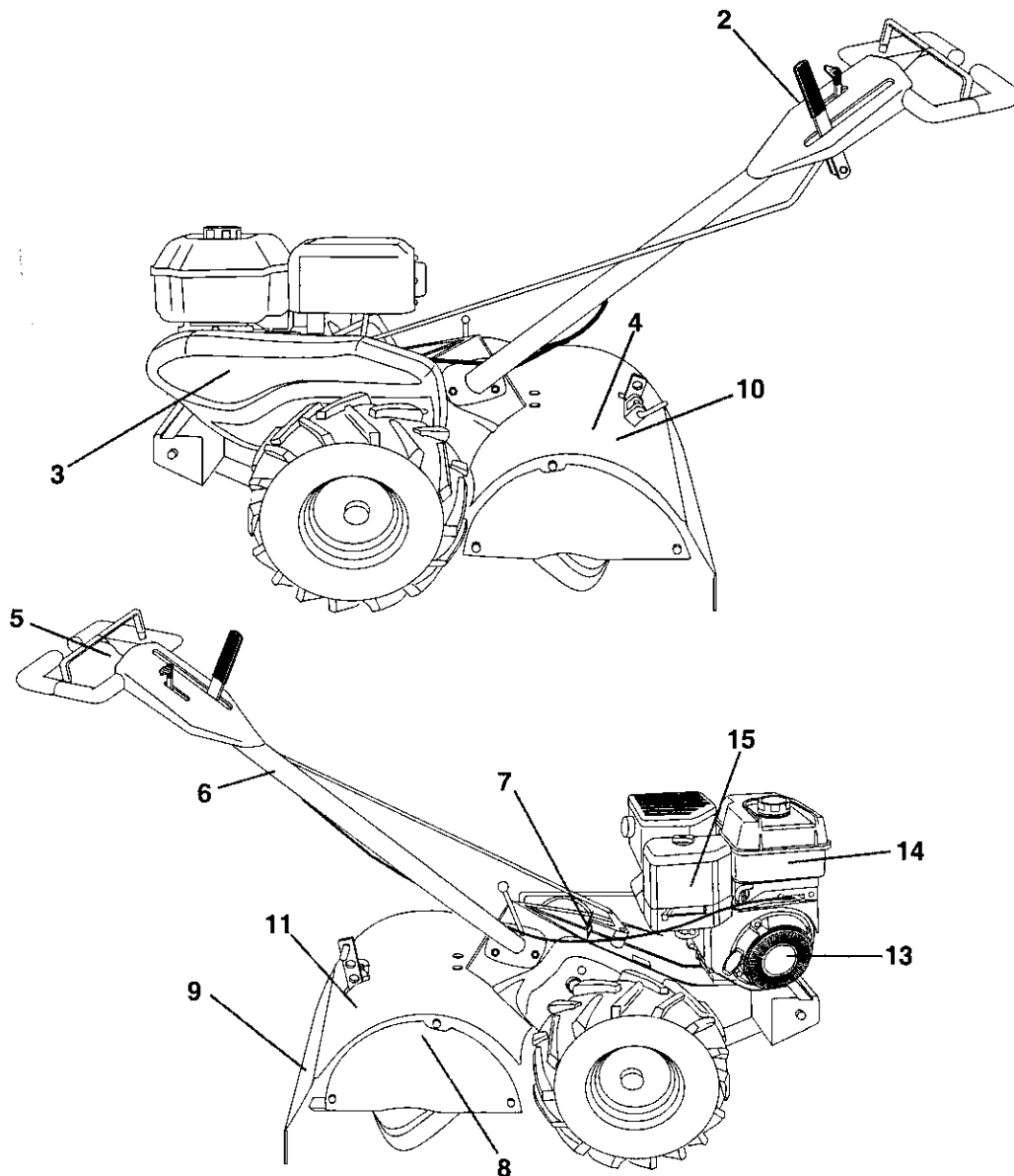
KEY NO.	PART NO.	DESCRIPTION
8	74610616	Bolt, Hex 3/8-24 x 1
9	4460J	Tine, Outer, R.H.
10	132722	Assembly, Hub and Plate, R.H.
11	6555J	Tine, Inner, R.H.

**NOTE:** All component dimensions given in U.S. inches.  
1 inch = 25.4 mm

# REPAIR PARTS

## TILLER - - MODEL NUMBER 917.290020

### DECALS



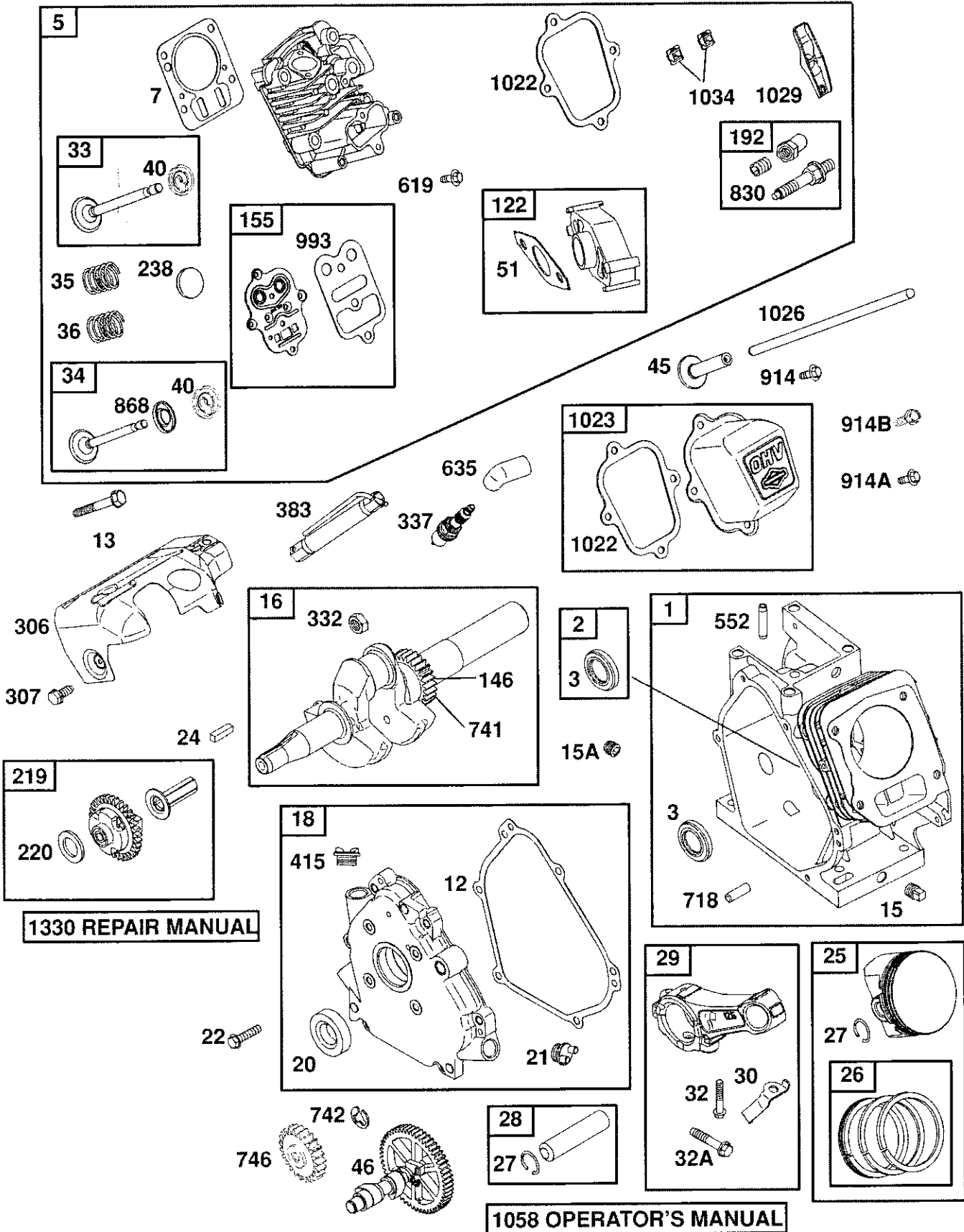
KEY NO.	PART NO.	DESCRIPTION
2	412922	Decal, Panel Control
3	412920	Decal, Blt Guard
4	404444	Decal, Description
5	196622	Decal, Caution, Drive Control
6	159877	Decal, Hand Placement
7	102180X	Decal, Shift Indicator
8	196655	Decal, Tine, Shield, Counter Rotating Tines
9	176557	Decal, Warning
10	196624	Decal, Tine Depth Stake
11	145437	Decal, Euro
13	171078	Decal, Rewind
14	167156	Decal, Craftsman IC
15	194689	Decal, Engine
--	412876	Manual, Operator's (Euro)
--	412877	Manual, Operator's (Scand)
--	412878	Manual, Parts



# REPAIR PARTS

TILLER -- MODEL NUMBER 917.290020

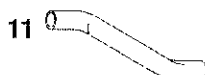
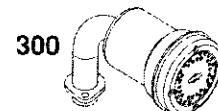
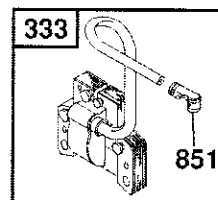
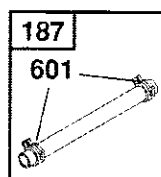
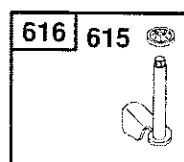
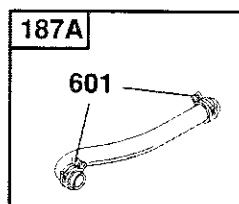
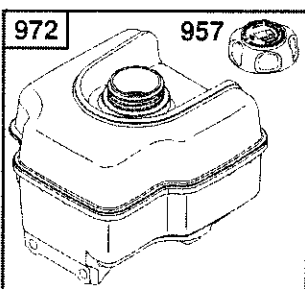
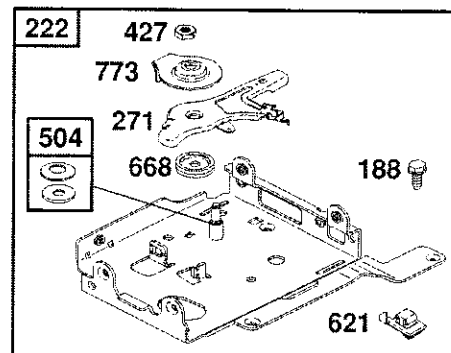
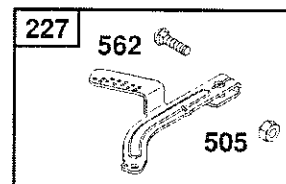
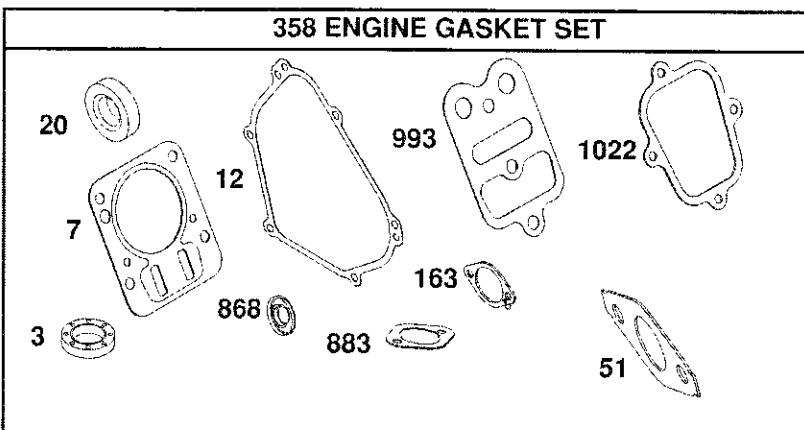
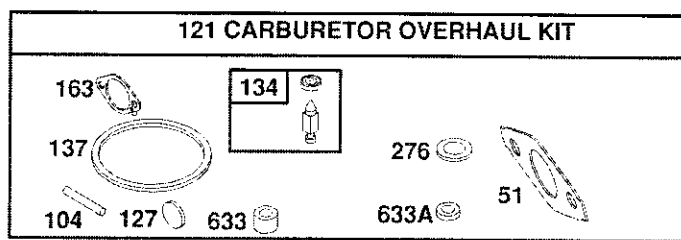
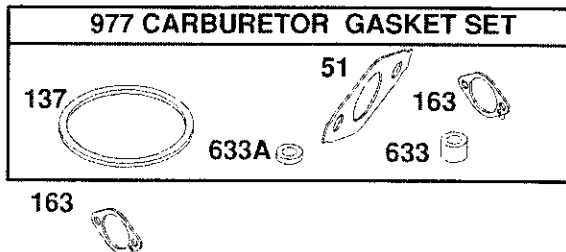
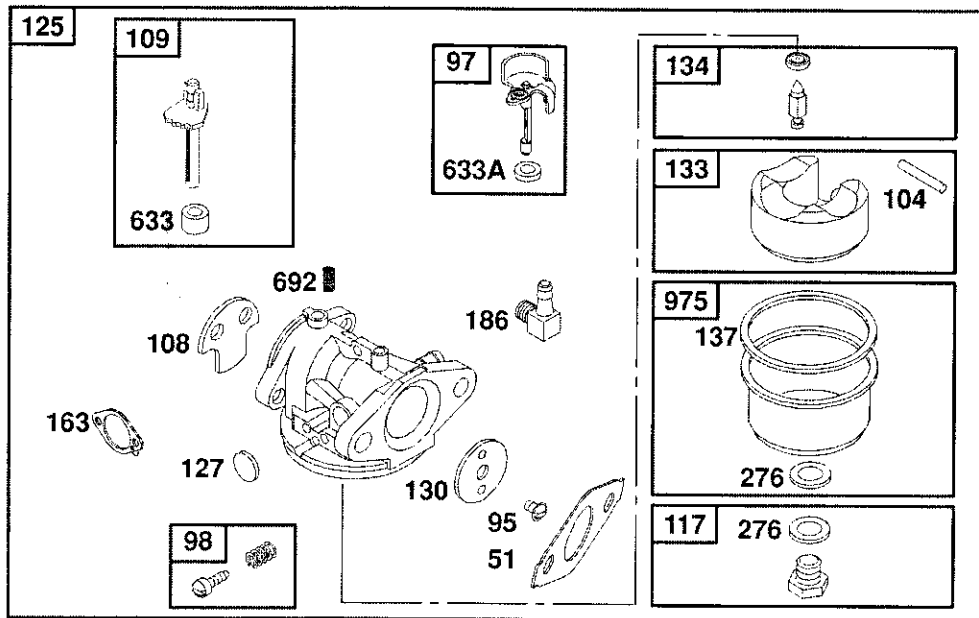
ENGINE, BRIGGS & STRATTON -- MODEL NUMBER 126302, TYPE NO. 0421-B1



# REPAIR PARTS

TILLER -- MODEL NUMBER 917.290020

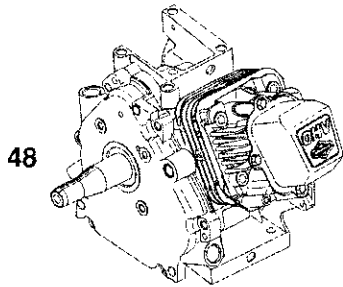
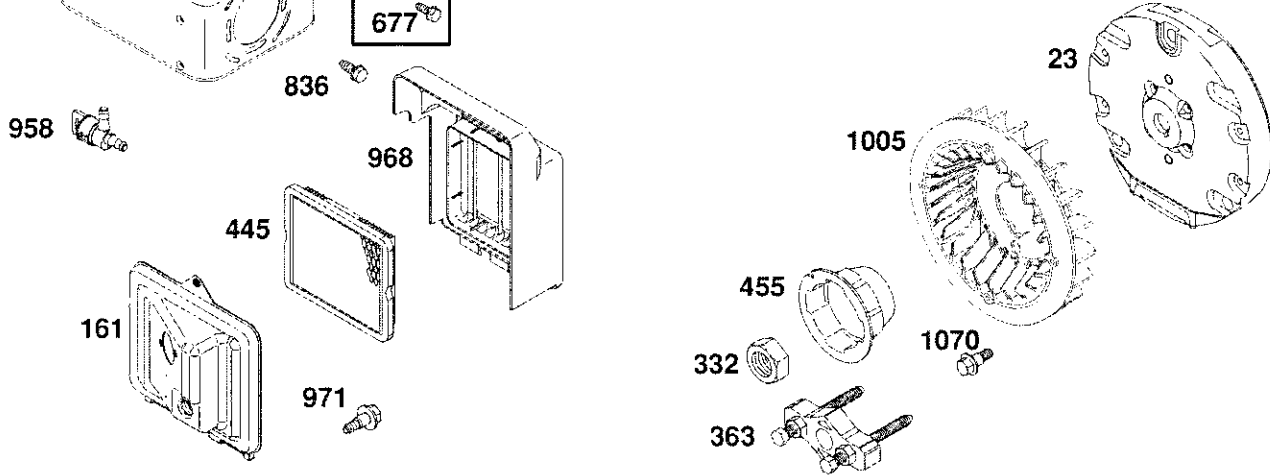
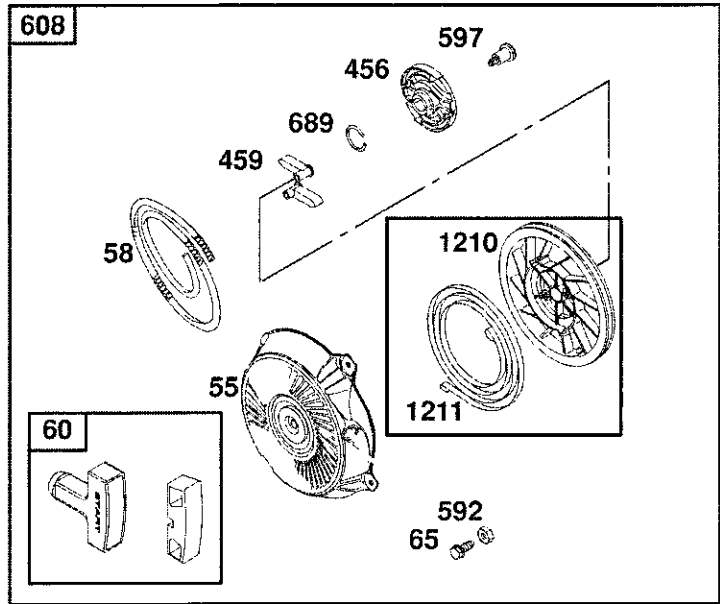
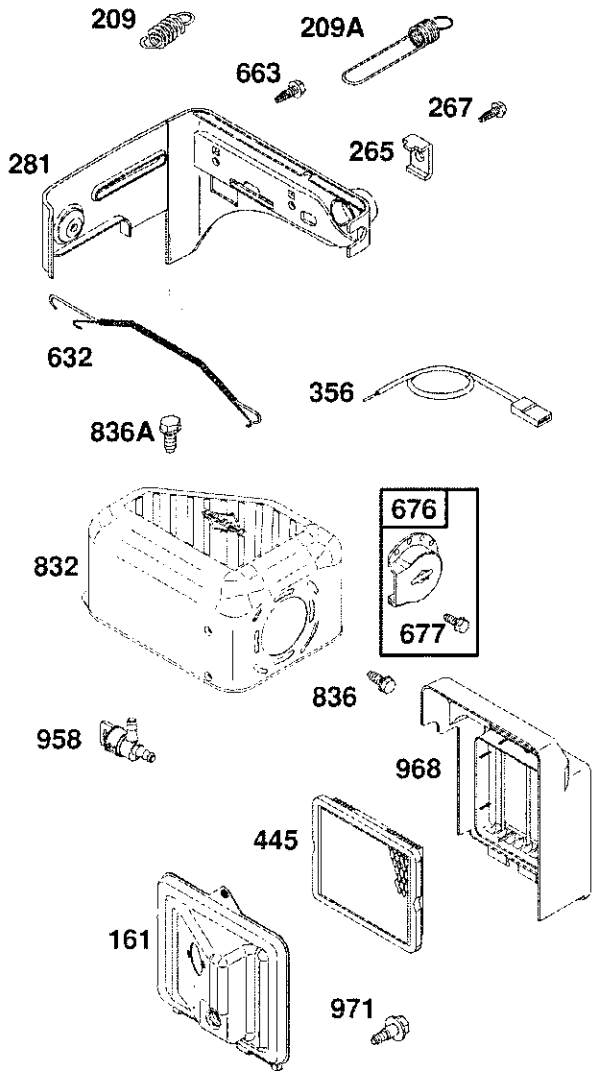
ENGINE, BRIGGS & STRATTON -- MODEL NUMBER 126302, TYPE NO. 0421-B1



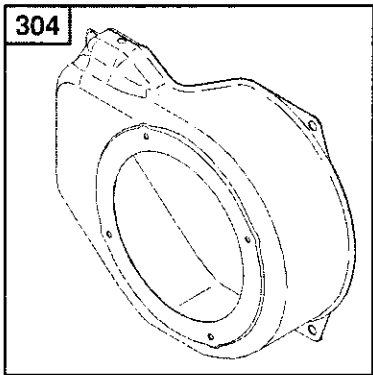
# REPAIR PARTS

TILLER -- MODEL NUMBER 917.290020

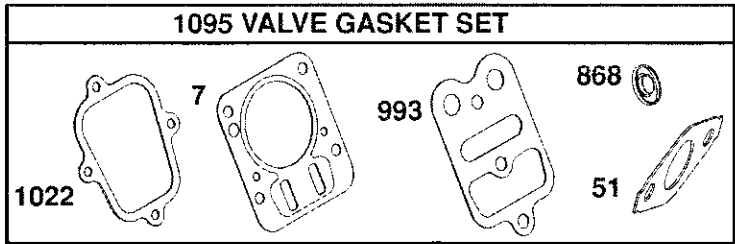
ENGINE, BRIGGS & STRATTON -- MODEL NUMBER 126302, TYPE NO. 0421-B1



1036 EMISSIONS LABEL  
1329 REPLACEMENT ENGINE



305



# REPAIR PARTS

## TILLER - - MODEL NUMBER 917.290020

### ENGINE, BRIGGS & STRATTON -- MODEL NUMBER 126302, TYPE NO. 0421-B1

KEY NO.	PART NO.	DESCRIPTION	KEY NO.	PART NO.	DESCRIPTION
1	699510	Cylinder Assembly	155	698214	Plate-Cylinder Head
2	399269	Kit-Bushing/Seal (Magneto Side)	161	790631	Base-Air Cleaner
3	299819S	• Seal-Oil (Magneto Side)	163	696024	Gasket-Air Cleaner
5	699486	Head-Cylinder	186	692317	Connector-Hose
7	698210	•+ Gasket-Cylinder Head	187	791766	Line-Fuel (Cut to Required Length)
11	790632	Tube-Breather	187A	791867	Line-Fuel (Molded)
12	699485	• Gasket-Crankcase	188	699479	Screw (Control Bracket)
13	699482	Screw (Cylinder Head)	190	699220	Screw (Fuel Tank)
15	691686	Plug-Oil Drain	192	694543	Adjustor-Rocker Arm
15A	691682	Plug-Oil Drain	209	691278	Spring-Governor
16	699445	Crankshaft	209A	692571	Spring-Governor
18	699696	Cover-Crankcase	219	693578	Gear-Governor
20	692550	• Seal-Oil (PTO Side)	220	691724	Washer (Governor Gear)
21	281658S	Cap-Oil Fill	222	793107	Bracket-Control
22	699478	Screw (Engine Sump)	227	692573	Control Lever-Governor
23	699488	Flywheel	238	691300	Cap-Valve
24	222698S	Key-Flywheel	265	691024	Clamp-Casing
25	791097	Piston Assembly (Standard)	267	699492	Screw (Casing Clamp)
	791326	Piston Assembly (.020" Oversize)	271	694256	Lever-Control
26	791969	Ring Set (Standard)	276	271716	Ø Sealing Washer
	791324	Ring Set (.020" Oversize)	281	793122	Panel-Control
27	691866	Lock-Piston Pin	300	693593	Muffler
28	499423	Pin-Piston	304	699598	Housing-Blower
29	690124	Rod-Connecting	305	699480	Screw (Blower Housing)
30	692562	Dipper-Connecting Rod	306	693610	Shield-Cylinder
32	691664	Screw (Connecting Rod)	307	699483	Screw (Cylinder Shield)
32A	695759	Screw (Connecting Rod)	332	699359	Nut (Flywheel)
33	499642	Valve-Exhaust	333	695711	Armature-Magneto
34	499641	Valve-Intake	334	699477	Screw (Armature Magneto)
35	691304	Spring-Valve (Intake)	337	691043	Spark Plug
36	691304	Spring-Valve (Exhaust)	356	692390	Wire-Stop
40	692194	Retainer-Valve	358	791797	Engine Gasket Set
45	690977	Tappet-Valve	363	19069	Flywheel Puller
46	693404	Camshaft	365	699484	Screw (Carburetor)
48	791518	Short Block	383	19374S	Wrench-Spark Plug
51	692555	• Ø‡+ Gasket-Intake	415	693463	Plug
55	691422	Housing-Rewind Starter	427	694255	Nut (Control Bracket)
58	693389	Rope-Starter (Cut to Required Length)	445	491588S	Filter-Air Cleaner Cartridge
60	691915	Grip-Starter Rope	455	692591	Cup-Flywheel
65	690837	Screw (Rewind Starter)	456	692299	Plate-Pawl Friction
95	691636	Screw (Throttle Valve)	459	281505S	Pawl-Ratchet
97	690024	Shaft-Throttle	504	694254	Washer Set
98	398185	Kit-Idle Speed	505	691251	Nut (Governor Control Lever)
104	691242	Ø Pin-Float Hinge	552	692346	Bushing-Governor Crank
108	692567	Valve-Choke	562	691112	Bolt (Governor Control Lever)
109	790624	Shaft-Choke	592	690800	Nut (Rewind Starter)
117	498978	Jet-Main (Standard)	597	691696	Screw (Pawl Friction Plate)
118	497466	Jet-Main (High Altitude)	601	791850	Clamp-Hose
121	792006	Kit-Carburetor Overhaul	608	693394	Starter-Rewind
122	693749	Spacer-Carburetor	613	791972	Screw (Muffler)
125	791077	Carburetor	615	692576	Retainer-Governor Shaft
127	691739	Ø Plug-Welch	616	699480	Crank-Governor
130	691181	Valve-Throttle	619	699230	Screw (Cylinder Head Plate)
133	398187	Float-Carburetor	621	692310	Switch-Stop
134	398188	Ø Kit-Needle/Seat	632	693408	Spring/Link-Mechanical Governor
137	693981	Ø‡ Gasket-Float Bowl	633	693867	Ø‡ Seal-Choke/Throttle Shaft
146	690979	Key-Timing	633A	691321	Ø‡ Seal-Throttle Shaft

# REPAIR PARTS

TILLER - - MODEL NUMBER 917.290020

ENGINE, BRIGGS & STRATTON -- MODEL NUMBER 126302, TYPE NO. 0421-B1

KEY	PART	
NO.	NO.	DESCRIPTION
635	692076	Boot-Spark Plug
663	699206	Screw (Control Panel)
668	694257	Spacer
676	393757	Deflector-Muffler
677	690661	Screw (Muffler Deflector)
689	691855	Spring-Friction
692	690572	Spring-Detent
718	690959	Pin-Locating
741	695087	Gear-Timing
742	692564	Retainer-E Ring
746	692566	Gear-Idler
773	694258	Retainer
830	694544	Stud (Rocker Arm)
832	693583	Guard-Muffler
836	699203	Screw (Muffler Guard)
836A	699632	Screw (Muffler Guard)
851	493880S	Terminal-Spark Plug
868	692044	•+ Seal-Valve
883	691893	•+ Gasket-Exhaust
914	699480	Screw (Rocker Cover) (Bottom)
914A	692557	Screw (Rocker Cover) (Top)
914B	697551	Screw (Rocker Cover) (Center)
951	790630	Lever-Choke
957	694261	Cap-Fuel Tank
958	698180	Valve-Fuel Shut Off
968	791082	Cover-Air Cleaner
971	690370	Screw (Air Cleaner Base)
972	694260	Tank-Fuel
975	493640	Bowl-Float
977	792007	Set-Carburetor Gasket
993	694088	•+ Gasket-Cylinder Head Plate
1005	692592	Fan-Flywheel
1022	691890	•+ Gasket-Rocker Cover
1023	499924	Cover-Rocker
1026	790287	Rod-Push
1029	691230	Arm-Rocker
1034	691343	Guide-Push Rod
1036		Label-Emissions (Available from a Briggs & Stratton Authorized Dealer)
1058	275092	Operator's Manual
1070	699201	Screw (Flywheel Fan)
1095	791798	Set-Valve Gasket
1210	498144	Assembly-Pulley/Spring (Pulley)
1211	498144	Assembly-Pulley/Spring (Spring)
1329	121302-0520	Replacement Engine (Replacement Engine listed is not available in the State of California. Repair with individual parts.)
1330	272147	Repair Manual

- Included in Engine Gasket Set, Key. No. 358
- ∅ Included in Carburetor Overhaul Kit, Key. No. 121
- ‡ Included in Carburetor Gasket Set, Key. No. 977
- + Included in Valve Gasket Set, Key. No. 1095

**NOTE:** All component dimensions given in U.S. inches 1 inch  
= 25.4 mm

---

# SERVICE NOTES

---

---

# SERVICE NOTES

---

## **LIMITED ONE YEAR WARRANTY ON CRAFTSMAN TILLER**

For one year from date of purchase, when this Craftsman Tiller is maintained, lubricated, and tuned up according to the operating and maintenance instructions in the owner's manual, Sears will repair free of charge any defect in material or workmanship.

This Warranty does not cover:

- Expendable items which become worn during normal use, such as tines, spark plugs, air cleaners and belts.
- Repairs necessary because of operator abuse or negligence, including bent crankshafts and the failure to maintain the equipment according to the instructions contained in the owner's manual.
- If this Craftsman Tiller is used for commercial or rental purposes, this Warranty applies for only 30 days from the date of purchase.

WARRANTY SERVICE IS AVAILABLE BY RETURNING THE CRAFTSMAN TILLER TO THE NEAREST SEARS SERVICE CENTER/DEPARTMENT IN THE UNITED STATES. THIS WARRANTY APPLIES ONLY WHILE THIS PRODUCT IS IN USE IN THE UNITED STATES.

This Warranty gives you specific legal rights, and you may also have other rights which vary from state to state.

SEARS, ROEBUCK AND CO., D/817WA, HOFFMAN ESTATES, IL 60179

**CRAFTSMAN®**