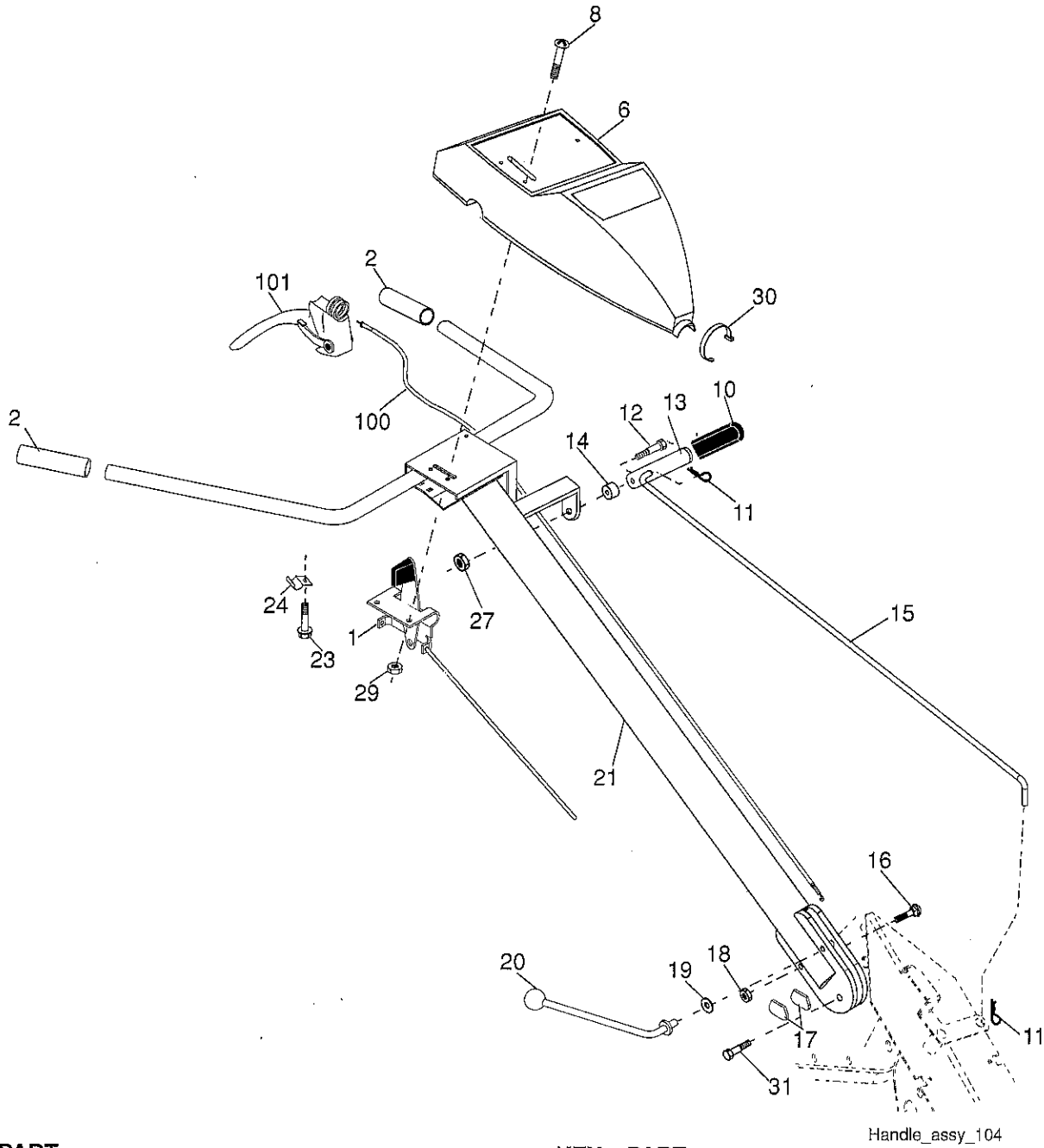


**REPAIR PARTS MANUAL**  
**MODEL NO. 290046**  
**800 Series 17 Inch**  
**Tiller**



# TILLER - - MODEL NUMBER 917.290046

## HANDLES



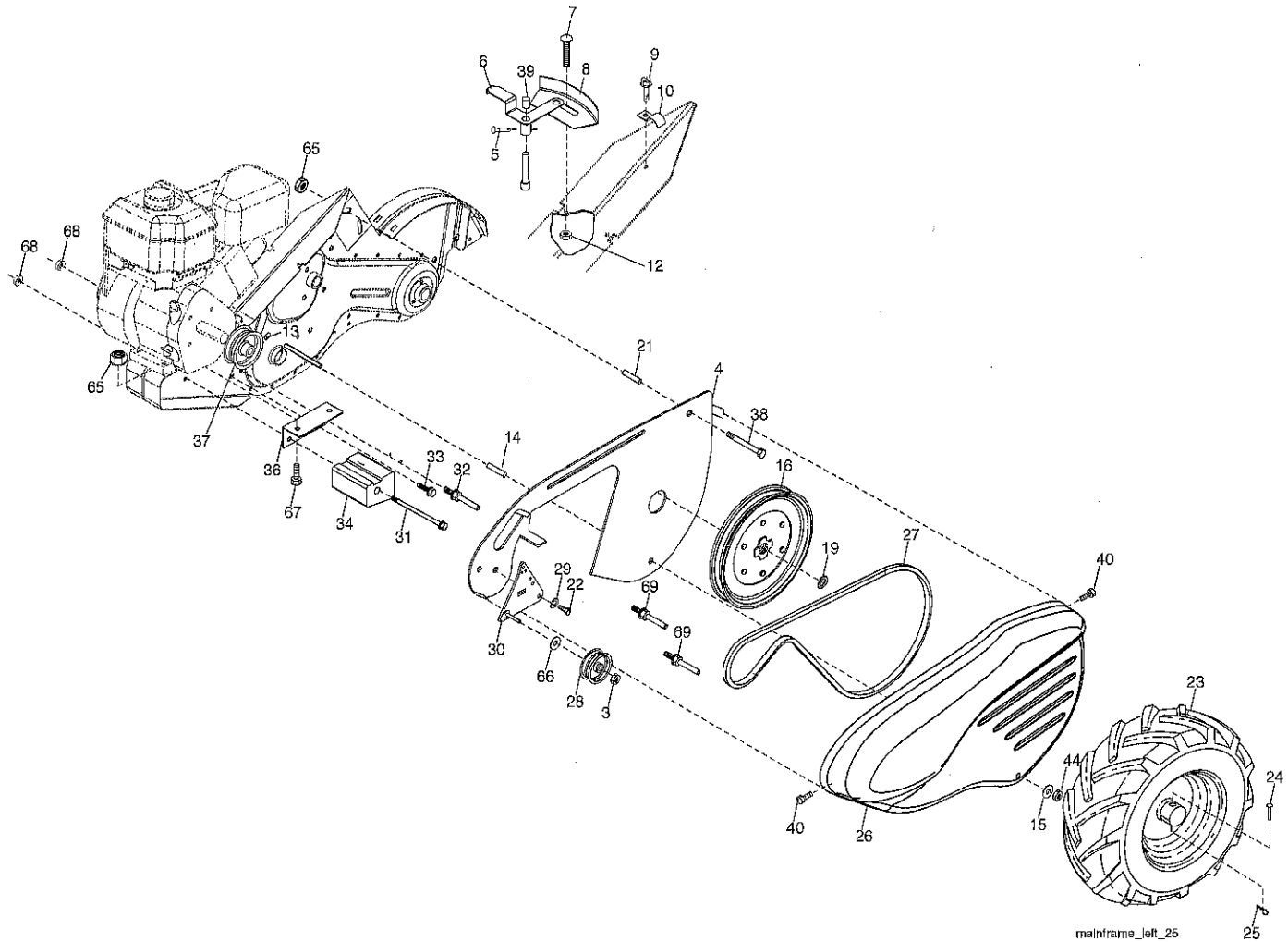
KEY NO.	PART NO.	DESCRIPTION
1	189482	Control, Throttle
2	427643	Grip, Handle
6	180678	Panel, Control
8	71191008	Screw, Phd. #10-24
10	8206H	Grip, Handle
11	4497H	Clip, Hairpin
12	81328	Bolt, Shoulder
13	187497	Handle, Shift
14	109313X	Grommet, Rubber
15	109337X	Rod, Shift
16	72110608	Bolt, Carriage 3/8-16 x 1 Gr. 5
17	109229X	Lock, Handle
18	73680600	Nut, Crownlock 3/8-16 unc
19	19131611	Washer 13/32 x 1 x 11 Ga.

KEY NO.	PART NO.	DESCRIPTION
20	109228X	Lever, Lock, Handle
21	180517	Handle
23	86777	Screw, Hex Washer Hd. Slotted #10-24 x 1/2
24	9484R	Clip
27	73900400	Nut Hex Flange 1/4-20 unc
29	73731000	Nut, Keps #10-24 unc
30	104164X	Tie, Cable
31	150696	Bolt, Pivot
100	438795	Cable, Handle
101	438782	Control, Handle

**NOTE:** All component dimensions given in U.S. inches.  
1 inch = 25.4 mm

# TILLER - - MODEL NUMBER 917.290046

## MAINFRAME, LEFT SIDE

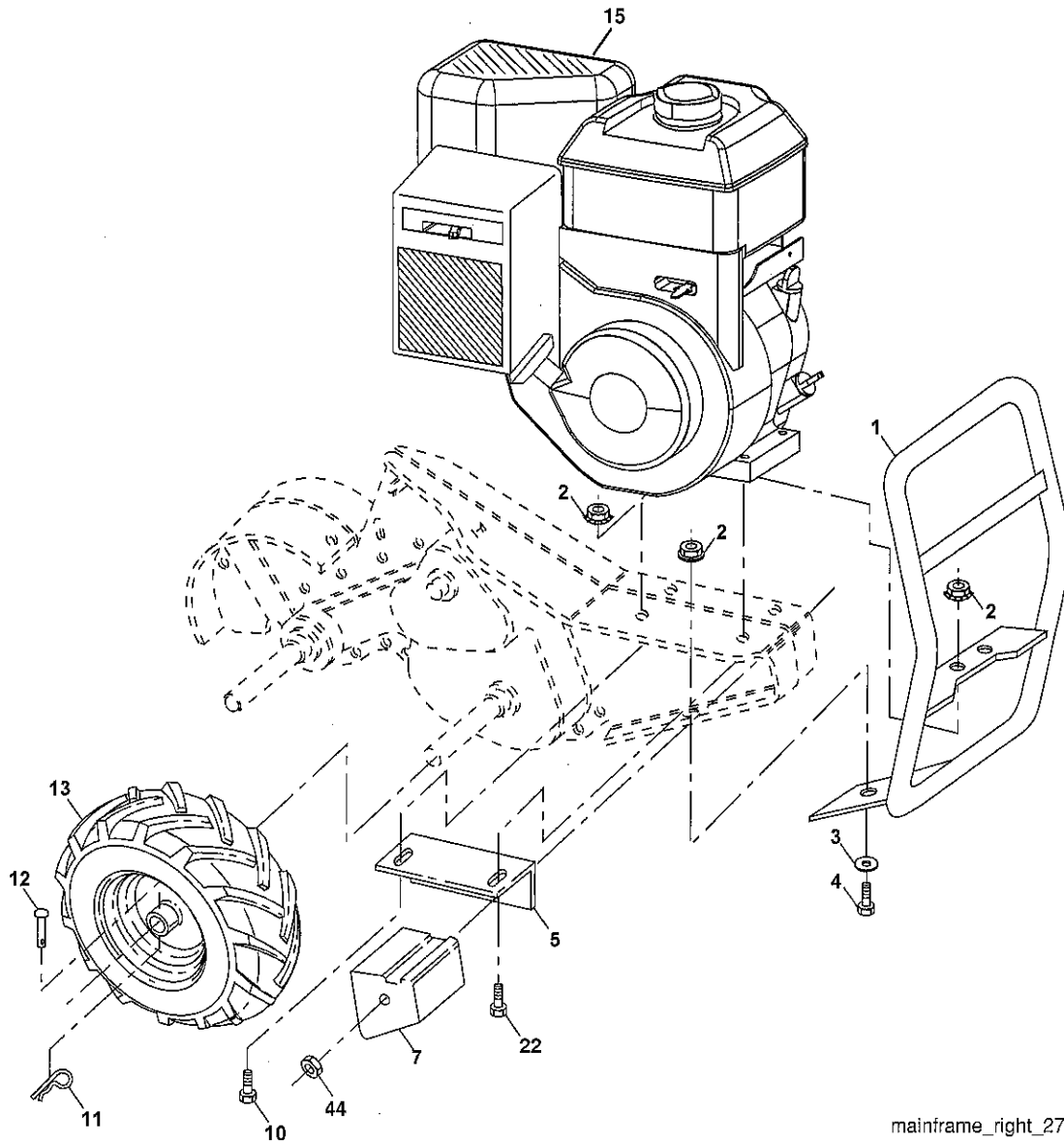


KEY NO.	PART NO.	DESCRIPTION
3	STD541037	Nut, Hex 3/8-16
4	432420	Shield, Inner Belt Guard
5	164329	Pin, Shift Lever
6	162756	Lever, Shift
7	STD532505	Bolt, Carriage 1/4-20 x 1/2 Gr. 5
8	161530	Plate, Shift Indicator
9	86777	Screw, Hex, Washer Head, Slotted #10-24 x 1/2
10	9484R	Clip
12	73510400	Nut, Keps Hex 1/4-20 unc
13	23230506	Screw, Set, 5/16-18 x 3/8
14	110652X	Spacer, Split .327 x .42 x 2.09
15	STD551031	Washer 11/32 x 11/16 x 16 Ga.
16	145102	Sheave, Transmission
19	12000028	Ring, Retainer
21	156117	Spacer, Split .327 x .42 x 1.220
22	74770508	Bolt, Fin Hex 5/16-24 x 1/2
23	102190X	Tire
	183122X613	Rim
	795R	Tire Valve
24	126875X	Rivet, Drilled
25	STD624008	Retainer Spring

KEY NO.	PART NO.	DESCRIPTION
26	165501X428	Guard, Belt
27	132801	Belt, V
28	104679X	Pulley, Idler
29	12000032	Ring, Klip
30	159229	Bracket, Idler
31	102384X	Bolt, Hex 5/16-16 x 12
32	102141X	Shaft, Idler Arm
33	STD523710	Bolt, Hex 3/8-16 x 1
34	102383X	Counterweight, LH
36	102331X	Bracket, Reinforcement, LH
37	130812	Sheave, Engine
38	74760544	Bolt, Fin Hex 5/16-18 x 2-3/4
39	140062	Cap, Plunger
40	170488	Screw Hex Wsh. Slit #10-24 x .50
44	STD541431	Nut, Lock 5/16-18
65	73970500	Nut, Lock Hex Flange
66	19131312	Washer 13/32 x 13/16 x 12 Ga.
67	74760524	Bolt 5/16-18 x 1-1/2
68	73510600	Nut, Keps, Hex 3/8-16 unc
69	164173	Keeper Belt Engine

**NOTE:** All component dimensions given in U.S. inches.  
1 inch = 25.4 mm

**TILLER - - MODEL NUMBER 917.290046**  
**MAINFRAME, RIGHT SIDE**



mainframe\_right\_27

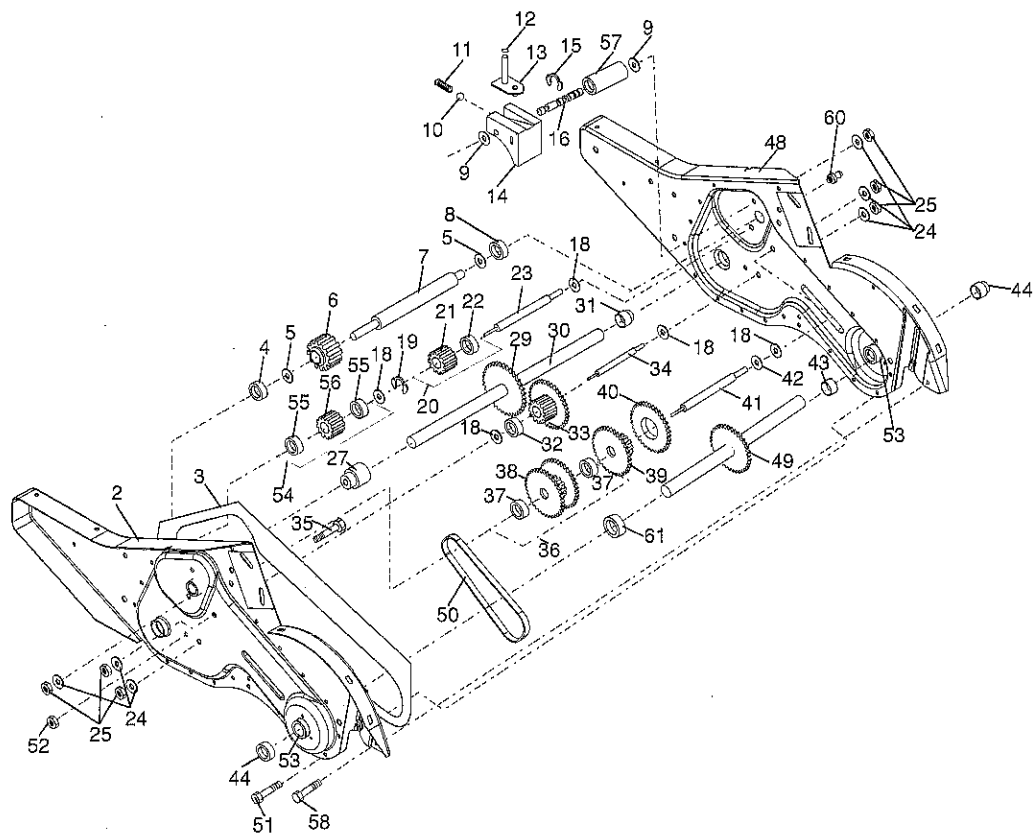
KEY NO.	PART NO.	DESCRIPTION
1	185190	Bumper
2	73970500	Locknut, Hex, Flange 5/16-18
3	STD551031	Washer 11/32 x 11/16 x 16 Ga.
4	74760512	Bolt, Hex 5/16-18 x 3/4
5	102332X	Bracket, Reinforcement
7	102173X	Counter Weight, R.H.
10	74760524	Bolt, Hex 5/16-18 x 1-1/2
11	STD624008	Retainer Spring
12	126875X	Rivet, Drilled
13	102190X	Tire

KEY NO.	PART NO.	DESCRIPTION
	183122X613	Rim
	795R	Tire Valve
15	-----	Engine, (See Breakdown) Briggs Model No. 126302-0421-B1
22	74760528	Bolt, Fin Hex 5/16-18 unc x 1-3/4
44	73510600	Nut, Keps, Hex 3/8-16 unc

**NOTE:** All component dimensions given in U.S.inches.  
 1 inch = 25.4 mm

# TILLER - - MODEL NUMBER 917.290046

## TRANSMISSION



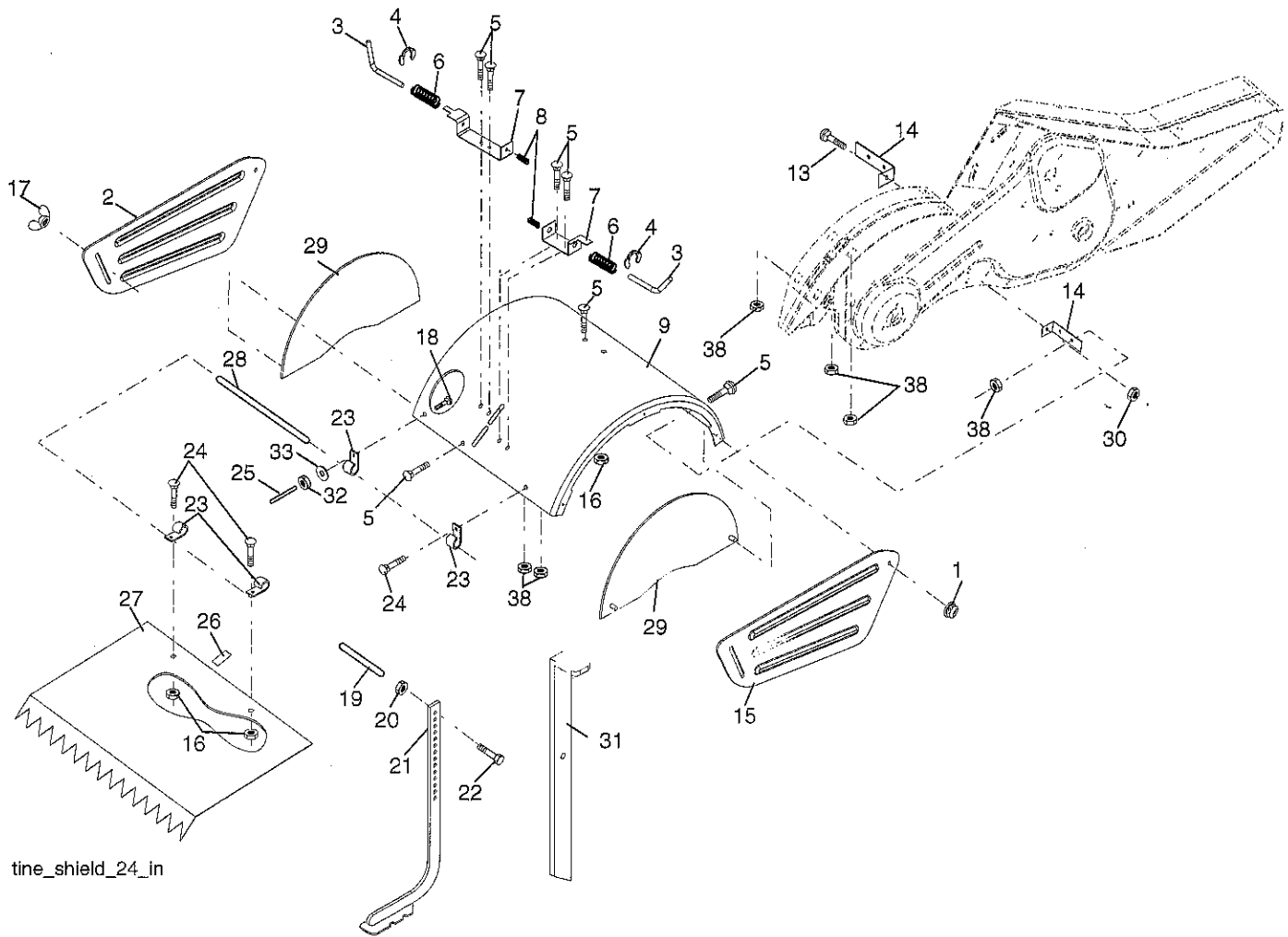
transmission\_14

KEY NO.	PART NO.	DESCRIPTION	KEY NO.	PART NO.	DESCRIPTION
1	188240	Transmission Assembly (Includes Key Nos. 2-52)	33	102121X	Sprocket and Gear Assembly
2	188220	Gearcase, LH w/Bearing (Includes Key No. 4)	34	102112X	Shaft, Reduction (2nd)
3	431022	Gasket, Gearcase	35	102101X	Screw, Whiz, Lock 5/16-18 x 3-1/2
4	5020J	Bearing, Needle	36	161524	Sprocket Assembly w/Bearing (Includes Key Nos. 37 and 38)
5	1370H	Washer, Thrust 5/8 x 1.10 x 1/32	37	100413K	Bearing, Needle
6	161520	Pinion, Input	38	161525	Sprocket, Tine
7	161518	Shaft, Input	39	161526	Gear, Cluster, Red 1st & 2nd
8	4895H	Bearing, Needle	40	105346X	Gear, Reverse
9	154467	Washer, Seal	41	161523	Shaft, Reduction (1st)
10	7392M	Ball, Steel	42	4220R	Washer, Thrust
11	100371K	Spring, Shift, Fork	43	106146X	Spacer 1.01 x 1.75 x 0.760
12	106160X	O-Ring	44	155236	Seal Asm. Oil
13	142145	Arm, Shift	48	188235	Gearcase, R.H. w/Bearing (Includes Key No. 8)
14	8353J	Fork, Shift	49	431485	Shaft, Tine
15	12000039	Ring, Klip	50	106147X	Chain, Roller #50-50 Pitch
16	161516	Shaft, Shift	51	17720408	Screw 1/4-20 x 1/2
18	4358J	Washer	52	73220500	Nut, Hex 5/16-18
19	12000040	Ring, Klip	53	165140	Bearing Kit, Tine Shaft
20	102114X	Gear, Assembly, Reverse Idler (Includes Key Nos. 21 and 22)	54	161528	Gear, DRT Idler w/Bearing (Includes Key No. 55)
21	102115X	Gear, Reverse Idler	55	3400R	Bearing, Needle
22	6803J	Bearing, Needle	56	161529	Gear, DRT Idler
23	161527	Shaft, Reverse Idler	57	165889	Spacer, Split .52 x .64 x 1.04
24	STD551143	Washer, Lock 7/16	58	179520	Screw 1/4-20 x .875
25	STD541143	Nut, Hex 7/16-20	60	183226	Fitting Grease
27	431219	Bearing, Shaft, Ground Drive LH	61	431015	Spacer 1.015 x 1.50 x .650
29	102134X	Chain #35-50 Pitch	--	6066J	Grease, Plastilube #1
30	150737	Ground Shaft Assembly			
31	143008	Bearing, Shaft, Ground Drive R.H.			
32	106388X	Spacer 0.70 x 1.00 x 1.150			

**NOTE:** All component dimensions given in U.S. inches.  
1 inch = 25.4 mm

# TILLER - - MODEL NUMBER 917.290046

## TINE SHIELD



tine\_shield\_24\_in

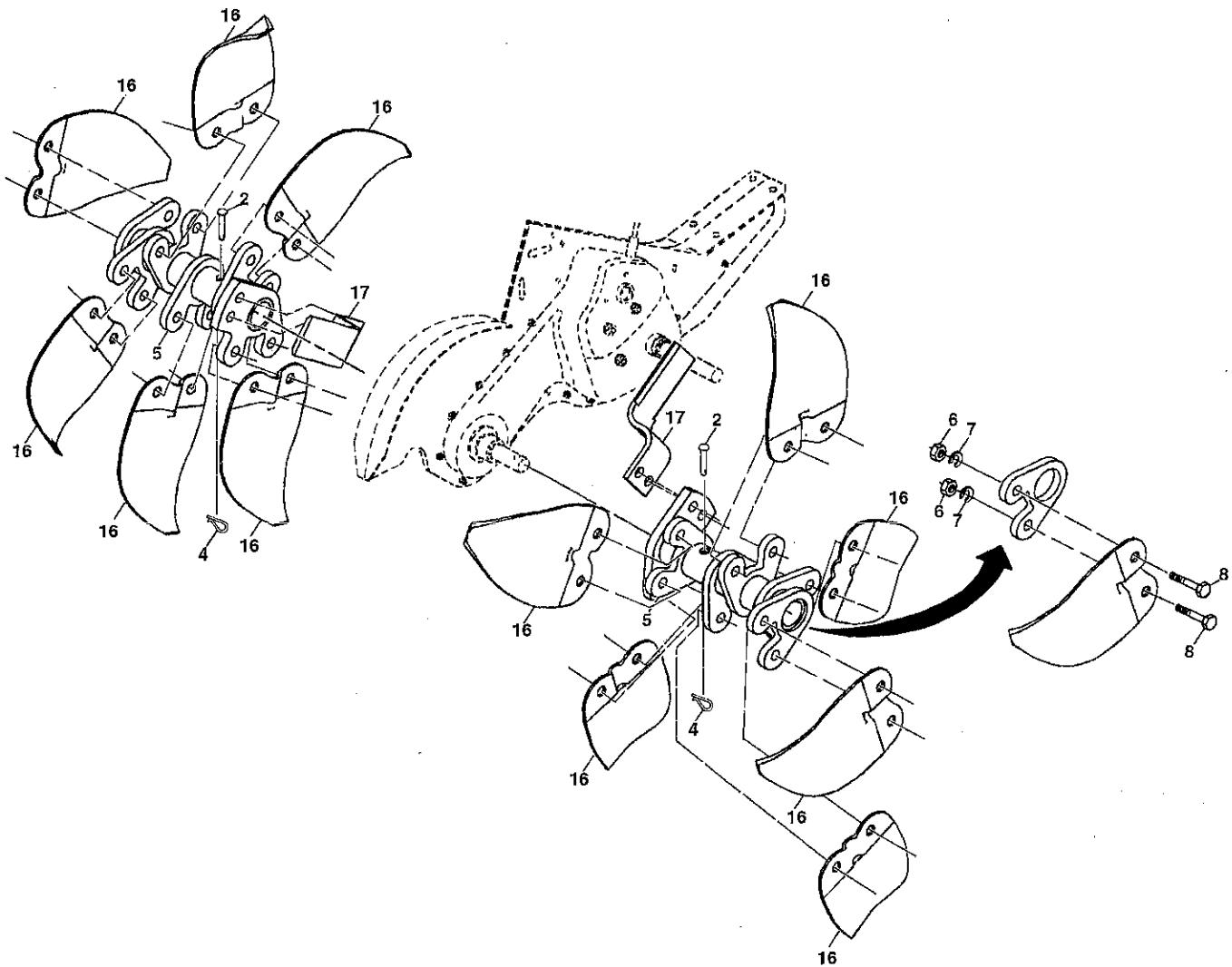
KEY NO.	PART NO.	DESCRIPTION
1	73900500	Nut, Lock Hex Flange 5/16-18 unc
2	161415X428	Shield, Side, Outer L. H.
3	8393J	Pin, Stake, Depth
4	12000035	Ring, Klip
5	180847	Bolt Rdhd Sqnk 5/16-18 x 3/4
6	8394J	Spring
7	8392J	Bracket, Latch
8	109230X	Spring, Depth Stake
9	188862X428	Shield, Tine
13	72110510	Bolt, Carriage 5/16-18 x 1-1/4
14	124343X	Bracket, Shield Tine
15	161414X428	Shield, Side, Outer R.H.
16	73900400	Nut, Hex Flange 1/4-20
17	162175	Nut, Wing Forged 5/16-18
18	STD532512	Bolt, Carriage 1/4-20 x 1-1/4
19	102701X	Grip
20	STD541037	Nut, Hex 3/8-16
21	102156X	Stake, Depth

KEY NO.	PART NO.	DESCRIPTION
22	74930632	Bolt, Hex 3/8-16 x 2
23	4440J	Hinge
24	72140404	Bolt, Carriage 1/4-20 x 1/2
25	6712J	Cap, Vinyl
26	109227X	Pad, Idler
27	102695X428	Shield, Leveling
28	120588X	Pin, Hinge
29	197761X428	Shield, Side
30	73970500	Nut Lock Hex Flange
31	163498X613	Stake, Drag
32	73220400	Nut, Fin, Hex 1/4-20 unc
33	STD551125	Washer Lock Hvy Helical 1/4
38	73510500	Nut, Keps 5/16-18 unc

NOTE: All component dimensions given in U.S. inches.  
1 inch = 25.4 mm

# TILLER - - MODEL NUMBER 917.290046

## TINE ASSEMBLY



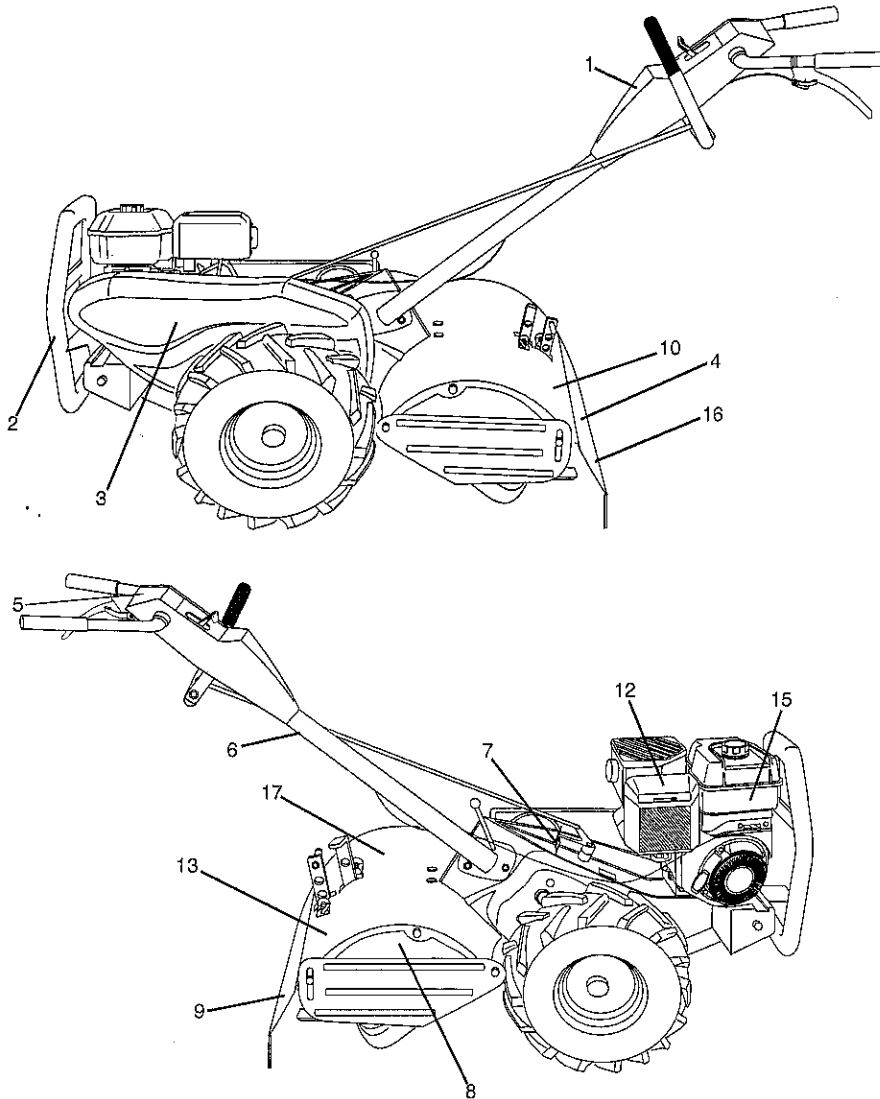
KEY NO.	PART NO.	DESCRIPTION
2	132673	Pin, Shear
4	3146R	Clip, Hairpin
5	188845	Tine Assembly
6	73610600	Nut, Hex 3/8-24
7	STD551137	Washer, Lock 3/8

KEY NO.	PART NO.	DESCRIPTION
8	74610616	Bolt, Hex 3/8-24 x 1
16	163499	Tine, Spade
17	163500	Tine, Cleaning

**NOTE:** All component dimensions given in U.S. inches.  
1 inch = 25.4 mm

# TILLER - - MODEL NUMBER 917.290046

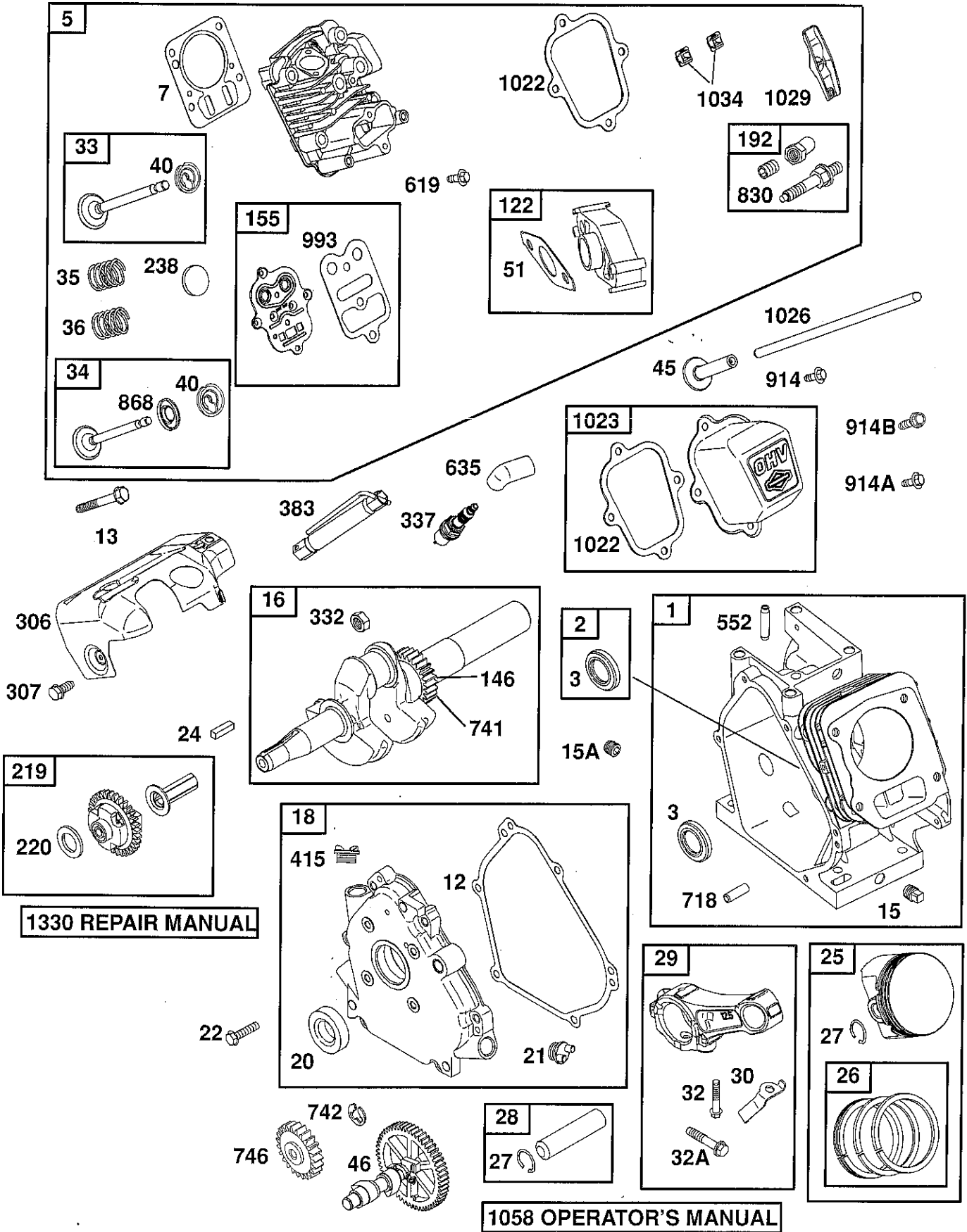
## DECALS



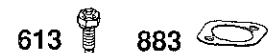
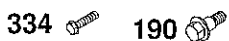
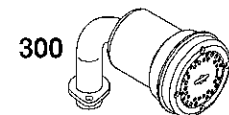
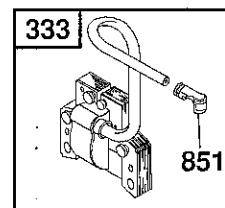
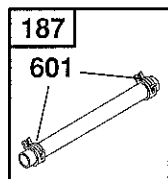
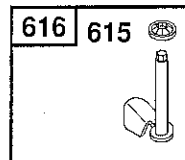
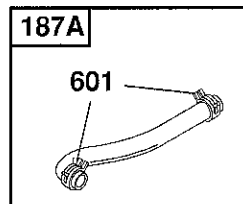
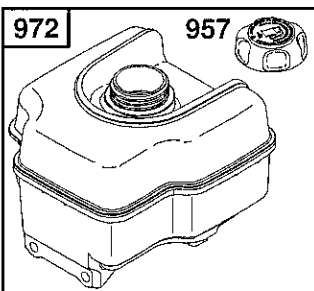
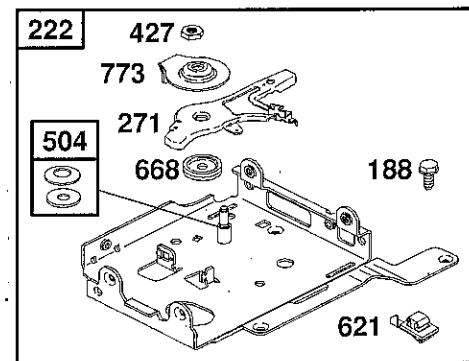
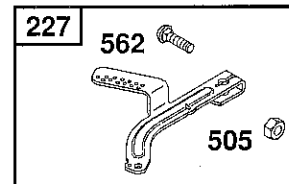
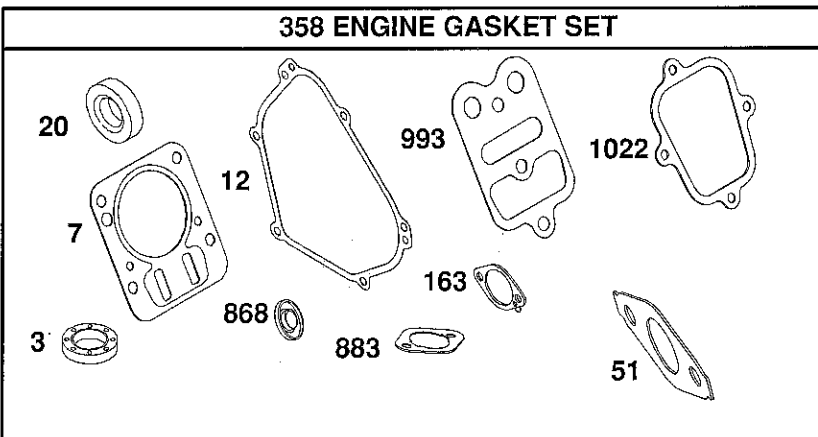
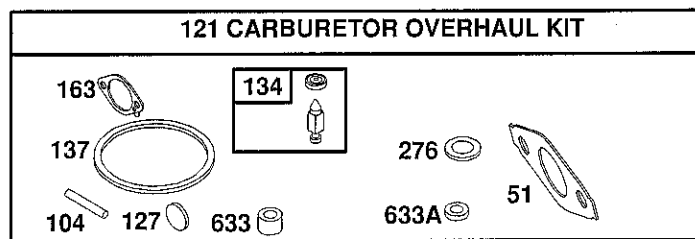
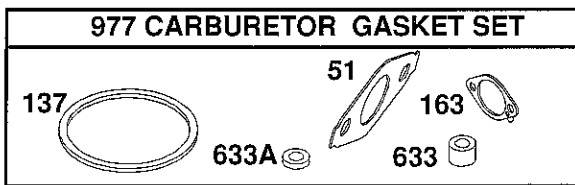
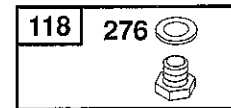
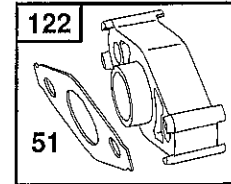
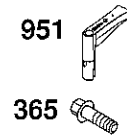
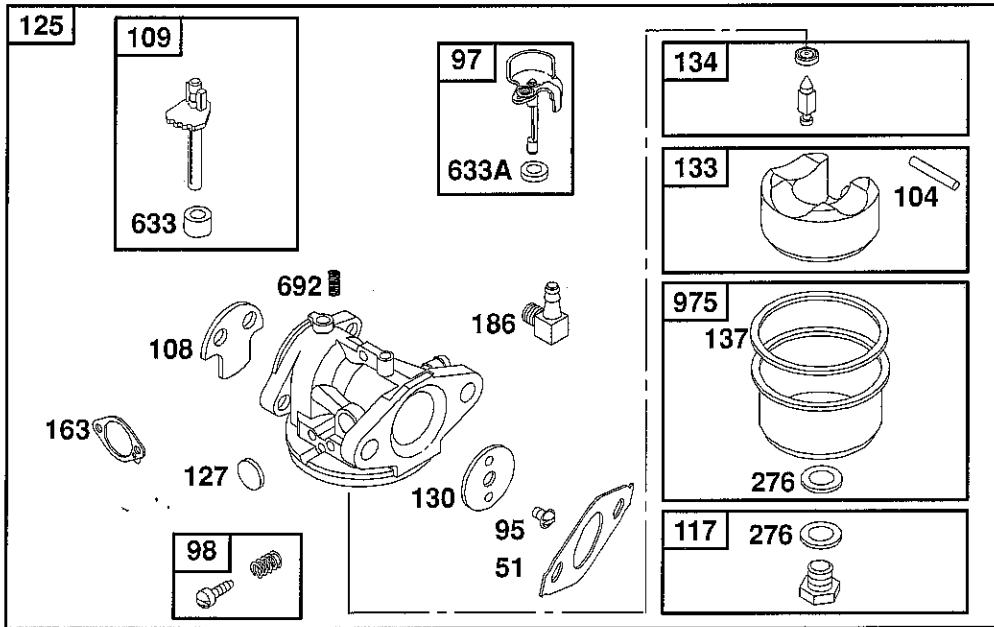
KEY NO.	PART NO.	DESCRIPTION
1	442192	Decal, Console
2	417984	Decal, Logo
3	441237	Decal, Belt Guard
4	196620	Decal, Tine Shield
5	180819	Decal, Caution, Drive Control
6	159877	Decal, Hand Placement
7	196621	Decal, Shift Indicator
8	196638	Decal, Tine, Shield, Counter Rotating Tines
9	176557	Decal, Warning, DRT
10	404460	Decal, Tiller
12	417550	Decal, BS A/C
13	404462	Decal, Tine Shield
15	417682	Decal, OHV
16	145437	Decal, Euro
17	404455	Decal, Tiller
--	420447	Decal, Serv. Console
--	441566	Manual, Operator's (Euro)
--	441567	Manual, Operator's (Scan)
--	441568	Manual, Parts



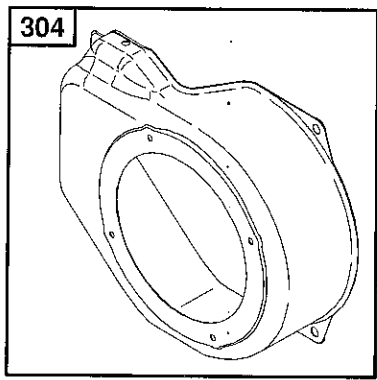
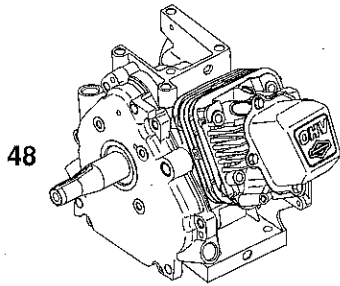
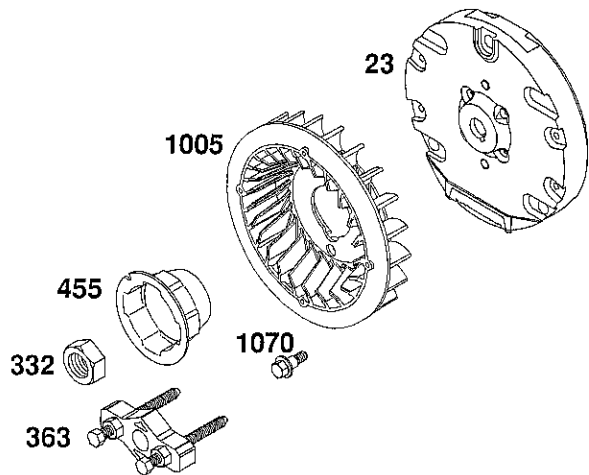
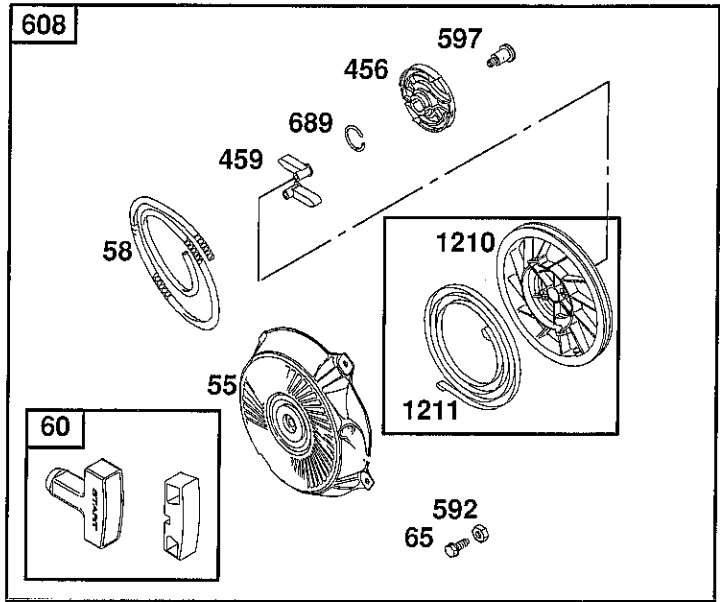
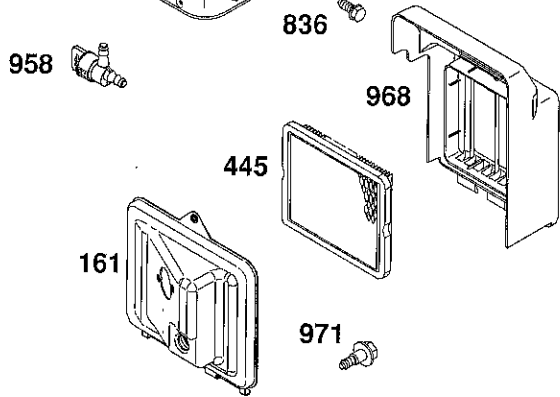
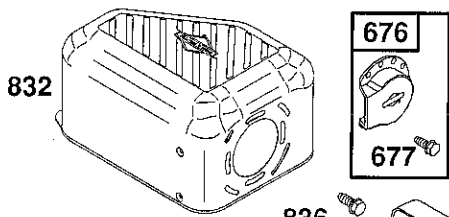
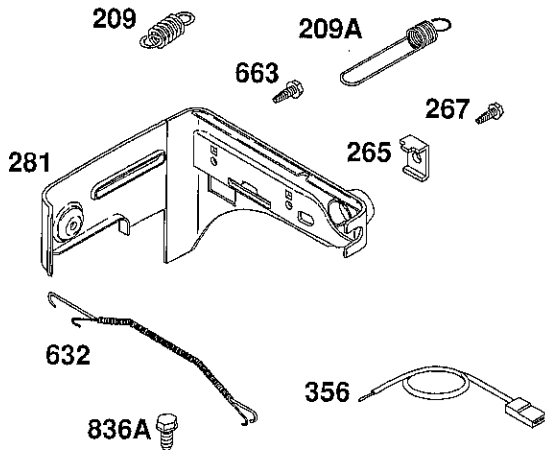
**TILLER - - MODEL NUMBER 917.290046**  
**ENGINE, BRIGGS & STRATTON -- MODEL NUMBER 126302, TYPE NO. 0421-B1**



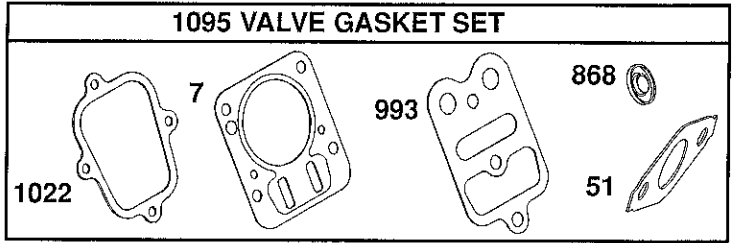
**TILLER - - MODEL NUMBER 917.290046  
ENGINE, BRIGGS & STRATTON -- MODEL NUMBER 126302, TYPE NO. 0421-B1**



**TILLER - - MODEL NUMBER 917.290046  
ENGINE, BRIGGS & STRATTON -- MODEL NUMBER 126302, TYPE NO. 0421-B1**



**1036 EMISSIONS LABEL**  
**1329 REPLACEMENT ENGINE**



305

**TILLER - - MODEL NUMBER 917.290046**  
**ENGINE, BRIGGS & STRATTON -- MODEL NUMBER 126302, TYPE NO. 0421-B1**

KEY NO.	PART NO.	DESCRIPTION	KEY NO.	PART NO.	DESCRIPTION
1	699510	Cylinder Assembly	155	698214	Plate-Cylinder Head
2	399269	Kit-Bushing/Seal (Magneto Side)	161	790631	Base-Air Cleaner
3	299819S	• Seal-Oil (Magneto Side)	163	696024	Gasket-Air Cleaner
5	699486	Head-Cylinder	186	692317	Connector-Hose
7	698210	•+ Gasket-Cylinder Head	187	791766	Line-Fuel (Cut to Required Length)
11	790632	Tube-Breather			
12	699485	• Gasket-Crankcase	187A	791867	Line-Fuel (Molded)
13	699482	Screw (Cylinder Head)	188	699479	Screw (Control Bracket)
15	691686	Plug-Oil Drain	190	699220	Screw (Fuel Tank)
15A	691682	Plug-Oil Drain	192	694543	Adjustor-Rocker Arm
16	699445	Crankshaft	209	691278	Spring-Governor
18	699696	Cover-Crankcase	209A	692571	Spring-Governor
20	692550	• Seal-Oil (PTO Side)	219	693578	Gear-Governor
21	281658S	Cap-Oil Fill	220	691724	Washer (Governor Gear)
22	699478	Screw (Engine Sump)	222	793107	Bracket-Control
23	699488	Flywheel	227	692573	Control Lever-Governor
24	222698S	Key-Flywheel	238	691300	Cap-Valve
25	791097	Piston Assembly (Standard)	265	691024	Clamp-Casing
	791326	Piston Assembly (.020" Oversize)	267	699492	Screw (Casing Clamp)
26	791969	Ring Set (Standard)	271	694256	Lever-Control
	791324	Ring Set (.020" Oversize)	276	271716	Ø Sealing Washer
27	691866	Lock-Piston Pin	281	793122	Panel-Control
28	499423	Pin-Piston	300	693593	Muffler
29	690124	Rod-Connecting	304	699598	Housing-Blower
30	692562	Dipper-Connecting Rod	305	699480	Screw (Blower Housing)
32	691664	Screw (Connecting Rod)	306	693610	Shield-Cylinder
32A	695759	Screw (Connecting Rod)	307	699483	Screw (Cylinder Shield)
33	499642	Valve-Exhaust	332	699359	Nut (Flywheel)
34	499641	Valve-Intake	333	695711	Armature-Magneto
35	691304	Spring-Valve (Intake)	334	699477	Screw (Armature Magneto)
36	691304	Spring-Valve (Exhaust)	337	691043	Spark Plug
40	692194	Retainer-Valve	356	692390	Wire-Stop
45	690977	Tappet-Valve	358	791797	Engine Gasket Set
46	693404	Camshaft	363	19069	Flywheel Puller
48	791518	Short Block	365	699484	Screw (Carburetor)
51	692555	• Ø‡+ Gasket-Intake	383	19374S	Wrench-Spark Plug
55	691422	Housing-Rewind Starter	415	693463	Plug
58	693389	Rope-Starter (Cut to Required Length)	427	694255	Nut (Control Bracket)
			445	491588S	Filter-Air Cleaner Cartridge
60	691915	Grip-Starter Rope	455	692591	Cup-Flywheel
65	690837	Screw (Rewind Starter)	456	692299	Plate-Pawl Friction
95	691636	Screw (Throttle Valve)	459	281505S	Pawl-Ratchet
97	690024	Shaft-Throttle	504	694254	Washer Set
98	398185	Kit-Idle Speed	505	691251	Nut (Governor Control Lever)
104	691242	Ø Pin-Float Hinge	552	692346	Bushing-Governor Crank
108	692567	Valve-Choke	562	691112	Bolt (Governor Control Lever)
109	790624	Shaft-Choke	592	690800	Nut (Rewind Starter)
117	498978	Jet-Main (Standard)	597	691696	Screw (Pawl Friction Plate)
118	497466	Jet-Main (High Altitude)	601	791850	Clamp-Hose
121	792006	Kit-Carburetor Overhaul	608	693394	Starter-Rewind
122	693749	Spacer-Carburetor	613	791972	Screw (Muffler)
125	791077	Carburetor	615	692576	Retainer-Governor Shaft
127	691739	Ø Plug-Welch	616	699480	Crank-Governor
130	691181	Valve-Throttle	619	699230	Screw (Cylinder Head Plate)
133	398187	Float-Carburetor	621	692310	Switch-Stop
134	398188	Ø Kit-Needle/Seat	632	693408	Spring/Link-Mechanical Governor
137	693981	Ø‡ Gasket-Float Bowl	633	693867	Ø‡ Seal-Choke/Throttle Shaft
146	690979	Key-Timing	633A	691321	Ø‡ Seal-Throttle Shaft

**TILLER - - MODEL NUMBER 917.290046**  
**ENGINE, BRIGGS & STRATTON -- MODEL NUMBER 126302, TYPE NO. 0421-B1**

KEY NO.	PART NO.	DESCRIPTION
635	692076	Boot-Spark Plug
663	699206	Screw (Control Panel)
668	694257	Spacer
676	393757	Deflector-Muffler
677	690661	Screw (Muffler Deflector)
689	691855	Spring-Friction
692	690572	Spring-Detent
718	690959	Pin-Locating
741	695087	Gear-Timing
742	692564	Retainer-E Ring
746	692566	Gear-Idler
773	694258	Retainer
830	694544	Stud (Rocker Arm)
832	693583	Guard-Muffler
836	699203	Screw (Muffler Guard)
836A	699632	Screw (Muffler Guard)
851	493880S	Terminal-Spark Plug
868	692044	•+ Seal-Valve
883	691893	•+ Gasket-Exhaust
914	699480	Screw (Rocker Cover) (Bottom)
914A	692557	Screw (Rocker Cover) (Top)
914B	697551	Screw (Rocker Cover) (Center)
951	790630	Lever-Choke
957	694261	Cap-Fuel Tank
958	698180	Valve-Fuel Shut Off
968	791082	Cover-Air Cleaner
971	690370	Screw (Air Cleaner Base)
972	694260	Tank-Fuel
975	493640	Bowl-Float
977	792007	Set-Carburetor Gasket
993	694088	•+ Gasket-Cylinder Head Plate
1005	692592	Fan-Flywheel
1022	691890	•+ Gasket-Rocker Cover
1023	499924	Cover-Rocker
1026	790287	Rod-Push
1029	691230	Arm-Rocker
1034	691343	Guide-Push Rod
1036		Label-Emissions (Available from a Briggs & Stratton Authorized Dealer)
1058	275092	Operator's Manual
1070	699201	Screw (Flywheel Fan)
1095	791798	Set-Valve Gasket
1210	498144	Assembly-Pulley/Spring (Pulley)
1211	498144	Assembly-Pulley/Spring (Spring)
1329	121302-0520	Replacement Engine (Replacement Engine listed is not available in the State of California. Repair with individual parts.)
1330	272147	Repair Manual

- Included in Engine Gasket Set, Key. No. 358
- ∅ Included in Carburetor Overhaul Kit, Key. No. 121
- ‡ Included in Carburetor Gasket Set, Key. No. 977
- + Included in Valve Gasket Set, Key. No. 1095

**NOTE:** All component dimensions given in U.S. inches.  
1 inch = 25.4 mm

---

# SERVICE NOTES

---

---

# SERVICE NOTES

---

## **LIMITED TWO YEAR WARRANTY ON CRAFTSMAN TILLER**

For two years from date of purchase, when this Craftsman Tiller is maintained, lubricated, and tuned up according to the operating and maintenance instructions in the owner's manual, Sears will repair free of charge any defect in material or workmanship.

This Warranty does not cover:

- Expendable items which become worn during normal use, such as tines, spark plugs, air cleaners and belts.
- Repairs necessary because of operator abuse or negligence, including bent crankshafts and the failure to maintain the equipment according to the instructions contained in the owner's manual.
- If this Craftsman Tiller is used for commercial or rental purposes, this Warranty applies for only 30 days from the date of purchase.

WARRANTY SERVICE IS AVAILABLE BY RETURNING THE CRAFTSMAN TILLER TO THE NEAREST SEARS SERVICE CENTER/DEPARTMENT IN THE UNITED STATES. THIS WARRANTY APPLIES ONLY WHILE THIS PRODUCT IS IN USE IN THE UNITED STATES.

This Warranty gives you specific legal rights, and you may also have other rights which vary from state to state.

SEARS, ROEBUCK AND CO., D/817WA, HOFFMAN ESTATES, IL 60179

**CRAFTSMAN®**