

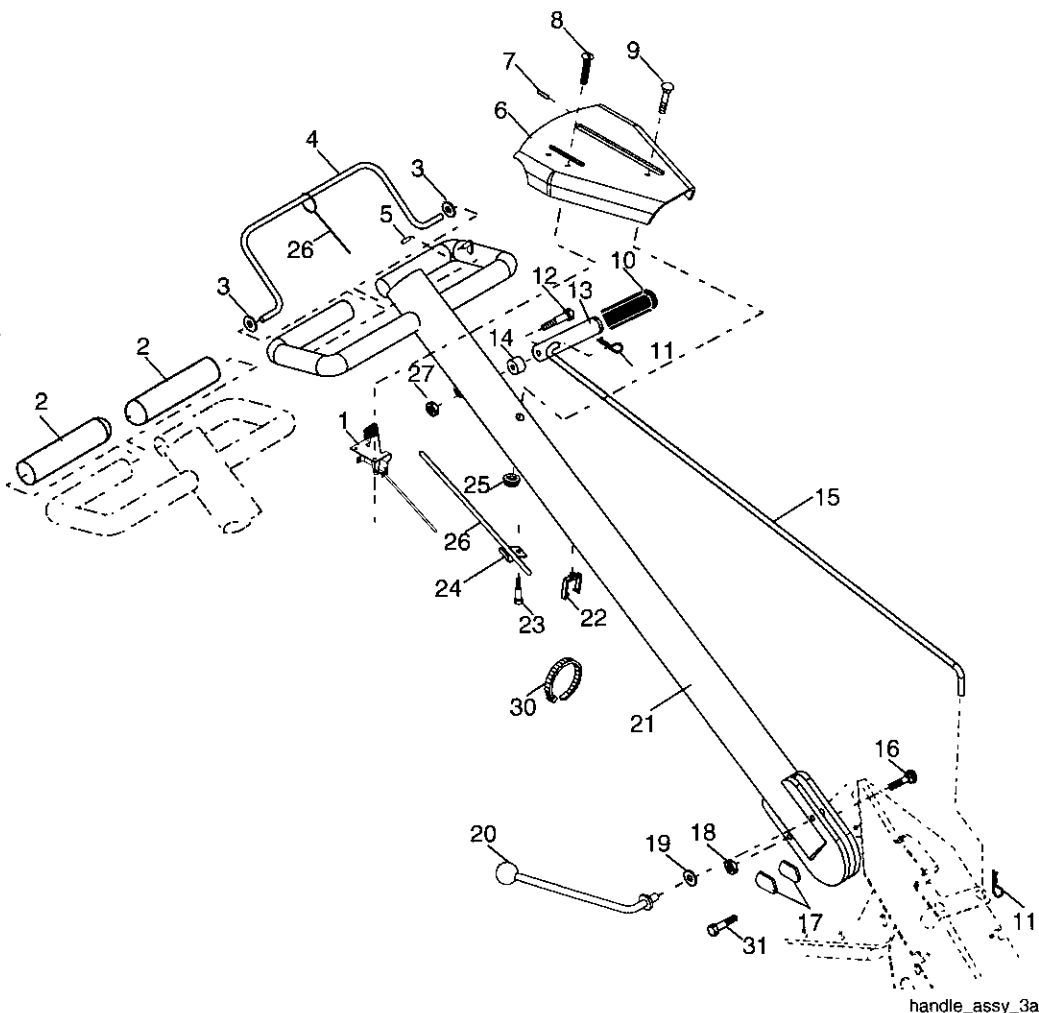
REPAIR PARTS MANUAL
MODEL NO. 292860
6.0 HP 14 Inch
Tiller

CRAFTSMAN®

REPAIR PARTS

TILLER - - MODEL NUMBER 917.292860

HANDLES



handle_assy_3a

KEY NO.	PART NO.	DESCRIPTION
1	189482	Throttle, Control
2	141406	Grip, Handle
3	110673X	Grommet, Handle
4	127254X	Bar, Drive Control Assembly
5	6712J	Cap, Vinyl
6	188403X016	Panel, Control
7	110641X	Bushing, Split
8	17720408	Screw 1/4-20 x 1/2
9	72010520	Bolt, 5/16-18 x 2-1/2
10	110646X	Handle, Grip
11	4497H	Retainer Spring
12	81328	Bolt, Shoulder
13	187497	Handle, Shift
14	109313X	Grommet, Rubber
15	110702X	Rod, Shift
16	STD533710	Bolt 3/8-16 x 1 Gr. 5
17	109229X	Lock, Handle

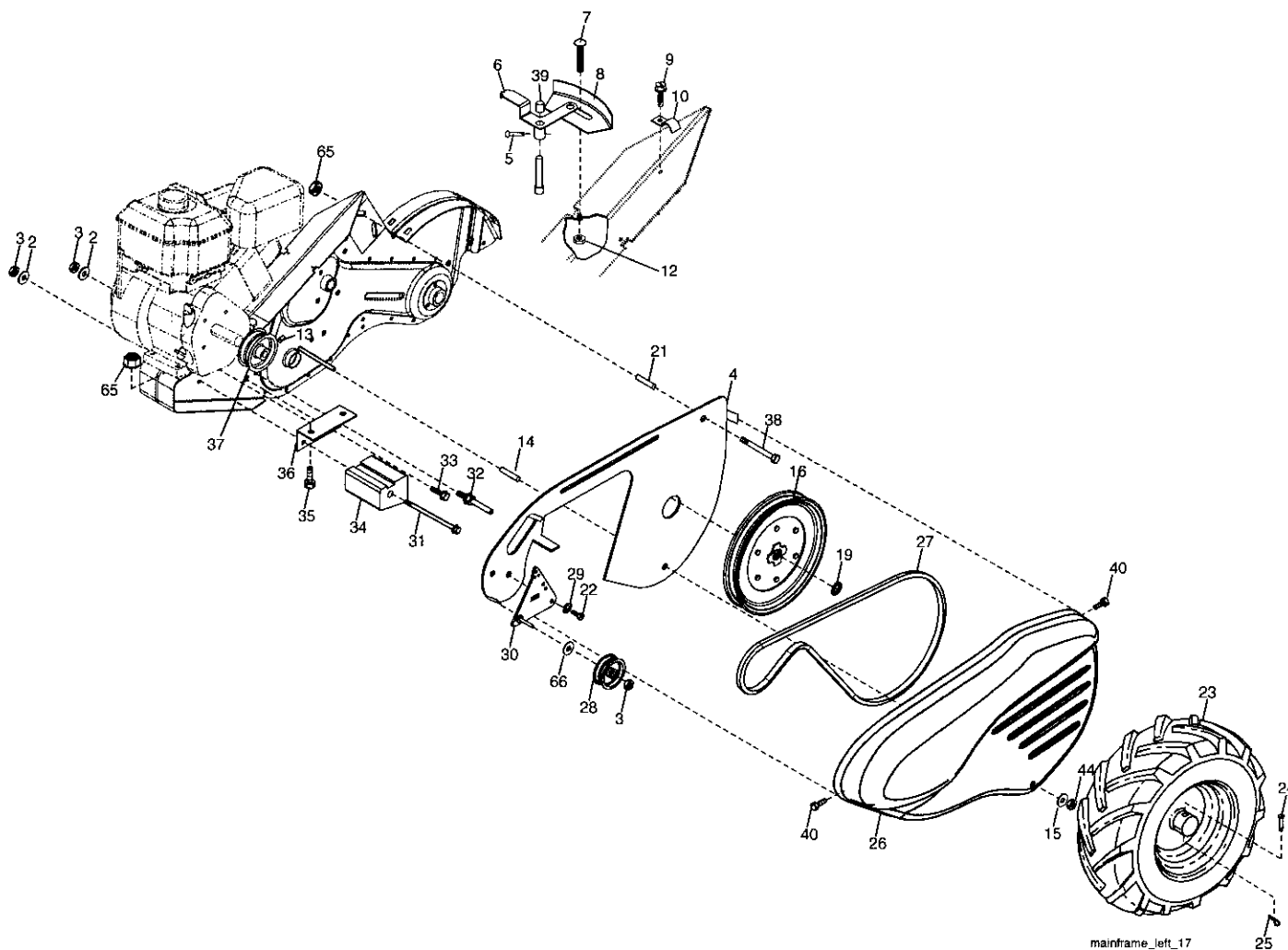
KEY NO.	PART NO.	DESCRIPTION
18	STD541437	Nut, Crownlock 3/8-16
19	19131611	Washer 13/32 x 1 x 11 Ga.
20	109228X	Lever, Lock, Handle
21	150628	Handle, Assemble
22	165197	Clip, Plastic, Cable
23	86777	Screw, Hex, Washer Hd, Slotted #10-24 x 1/2
24	9484R	Clip
25	73970500	Locknut, Hex, Flange
26	110675X	Clutch, Cable
27	73900400	Nut, Lock 1/4-20
30	7192J	Tie Cable
31	150696	Bolt, Pivot

NOTE: All component dimensions given in U.S. inches.
1 inch = 25.4 mm

REPAIR PARTS

TILLER - - MODEL NUMBER 917.292860

MAINFRAME, LEFT SIDE



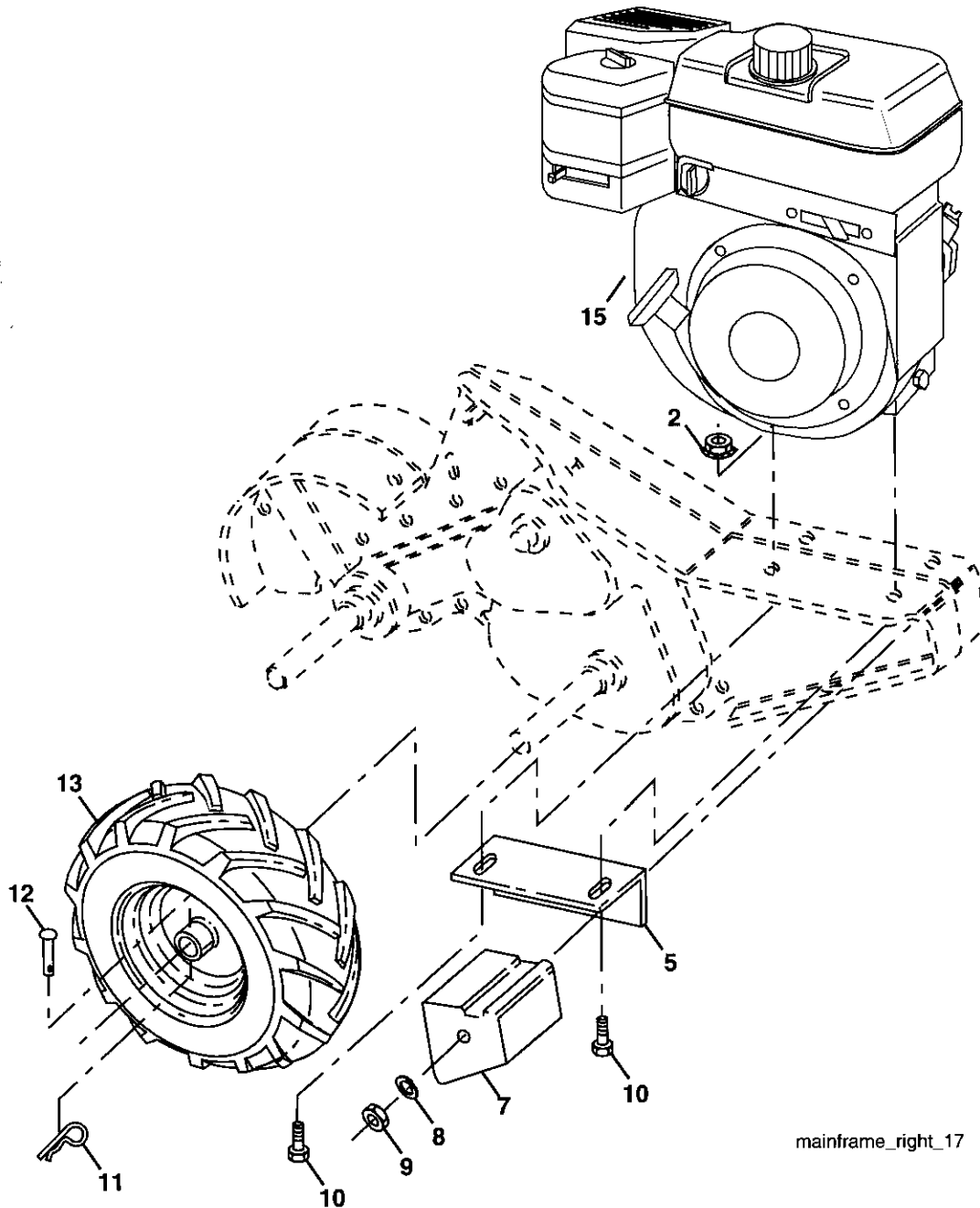
KEY NO.	PART NO.	DESCRIPTION	KEY NO.	PART NO.	DESCRIPTION
2	STD551137	Washer, Lock 3/8	25	4497H	Retainer, Spring
3	STD541037	Nut, Hex 3/8-16	26	165501X558	Guard, Belt
4	170127	Shield, Inner Belt Guard	27	132801	Belt, V
5	164329	Pin Spiral Flared	28	104679X	Pulley, Idler
6	110111X	Lever, Shift	29	12000032	Ring, Klip
7	72110404	Bolt, Carriage 1/4-20 x 1/2 Gr. 5	30	159229	Bracket, Idler
8	8700J	Plate, Shift Indicator	31	102194X	Bolt, Fin Hex 3/8-16 x 10
9	86777	Screw, Hex, Washer Head, Slotted #10-24 x 1/2	32	102141X	Shaft, Idler Arm
10	9484R	Clip	33	STD523710	Bolt, Hex 3/8-16 x 1
12	STD541425	Nut, Hex 1/4-20	34	102173X	Counterweight
13	23230506	Screw, Set, 5/16-18 x 3/8	35	74760524	Bolt, Hex 5/16-18 x 1-1/2
14	156117	Spacer, Split .327 x .42 x 1.220	36	102331X	Bracket, Reinforcement, L.H.
15	STD551031	Washer 11/32 x 11/16 x 16 Ga.	37	130812	Sheave, Engine
16	145102	Sheave, Transmission	38	74760544	Bolt, Fin Hex 5/16-18 x 2-3/4
19	12000028	Ring, Retainer	39	140062	Cap, Plunger
21	110652X	Spacer, Split .327 x .42 x 2.09	40	170488	Screw Hex Wsh. Hd #10-32 x 9/16
22	74770508	Bolt, Fin Hex 5/16-24 x 1/2	44	STD541431	Nut, Lock 5/16-18
23	102190X	Tire	65	73970500	Nut, Lock Hex Flange
	183122X624	Rim	66	19131312	Washer
	795R	Tire Valve			
24	126875X	Rivet, Drilled			

NOTE: All component dimensions given in U.S. inches.
1 inch = 25.4 mm

REPAIR PARTS

TILLER - - MODEL NUMBER 917.292860

MAINFRAME, RIGHT SIDE



mainframe_right_17

KEY NO.	PART NO.	DESCRIPTION
2	73970500	Locknut, Hex, Flange 5/16-18
5	102332X	Bracket, Reinforcement
7	102173X	Counter Weight
8	STD551137	Washer, Lock 3/8
9	STD541037	Nut, Hex 3/8-16
10	74760524	Bolt, Hex 5/16-18 x 1-1/2
11	4497H	Retainer, Spring
12	126875X	Rivet, Drilled

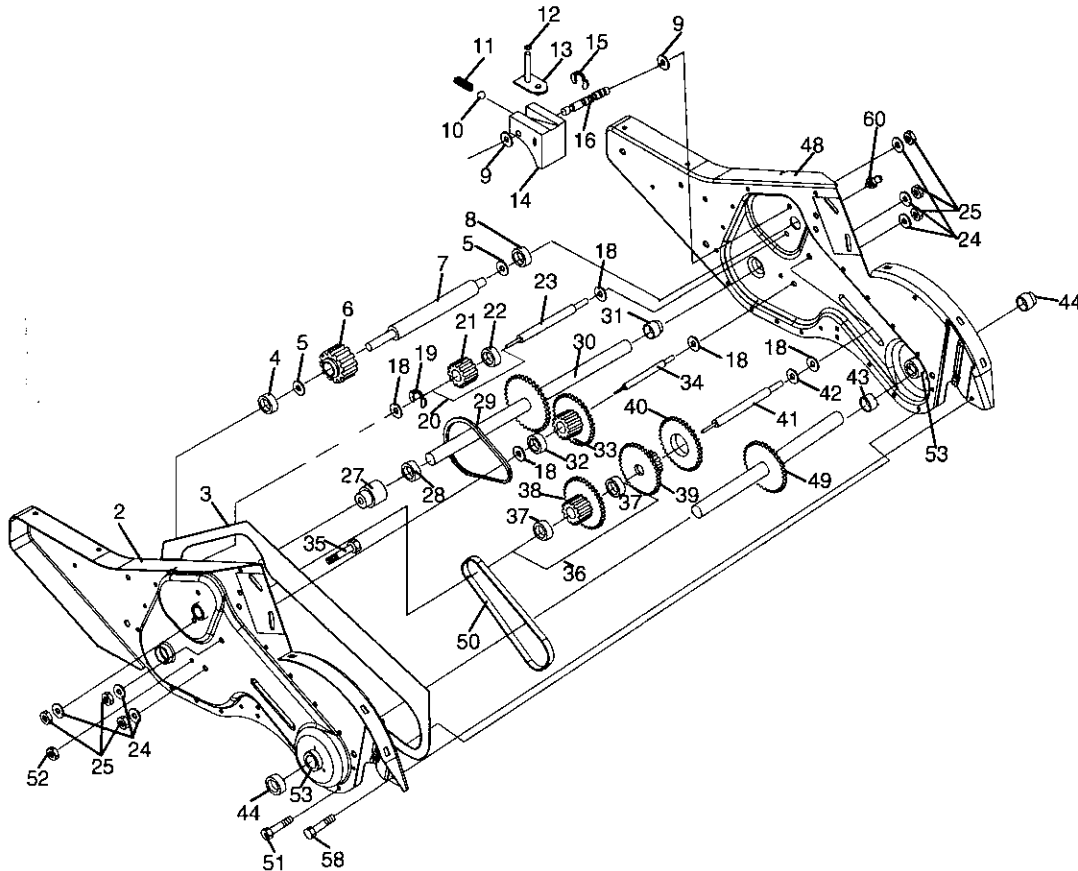
KEY NO.	PART NO.	DESCRIPTION
13	102190X	Tire
	183122X624	Rim
	795R	Tire Valve
15	-----	Engine, (See Breakdown) Briggs Model No. 120202-0422-E1
16	7192J	Tie Cable

NOTE: All component dimensions given in U.S.inches.
1 inch = 25.4 mm

REPAIR PARTS

TILLER - - MODEL NUMBER 917.292860

TRANSMISSION



transmission_19.5b

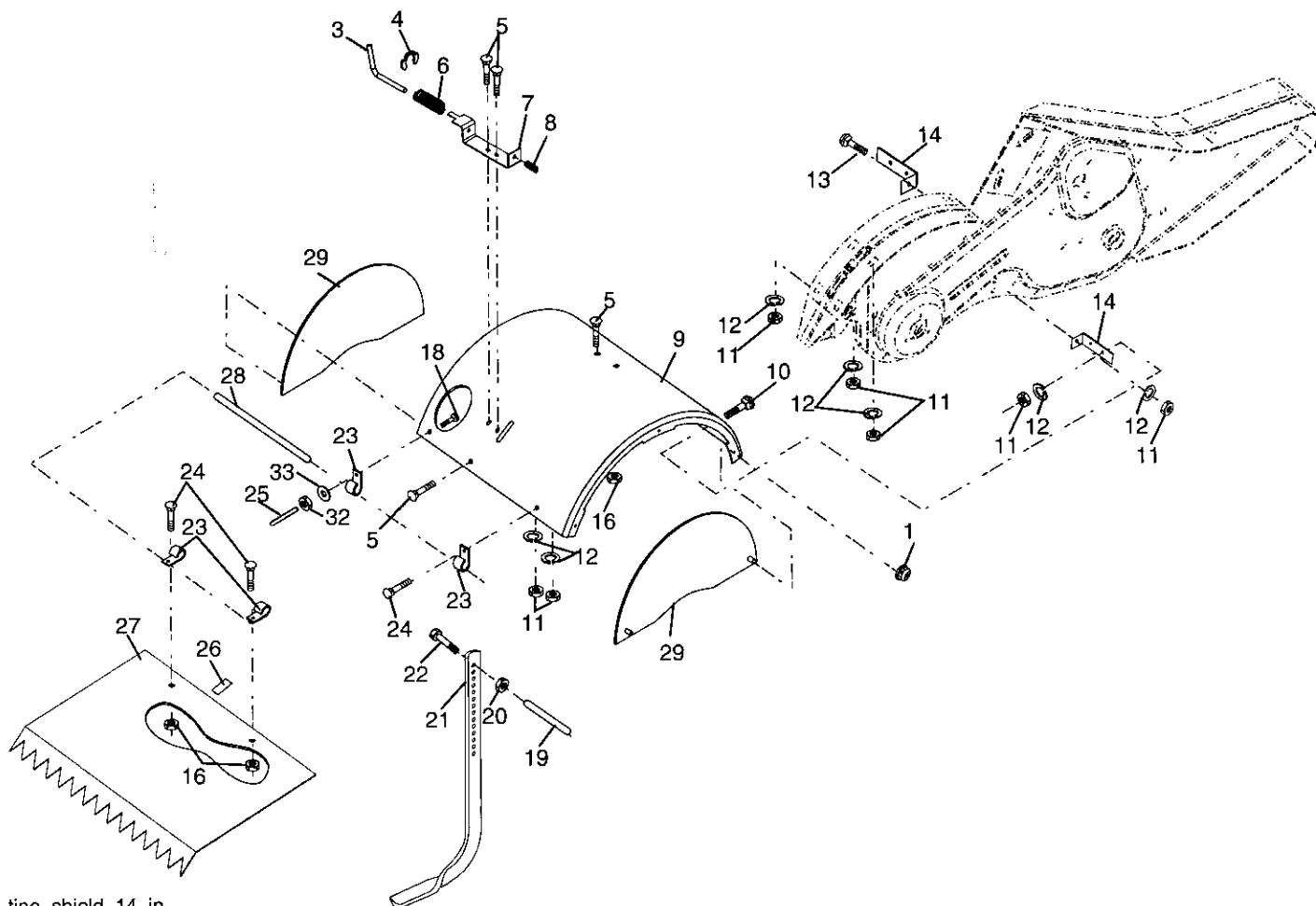
KEY NO.	PART NO.	DESCRIPTION	KEY NO.	PART NO.	DESCRIPTION
1	188554	Transmission Assembly (Includes Key Nos. 2-52)	30	150737	Ground Shaft Assembly
2	188482	Gearcase, L.H. w/Bearing (Includes Key No. 4)	31	143008	Bearing, Shaft, Ground Drive R.H.
3	161963	Gasket, Gearcase	32	106388X	Spacer 0.70 x 1.00 x 1.150
4	5020J	Bearing, Needle	33	102121X	Sprocket and Gear Assembly
5	1370H	Washer, Thrust 5/8 x 1.10 x 1/32	34	102112X	Shaft, Reduction (2nd)
6	137335	Pinion, Input	35	102101X	Screw, Whiz, Lock 5/16-18 x 3-1/2
7	145101	Shaft, Input	36	154355	Sprocket Assembly w/Bearing (Includes Key Nos. 37 and 38)
8	4895H	Bearing, Needle	37	4422J	Bearing, Needle
9	154467	Washer, Seal	38	154356	Sprocket, Tine
10	7392M	Ball, Steel	39	105345X	Gear, Cluster, Red 1st & 2nd
11	100371K	Spring, Shift, Fork	40	105346X	Gear, Reverse
12	106160X	O-Ring	41	8358J	Shaft, Reduction (1st)
13	142145	Arm, Shift	42	4220R	Washer, Thrust
14	8353J	Fork, Shift	43	106146X	Spacer 1.01 x 1.75 x 0.760
15	12000039	Ring, Klip	44	155236	Seal Asm. Oil
16	154466	Shaft, Shift	48	188485	Gearcase, R.H. w/Bearing (Includes Key No. 8)
18	4358J	Washer	49	132688	Shaft, Tine
19	12000040	Ring, Klip	50	106147X	Chain, Roller #50-50 Pitch
20	102114X	Gear, Assembly, Reverse Idler (Includes Key Nos. 21 and 22)	51	17720408	Screw 1/4-20 x 1/2
21	102115X	Gear, Reverse Idler	52	STD541031	Nut, Hex 5/16-18
22	6803J	Bearing, Needle	53	165140	Bearing Kit, Tine Shaft
23	102111X	Shaft, Reverse Idler	58	179520	Shoulder Bolt
24	STD551143	Washer, Lock 7/16	60	183226	Fitting Grease
25	STD541143	Nut, Hex 7/16-20	--	6066J	Grease, Plastilube #1
27	143009	Bearing, Shaft, Ground Drive L.H.			
28	106390X	Spacer 0.765 x 1.125 x 1.23			
29	102134X	Chain #35-50 Pitch			

NOTE: All component dimensions given in U.S. inches.
1 inch = 25.4 mm

REPAIR PARTS

TILLER -- MODEL NUMBER 917.292860

TINE SHIELD



tine_shield_14_in

KEY NO.	PART NO.	DESCRIPTION
1	73900500	Nut, Lock Hex Flg 5/16-18 unc
3	8393J	Pin, Stake, Depth
4	12000035	Ring, Klip
5	180847	Bolt Rdhd Sqnk 5/16-18 x 3/4 Znc
6	8394J	Spring
7	8392J	Bracket, Latch
8	109230X	Spring, Depth Stake
9	102152X558	Shield, Tine
10	STD533110	Bolt, Carriage 5/16-18 x 1 Gr. 5
11	STD541031	Nut, Hex 5/16-18
12	STD551131	Washer, Lock 5/16
13	STD533112	Bolt, Carriage 5/16-18 x 1-1/4
14	124343X	Bracket, Shield Tine
16	73900400	Nut, Flange lock 1/4-20
18	STD532512	Bolt, Carr. 1/4-20 x 1-1/4 Gr. 5
19	102701X	Grip
20	STD541037	Nut, Hex 3/8-16

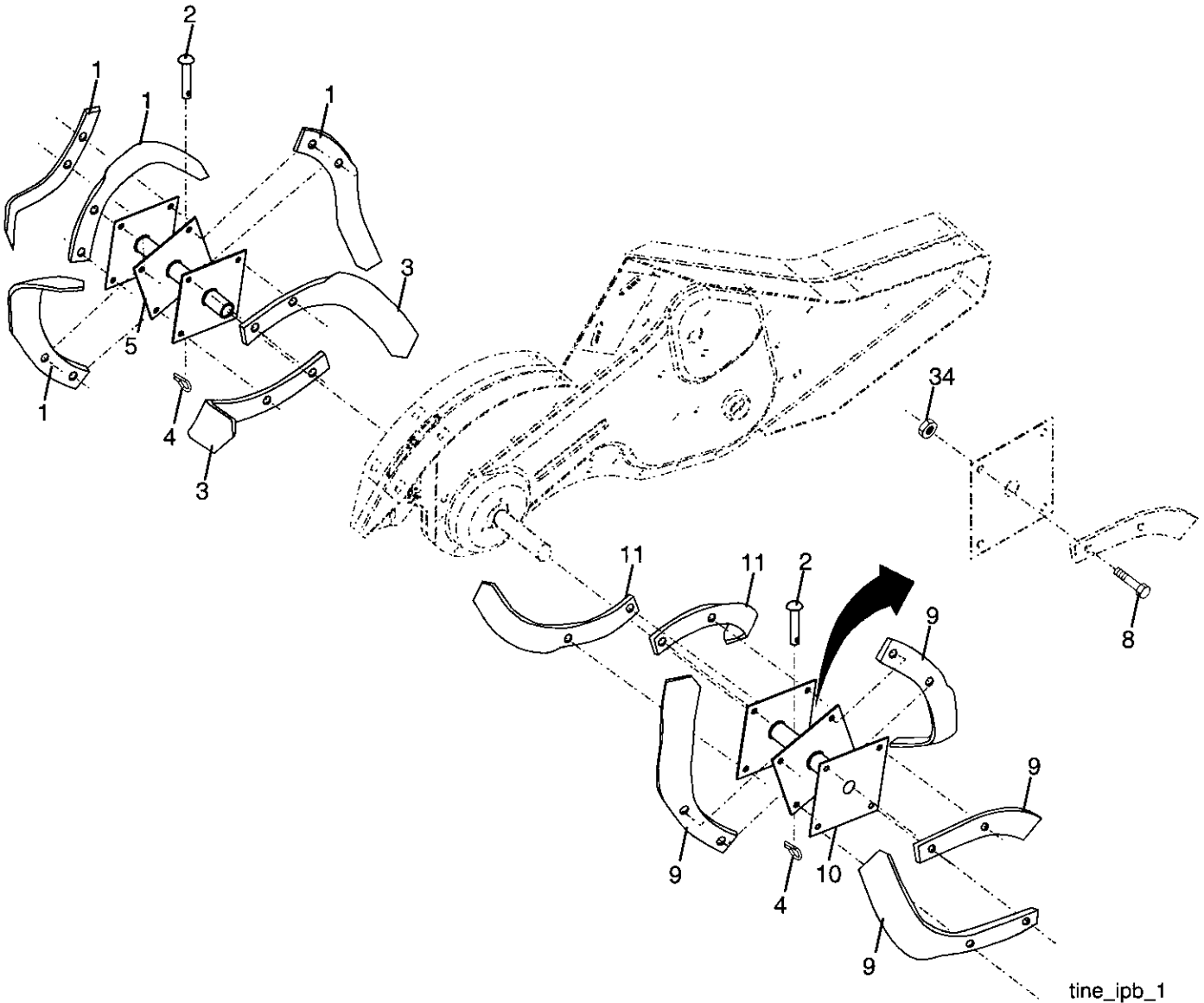
KEY NO.	PART NO.	DESCRIPTION
21	102156X	Stake, Depth
22	74930632	Bolt, Hex 3/8-16 x 2
23	4440J	Hinge
24	STD532505	Bolt, Carriage 1/4-20 x 1/2
25	6712J	Cap, Vinyl
26	109227X	Pad, Idler
27	102686X558	Shield, Leveling
28	120588X	Pin, Hinge
29	104085X558	Shield, Side
32	73220400	Nut, Fin, Hex 1/4-20 unc
33	STD551125	Washer Lock Hvy Helical 1/4

NOTE: All component dimensions given in U.S. inches.
1 inch = 25.4 mm

REPAIR PARTS

TILLER - - MODEL NUMBER 917.292860

TINE ASSEMBLY



KEY NO.	PART NO.	DESCRIPTION
1	4459J	Tine, Outer, L.H.
2	132673	Pin, Shear
3	6554J	Tine, Inner, L.H.
4	3146R	Clip, Hairpin
5	132721	Assembly, Hub and Plate, L.H.
8	74610616	Bolt, Hex 3/8-24 x 1
9	4460J	Tine, Outer, R.H.

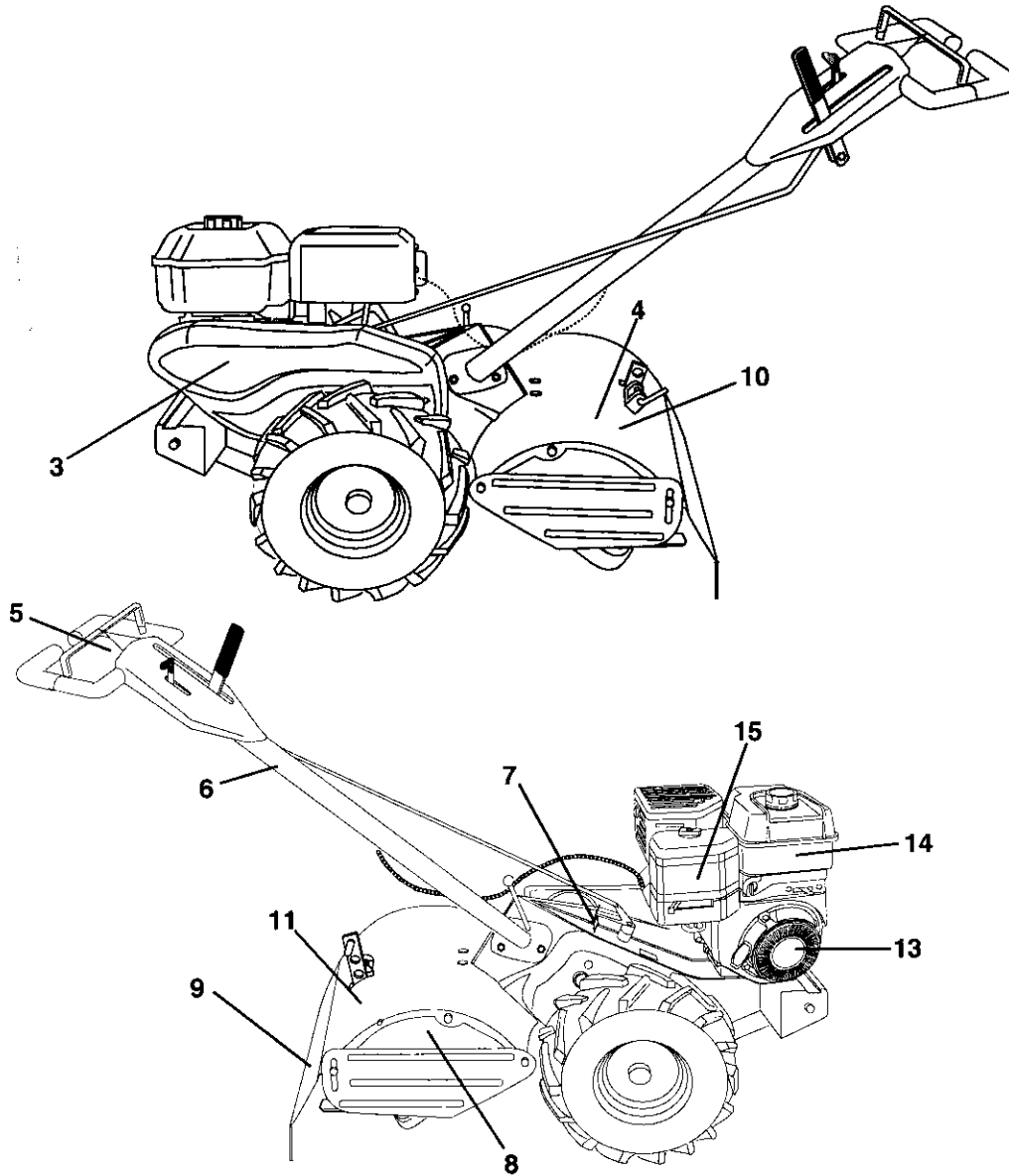
KEY NO.	PART NO.	DESCRIPTION
10	132722	Assembly, Hub and Plate, R.H.
11	6555J	Tine, Inner, R.H.
34	73540600	Nut Crownlock 3/8-24

NOTE: All component dimensions given in U.S. inches.
1 inch = 25.4 mm

REPAIR PARTS

TILLER -- MODEL NUMBER 917.292860

DECALS

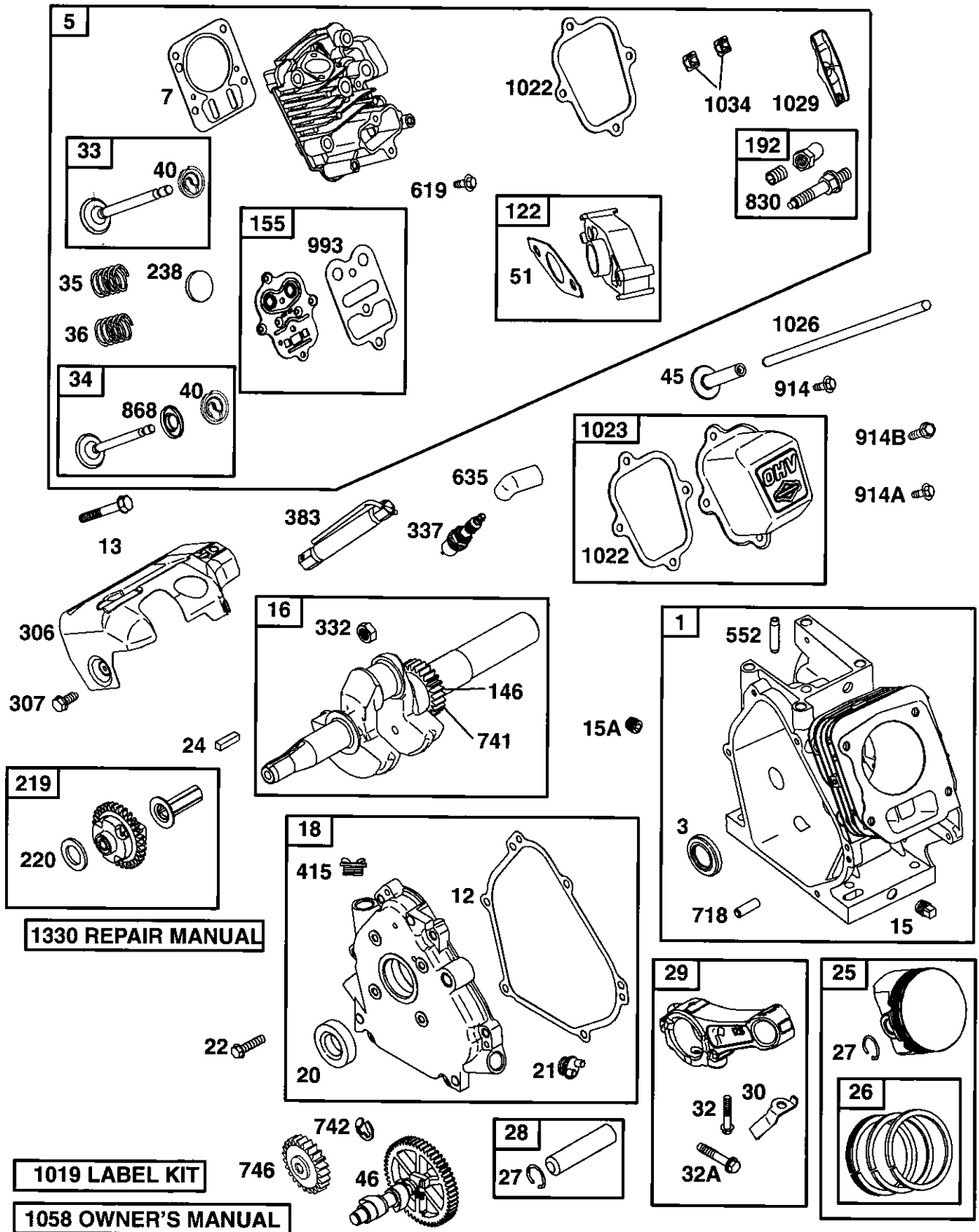


KEY NO.	PART NO.	DESCRIPTION
3	196629	Decal, Blt Guard
4	196630	Decal, Description
5	196622	Decal, Caution, Drive Control
6	159877	Decal, Hand Placement
7	102180X	Decal, Shift Indicator
8	196655	Decal, Tine, Shield, Counter Rotating Tines
9	176557	Decal, Warning
10	196624	Decal, Tine Depth Stake
11	145437	Decal, Euro
13	171078	Decal, Rewind
14	167156	Decal, Craftsman IC
15	195678	Decal, Engine
--	196510	Manual, Operator's (Euro)
--	196511	Manual, Operator's (Scand)
--	196513	Manual, Parts

REPAIR PARTS

TILLER - - MODEL NUMBER 917.292860

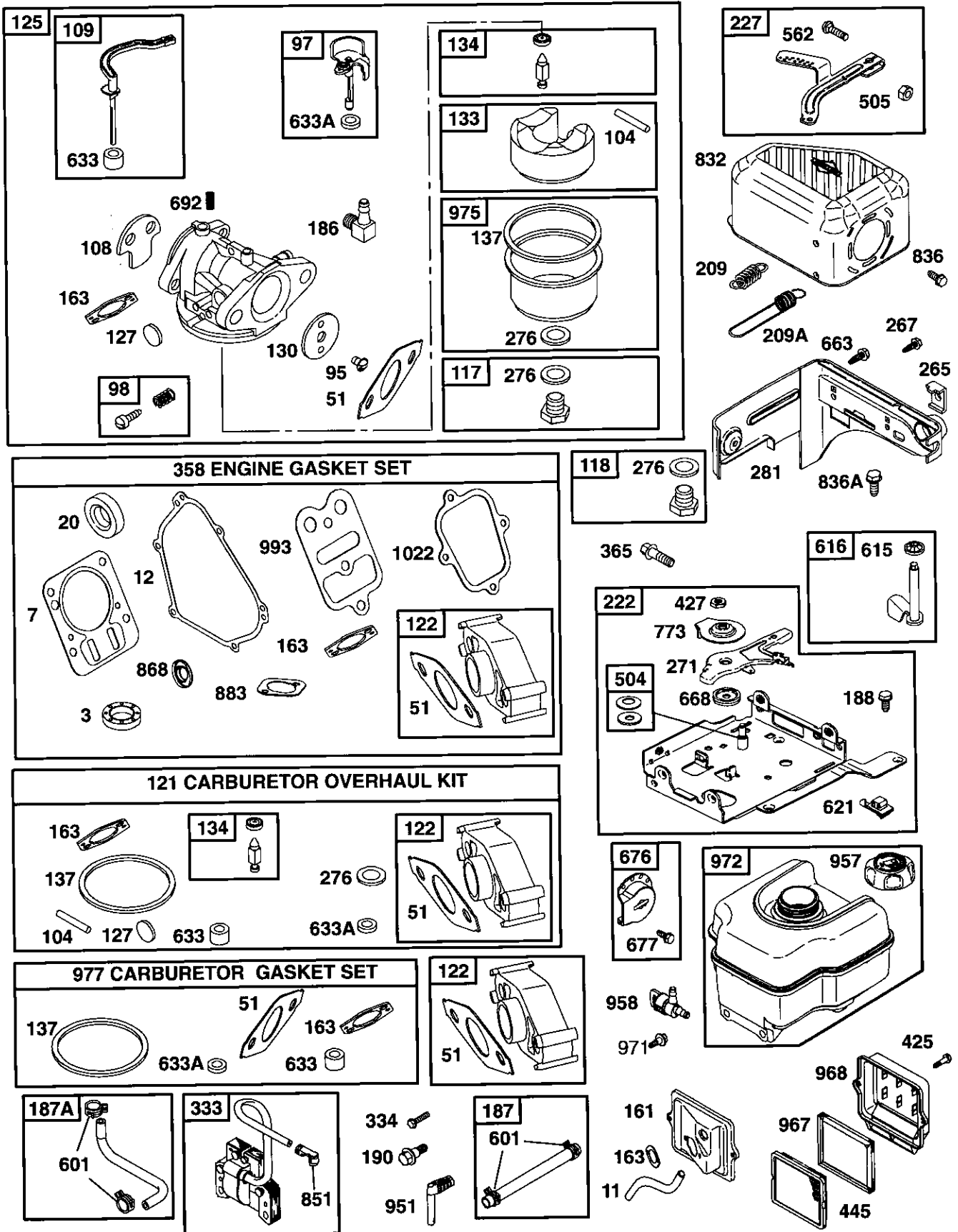
ENGINE, BRIGGS & STRATTON -- MODEL NUMBER 120202, TYPE NO. 0422-E1



REPAIR PARTS

TILLER - - MODEL NUMBER 917.292860

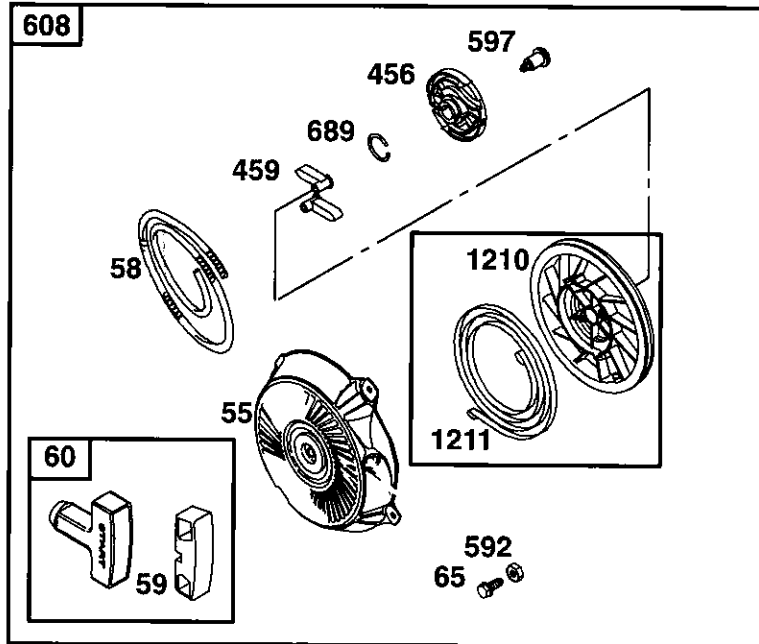
ENGINE, BRIGGS & STRATTON -- MODEL NUMBER 120202, TYPE NO. 0422-E1



REPAIR PARTS

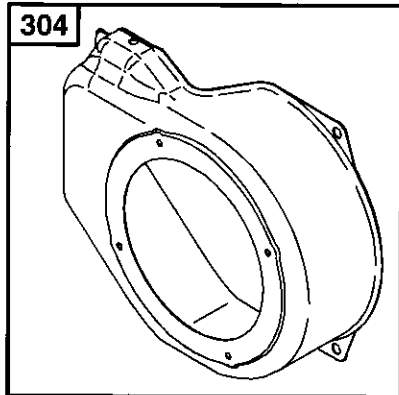
TILLER - - MODEL NUMBER 917.292860

ENGINE, BRIGGS & STRATTON -- MODEL NUMBER 120202, TYPE NO. 0422-E1

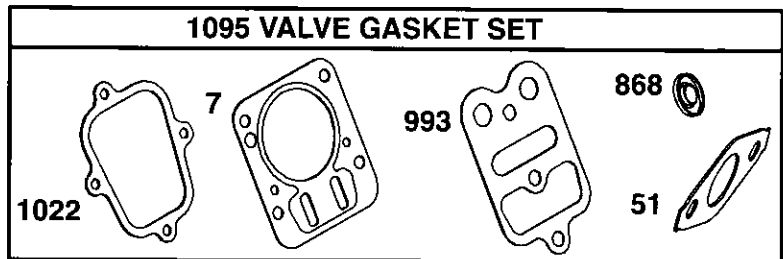
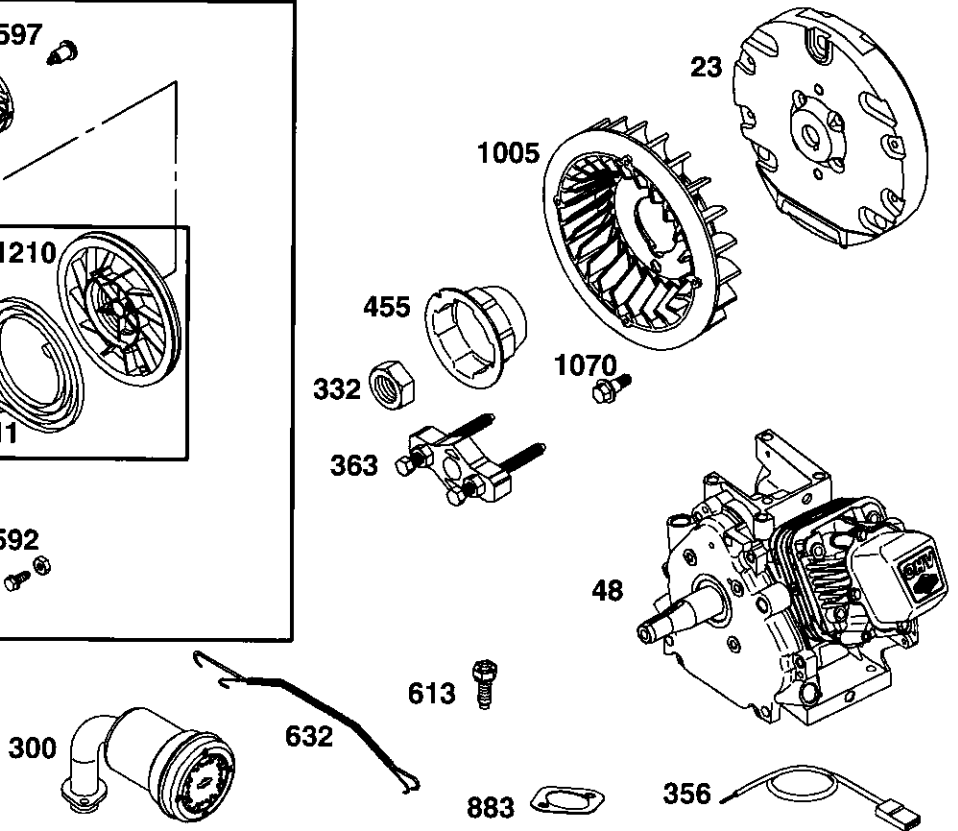


1036 EMISSIONS LABEL

1329 REPLACEMENT ENGINE



305



REPAIR PARTS

TILLER - - MODEL NUMBER 917.292860

ENGINE, BRIGGS & STRATTON -- MODEL NUMBER 120202, TYPE NO. 0422-E1

KEY NO.	PART NO.	DESCRIPTION	KEY NO.	PART NO.	DESCRIPTION
1	699510	Cylinder Assembly	188	699479	Screw (Control Bracket)
3	299819	• Seal-Oil (Magneto Side)	190	699220	Screw (Fuel Tank)
5	699486	Head-Cylinder	192	694543	Adjustor-Rocker Arm
7	698210	•+ Gasket-Cylinder Head	209	691278	Spring-Governor
11	790632	Tube-Breather	209A	692571	Spring-Governor
12	699485	• Gasket-Crankcase	219	693578	Gear-Governor
13	699482	Screw (Cylinder Head)	220	691724	Washer (Governor Gear)
15	691686	Plug-Oil Drain	222	699589	Bracket-Control
15A	691682	Plug-Oil Drain	227	692573	Control Lever-Governor
16	699445	Crankshaft	238	691300	Cap-Valve
18	699696	Cover-Crankcase	265	691024	Clamp-Casing
20	692550	• Seal-Oil (PTO Side)	267	699492	Screw (Casing Clamp)
21	281658	Cap-Oil Fill	271	694256	Lever-Control
22	699478	Screw (Engine Sump)	276	271716	Ø Sealing Washer
23	699488	Flywheel	281	699639	Panel-Control
24	222698	Key-Flywheel	300	693593	Muffler
25	790359	Piston Assembly (Standard)	304	699598	Housing-Blower
--	694168	Piston Assembly (.020" Oversize)	305	699480	Screw (Blower Housing)
26	499631	Ring Set (Standard)	306	693610	Shield-Cylinder
--	692786	Ring Set (.020" Oversize)	307	699483	Screw (Cylinder Shield)
27	691866	Lock-Piston Pin	332	699352	Nut (Flywheel)
28	499423	Pin-Piston	333	695711	Armature-Magneto
29	690124	Rod-Connecting	334	699477	Screw (Armature Magneto)
30	692562	Dipper-Connecting Rod	337	691043	Spark Plug
32	691664	Screw (Connecting Rod)	356	692390	Wire-Stop
32A	695759	Screw (Connecting Rod)	358	699638	Engine Gasket Set
33	499642	Valve-Exhaust	363	19069	Flywheel Puller
34	499641	Valve-Intake	365	699484	Screw (Carburetor)
35	691304	Spring-Valve (Intake)	383	19374	Wrench-Spark Plug
36	691304	Spring-Valve (Exhaust)	415	693463	Plug
40	692194	Retainer-Valve	425	699492	Screw (Air Cleaner Cover)
45	690977	Tappet-Valve	427	694255	Nut (Control Bracket)
46	693404	Camshaft	445	491588	Filter-Air Cleaner Cartridge
48	N/A	Short Block	455	692591	Cup-Flywheel
51	692555	• Ø‡+ Gasket-Intake	456	692299	Plate-Pawl Friction
55	691422	Housing-Rewind Starter	459	281505	Pawl-Ratchet
58	693389	Rope- Starter (Cut to Required Length)	504	694254	Washer Set
59	805957	Insert-Grip	505	691251	Nut (Governor Control Lever)
60	691915	Grip-Starter Rope	552	692346	Bushing-Governor Crank
65	690837	Screw (Rewind Starter)	562	691112	Bolt (Governor Control Lever)
95	691636	Screw (Throttle Valve)	592	690800	Nut (Rewind Starter)
97	690024	Shaft-Throttle	597	691696	Screw (Pawl Friction Plate)
98	398185	Kit-Idle Speed	601	95162	Clamp-Hose
104	691242	Ø Pin-Float Hinge	608	693394	Starter-Rewind
108	692567	Valve-Choke	613	699209	Screw (Muffler)
109	790624	Shaft-Choke	615	692576	Retainer-Governor Shaft
117	498978	Jet-Main (Standard)	616	692547	Crank-Governor
118	498975	Jet-Main (High Altitude)	619	699230	Screw (Cylinder Head Plate)
121	696998	Kit-Carburetor Overhaul	621	692310	Switch-Stop
122	693749	• Ø Spacer-Carburetor	632	693408	Spring/Link-Mechanical Governor
125	696981	Carburetor	633	693867	Ø‡ Seal-Choke/Throttle Shaft
127	691739	Ø Plug-Welch	633A	691321	Ø‡ Seal-Throttle Shaft
130	691181	Valve-Throttle	635	692076	Boot-Spark Plug
133	398187	Float-Carburetor			
134	398188	Ø Kit-Needle/Seat			
137	693981	Ø‡ Gasket-Float Bowl			
146	690979	Key-Timing			
155	698214	Plate-Cylinder Head			
161	790631	Base-Air Cleaner			
163	696024	Gasket-Air Cleaner			
186	692317	Connector-Hose			
187	691050	Line-Fuel (Cut to Required Length)			
187A	692601	Line-Fuel (Molded)			

- Included in Engine Gasket Set, Key. No. 358
- Ø Included in Carburetor Overhaul Kit, Key. No. 121
- ‡ Included in Carburetor Gasket Set, Key. No. 977
- + Included in Valve Gasket Set, Key. No. 1095

NOTE: All component dimensions given in U.S. inches 1 inch = 25.4 mm

REPAIR PARTS

TILLER - - MODEL NUMBER 917.292860

ENGINE, BRIGGS & STRATTON -- MODEL NUMBER 120202, TYPE NO. 0422-E1

KEY NO.	PART NO.	DESCRIPTION
663	699206	Screw (Control Panel)
668	694257	Spacer
676	393757	Deflector-Muffler
677	690661	Screw (Muffler Deflector)
689	691855	Spring-Friction
692	690572	Spring-Detent
718	690959	Pin-Locating
741	695087	Gear-Timing
742	692564	Retainer-E Ring
746	692566	Gear-Idler
773	694258	Retainer
830	694544	Stud (Rocker Arm)
832	693583	Guard-Muffler
836	699203	Screw (Muffler Guard)
836A	699632	Screw (Muffler Guard)
851	493880	Terminal-Spark Plug
868	692044	•+ Seal-Valve
883	691893	•+ Gasket-Exhaust
914	699481	Screw (Rocker Cover) (Bottom)
914A	692557	Screw (Rocker Cover) (Top)
914B	697551	Screw (Rocker Cover) (Center)
951	790630	Lever-Choke
957	694261	Cap-Fuel Tank
958	698180	Valve-Fuel Shut Off
961	698304	Screw (Air Cleaner Bracket)
967	273356	Filter-Pre Cleaner
968	693460	Cover-Air Cleaner
971	699629	Screw (Air Cleaner Base)
972	694260	Tank-Fuel
975	493640	Bowl-Float
977	697001	Set-Carburetor Gasket
993	694088	•+ Gasket-Cylinder Head Plate
1005	692592	Fan-Flywheel
1019	694852	Kit-Label
1022	691890	•+ Gasket-Rocker Cover
1023	499924	Cover-Rocker
1026	790287	Rod-Push
1029	691230	Arm-Rocker
1034	691343	Guide-Push Rod
1036	790634	Label-Emissions
1058	275092	Owner's Manual
1070	699201	Screw (Flywheel Fan)
1095	698215	Set-Valve Gasket
1210	498144	Assembly-Pulley/Spring (Pulley)
1211	498144	Assembly-Pulley/Spring (Spring)
1329	121A02-0020	Replacement Engine
1330	272147	Repair Manual

- Included in Engine Gasket Set, Key. No. 358
- ∅ Included in Carburetor Overhaul Kit, Key. No. 121
- ‡ Included in Carburetor Gasket Set, Key. No. 977
- + Included in Valve Gasket Set, Key. No. 1095

NOTE: All component dimensions given in U.S. inches 1 inch = 25.4 mm

SERVICE NOTES

SERVICE NOTES

LIMITED TWO YEAR WARRANTY ON CRAFTSMAN TILLER

For one year from date of purchase, when this Craftsman Tiller is maintained, lubricated, and tuned up according to the operating and maintenance instructions in the owner's manual, Sears will repair free of charge any defect in material or workmanship.

This Warranty does not cover:

- Expendable items which become worn during normal use, such as tines, spark plugs, air cleaners and belts.
- Repairs necessary because of operator abuse or negligence, including bent crankshafts and the failure to maintain the equipment according to the instructions contained in the owner's manual.
- If this Craftsman Tiller is used for commercial or rental purposes, this Warranty applies for only 30 days from the date of purchase.

WARRANTY SERVICE IS AVAILABLE BY RETURNING THE CRAFTSMAN TILLER TO THE NEAREST SEARS SERVICE CENTER/DEPARTMENT IN THE UNITED STATES. THIS WARRANTY APPLIES ONLY WHILE THIS PRODUCT IS IN USE IN THE UNITED STATES.

This Warranty gives you specific legal rights, and you may also have other rights which vary from state to state.

SEARS, ROEBUCK AND CO., D/817WA, HOFFMAN ESTATES, IL 60179

CRAFTSMAN®