

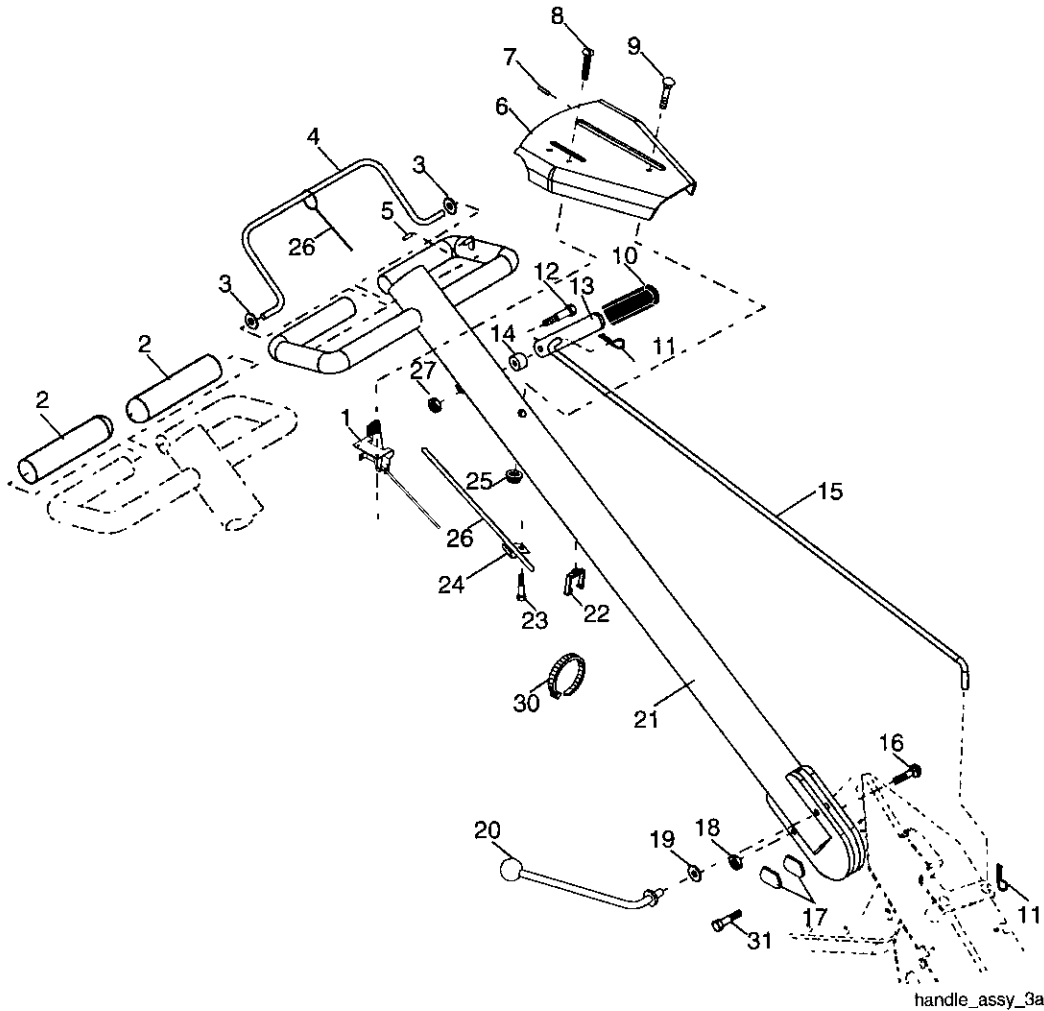
REPAIR PARTS MANUAL
MODEL NO. 292870
7.0 HP 17 Inch
Tiller

CRAFTSMAN®

REPAIR PARTS

TILLER - - MODEL NUMBER 917.292870

HANDLES



KEY NO.	PART NO.	DESCRIPTION
1	180634	Throttle, Control
2	141406	Grip, Handle
3	110673X	Grommet, Handle
4	127254X	Bar, Drive Control Assembly
5	6712J	Cap, Vinyl
6	188403X020	Panel, Control
7	110641X	Bushing, Split
8	17720408	Screw 1/4-20 x 1/2
9	72010520	Bolt, 5/16-18 x 2-1/2
10	110646X	Handle, Grip
11	STD624004	Retainer Spring
12	81328	Bolt, Shoulder
13	187497	Handle, Shift
14	109313X	Grommet, Rubber
15	110702X	Rod, Shift
16	STD533710	Bolt, Rdhd Sqnk 3/8-16 x 1 Gr. 5
17	109229X	Lock, Handle

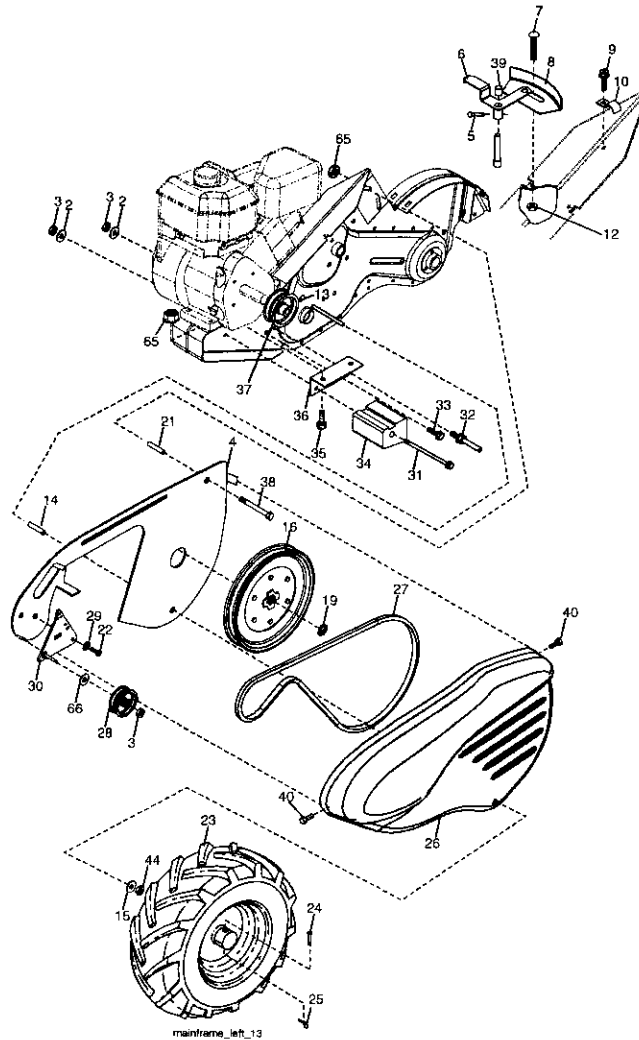
KEY NO.	PART NO.	DESCRIPTION
18	STD541437	Nut, Crownlock 3/8-16
19	19131611	Washer 13/32 x 1 x 11 Ga.
20	109228X	Lever, Lock, Handle
21	150628	Handle, Assemble
22	165197	Clip, Plastic, Cable
23	86777	Screw, Hex, Washer Hd, Slotted #10-24 x 1/2
24	9484R	Clip
25	73970500	Locknut, Hex, Flange
26	110675X	Clutch, Cable
27	73900400	Nut, Hex Flange 1/4-20 unc
30	7192J	Tie, Cable
31	150696	Bolt, Pivot

NOTE: All component dimensions given in U.S. inches.
1 inch = 25.4 mm

REPAIR PARTS

TILLER - - MODEL NUMBER 917.292870

MAINFRAME, LEFT SIDE



KEY NO.	PART NO.	DESCRIPTION
2	STD551137	Washer, Lock 3/8
3	STD541037	Nut, Hex 3/8-16
4	170127	Shield, Inner Belt Guard
5	164329	Pin, Shift Lever
6	162756X615	Lever, Shift
7	STD532505	Bolt, Carriage 1/4-20 x 1/2 Gr. 5
8	161530	Plate, Shift Indicator
9	86777	Screw, Hex, Washer Head, Slotted #10-24 x 1/2
10	9484R	Clip
12	73510400	Nut, Keps Hex 1/4-20 unc
13	23230506	Screw, Set, 5/16-18 x 3/8
14	110652X	Spacer, Split .327 x .42 x 2.09
15	STD551031	Washer 11/32 x 11/16 x 16 Ga.
16	145102	Sheave, Transmission
19	12000028	Ring, Retainer
21	156117	Spacer, Split .327 x .42 x 1.220
22	74770508	Bolt, Fin Hex 5/16-24 x 1/2
23	102190X	Tire
	183122X624	Rim
	795R	Tire Valve
24	126875X	Rivet, Drilled
25	STD624008	Retainer Spring

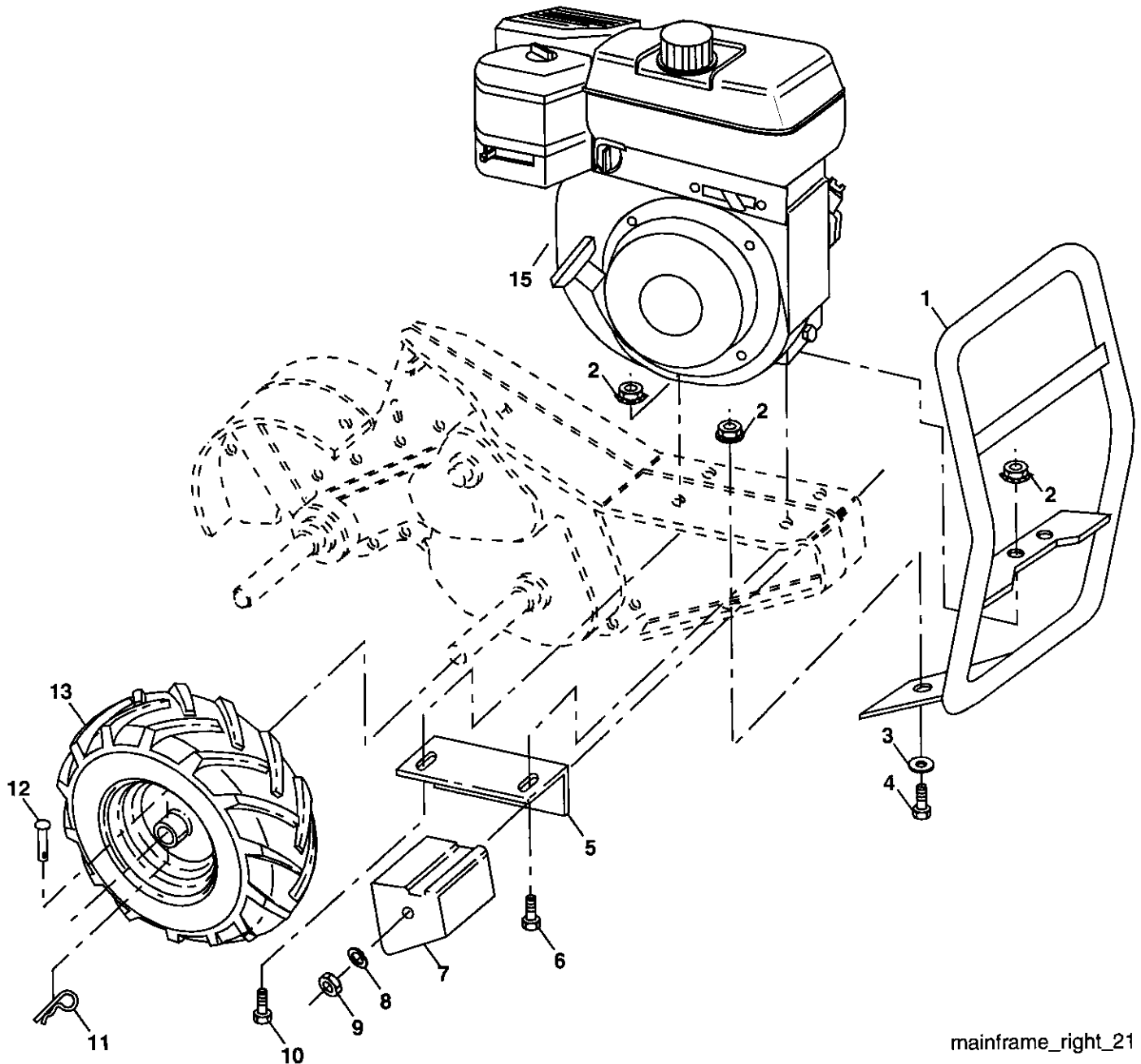
KEY NO.	PART NO.	DESCRIPTION
26	165501X615	Guard, Belt
27	132801	Belt, V
28	104679X	Pulley, Idler
29	12000032	Ring, Klip
30	159229	Bracket, Idler
31	102384X	Bolt, Hex 5/16-16 x 12
32	102141X	Shaft, Idler Arm
33	STD523710	Bolt, Hex 3/8-16 x 1
34	102383X	Counterweight, L.H.
35	74760528	Bolt Fin Hex 5/16-18 unc x 1-3/4
36	102331X	Bracket, Reinforcement, L.H.
37	130812	Sheave, Engine
38	74760544	Bolt, Fin Hex 5/16-18 x 2-3/4
39	140062	Cap, Plunger
40	170488	Screw Hex Wsh. Slit #10-24 x .50
44	STD541431	Nut, Lock 5/16-18
65	73970500	Nut, Lock Hex Flange
66	19131312	Washer

NOTE: All component dimensions given in U.S. inches.
1 inch = 25.4 mm

REPAIR PARTS

TILLER - - MODEL NUMBER 917.292870

MAINFRAME, RIGHT SIDE



mainframe_right_21

KEY NO.	PART NO.	DESCRIPTION
1	185190	Bumper
2	73970500	Locknut, Hex, Flange 5/16-18
3	STD551031	Washer 11/32 x 11/16 x 16 Ga.
4	74760512	Bolt, Hex 5/16-18 x 3/4
5	102332X	Bracket, Reinforcement
6	74760528	Bolt, Fin Hex 5/16-18 unc x 1-3/4
7	102173X	Counter Weight, R.H.
8	STD551137	Washer, Lock 3/8
9	STD541037	Nut, Hex 3/8-16
10	74760524	Bolt, Hex 5/16-18 x 1-1/2
11	STD624008	Retainer Spring

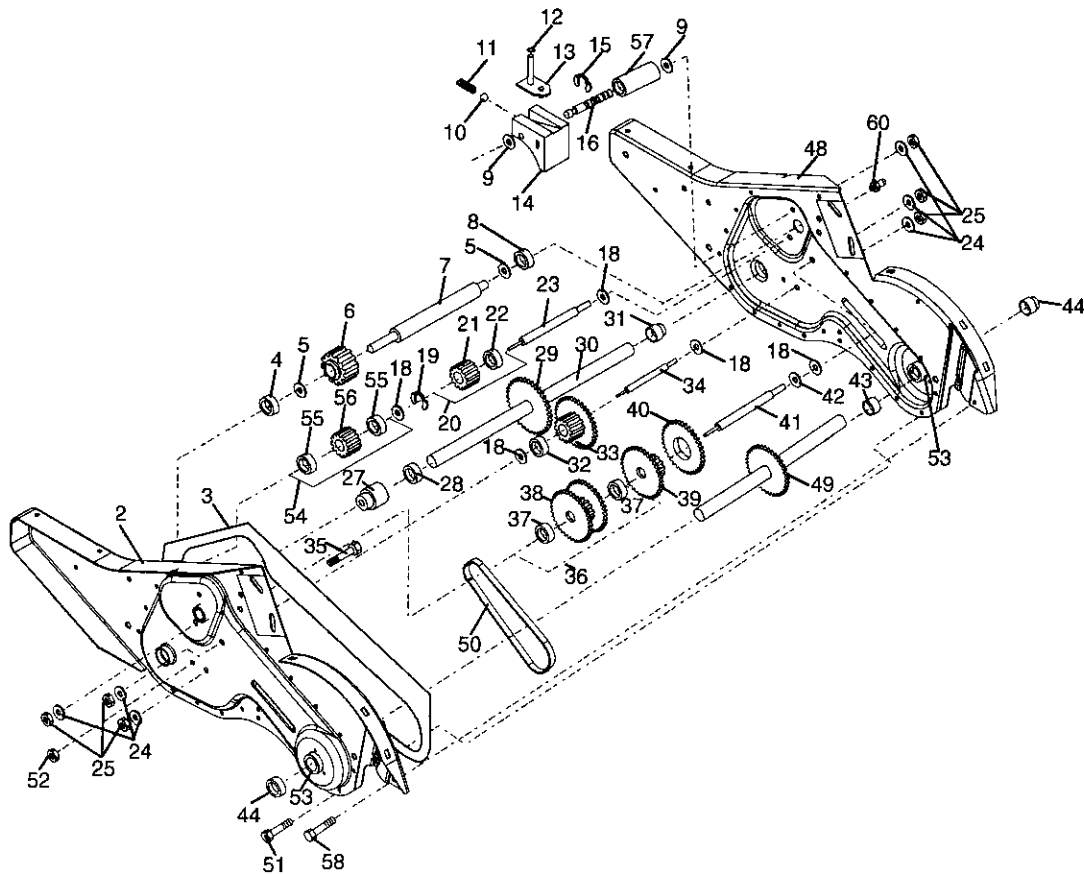
KEY NO.	PART NO.	DESCRIPTION
12	126875X	Rivet, Drilled
13	102190X	Tire
	183122X624	Rim
	795R	Tire Valve
15	-----	Engine, Briggs Model No. 122002-0496-E1 (See Breakdown)
16	7192J	Tie Cable

NOTE: All component dimensions given in U.S.inches.
1 inch = 25.4 mm

REPAIR PARTS

TILLER - - MODEL NUMBER 917.292870

TRANSMISSION



transmission_7

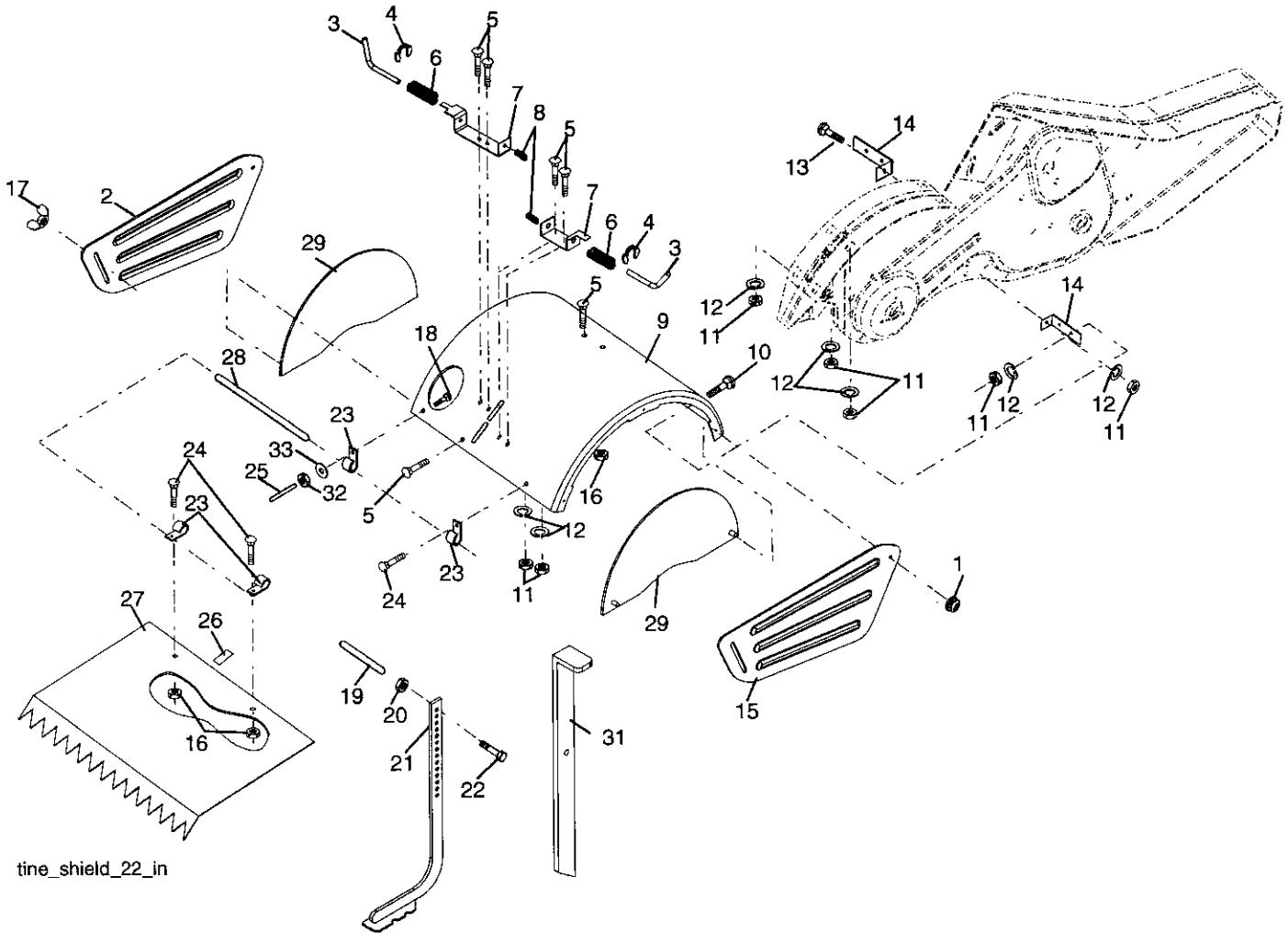
KEY NO.	PART NO.	DESCRIPTION	KEY NO.	PART NO.	DESCRIPTION
1	188240	Transmission Assembly (Includes Key Nos. 2-52)	32	106388X	Spacer 0.70 x 1.00 x 1.150
2	188220	Gearcase, L.H. w/Bearing (Includes Key No. 4)	33	102121X	Sprocket and Gear Assembly
3	161963	Gasket, Gearcase	34	102112X	Shaft, Reduction (2nd)
4	5020J	Bearing, Needle	35	102101X	Screw, Whiz, Lock 5/16-18 x 3-1/2
5	1370H	Washer, Thrust 5/8 x 1.10 x 1/32	36	161524	Sprocket Assembly w/Bearing (Includes Key Nos. 37 and 38)
6	161520	Pinion, Input	37	100413K	Bearing, Needle
7	161518	Shaft, Input	38	161525	Sprocket, Tine
8	4895H	Bearing, Needle	39	161526	Gear, Cluster, Red 1st & 2nd
9	154467	Washer, Seal	40	105346X	Gear, Reverse
10	7392M	Ball, Steel	41	161523	Shaft, Reduction (1st)
11	100371K	Spring, Shift, Fork	42	4220R	Washer, Thrust
12	106160X	O-Ring	43	106146X	Spacer 1.01 x 1.75 x 0.760
13	142145	Arm, Shift	44	155236	Seal Asm. Oil
14	8353J	Fork, Shift	48	188235	Gearcase, R.H. w/Bearing (Includes Key No. 8)
15	12000039	Ring, Klip	49	132688	Shaft, Tine
16	161516	Shaft, Shift	50	106147X	Chain, Roller #50-50 Pitch
18	4358J	Washer	51	17720408	Screw 1/4-20 x 1/2
19	12000040	Ring, Klip	52	73220500	Nut, Hex 5/16-18
20	102114X	Gear, Assembly, Reverse Idler (Includes Key Nos. 21 and 22)	53	165140	Bearing Kit, Tine Shaft
21	102115X	Gear, Reverse Idler	54	161528	Gear, DRT Idler w/Bearing (Includes Key No. 55)
22	6803J	Bearing, Needle	55	3400R	Bearing, Needle
23	161527	Shaft, Reverse Idler	56	161529	Gear, DRT Idler
24	STD551143	Washer, Lock 7/16	57	165889	Spacer, Split .52 x .64 x 1.04
25	STD541143	Nut, Hex 7/16-20	58	179520	Screw 1/4-20 x .875
27	143009	Bearing, Shaft, Ground Drive L.H.	60	183226	Fitting Grease
28	106390X	Spacer 0.765 x 1.125 x 1.23	--	6066J	Grease, Plastilube #1
29	102134X	Chain #35-50 Pitch			
30	150737	Ground Shaft Assembly			
31	143008	Bearing, Shaft, Ground Drive R.H.			

NOTE: All component dimensions given in U.S. inches.
1 inch = 25.4 mm

REPAIR PARTS

TILLER - - MODEL NUMBER 917.292870

TINE SHIELD



tine_shield_22_in

KEY NO.	PART NO.	DESCRIPTION
1	73900500	Nut, Lock Hex Flange 5/16-18 unc
2	161415X615	Shield, Side, Outer L. H.
3	8393J	Pin, Stake, Depth
4	12000035	Ring, Klip
5	180847	Bolt Rdhd Sqnk 5/16-18 x 3/4
6	8394J	Spring
7	8392J	Bracket, Latch
8	109230X	Spring, Depth Stake
9	188862X615	Shield, Tine
10	STD533110	Bolt, Carriage 5/16-18 x 1 Gr. 5
11	STD551131	Washer, Lock 5/16
12	STD541031	Nut, Hex 5/16-18
13	72110510	Bolt, Carriage 5/16-18 x 1-1/4
14	124343X	Bracket, Shield Tine
15	161414X615	Shield, Side, Outer R.H.
16	73900400	Nut, Hex Flange 1/4-20
17	162175	Nut, Wing Forged 5/16-18
18	STD532512	Bolt, Carriage 1/4-20 x 1-1/4 Gr. 5

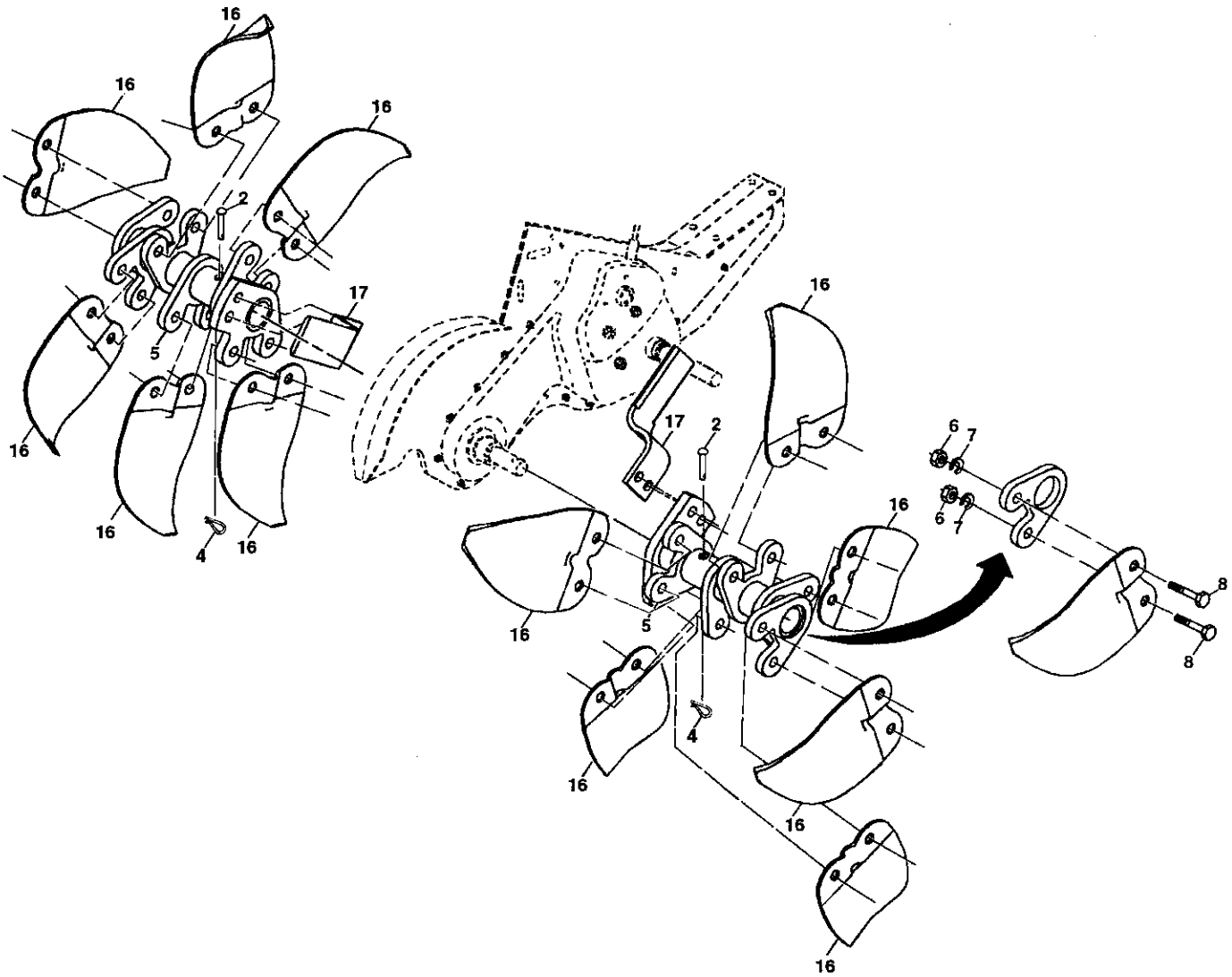
KEY NO.	PART NO.	DESCRIPTION
19	102701X	Grip
20	STD541037	Nut, Hex 3/8-16
21	102156X	Stake, Depth
22	74930632	Bolt, Hex 3/8-16 x 2
23	4440J	Hinge
24	72140404	Bolt, Carriage 1/4-20 x 1/2
25	6712J	Cap, Vinyl
26	109227X	Pad, Idler
27	102695X615	Shield, Leveling
28	120588X	Pin, Hinge
29	104085X615	Shield, Side
31	188454X613	Stake, Drag
32	73220400	Nut, Fin, Hex 1/4-20 unc
33	STD551125	Washer Lock Hvy Helical 1/4

NOTE: All component dimensions given in U.S. inches.
1 inch = 25.4 mm

REPAIR PARTS

TILLER - - MODEL NUMBER 917.292870

TINE ASSEMBLY



KEY NO.	PART NO.	DESCRIPTION
2	132673	Pin, Shear
4	3146R	Clip, Hairpin
5	188845	Hub Assembly
6	73610600	Nut, Hex 3/8-24
7	STD551137	Washer, Lock 3/8

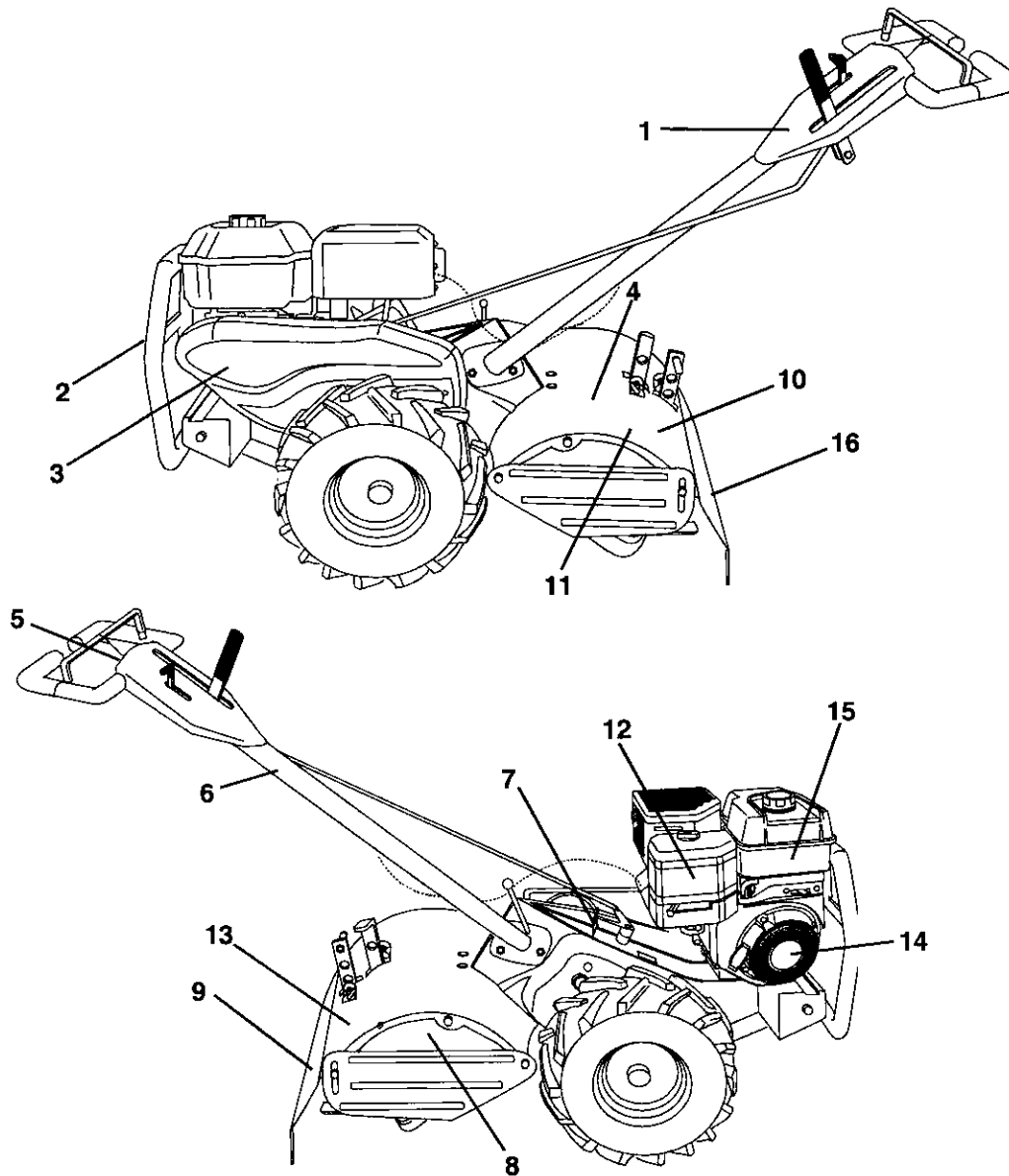
KEY NO.	PART NO.	DESCRIPTION
8	74610616	Bolt, Hex 3/8-24 x 1
16	163499	Tine, Spade
17	163500	Tine, Cleaning

NOTE: All component dimensions given in U.S. inches.
1 inch = 25.4 mm

REPAIR PARTS

TILLER -- MODEL NUMBER 917.292870

DECALS

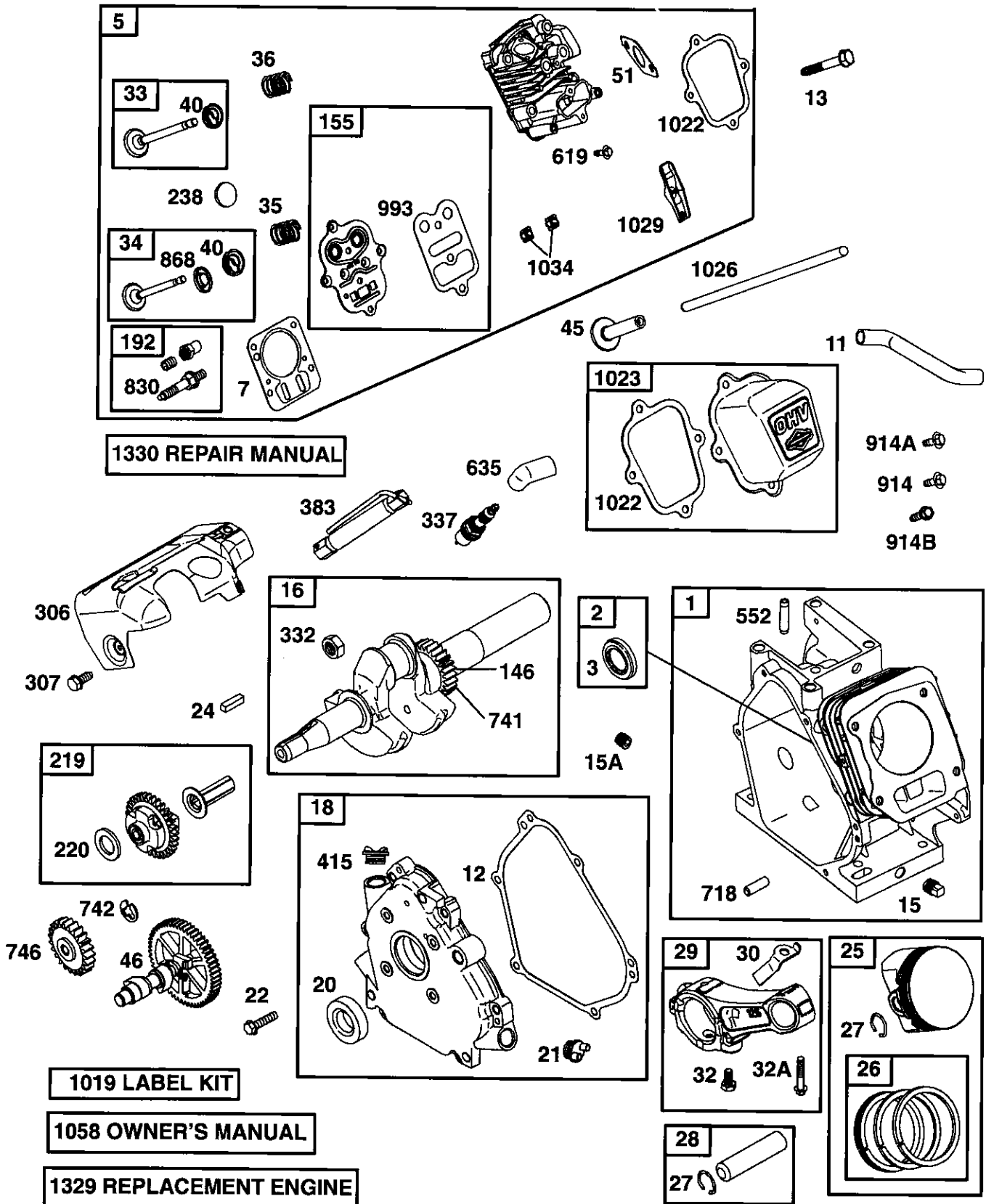


KEY NO.	PART NO.	DESCRIPTION
1	196641	Decal, Control Panel
2	145023	Decal, Logo
3	196639	Decal, Belt Guard
4	196633	Decal, Tine Shield
5	196622	Decal, Caution, Drive Control
6	159877	Decal, Hand Placement
7	196621	Decal, Shift Indicator
8	196638	Decal, Tine, Shield, Counter Rotating Tines
9	176557	Decal, Warning, DRT
10	196636	Decal, Tine Shield DRT REV
11	196620	Decal, Tine Warning
12	191118	Decal, Engine
13	196634	Decal, Tine Shield
14	171078	Decal, Rewind
15	177854	Decal, Engine
16	145437	Decal, Euro
--	196555	Manual, Operator's (Euro)
--	196556	Manual, Operator's (Scand)
--	196557	Manual, Parts

REPAIR PARTS

TILLER - - MODEL NUMBER 917.292870

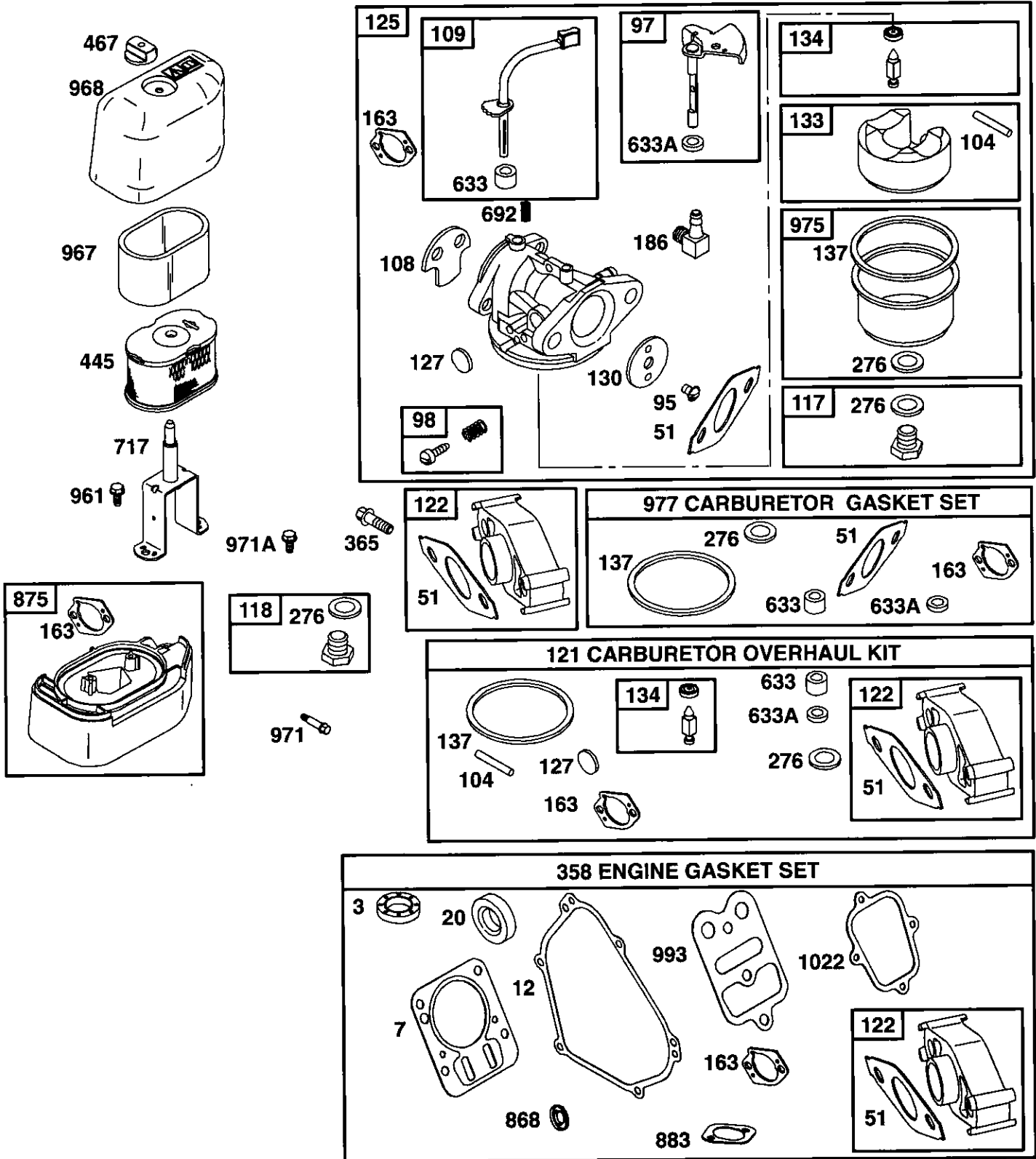
ENGINE, BRIGGS & STRATTON -- MODEL NUMBER 122002, TYPE NO. 0496-E1



REPAIR PARTS

TILLER - - MODEL NUMBER 917.292870

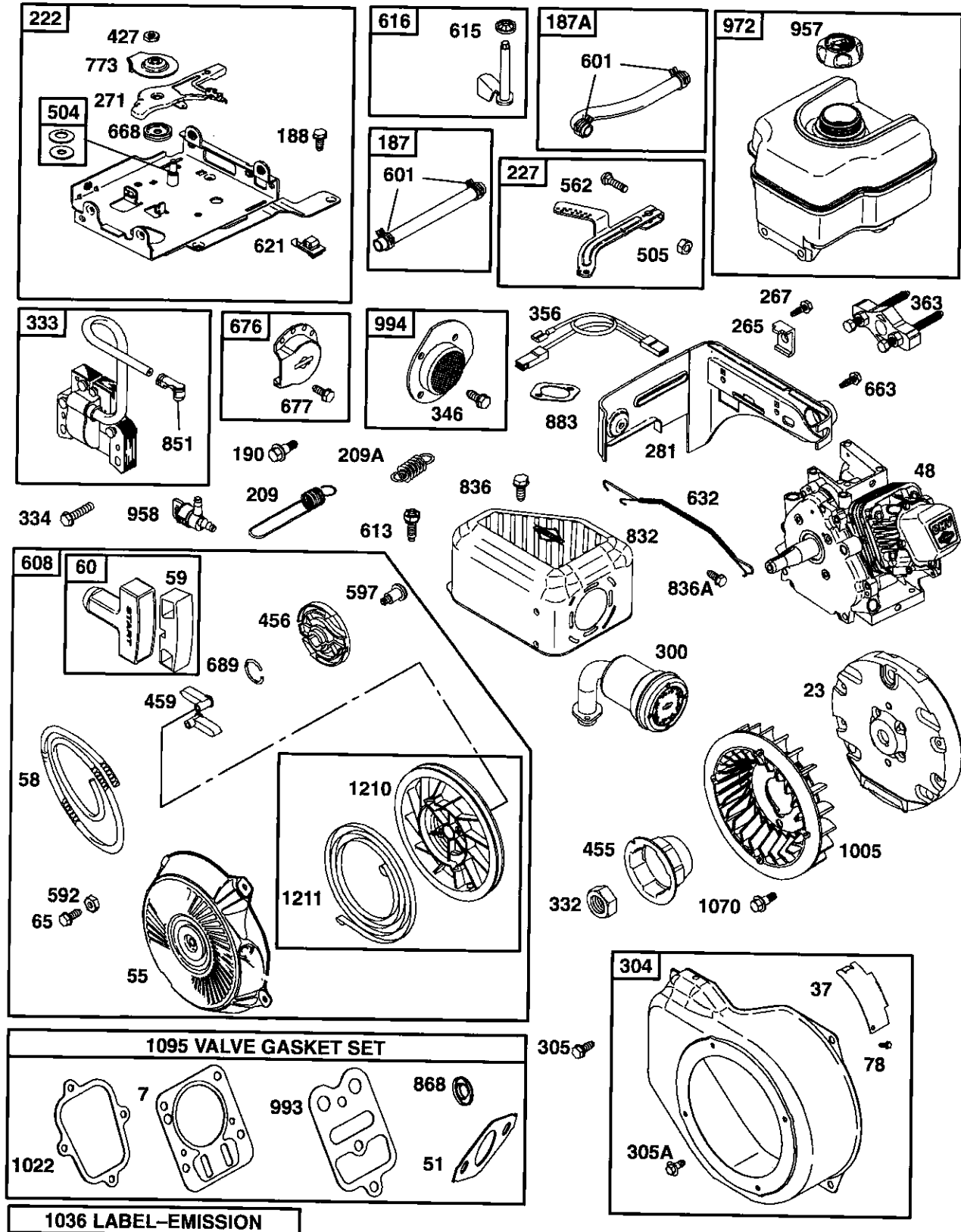
ENGINE, BRIGGS & STRATTON -- MODEL NUMBER 122002, TYPE NO. 0496-E1



REPAIR PARTS

TILLER -- MODEL NUMBER 917.292870

ENGINE, BRIGGS & STRATTON -- MODEL NUMBER 122002, TYPE NO. 0496-E1



REPAIR PARTS

TILLER - - MODEL NUMBER 917.292870

ENGINE, BRIGGS & STRATTON -- MODEL NUMBER 122002, TYPE NO. 0496-E1

KEY NO.	PART NO.	DESCRIPTION	KEY NO.	PART NO.	DESCRIPTION
1	699505	Cylinder Assembly	186	692317	Connector-Hose
2	399269	Kit-Bushing/Seal (Magneto Side)	187	691050	Line-Fuel (Cut to Required Length)
3	299819	• Seal-Oil (Magneto Side)	187A	692601	Line-Fuel (Molded)
5	699486	Head-Cylinder	188	699479	Screw (Control Bracket)
7	698210	•+ Gasket-Cylinder Head	190	699220	Screw (Fuel Tank)
11	693647	Tube-Breather	192	694543	Ball-Rocker Arm
12	699485	• Gasket-Crankcase	209	692571	Spring-Governor
13	699482	Screw (Cylinder Head)	209A	691278	Spring-Governor
15	691686	Plug-Oil Drain	219	693578	Gear-Governor
15A	691682	Plug-Oil Drain	220	691724	Washer-Thrust
16	699445	Crankshaft	222	699589	Bracket-Control
18	699696	Cover-Crankcase	227	692573	Control Lever-Governor
20	692550	• Seal-Oil (PTO Side)	238	691300	Cap-Valve
21	281658	Cap-Oil Fill	265	691024	Clamp-Casing
22	699478	Screw (Crankcase Cover)	267	699492	Screw (Casing Clamp)
23	699488	Flywheel	271	694256	Lever-Control
24	222698	Key-Flywheel	276	271716	Ø‡ Washer-Sealing
25	499627	Piston Assembly (Standard)	281	699639	Panel-Control
--	692789	Piston Assembly (.020" Oversize)	300	693593	Muffler
26	499631	Ring Set-Piston (Standard)	304	699598	Housing-Blower
--	692786	Ring Set-Piston (.020"Oversize)	305	699480	Screw (Blower Housing)
27	691866	Lock-Piston Pin	306	693610	Shield-Cylinder
28	499423	Pin-Piston	307	699483	Screw (Cylinder Shield)
29	690124	Rod-Connecting	332	699359	Nut (Flywheel)
30	692562	Dipper-Connecting Rod	333	695711	Armature-Magneto
32	691664	Screw (Connecting Rod)	334	699477	Screw (Armature Magneto)
32A	695759	Screw (Connecting Rod)	337	691043	Spark Plug
33	499642	Valve-Exhaust	346	690661	Screw (Spark Arrestor)
34	499641	Valve-Intake	356	692390	Wire-Stop
35	691304	Spring-Valve (Intake)	358	699638	Engine Gasket Set
36	691304	Spring-Valve (Exhaust)	363	19069	Flywheel Puller
37	699661	Guard-Flywheel	365	699484	Screw (Carburetor)
40	692194	Retainer-Valve	383	19374	Wrench-Spark Plug
45	690977	Tappet-Valve	415	693463	Cap-Oil Fill
46	693404	Camshaft	427	694255	Nut (Control Bracket)
48	N/A	Short Block	445	697029	Filter-Air Cleaner Cartridge
51	692555	• Ø‡+ Gasket-Intake (Two Required)	455	692591	Cup-Flywheel
55	691422	Housing-Rewind Starter	456	692299	Plate-Pawl Friction
58	693389	Rope-Starter (Cut to Required Length)	459	281505	Pawl-Ratchet
59	805957	Insert-Grip	467	691668	Knob-Air Cleaner
60	691915	Grip-Starter Rope	504	694254	Washer Set
65	690837	Screw (Rewind Starter)	505	691251	Nut (Governor Control Lever)
78	699205	Screw (Flywheel Guard)	552	692346	Bushing-Governor Crank
95	691636	Screw (Throttle Valve)	562	691119	Bolt (Governor Control Lever)
97	690024	Shaft-Throttle	592	690800	Nut (Rewind Starter)
98	398185	Kit-Idle Speed	597	691696	Screw (Pawl Friction Plate)
104	691242	Ø Pin-Float Hinge	601	95162	Clamp-Hose
108	692567	Plate-Choke	608	693394	Starter-Rewind
109	693628	Shaft-Choke	613	699209	Screw (Muffler)
117	698344	Jet-Main (Standard)	615	692576	Retainer-Governor Shaft
118	694176	Jet-Main (High Altitude)	616	692547	Crank-Governor
121	696998	Kit-Carburetor Overhaul	619	699230	Screw (Cylinder Head Plate)
122	693749	•Ø‡ Spacer-Carburetor	621	692310	Switch-Stop
125	698475	Carburetor			
127	691739	Ø Plug-Welch			
130	691181	Valve-Throttle			
133	398187	Float-Carburetor			
134	398188	Ø Valve-Needle/Seat			
137	693981	Ø‡ Gasket-Float Bowl			
146	690979	Key-Timing			
155	698214	Plate-Cylinder Head			
163	696979	•Ø‡ Gasket-Air Cleaner			

• Included in Engine Gasket Set, Key. No. 358
 Ø Included in Carburetor Overhaul Kit, Key. No. 121
 ‡ Included in Carburetor Gasket Set, Key. No. 977
 + Included in Valve Gasket Set, Key. No. 1095

NOTE: All component dimensions given in U.S. inches 1 inch = 25.4 mm

REPAIR PARTS

TILLER - - MODEL NUMBER 917.292870

ENGINE, BRIGGS & STRATTON -- MODEL NUMBER 122002, TYPE NO. 0496-E1

KEY NO.	PART NO.	DESCRIPTION
632	693408	Spring/Link-Mechanical Governor
633	693867	∅‡ Seal-Choke/Throttle Shaft
633A	691321	∅‡ Seal-Choke/Throttle Shaft
635	692076	Boot-Spark Plug
663	699206	Screw (Control Panel)
668	694257	Spacer
676	393757	Deflector-Muffler
677	690661	Screw (Muffler Deflector)
689	691855	Spring-Friction
692	690572	Spring-Detent (Choke)
717	693462	Bracket-Air Cleaner
718	690959	Pin-Locating
741	695087	Gear-Timing
742	692564	Ring-Retaining
746	692566	Gear-Idler
773	694258	Retainer
830	694544	Stud-Rocker Arm
832	693583	Guard-Muffler
836	699632	Screw (Muffler Guard)
836A	699203	Screw (Muffler Guard)
851	493880	Terminal-Spark Plug
868	692044	•+ Seal-Valve
875	697030	Base-Air Cleaner
883	691893	• Gasket-Exhaust
914	697551	Screw (Rocker Cover)(Center)
914A	692557	Screw (Rocker Cover)(Top)
914B	699481	Screw (Rocker Cover)(Bottom)
957	694261	Cap-Fuel Tank
958	698180	Valve-Fuel Shutoff
961	698304	Screw (Air Cleaner Bracket)
967	273356	Filter-Pre Cleaner
968	693460	Cover-Air Cleaner
971	690349	Screw (Air Cleaner Base)
971A	699629	Screw (Air Cleaner Base)
972	694260	Tank-Fuel
975	493640	Bowl-Float
977	697001	Set-Carburetor Gasket
993	694088	•+ Gasket-Cylinder Head Plate
994	399541	Arrestor-Spark
1005	692592	Fan-Flywheel
1019	694852	Kit-Label
1022	691890	•+ Gasket-Rocker Cover
1023	499924	Cover-Rocker Arm
1026	790287	Rod-Push
1029	691230	Arm-Rocker
1034	691343	Guide-Push Rod
1036	790634	Label-Emission
1058	275092	Owner's Manual
1070	699201	Screw (Flywheel Fan)
1095	698215	Set-Valve Gasket
1210	498144	Assembly-Pulley/Spring (Pulley)
1211	498144	Assembly-Pulley/Spring (Spring)
1329	122002-0496	Replacement Engine

- Included in Engine Gasket Set, Key. No. 358
- ∅ Included in Carburetor Overhaul Kit, Key. No. 121
- ‡ Included in Carburetor Gasket Set, Key. No. 977
- + Included in Valve Gasket Set, Key. No. 1095

NOTE: All component dimensions given in U.S. inches 1 inch = 25.4 mm

SERVICE NOTES
