



**REPAIR PARTS MANUAL**  
**MODEL NO. 293000**  
**5.5 HP 17 Inch**  
**Tiller**

---

**CRAFTSMAN®**

## **LIMITED TWO YEAR WARRANTY ON CRAFTSMAN TILLER**

For two years from date of purchase, when this Craftsman Tiller is maintained, lubricated, and tuned up according to the operating and maintenance instructions in the owner's manual, Sears will repair free of charge any defect in material or workmanship.

This Warranty does not cover:

- Expendable items which become worn during normal use, such as tines, spark plugs, air cleaners and belts.
- Repairs necessary because of operator abuse or negligence, including bent crankshafts and the failure to maintain the equipment according to the instructions contained in the owner's manual.
- If this Craftsman Tiller is used for commercial or rental purposes, this Warranty applies for only 30 days from the date of purchase.

WARRANTY SERVICE IS AVAILABLE BY RETURNING THE CRAFTSMAN TILLER TO THE NEAREST SEARS SERVICE CENTER/DEPARTMENT IN THE UNITED STATES. THIS WARRANTY APPLIES ONLY WHILE THIS PRODUCT IS IN USE IN THE UNITED STATES.

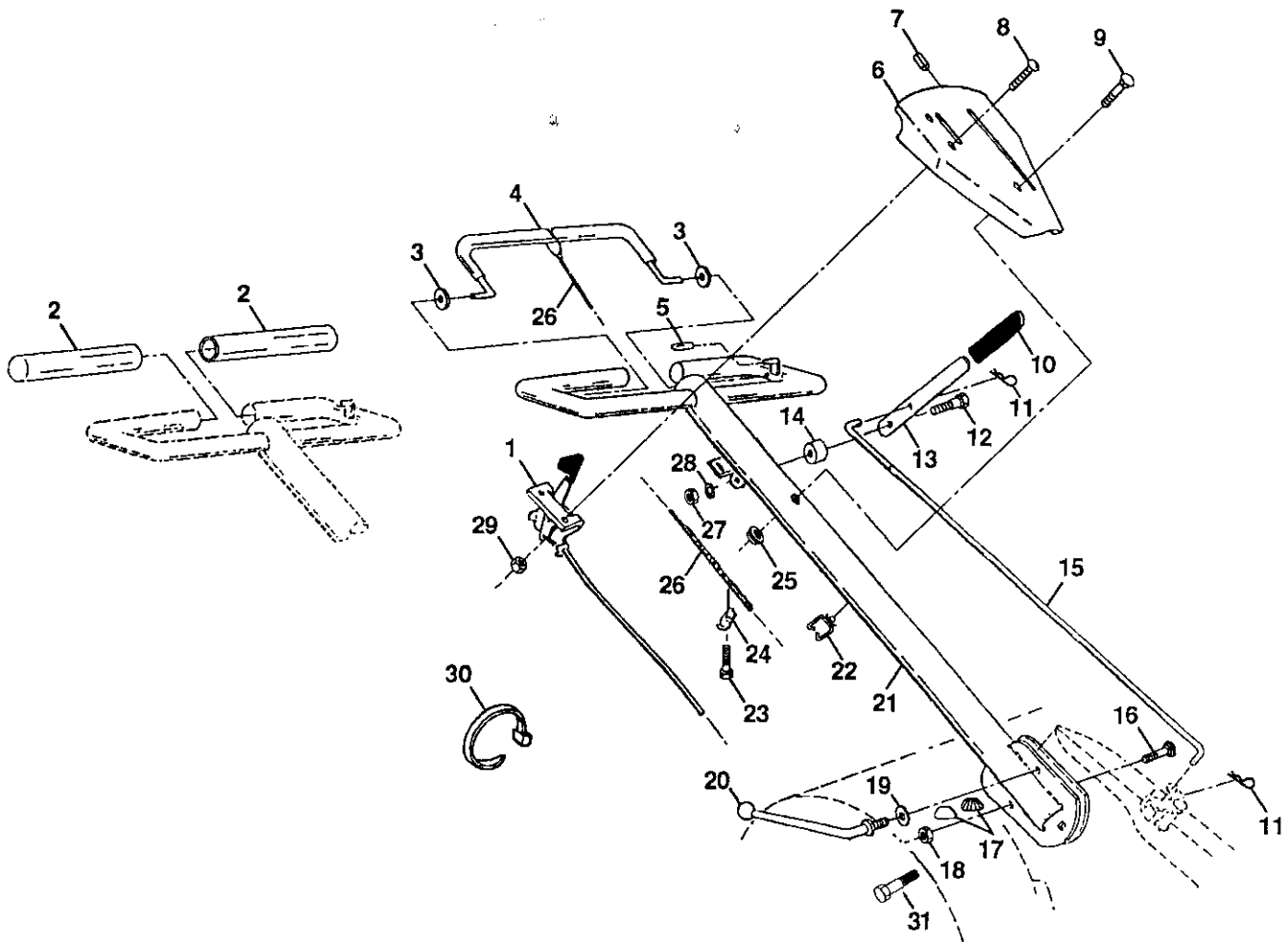
This Warranty gives you specific legal rights, and you may also have other rights which vary from state to state.

SEARS, ROEBUCK AND CO., D/817WA, HOFFMAN ESTATES, IL 60179

# REPAIR PARTS

## TILLER - - MODEL NUMBER 917.293000

### HANDLES



KEY NO.	PART NO.	DESCRIPTION
1	148583	Throttle, Control
2	141406	Grip, Handle
3	110673X	Grommet, Handle
4	127254X	Bar, Assembly Control
5	6712J	Cap, Vinyl
6	137119	Panel, Control
7	110641X	Bushing, Split
8	71191008	* Screw 10-24
9	72010520	* Bolt, 5/16-18 x 2.50
10	110646X	Handle, Grip
11	STD624003	* Clip, Hairpin
12	81328	Bolt, Shoulder
13	110741X	Handle, Shift
14	109313X	Grommet, Rubber
15	110702	Rod, Shift
16	STD533710	* Bolt, Carriage 3/8-16 x 1 Gr. 5
17	109229X	Lock, Handle
18	STD541437	* Nut, Centerlock 3/8-16

KEY NO.	PART NO.	DESCRIPTION
19	19131611	Washer 13/32 x 1 x 11 Ga.
20	109228X	Lever, Lock, Handle
21	150258	Column, Handle, Asm.
22	165197	Clip, Nyl Blk, Cable
23	86777	Screw, Hex, Washer #10-24 x 1/2
24	9484R	Clip
25	73970500	Locknut, Hex, Flange
26	110675X	Clutch, Cable
27	STD541025	* Nut, Fin, Hex 1/4-20
28	STD551125	* Washer, Lock 1/4
29	STD541462	Nut, Keps #10-24
30	104164X	Tie, Cable
31	150696	Bolt, Pivot

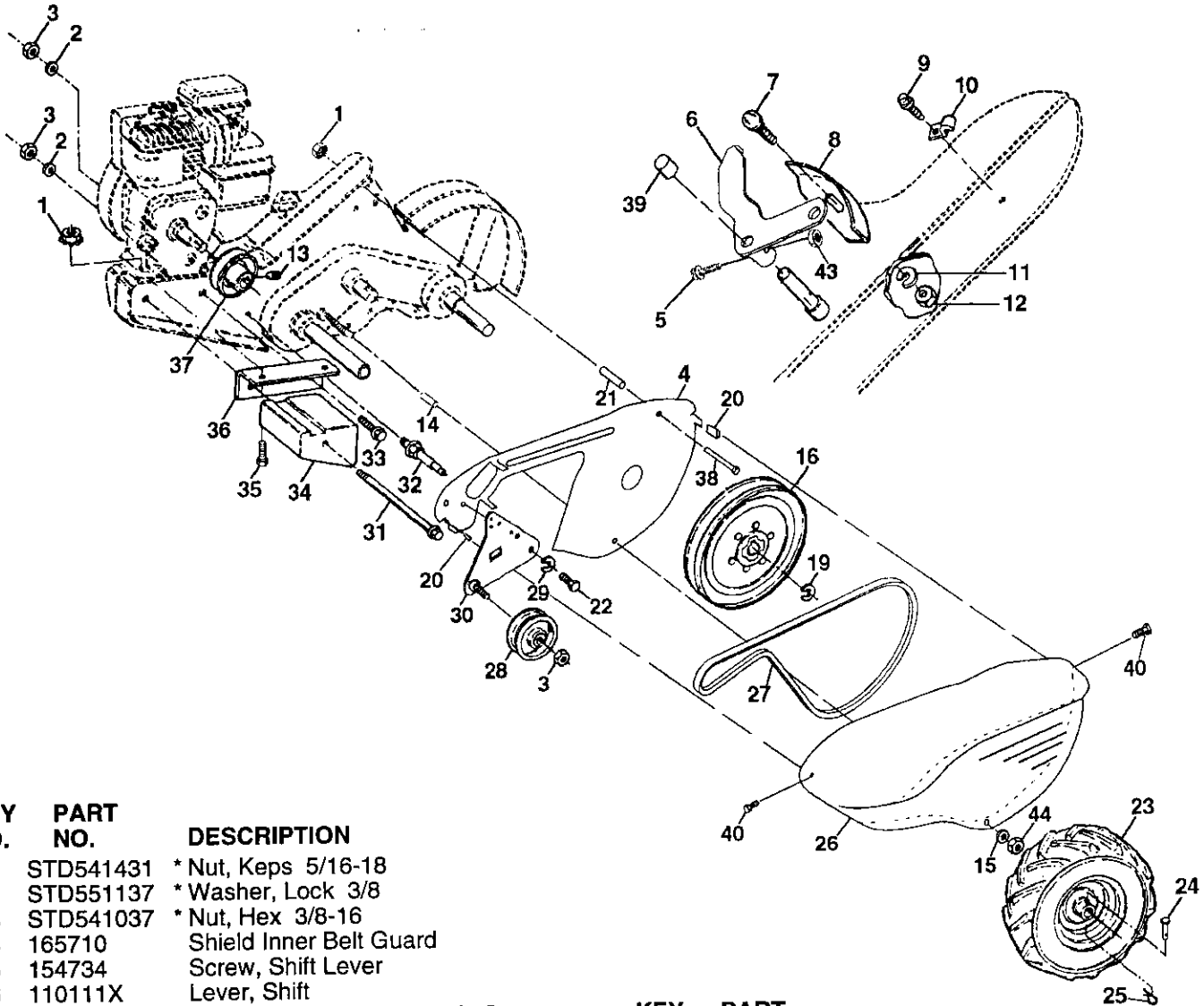
\* STANDARD HARDWARE - - PURCHASE  
LOCALLY Assembly

**NOTE:** All component dimensions given in U.S. inches.  
1 inch = 25.4 mm

# REPAIR PARTS

## TILLER -- MODEL NUMBER 917.293000

### MAINFRAME, LEFT SIDE



KEY NO.	PART NO.	DESCRIPTION
1	STD541431	* Nut, Keps 5/16-18
2	STD551137	* Washer, Lock 3/8
3	STD541037	* Nut, Hex 3/8-16
4	165710	Shield Inner Belt Guard
5	154734	Screw, Shift Lever
6	110111X	Lever, Shift
7	STD532505	* Bolt, Carriage 1/4-20 x 1/2 Gr. 5
8	8700J	Plate, Shift Indicator
9	86777	Screw, Hex, Washer Head, Slotted #10-24 x 1/2
10	9484R	Clip
11	STD551125	* Washer, Lock 1/4
12	STD541025	* Nut, Hex 1/4-20
13	23230506	* Screw, Set, Hex 5/16-18 x 3/8
14	156117	Spacer, Split 0.327 x 0.42 x 1.220
15	STD551031	* Washer 11/32 x 11/16 x 16 Ga.
16	145102	Sheave, Transmission
19	12000028	Ring, Retainer
20	165504	Nut, J Clip #8
21	110652X	Spacer, Split 0.327 x 0.42 x 1.668
22	74770508	Bolt Fin Hex 5/16-24 Unf x 1/2
23	5015J	Tire
	128952	Rim
	795R	Tire Valve
24	126875X	Rivet, Drilled
25	STD624003	* Clip, Hairpin
26	165501	Guard, Belt
27	132801	Belt, V

KEY NO.	PART NO.	DESCRIPTION
28	104679X	Pulley, Idler
29	12000032	Ring, Klip
30	159229	Bracket, Idler
31	102384X	Bolt, Hex 5/16-16 x 12
32	102141X	Shaft, Idler Arm
33	STD523710	* Bolt, Hex 3/8-16 x 1
34	102383X	Counterweight, L. H.
35	74760524	Bolt, Hex 5/16-18 x 2
36	102331X	Bracket, Reinforcement, L. H.
37	130812	Sheave, Engine
38	74760544	Bolt Fin Hex 5/16-18 Unc x 2-3/4
39	140062	Cap, Plunger
40	165503	Screw Hex Wsh Hd #8-18 x 1/2
43	69180	Nut Lock #10-24
44	73800500	Nut Lock Hx W/Ins 5/16-18 Unc
45	165504	Nut, Clip
46	165503	Screw, #8-18 x 1/2

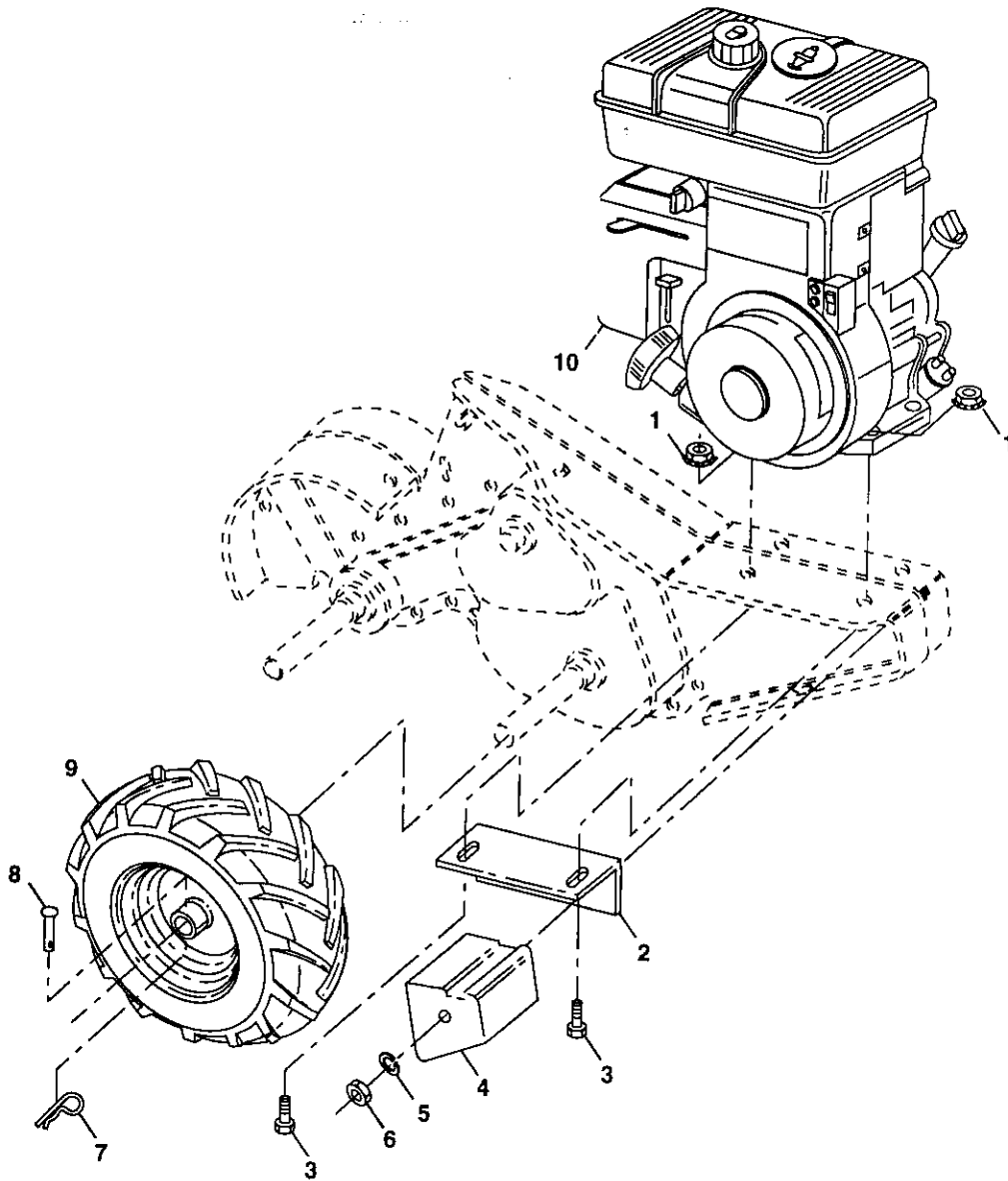
\* STANDARD HARDWARE -- PURCHASE LOCALLY

NOTE: All component dimensions given in U.S. inches.  
1 inch = 25.4 mm

# REPAIR PARTS

TILLER - - MODEL NUMBER 917.293000

MAINFRAME, RIGHT SIDE



KEY NO.	PART NO.	DESCRIPTION
1	STD541431	* Nut, Keps 5/16-18
2	102332X	Bracket, Reinforcement
3	74760524	Bolt, Hex 5/16-18 x 1-1/2
4	102173X	Counter Weight, R.H.
5	STD551137	* Washer, Lock 3/8
6	STD541037	* Nut, Hex 3/8-16
7	STD624003	* Clip, Hairpin
8	126875X	Rivet, Drilled

KEY NO.	PART NO.	DESCRIPTION
9	5015J 128952 795R	Tire Rim Tire Valve
10	-----	Engine(See breakdown) Briggs Model 134402-1120-E1

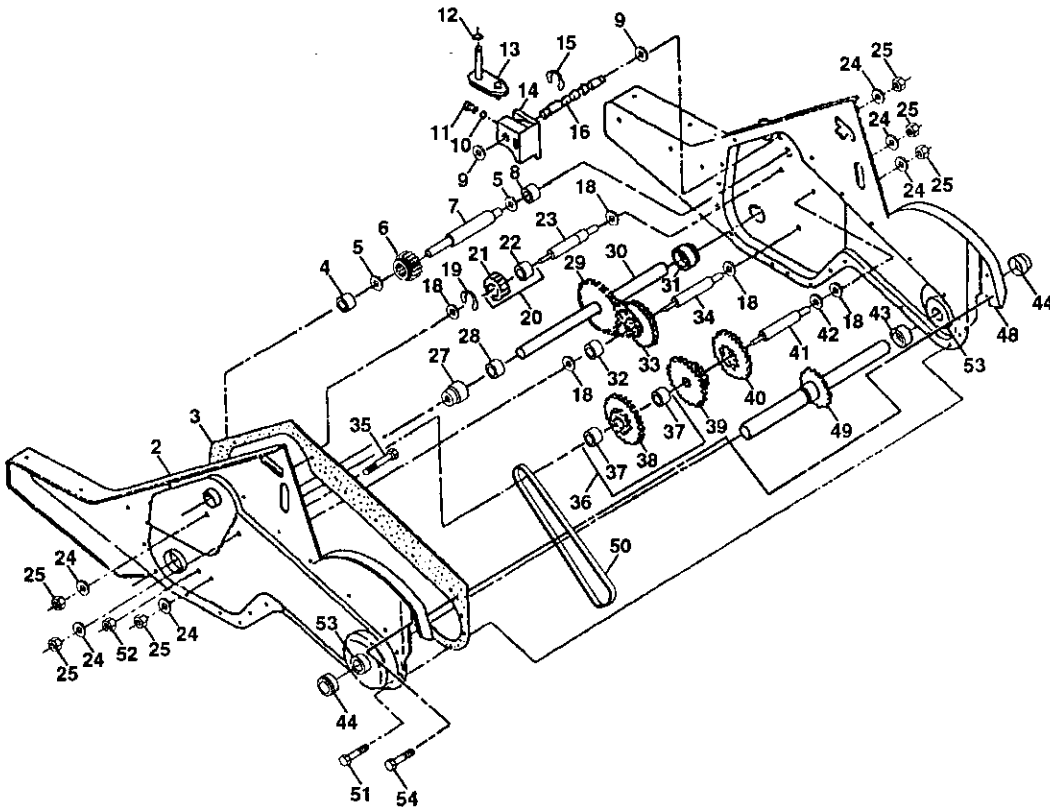
\* STANDARD HARDWARE - - PURCHASE LOCALLY

NOTE: All component dimensions given in U.S.inches.  
1 inch = 25.4 mm

# REPAIR PARTS

## TILLER - - MODEL NUMBER 917.293000

### TRANSMISSION



KEY NO.	PART NO.	DESCRIPTION	KEY NO.	PART NO.	DESCRIPTION
1	165728	Transmission Assembly (Includes Key Nos. 2-52)	30	150737	Ground Shaft Assembly
2	165729	Gearcase, L.H. w/Bearing (Includes Key No. 4)	31	143008	Bearing, Shaft, Ground Drive R.H.
3	161963	Gasket, Gearcase	32	106388X	Spacer 0.70 x 1.00 x 1.150
4	5020J	Bearing, Needle	33	102121X	Sprocket and Gear Assembly
5	1370H	Washer, Thrust 5/8 x 1.10 x 1/32	34	102112X	Shaft, Reduction (2nd)
6	137335	Pinion, Input	35	102101X	Screw, Wniz, Lock 5/16-18 x 3-1/2
7	145101	Shaft, Input	36	154355	Sprocket Assembly w/Bearing (Includes Key Nos. 37 and 38)
8	4895H	Bearing, Needle	37	4422J	Bearing, Needle
9	154467	Washer, Seal	38	154356	Sprocket, Tire
10	7392M	Ball, Steel	39	105345X	Gear, Cluster, Red 1st & 2nd
11	100371K	Spring, Shift, Fork	40	105346X	Gear, Reverse
12	106160X	O-Ring	41	8358J	Shaft, Reduction (1st)
13	142145	Arm., Shift	42	4220R	Washer, Thrust
14	8353J	Fork, Shift	43	106146X	Spacer 1.01 x 1.75 x 0.760
15	12000039	Ring, Klip	44	155236	Seal Asm Oil
16	154466	Shaft, Shift	48	165732	Gearcase, R.H. w/Bearing (Includes Key No. 8)
18	4358J	Washer	49	132688	Shaft, Tire
19	12000040	Ring, Klip	50	106147X	Chain, Roller #50-50 Pitch
20	102114X	Gear, Assembly, Reverse Idler (Includes Key Nos. 21 and 22)	51	17720408	Screw 1/4-20 x 1/2
21	102115X	Gear, Reverse Idler	52	STD541031	* Nut, Hex 5/16-18
22	6803J	Bearing, Needle	53	165140	Kit, Bearing
23	102111X	Shaft, Reverse Idler	54	17720412	Screw 1/4-20 x 3/4
24	STD551143	* Washer, Lock 7/16	--	6066J	Grease, Plastilube #1
25	STD541143	* Nut, Hex 7/16-20			
27	143009	Bearing, Shaft, Ground Drive L.H.			
28	106390X	Spacer 0.765 x 1.125 x 1.23			
29	102134X	Chain #35-50 Pitch			

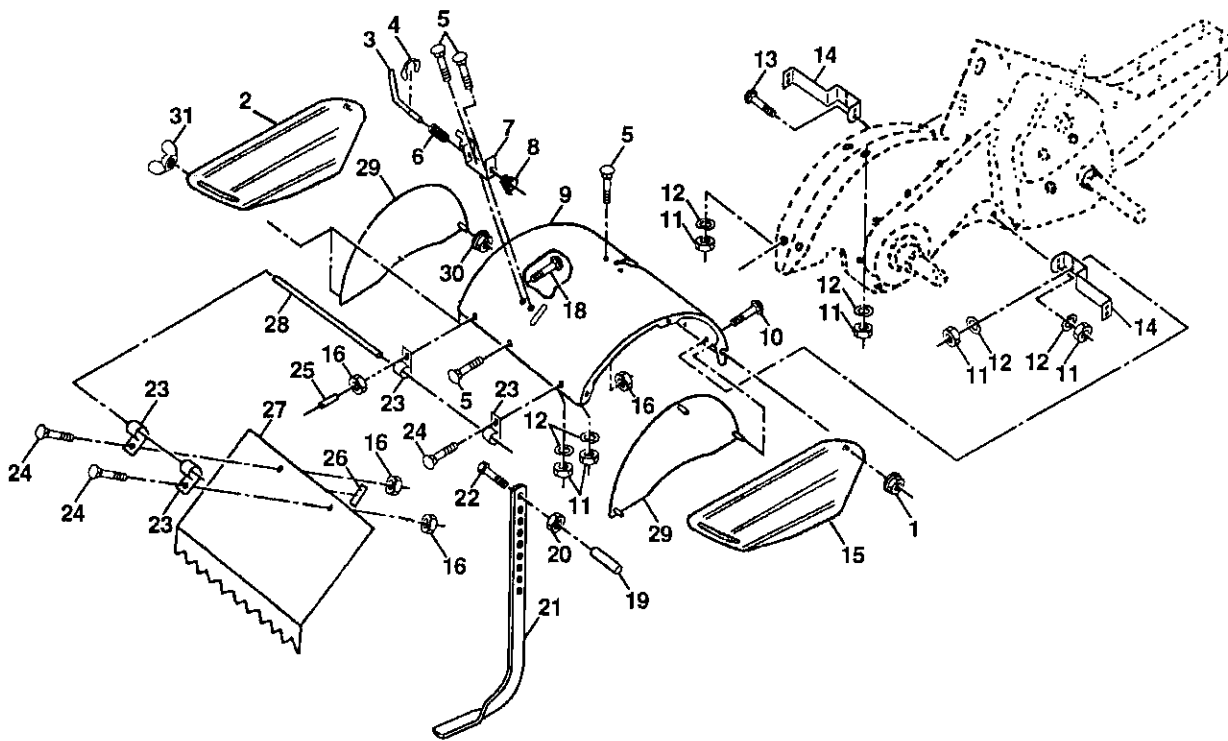
\* STANDARD HARDWARE - - PURCHASE LOCALLY

NOTE: All component dimensions given in U.S. inches.  
1 inch = 25.4 mm

# REPAIR PARTS

## TILLER - - MODEL NUMBER 917.293000

### TINE SHIELD



KEY NO.	PART NO.	DESCRIPTION
1	98000129	Nut, Flange 5/16-18
2	161415X558	Shield, Side, Outer L. H.
3	8393J	Pin, Stake, Depth
4	12000036	Ring, Klip
5	STD533107	* Bolt, Carriage 5/16-18 x 3/4 Gr 5
6	8394J	Spring
7	8392J	Bracket, Latch
8	109230X	Spring, Depth Stake
9	124289X558	Shield, Tine
10	STD533110	* Bolt, Carriage 5/16-18 x 1 Gr. 5
11	STD541031	* Washer, Lock 5/16
12	STD551131	* Nut, Hex 5/16-18
13	STD533112	Bolt, Carriage 5/16-18 x 1-1/4
14	124311X	Bracket, Shield Tine
15	161414X558	Shield, Side, Outer R.H.
16	STD541425	* Nut, Hex 1/4-20
17	162175	Nut, Wing Forged 5/16-18
18	STD532512	* Bolt, Carriage 1/4-20 x 1-1/4 Gr. 5

KEY NO.	PART NO.	DESCRIPTION
19	102701X	Grip
20	STD541037	* Nut, Hex 3/8-16
21	102156X	Stake, Depth
22	74930632	Bolt, Hex 3/8-16 x 2
23	4440J	Hinge
24	STD532505	* Bolt, Carriage 1/4-20 x 1/2
25	6712J	Cap, Vinyl
26	109227X	Pad, Idler
27	102695X558	Shield, Leveling
28	120588X	Pin, Hinge
29	124309X558	Shield, Side
30	73970500	Locknut, Hex, Flange
31	162175	Wing, Nut

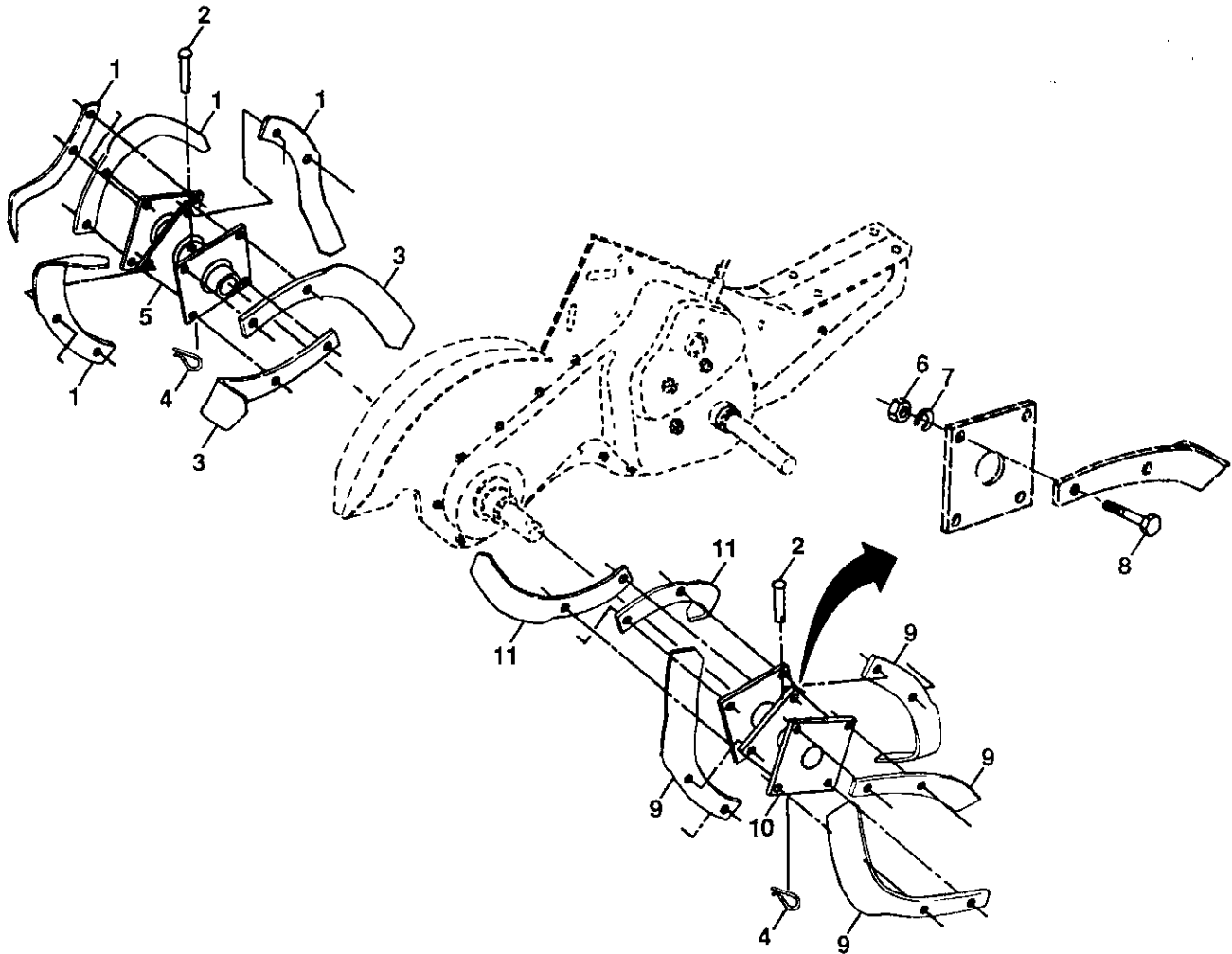
\* STANDARD HARDWARE - - PURCHASE LOCALLY

**NOTE:** All component dimensions given in U.S. inches.  
1 inch = 25.4 mm

# REPAIR PARTS

## TILLER -- MODEL NUMBER 917.293000

### TINE ASSEMBLY



KEY NO.	PART NO.	DESCRIPTION
1	4459J	Tine, Outer, L.H.
2	132673	Pin, Shear
3	6554J	Tine, Inner, L.H.
4	3146R	Retainer, Spring
5	132727	Assembly, Hub and Plate, L.H.
6	73610600	Nut, Hex 3/8-24
7	STD551137	*Washer, Lock 3/8
8	74610616	Bolt, Hex 3/8-24 x 1

KEY NO.	PART NO.	DESCRIPTION
9	4460J	Tine, Outer, R.H.
10	132728	Assembly, Hub and Plate, R.H.
11	6555J	Tine, Inner, R.H.

\* STANDARD HARDWARE--PURCHASE LOCALLY

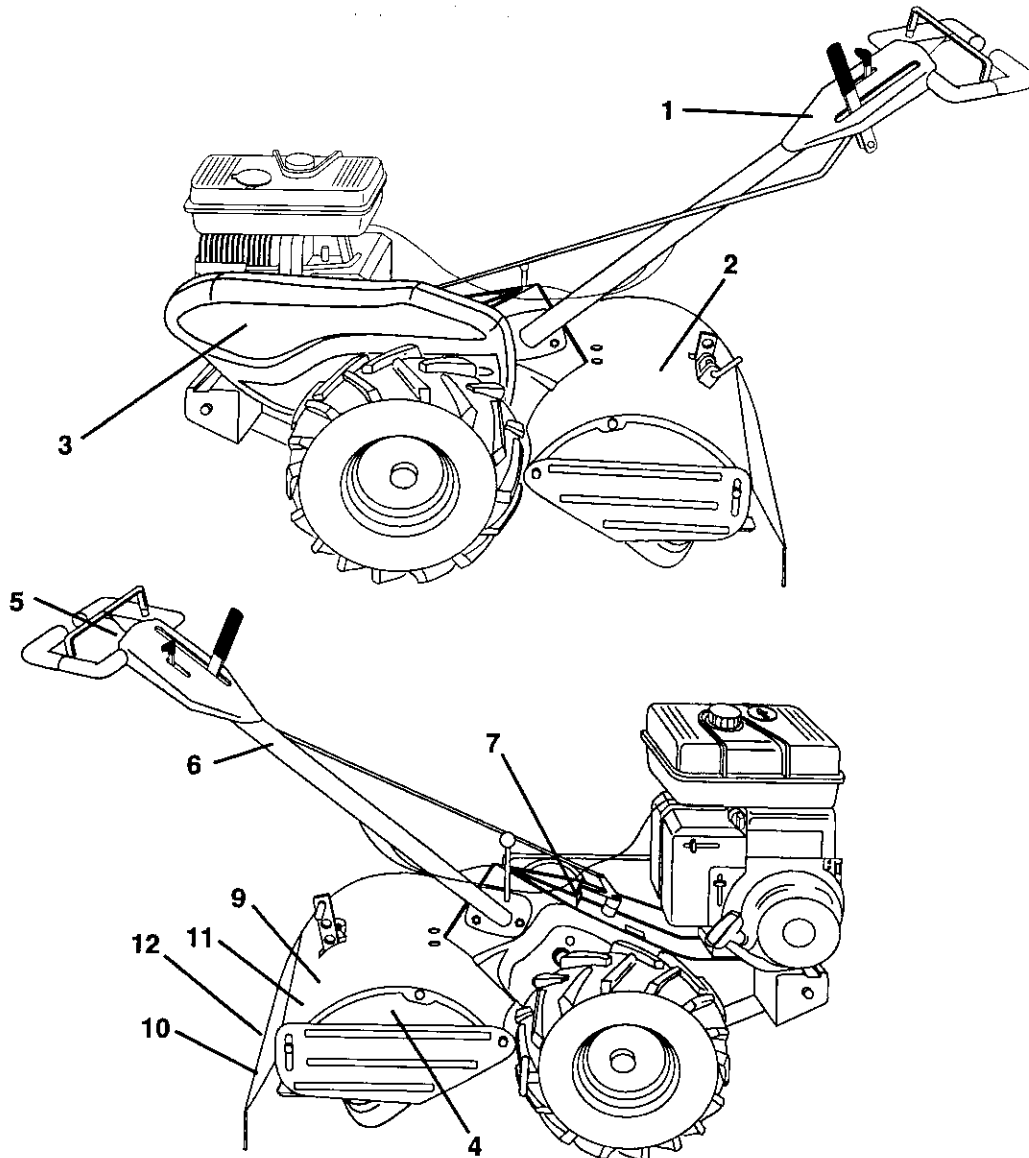
**NOTE:** All component dimensions given in U.S. inches.  
1 inch = 25.4 mm



# REPAIR PARTS

## TILLER - - MODEL NUMBER 917.293000

### DECALS



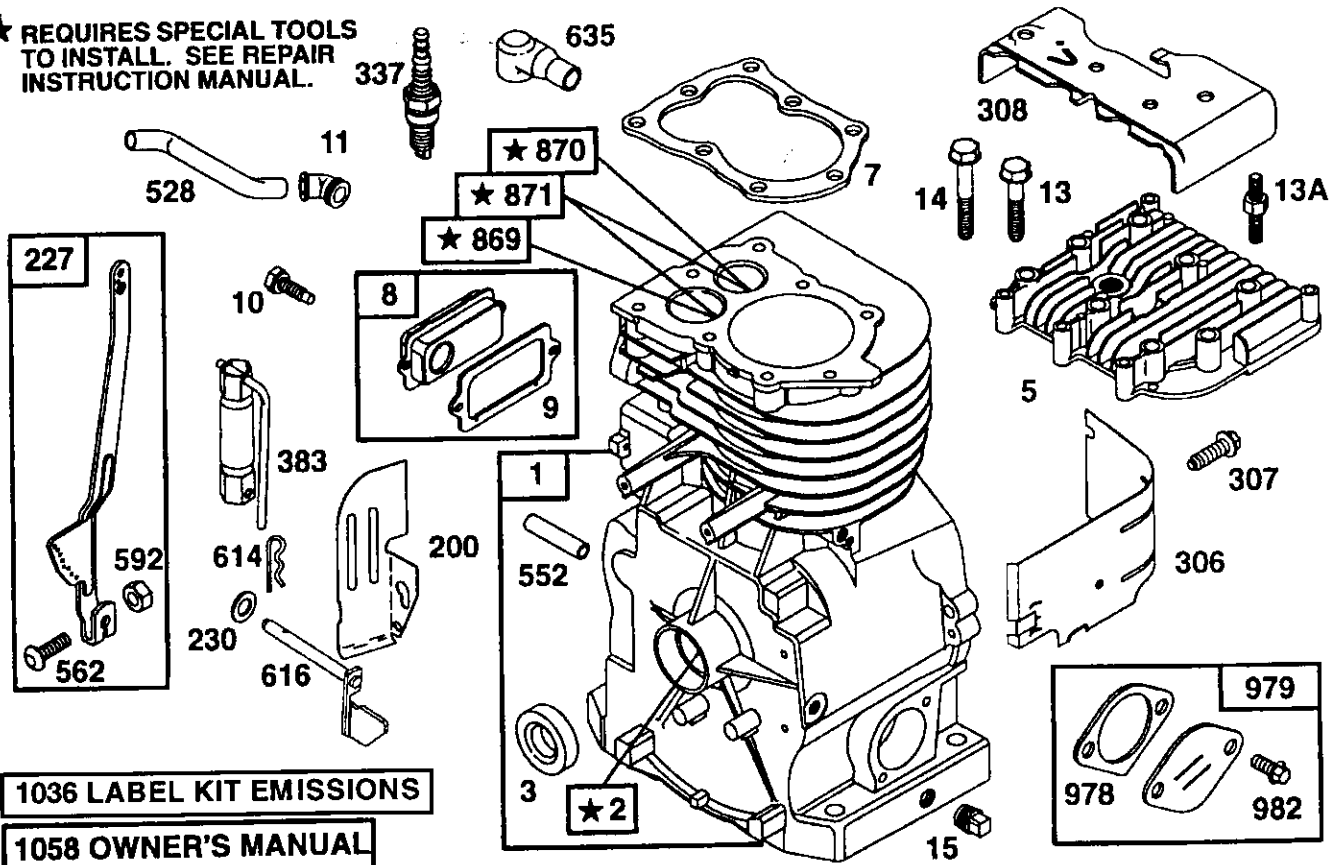
KEY NO.	PART NO.	DESCRIPTION
1	169277	Decal, Logo, Control Panel
2	166133	Decal, Logo, Tine Shield
3	169275	Decal, Logo, Belt Guard
4	157984	Decal, Description
5	137282	Decal, Caution, Drive Control
6	159877	Decal, Hand Placement
7	102180X	Decal, Shift Indicator
9	168260	Decal, Depth Stake
10	156129	Decal, Warning Rotating Tines
11	110612X	Decal, Tine Shield, Caution
12	145437	Decal, Europe Stand CE
--	169278	Manual, Owner's (Euro)
--	169279	Manual, Owner's (Scand)
--	169280	Manual, Repair Parts

# REPAIR PARTS

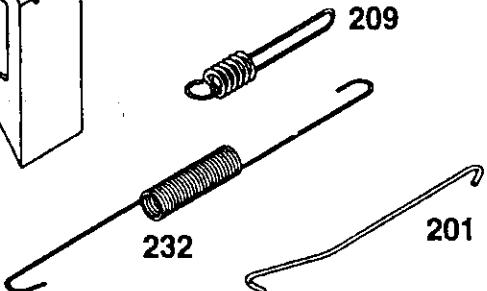
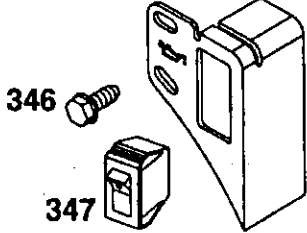
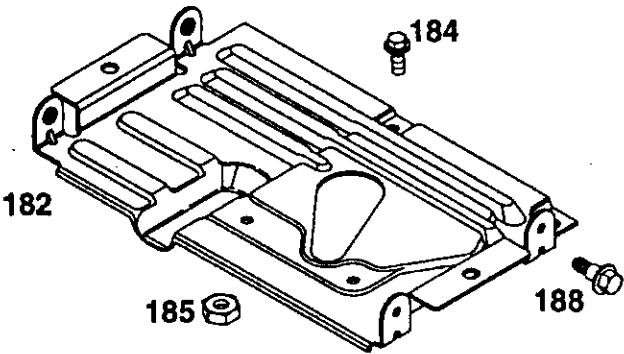
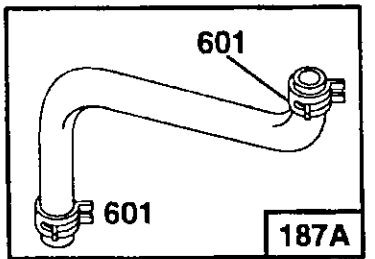
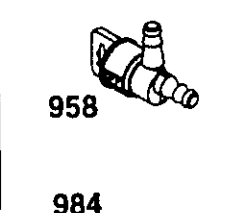
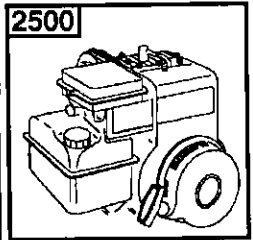
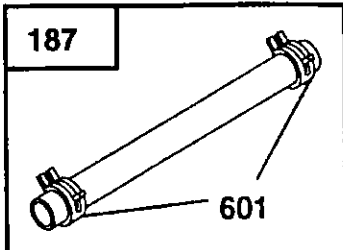
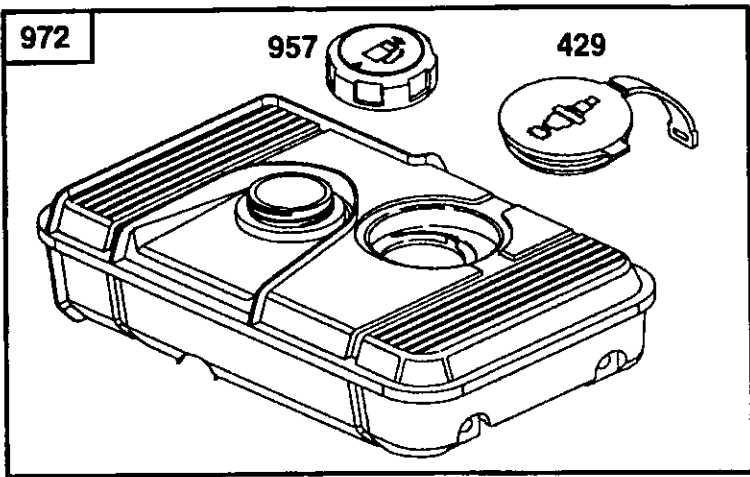
TILLER - - MODEL NUMBER 917.293000

ENGINE, BRIGGS & STRATTON - - MODEL NUMBER 134402, TYPE NO. 1120-E1

★ REQUIRES SPECIAL TOOLS TO INSTALL. SEE REPAIR INSTRUCTION MANUAL.



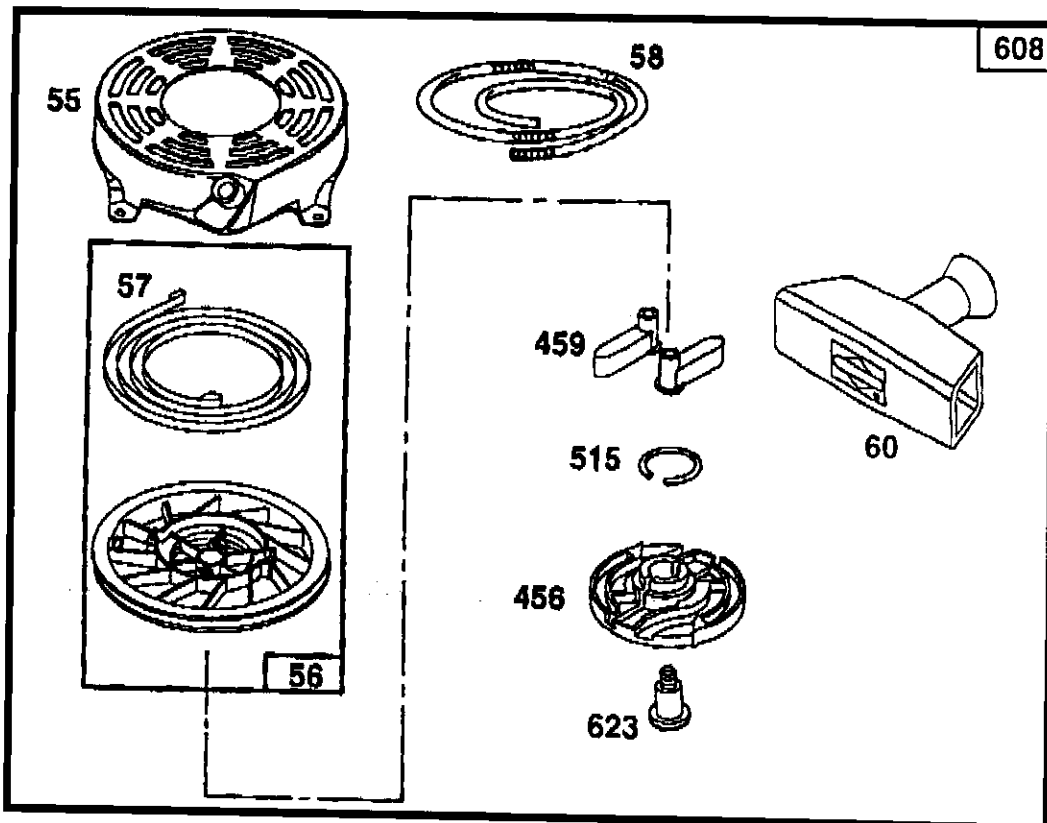
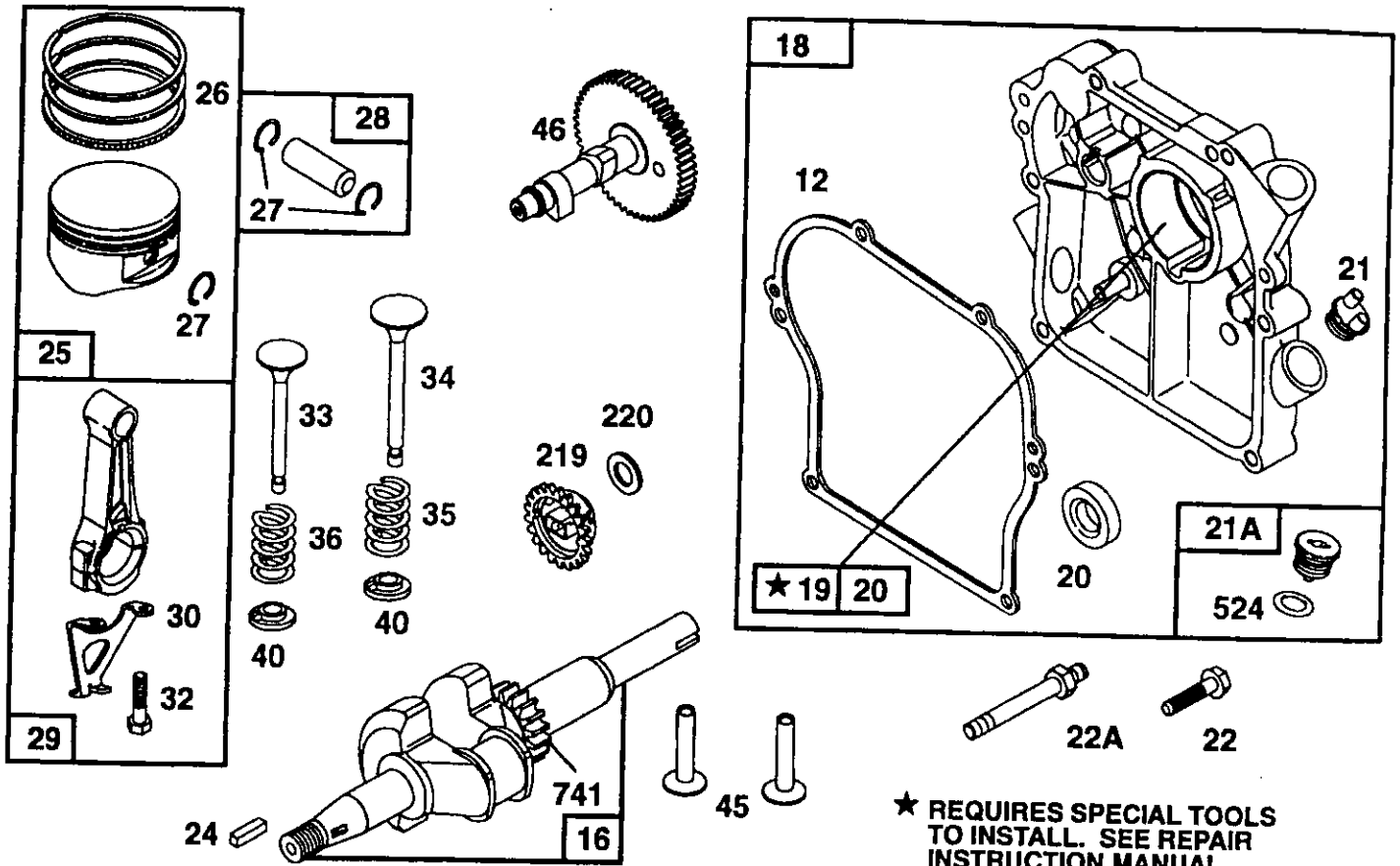
1036 LABEL KIT EMISSIONS  
1058 OWNER'S MANUAL



# REPAIR PARTS

TILLER - - MODEL NUMBER 917.293000

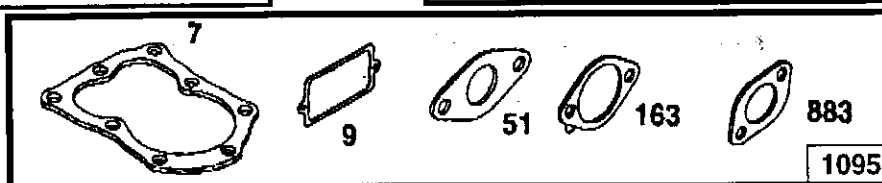
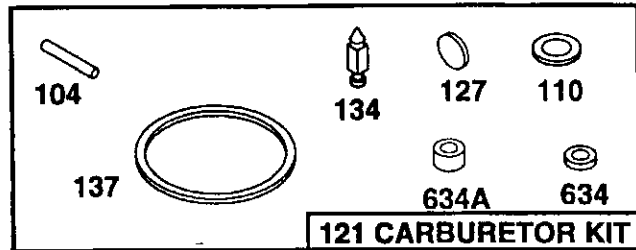
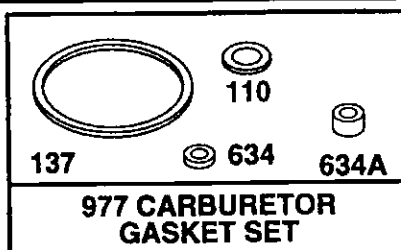
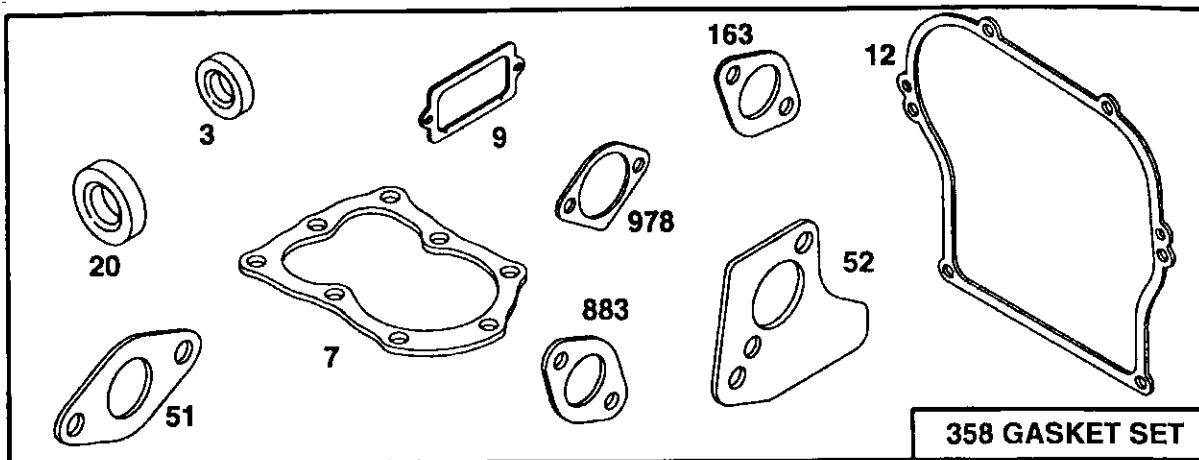
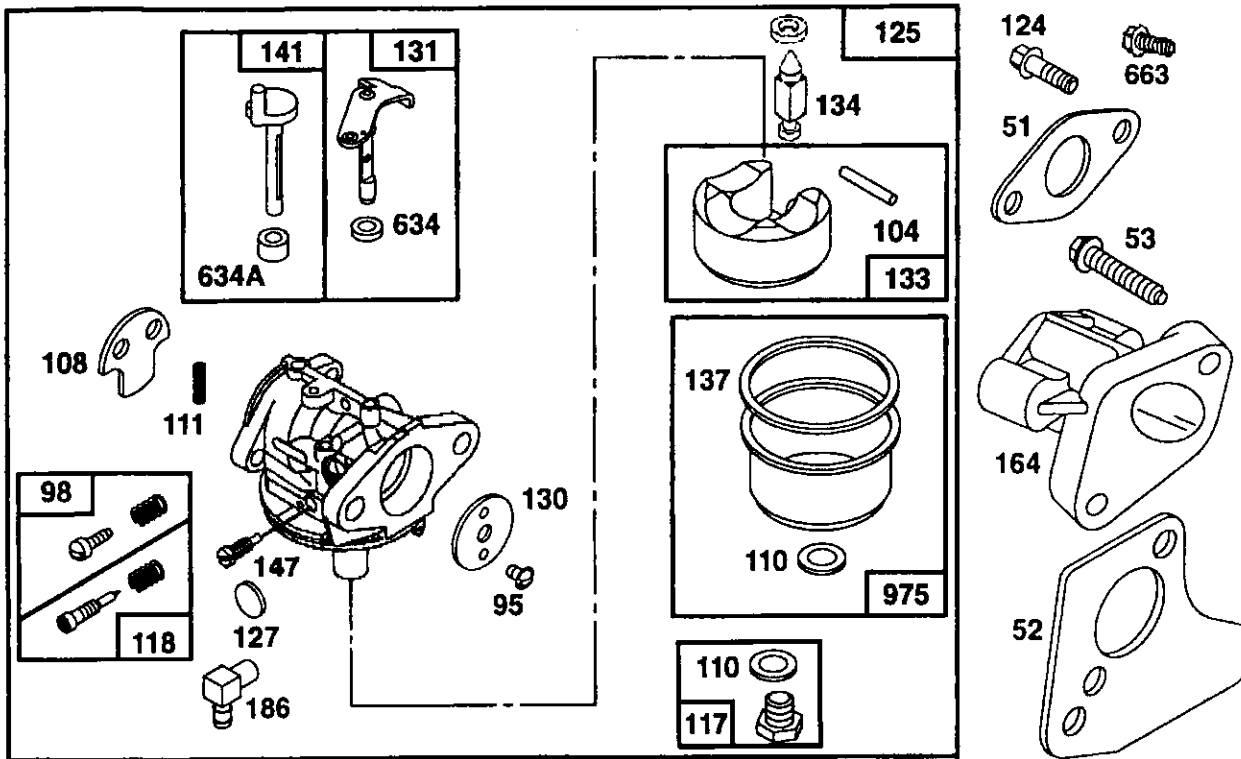
ENGINE, BRIGGS & STRATTON - - MODEL NUMBER 134402, TYPE NO. 1120-E1



# REPAIR PARTS

TILLER - - MODEL NUMBER 917.293000

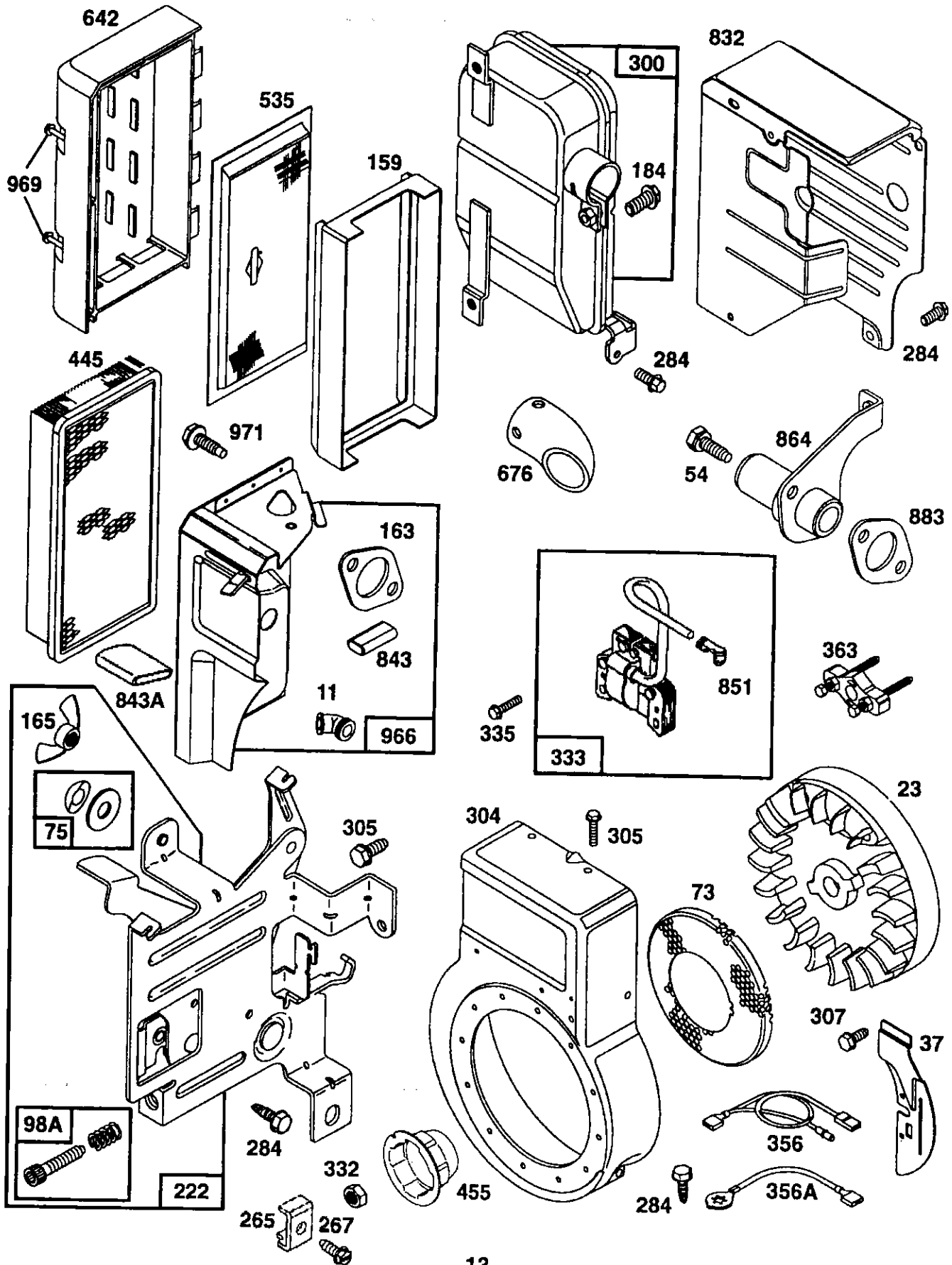
ENGINE, BRIGGS & STRATTON - - MODEL NUMBER 134402, TYPE NO. 1120-E1



# REPAIR PARTS

TILLER -- MODEL NUMBER 917.293000

ENGINE, BRIGGS & STRATTON -- MODEL NUMBER 134402, TYPE NO. 1120-E1



# REPAIR PARTS

TILLER - - MODEL NUMBER 917.293000

ENGINE, BRIGGS & STRATTON - - MODEL NUMBER 134402, TYPE NO. 1120-E1

KEY PART NO.	NO.	DESCRIPTION	KEY PART NO.	NO.	DESCRIPTION
1	495133	Cylinder Assembly	37	222443	Guard, Flywheel
2	399268	Bushing	40	93312	Retainer, Spring
3	299819	* Seal, Oil	45	260642	Tappet, Valve
5	214040	Head, Cylinder	46	214726	Gear, Cam
7	272157	**** Gasket, Cylinder Head	51	272295	**** Gasket, Carburetor
8	495774	Breather Assembly	52	272585	* Gasket, Intake Port
9	27549	**** Gasket, Breather	53	94923	Screw, Adapter Mounting
10	94621	Screw, Breather Mounting	54	94706	Screw, Hex Head
11	66578	Grommet	55	497442	Housing, Rewind Starter
12	270080	* Gasket, Crankcase, .015" Thick (Standard)	56	498144	Pulley, Starter
	270125	* Gasket, Crankcase, .005" Thick	57	263074	Spring, Rewind Starter
	270126	* Gasket, Crankcase, .009" Thick	58	66894	Rope, Starter (Cut to Required Length)
13	94221	Screw, Cylinder Head 2-5/16	60	691915	Handle, Rewind Starter
13A	94915	Stud, Cylinder Head	65	94686	Screw, Starter Mounting
14	94679	Screw, Cylinder Head 2-15/32	73	225176	Screen, Rotating
15	94916	Plug, Oil Drain, 1/4" Standard, Square Head	75	495659	Washer Kit
16	492088	Crankshaft	95	94098	Screw, Round Head
	94388	Crankshaft Gear Key	98	398185	Screw, Idle Adjusting
18	494044	Cover, Crankcase	98A	493280	Screw Assembly, Speed Adjustment
19	495660	Bushing	104	---	** Pin, Hinge (Sold in Kit Only)
20	294606	Seal, Oil	108	224783	Valve, Choke
21	281658	Plug, Oil Fill	110	---	*** Gasket, Sealing (Sold in Kit Only)
21A	399195	Plug, Oil Fill (For High Oil Fill Hole)	111	262715	Spring, Lever
22	94980	Screw, Crankcase Cover Mounting	117	497610	Jet, Main (Std.)
22A	94917	Stud, Hex Head, Crankcase Cover Mounting	118	483564	Jet, Main (Hi-Alt.)
23	399673	Flywheel	121	493762	Carburetor Kit
24	222698	Key, Flywheel	124	94920	Screw, Torx® Hex
25	393819	Piston Assembly, Standard Size	125	498599	Carburetor
	393820	Piston Assembly, .010" Oversize	127	223472	** Plug, Welch
	393821	Piston Assembly, .020" Oversize	130	223470	Valve, Throttle
	393822	Piston Assembly, .030" Oversize	131	493556	Shaft, Throttle
26	399067	Ring Set, Standard Size	133	398187	Float, Carburetor
	399014	Ring Set, .010" Oversize	134	398188	** Valve, Inlet (includes Seat)
	399015	Ring Set, .020" Oversize	137	---	** Gasket, Bowl (Sold in Kit Only)
	399016	Ring Set, .030" Oversize			
27	26026	Lock, Piston Pin			* Included in Gasket Set (495661)
28	298909	Pin, Piston, Standard Size			** Included in Carburetor Kit (- 93762)
	298908	Pin, Piston, .005" Oversize			
29	299430	Rod, Connecting			*** Included in Carburetor Kit (- 93762), and Carburetor Gasket Set (490937)
	390459	Rod, Connecting, .020" Undersize			
30	225183	Dipper, Connecting Rod			**** Included in valve overhaul, Gasket set (498531) and Gasket set (495661)
32	94699	Screw, Connecting Rod			
33	211119	Valve, Exhaust			
34	261044	Valve, Intake			
35	260552	Spring, Intake Valve			
36	26478	Spring, Exhaust Valve			

**NOTE:** All component dimensions given in U.S. inches  
1 inch = 25.4 mm

# REPAIR PARTS

TILLER - - MODEL NUMBER 917.293000

ENGINE, BRIGGS & STRATTON - - MODEL NUMBER 134402, TYPE NO. 1120-E1

KEY PART NO. NO.	DESCRIPTION	KEY PART NO. NO.	DESCRIPTION
141 498593	Shaft, Choke	592 231978	Nut, Hex
147 231907	Jet, Pilot	601 93053	Clamp, Hose, Green
159 280871	Support, Air Cleaner	93807	Clamp, Hose, Black
163 272948	**** Gasket, Air Cleaner	608 692696	Starter, Rewind
164 281247	Manifold, Intake	614 93306	Pin, Cotter
165 94692	Nut, Wing	616 495243	Crank, Governor
182 224669	Bracket, Fuel Tank	623 94943	Screw, Shoulder
184 94905	Screw, Torx®	634 - - -	*** Seal, Shaft (Sold in Kit Only)
185 94010	Nut, Hex	634A - - -	*** Seal, Choke Shaft (Sold in Kit Only)
186 493496	Connector, Fuel Line	635 66538	Elbow, Spark Plug
187 298049	Line, fuel (11" Long, Cut to suit)	642 281188	Cover, Air Cleaner
187A 495218	Line, Fuel, Molded	663 93343	Screw, Hex
188 94895	Screw, Hex Head	676 495074	Deflector Assembly
200 223886	Guide, Air	741 262992	Gear, Timing
201 262865	Link	Uses:	94388 Key, Woodruff
209 262283	Spring, Governor	832 494903	Guard, Muffler
219 494845	Gear, Governor	843 280149	Sleeve, Lever
220 221551	Washer, Thrust	843A 280643	Sleeve, Lever
222 494899	Bracket, Control	851 493880	Terminal, Cable
227 496082	Lever Assembly, Governor	864 494904	Flange, Muffler
230 94927	Washer, Governor Lever	869 211787	Seat, Intake Valve
232 260585	Spring, Link	870 263094	Seat, Exhaust Valve, Cobalite®
265 221535	Clamp, Casing	871 262001	Guide, Exhaust Valve
267 94906	Screw, Hex	63709	Guide, Intake Valve
284 94929	Screw, Hex Head	883 272309	* Gasket, Exhaust
300 494562	Muffler, Exhaust	957 493988	Cap, Fuel Tank
304 497018	Housing, Blower	958 494769	Valve, Shut-Off
305 94786	Screw, Hex	966 494902	Base, Air Cleaner
306 224820	Shield, Cylinder	969 94872	Screw, Hex Head
307 94680	Screw, Hex Head, Cylinder Shield	971 94925	Screw, Hex Head
308 224740	Cover, Cylinder Head	972 495345	Tank, Fuel
332 94877	Nut, Flywheel	975 493640	Bowl, Float
333 397358	Armature, Magneto	977 490937	Gasket Set, Carburetor
335 93414	Screw, Armature	978 271736	* Gasket Cover
337 802592	Plug, Spark (1-7/8" High, 48mm, Resistor Type)	979 494807	Cover, Oil Gard®
346 94896	Screw, Hex Head, Sems	982 94658	Screw, Oil Gard® Cover
347 493521	Switch, Stop	984 224746	Bracket, Indicator Light
356 495135	Wire, Stop (Armature to Switch)	1036 499348	Label Kit Emissions
356A 495118	Wire, Stop (Stop Switch to Ground)	1058 272528	Owner's Manual
358 495661	Gasket Set	1095 498531	Gasket Set, Valve Overhaul
363 19069	Puller, Flywheel	2500 134402-0513	Replacement Engine
383 89838	Wrench, Spark Plug	— — 495952	Replacement Shortblock
429 281190	Cover, Spark Plug		
445 494511	Filter, Air		
455 225121	Cup, Flywheel		
456 281503	Retainer, Spring		
459 287505	Pawl, Ratchet		
515 263073	Spring, Torsion		
524 271485	* Seal, Oil Fill		
528 231818	Tube, Breather		
535 492889	Filter, Air		
552 231079	Bushing, Governor Crank		
562 94907	Bolt, Governor Lever		

**NOTE:** All component dimensions given in U.S. inches  
1 inch = 25.4 mm

**CRAFTSMAN®**