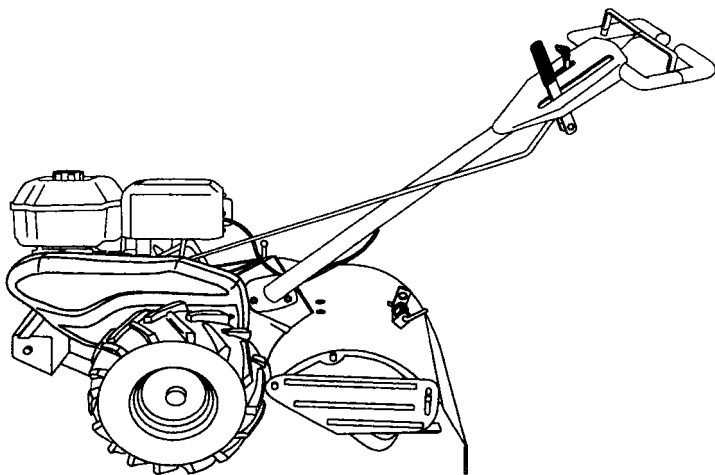


CRAFTSMAN®

6.5 HP 17 INCH TINE WIDTH REAR TINE WITH COUNTER ROTATING TINES TILLER

Model No.
917.293480

- Safety
- Assembly
- Operation
- Maintenance
- Español
- Repair Parts



This product has a low emission engine which operates differently from previously built engines. Before you start the engine, read and understand this Owner's Manual.

CAUTION:

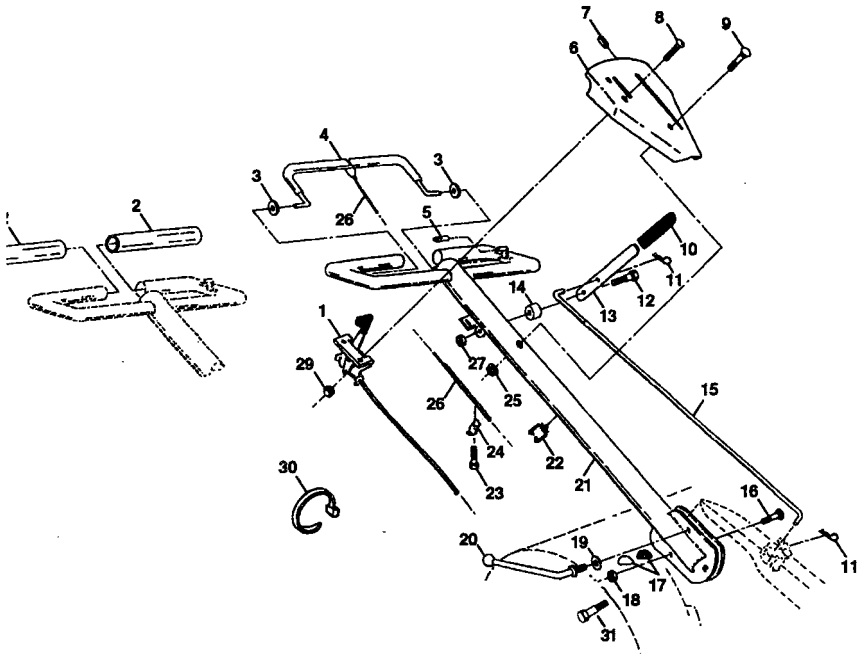
Read and follow all Safety Rules and Instructions before operating this equipment.

Sears, Roebuck and Co., Hoffman Estates, IL 60179
Visit our Craftsman website: www.sears.com/craftsman

REPAIR PARTS

TILLER -- MODEL NUMBER 917.293480

HANDLES



KEY PART

NO.	NO.	DESCRIPTION
1	175250	Throttle, Control
2	141406	Grip, Handle
3	110673X	Grommet, Handle
4	127254X	Bar, Drive Control Assembly
5	6712J	Cap, Vinyl
6	137119	Panel, Control
7	110641X	Bushing, Split
8	71191008	Screw, Pan Head #10-24
9	72010520	Bolt, 5/16-18 x 2-1/2
10	110646X	Handle, Grip
11	STD624003	Clip, Hairpin
12	81328	Bolt, Shoulder
13	110741X	Handle, Shift
14	109313X	Grommet, Rubber
15	110702X	Rod, Shift
16	STD533710	Bolt, Carriage 3/8-16 x 1 Gr. 5
17	109229X	Lock, Handle

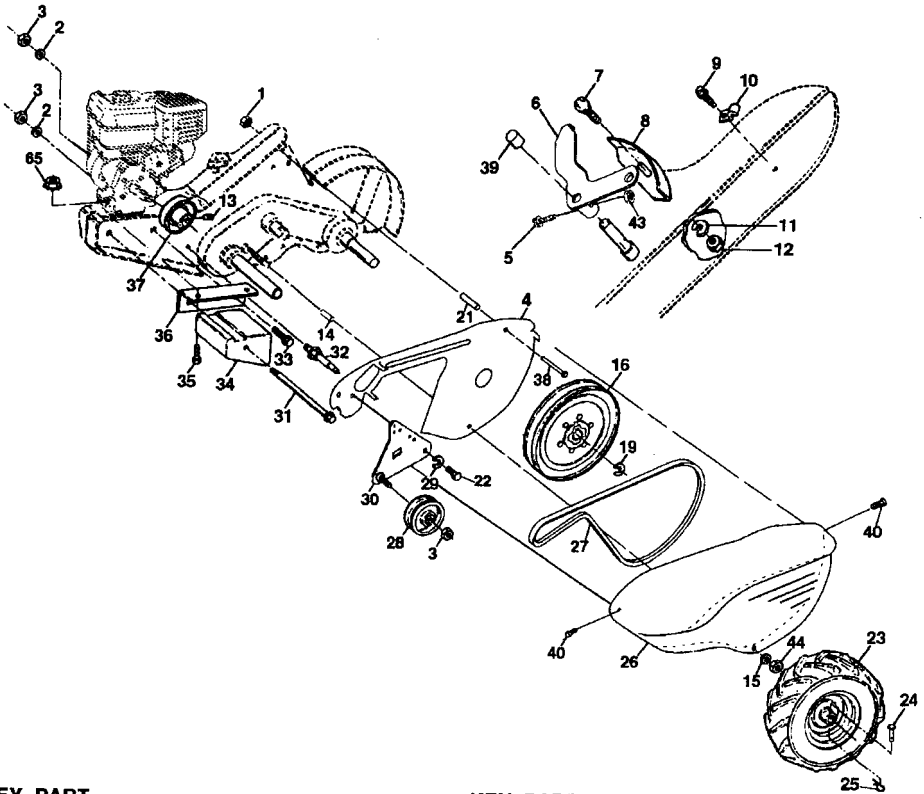
KEY PART

NO.	NO.	DESCRIPTION
18	STD541437	Nut, Crownlock 3/8-16
19	19131611	Washer 13/32 x 1 x 11 Ga.
20	109228X	Lever, Lock, Handle
21	150258	Handle, Assemble
22	165197	Clip, Plastic, Cable
23	86777	Screw, Hex, Washer Hd, Slotted #10-24 x 1/2
24	9484R	Clip
25	73970500	Locknut, Hex, Flange
26	110675X	Clutch, Cable
27	73900400	Nut, Lock 1/4-20
29	STD541462	Nut, Keps #10-24
31	150696	Bolt, Pivot

NOTE: All component dimensions given in U.S. inches. 1 inch = 25.4 mm

TILLER -- MODEL NUMBER 917.293480

MAINFRAME, LEFT SIDE



KEY PART NO. NO.

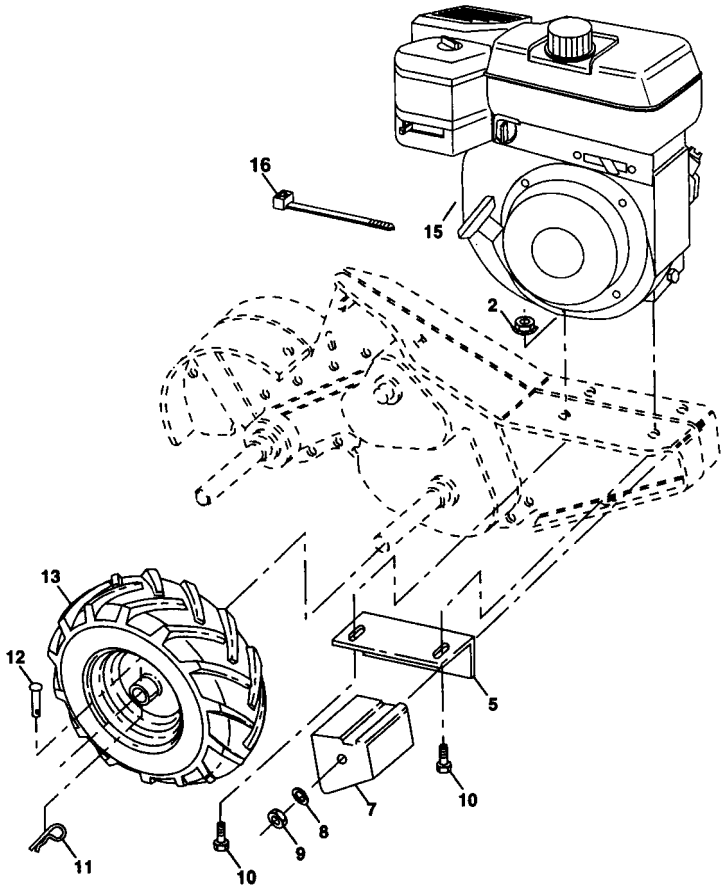
KEY PART NO.	NO.	DESCRIPTION
1	73970500	Nut, Hex 5/16-18
2	STD551137	Washer, Lock 3/8
3	STD541037	Nut, Hex 3/8-16
4	170127	Shield, Inner Belt Guard
5	154734	Screw Shift Lever
6	110111X	Lever, Shift
7	STD532505	Bolt, Carriage 1/4-20 x 1/2 Gr. 5
8	8700J	Plate, Shift Indicator
9	86777	Screw, Hex, Washer Head, Slotted #10-24 x 1/2
10	9484R	Clip
11	STD551125	Washer, Lock 1/4
12	STD541025	Nut, Hex 1/4-20
13	23230506	Screw, Set, 5/16-18 x 3/8
14	110652X	Spacer, Split .327 x .42 x 2.09
15	STD551031	Washer 11/32 x 11/16 x 16 Ga.
16	145102	Sheave, Transmission
19	12000028	Ring, Retainer
21	156117	Spacer, Split .327 x .42 x 1.220
22	74770508	Bolt, Fin Hex 5/16-24 x 1/2
23	102190X	Tire
	150750	Rim
	795R	Tire Valve
24	126875X	Rivet, Drilled

KEY PART NO. NO.

KEY PART NO.	NO.	DESCRIPTION
25	STD624003	Clip, Hairpin
26	165501X558	Guard, Belt
27	132801	Belt, V
28	104679X	Pulley, Idler
29	12000032	Ring, Klip
30	159229	Bracket, Idler
31	102384X	Bolt, Hex 5/16-16 x 12
32	102141X	Shaft, Idler Arm
33	STD523710	Bolt, Hex 3/8-16 x 1
34	102383X	Counterweight, L.H.
35	74760524	Bolt, Hex 5/16-18 x 1-1/2
36	102331X	Bracket, Reinforcement, L.H.
37	130812	Sheave, Engine
38	74760544	Bolt, Fin Hex 5/16-18 x 2-3/4
39	140062	Cap, Plunger
40	170488	Screw Hex Wsh. Hd #10-32 x 9/16
43	69180	Nut Lock #10-24
44	STD541431	Nut, Lock 5/16-18

NOTE: All component dimensions given in U.S. inches. 1 inch = 25.4 mm

TILLER -- MODEL NUMBER 917.293480
MAINFRAME, RIGHT SIDE



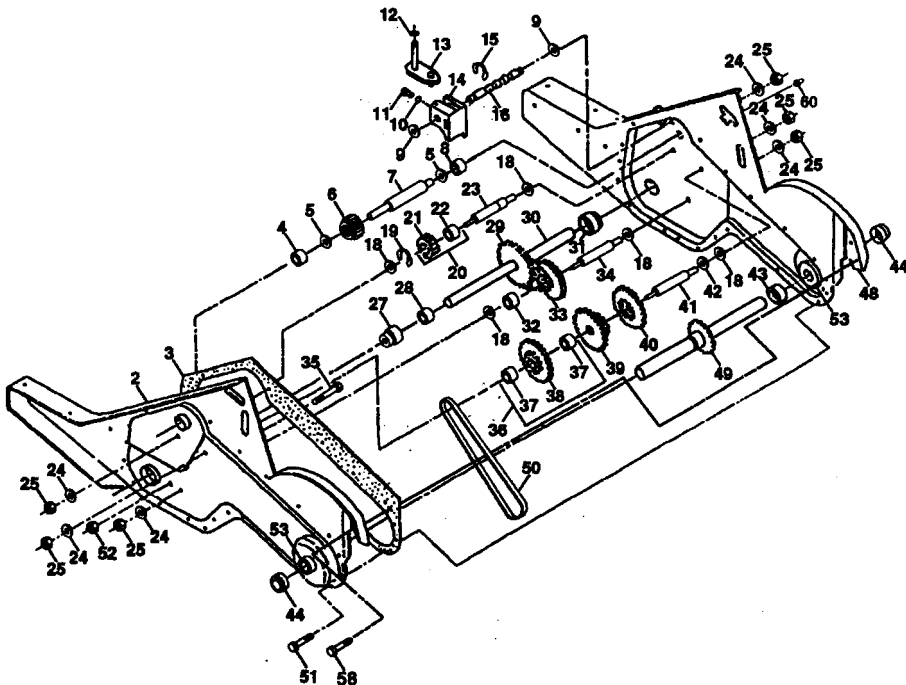
KEY PART NO.	NO.	DESCRIPTION
2	73970500	Locknut, Hex, Flange 5/16-18
5	102332X	Bracket, Reinforcement
7	102173X	Counter Weight, R.H.
8	STD551137	Washer, Lock 3/8
9	STD541037	Nut, Hex 3/8-16
10	74760524	Bolt, Hex 5/16-18 x 1-1/2
11	STD624003	Clip, Hairpin
12	126875X	Rivet, Drilled

KEY PART NO.	NO.	DESCRIPTION
13	102190X 150750	Tire Flm
	795R	Tire Valve
15	-----	Engine, (See Breakdown) Craftsman Model No. 120402
16	7192J	Tie Cable

NOTE: All component dimensions given in U.S.inches.
 1 inch = 25.4 mm

TILLER -- MODEL NUMBER 917.293480

TRANSMISSION



KEY PART NO. NO.

KEY PART NO.	NO.	DESCRIPTION
1	170337	Transmission Assembly (Includes Key Nos. 2-52)
2	165729	Gearcase, L.H. w/Bearing (Includes Key No. 4)
3	161963	Gasket, Gearcase
4	5020J	Bearing, Needle
5	1370H	Washer, Thrust 5/8 x 1.10 x 1/32
6	137335	Pinion, Input
7	145101	Shaft, Input
8	4895H	Bearing, Needle
9	154467	Washer, Seal
10	7392M	Ball, Steel
11	100371K	Spring, Shift, Fork
12	106160X	O-Ring
13	142145	Arm, Shift
14	8353J	Fork, Shift
15	12000039	Ring, Klip
16	154466	Shaft, Shift
18	4358J	Washer
19	12000040	Ring, Klip
20	102114X	Gear, Assembly, Reverse Idler (Includes Key Nos. 21 and 22)
21	102115X	Gear, Reverse Idler
22	6803J	Bearing, Needle
23	102111X	Shaft, Reverse Idler
24	STD551143	Washer, Lock 7/16
25	STD541143	Nut, Hex 7/16-20
27	143009	Bearing, Shaft, Ground Drive L.H.
28	106390X	Spacer 0.765 x 1.125 x 1.23
29	102134X	Chain #35-50 Pitch
30	150737	Ground Shaft Assembly
31	143008	Bearing, Shaft, Ground Drive R.H.

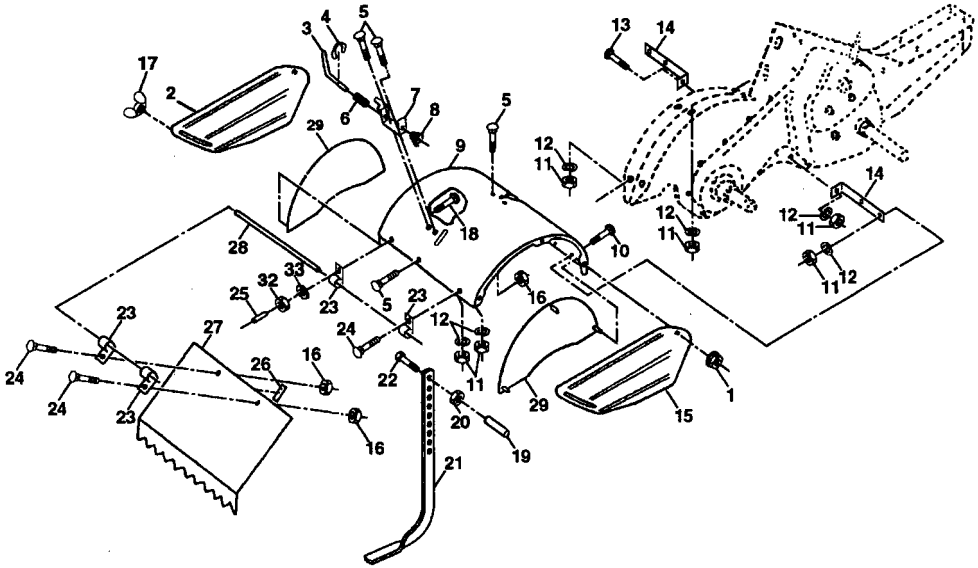
KEY PART NO. NO.

KEY PART NO.	NO.	DESCRIPTION
32	106388X	Spacer 0.70 x 1.00 x 1.150
33	102121X	Sprocket and Gear Assembly
34	102112X	Shaft, Reduction (2nd)
35	102101X	Screw, Whiz, Lock 5/16-18 x 3-1/2
36	154355	Sprocket Assembly w/Bearing (Includes Key Nos. 37 and 38)
37	4422J	Bearing, Needle
38	154356	Sprocket, Tine
39	105345X	Gear, Cluster, Red 1st & 2nd
40	105346X	Gear, Reverse
41	8358J	Shaft, Reduction (1st)
42	4220R	Washer, Thrust
43	106146X	Spacer 1.01 x 1.75 x 0.760
44	155236	Seal Asm. Oil
48	170338	Gearcase, R.H. w/Bearing (Includes Key No. 8)
49	132688	Shaft, Tine
50	106147X	Chain, Roller #50-50 Pitch
51	17720408	Screw 1/4-20 x 1/2
52	STD541031	Nut, Hex 5/16-18
53	165140	Bearing Kit, Tine Shaft
58	17720412	Screw 1/4-20 x 3/4
60	6855M	Fitting Grease
--	6066J	Grease, Plastilube #1

NOTE: All component dimensions given in U.S.inches.
1 Inch = 25.4 mm

TILLER -- MODEL NUMBER 917.293480

TINE SHIELD



KEY PART NO. NO.

NO.	NO.	DESCRIPTION
1	73900500	Nut, Lock Hex Flange 5/16-18 UNC
2	161415X558	Shield, Side, Outer L. H.
3	8393J	Pin, Stake, Depth
4	12000036	Ring, Klip
5	STD533107	Bolt, Carriage 5/16-18 x 3/4 Gr 5
6	8394J	Spring
7	8392J	Bracket, Latch
8	109230X	Spring, Depth Stake
9	102326X558	Shield, Tine
10	STD533110	Bolt, Carriage 5/16-18 x 1 Gr. 5
11	STD541031	Nut, Hex 5/16-18
12	STD551131	Washer, Lock 5/16
13	STD533112	Bolt, Carriage 5/16-18 x 1-1/4
14	124343	Bracket, Shield Tine
15	161414X558	Shield, Side, Outer R.H.
16	73900400	Nut, Flange lock 1/4-20
17	162175	Nut, Wing Forged 5/16-18
18	STD532512	Bolt, Carriage 1/4-20 x 1-1/4 Gr. 5

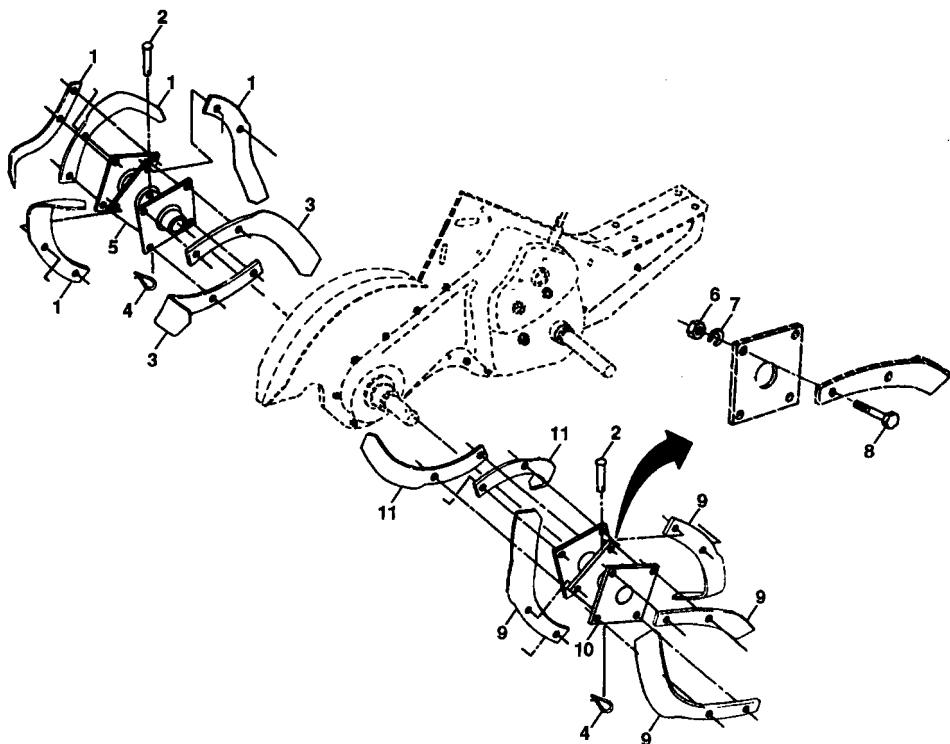
KEY PART NO. NO.

NO.	NO.	DESCRIPTION
19	102701X	Grip
20	STD541037	Nut, Hex 3/8-16
21	102156X	Stake, Depth
22	74930632	Bolt, Hex 3/8-16 x 2
23	4440J	Hinge
24	STD532505	Bolt, Carriage 1/4-20 x 1/2
25	6712J	Cap, Vinyl
26	109227X	Pad, Idler
27	102695X558	Shield, Leveling
28	120588X	Pin, Hinge
29	104085X558	Shield, Side
32	73220400	Nut, Fin, Hex 1/4-20 UNC
33	STD551125	Washer Lock Hvy Helical 1/4

NOTE: All component dimensions given in U.S. inches
1 inch = 25.4 mm

TILLER -- MODEL NUMBER 917.293480

TINE ASSEMBLY



KEY PART

NO.	NO.	DESCRIPTION
1	4459J	Tine, Outer, L.H.
2	132673	Pin, Shear
3	6554J	Tine, Inner, L.H.
4	3146R	Clip, Hairpin
5	132727	Assembly, Hub and Plate, L.H.
6	73610600	Nut, Hex 3/8-24
7	STD551137	Washer, Lock 3/8

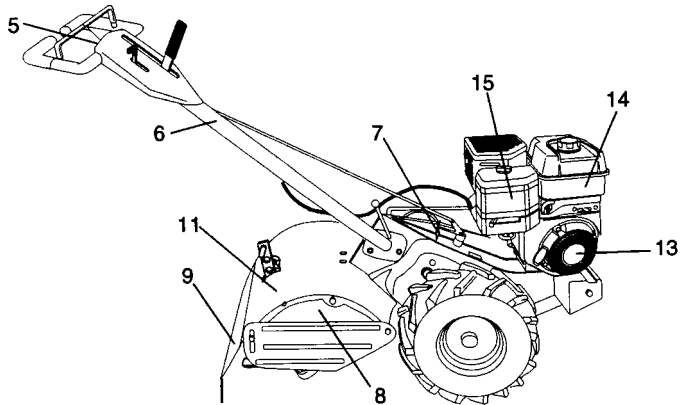
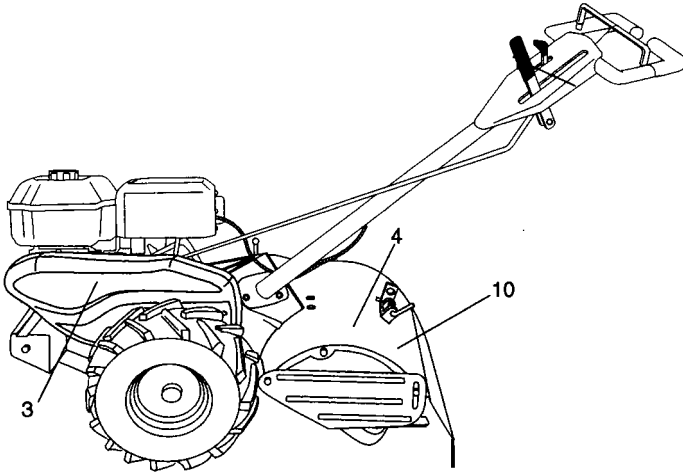
KEY PART

NO.	NO.	DESCRIPTION
8	74610616	Bolt, Hex 3/8-24 x 1
9	4460J	Tine, Outer, R.H.
10	132728	Assembly, Hub and Plate, R.H.
11	6555J	Tine, Inner, R.H.

NOTE: All component dimensions given in U.S. inches.
1 inch = 25.4 mm

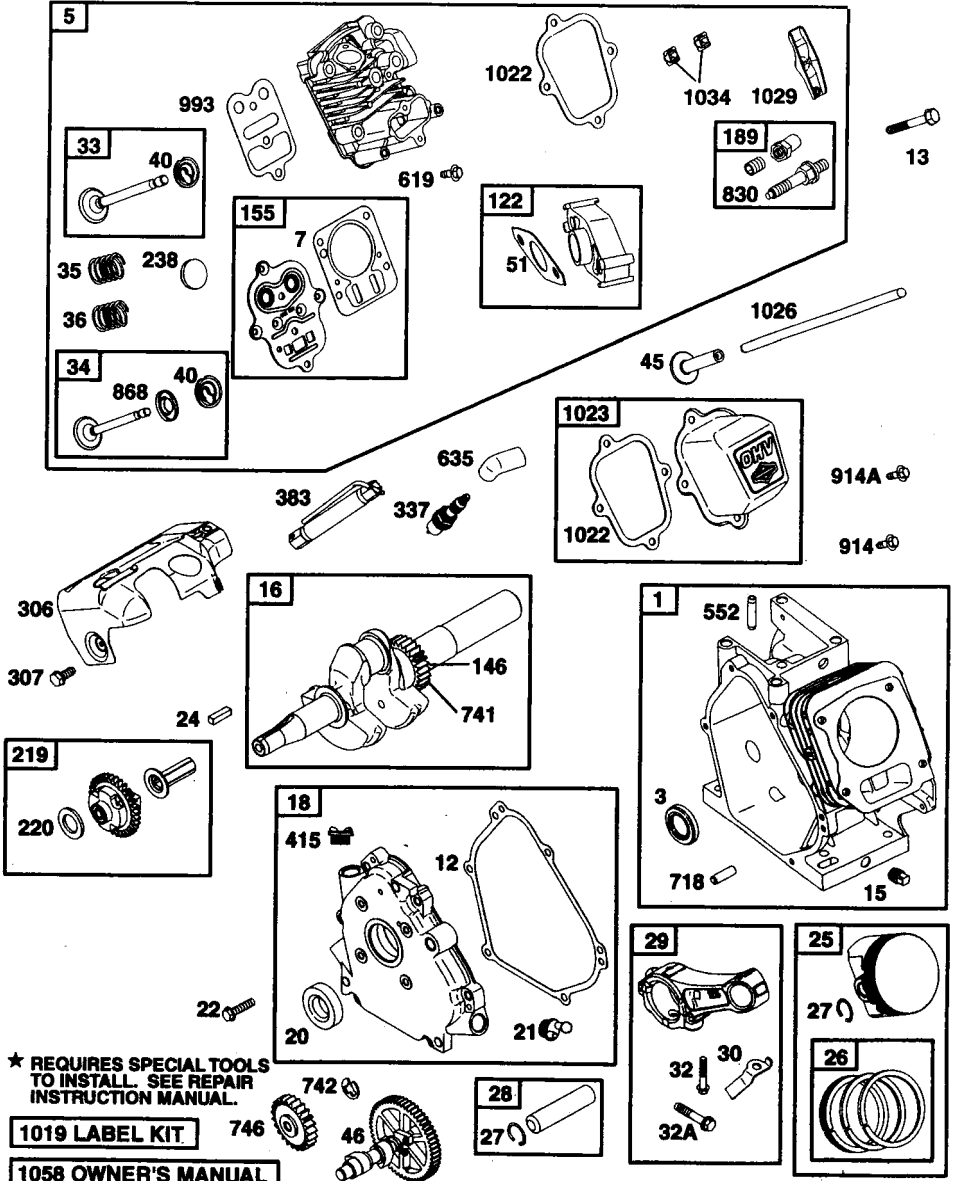
TILLER -- MODEL NUMBER 917.293480

DECALS



KEY PART NO.	NO.	DESCRIPTION
1	176740	Decal, Service CNTRL PNL
3	176735	Decal, Blt Guard
4	166133	Decal, Description
5	137538	Decal, Caution, Drive Control
6	120431X	Decal, Hand Placement
7	102180X	Decal, Shift Indicator
8	157984	Decal, Tine, Shield, Counter Rotating Tines
9	120075X	Decal, Warning, Rotating Tines
10	163094	Decal, Tine Depth Stake
11	162215	Decal, Tine, Shield, Warning Dom
13	171078	Decal, Rewind
14	167156	Decal, Craftsman IC
15	166138	Decal, Intek
--	176744	Manual, Owner's (Eng/Span)

TILLER -- MODEL NUMBER 917.293480
ENGINE, BRIGGS & STRATTON -- MODEL NUMBER 120402-0109-E1

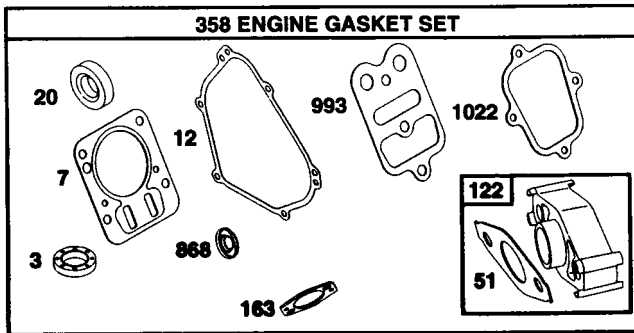
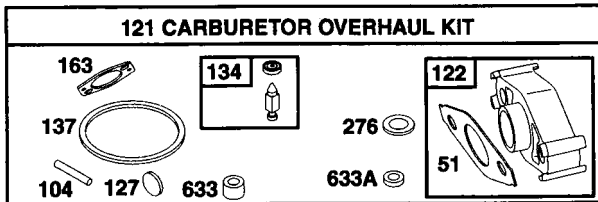
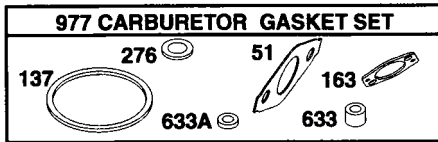
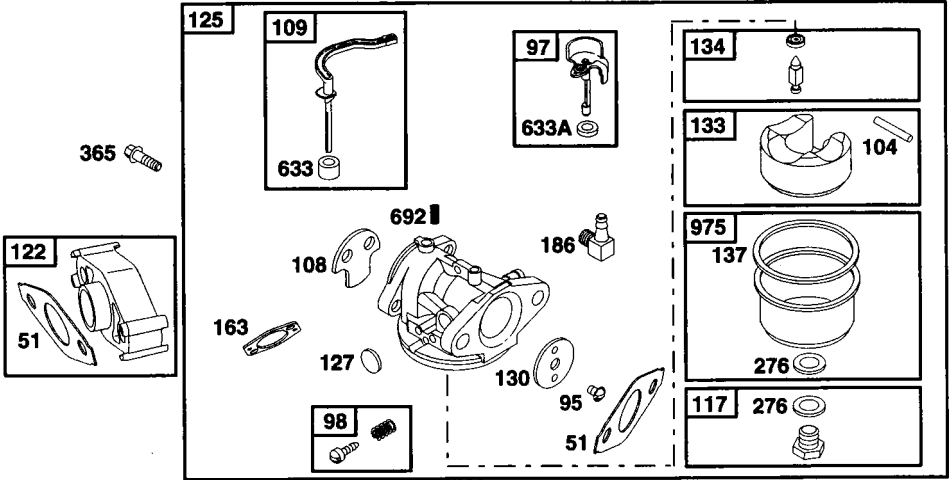


★ REQUIRES SPECIAL TOOLS TO INSTALL. SEE REPAIR INSTRUCTION MANUAL.

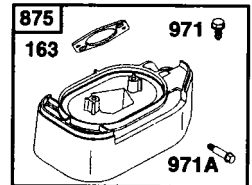
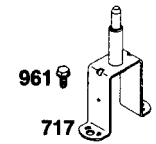
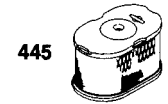
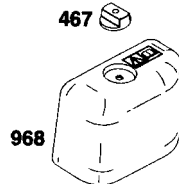
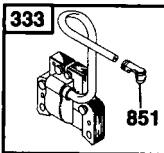
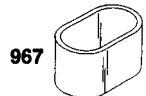
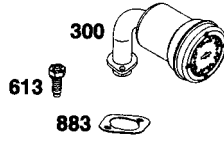
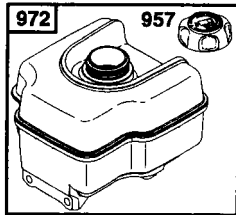
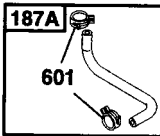
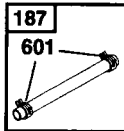
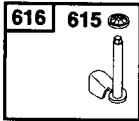
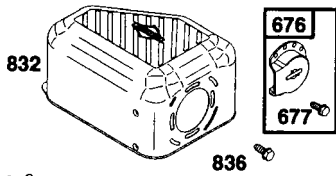
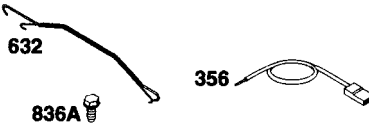
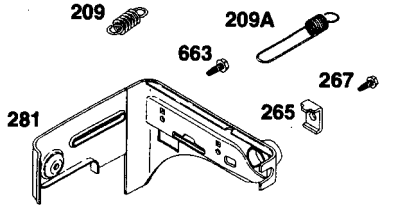
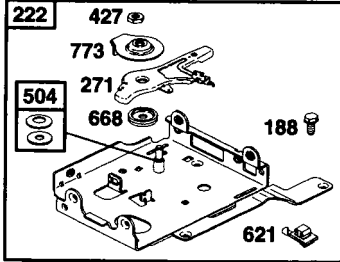
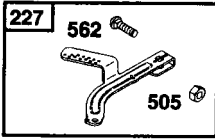
1019 LABEL KIT

1058 OWNER'S MANUAL

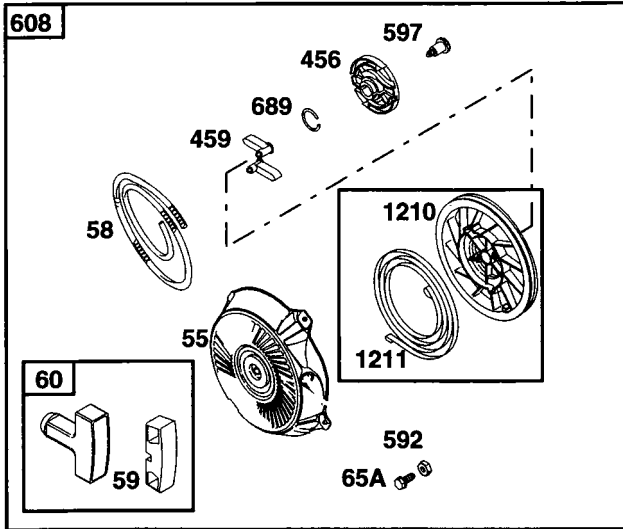
TILLER -- MODEL NUMBER 917.293480
ENGINE, BRIGGS & STRATTON -- MODEL NUMBER 120402-0109-E1



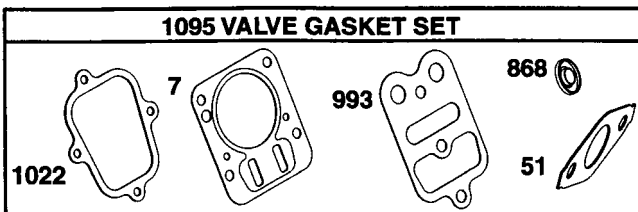
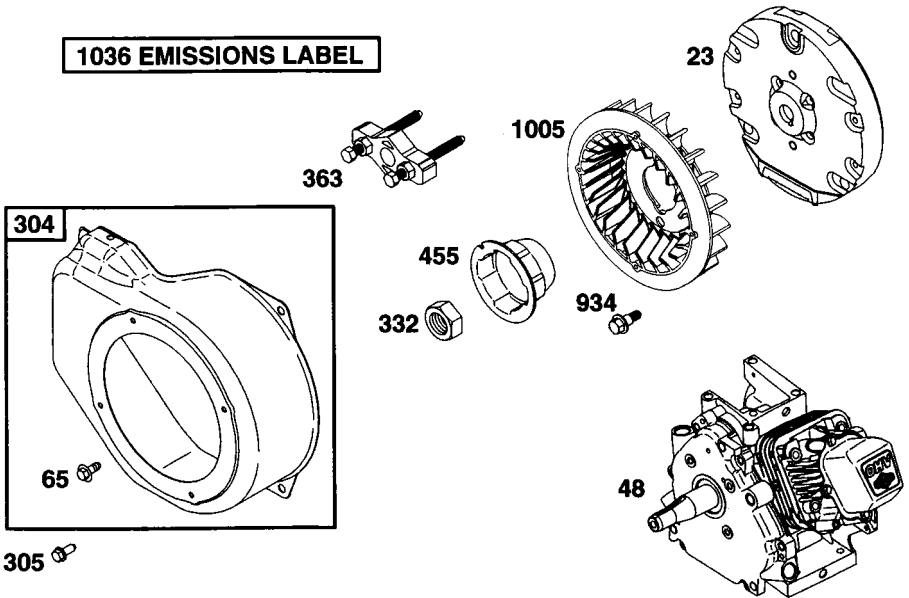
TILLER -- MODEL NUMBER 917.293480
ENGINE, BRIGGS & STRATTON -- MODEL NUMBER 120402-0109-E1



**TILLER -- MODEL NUMBER 917.293480
ENGINE, BRIGGS & STRATTON -- MODEL NUMBER 120402-0109-E1**



1036 EMISSIONS LABEL



TILLER -- MODEL NUMBER 917.293480
ENGINE, BRIGGS & STRATTON -- MODEL NUMBER 120402-0109-E1

KEY NO.	PART NO.	DESCRIPTION	KEY NO.	PART NO.	DESCRIPTION
1	693811	Cylinder Assembly	95	691636	Screw (Throttle Valve)
3	299819	• Seal-Oil (Magneto Side)	97	690024	Shaft-Throttle
5	693643	Head-Cylinder	98	398185	Kit-Idle Speed
7	695166	•+ Gasket-Cylinder Head	104	691242	∅ Pin-Float Hinge
11	693647	Tube-Breather	108	691182	Valve-Choke
12	692549	• Gasket-Crankcase	109	693628	Shaft-Choke
13	691137	Screw (Cylinder Head)	117	690048	Jet-Main (Standard)
15	691686	Plug-Oil Drain		498977	Jet-Main (High Altitude)
16	693887	Crankshaft	121	695157	Kit-Carburetor Overhaul
18	694466	Cover-Crankcase	122	693749	• ∅ Spacer-Carburetor
20	692550	• Seal-Oil (PTO Side)	125	693518	Carburetor
21	281658	Cap-Oil Fill	127	691739	∅ Plug-Walch
22	691662	Screw (Engine Sump)	130	691181	Valve-Throttle
23	692987	Flywheel	133	398187	Float-Carburetor
24	222698	Key-Flywheel	134	398188	∅ Kit-Needle/Seat
25	690021	Piston Assembly (Standard)	137	693981	∅‡ Gasket-Float Bowl
	694167	Piston Assembly (.010" O.S.)	146	690979	Key-Timing
	694168	Piston Assembly (.020" O.S.)	155	695882	Plate-Cylinder Head
	694169	Piston Assembly (.030" O.S.)	163	693458	Gasket-Air Cleaner
26	499631	Ring Set-Piston (Standard)	186	692317	Connector-Hose
	692785	Ring Set-Piston (.010" O.S.)	187	691050	Line-Fuel (Cut to Required Length)
	692786	Ring Set-Piston (.020" O.S.)			
	692787	Ring Set-Piston (.030" O.S.)	187A	692601	Line-Fuel (Molded)
27	691866	Lock-Piston Pin	188	690877	Screw (Control Bracket)
28	499423	Pin-Piston	189	694543	Ball-Rocker Arm
29	690124	Rod-Connecting	190	692127	Screw (Fuel Tank)
30	692562	Dipper-Connecting Rod	209	691278	Spring-Governor
32	691664	Screw (Connecting Rod)	209A	692571	Spring-Governor
32A	695759	Screw (Connecting Rod)	219	693578	Gear-Governor
33	499642	Valve-Exhaust	220	691724	Washer (Governor Gear)
34	499641	Valve-Intake	222	694253	Bracket-Control
35	691304	Spring-Valve (Intake)	227	692573	Control Lever-Governor
36	691304	Spring-Valve (Exhaust)	238	691300	Cap-Valve
40	692194	Retainer-Valve	265	691024	Clamp-Casing
45	690977	Tappet-Valve	267	692577	Screw (Casing Clamp)
46	693404	Camshaft	271	694256	Lever-Control
48	693779	Short Block (121432-0036-E2 Replacement Engine)	276	271716	∅‡ Sealing Washer
51	692555	∅‡+ Gasket-Intake	281	694252	Panel-Control
55	691422	Housing-Rewind Starter	300	693593	Muffler
58	693389	Rope-Starter (Cut to Required Length)	304	693621	Housing-Blower
		Insert-Grip	305	690960	Screw (Blower Housing)
59	805957	Grip-Starter Rope			
60	715257	Screw (Blower Housing)			
65	692608	Screw (Rewind Starter)			
65A	692608	Screw (Rewind Starter)			

• Included in Engine Gasket Set, Key No. 358
∅ Included in Carburetor Overhaul Kit, Key No. 121
‡ Included in Carburetor Gasket Set, Key No. 977
+ Included in Valve Gasket Set, Key, No. 1095

NOTE: All component dimensions given in U.S. inches 1 inch = 25.4 mm

TILLER - - MODEL NUMBER 917.293480
ENGINE, BRIGGS & STRATTON - - MODEL NUMBER 120402-0109-E1

KEY NO.	PART NO.	DESCRIPTION	KEY NO.	PART NO.	DESCRIPTION
306	693610	Shield-Cylinder	741	692565	Gear-Timing
307	690345	Screw (Cylinder Shield)	742	692564	Retainer-E Ring
332	690662	Nut (Flywheel)	746	692566	Gear-Idle
333	692605	Armature-Magneto	773	694258	Retainer
334	691061	Screw (Armature Magneto)	830	694544	Stud (Rocker Arm)
337	491055	Spark Plug	832	693583	Guard-Muffler
356	692390	Wire-Stop	836	690661	Screw (Muffler Guard)
358	695155	Engine Gasket Set	836A	693624	Screw (Muffler Guard)
363	19069	Flywheel Puller	851	493880	Terminal-Sparkplug
365	692568	Screw (Carburetor)	868	692044	+ Seal-Valve
383	19374	Wrench-Spark Plug	875	693459	Base-Air Cleaner
415	693463	Plug	883	691893	+ Gasket-Exhaust
427	694255	Nut (Control Bracket)	914	692198	Screw (Rocker Cover)
445	690610	Filter-Air Cleaner Cartridge	914A	692557	Screw (Rocker Cover)
455	692591	Cup-Flywheel	934	692590	Screw (Flywheel Fan)
456	692299	Plate-Pawl Friction	957	694261	Cap-Fuel Tank
467	691668	Knob-Air Cleaner	958	692586	Valve-Fuel Shut Off
459	281505	Pawl-Ratchet	961	693598	Screw (Air Cleaner Bracket)
504	694254	Washer Set	967	273356	Filter-Pre Cleaner
505	691251	Nut (Governor Control Lever)	968	693460	Cover-Air Cleaner
552	692346	Bushing-Governor Crank	971	690349	Screw (Air Cleaner Base)
562	691112	Bolt (Governor Control Lever)	971A	691693	Screw (Air Cleaner Base)
592	690800	Nut (Rewind Starter)	972	694260	Tank-Fuel
597	691696	Screw (Pawl Friction Plate)	975	493640	Bowl-Float
601	95162	Clamp-Hose	977	695156	Set-Carburetor Gasket
608	693394	Starter-Rewind	993	691892	+ Gasket-Cylinder Head Plate
613	691665	Screw (Muffler)	1005	692592	Fan-Flywheel
615	692576	Retainer-Governor Shaft	1019	694852	Kit-Label
616	692547	Crank-Governor	1022	691890	+ Gasket-Rocker Cover
619	691108	Screw (Cylinder Head Plate)	1023	499924	Cover-Rocker
621	692310	Switch-Stop	1026	693517	Rod-Push
632	693408	Spring/Link-Mechanical Governor	1029	691230	Arm-Rocker
			1034	691343	Guide-Push Rod
633	693867	∅‡ Seal-Choke/Throttle Shaft	1036	695041	Label-Emissions
633A	691321	∅‡ Seal-Throttle Shaft	1058	274781	Owner's Manual
635	692076	Boot-Sparkplug	1095	695289	Set-Valve Gasket
663	694593	Screw (Control Panel)	1210	498144	Assembly-Pulley/Spring (Pulley)
668	694257	Spacer			Assembly-Pulley/Spring (Spring)
676	393757	Deflector-Muffler	1211	498144	RPM Settings:Low Speed: 1900-2100 High Speed: 3000-3200
677	690661	Screw (Muffler Deflector)			
689	691855	Spring-Friction			
692	690572	Spring-Detent			
717	693462	Bracket-Air Cleaner			
718	690959	Pin-Locating			

- Included in Engine Gasket Set, Key. No. 358
- ∅ Included in Carburetor Overhaul Kit, Key. No. 121
- ‡ Included in Carburetor Gasket Set, Key. No. 977
- + Included in Valve Gasket Set, Key. No. 1095

NOTE: All component dimensions given in U.S. inches 1 inch = 25.4 mm