

**REPAIR PARTS MANUAL**  
**MODEL NO. 296130**  
**7.0 HP 17 Inch**  
**Tiller**

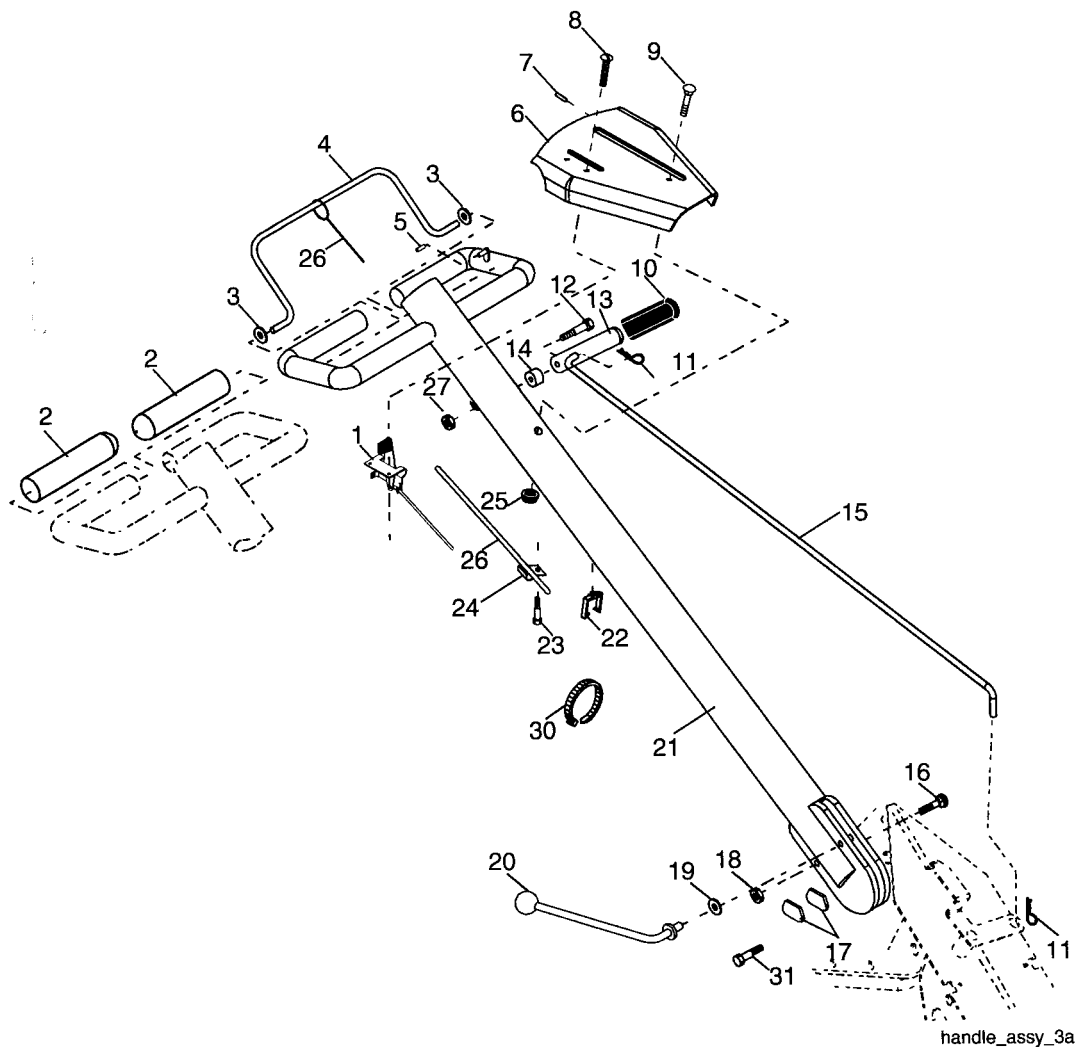
---

**CRAFTSMAN®**

# REPAIR PARTS

## TILLER -- MODEL NUMBER 917.296130

### HANDLES



KEY NO.	PART NO.	DESCRIPTION
1	180634	Throttle, Control
2	141406	Grip, Handle
3	110673X	Grommet, Handle
4	127254X	Bar, Drive Control Assembly
5	6712J	Cap, Vinyl
6	188403	Panel, Control
7	110641X	Bushing, Split
8	17720408	Screw 1/4-20 x 1/2
9	72010520	Bolt, 5/16-18 x 2-1/2
10	110646X	Handle, Grip
11	STD624004	Retainer Spring
12	81328	Bolt, Shoulder
13	187497	Handle, Shift
14	109313X	Grommet, Rubber
15	110702X	Rod, Shift
16	STD533710	Bolt, Rdhd Sqnk 3/8-16 x 1 Gr. 5
17	109229X	Lock, Handle

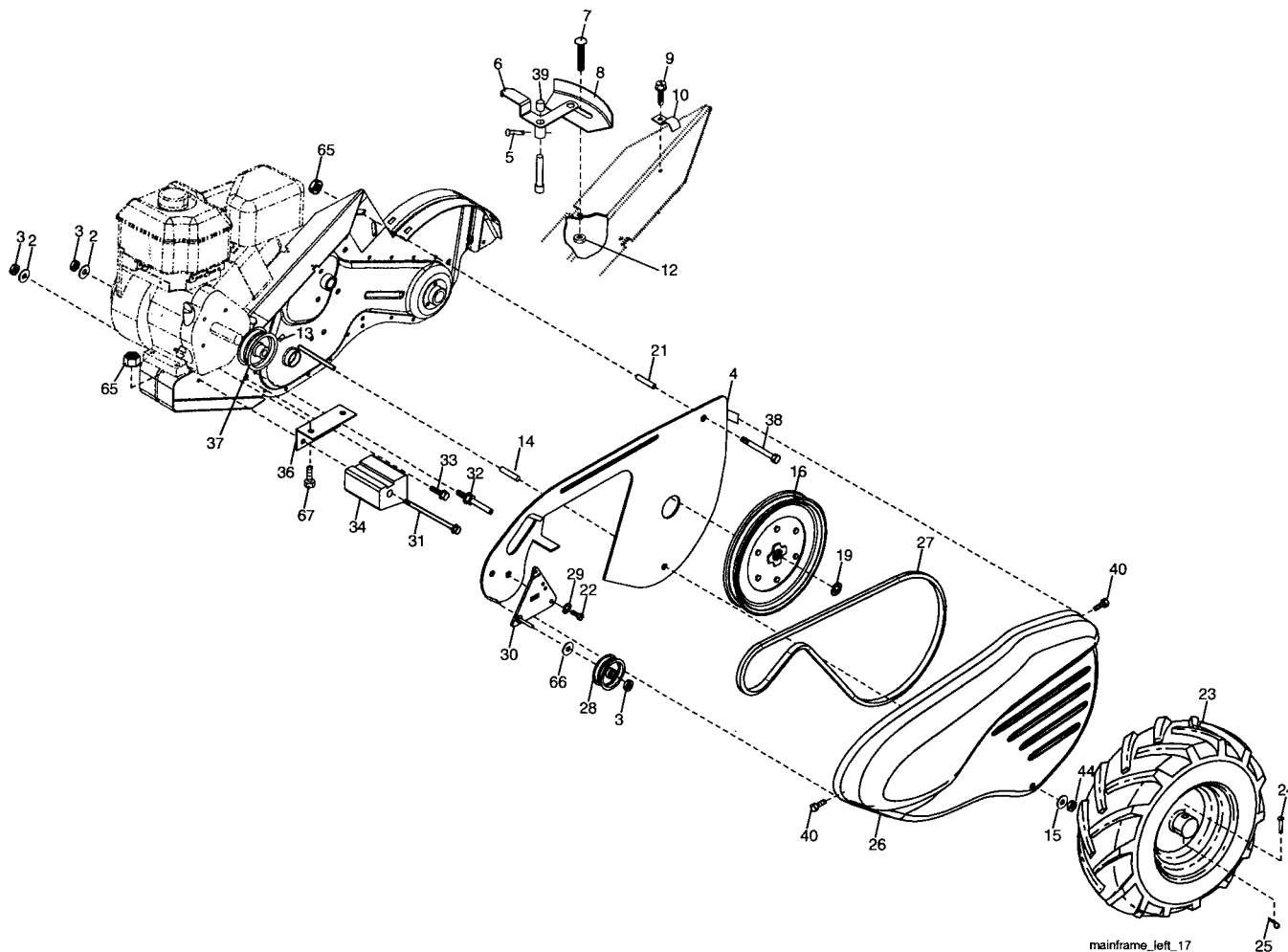
KEY NO.	PART NO.	DESCRIPTION
18	STD541437	Nut, Crownlock 3/8-16
19	19131611	Washer 13/32 x 1 x 11 Ga.
20	109228X	Lever, Lock, Handle
21	150628	Handle, Assemble
22	165197	Clip, Plastic, Cable
23	86777	Screw, Hex, Washer Hd, Slotted #10-24 x 1/2
24	9484R	Clip
25	73970500	Locknut, Hex, Flange
26	110675X	Clutch, Cable
27	73900400	Nut, Hex Flange 1/4-20 unc
30	7192J	Tie, Cable
31	150696	Bolt, Pivot

**NOTE:** All component dimensions given in U.S. inches.  
1 inch = 25.4 mm

# REPAIR PARTS

## TILLER - - MODEL NUMBER 917.296130

### MAINFRAME, LEFT SIDE



KEY NO.	PART NO.	DESCRIPTION
2	STD551137	Washer, Lock 3/8
3	STD541037	Nut, Hex 3/8-16
4	170127	Shield, Inner Belt Guard
5	164329	Pin, Shift Lever
6	162756	Lever, Shift
7	STD532505	Bolt, Carriage 1/4-20 x 1/2 Gr. 5
8	161530	Plate, Shift Indicator
9	86777	Screw, Hex, Washer Head, Slotted #10-24 x 1/2
10	9484R	Clip
12	73510400	Nut, Keps Hex 1/4-20 unc
13	23230506	Screw, Set, 5/16-18 x 3/8
14	110652X	Spacer, Split .327 x .42 x 2.09
15	STD551031	Washer 11/32 x 11/16 x 16 Ga.
16	145102	Sheave, Transmission
19	12000028	Ring, Retainer
21	156117	Spacer, Split .327 x .42 x 1.220
22	74770508	Bolt, Fin Hex 5/16-24 x 1/2
23	102190X	Tire
	183122X624	Rim
	795R	Tire Valve

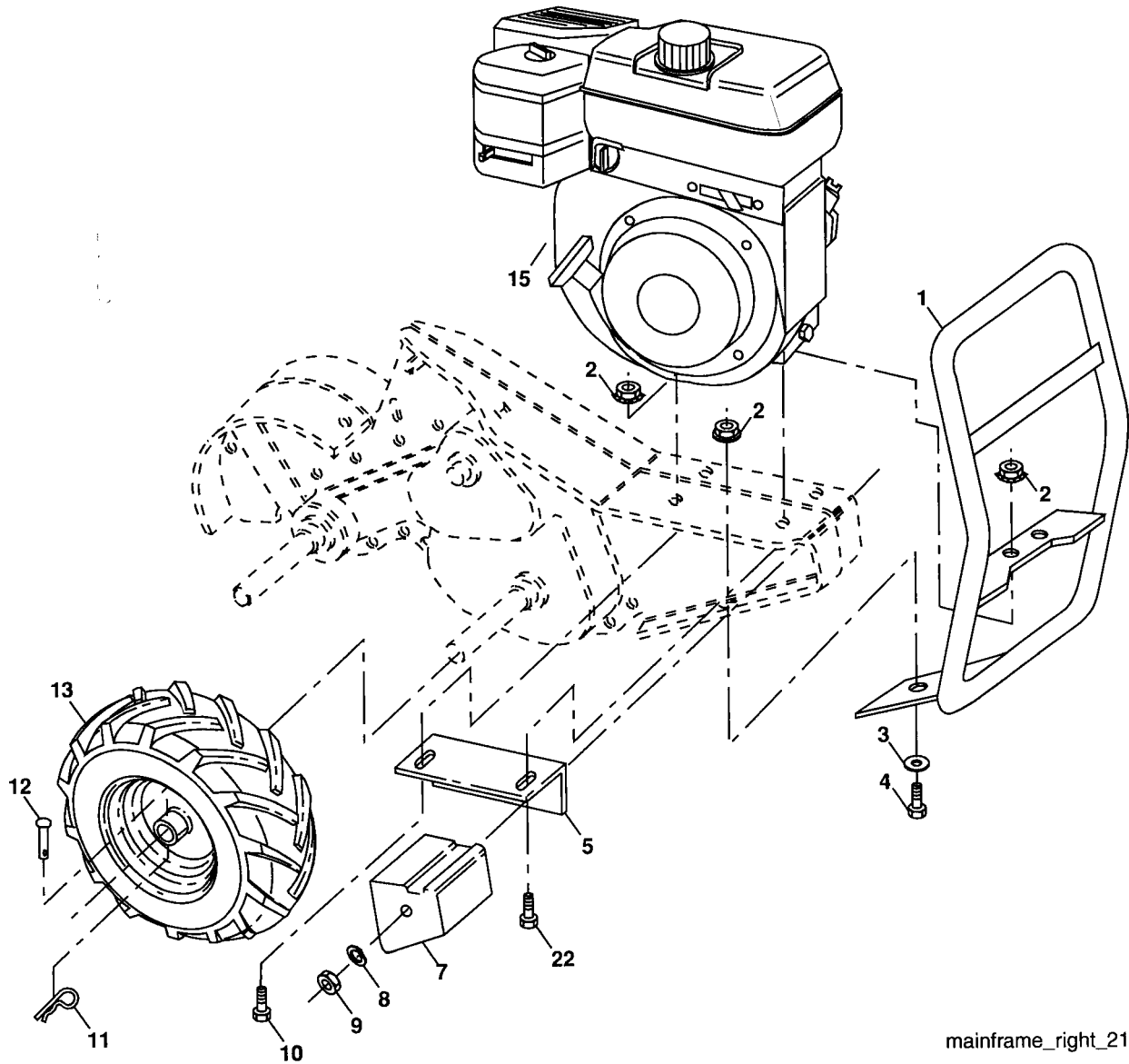
KEY NO.	PART NO.	DESCRIPTION
24	126875X	Rivet, Drilled
25	STD624008	Retainer Spring
26	165501X428	Guard, Belt
27	132801	Belt, V
28	104679X	Pulley, Idler
29	12000032	Ring, Klip
30	159229	Bracket, Idler
31	102384X	Bolt, Hex 5/16-16 x 12
32	102141X	Shaft, Idler Arm
33	STD523710	Bolt, Hex 3/8-16 x 1
34	102383X	Counterweight, L.H.
36	102331X	Bracket, Reinforcement, L.H.
37	130812	Sheave, Engine
38	74760544	Bolt, Fin Hex 5/16-18 x 2-3/4
39	140062	Cap, Plunger
40	170488	Screw Hex Wsh. Slit #10-24 x .50
44	STD541431	Nut, Lock 5/16-18
65	73970500	Nut, Lock Hex Flange
66	19131312	Washer 13/32 x 13/16 x 12 Ga.
67	74760524	Bolt 5/16-18 x 1-1/2

**NOTE:** All component dimensions given in U.S. inches.  
1 inch = 25.4 mm

# REPAIR PARTS

## TILLER - - MODEL NUMBER 917.296130

### MAINFRAME, RIGHT SIDE



mainframe\_right\_21

KEY NO.	PART NO.	DESCRIPTION
1	185190	Bumper
2	73970500	Locknut, Hex, Flange 5/16-18
3	STD551031	Washer 11/32 x 11/16 x 16 Ga.
4	74760512	Bolt, Hex 5/16-18 x 3/4
5	102332X	Bracket, Reinforcement
7	102173X	Counter Weight, R.H.
8	STD551137	Washer, Lock 3/8
9	STD541037	Nut, Hex 3/8-16
10	74760524	Bolt, Hex 5/16-18 x 1-1/2
11	STD624008	Retainer Spring

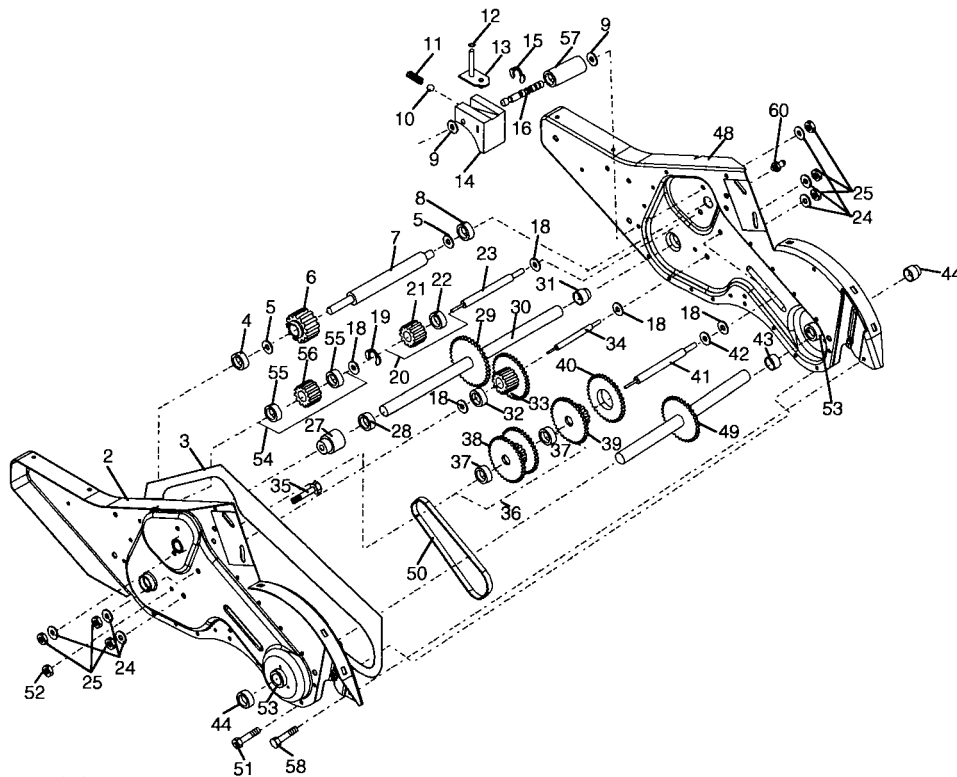
KEY NO.	PART NO.	DESCRIPTION
12	126875X	Rivet, Drilled
13	102190X	Tire
	183122X624	Rim
	795R	Tire Valve
15	-----	Engine Briggs Model No. 122002-0496-B1
22	74760528	Bolt, Fin Hex 5/16-18 unc x 1-3/4

**NOTE:** All component dimensions given in U.S.inches.  
1 inch = 25.4 mm

# REPAIR PARTS

## TILLER - - MODEL NUMBER 917.296130

### TRANSMISSION



transmission\_7

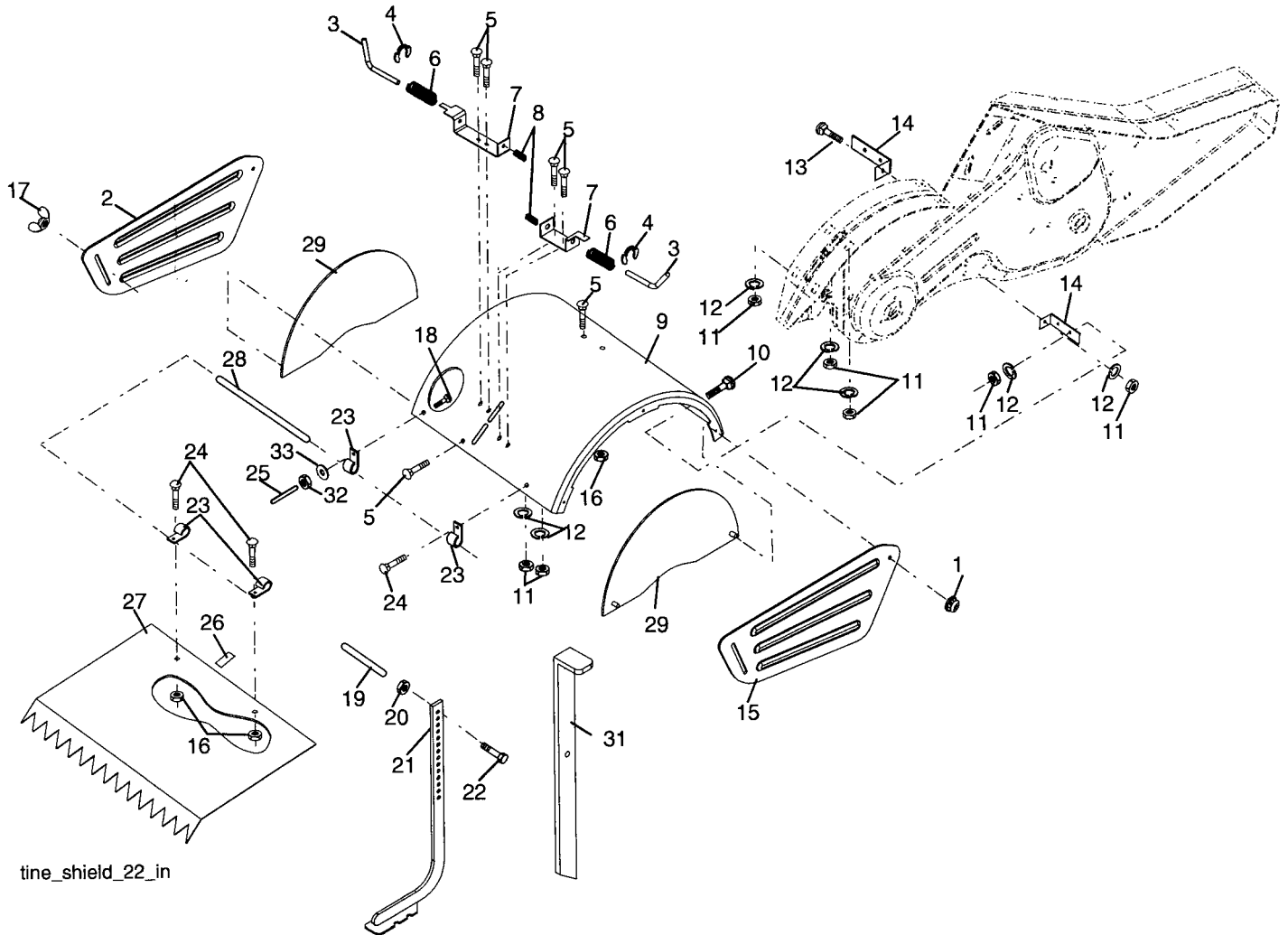
KEY NO.	PART NO.	DESCRIPTION	KEY NO.	PART NO.	DESCRIPTION
1	188240	Transmission Assembly (Includes Key Nos. 2-52)	32	106388X	Spacer 0.70 x 1.00 x 1.150
2	188220	Gearcase, L.H. w/Bearing (Includes Key No. 4)	33	102121X	Sprocket and Gear Assembly
3	161963	Gasket, Gearcase	34	102112X	Shaft, Reduction (2nd)
4	5020J	Bearing, Needle	35	102101X	Screw, Whiz, Lock 5/16-18 x 3-1/2
5	1370H	Washer, Thrust 5/8 x 1.10 x 1/32	36	161524	Sprocket Assembly w/Bearing (Includes Key Nos. 37 and 38)
6	161520	Pinion, Input	37	100413K	Bearing, Needle
7	161518	Shaft, Input	38	161525	Sprocket, Tine
8	4895H	Bearing, Needle	39	161526	Gear, Cluster, Red 1st & 2nd
9	154467	Washer, Seal	40	105346X	Gear, Reverse
10	7392M	Ball, Steel	41	161523	Shaft, Reduction (1st)
11	100371K	Spring, Shift, Fork	42	4220R	Washer, Thrust
12	106160X	O-Ring	43	106146X	Spacer 1.01 x 1.75 x 0.760
13	142145	Arm, Shift	44	155236	Seal Asm. Oil
14	8353J	Fork, Shift	48	188235	Gearcase, R.H. w/Bearing (Includes Key No. 8)
15	12000039	Ring, Klip	49	132688	Shaft, Tine
16	161516	Shaft, Shift	50	106147X	Chain, Roller #50-50 Pitch
18	4358J	Washer	51	17720408	Screw 1/4-20 x 1/2
19	12000040	Ring, Klip	52	73220500	Nut, Hex 5/16-18
20	102114X	Gear, Assembly, Reverse Idler (Includes Key Nos. 21 and 22)	53	165140	Bearing Kit, Tine Shaft
21	102115X	Gear, Reverse Idler	54	161528	Gear, DRT Idler w/Bearing (Includes Key No. 55)
22	6803J	Bearing, Needle	55	3400R	Bearing, Needle
23	161527	Shaft, Reverse Idler	56	161529	Gear, DRT Idler
24	STD551143	Washer, Lock 7/16	57	165889	Spacer, Split .52 x .64 x 1.04
25	STD541143	Nut, Hex 7/16-20	58	179520	Screw 1/4-20 x .875
27	143009	Bearing, Shaft, Ground Drive L.H.	60	183226	Fitting Grease
28	106390X	Spacer 0.765 x 1.125 x 1.23	--	6066J	Grease, Plastilube #1
29	102134X	Chain #35-50 Pitch			
30	150737	Ground Shaft Assembly			
31	143008	Bearing, Shaft, Ground Drive R.H.			

**NOTE:** All component dimensions given in U.S. inches.  
1 inch = 25.4 mm

# REPAIR PARTS

## TILLER - - MODEL NUMBER 917.296130

### TINE SHIELD



tine\_shield\_22\_in

KEY NO.	PART NO.	DESCRIPTION
1	73900500	Nut, Lock Hex Flange 5/16-18 unc
2	161415X428	Shield, Side, Outer L. H.
3	8393J	Pin, Stake, Depth
4	12000035	Ring, Klip
5	180847	Bolt Rdhd Sqnk 5/16-18 x 3/4
6	8394J	Spring
7	8392J	Bracket, Latch
8	109230X	Spring, Depth Stake
9	188862X428	Shield, Tine
10	STD533110	Bolt, Carriage 5/16-18 x 1 Gr. 5
11	STD551131	Washer, Lock 5/16
12	STD541031	Nut, Hex 5/16-18
13	72110510	Bolt, Carriage 5/16-18 x 1-1/4
14	124343X	Bracket, Shield Tine
15	161414X428	Shield, Side, Outer R.H.
16	73900400	Nut, Hex Flange 1/4-20
17	162175	Nut, Wing Forged 5/16-18
18	STD532512	Bolt, Carriage 1/4-20 x 1-1/4 Gr. 5

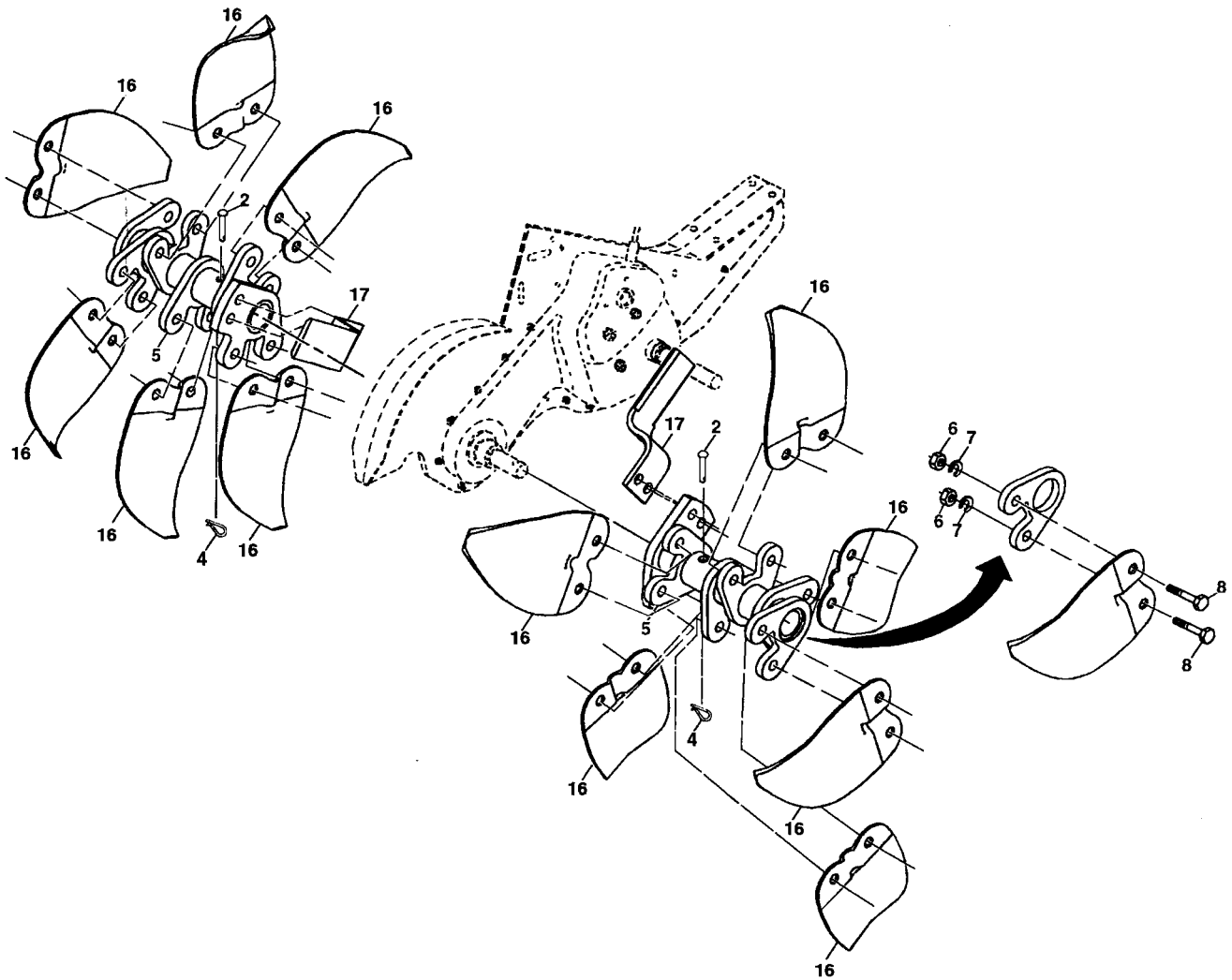
KEY NO.	PART NO.	DESCRIPTION
19	102701X	Grip
20	STD541037	Nut, Hex 3/8-16
21	102156X	Stake, Depth
22	74930632	Bolt, Hex 3/8-16 x 2
23	4440J	Hinge
24	72140404	Bolt, Carriage 1/4-20 x 1/2
25	6712J	Cap, Vinyl
26	109227X	Pad, Idler
27	102695X428	Shield, Leveling
28	120588X	Pin, Hinge
29	197761X428	Shield, Side
31	188454X613	Stake, Drag
32	73220400	Nut, Fin, Hex 1/4-20 unc
33	STD551125	Washer Lock Hvy Helical 1/4

**NOTE:** All component dimensions given in U.S. inches.  
1 inch = 25.4 mm

# REPAIR PARTS

## TILLER - - MODEL NUMBER 917.296130

### TINE ASSEMBLY



KEY NO.	PART NO.	DESCRIPTION
2	132673	Pin, Shear
4	3146R	Clip, Hairpin
5	188844	Tine Assembly
6	73610600	Nut, Hex 3/8-24
7	STD551137	Washer, Lock 3/8

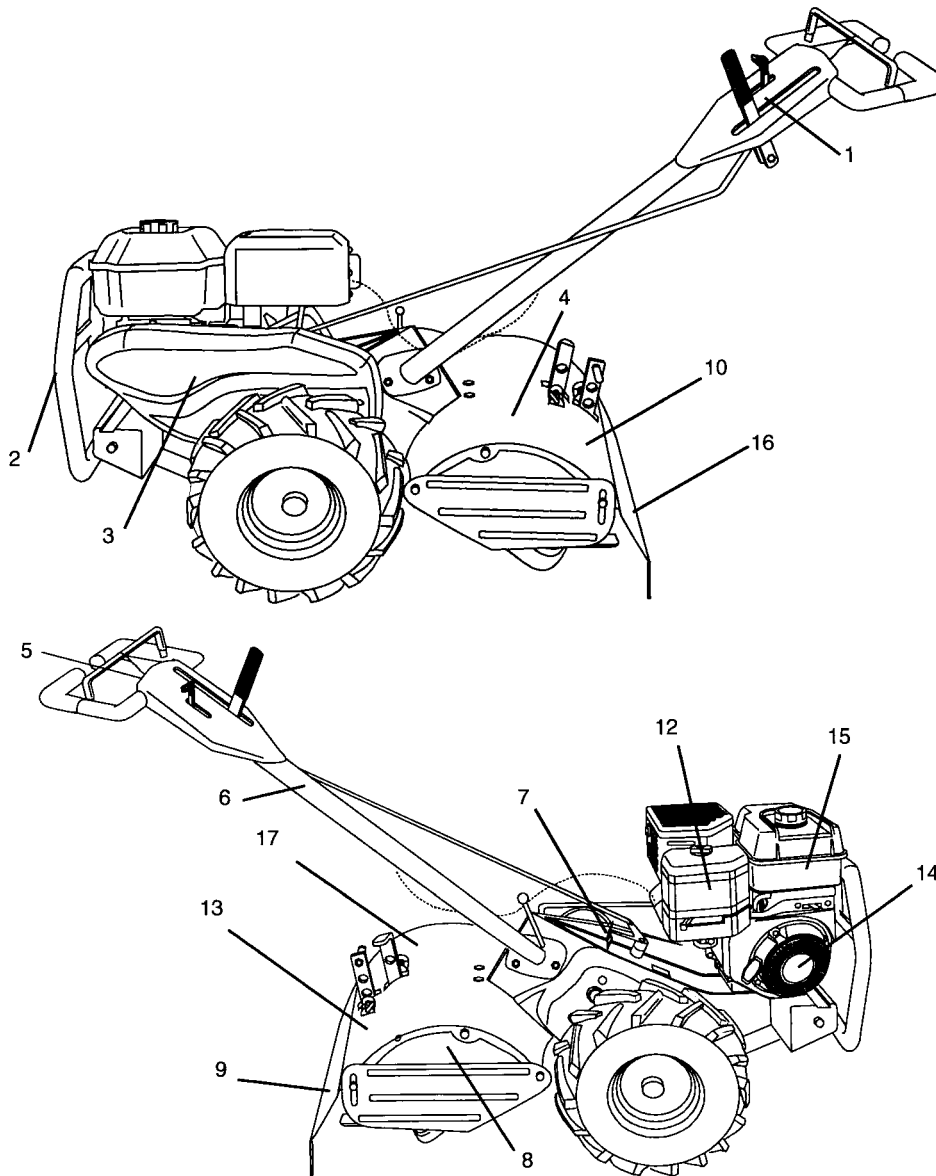
KEY NO.	PART NO.	DESCRIPTION
8	74610616	Bolt, Hex 3/8-24 x 1
16	163499	Tine, Spade
17	163500	Tine, Cleaning

**NOTE:** All component dimensions given in U.S. inches.  
1 inch = 25.4 mm

# REPAIR PARTS

## TILLER - - MODEL NUMBER 917.296130

### DECALS



KEY NO.	PART NO.	DESCRIPTION
1	196441	Decal, CNTRL. PNL
2	145023	Decal, Logo
3	404456	Decal, Belt Guard
4	196620	Decal, Tine Shield
5	196622	Decal, Caution, Drive Control
6	159877	Decal, Hand Placement
7	196621	Decal, Shift Indicator
8	196638	Decal, Tine, Shield, Counter Rotating Tines
9	176557	Decal, Warning, DRT
10	404460	Decal, Tiller
12	191118	Decal, Oper/Lub Instructions
13	404455	Decal, Tine Shield
14	171078	Decal, Rewind
15	177854	Decal, Engine
16	145437	Decal, Euro
17	404462	Decal, Tiller
--	404610	Manual, Operator's (Euro)
--	404611	Manual, Operator's (Scan)
--	404612	Manual, Parts



---

# SERVICE NOTES

---

---

# SERVICE NOTES

---

---

# SERVICE NOTES

---

## **LIMITED TWO YEAR WARRANTY ON CRAFTSMAN TILLER**

For two years from date of purchase, when this Craftsman Tiller is maintained, lubricated, and tuned up according to the operating and maintenance instructions in the owner's manual, Sears will repair free of charge any defect in material or workmanship.

This Warranty does not cover:

- Expendable items which become worn during normal use, such as tines, spark plugs, air cleaners and belts.
- Repairs necessary because of operator abuse or negligence, including bent crankshafts and the failure to maintain the equipment according to the instructions contained in the owner's manual.
- If this Craftsman Tiller is used for commercial or rental purposes, this Warranty applies for only 30 days from the date of purchase.

WARRANTY SERVICE IS AVAILABLE BY RETURNING THE CRAFTSMAN TILLER TO THE NEAREST SEARS SERVICE CENTER/DEPARTMENT IN THE UNITED STATES. THIS WARRANTY APPLIES ONLY WHILE THIS PRODUCT IS IN USE IN THE UNITED STATES.

This Warranty gives you specific legal rights, and you may also have other rights which vary from state to state.

SEARS, ROEBUCK AND CO., D/817WA, HOFFMAN ESTATES, IL 60179

**CRAFTSMAN®**