

SEARS

**OWNER'S
MANUAL**

**MODEL NO.
917.296350**

**Caution:
Read and follow
all Safety Rules
and Instructions
Before Operating
This Equipment**



CRAFTSMAN®

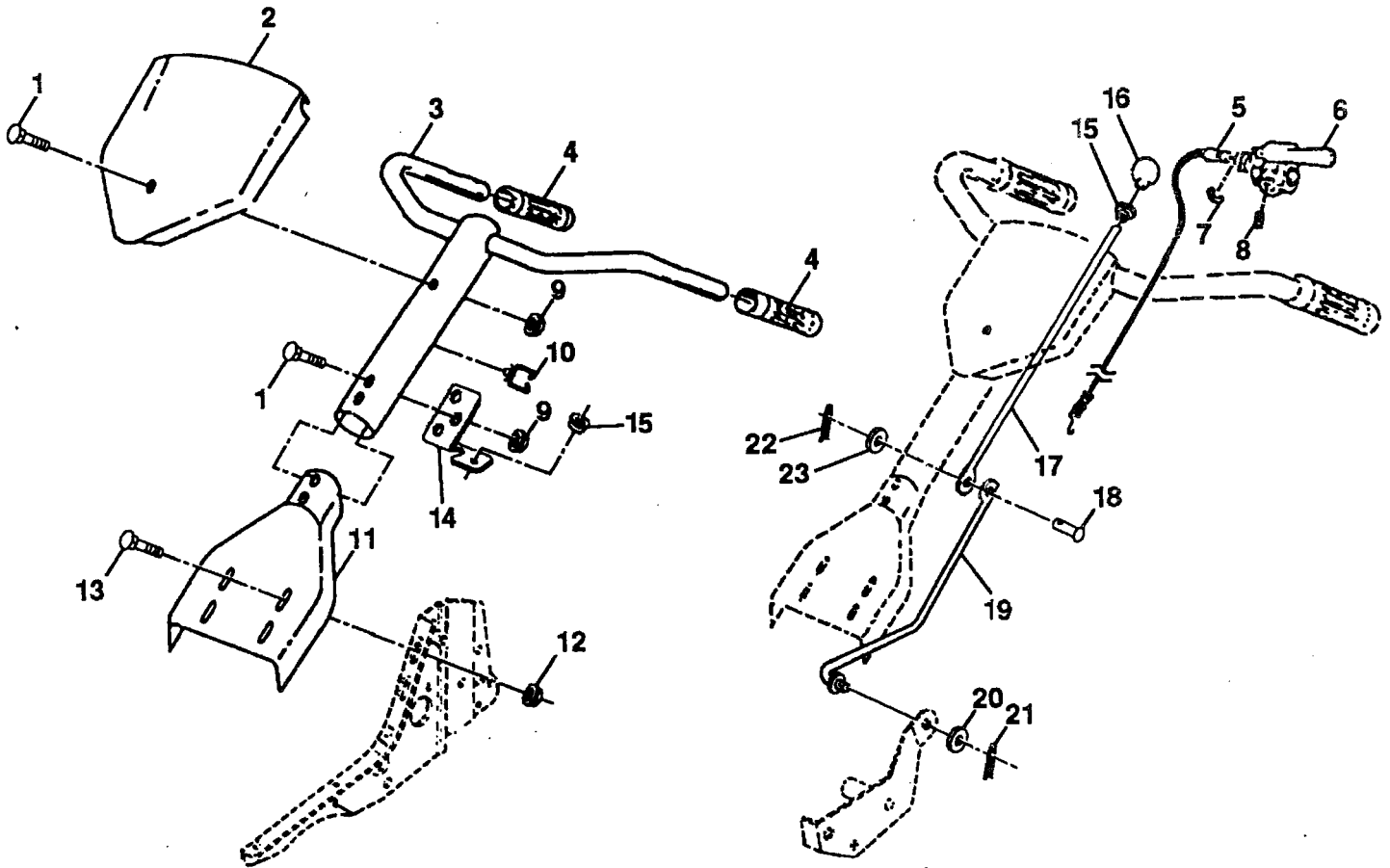
**5.0 HP
26 INCH TINE WIDTH
FRONT TINE TILLER
WITH REVERSE**

- **Assembly**
- **Operation**
- **Customer Responsibilities**
- **Service and Adjustments**
- **Repair Parts**

REPAIR PARTS

5 HP 26" TILLER -- MODEL NUMBER 917.296350

HANDLE ASSEMBLY



KEY NO.	PART NO.	DESCRIPTION
1	STD533125	Bolt, Carriage 5/16-18 UNC x 2-3/8 Grade 5
2	136993	Panel, Control
3	110512X	Assembly, Handle Column
4	110632X	Grip, Handle
5	3066J	Cable, Tine Control
6	2635J	Lever, Control, Tine
7	12000027	Ring, Clip
8	23200405	Screw, Set
9	73970500	Locknut, Flange 5/16-18 UNC
10	121145X	Clip, Cable
11	110514X	Assembly, Panel and Tube
12	98000129	Nut, Flange

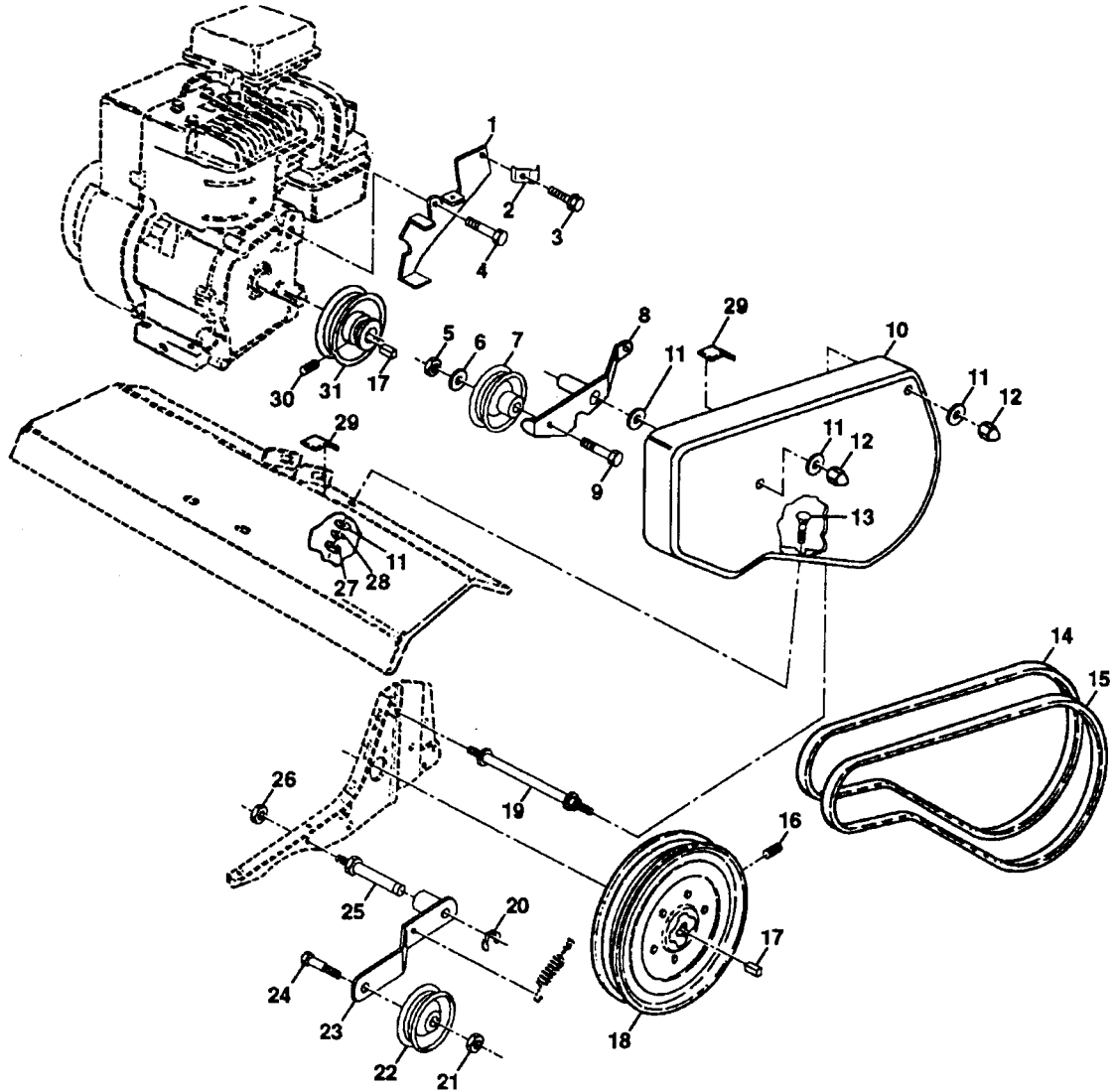
KEY NO.	PART NO.	DESCRIPTION
13	STD533107	Bolt, Carriage 5/16-18 x 3/4
14	136998	Bracket, Reverse Rod
15	137640	Bushing, Reverse Rod Bracket
16	106932X	Knob, Control, Reverse
17	101248X	Reverse Rod, Upper
18	1778E	Pin, Retaining
19	137056	Reverse Rod, Lower
20	STD551037	Washer 13/32 x 13/16 x 16 Gauge
21	STD561210	Pin, Cotter 1/8 x 3/4
22	STD560907	Pin, Cotter 3/32 x 1/2
23	19090814	Washer 9/32 x 1/2 x 14 Gauge

NOTE: All component dimensions given in U.S. inches.
1 inch = 25.4 mm

REPAIR PARTS

5 HP 26" TILLER - - MODEL NUMBER 917.296350

BELT GUARD AND PULLEY ASSEMBLY



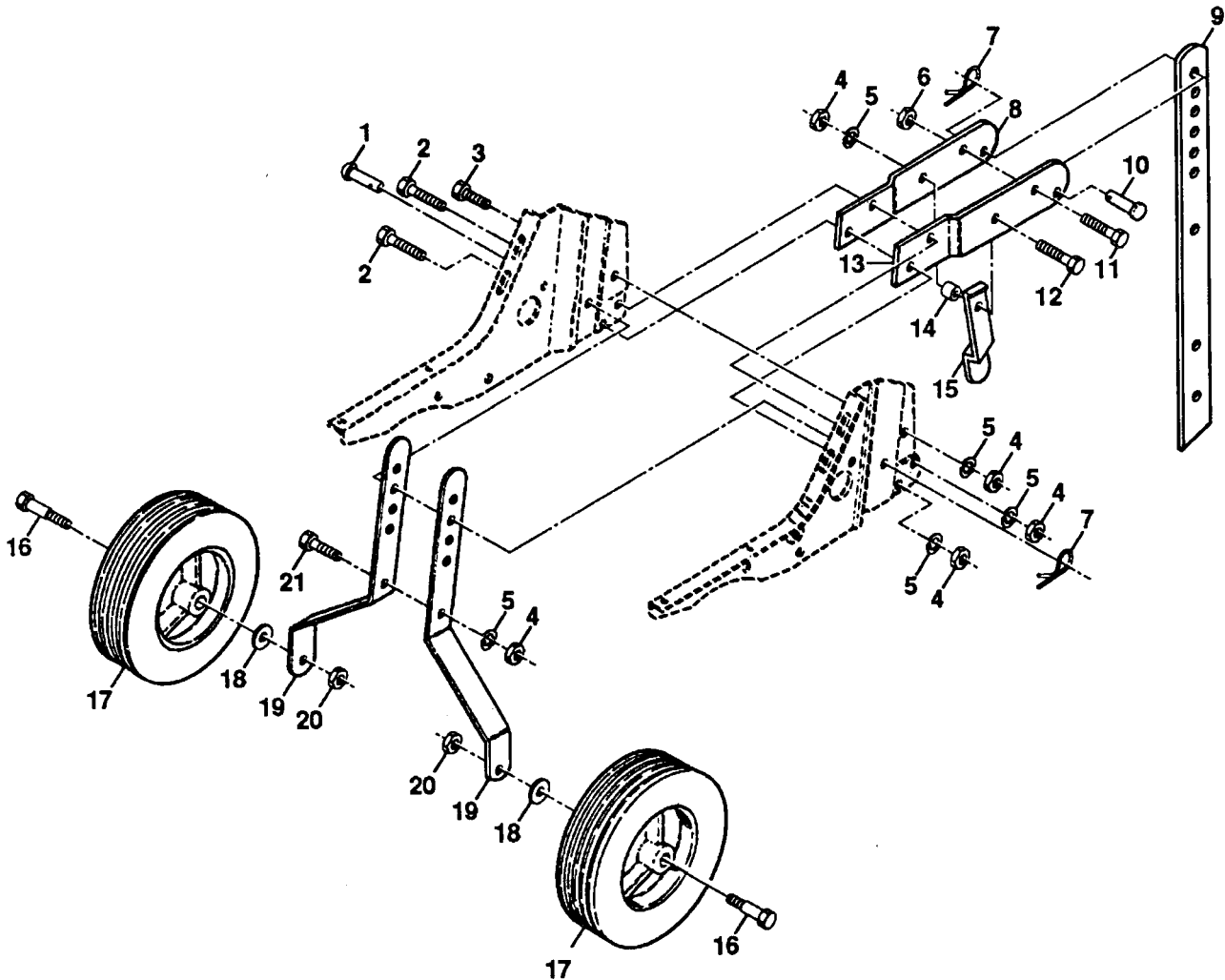
KEY NO.	PART NO.	DESCRIPTION	KEY NO.	PART NO.	DESCRIPTION
1	123643X	Assembly, Bracket, Belt Guard	17	2649M	Key, Square
2	9484R	Clip, Cable	18	2607J	Sheave, Transmission
3	86777	Screw, Hex Washer Head, Slotted, Thread Cutting #10-24 x 1/2 Type D	19	110550X	Bolt, Belt Guard
4	74770812	Bolt, Hex Head 1/2-20 x 3/4	20	12000036	Ring, Klip
5	STD541037	Nut, Hex 3/8-16	21	STD541237	Nut, Hex, Jam 3/8-16
6	19131316	Washer 13/32 x 13/16 x 16 Gauge	22	9178R	Pulley, Idler
7	2009J	Pulley, Idler, Reverse	23	674A30	Arm, Idler
8	127180X	Assembly, Arm, Reverse Idler	24	STD523712	Bolt, Hex Head 3/8-16 x 1-1/4
9	STD523715	Bolt, Hex Head 3/8-16 x 1-1/2	25	106968X	Shaft, Idler Arm
10	106970X459	Guard, Belt	26	73350500	Nut, Hex, Jam 5/16-18
11	STD551025	Washer 9/32 x 5/8 x 16 Gauge	27	STD541025	Nut, Hex 1/4-20
12	104213X	Nut, Cap 1/4- 20	28	STD551125	Washer, Lock 1/4
13	72140405	Bolt, Carriage 1/4-20 x 5/8	29	109227X	Pad, Idler
14	133035	V-Belt (Forward Motion)	30	23200404	Screw, Set , Socket, Headless C.P. 1/4-20 x 1/4
15	2614J	V-Belt (Reverse)	31	101189L	Sheave, Engine
16	23230506	Screw, Set , Socket, Headless C.P. 5/16-18 x 3/8			

NOTE: All component dimensions given in U.S. inches.
1 inch = 25.4 mm

REPAIR PARTS

5 HP 26" TILLER -- MODEL NUMBER 917.296350

WHEEL AND DEPTH STAKE ASSEMBLY



KEY NO.	PART NO.	DESCRIPTION
1	9194R	Pin, Clevis
2	74760520	Bolt, Hex Head 5/16-18 x 1-1/4
3	STD523107	Bolt, Hex Head 5/16-18 x 3/4
4	STD541031	Nut, Hex 5/16-18
5	STD551131	Washer, Lock 5/16
6	STD541537	Locknut 3/8-24
7	4921H	Clip, Hairpin
8	1952J	Support, Depth Stake, R.H.
9	122233X	Stake, Depth
10	326J	Pin, Clevis
11	STD623715	Bolt, Hex 3/8-24 x 1-1/2 Grade 5

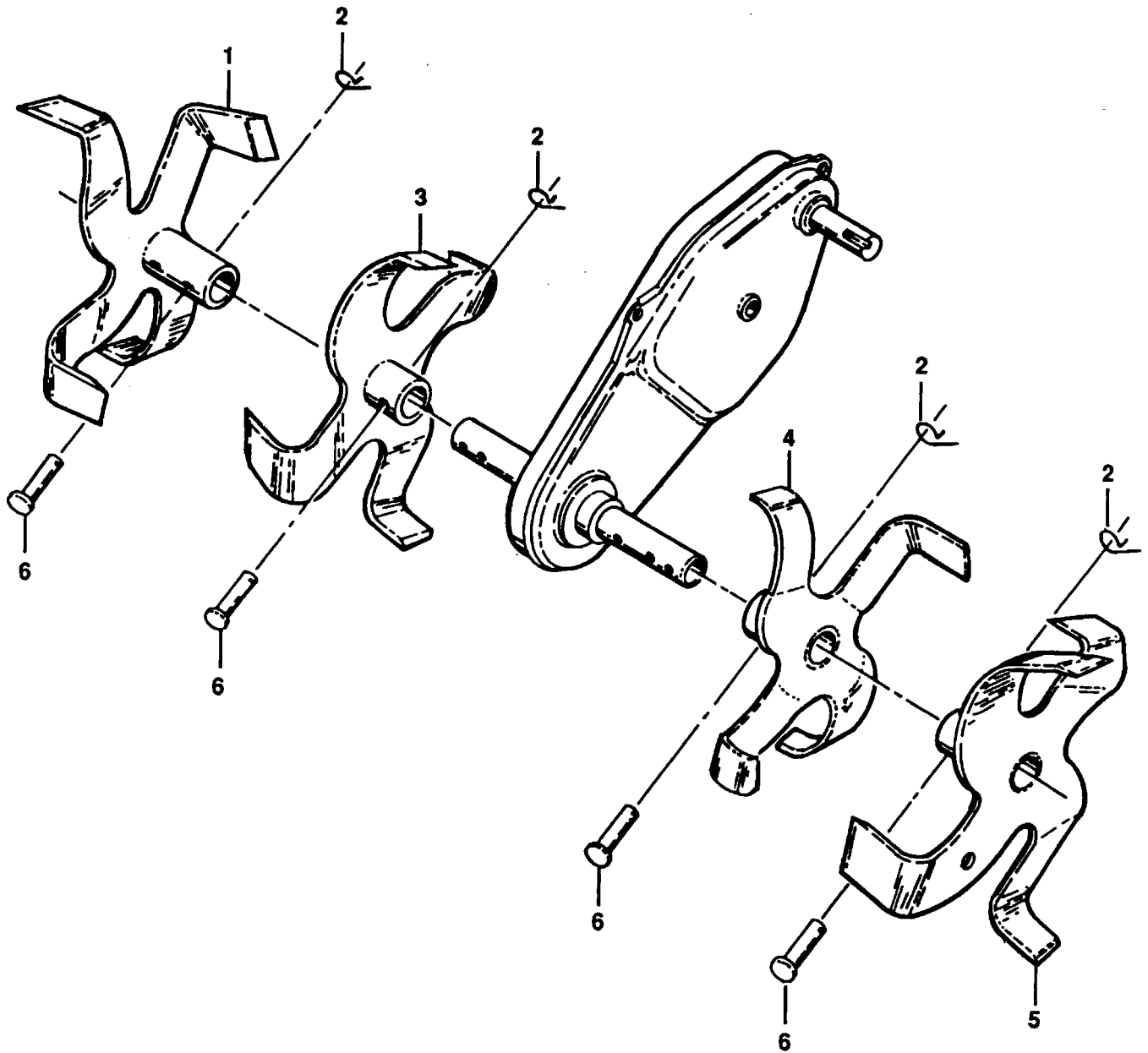
KEY NO.	PART NO.	DESCRIPTION
12	74760524	Bolt, Hex 5/16-18 x 1-1/2 Grade 2
13	1951J	Support, Depth Stake, L.H.
14	120958X	Washer
15	5388J	Spring, Stake
16	121117X	Bolt, Shoulder
17	9188R	Wheel
18	STD551037	Washer 13/32 x 13/16 x 11 Gauge
19	9190R	Bracket, Wheel
20	STD541437	Locknut, Crown 3/8-16
21	74760516	Bolt, Hex Head 5/16-18 x 1

NOTE: All component dimensions given in U.S. inches.
1 inch = 25.4 mm

REPAIR PARTS

5 HP 26" TILLER - - MODEL NUMBER 917.296350

TINE ASSEMBLY



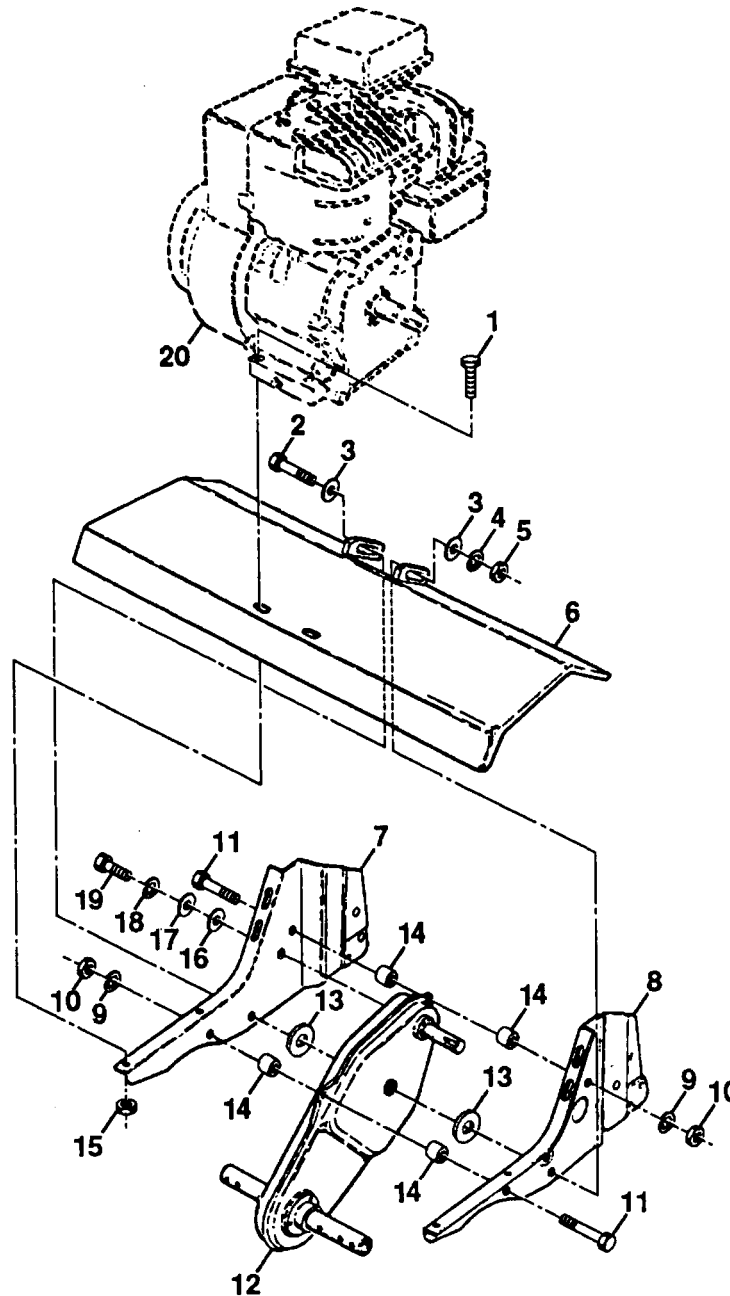
KEY NO.	PART NO.	DESCRIPTION
1	100746M	Tine, Outer, R.H.
2	STD624008	Clip, Hairpin
3	674A43	Tine, Inner, R.H.

KEY NO.	PART NO.	DESCRIPTION
4	674A42	Tine, Inner, L.H.
5	100744M	Tine, Outer, L.H.
6	4929H	Pin, Clevis

REPAIR PARTS

5 HP 26" TILLER - - MODEL NUMBER 917.296350

TRANSMISSION



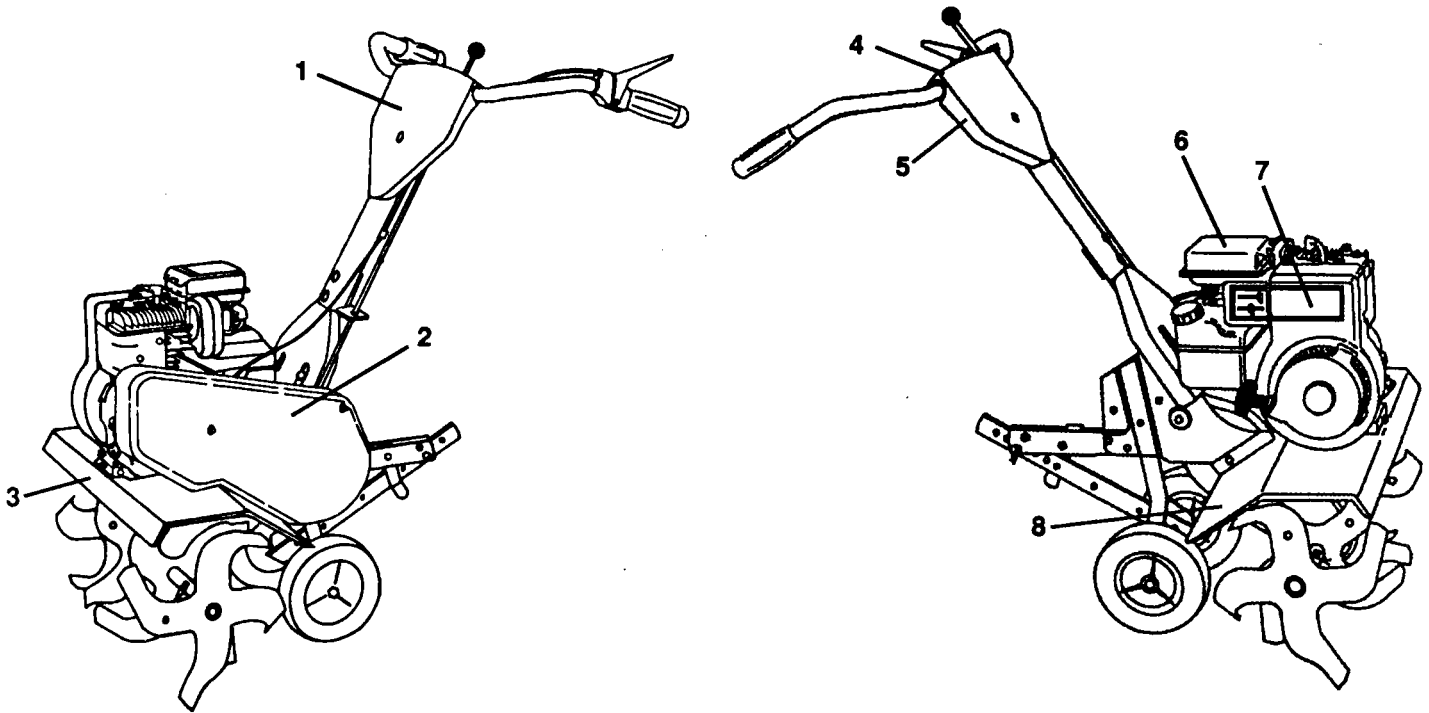
KEY NO.	PART NO.	DESCRIPTION	KEY NO.	PART NO.	DESCRIPTION
1	74760524	Bolt, Hex 5/16-18 x 1-1/2 Grade 2	13	19171616	Washer 17/32 x 1 x 16 Gauge
2	STD623732	Bolt, Hex 3/8-24 x 3-1/4 Grade 5	14	9173R	Spacer, Split
3	STD551037	Washer 13/32 x 13/16 x 11	15	STD541431	Nut, Hex, Keps 5/16-18 UNC
4	STD551137	Washer, Lock 3/8	16	19091412	Washer 9/32 x 7/8 x 12 Gauge
5	7810H	Locknut 3/8-24	17	19092016	Washer 9/32 x 1-1/4 x 16 Gauge
6	9056R459	Shield, Tine	18	STD551125	Washer, Lock 1/4
7	1949J	Bracket, Engine, R.H.	19	74610412	Bolt, Hex 1/4-28 x 3/4 Grade 5
8	110519X	Bracket, Engine, L.H.	20	137263	Engine, Briggs & Stratton, 5 HP, Model No. 135202, Type 0119-01
9	STD551131	Washer, Lock 5/16			
10	STD541031	Nut, Hex 5/16-18			
11	74760544	Bolt, Hex Head 5/16-18 x 2-3/4			
12	126669X	Transmission			

NOTE: All component dimensions given in U.S. inches.
1 inch = 25.4 mm

REPAIR PARTS

5 HP 26" TILLER - - MODEL NUMBER 917.296350

DECALS

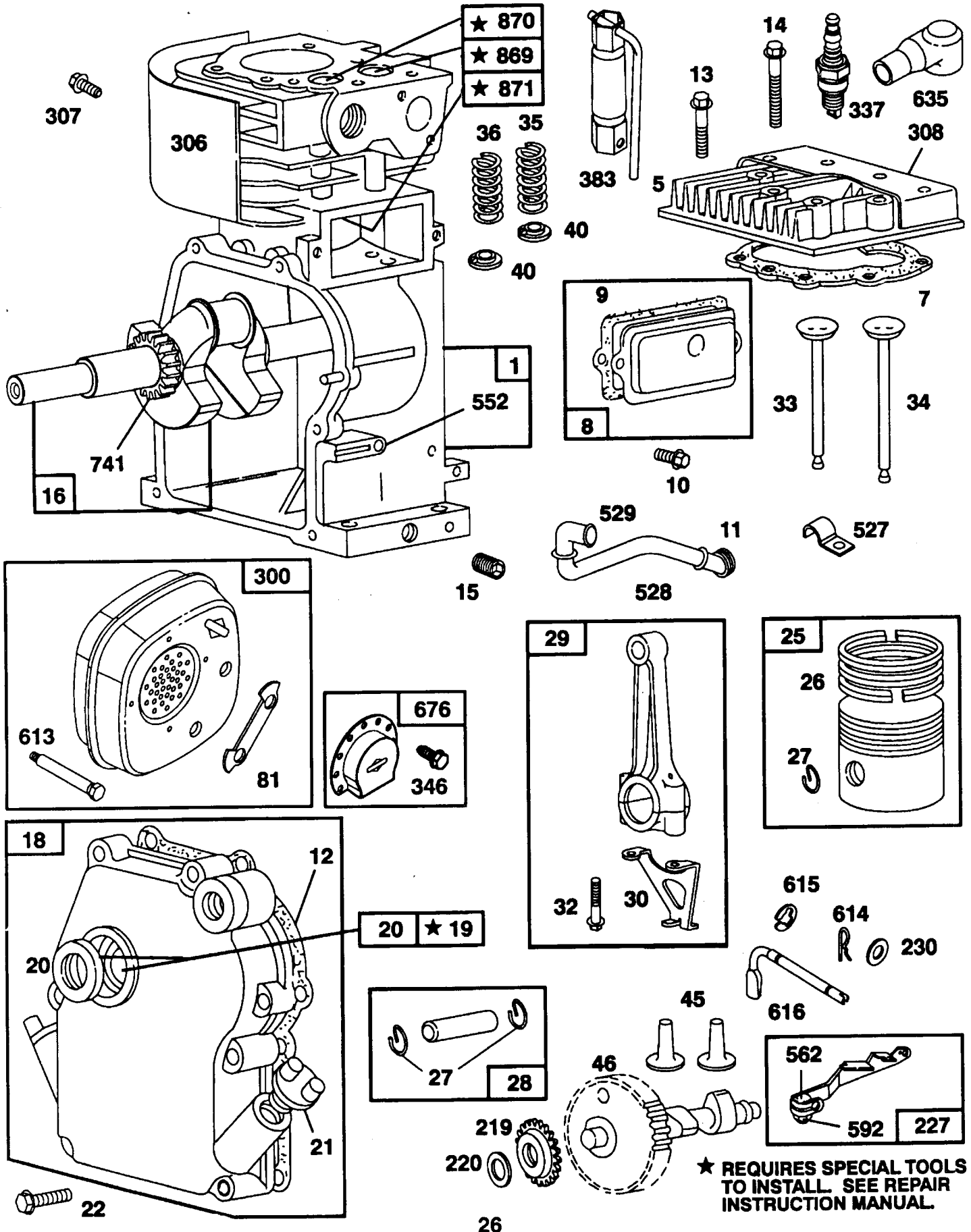


KEY NO.	PART NO.	DESCRIPTION
1	137742	Decal, Logo
2	133026	Decal, Logo
3	137737	Decal, Logo
4	137653	Decal, Caution, Tine Control
5	120431X	Decal, Hand Placement
6	110719X	Decal, Operation and Lubrication
7	132402	Decal, HP
8	120075X	Decal, Warning, Rotating Tines
--	137629	Manual, Owner's

REPAIR PARTS

5 HP 26" TILLER -- MODEL NUMBER 917.296350

BRIGGS & STRATTON ENGINE -- MODEL NUMBER 135202, TYPE NO. 0119-01

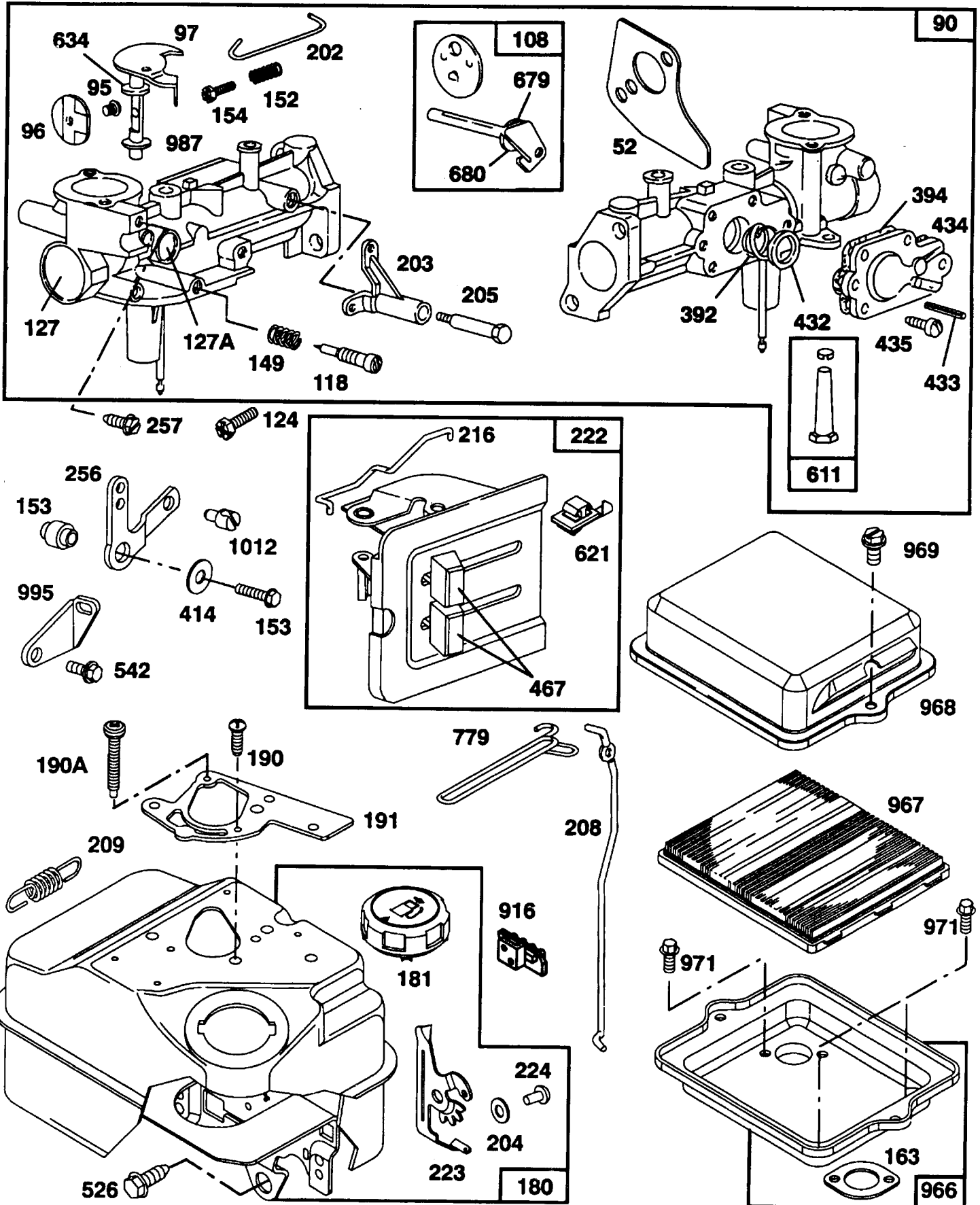


★ REQUIRES SPECIAL TOOLS TO INSTALL. SEE REPAIR INSTRUCTION MANUAL.

REPAIR PARTS

5 HP 26" TILLER - - MODEL NUMBER 917.296350

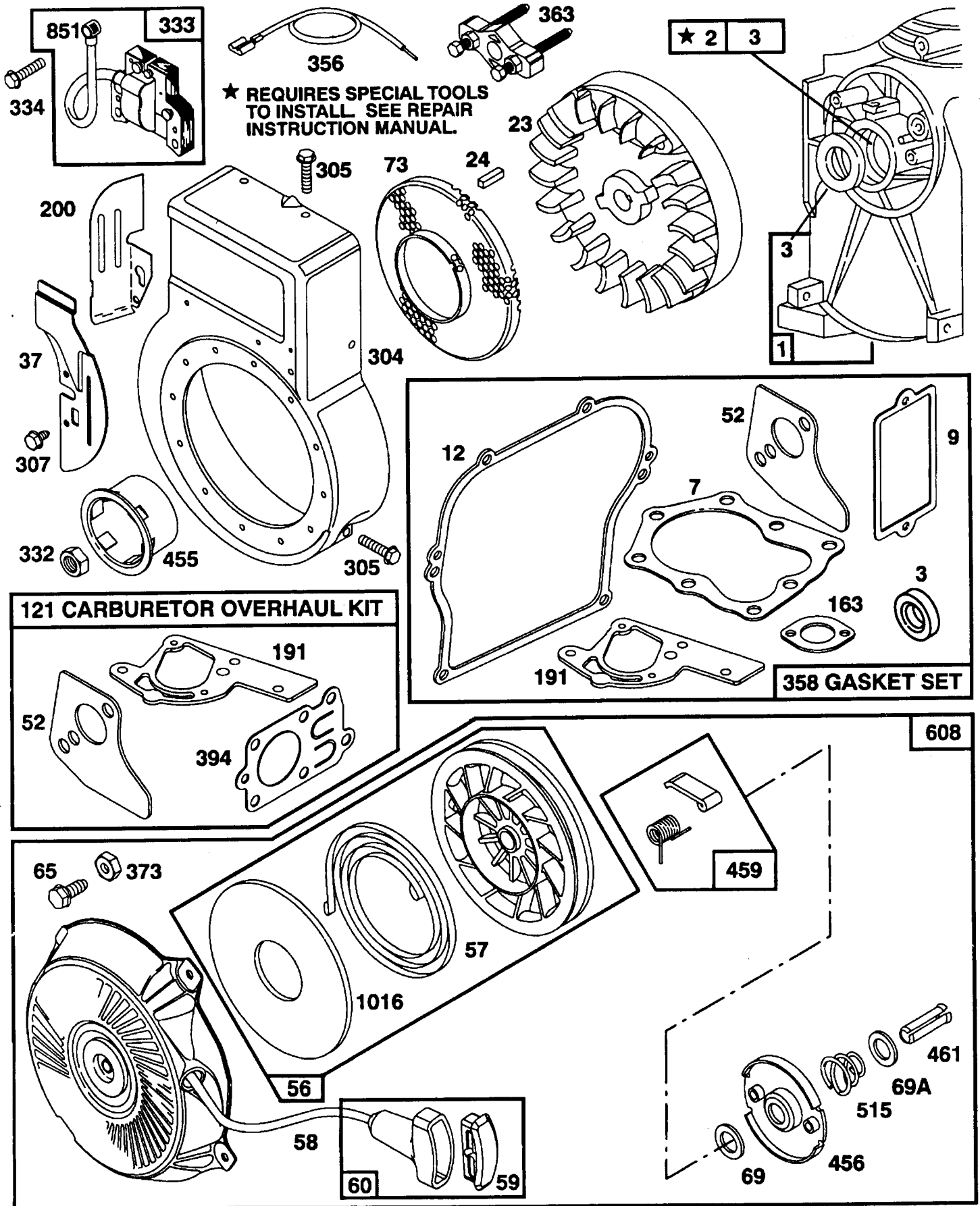
BRIGGS & STRATTON ENGINE - - MODEL NUMBER 135202, TYPE NO. 0119-01



REPAIR PARTS

5 HP 26" TILLER -- MODEL NUMBER 917.296350

BRIGGS & STRATTON ENGINE -- MODEL NUMBER 135202, TYPE NO. 0119-01



REPAIR PARTS

5 HP 26" TILLER - - MODEL NUMBER 917.296350

BRIGGS & STRATTON ENGINE - - MODEL NUMBER 135202, TYPE NO. 0119-01

KEY PART NO. NO.	DESCRIPTION	KEY PART NO. NO.	DESCRIPTION
1 395990	Cylinder Assembly	40 93312	Retainer, Intake Valve and Exhaust Spring
2 297565	Bushing, Cylinder	45 260642	Tappet, Valve
3 299819	* Seal, Oil	46 212733	Gear, Cam
5 214040	Head, Cylinder	52 271936	*** Gasket, Carburetor Mounting (2)
7 272157	* Gasket, Cylinder Head	55 494846	Housing, Rewind Starter
8 495774	Breather Assembly	56 493824	Pulley, Rewind Starter
9 27549	* Gasket, Valve Cover	57 262594	Spring, Rewind Starter
10 94621	Screw, Breather Mounting	58 280406	Rope, Rewind Starter (Cut to Required Length)
11 66578	Grommet, Breather Tube	59 396892	Insert, Starter Handle
12 270080	* Gasket, Crankcase, Standard .015"	60 393152	Handle, Rewind Starter
270125	* Gasket, Crankcase .005" Thick	65 94686	Screw, Housing Mounting
270126	* Gasket, Crankcase .009" Thick	69 280973	Washer
13 94221	Screw, Cylinder Head 2-3/32"	69A 224322	Washer
14 94679	Screw, Cylinder Head 2-15/32"	73 224632	Screen, Rotating
15 93448	Plug, Pipe, Hex Socket	81 222263	Lock, Screw
94387	Plug, Oil Drain	90 495426	Carburetor Assembly
16 492088	Crankshaft	95 93499	Screw, Throttle Valve to Shaft
230978	Gear Pin, Crankshaft	96 223793	Throttle, Carburetor
18 297602	Cover Assembly, Crankcase	97 490048	Shaft and Lever, Throttle
19 495660	Bushing, Crankcase Cover	108 491177	Valve and Shaft Group, Choke
20 294606	* Seal, Oil	118 231533	Valve, Needle
21 66768	Plug, Oil Filler	121 495606	Carburetor Overhaul Kit
22 94682	Screw, Cover Mounting	124 94616	Screw, Hex Head
23 297229	Flywheel, Magneto	127 220352	Plug, Welch
24 222698	Key, Flywheel	127A 223789	Plug, Welch
25 298904	Piston Assembly, Standard Size	149 26336	Spring, Needle Valve
298905	Piston Assembly .010" Oversize	152 260575	Spring, Throttle Adjustment
298906	Piston Assembly .020" Oversize	153 490589	Screw and Collar
298907	Piston Assembly .030" Oversize	154 93527	Screw, Machine, Round Head
26 298982	Ring Set, Piston, Standard Size	163 271935	* Gasket, Air Cleaner Mounting
299742	Ring Set, Piston, Standard, Chrome	180 495405	Tank Assembly, Fuel
298983	Ring Set, Piston .010" Oversize	181 494559	Cap, Fuel Tank
298984	Ring Set, Piston .020" Oversize	190 94712	Screw, Fuel Tank
298985	Ring Set, Piston .030" Oversize	190A 94677	Screw, Fuel Tank Mounting 1-3/4"
27 26026	Lock, Piston Pin	191 272489	*** Gasket, Fuel Tank to Carburetor
28 298909	Pin Assembly, Piston, Standard	200 223886	Guide, Air
298908	Pin Assembly, Piston .005" Over	202 262270	Link, Throttle
29 299430	Rod Assembly, Connecting	203 280720	Bell Crank
390459	Rod Assembly, Connecting .020" Undersize Crankpin Bore		
30 221890	Dipper, Connecting Rod		
32 94745	Screw, Connecting Rod		
33 211119	Valve, Exhaust		
34 261044	Valve, Intake		
35 260552	Spring, Intake Valve		
36 26478	Spring, Exhaust Valve		
37 222443	Guard, Flywheel		

* Included in Gasket Set (495603)
 ** Included in Carburetor Overhaul Kit (495606)
 *** Included in both Gasket Set (495603), and Carburetor Overhaul Kit (495606)

NOTE: All component dimensions given in U.S. inches
 1 inch = 25.4 mm

REPAIR PARTS

5 HP 26" TILLER -- MODEL NUMBER 917.296350

BRIGGS & STRATTON ENGINE -- MODEL NUMBER 135202, TYPE NO. 0119-01

KEY PART NO.	PART NO.	DESCRIPTION	KEY PART NO.	PART NO.	DESCRIPTION
204	222962	Bushing, Governor Lever, Flat	528	231550	Tube, Breather
205	231520	Screw, Shoulder	529	67838	Grommet, Breather Tube
208	262279	Rod, Speed Control	542	93572	Screw
209	262283	Spring, Governor	552	231079	Bushing, Governor Crank
216	262359	Link, Choke	562	92613	Bolt, Governor Lever
219	494845	Gear, Governor	592	231082	Nut, Hex
220	221551	Washer, Thrust	608	495766	Starter Assembly, Rewind
222	490649	Panel, Control	611	391813	Fuel Pipe and Clip Assembly
223	223455	Lever, Governor Control	613	93935	Screw, Hex Head, Shoulder
224	93491	Rivet, Governor Control Lever Mounting	614	93306	Pin, Cotter
227	490374	Lever Assembly, Governor	615	93307	Retainer, E-Ring
230	222450	Washer, Governor Lever	616	231077	Crank, Governor
256	223813	Crank, Bell	621	396847	Switch, Stop
257	93543	Screw, Sems, Hex Head	634	271853	Washer, Throttle Shaft, Foam
300	393615	Muffler, Exhaust	635	66538	Elbow, Spark Plug
304	495759	Housing, Blower	676	393757	Deflector, Exhaust, Side Outlet
305	94619	Screw, Blower Housing Mounting	679	270382	Washer, Foam
306	221511	Shield, Cylinder	680	221839	Washer, Brass
307	94680	Screw, Cylinder Shield	741	261696	Gear, Timing
308	224738	Cover, Cylinder Head	779	262570	Link, Speed Control
332	92284	Nut, Flywheel	851	221798	Cable Terminal, Ignition
333	397358	Armature Group	869	211787	Seat, Intake Valve, Standard
334	93414	Screw, Armature Mounting	870	211172	Seat, Exhaust Valve, Standard
337	802592	Plug, Spark	871	262001	Guide, Exhaust Valve
346	93705	Screw, Sems		63709	Guide, Intake Valve
356	398808	Wire, Ground	916	280321	Rack, Gear Control
358	495603	Gasket Set	966	492797	Base, Air Cleaner
363	19069	Flywheel Puller	967	491588	Filter, Air Cleaner
373	92987	Nut, Hex	968	495357	Cover, Air Cleaner
383	89838	Wrench, Spark Plug	969	490073	Screw, Air Cleaner
392	262328	Spring, Fuel Pump Diaphragm	971	94018	Screw, Hex Head
394	272538	** Diaphragm	987	398970	Seal, Throttle Shaft
414	220982	Washer	995	223887	Lever, Bracket Assembly
432	221377	Cap, Spring	1012	490507	Retainer, Link
433	93265	Pin, Diaphragm Cover	1016	224278	Spacer
434	214021	Cover, Diaphragm			
435	93141	Screw, Diaphragm Cover			
455	224250	Cup, Starter			
456	224321	Retainer			
459	492833	Pawl, Starter			
461	262626	Pin, Spring			
467	280715	Knob, Control			
515	262625	Spring			
526	94659	Screw, Sems, Tank Bracket Mount.			
527	223786	Clamp, Breather Tube			

RPM Settings: Low Speed: 1750-1950
High Speed: 3400-3600

- * Included in Gasket Set (495603)
- ** Included in Carburetor Overhaul Kit (495606)
- *** Included in both Gasket Set (495603), and Carburetor Overhaul Kit (495606)

NOTE: All component dimensions given in U.S. inches
1 inch = 25.4 mm