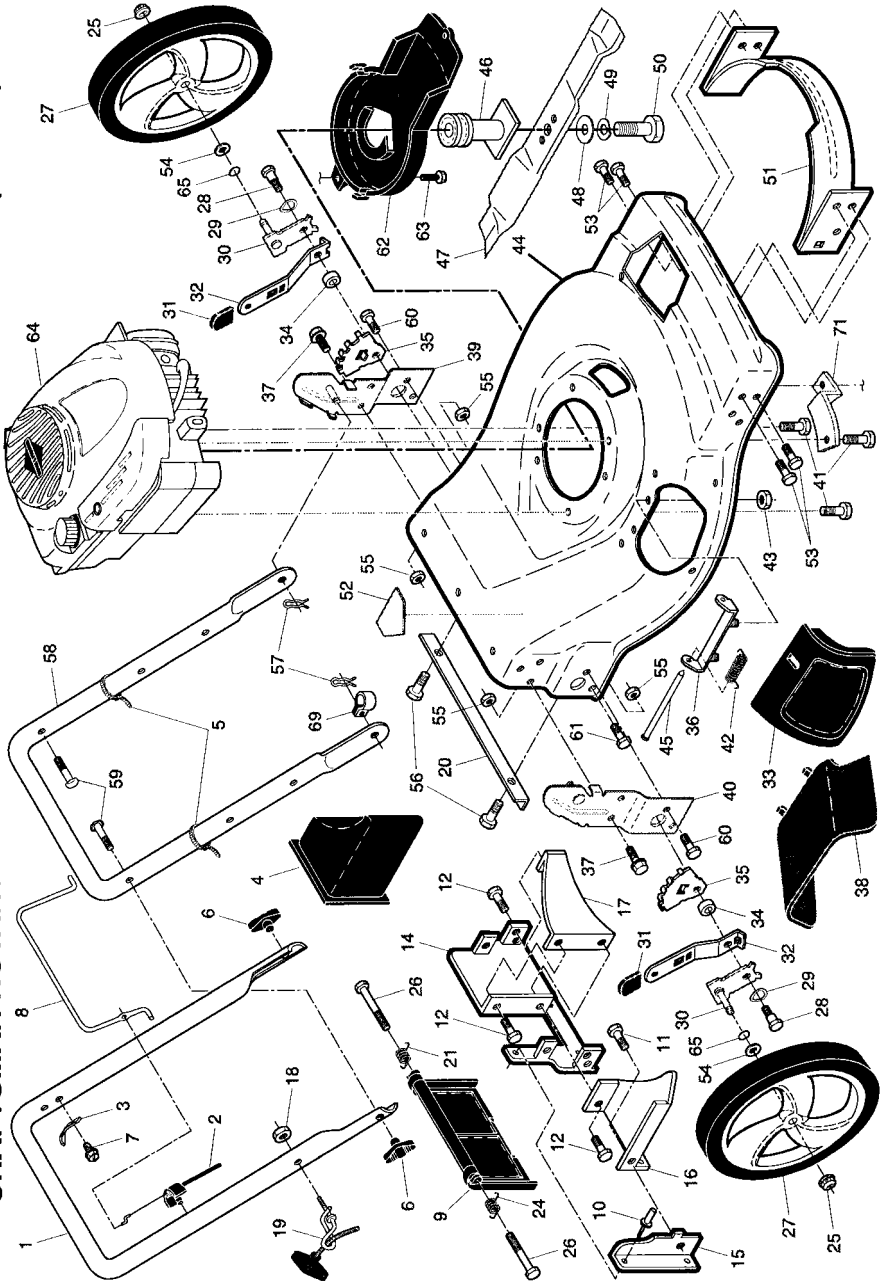


REPAIR PARTS MANUAL
MODEL NUMBER 253410
Rotary Lawn Mower

6,75 4H B&S 22" Forhjulstrek 2008

CRAFTSMAN®

CRAFTSMAN ROTARY LAWN MOWER -- MODEL NUMBER 25341 (253410)



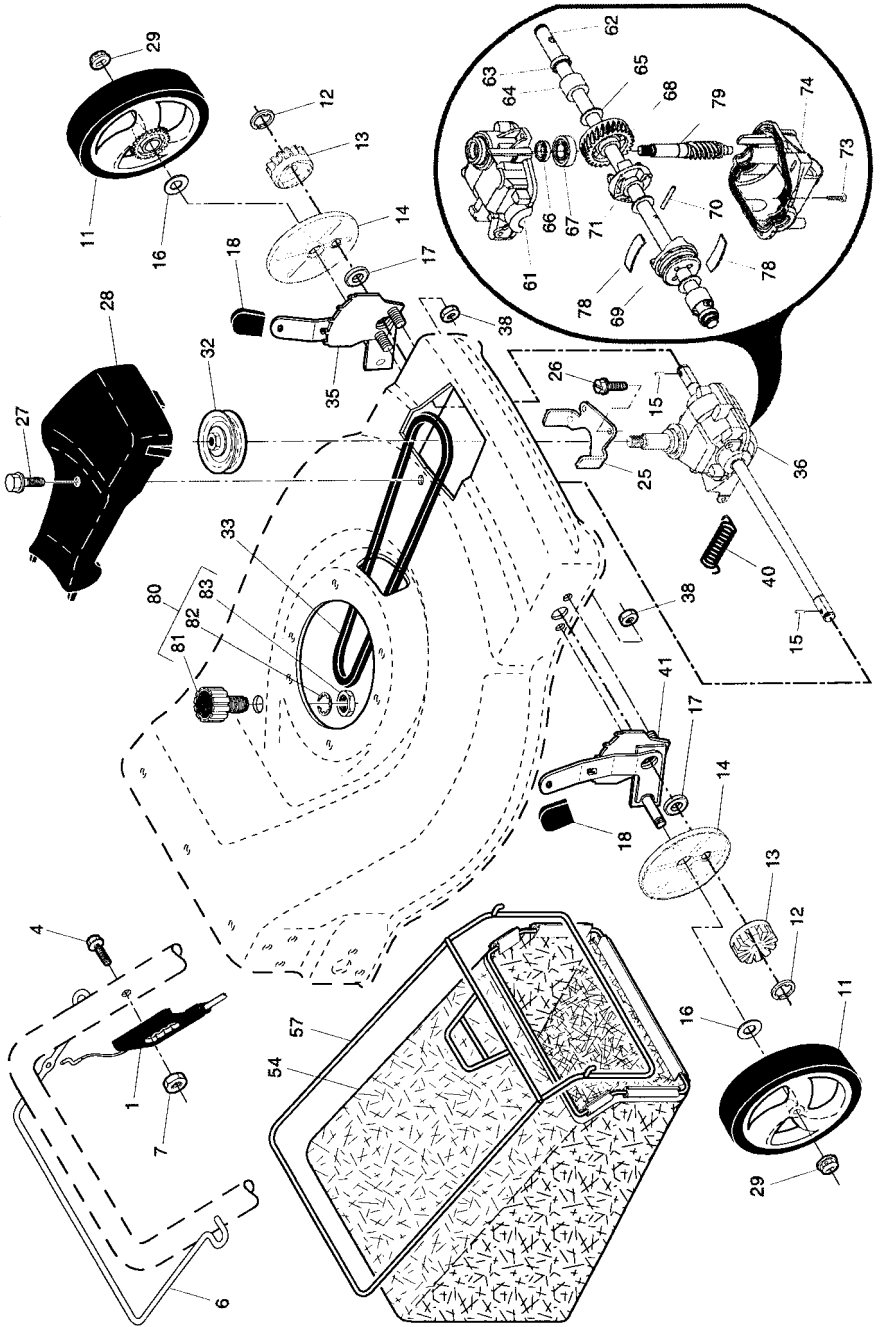
CRAFTSMAN ROTARY LAWN MOWER - - MODEL NUMBER 25341 (253410)

KEY NO.	PART NO.	DESCRIPTION	KEY NO.	PART NO.	DESCRIPTION	KEY NO.	PART NO.	DESCRIPTION
1	194203X479	Upper Handle	30	401180X479	Axle Arm Assembly	53	17600406	Screw, Serrated, Type TT 1/4-20
2	183567	Engine Zone Control Cable	31	701037	Selector Knob	54	883348	Washer, Flat
3	850733X004	Bracket, Upstop	32	401626X004	Selector Spring	55	751592	Locknut, Hex 3/8-16
4	166649	Mulcher Plug	33	189917X428	Mulcher Door	56	146694	Hinge Screw 1/4-20 x 1-1/4
5	66426	Wire Tie	34	401629	Spacer	57	51793	Hairpin Cotter
6	189713X428	Handle Knob	35	700325X005	Wheel Adjusting Bracket	58	151590X479	Lower Handle
7	750634	Handle Knob	36	175735	Hinge Bracket Assembly	59	191574	Handle Bolt
8	194199X428	Control Bar	37	150078	Screw, Sems, Thread Cutting 5/16-18 x 3/4	60	74760612	Bolt, Hex Head 3/8-16 x 3/4
9	401813X428	Rear Door Assembly	38	402574X428	Discharge Deflector	61	88652	Screw, Hinge 1/4-20 x 1-1/4
10	128415	Pop Rivet	39	195915X479	Handle Bracket Assembly, LH	62	405842	Debris Shield
11	150050	Screw, Self-Tapping #10-24 x 5/8	40	195914X479	Handle Bracket Assembly, RH	63	192325	Screw, Debris Shield
12	54583	Screw, Hex Hex Head, Sems 1/4-20 x 1/2	41	150406	Screw, Hex Head, Threaded, Rolled 3/8-16 x 1-1/8	64	---	Engine, Briggs & Stratton, Model Number 126T02 (order parts from engine manufacturer)
14	195790X479	Back Plate	42	193000	Spring, Torsion	65	197480	O-Ring
15	410545X479	Side Baffle	43	73800400	Nut, Hex, Nylock	69	197991	Clip, Cable
16	176655X479	Discharge Baffle	44	420279	Kit, Housing (Includes Key Numbers 14, 15 and 51)	71	188839X004	Mounting Bracket, Debris Shield
17	140661X479	Rear Baffle	45	175650	Rod, hinge	--	182191	Warning Decal (Not Shown)
18	132004	Keps Locknut 1/4-20	46	194037	Blade Adapter / Pulley	--	420275	Operator's Manual, European
19	194788	Rope Guide	47	199379	Blade, 22"	--	420274	Operator's Manual, Scandinavian
20	146143X479	Foot Guard	48	851074	Washer, Hardened	--	420276	Operator's Manual, East Bloc
21	405421	Spring, Rear Door, LH	49	850263	Washer, Helical	--	420277	Operator's Manual, Baltic
24	405423	Spring, Rear Door, RH	50	851084	Screw, Machine, Hex Head 3/8-24 x 1-3/8 Grade 8	--	420278	Repair Parts Manual, English
25	409149	Nut, Hex, Flanged	51	170491	Baffle, Front	Available accessories not included with mower:		
26	184193	Bolt, Rear Door	52	182166	Danger Decal	--	71 33623	Gas Can (2.5 Gallon Container)
27	407773X427	Wheel & Tire Assembly, Rear				--	71 33500	Fuel Stabilizer
28	142748	Bolt, Shoulder 3/8-16 x 1				--	71 33000	SAE 30W Oil (20 Ounce Bottle)
29	401630	Washer, Curved, Cylindrical						

NOTE: All component dimensions given in U.S. inches. 1 inch = 25.4 mm.

IMPORTANT: Use only Original Equipment Manufacturer (O.E.M.) replacement parts. Failure to do so could be hazardous, damage your lawn mower and void your warranty.

CRAFTSMAN ROTARY LAWN MOWER -- MODEL NUMBER 25341 (253410)



CRAFTSMAN ROTARY LAWN MOWER - - MODEL NUMBER 25341 (253410)

KEY NO.	PART NO.	DESCRIPTION	KEY NO.	PART NO.	DESCRIPTION
1	407816	Drive Control Assembly (Includes Cable)	40	406558	Spring
4	199687	Screw	41	408861	Kit, Wheel Adjuster, RH (Includes Knob and Bearing)
6	194185X615	Bar, Drive Control	54	408899	Grassbag Assembly
7	191730	Nut, Hex	57	411952	Frame, Grassbag
11	407755X427	Wheel & Tire Assembly, Front	61	410726	Case, Upper
12	12000058	E-Ring	62	410728	Shaft, Output
13	403849	Pinion	63	183508	Seal, Output Shaft
14	189403	Dust Cover	64	183511	Bushing
15	404845	Pawl, Drive	65	183509	Washer
16	67725	Washer, Flat 3/8	66	183514	Seal, Worm Shaft
17	191039	Bearing, Wheel Adjuster	67	183506	Bearing, Ball
18	701037	Selector Knob	68	410729	Gear, 28 Teeth
25	404843X004	Belt Keeper	69	410732	Fixed Dog Clutch
26	163409	Screw, Hi-Lo Thread	70	410733	Pin
27	175262	Pan Head Tapping Screw #10-24 x 2-3/4	71	410730	Movable Dog Clutch
28	194407X428	Drive Cover	73	183513	Screw, Case
29	409148	Locknut, Hex	74	410734	Case, Lower
32	194018	Pulley, Drive	78	410731	Spring, Leaf
33	196857	V-Belt	79	410727	Shaft, Worm
35	408862	Kit, Wheel Adjuster, LH (Includes Knob and Bearing)	80	415086	Water Washout Assembly
36	404834	Gear Case Assembly, Complete	81	417961	Fitting, Hose, Water Washout
38	73800400	Locknut 1/4-20	82	415585	Washer, Lock, Internal Tooth
			83	415586	Locknut, Hex, with O-Ring

NOTE: All component dimensions given in U.S. inches. 1 inch = 25.4 mm.

IMPORTANT: Use only Original Equipment Manufacturer (O.E.M.) replacement parts. Failure to do so could be hazardous, damage your lawn mower and void your warranty.

SERVICE NOTES

SERVICE NOTES

LIMITED 2-YEAR WARRANTY ON CRAFTSMAN POWER MOWER

When used and maintained according to the operator's manual instructions, if this power mower fails due to a defect in material or workmanship within two years from the date of purchase, return it to any Sears store, Parts & Repair Center, or other Craftsman outlet for free repair.

Warranty coverage does not include:

- Expendable items that become worn during normal use, including but not limited to blade, blade adapters, spark plug, air cleaner and belts.
- Standard maintenance servicing, oil changes, or tune-ups.
- Repairs necessary because of operator abuse, including but not limited to damage caused by impacting objects that bend the frame or crankshaft, or over-speeding the engine.
- Repairs necessary because of operator negligence, including but not limited to damage caused by improper storage, or failure to maintain the equipment according to the instructions contained in the operator's manual.
- Engine (fuel system) cleaning or repairs necessary because of fuel determined to be contaminated or oxidized (stale). In general, fuel should be used within 30 days of its purchase date.
- Normal deterioration and wear of the exterior finishes, or product label replacement.

This warranty applies for only 90 days if this product is used for commercial or rental purposes.

This warranty applies only while this product is within the United States.

This warranty gives you specific legal rights, and you may also have other rights, which vary, from state to state.

Sears, Roebuck and Co., Dept. 817WA, Hoffman Estates, IL 60179

The logo features the word "CRAFTSMAN" in a bold, black, sans-serif font. A registered trademark symbol (®) is positioned at the top right of the letter "N". The text is enclosed within a thick, black rectangular border.