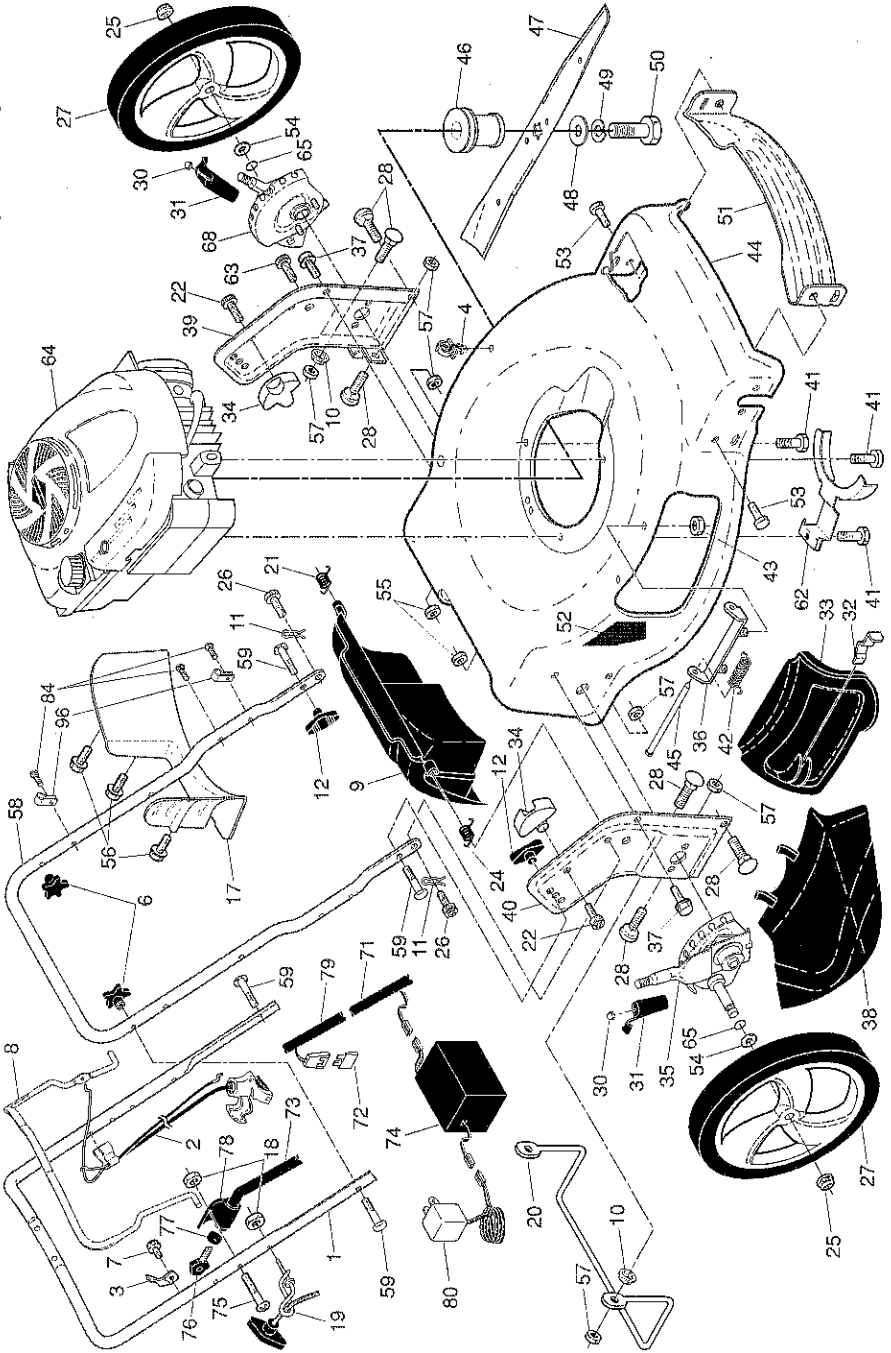


REPAIR PARTS MANUAL
MODEL NUMBER 254470
Rotary Lawn Mower

CRAFTSMAN[®]

CRAFTSMAN ROTARY LAWN MOWER -- MODEL NUMBER 25447 (254470)



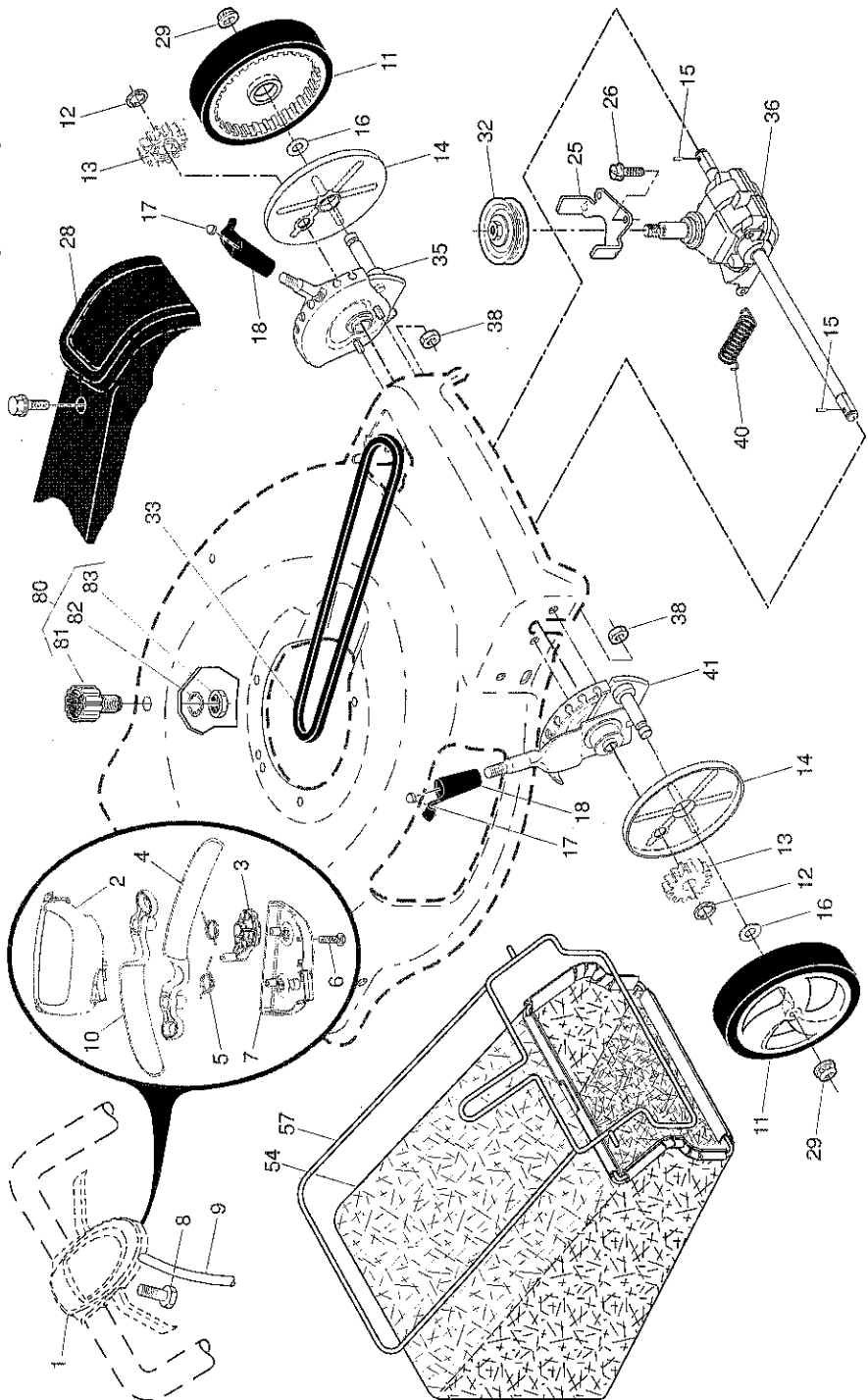
CRAFTSMAN ROTARY LAWN MOWER -- MODEL NUMBER 25447 (254470)

KEY NO.	PART NO.	DESCRIPTION	KEY NO.	PART NO.	DESCRIPTION	KEY NO.	PART NO.	DESCRIPTION
1	183471X479	Upper Handle	64	---	Engine, Briggs & Stratton, Model No. 126T05-0400-B1 (order parts from B&S)	64	---	Engine, Briggs & Stratton, Model No. 126T05-0400-B1 (order parts from B&S)
2	429639	Cable, Engine / Rear Door Prop	36	175735	Hinge Bracket Assembly	65	197480	O-Ring
3	429930X004	Bracket, Upstop	37	428867	Screw, Hex Washer Head 5/16-18 x 3/4	68	431134	Kit, Wheel Adjust, Rear, LH (Includes Knob & Pushnut)
4	145006	Guide, Cable	38	419942X428	Discharge Deflector	71	194847	Wiring Harness, Housing
5	66426	Wire Tie	39	429583X479	Handle Bracket, LH	72	425937	Fuse, 40 Amp
6	182398	Handle Knob, Star	40	429584X479	Handle Bracket, RH	73	422115	Wiring Harness,
7	750634	Screw #10-24 x 1/2	41	150406	Bolt, Engine	74	431290	Keyswitch Housing
8	426432X428	Control Bar	42	193000	Spring, Torsion	75	186159	Battery
9	430655	Rear Door Assembly	43	191730	Nut, Hex, Flanged 1/4-20	76	180331	Screw
10	423063	Painut	44	431779	Kit, Mower Housing	77	194848	Key
11	425575	Hairpin, Door/Handle Pivot	45	175650	Rod, Hinge	78	429800	Nut, Cap
12	189713X428	Handle Knob, Standard	46	421782	Blade Adapter / Pulley	79	431009	Key Switch (Includes Key)
17	427120X428	Rear Baffle	47	422706	Blade, 22"	80	192436	Wiring Harness, Battery
18	132004	Keys Locknut 1/4-20	48	851074	Washer, Hardened	84	428124	Charger, Battery
19	194788	Rope Guide	49	850263	Washer, Helical	96	197991	Fastener, Push
20	422467	Foot Guard	50	851084	Screw, Machine, Hex Head 3/8-24 x 1-3/8 Grade 8	97	182003	Clip, Calbe
21	419949	Spring, Rear Door, LH, Black	51	430599	Front Baffle	99	427171	Operator's Manual, European
22	141841	Screw, Panhead, Torx #20	52	182166	Decal, Danger	--	427173	Operator's Manual,
24	419948	Spring, Rear Door, RH, Grey	53	17000510	Screw 1/4-20 x 1/2	--	---	Scandinavian
25	409149	Nut, Hex, Flanged	54	88348	Washer, Flat	--	---	Operator's Manual, East Bloc
26	419945	Screw, Rear Door/Handle Pivot	55	191730	Nut, Hex	--	---	Operator's Manual, Baltic
27	431880X460	Wheel & Tire Assembly, Rear	56	17411312	Screw, Hex Washer Head #13 x 3/4	--	---	Repair Parts Manual
28	72250505	Bolt, Carriage 5/16-18 x 5/8	57	155377	Nut, Hex	Available	---	Gas Can (2.5 Gallons)
30	413808	Nut, Push	58	421241X479	Lower Handle	--	---	Fuel Stabilizer
31	419407X615	Selector Knob	59	191574	Handle Bolt	--	---	SAE 30W Oil (20 Ounces)
32	419944	Latch, Mulcher Door	62	431913X004	Belt Keeper	--	---	
33	423358	Mulcher Door	63	178848	Screw #10-16 x 5/8	--	---	
34	419946X615	Pivot Bracket						
35	431131	Kit, Wheel Adjuster, Rear, RH (Includes Red Knob & Pushnut)						

NOTE: All component dimensions given in U.S. inches. 1 inch = 25.4 mm.

IMPORTANT: Use only Original Equipment Manufacturer (O.E.M.) replacement parts. Failure to do so could be hazardous, damage your lawn mower and void your warranty.

CRAFTSMAN ROTARY LAWN MOWER -- MODEL NUMBER 25447 (254470)



CRAFTSMAN ROTARY LAWN MOWER - - MODEL NUMBER 25447 (254470)

KEY NO.	PART NO.	DESCRIPTION	KEY NO.	PART NO.	DESCRIPTION
1	427433	Drive Control Assembly (Includes Cable)	26	163409	Screw, Hi-Lo Thread #12 x 5/8
2	424630	Cover, Top	28	435273	Drive Cover Assembly (Includes Mounting Screw and Pushnut)
3	420378	Cam	29	409148	Locknut, Hex
4	421537X615	Lever, Drive Control, LH	32	194018	Drive Pulley
5	420381	Spring, Return	33	426609	V-Belt
6	181698	Screw	35	431124	Kit, Wheel Adjuster, Front, LH (Includes Red Knob and Pushnut)
7	420377X428	Cover, Bottom	36	424657	Gear Case Assembly, Complete
8	178848	Screw	38	191730	Locknut, Hex 1/4-20
9	427426	Cable, Drive	40	406558	Spring
10	421538X615	Lever, Drive Control, RH	41	431121	Kit, Wheel Adjuster, Front, RH (Includes Red Knob and Pushnut)
11	194231X460	Wheel & Tire Assembly, Front	54	422507	Grassbag
12	12000058	E-Ring	57	419951	Frame, Grassbag
13	403849	Pinion	80	421114	Kit, Water Washout Assembly (Includes Key Numbers 81 thru 83)
14	189403	Dust Cover	81	419735	Fitting, Water Washout
15	404845	Pawl, Drive	82	415585	Washer, Lock, Internal Tooth
16	67725	Washer, Flat 3/8	83	415586	Locknut, Hex, with O-Ring
17	413808	Nut, Push			
18	419345X615	Selector Knob			
25	430458X004	Belt Guide Bracket			

NOTE: All component dimensions given in U.S. inches. 1 inch = 25.4 mm.

IMPORTANT: Use only Original Equipment Manufacturer (O.E.M.) replacement parts. Failure to do so could be hazardous, damage your lawn mower and void your warranty.

SERVICE NOTES

SERVICE NOTES

LIMITED 2-YEAR WARRANTY ON CRAFTSMAN POWER MOWER

When used and maintained according to the operator's manual instructions, if this power mower fails due to a defect in material or workmanship within two years from the date of purchase, return it to any Sears store, Parts & Repair Center, or other Craftsman outlet for free repair.

Warranty coverage does not include:

- Expendable items that become worn during normal use, including but not limited to blade, blade adapters, spark plug, air cleaner and belts.
- Standard maintenance servicing, oil changes, or tune-ups.
- Repairs necessary because of operator abuse, including but not limited to damage caused by impacting objects that bend the frame or crankshaft, or over-speeding the engine.
- Repairs necessary because of operator negligence, including but not limited to damage caused by improper storage, or failure to maintain the equipment according to the instructions contained in the operator's manual.
- Engine (fuel system) cleaning or repairs necessary because of fuel determined to be contaminated or oxidized (stale). In general, fuel should be used within 30 days of its purchase date.
- Normal deterioration and wear of the exterior finishes, or product label replacement.

This warranty applies for only 90 days if this product is used for commercial or rental purposes.

This warranty applies only while this product is within the United States.

This warranty gives you specific legal rights, and you may also have other rights, which vary, from state to state.

Sears, Roebuck and Co., Dept. 817WA, Hoffman Estates, IL 60179

CRAFTSMAN®