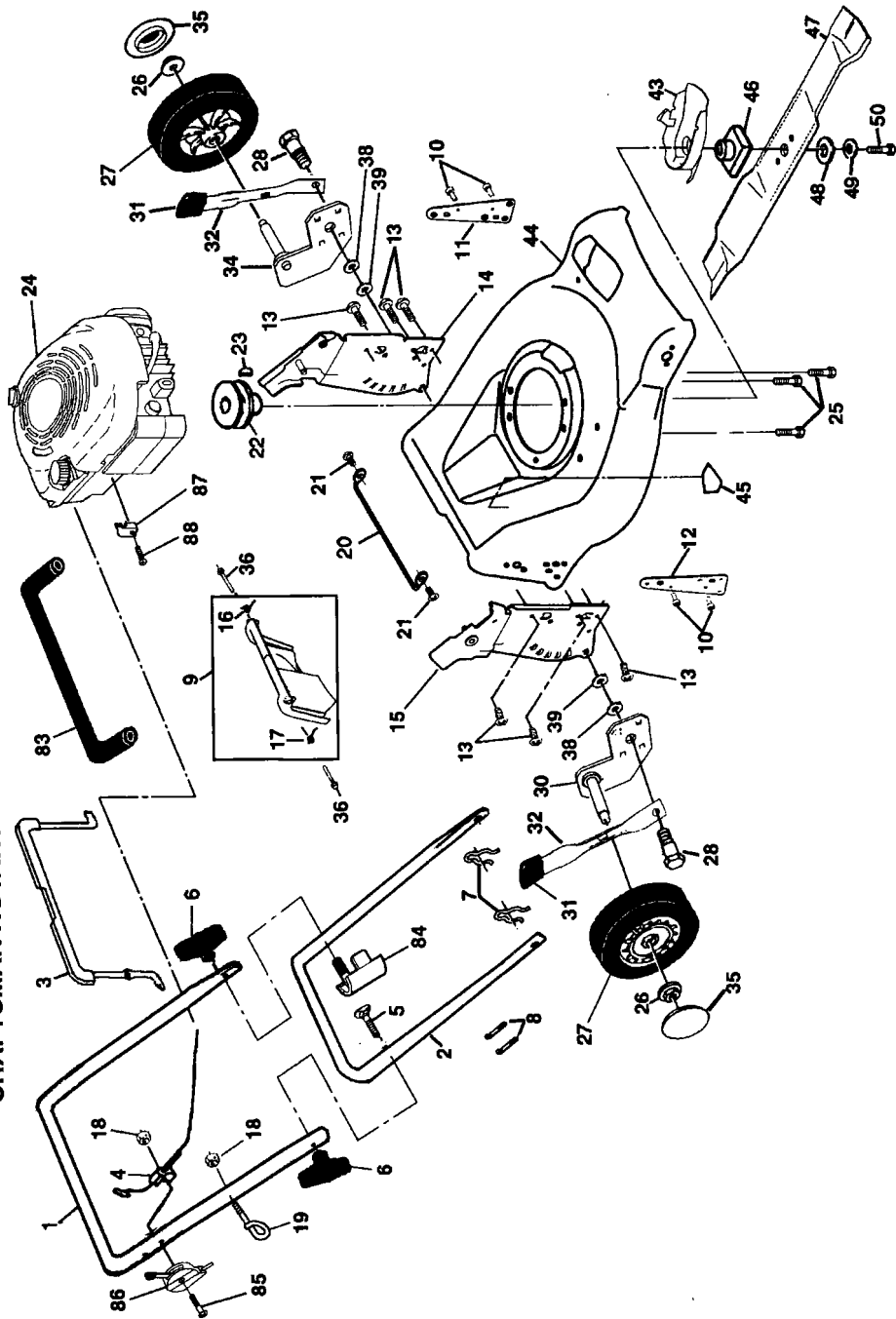


REPAIR PARTS MANUAL
MODEL NO. 371010
Rotary Lawn Mower

ERIK 2002

CRAFTSMAN®

CRAFTSMAN ROTARY LAWN MOWER - - MODEL NUMBER 917.371010

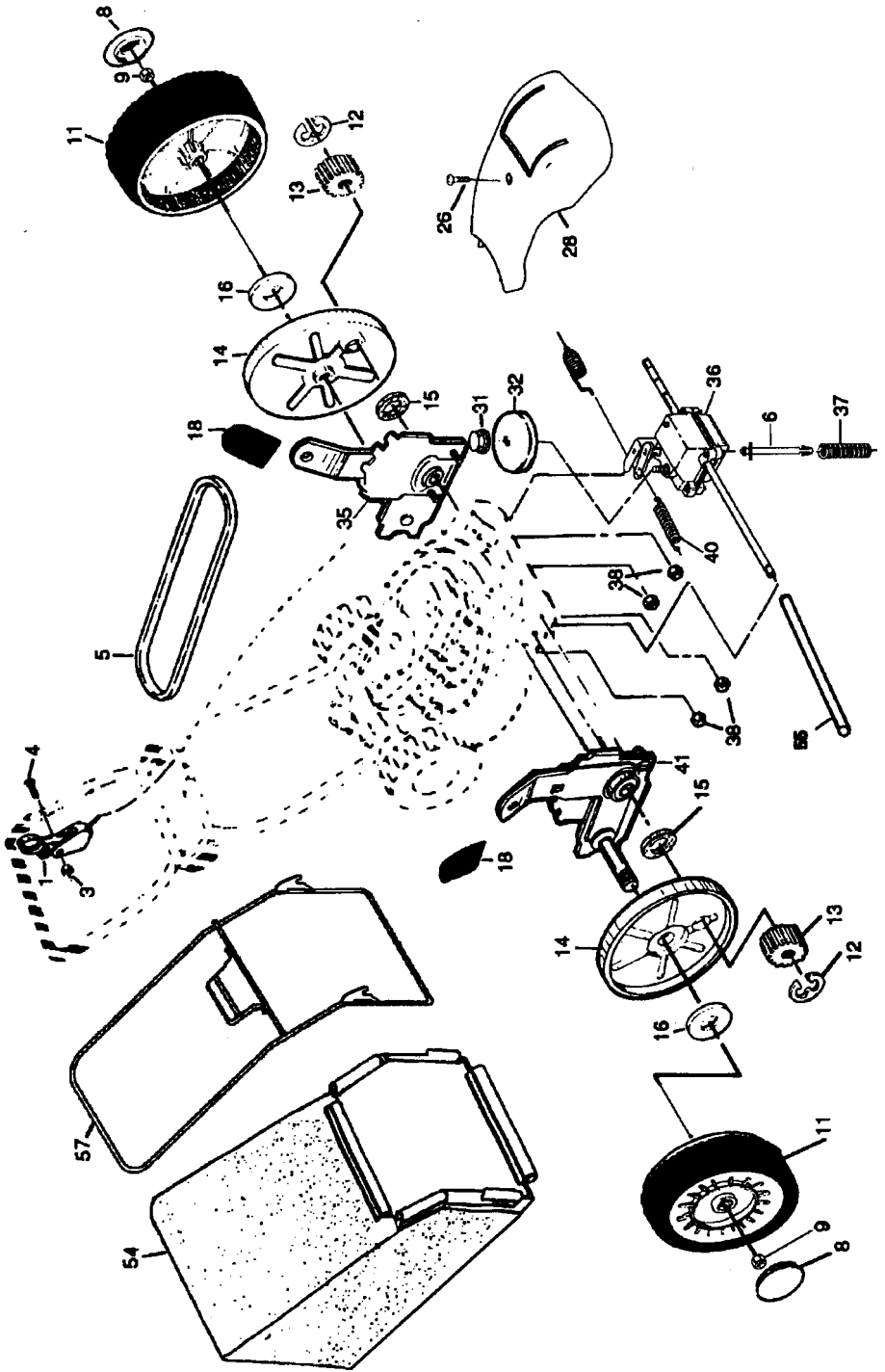


CRAFTSMAN ROTARY LAWN MOWER -- MODEL NUMBER 917.371010

KEY PART NO. NO.	DESCRIPTION	KEY PART NO. NO.	DESCRIPTION
1	181472	30	165761X004
2	151721X479	31	701037
3	180955	32	175060X004
4	133107	34	165762X004
5	131959	35	180625
6	136376	36	165912
7	51793	38	176185
8	66426	39	176235
9	180479	43	175083
10	128415	44	182588
11	175069X479	45	182166
12	175070X479	46	180069
13	17060410	47	175052
14	175082X479	48	851074
15	175081X479	49	850263
16	180071	50	851084
17	180072	83	184285
18	132004	84	165108
19	179585	85	144929
20	179205	86	182156
21	54583	87	111190X
22	84596	88	83816
23	87677	- -	182134
24	- - -	- -	182589
25	150406	- -	182590
26	83923	- -	182591
27	150341		
28	175231		

NOTE: All component dimensions given in U.S. inches.
1 Inch = 25.4 mm

CRAFTSMAN ROTARY LAWN MOWER -- MODEL NUMBER 917.371010

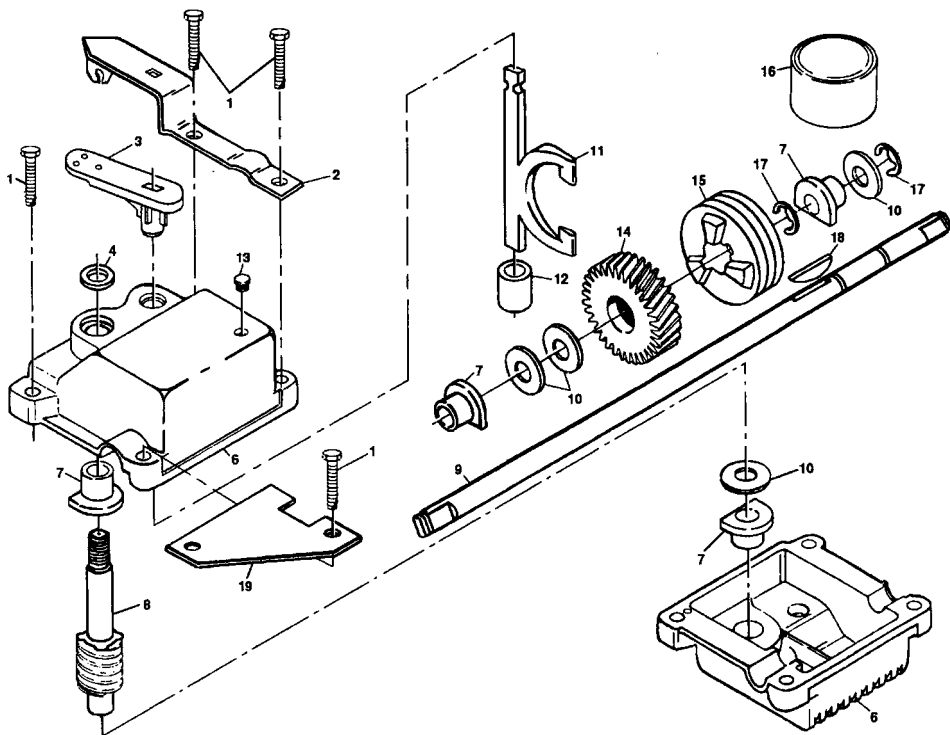


CRAFTSMAN ROTARY LAWN MOWER - - MODEL NUMBER 917.371010

KEY PART NO. NO.	DESCRIPTION	KEY PART NO. NO.	DESCRIPTION
1	179681	28	178843
3	751152	31	132010
4	158755	32	137052
5	175436	35	151521
6	150495	36	175258
8	180625	37	137090
9	145212	38	63601
11	180775	40	75192
12	12000058	41	151520
13	137054	54	182592
14	180504	55	175739
15	88118	57	175058
16	67725		
18	701037		
26	175262		
	Control Cable Assembly		Drive Cover
	Locknut #10-24		Hex Flange Nut
	Hex Washer Head Screw 1/4-20 x 2.12		Drive Pulley
	V-Belt		Wheel Adjuster Assembly (Left)
	Spring Retainer		Gear Case Assembly
	Hubcap		Spring
	Locknut		Locknut 1/4-20
	Wheel & Tire Assembly		Spring
	E-Flng		Wheel Adjuster Assembly (Right)
	Pinion		Grassbag Assembly
	Dust Cover		Driveshaft Cover
	Felt Washer		Frame
	Washer 1/2 x 1-1/2 x .134		
	Selector Knob		
	Pan Head Tapping Screw #10-24 x 2-3/4		

NOTE: All component dimensions given in U.S. inches.
1 inch = 25.4 mm

**CRAFTSMAN ROTARY LAWN MOWER -- MODEL NUMBER 917.371010
GEAR CASE ASSEMBLY -- PART NUMBER 176293**



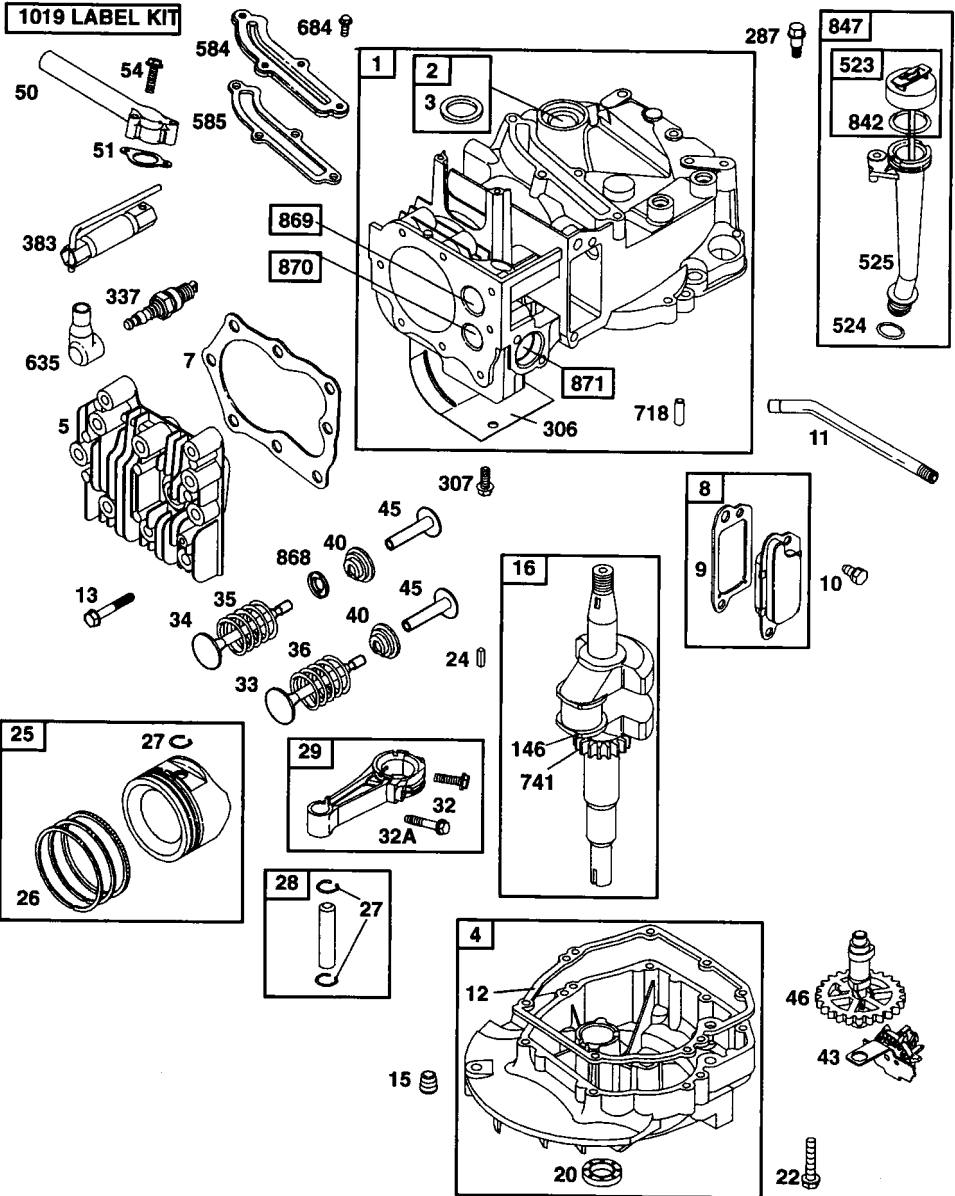
**KEY PART
NO. NO.**

1	17490416
2	175248X004
3	137053
4	57072
6	48373
7	77881
8	137051
9	175257
10	57079
11	131484
12	700343
13	86447
14	137050
15	750436X
16	750369
17	12000003
18	850848
19	81585X004

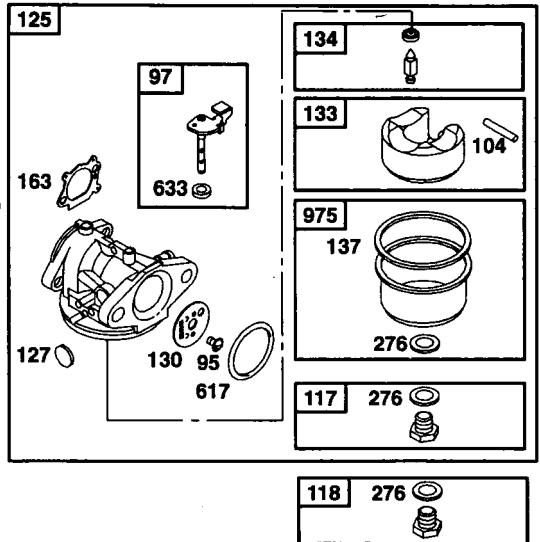
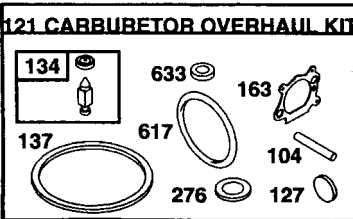
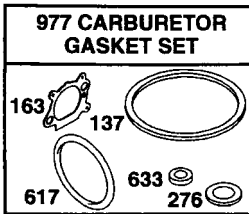
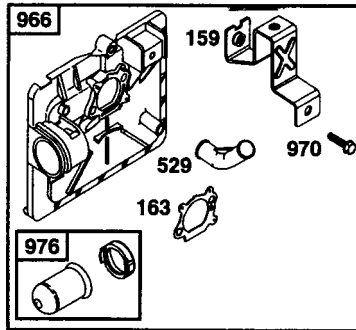
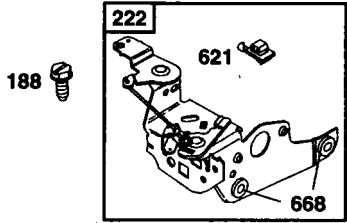
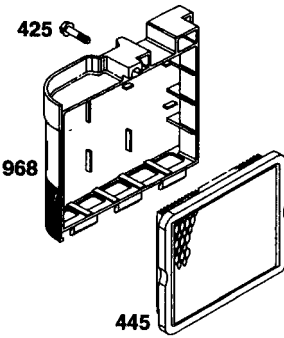
DESCRIPTION

Tapping Screw 1/4-20 x 1-1/4
Engagement Bracket
Shifter
Seal
Gear Case Halves Kit (Includes Key Numbers 4 and 7)
Bearing
Worm Shaft
Drive Shaft
Hardened Washer
Clutch Yoke
Bushing
Plug
Helical Gear
Clutch Jaw
Grease
E-Ring
Hi-Pro Key
Spring Bracket

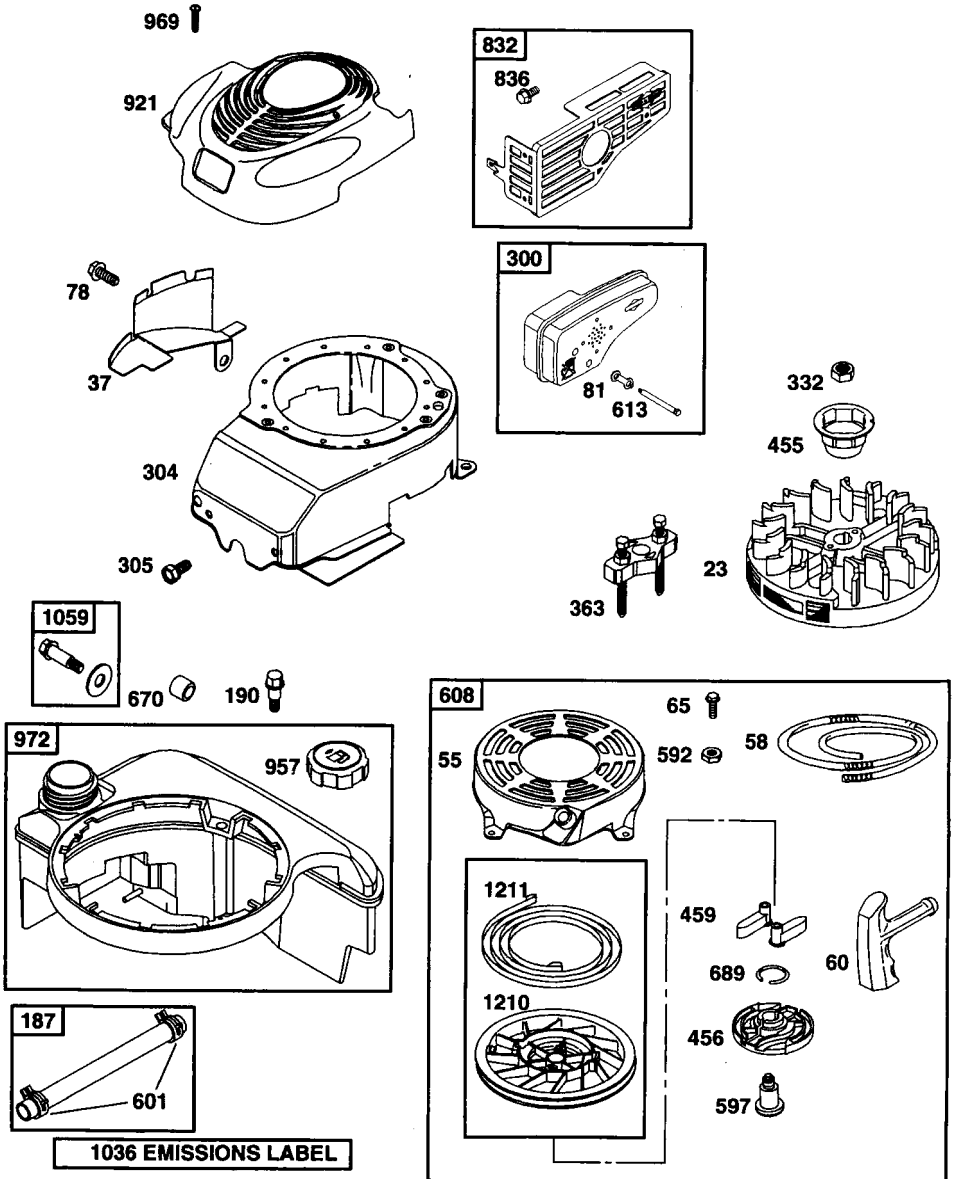
NOTE: All component dimensions given in U.S. inches.
1 inch = 25.4 mm

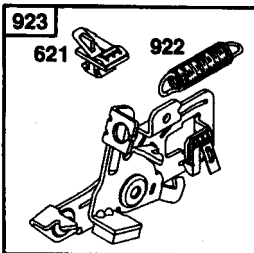
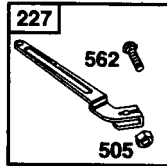
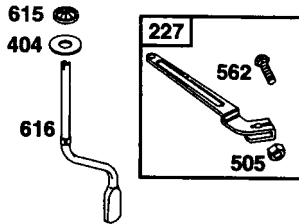
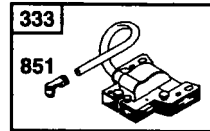
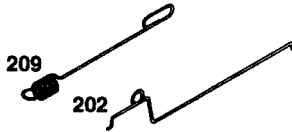
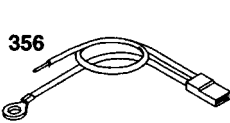
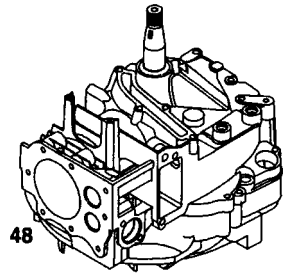
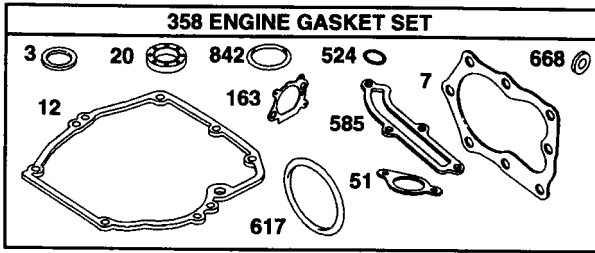


123K02-0222-E1



123K02-0222-E1





123K02-0222-E1

KEY NO.	PART NO.	DESCRIPTION	KEY NO.	PART NO.	DESCRIPTION
1	697322	Cylinder Assembly	16	691451	Crankshaft
2	399269	Kit-Bushing/Seal	20	399781	Seal-Oil (PTO Side)
3	299819	Seal-Oil (Magneto Side)	22	691092	Screw (Engine Sump)
4	493279	Sump-Engine	23	692315	Flywheel
5	691160	Head-Cylinder	24	222698	Key-Flywheel
7	692249	Gasket-Cylinder Head	25	697339	Piston Assembly (Standard)
8	695250	Breather Assembly		697340	Piston Assembly (.010" Oversize)
9	696125	Gasket-Breather		697341	Piston Assembly (.020" Oversize)
10	691125	Screw (Breather Assembly)		697342	Piston Assembly (.030" Oversize)
11	691781	Tube-Breather	26	499425	Ring Set-Piston (Standard)
12	692232	Gasket-Crankcase		499426	Ring Set-Piston (.010" Oversize)
13	690912	Screw (Cylinder Head)		499427	Ring Set-Piston (.020" Oversize)
15	691680	Plug-Oil Drain		499428	Ring Set-Piston (.030" Oversize)

KEY NO.	PART NO.	DESCRIPTION	KEY NO.	PART NO.	DESCRIPTION
27	691866	Lock-Piston Pin	455	695161	Cup-Flywheel
28	499423	Pin-Piston	456	692299	Plate-Pawl Friction
29	499424	Rod-Connecting	459	261505	Pawl-Ratchet
32	691664	Screw (Connecting Rod)	505	231082	Nut (Governor Control Lever)
32A	695759	Screw (Connecting Rod)	523	495264	Dipstick
33	262651	Valve-Exhaust	524	692296	• Seal-Dipstick Tube
34	262652	Valve-Intake	525	495265	Tube-Dipstick
35	691270	Spring-Valve (Intake)	529	691923	Grommet
36	691270	Spring-Valve (Exhaust)	562	92613	Bolt (Governor Control Lever)
37	694086	Guard-Flywheel	584	692342	Cover-Breather Passage
40	692194	Retainer-Valve	585	691879	• Gasket-Breather Passage
43	691997	Slinger-Governor/Oil	592	690800	Nut (Rewind Starter)
45	690548	Tappet-Valve	597	691696	Screw (Pawl Friction Plate)
46	691449	Camshaft	601	95162	Clamp-Hose
48	498826	Short Block (Replacement Engine 123K02-0015-E1)	608	497680	Starter-Rewind
50	497465	Manifold-Intake	613	691340	Screw (Muffler)
51	272199	• Gasket-Intake	615	690340	Retainer-Governor Shaft
54	691650	Screw (Intake Manifold)	616	691308	Crank-Governor
55	691421	Housing-Rewind Starter	617	270344	*Ø‡ Seal-O Ring (Intake Manifold)
58	692259	Rope-Starter (Cut to Length)	621	692310	Switch-Stop
60	281434	Grip-Starter Rope	633	691321	Ø‡ Seal-Throttle Shaft
65	690837	Screw (Rewind Starter)	635	66538	Boot-Sparkplug
78	691108	Screw (Flywheel Guard)	668	493823	• Spacer (Includes 2)
81	691740	Lock-Muffler Screw	670	692294	Spacer-Fuel Tank
95	691636	Screw (Throttle Valve)	684	690345	Screw (Breather Passage Cover)
97	696565	Shaft-Throttle	689	691855	Spring-Friction
104	691242	Ø Pin-Float Hinge	718	690959	Pin-Locating
117	498978	Jet-Main (Standard)	741	691830	Gear-Timing
118	497466	Jet-Main (High Altitude)	745	691648	Screw (Brake)
121	498260	Kit-Carburetor Overhaul	832	499034	Guard-Muffler
125	498170	Carburetor	836	690664	Screw (Muffler Guard)
127	694468	Ø Plug-Weich	842	691031	• Seal-O Ring (Dipstick Tube)
130	696564	Valve-Throttle	847	692017	Assembly-Dipstick/Tube
133	398187	Float-Carburetor	851	493880	Terminal-Sparkplug
134	398188	Ø Valve-Needle/Seat	868	697338	Seal-Valve
137	693981	Ø‡ Gasket-Float Bowl	869	691155	Seat-Valve (Intake)
146	690979	Key-Timing	870	690380	Seat-Valve (Exhaust)
159	691753	Bracket-Air Cleaner Primer	871	262001	Bushing-Guide (Exhaust)
163	272653	*Ø‡ Gasket-Air Cleaner	63709	63709	Bushing-Guide (Intake)
187	691050	Line-Fuel (Cut to Required Length)	921	697343	Cover-Blower Housing
188	693399	Screw (Control Bracket)	922	692135	Spring-Brake
190	690940	Screw (Fuel Tank)	923	695891	Brake
202	691829	Link-Mechanical Governor	957	397974	Cap-Fuel Tank
209	690319	Spring-Governor	966	496116	Base-Air Cleaner Primer
222	692031	Bracket-Control	968	692298	Cover-Air Cleaner
227	690783	Control Lever-Governor	969	690700	Screw (Blower Housing Cover)
276	271716	Ø‡ Sealing Washer	970	691669	Screw (Air Cleaner Primer Bracket)
287	690940	Screw (Dipstick Tube)	972	495224	Tank-Fuel
300	692038	Muffler	975	493640	Bowl-Float
304	695892	Housing-Blower	976	694395	Primer-Carburetor
305	691108	Screw (Blower Housing)	977	498261	Set-Carburetor Gasket
306	690450	Shield-Cylinder	1019	494256	Kit-Label
307	690345	Screw (Cylinder Shield)	1036	697456	Label-Emission
332	690662	Nut (Flywheel)	1059	692311	Kit-Screw/Washer
333	802574	Armature-Magneto	1210	498144	Assembly-Pulley/Spring (Pulley)
334	691061	Screw (Armature Magneto)	1211	498144	Assembly-Pulley/Spring (Spring)
37	802592	Spark Plug			
356	692390	Wire-Stop			RPM Settings: Low: 1900-2100; High: 3000-3200
358	497316	Engine Gasket Set			• Included in Engine Gasket Set, Key No. 358
363	19069	Flywheel Puller			Ø Included in Carburetor Overhaul Kit, Key No. 121
365	692524	Screw (Carburetor)			‡ Included in Carburetor Gasket Set, Key No. 977
383	89838	Wrench-Spark Plug			
404	690272	Washer (Governor Crank)			
425	690670	Screw (Air Cleaner Cover)			
443	692523	Screw (Air Cleaner Primer Base)			
445	491588	Filter-Air Cleaner Cartridge			NOTE: All component dimensions given in U.S. inches. 1 inch = 25.4 mm.

LIMITED TWO YEAR WARRANTY ON CRAFTSMAN POWER MOWER

For two years from date of purchase, when this Craftsman Lawn Mower is maintained, lubricated, and tuned up according to the operating and maintenance instructions in the owner's manual, Sears will repair free of charge any defect in material or workmanship.

If this Craftsman Lawn Mower is used for commercial or rental purposes, this warranty applies for only 90 days from the date of purchase.

This Warranty does not cover:

- Expendable items which become worn during normal use, such as rotary mower blades, blade adapters, belts, air cleaners and spark plug.
- Repairs necessary because of operator abuse or negligence, including bent crankshafts and the failure to maintain the equipment according to the instructions contained in the owner's manual.

Warranty service is available by returning the Craftsman power mower to the nearest Sears Service Center/Department in the United States. This warranty applies only while this product is used in the United States.

This Warranty gives you specific legal rights, and you may also have other rights which vary from state to state.

Sears, Roebuck and Co., D/817 WA, Hoffman Estates, Illinois 60179

CRAFTSMAN®