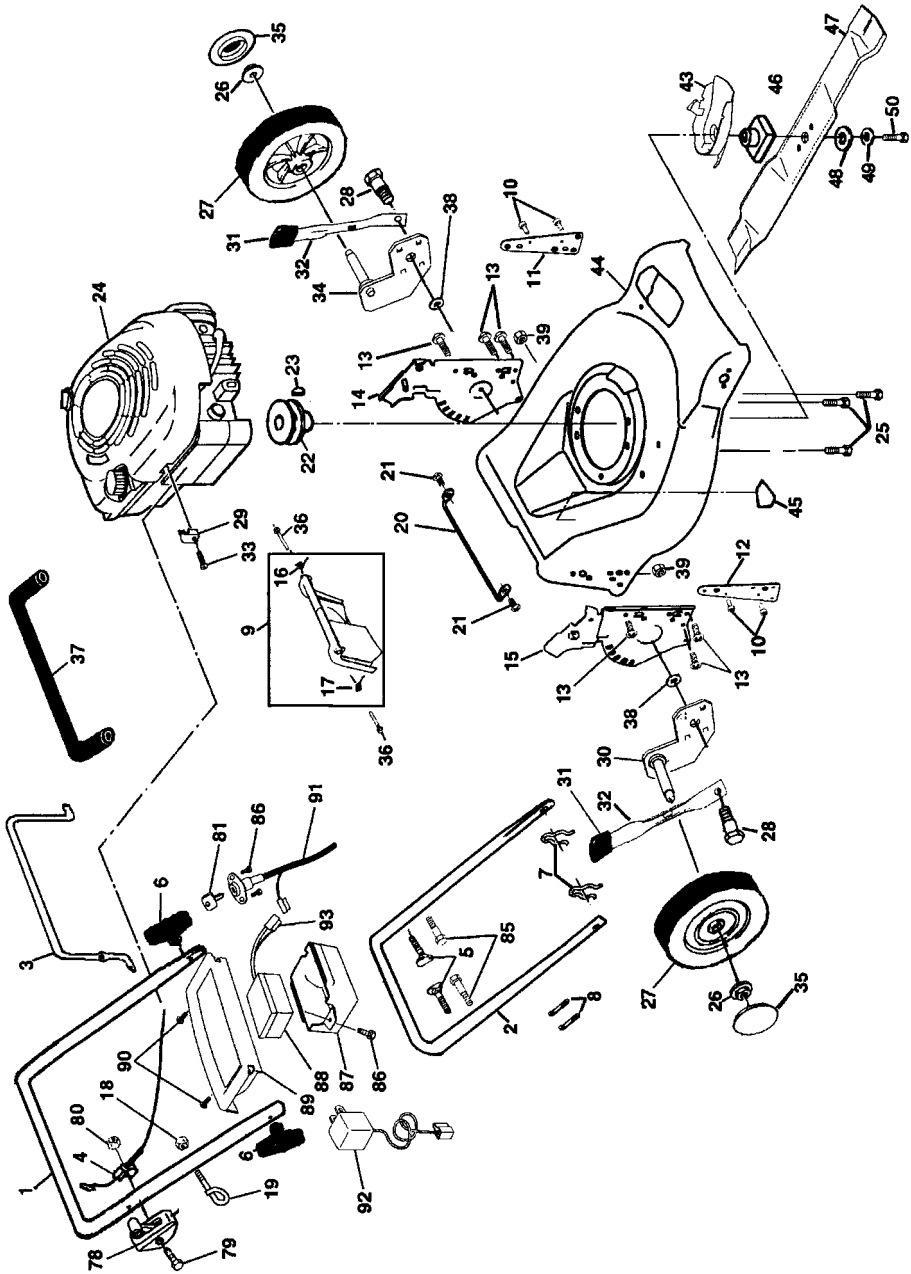


REPAIR PARTS MANUAL
MODEL NO. 371020
Rotary Lawn Mower

CRAFTSMAN[®]

CRAFTSMAN ROTARY LAWN MOWER -- MODEL NUMBER 917.371020

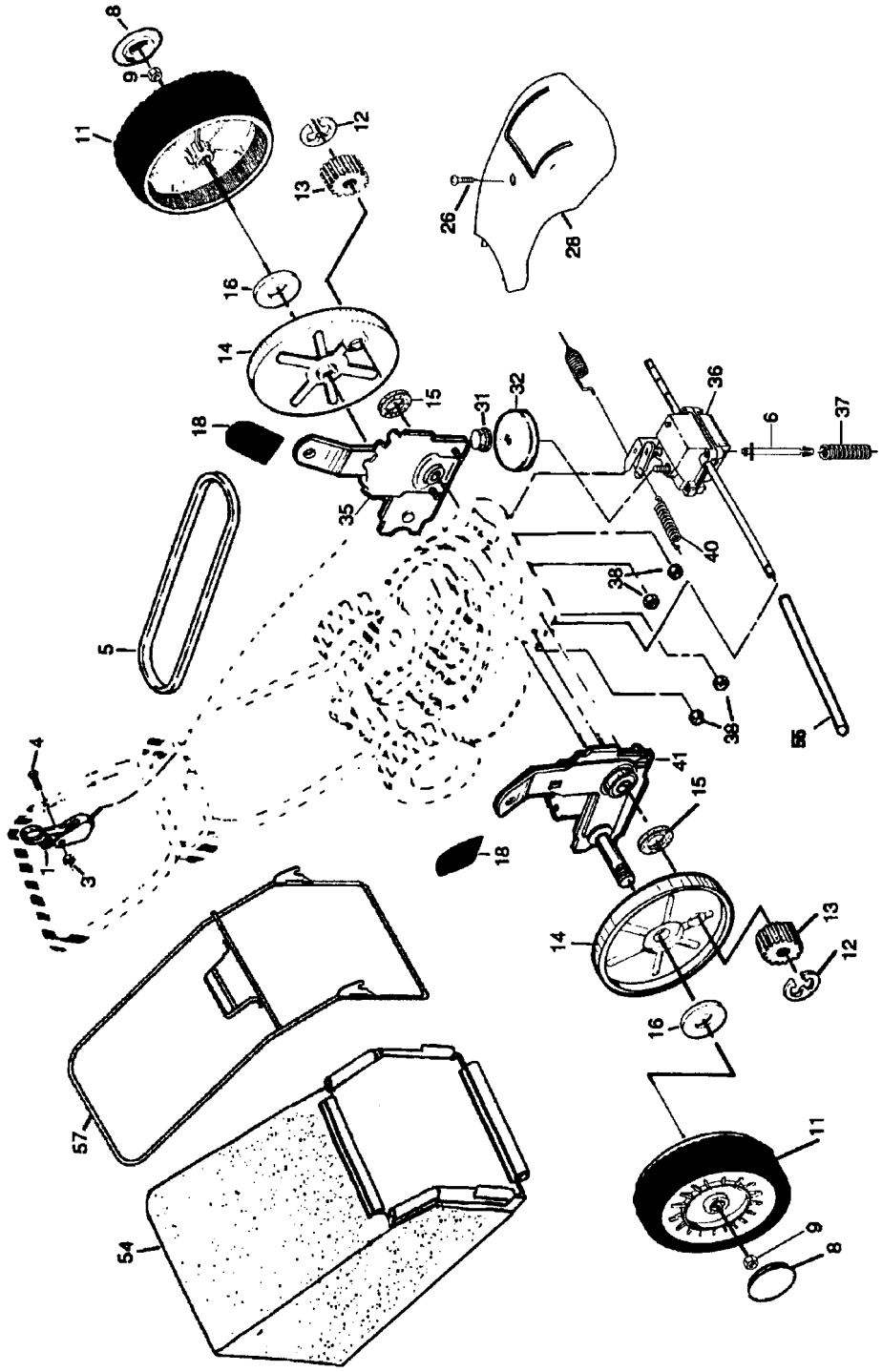


CRAFTSMAN ROTARY LAWN MOWER -- MODEL NUMBER 917.371020

KEY PART NO. NO.	DESCRIPTION	KEY PART NO. NO.	DESCRIPTION
1	181472	34	165762X004
2	175245X479	35	180625
3	180955	36	165912
4	133107	37	164265
5	131959	38	176185
6	136376	39	176235
7	51793	43	175083
8	66426	44	182588
9	180479	45	182166
10	128415	46	180069
11	175069X479	47	175052
12	175070X479	48	851074
13	17060410	49	850263
14	175082X479	50	851084
15	175081X479	78	182156
16	180071	79	144929
17	180072	80	132004
18	132004	81	180331
19	179585	85	175351
20	173205	86	17411312
21	54583	87	175273
22	84596	88	750909
23	87677	89	175271
24	---	90	141841
25	150406	91	180330
26	83923	92	130024
27	150341	93	86353
28	175231	--	182134
29	111190X	--	182589
30	165761X004	--	182590
31	701037	--	182606
32	175060X004		
33	83816		

NOTE: All component dimensions given in U.S. inches.
1 inch = 25.4 mm

CRAFTSMAN ROTARY LAWN MOWER -- MODEL NUMBER 917.371020

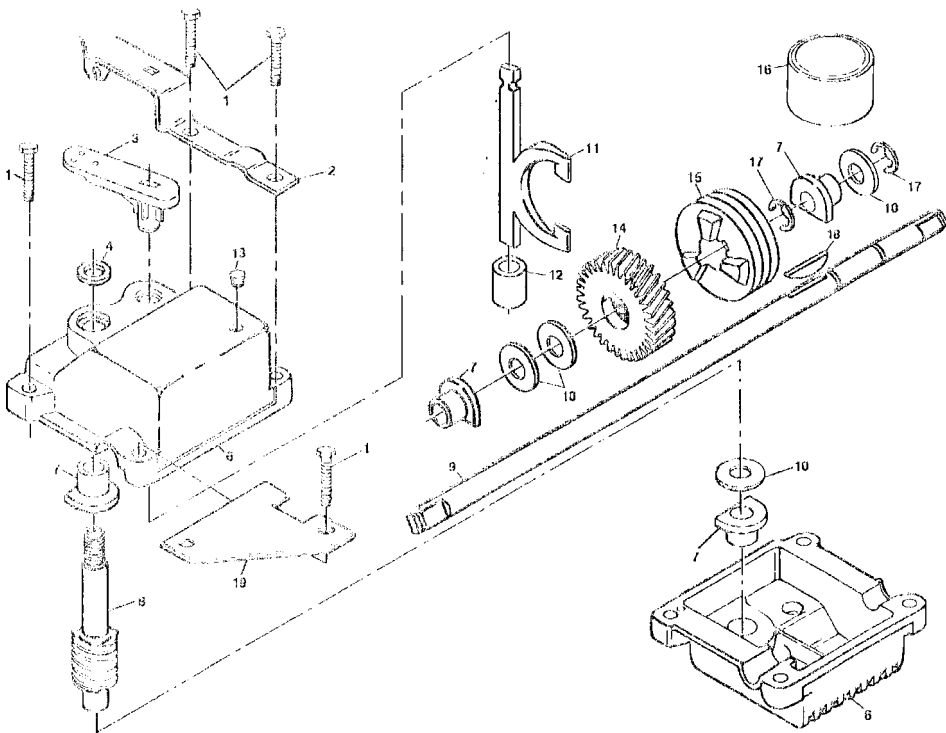


CRAFTSMAN ROTARY LAWN MOWER -- MODEL NUMBER 917.371020

KEY PART NO. NO.	DESCRIPTION	KEY PART NO. NO.	DESCRIPTION
1	179681	28	178843
3	751152	31	132010
4	158755	32	137052
5	175436	35	151521
6	150495	36	175258
8	180625	37	137090
9	145212	38	63601
11	180775	40	75192
12	12000058	41	151520
13	137054	54	182592
14	180504	55	175739
15	88118	57	175058
16	67725		
18	701037		
26	175262		

NOTE: All component dimensions given in U.S. inches.
1 inch = 25.4 mm

**CRAFTSMAN ROTARY LAWN MOWER - - MODEL NUMBER 917.371020
GEAR CASE ASSEMBLY - - PART NUMBER 176293**



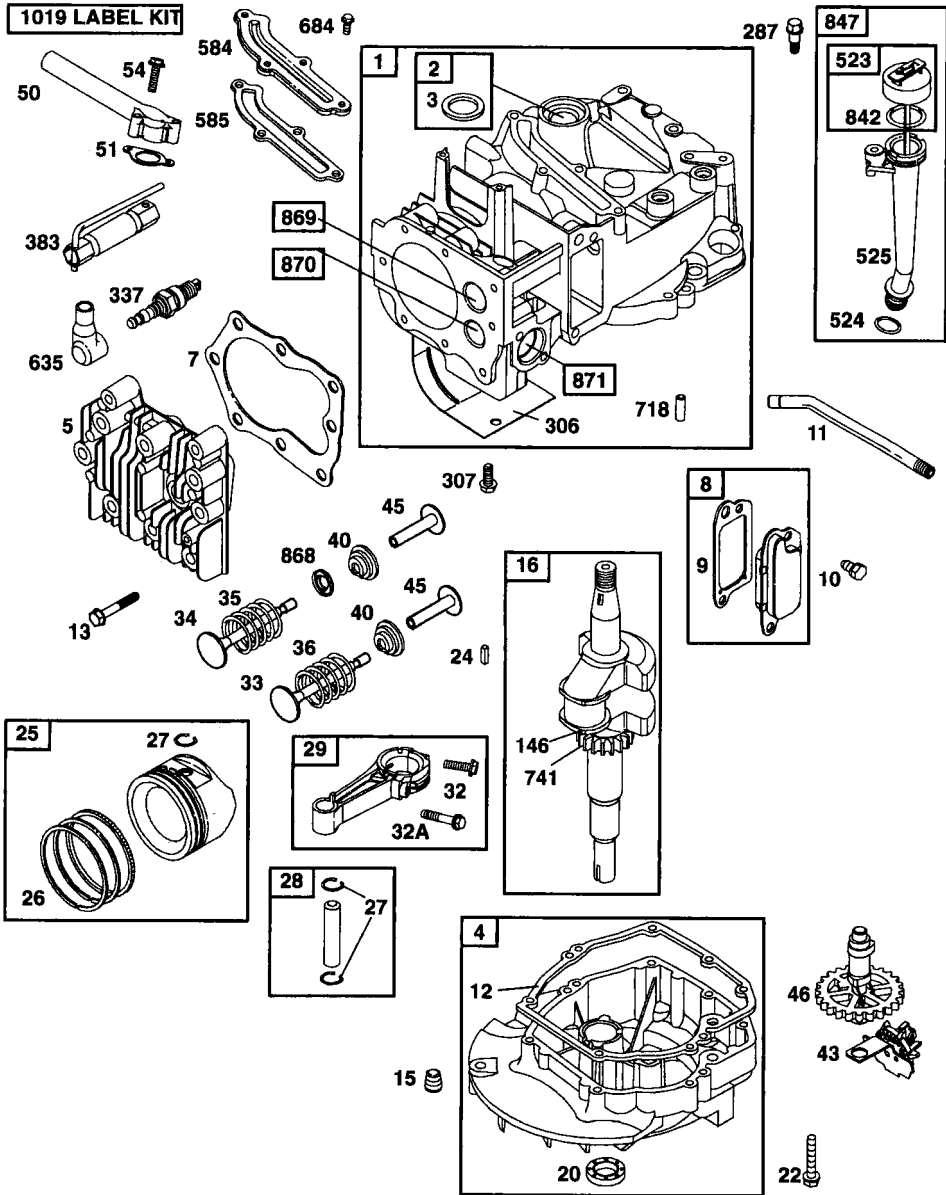
**KEY PART
NO. NO.**

1	17490416
2	175248X004
3	137053
4	57072
6	48373
7	77881
8	137051
9	175257
10	57079
11	131484
12	700343
13	86447
14	137050
15	750436X
16	750369
17	12000003
18	850848
19	81585X004

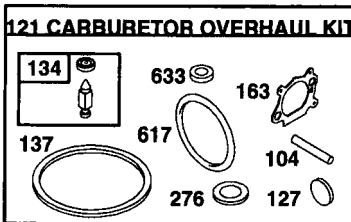
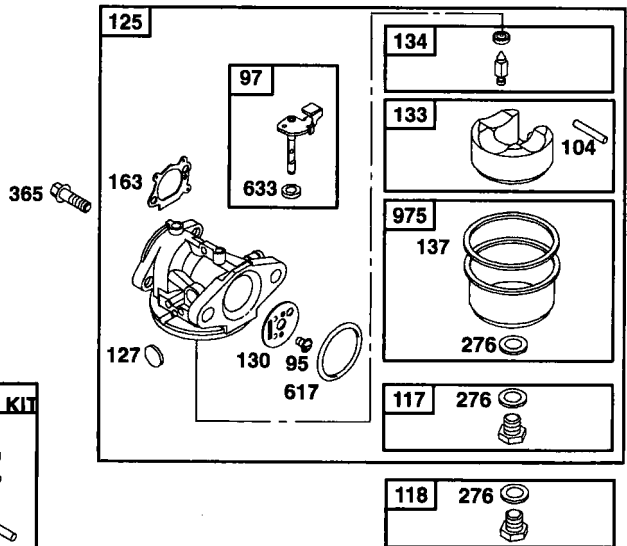
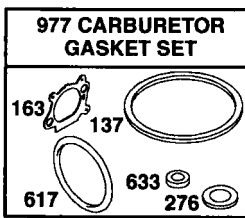
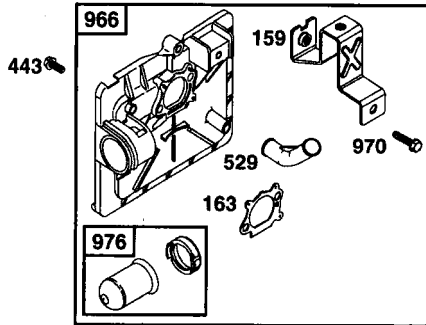
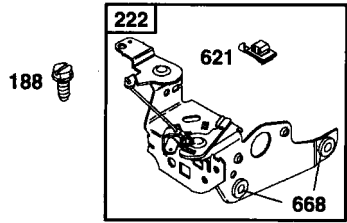
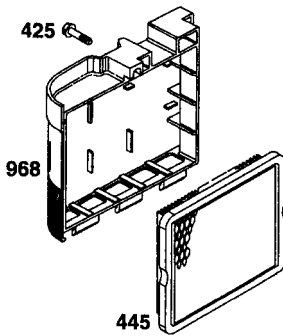
DESCRIPTION

Tapping Screw 1/4-20 x 1-1/4
Engagement Bracket
Shifter
Seal
Gear Case Halves Kit (Includes Key Numbers 4 and 7)
Bearing
Worm Shaft
Drive Shaft
Hardened Washer
Clutch Yoke
Bushing
Plug
Helical Gear
Clutch Jaw
Grease
E-Ring
Hi-Pro Key
Spring Bracket

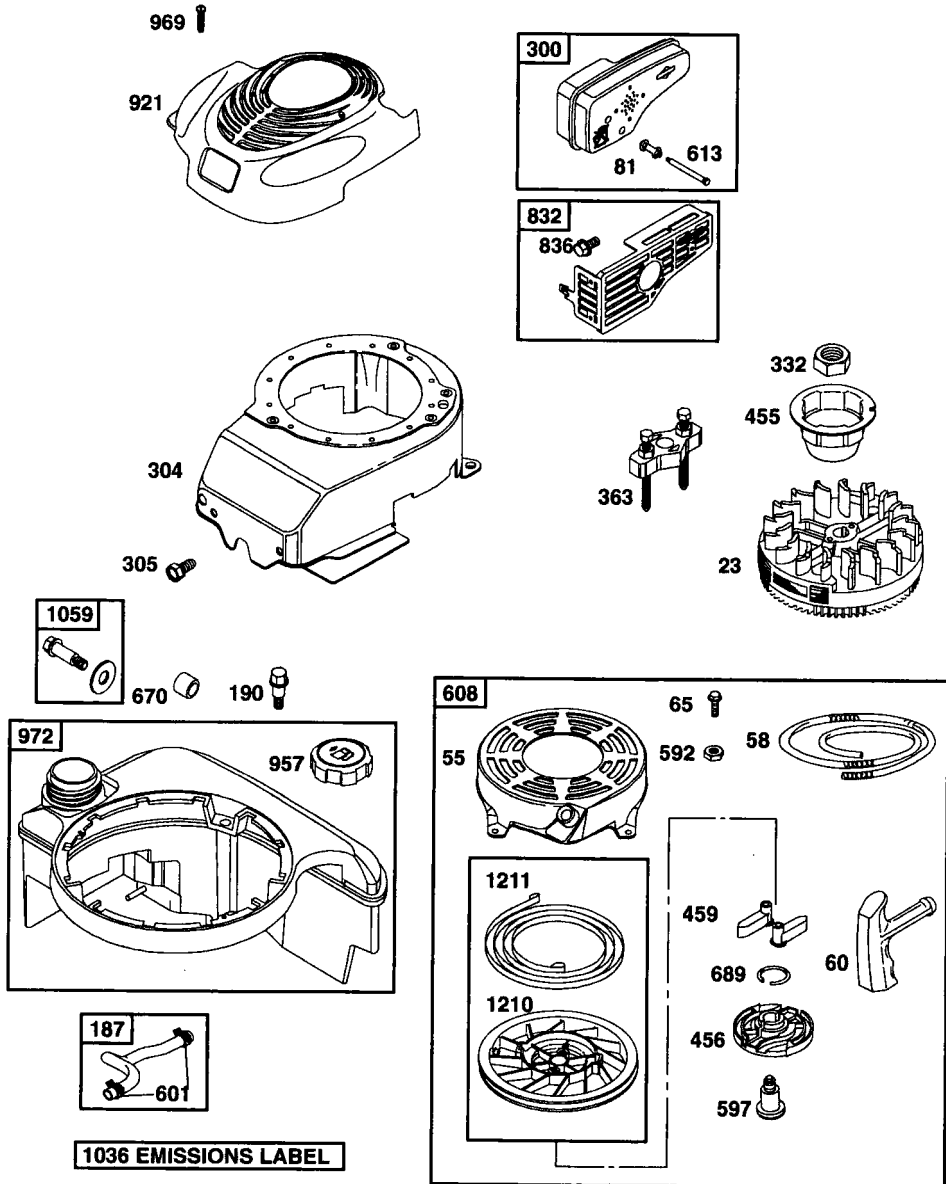
NOTE: All component dimensions given in U.S. inches.
1 inch = 25.4 mm

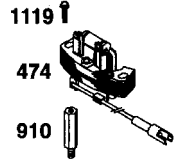
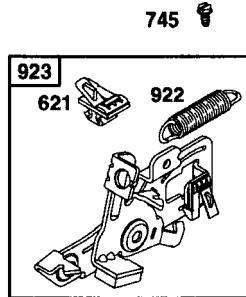
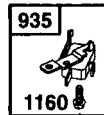
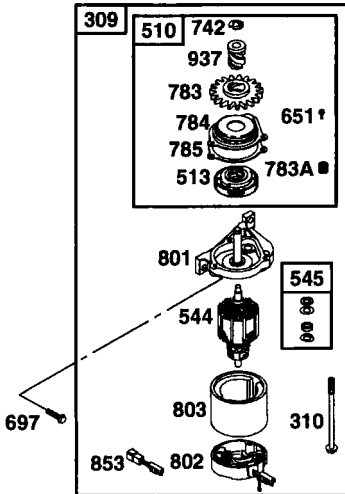
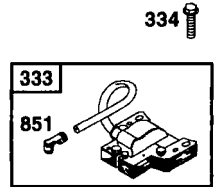
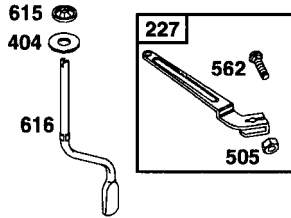
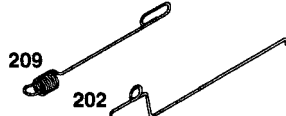
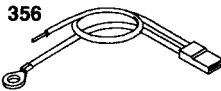
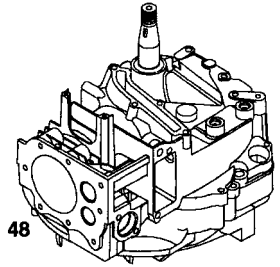
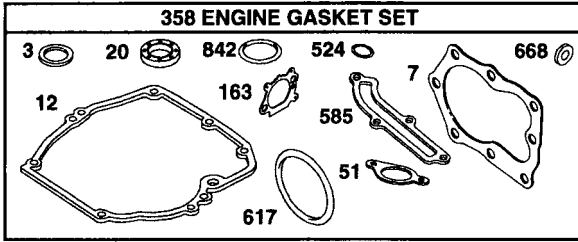


123K07-0223-E1



123K07-0223-E1





123K07-0223-E1

KEY NO.	PART NO.	DESCRIPTION
1	697322	Cylinder Assembly
2	399269	Kit-Bushing/Seal
3	299819	• Seal-Oil (Magneto Side)
4	493279	Sump-Engine
5	691160	Head-Cylinder
7	692249	• Gasket-Cylinder Head
8	695250	Breather Assembly
9	696125	Gasket-Breather
10	691125	Screw (Breather Assembly)
11	691781	Tube-Breather
12	692232	• Gasket-Crankcase
13	690912	Screw (Cylinder Head)
15	691680	Plug-Oil Drain
16	691451	Crankshaft
20	399781	• Seal-Oil (PTO Side)
22	691092	Screw (Engine Sump)
23	691987	Flywheel
24	222698	Key-Flywheel

KEY NO.	PART NO.	DESCRIPTION
25	697339	Piston Assembly (Standard)
	697340	Piston Assembly (.010" Oversize)
	697341	Piston Assembly (.020" Oversize)
	697342	Piston Assembly (.030" Oversize)
26	499425	Ring Set-Piston (Standard)
	499426	Ring Set-Piston (.010" Oversize)
	499427	Ring Set-Piston (.020" Oversize)
	499428	Ring Set-Piston (.030" Oversize)
27	691866	Lock-Piston Pin
28	499423	Pin-Piston
29	499424	Rod-Connecting
32	691864	Screw (Connecting Rod)
32A	695759	Screw (Connecting Rod)
33	262651	Valve-Exhaust
34	262652	Valve-Intake
35	691270	Spring-Valve (Intake)
36	691270	Spring-Valve (Exhaust)
40	692194	Retainer-Valve

KEY NO.	PART NO.	DESCRIPTION	KEY NO.	PART NO.	DESCRIPTION
43	691997	Slinger-Governor/Oil	585	691879	• Gasket-Breather Passage
45	690548	Tappet-Valve	592	690800	Nut (Rewind Starter)
46	691449	Camshaft	597	691696	Screw (Pawl Friction Plate)
48	498826	Short Block (Replacement Engine 123K07-0060-E1)	601	95162	Clamp-Hose
50	497465	Manifold-Intake	608	497680	Starter-Rewind
51	272199	• Gasket-Intake	613	691340	Screw (Muffler)
54	691650	Screw (Intake Manifold)	615	690340	Retainer-Governor Shaft
55	691421	Housing-Rewind Starter	616	691308	Crank-Governor
58	692259	Rope-Starter (Cut to Length)	617	270344	•Ø‡ Seal-O Ring (Intake Manifold)
60	281434	Grip-Starter Rope	621	692310	Switch-Stop
65	690837	Screw (Rewind Starter)	633	691321	Ø‡ Seal-Throttle Shaft
81	691740	Lock-Muffler Screw	635	66538	Boot-Sparkplug
95	691636	Screw (Throttle Valve)	651	93490	Screw (Starter Gear Cover)
97	696565	Shaft-Throttle	668	493823	• Spacer (Includes 2)
104	691242	Ø Pin-Float Hinge	670	692294	Spacer-Fuel Tank
117	498978	Jet-Main (Standard)	684	690345	Screw (Breather Passage Cover)
118	497466	Jet-Main (High Altitude)	689	691855	Spring-Friction
121	498260	Kit-Carburetor Overhaul	697	691127	Screw (Starter Motor)
125	498170	Carburetor	718	690959	Pin-Locating
127	694468	Ø Plug-Walch	741	691830	Gear-Timing
130	696564	Valve-Throttle	742	93941	Retainer-E Ring
133	398187	Float-Carburetor	745	691648	Screw (Brake)
134	398188	Ø Valve-Needle/Seat	783	691918	Gear-Pinion (19 Teeth)
137	693981	Ø‡ Gasket-Float Bowl	783A	691269	Gear-Pinion (12 Teeth)
146	690979	Key-Timing	784	692341	Cover-Starter Gear
159	691753	Bracket-Air Cleaner Primer	785	692352	Gasket-Starter Cover
163	272653	•Ø‡ Gasket-Air Cleaner	789	696547	Harness-Wiring
187	691371	Line-Fuel	801	690782	Cap-Drive
188	693399	Screw (Control Bracket)	802	695267	Cap-End
190	690940	Screw (Fuel Tank)	803	695266	Housing-Starter
202	691829	Link-Mechanical Governor	832	499034	Guard-Muffler
209	690319	Spring-Governor	836	690664	Screw (Muffler Guard)
222	692031	Bracket-Control	842	691031	• Seal-O Ring (Dipstick Tube)
227	690783	Control Lever-Governor	847	692017	Assembly-Dipstick/Tube
276	271716	Ø‡ Sealing Washer	851	493880	Terminal-Sparkplug
287	690940	Screw (Dipstick Tube)	853	695268	Adapter-Wire
300	692038	Muffler	868	697338	Seal-Valve
304	493293	Housing-Blower	869	691155	Seat-Valve (Intake)
305	691108	Screw (Blower Housing)	870	690380	Seat-Valve (Exhaust)
306	690450	Shield-Cylinder	871	262001	Bushing-Guide (Exhaust)
307	690345	Screw (Cylinder Shield)		63709	Bushing-Guide (Intake)
309	695550	Motor-Starter	910	691094	Stud (Alternator)
310	692327	Bolt (Starter Motor)	921	697343	Cover-Blower Housing
332	690662	Nut (Flywheel)	922	691831	Spring-Brake
333	802574	Armature-Magneto	923	691994	Brake
334	691061	Screw (Armature Magneto)	935	398758	Switch-Interlock
337	802592	Spark Plug	937	691325	Starter-Spline
356	692390	Wire-Stop	957	397974	Cap-Fuel Tank
358	497316	Engine Gasket Set	966	496116	Base-Air Cleaner Primer
363	19069	Flywheel Puller	968	692298	Cover-Air Cleaner
365	692524	Screw (Carburetor)	969	690700	Screw (Blower Housing Cover)
383	89838	Wrench-Spark Plug	970	691669	Screw (Air Cleaner Primer Bracket)
404	690272	Washer (Governor Crank)	972	495224	Tank-Fuel
425	690670	Screw (Air Cleaner Cover)	975	493640	Bowl-Float
443	692523	Screw (Air Cleaner Primer Base)	976	694395	Primer-Carburetor
445	491588	Filter-Air Cleaner Cartridge	977	498261	Set-Carburetor Gasket
455	695161	Cup-Flywheel	1019	494256	Kit-Label
456	692299	Plate-Pawl Friction	1036	697456	Label-Emissions
459	281505	Pawl-Ratchet	1059	692311	Kit-Screw/Washer
474	691991	Alternator	1119	692979	Screw (Alternator)
505	231082	Nut (Governor Control Lever)	1160	691627	Screw (Interlock Switch)
510	494147	Drive-Starter	1210	498144	Assembly-Pulley/Spring (Pulley)
513	692358	Clutch-Drive	1211	498144	Assembly-Pulley/Spring (Spring)
523	495264	Dipstick			
524	692296	• Seal-Dipstick Tube			
525	495265	Tube-Dipstick			
529	691923	Grommet			
544	690786	Armature-Starter			
545	492919	Washer Set (Starter Motor)			
562	92613	Bolt (Governor Control Lever)			
584	692342	Cover-Breather Passage			
			RPM Settings:		Low: 1900-2100; High: 3000-3200
					• Included in Engine Gasket Set, Key No. 358
					Ø Included in Carburetor Overhaul Kit, Key No. 121
					‡ Included in Carburetor Gasket Set, Key No. 977

NOTE: All component dimensions given in U.S. inches 1 inch = 25.4 mm

LIMITED TWO YEAR WARRANTY ON CRAFTSMAN POWER MOWER

For two years from date of purchase, when this Craftsman Lawn Mower is maintained, lubricated, and tuned up according to the operating and maintenance instructions in the owner's manual, Sears will repair free of charge any defect in material or workmanship.

If this Craftsman Lawn Mower is used for commercial or rental purposes, this warranty applies for only 90 days from the date of purchase.

This Warranty does not cover:

- Expendable items which become worn during normal use, such as rotary mower blades, blade adapters, belts, air cleaners and spark plug.
- Repairs necessary because of operator abuse or negligence, including bent crankshafts and the failure to maintain the equipment according to the instructions contained in the owner's manual.

Warranty service is available by returning the Craftsman power mower to the nearest Sears Service Center/Department in the United States. This warranty applies only while this product is used in the United States.

This Warranty gives you specific legal rights, and you may also have other rights which vary from state to state.

Sears, Roebuck and Co., D/817 WA, Hoffman Estates, Illinois 60179

CRAFTSMAN®