

REPAIR PARTS MANUAL

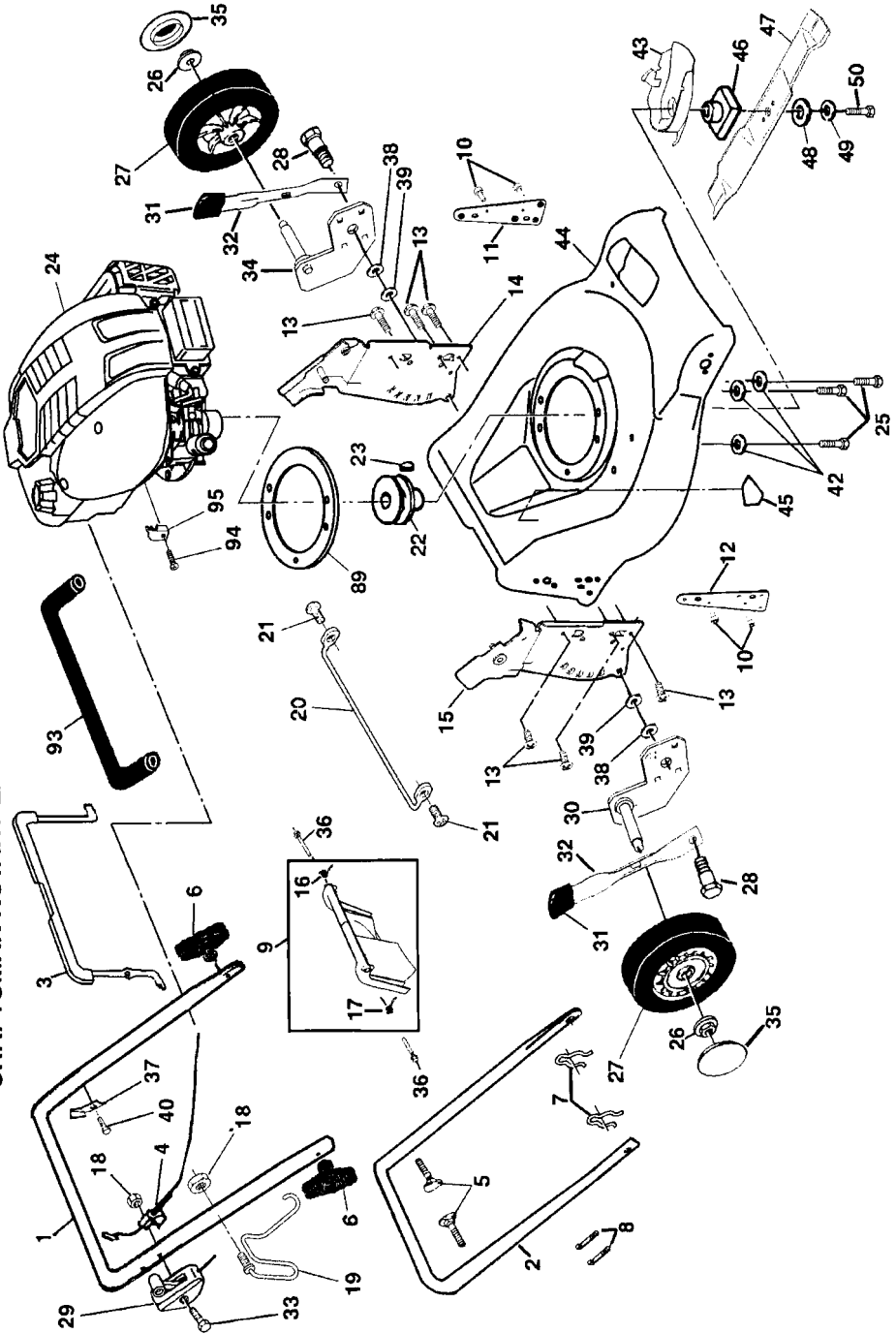
MODEL NUMBER 371090

Rotary Lawn Mower

CRAFTSMAN®

00007

CRAFTSMAN ROTARY LAWN MOWER -- MODEL NUMBER 371090

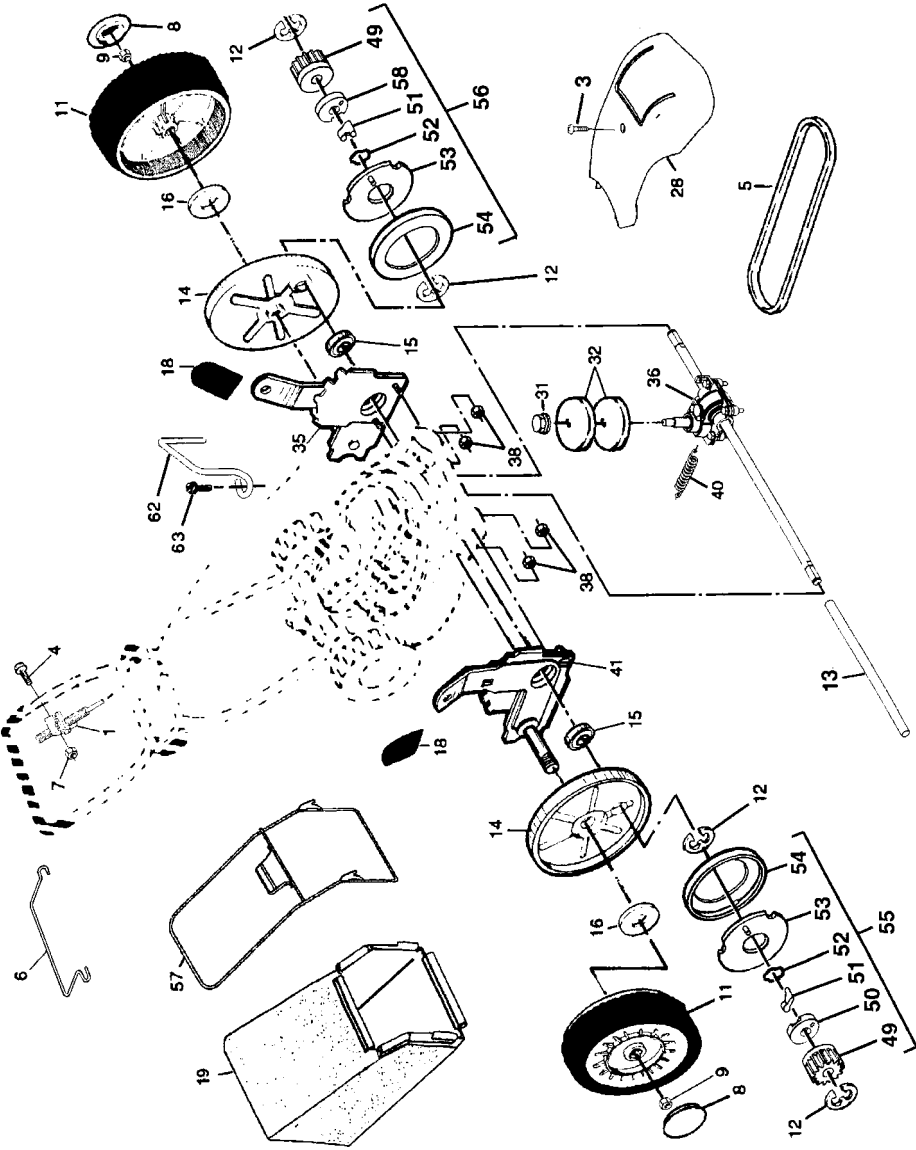


CRAFTSMAN ROTARY LAWN MOWER - - MODEL NUMBER 371090

KEY PART NO. NO.	DESCRIPTION	KEY PART NO. NO.	DESCRIPTION
1	186111	30	165761X004
2	151721X479	31	180912
3	182815	32	175060X004
4	133107	33	144929
5	131959	34	165762X004
6	181254	35	180626
7	51793	36	184193
8	66426	37	850733X004
9	180479	38	176185
10	128415	39	176235
11	175069X479	40	750634
12	175070X479	42	53998
13	17060410	43	180555
14	175082X479	44	187507
15	175081X479	45	182166
16	180071	46	180069
17	180072	47	175052
18	132004	48	851074
19	186079	49	850263
20	179205	50	179617
21	54583	89	701313
22	169747	93	186362
23	87677	94	83816
24	---	95	111190X
25	850999	--	161058
26	83923	--	187503
27	150341	--	187504
28	175231	--	187505
29	700644		

NOTE: All component dimensions given in U.S. inches.
1 inch = 25.4 mm

CRAFTSMAN ROTARY LAWN MOWER -- MODEL NUMBER 371090

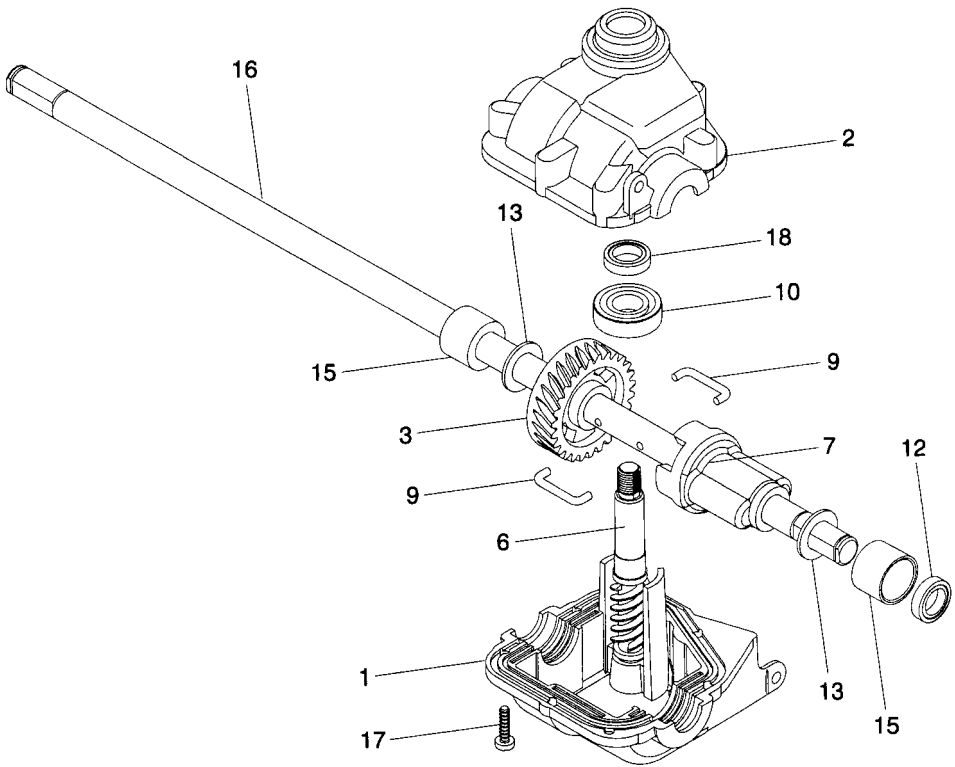


CRAFTSMAN ROTARY LAWN MOWER - - MODEL NUMBER 371090

KEY NO.	PART NO.	DESCRIPTION	KEY NO.	PART NO.	DESCRIPTION
1	185685	Drive Control Assembly	36	187212	Gear Case Assembly (See Breakdown)
3	175262	Pin Head Tapping Screw #10-24 x 2-3/4	38	73800400	Locknut 1/4-20
4	185681	Screw	40	182226	Spring
5	169778	V-Belt	41	180914	Kit, Wheel Adjuster, RH
6	185503	Bar, Drive Control			(Includes Knob and Bearing)
7	751152	Nut, Hex	49	175103	Pinion, Gear
8	180626	Hubcap	50	175102	Retainer, Drive, RH
9	145212	Locknut	51	175098	Pawl
11	180775	Wheel & Tire Assembly	52	175267	Spring, Torsion
12	12000058	E-Ring	53	175104	Disc, Drive
13	175739	Driveshaft Cover	54	175101	Seal, Friction
14	180504	Dust Cover	55	187410	Pinion Assembly, RH
15	169911	Bearing, Wheel Adjuster	56	187411	Pinion Assembly, LH
16	67725	Washer 1/2 x 1-1/2 x .134	57	183993	Frame, Grassbag
18	180912	Selector Knob	58	175105	Retainer, Drive, LH
19	187506	Grassbag Assembly	62	183865	Keeper, Belt
28	175065	Drive Cover	63	173715	Screw 5/16-18 x 1
31	132010	Hex Flange Nut			
32	169742	Drive Pulley			
35	180915	Kit, Wheel Adjuster, LH (includes Knob and Bearing)			

NOTE: All component dimensions given in U.S. inches.
1 inch = 25.4 mm

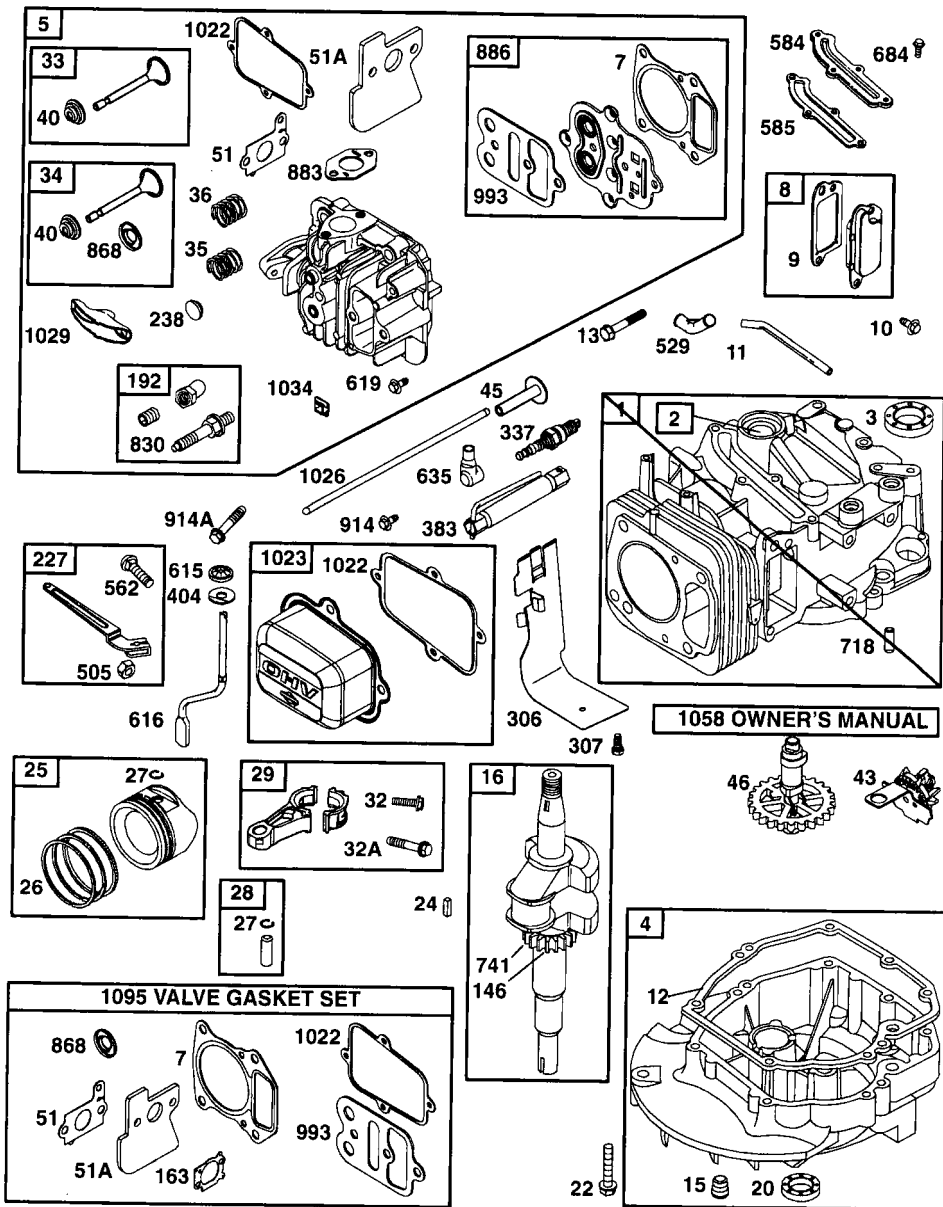
**CRAFTSMAN ROTARY LAWN MOWER - - MODEL NUMBER 371090
GEAR CASE ASSEMBLY - - PART NUMBER 187212**

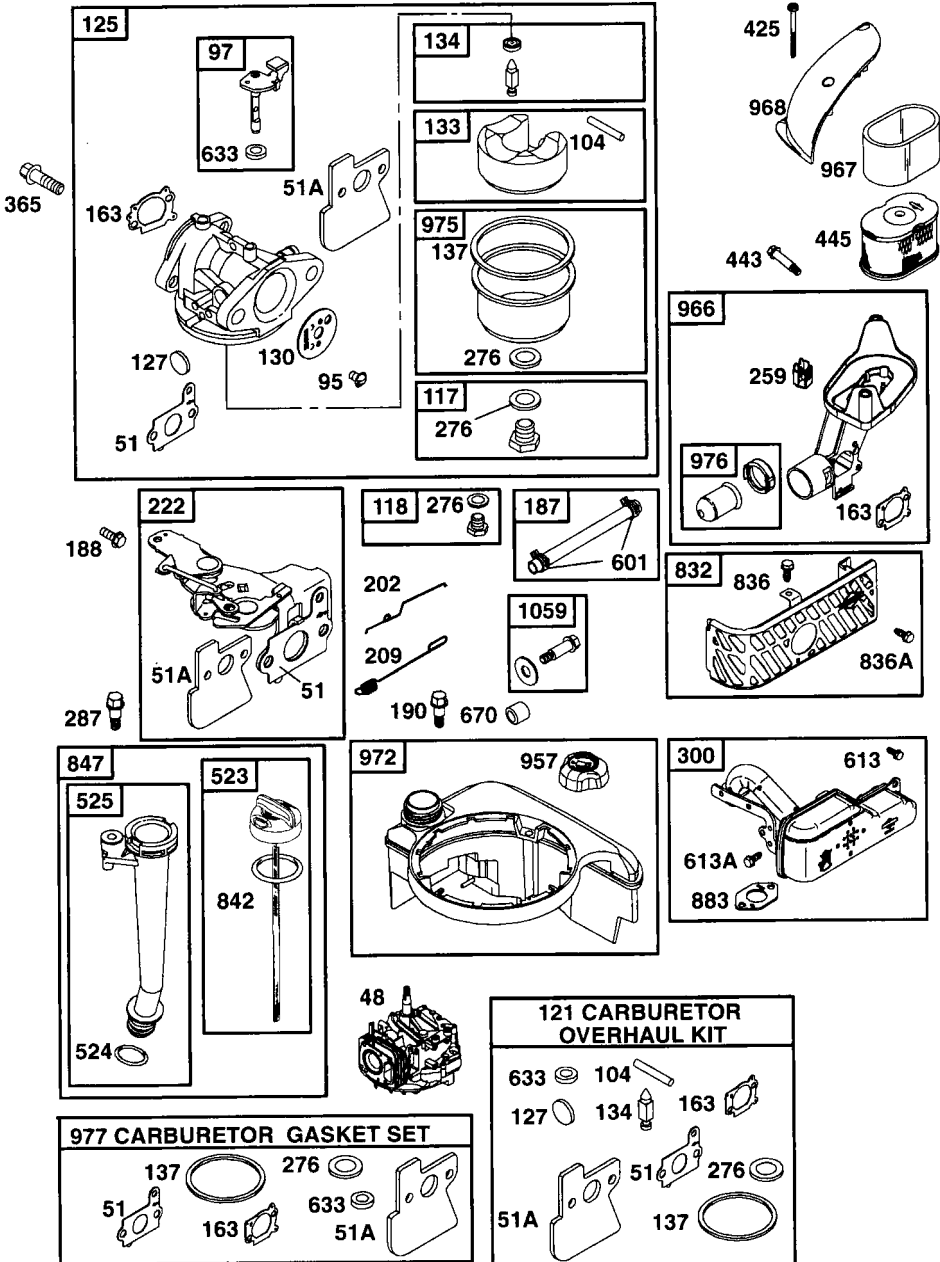


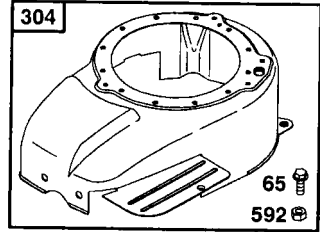
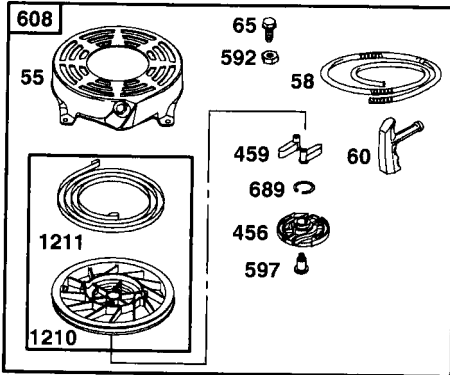
KEY NO.	PART NO.	DESCRIPTION
1	187525	Case, Lower
2	187526	Case, Upper
3	183499	Gear, 27 Teeth
6	187527	Shaft, Input
7	187528	Spacer
9	183505	Wire, Formed
10	183506	Bearing, Ball
12	183508	Seal, Output Shaft
13	183509	Washer
15	183511	Bushing
16	187529	Shaft, Output
17	183513	Screw
18	183514	Seal, Input Shaft

NOTE: Use Dow Corning #709 to reseal Gear Case Halves.

NOTE: All component dimensions given in U.S. inches.
1 inch = 25.4 mm

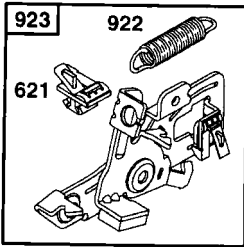
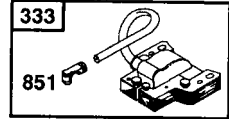




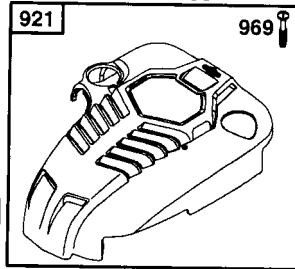


745

478



703



334

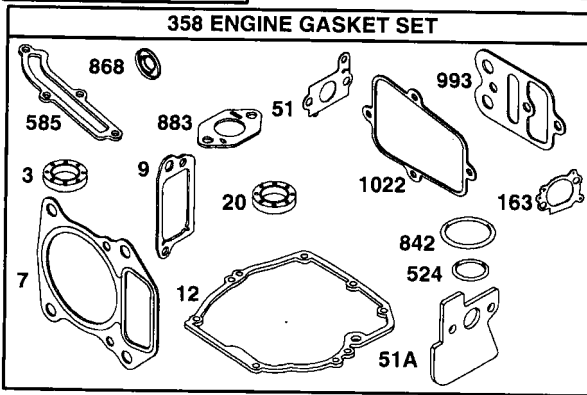
356

37

78

1036 LABEL-EMISSION

1019 KIT-LABEL



332

363

324

1005

23

KEY NO.	PART NO.	DESCRIPTION	KEY NO.	PART NO.	DESCRIPTION
1	692670	Cylinder Assembly	51A	692799	•Ø‡+Spacer-Carburetor
2	399269	Kit-Bushing/Seal	55	691421	Housing-Rewind Starter
3	299819	• Seal-Oil (Magneto Side)	58	692259	Rope-Starter (Cut to Length)
4	493279	Sump-Engine	60	281434	Grip-Starter Rope
5	695276	Head-Cylinder	65	690837	Screw (Rewind Starter)
7	695166	•+Gasket-Cylinder Head	78	691108	Screw (Flywheel Guard)
8	495786	Breather Assembly	95	691636	Screw (Throttle Valve)
9	272481	• Gasket-Breather	97	499682	Shaft-Throttle
10	691125	Screw (Breather Assembly)	104	691242	Ø Pin-Float Hinge
11	691260	Tube-Breather	117	498978	Jet-Main (Standard)
12	692232	• Gasket-Crankcase	118	498975	Jet-Main (High Altitude)
13	691137	Screw (Cylinder Head)	121	692703	Kit-Carburetor Overhaul
15	691680	Plug-Oil Drain	125	694202	Carburetor
16	691457	Crankshaft	127	694468	Ø Plug-Weich
20	399781	• Seal-Oil (PTO Side)	130	691203	Valve-Throttle
22	691092	Screw (Engine Sump)	133	398187	Float-Carburetor
23	697610	Flywheel	134	398188	Ø Valve-Needle/Seat
24	222698	Key-Flywheel	137	693981	Ø‡Gasket-Float Bowl
25	690021	Piston Assembly (Standard Size)	146	690979	Key-Timing
	694167	Piston Assembly (.010" Oversize)	163	691894	•Ø‡+Gasket-Air Cleaner
	694168	Piston Assembly (.020" Oversize)	187	691050	Line-Fuel (Cut to Required Length)
	694169	Piston Assembly (.030" Oversize)	188	691147	Screw (Control Bracket)
26	499631	Ring Set-Piston (Standard Size)	190	690940	Screw (Fuel Tank)
	692785	Ring Set-Piston (.010" Oversize)	192	694543	Ball-Rocker Arm
	692786	Ring Set-Piston (.020" Oversize)	202	691303	Link-Mechanical Governor
	692787	Ring Set-Piston (.030" Oversize)	209	691292	Spring-Governor
27	691866	Lock-Piston Pin	222	692617	Bracket-Control
28	499423	Pin-Piston	227	690783	Control Lever-Governor
29	499424	Rod-Connecting	238	691300	Cap-Valve
32	691664	Screw (Connecting Rod)	259	691189	Bracket-Casing Clamp
32A	695759	Screw (Connecting Rod)	276	271716	Ø‡Sealing Washer
33	499642	Valve-Exhaust	287	690940	Screw (Dipstick Tube)
34	499641	Valve-Intake	300	697590	Muffler
35	691304	Spring-Valve (Intake)	304	695976	Housing-Blower
36	691304	Spring-Valve (Exhaust)	305	691108	Screw (Blower Housing)
37	694086	Guard-Flywheel	306	691232	Shield-Cylinder
40	692194	Retainer-Valve	307	690345	Screw (Cylinder Shield)
43	691997	Slinger-Governor/Oil	324	695161	Cup/Screen Assembly
45	690977	Tappet-Valve	332	690662	Nut (Flywheel)
46	694039	Camshaft	333	802574	Armature-Magneto
48	692745	Short Block (Replacement Engine 128602-0264-E2) (Transfer Governor Spring to Replacement Engine) (RPM 2750)	334	691061	Screw (Armature Magneto)
			337	692051	Spark Plug
			356	692390	Wire-Stop
			358	694090	Engine Gasket Set
51	692668	•Ø‡+Gasket-Intake	363	19069	Flywheel Puller

KEY NO.	PART NO.	DESCRIPTION	KEY NO.	PART NO.	DESCRIPTION
365	691136	Screw (Carburetor)	883	691893	• Gasket-Exhaust
383	19374	Wrench-Spark Plug	886	696268	Gasket Kit-Cylinder Head/Plate
404	690272	Washer (Governor Crank)	914	691108	Screw (Rocker Cover)
425	690244	Screw (Air Cleaner Cover)	914A	691127	Screw (Rocker Cover)
443	690255	Screw (Air Cleaner Primer Base)	921	691465	Cover-Blower Housing
445	697029	Filter-Air Cleaner Cartridge	922	692135	Spring-Brake
456	692299	Plate-Pawl Friction	923	695891	Brake
459	281505	Pawl-Ratchet	957	692046	Cap-Fuel Tank
478	697623	Panel	966	690243	Base-Air Cleaner Primer
505	691251	Nut (Governor Control Lever)	967	273356	Filter-Pre Cleaner
523	499621	Dipstick	968	691342	Cover-Air Cleaner
524	692296	• Seal-Dipstick Tube	969	691138	Screw (Blower Housing Cover)
525	495265	Tube-Dipstick	972	499618	Tank-Fuel
529	692937	Grommet	975	493640	Bowl-Float
562	92613	Bolt (Governor Control Lever)	976	694395	Primer-Carburetor
584	692342	Cover-Breather Passage	977	692704	Set-Carburetor Gasket
585	691879	• Gasket-Breather Passage	993	694088	+•Gasket-Cylinder Head Plate
592	690800	Nut (Rewind Starter)	1005	691346	Fan-Flywheel
597	691696	Screw (Pawl Friction Plate)	1019	697624	Kit-Label
601	95162	Clamp-Hose	1022	691890	+•Gasket-Rocker Cover
608	497680	Starter-Rewind	1023	499624	Cover-Rocker Arm
613	691108	Screw (Muffler)	1026	692045	Rod-Push
613A	691140	Screw (Muffler)	1029	691230	Arm-Rocker
615	690340	Retainer-Governor Shaft	1034	691343	Guide-Push Rod
616	691308	Crank-Governor	1036	696767	Label-Emission
619	691108	Screw (Cylinder Head Plate)	1058	274979	Owner's Manual
621	692310	Switch-Stop	1059	692311	Kit-Screw/Washer
633	691321	∅‡Seal-Throttle Shaft	1095	694091	Set-Valve Gasket
635	66538	Boot-Spark Plug	1210	498144	Assembly-Pulley/Spring (Pulley)
670	692294	Spacer-Fuel Tank	1211	498144	Assembly-Pulley/Spring (Spring)
684	690345	Screw (Breather Passage Cover)			
689	691855	Spring-Friction			
703	697628	Clip			
718	690959	Pin-Locating	RPM Settings:		Low Speed: 1900 - 2100 High Speed: 3000 - 3200
741	691830	Gear-Timing	•		Included in Engine Gasket Set, Key No. 358
745	691648	Screw (Brake)	∅		Included in Carburetor Overhaul Kit, Key No. 121
830	694544	Stud (Rocker Arm)	‡		Included in Carburetor Gasket Set, Key No. 977
832	691466	Guard-Muffler	+		Included in Valve Gasket Set, Key No. 1095
836	697551	Screw (Muffler Guard)			
836A	691147	Screw (Muffler Guard)			
842	691031	• Seal, O-Ring (Dipstick Tube)			
847	692047	Assembly-Dipstick/Tube			
851	493880	Terminal-Spark Plug			
868	692044	+•Seal-Valve	NOTE:		All component dimensions given in U.S. inches. 1 inch = 25.4 mm.

LIMITED TWO YEAR WARRANTY ON CRAFTSMAN POWER MOWER

For two years from date of purchase, when this Craftsman Lawn Mower is maintained, lubricated, and tuned up according to the operating and maintenance instructions in the owner's manual, Sears will repair free of charge any defect in material or workmanship.

If this Craftsman Lawn Mower is used for commercial or rental purposes, this warranty applies for only 90 days from the date of purchase.

This Warranty does not cover:

- Expendable items which become worn during normal use, such as rotary mower blades, blade adapters, belts, air cleaners and spark plug.
- Repairs necessary because of operator abuse or negligence, including bent crankshafts and the failure to maintain the equipment according to the instructions contained in the owner's manual.

Warranty service is available by returning the Craftsman power mower to the nearest Sears Service Center/Department in the United States. This warranty applies only while this product is used in the United States.

This Warranty gives you specific legal rights, and you may also have other rights which vary from state to state.

Sears, Roebuck and Co., D/817 WA, Hoffman Estates, Illinois 60179

CRAFTSMAN®

00007