

# REPAIR PARTS MANUAL MODEL NUMBER 37122

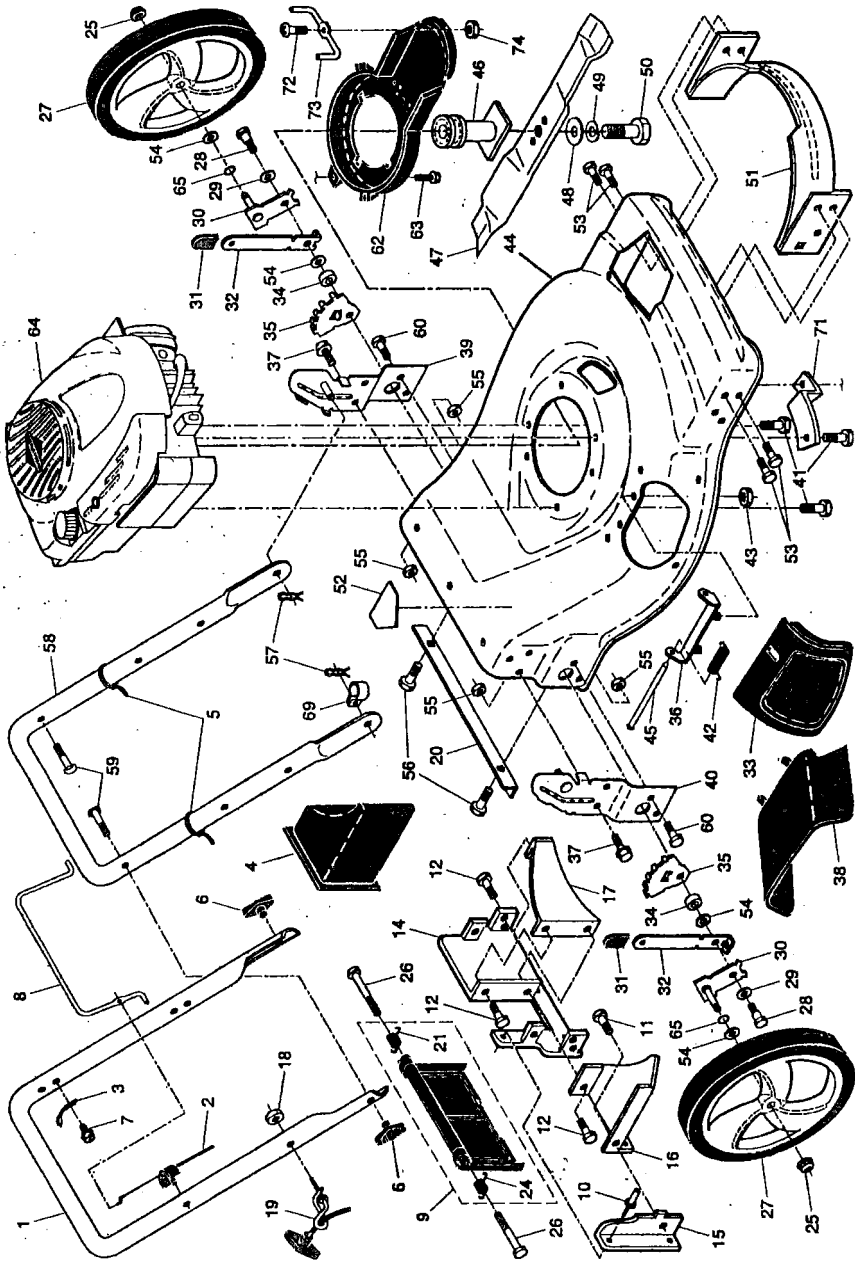
## Rotary Lawn Mower

*6.5 hp B&S 22" Forklifttruck*

*2006*

# CRAFTSMAN®

CRAFTSMAN ROTARY LAWN MOWER - - MODEL NUMBER 371222 (371220)

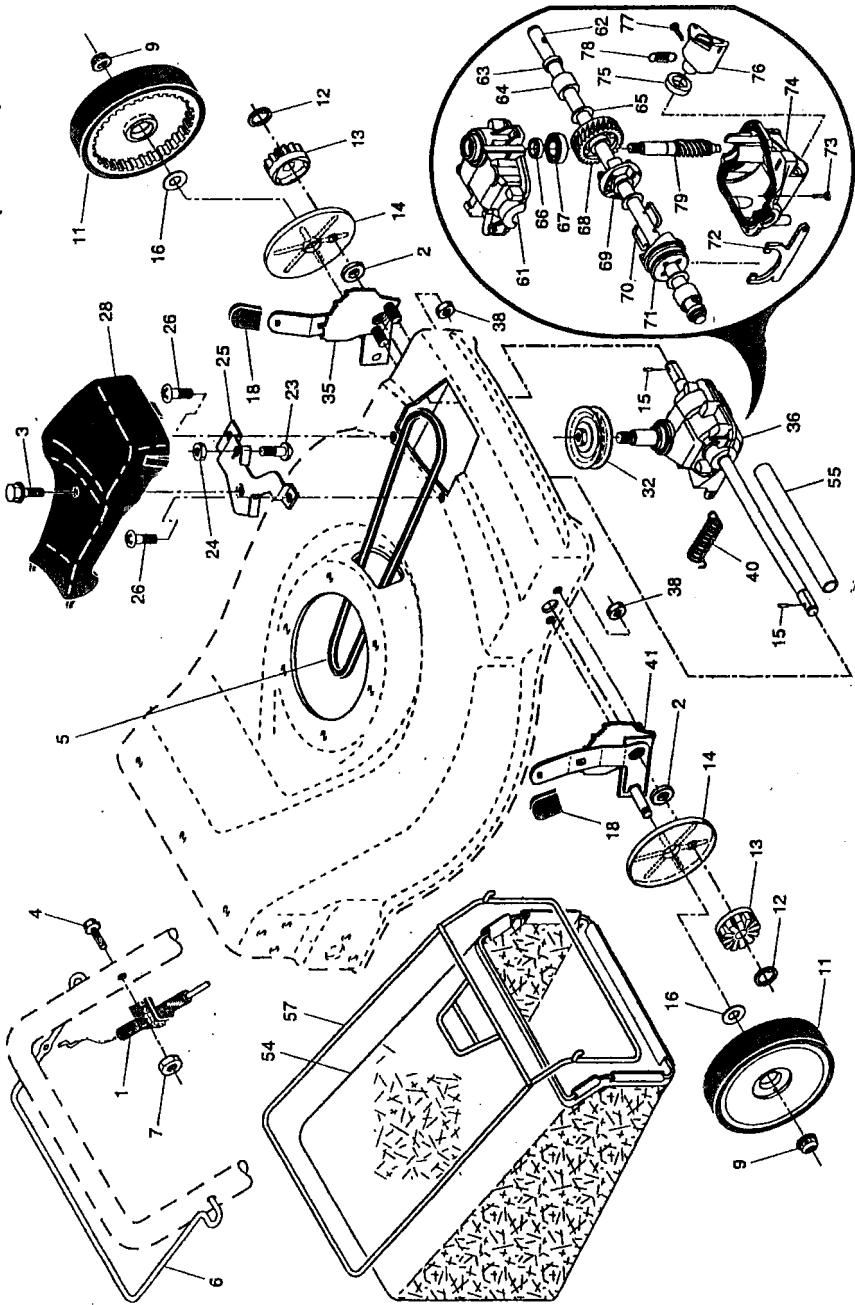


# CRAFTSMAN ROTARY LAWN MOWER - - MODEL NUMBER 37122 (371220)

KEY NO.	PART NO.	DESCRIPTION	KEY NO.	PART NO.	DESCRIPTION
1	194200X479	Upper Handle	53	17600406	Screw, Serrated, Type TT 1/4-20
2	183567	Engine Zone Control Cable	54	88348	Washer, Flat
3	850733X004	Bracket, Upstop	55	751592	Locknut, Hex 3/8-16
4	166649	Mulcher Plug	56	146694	Hinge Screw 1/4-20 x 1-1/4
5	68426	Wire Tie	57	51793	Hairpin Cotter
6	189713X428	Handle Knob	58	151590X479	Lower Handle
7	750634	Screw	59	191574	Handle Bolt
8	194199X428	Control Bar	60	74760612	Bolt, Hex Head 3/8-16 x 3/4
9	193679	Rear Door (Includes Springs)	62	199314	Debris Shield
10	128415	Pop Rivet	63	192325	Screw, Debris Shield
11	150050	Screw, Self-Tapping #10-24 x 5/8	64	---	Engine, Briggs & Stratton, Model Number 124K02-0668-E1
12	54583	Screw, Hex Hex Head, Sems 1/4-20 x 1/2	65	197480	O-Ring
14	195790X479	Back Plate	69	197991	Clip, Cable
15	700365X479	Side Baffle	71	188839X004	Mounting Bracket, Debris Shield
16	176655X479	Discharge Baffle	72	182227	Screw
17	140661X479	Rear Baffle	73	197162	Belt Keeper
18	132004	Keeps Locknut 1/4-20	74	182228	Nut, Hex
19	194788	Rope Guide	--	182134	Warning Decal (Not Shown)
20	146143X479	Foot Guard	--	404389	Operator's Manual, European
21	170938	Spring, Rear Door, LH	--	404390	Operator's Manual, Scandi
24	170939	Spring, Rear Door, RH	--	404391	Repair Parts Manual
25	145212	Nut, Hex, Flanged	Available accessories not included with mower:		
26	184193	Bolt, Rear Door	--	71 33623	Gas Can (2.5 Gallon Container)
27	194387X427	Wheel & Tire Assembly, Rear	--	71 33500	Fuel Stabilizer
28	142748	Bolt, Shoulder 3/8-16 x 1	--	71 33000	SAE 30W Oil (20 Ounce Bottle)
29	61651	Washer, Belleville	Includes Key Number 53		
			Danger Decal		

**NOTE:** All component dimensions given in U.S. inches. 1 inch = 25.4 mm. **IMPORTANT:** Use only Original Equipment Manufacturer (O.E.M.) replacement parts. Failure to do so could be hazardous, damage your lawn mower and void your warranty.

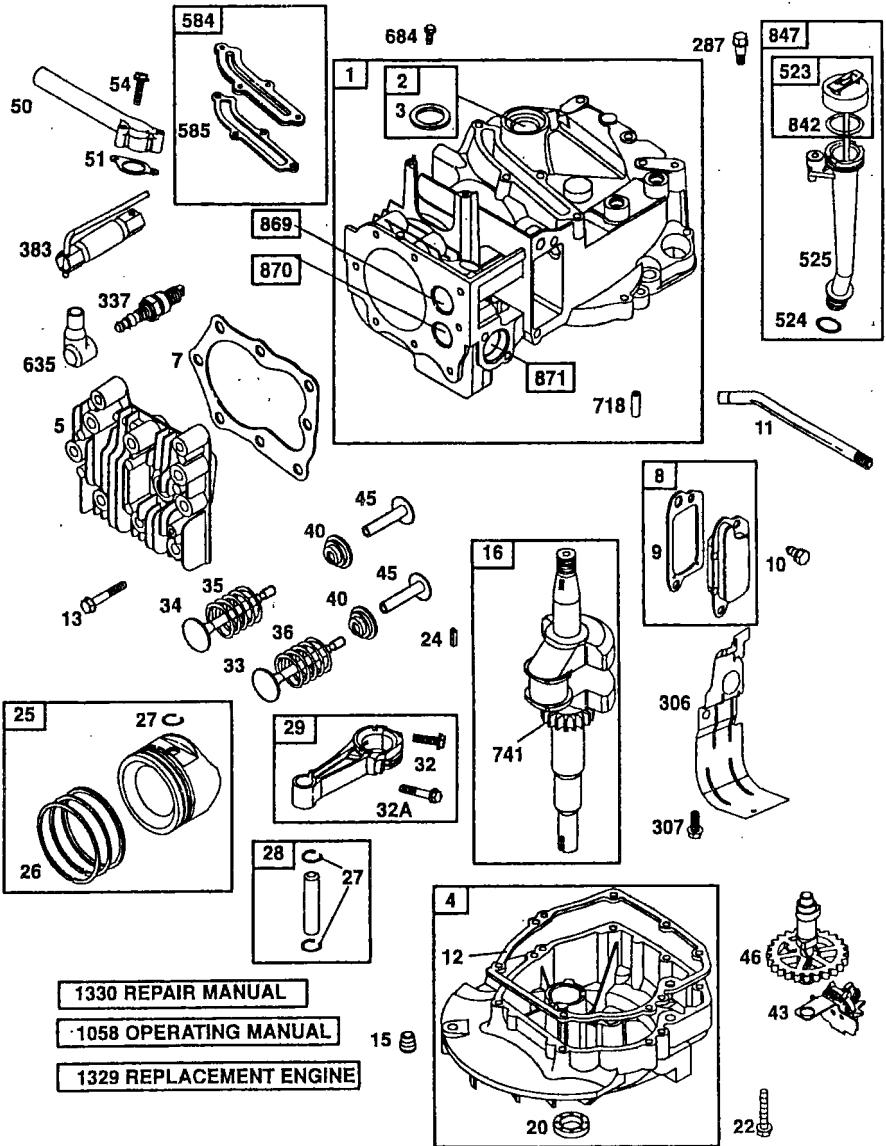
CRAFTSMAN ROTARY LAWN MOWER -- MODEL NUMBER 371222 (371220)



# CRAFTSMAN ROTARY LAWN MOWER - - MODEL NUMBER 37122 (371220)

KEY NO.	PART NO.	DESCRIPTION	KEY NO.	PART NO.	DESCRIPTION
1	193480	Drive Control Assembly (Includes Cable)	40	192849	Spring
3	175262	Pan Head Tapping Screw #10-24 x 2-3/4	41	195107	Kit, Wheel Adjuster, RH (Includes Knob and Bearing)
4	185681	Screw, Hex Washer Head	54	401198	Grassbag Assembly
5	196857	V-Belt	55	86012	Driveshaft Cover
6	194185X615	Bar, Drive Control	57	189680	Frame, Grassbag
7	191730	Nut, Hex, Flangelock	61	196886	Case, Upper
9	83923	Locknut, Hex	62	197057	Shaft, Output
11	194231X427	Wheel & Tire Assembly, Front	63	183508	Seal, Output Shaft
12	12000958	E-Ring	64	183511	Bushing
13	750003	Pinion	65	183509	Washer
14	189403	Dust Cover	66	183514	Seal, Worm Shaft
15	191017	Pawl, Drive	67	183506	Bearing, Ball
16	67725	Washer, Flat 3/8	68	183499	Gear, 27 Teeth
17	191039	Bearing, Wheel Adjuster	69	196884	Fixed Dog Clutch
18	701037	Selector Knob	70	183505	Wireform
23	88652	Screw	71	196883	Movable Dog Clutch
24	191730	Nut, Hex, Flangelock	72	196882	Fork
25	197163X479	Belt Guide Bracket	73	183513	Screw, Case
26	192325	Screw	74	196881	Case, Lower
28	194407X428	Drive Cover	75	196880	Seal, Lever
32	194018	Drive Pulley	76	196879	Lever
35	195110	Kit, Wheel Adjuster, LH (Includes Knob and Bearing)	77	196878	Screw, Lever
36	191636	Gear Case Assembly, Complete	78	196877	Spring
38	73800400	Locknut 1/4-20	79	183502	Shaft, Worm

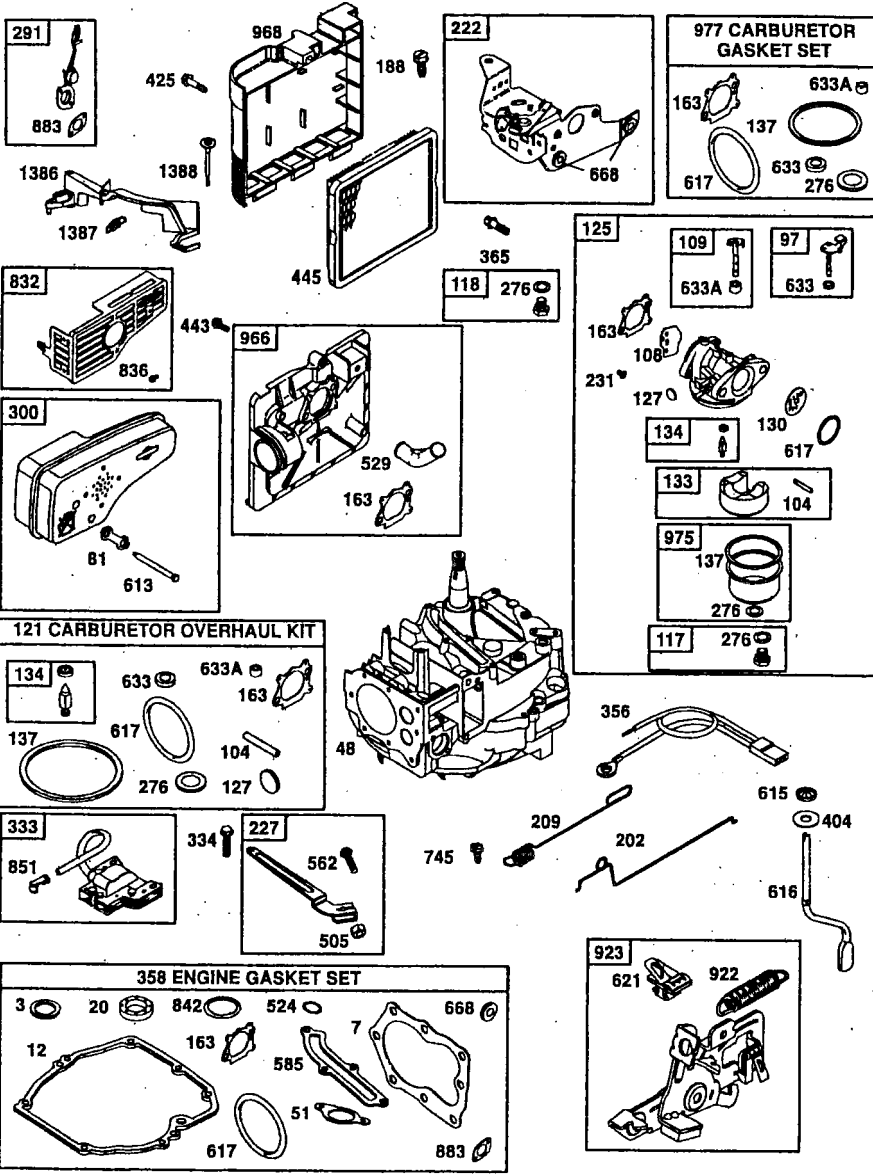
**NOTE:** All component dimensions given in U.S. inches. 1 inch = 25.4 mm. **IMPORTANT:** Use only Original Equipment Manufacturer (O.E.M.) replacement parts. Failure to do so could be hazardous, damage your lawn mower and void your warranty.

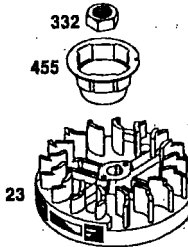
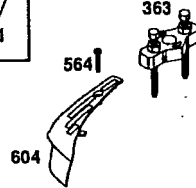
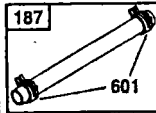
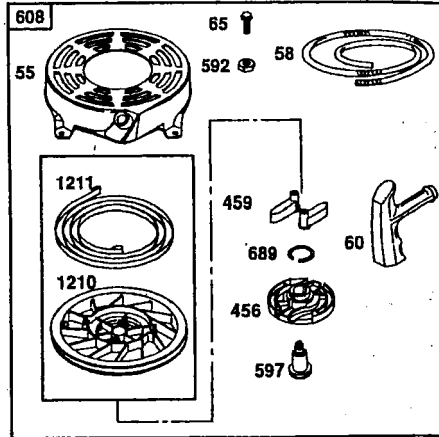
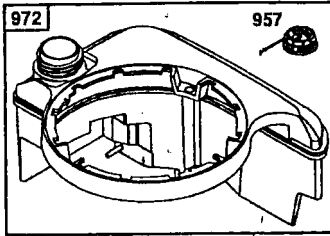
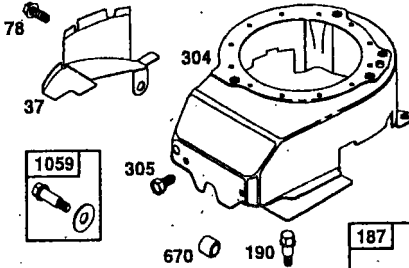
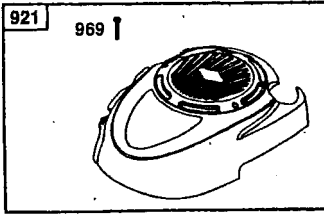


1330 REPAIR MANUAL

1058 OPERATING MANUAL

1329 REPLACEMENT ENGINE





1036 EMISSIONS LABEL

KEY PART NO.	KEY PART NO.	DESCRIPTION	KEY PART NO.	KEY PART NO.	DESCRIPTION
1	697322	Cylinder Assembly	29	499424	Rod-Connecting
2	399269	Kit-Bushing/Seal	32	691664	Screw (Connecting Rod)
3	299819s	Seal-Oil (Magneto Side)	32A	695759	Screw (Connecting Rod)
4	493279	Sump-Engine	33	262651s	Valve-Exhaust
5	691160	Head-Cylinder	34	262652s	Valve-Intake
7	692249	Gasket-Cylinder Head	35	691270	Spring-Valve (Intake)
8	695250	Breather Assembly	36	691270	Spring-Valve (Exhaust)
9	696125	Gasket-Breather	37	694086	Guard-Flywheel
10	691125	Screw (Breather Assembly)	40	692194	Retainer-Valve
11	691781	Tube-Breather	43	691997	Slinger-Governor/Oil
12	692232	Gasket-Crankcase	45	690548	Tappet-Valve
13	690912	Screw (Cylinder Head)	46	691449	Camshaft
15	691680	Plug-Oil Drain	48	498829	Short Block
16	691450	Crankshaft	50	497465	Manifold-Intake
20	399781s	Seal-Oil (PTO Side)	51	272199s	Gasket-Intake
22	691092	Screw (Engine Sump)	54	691650	Screw (Intake Manifold)
23	691987	Flywheel	55	691421	Housing-Rewind Starter
24	222698s	Key-Flywheel	58	697316	Rope-Starter (Cut to Fit)
25	790359	Piston Assembly (Standard)	60	281434s	Grip-Starter Rope
	791326	Piston Assembly (.020" Oversize)	65	690837	Screw (Rewind Starter)
26	790360	Ring Set (Standard)	78	691108	Screw (Flywheel Guard)
	791324	Ring Set (.020" Oversize)	81	691740	Lock-Muffler Screw
27	691866	Lock-Piston Pin	97	696565	Shaft-Throttle
28	499423	Pin-Piston	104	691242	Pin-Float Hinge
			108	790844	Valve-Choke



**BRIGGS & STRATTON 4-CYCLE ENGINE**

**MODEL NUMBER 124K02-0668-B1**

KEY NO.	PART NO.	DESCRIPTION	KEY NO.	PART NO.	DESCRIPTION
109	790843	Shaft-Choke	615	690340	Retainer-Governor Shaft
117	498978	Jet-Main (Standard)	616	698801	Crank-Governor
118	494870	Jet-Main (High Altitude)	617	270344s • ‡	Seal (Intake Manifold)
121	498260	Kit-Carburetor Overhaul	621	692310	Switch-Stop
125	790845	Carburetor	633	691321 Ø ‡	Seal-Shaft, Throttle
127	694468 Ø	Plug-Weich	633A	693867 Ø ‡	Seal-Shaft, Choke
130	696564	Valve-Throttle	635	66538s	Boot-Spark Plug
133	398187	Floater-Carburetor	668	493823 •	Spacer (Includes 2)
134	398188 Ø ‡	Valve-Needle/Seat	670	692294	Spacer-Fuel Tank
137	693981 Ø ‡	Gasket-Floater Bowl	684	690345	Screw (Breather Cover)
163	272653s • ‡	Gasket-Air Cleaner	689	691855	Spring-Friction
187	791766	Line-Fuel (Cut to Fit)	718	690959	Pin-Locating
188	690877	Screw (Control Bracket)	741	790345	Gear-Timing
190	690940	Screw (Fuel Tank)	745	691648	Screw (Brake)
202	691829	Link-Mechanical Governor	832	499034	Guard-Muffler
209	691292	Spring-Governor	836	690664	Screw (Muffler Guard)
222	791128	Bracket-Control	842	691031 •	Seal-O Ring (Dipstick Tube)
227	690783	Control Lever-Governor	847	692047	Assembly-Dipstick/Tube
231	691636	Screw (Choke Shaft)	851	493880s	Terminal-Spark Plug
276	271716 Ø ‡	Washer-Sealing	869	691155	Seat-Valve (Intake)
287	690940	Screw (Dipstick Tube)	870	690380	Seat-Valve (Exhaust)
291	790830	Thermostat	871	282001	Bushing-Guide (Exhaust)
300	790828	Muffler		63709	Bushing-Guide (Intake)
304	790826	Housing-Blower	883	691881 •	Gasket-Exhaust
305	691108	Screw (Blower Housing)	921	698587	Cover-Blower Housing
306	790835	Shield-Cylinder	922	692135	Spring-Brake
307	690345	Screw (Cylinder Shield)	923	695891	Brake
332	690662	Nut (Flywheel)	957	699985	Cap-Fuel Tank
333	802574	Armature-Magneto	966	792040	Base-Air Cleaner Primer
334	691061	Screw (Armature Magneto)	968	692298	Cover-Air Cleaner
337	802592s	Plug-Spark	969	690700	Screw (Blower Cover)
356	692390	Wire-Stop	972	699374	Tank-Fuel
358	497316	Gasket Set-Engine	975	493640	Bowl-Floater
363	19069	Puller-Flywheel	977	498261	Set-Carburetor Gasket
365	692524	Screw (Carburetor)	1036	792509	Label-Emissions
383	89838s	Wrench-Spark Plug	1058	276171	Manual-Operating
404	690272	Washer (Governor Crank)	1059	692311	Kit-Screw/Washer
425	690670	Screw (Air Cleaner Cover)	1210	498144	Pulley/Spring Assy. (Pulley)
443	692523	Screw (Air Cleaner Base)	1211	498144	Pulley/Spring Assy. (Spring)
445	491588s	Filter-Air Cleaner Cartridge	1329	123K02-0625	Replacement Engine
455	791960	Cup-Flywheel			(Transfer Muffler and/or Spark Arrester
456	692299	Plate-Pawl Friction			Assembly from the original engine if
459	281505s	Pawl-Ratchet			suitable or add new parts as required)
505	691251	Nut (Gov. Control Lever)	1330	270962	Repair Manual
523	499621	Dipstick	1386	790848	Vane-Air
524	692296 •	Seal-Dipstick Tube	1387	790849	Spring-Air Vane
525	495265	Tube-Dipstick	1388	790850	Screw (Air Vane)
529	691923	Grommet	--	398067	Spark Arrester
562	691119	Bolt (Gov. Control Lever)			(available accessory)
564	698589	Screw (Control Cover)			
584	697734	Cover-Breather Passage			• Included in Engine Gasket Set, Key No. 358
585	691879 •	Gasket-Breather Passage			
592	690800	Nut (Rewind Starter)			Ø Included in Carb. Overhaul Kit, Key No. 121
597	691696	Screw (Pawl Friction Plate)			
601	791850	Clamp-Hose			‡ Included in Carb. Gasket Set, Key No. 977
604	698588	Cover-Control			
608	497680	Starter-Rewind			
613	790833	Screw (Muffler)			

**NOTE:** All component dimensions given in U.S. Inches. 1 Inch = 25.4 mm

## SERVICE NOTES

## SERVICE NOTES

## **2-YEAR FULL WARRANTY ON CRAFTSMAN LAWN MOWER**

If this Craftsman Lawn Mower fails due to manufacturer defects in material or workmanship within two years from the date of purchase, return it to any Sears store, Parts & Repair Center or other Craftsman outlet for free repair (or replacement if repair proves impossible).

This warranty applies for only 90 days from the date of purchase if this Lawn Mower is ever used for commercial or rental purposes.

This warranty does not cover:

- Expendable items that become worn during normal use, such as rotary mower blades, blade adapters, belts, air cleaners and spark plug.
- Repairs necessary because of operator abuse or negligence, including bent crackshafts and the failure to assemble, operate or maintain this Lawn Mower according to all supplied product instructions.

This warranty applies only while this product is used in the United States.

This warranty gives you specific legal rights, and you may also have other rights which vary from state to state.

**Sears, Roebuck and Co., Hoffman Estates, IL 60179**

**CRAFTSMAN®**