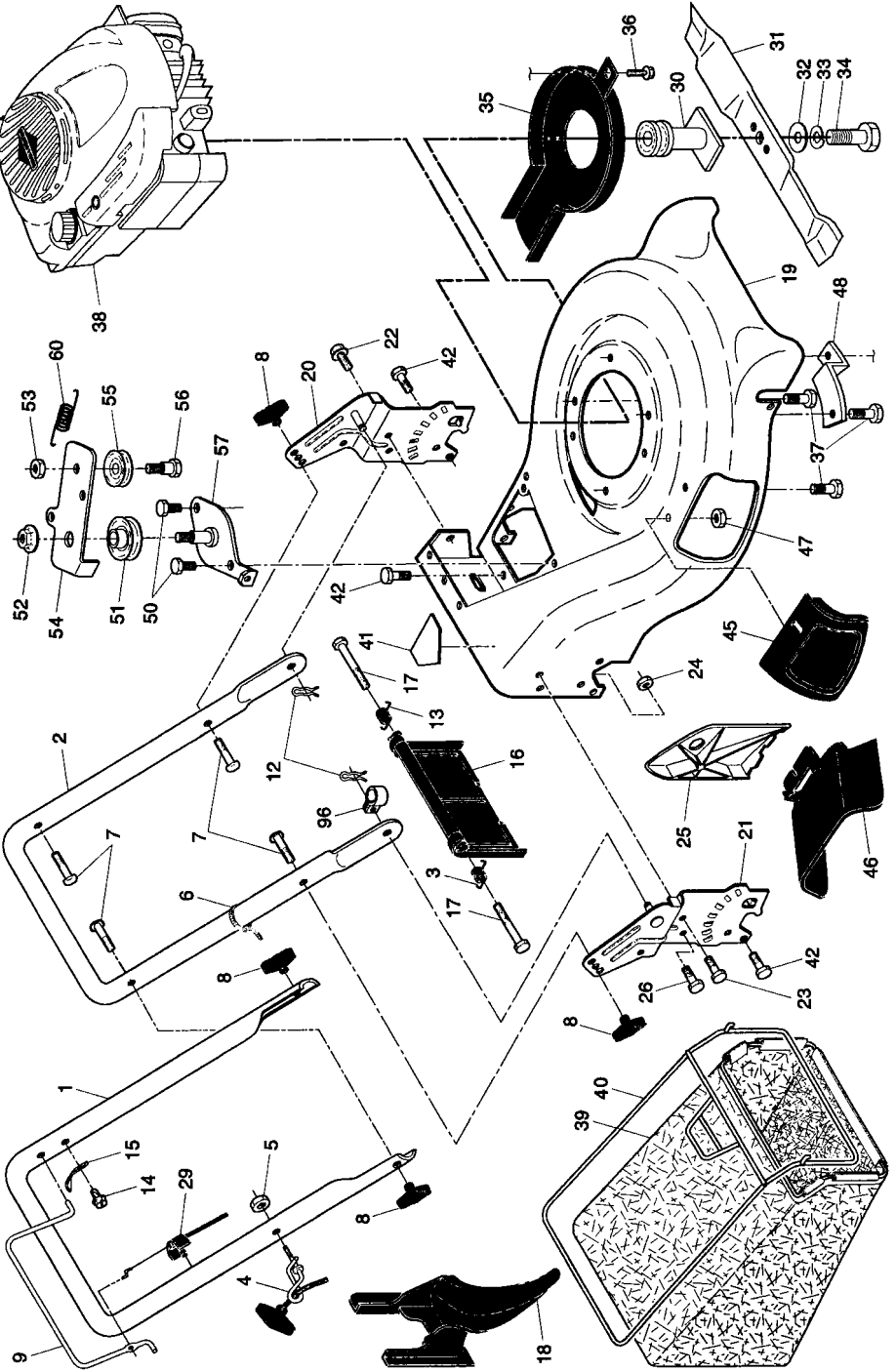


**REPAIR PARTS MANUAL**  
**MODEL NUMBER 37123**  
**Rotary Lawn Mower**

---

**CRAFTSMAN®**

**CRAFTSMAN ROTARY LAWN MOWER - - MODEL NUMBER 37123 (371230)**

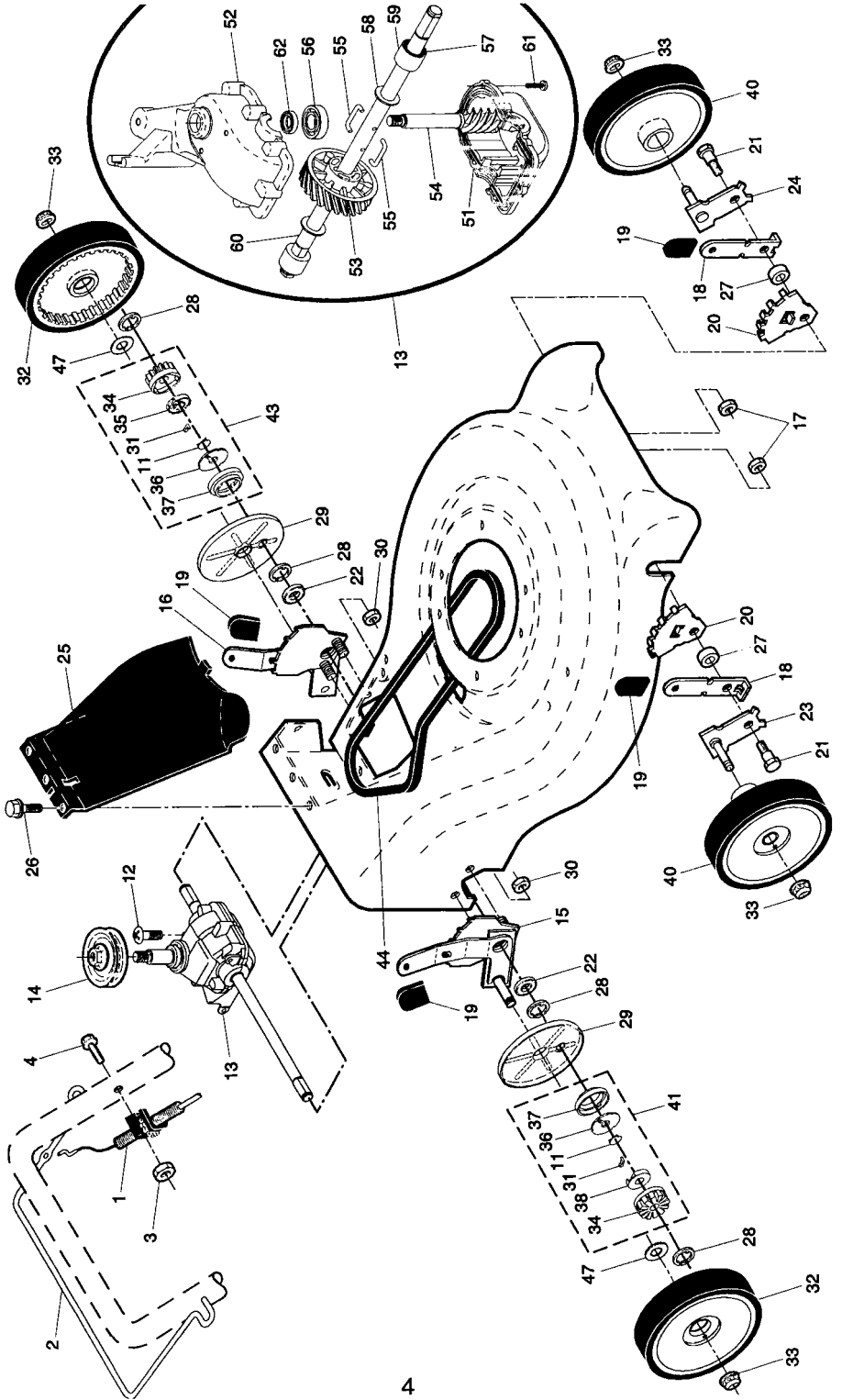


# CRAFTSMAN ROTARY LAWN MOWER -- MODEL NUMBER 37123 (371230)

KEY NO.	PART NO.	DESCRIPTION	KEY NO.	PART NO.	DESCRIPTION
1	194203X479	Handle, Upper	33	850263	Washer, Lock
2	193664X479	Handle, Lower	34	851084	Bolt, Hex Head
3	186053	Spring, Rear Door, RH	35	188786	Debris Shield
4	194788	Rope Guide	36	192325	Bolt
5	132004	Nut, Hex, with Lockwasher Insert	37	150406	Bolt, Engine
6	66426	Wire, Tie	38	---	Engine, Briggs & Stratton, Model Number 124K02-0669-B1
7	191574	Bolt, Handle 5/16-18 x 2-5/8	39	401756	Grassbag
8	189713X428	Knob, Handle	40	194644	Frame, Grassbag
9	194199X428	Control Bar	41	182166	Danger Decal
12	51793	Cotter, Hairpin	42	54583	Screw
13	186052	Spring, Rear Door, LH	45	183058X428	Mulcher Door Assembly
14	750634	Screw	46	169699X428	Discharge Guard
15	850733X004	Bracket, Upstop	47	88349	Nut, Hex
16	185855X428	Rear Door Assembly	48	188639X004	Mounting Bracket, Debris Shield
17	184193	Bolt, Rear Door	50	57808	Screw
18	198170	Plug, Mulcher	51	193791	Pulley, Idler
19	197326	Kit, Housing	52	145212	Flanged Nut
20	192980X479	Handle Bracket Asembly, LH	53	155552	Locknut
21	192979X479	Handle Bracket Asembly, RH	54	193792X004	Idler Arm
22	150078	Screw, Hex Washer Head	55	166043	Idler Pulley
23	163183	Bolt, Hex Head 5/16-18 x 5/8	56	160829	Shoulder Bolt
24	73800500	Nut, Hex, with Lockwasher Insert 5/16-18	57	193315	Bracket Assembly
25	161333	Baffle, Side	60	182226	Spring, Return
26	163409	Screw #12 x 5/8	96	197991	Clip, Cable
29	191221	Cable, Engine Zone Control	--	182134	Warning Decal (not shown)
30	189179	Blade Adapter / Pulley	--	404392	Operator's Manual, European
31	199377	Blade, 21"	--	404393	Operator's Manual, Scandinavian
32	851074	Washer	--	404394	Repair Parts Manual

**JTE:** All component dimensions given in U.S. inches. 1 inch = 25.4 mm. **IMPORTANT:** Use only Original Equipment Manufacturer (O.E.M.) replacement parts. Failure to do so could be hazardous, damage your lawn mower and void your warranty.

**CRAFTSMAN ROTARY LAWN MOWER -- MODEL NUMBER 37123 (371230)**

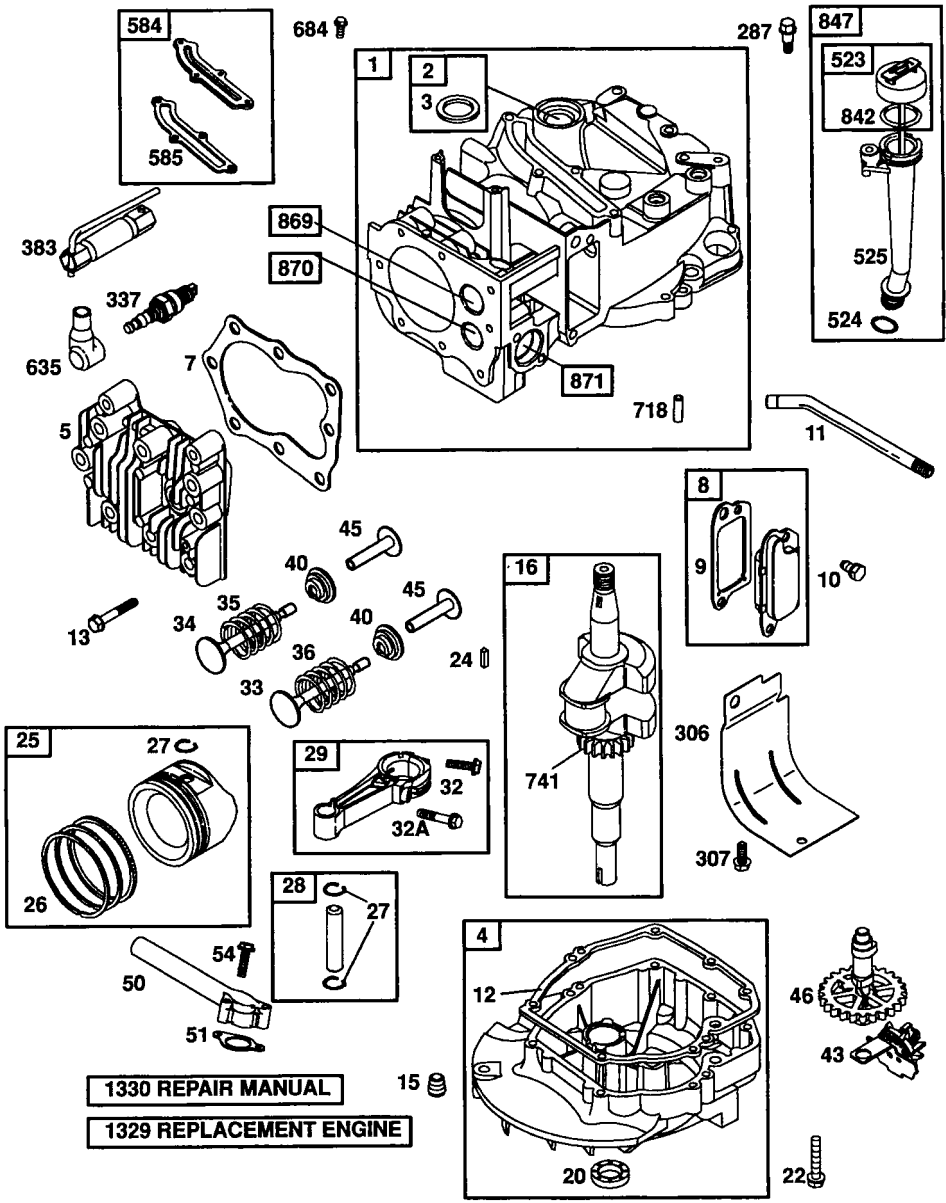


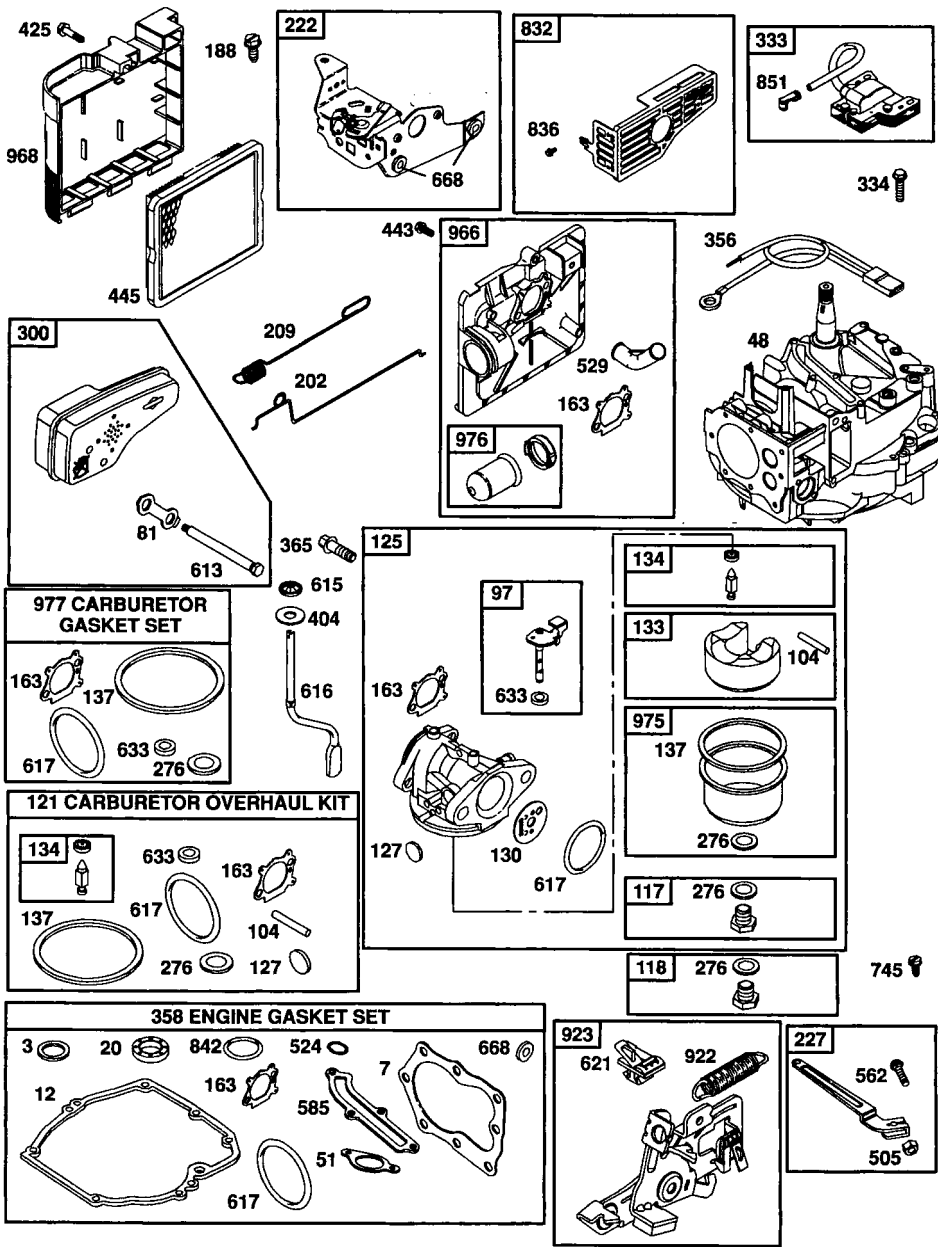
# CRAFTSMAN ROTARY LAWN MOWER - - MODEL NUMBER 37123 (371230)

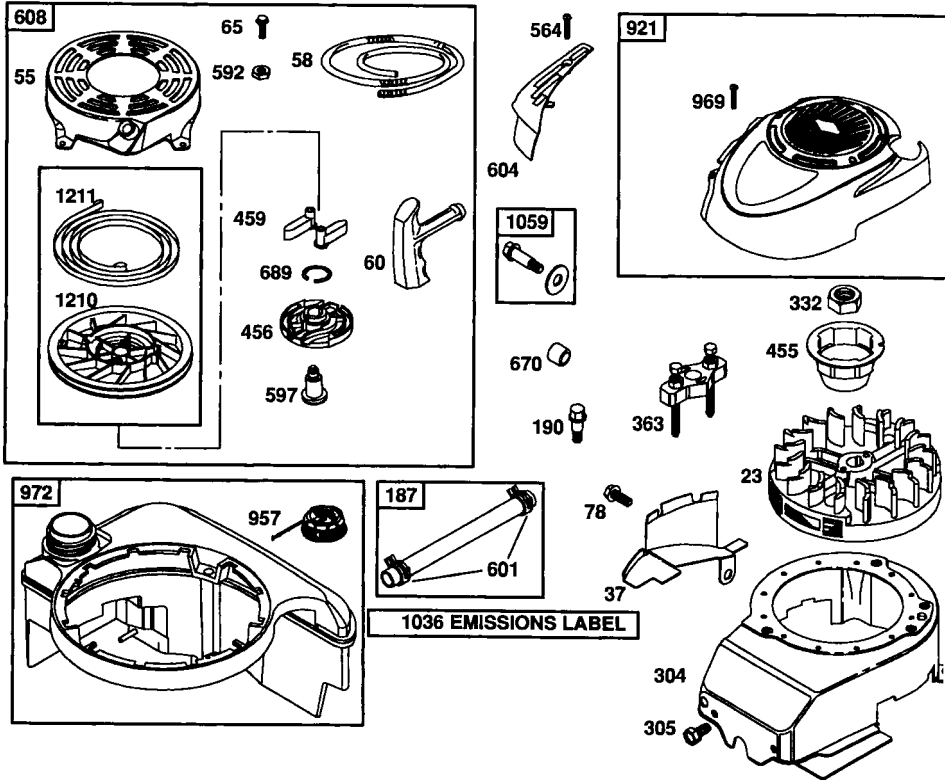
KEY NO.	PART NO.	DESCRIPTION	KEY NO.	PART NO.	DESCRIPTION
1	189181	Drive Control Assembly (Includes Cable)	31	175098	Pawl
2	194185X615	Control Bar, Drive	32	194231X427	Wheel & Tire Assembly, Rear 8 x 1-3/4
3	191730	Nut, Hex 1/4-20	33	83923	Nut, Flangelock 3/8-16
4	185681	Screw	34	175103	Gear
11	188291	Spring, Torsion	35	175105	Retainer, Drive, LH
12	187653	Screw	36	175104	Disc, Drive
13	193354	Gear Case Assembly, Complete	37	184172	Seal, Friction
14	193443	Pulley, Drive	38	175102	Retainer, Drive, RH
15	197235	Kit, Wheel Adjuster Assembly, RH (Includes Knob and Bearing)	40	400246X427	Wheel & Tire Assembly, Front 8 x 1-3/4
16	197234	Kit, Wheel Adjuster Assembly, LH (Includes Knob and Bearing)	41	188330	Pinion Assembly, RH
17	166785	Nut, Hex	43	188331	Pinion Assembly, LH
18	168360X004	Spring, Selector	44	183688	V-Belt
19	701037	Knob, Selector Spring	47	67725	Washer
20	160835X007	Bracket, Wheel Adjusting	51	187530	* Case, Lower
21	160828	Bolt, Shoulder, Hex Head	52	187531	* Case, Upper
22	169911	Bearing, Ball	53	187532	Gear, 24 Teeth
23	186578X004	Axle Arm Assembly, RH	54	187533	Shaft, Input
24	186577X004	Axle Arm Assembly, LH	55	183505	Wire, Formed
25	199775X428	Cover Drive	56	183506	Bearing, Ball
26	750634	Screw, Threaded, Rolled #10-25 x .50	57	183508	Seal, Output Shaft
27	183901	Spacer	58	183509	Washer
28	12000058	E-Ring 7/16	59	183511	Bushing
29	189403	Cover, Dust, Wheel	60	197385	Shaft, Output
30	73800400	Nut, Hex	61	183513	Screw
			62	183514	Seal, Input Shaft

\* Use Dow Corning #709 to reseal Gear Case Halves.

**TE:** All component dimensions given in U.S. inches. 1 inch = 25.4 mm. **IMPORTANT:** Use only Original Equipment Manufacturer (O.E.M.) replacement parts. Failure to do so could be hazardous, damage your lawn mower and void your warranty.







**KEY PART**

NO.	NO.	DESCRIPTION
1	697322	Cylinder Assembly
2	399269	Kit-Bushing/Seal
3	299819s•	Seal-Oil (Magneto Side)
4	493279	Sump-Engine
5	691160	Head-Cylinder
7	692249 •	Gasket-Cylinder Head
8	695250	Breather Assembly
9	696125	Gasket-Breather
10	691125	Screw (Breather Assembly)
11	691781	Tube-Breather
12	692232 •	Gasket-Crankcase
13	690912	Screw (Cylinder Head)
15	691680	Plug-Oil Drain
16	691450	Crankshaft
20	399781s•	Seal-Oil (PTO Side)
22	691092	Screw (Engine Sump)
23	691987	Flywheel
24	222698s	Key-Flywheel
25	790359	Piston Assembly (Standard)
	791326	Piston Assembly (.020" Oversize)
26	790360	Ring Set (Standard)
	791324	Ring Set (.020" Oversize)

**KEY PART**

NO.	NO.	DESCRIPTION
27	691866	Lock-Piston Pin
28	499423	Pin-Piston
29	499424	Rod-Connecting
32	691664	Screw (Connecting Rod)
32A	695759	Screw (Connecting Rod)
33	262651s	Valve-Exhaust
34	262652s	Valve-Intake
35	691270	Spring-Valve (Intake)
36	691270	Spring-Valve (Exhaust)
37	694086	Guard-Flywheel
40	692194	Retainer-Valve
43	691997	Slinger-Governor/Oil
45	690548	Tappet-Valve
46	691449	Camshaft
48	498829	Short Block
50	497465	Manifold-Intake
51	272199s•	Gasket-Intake
54	691650	Screw (Intake Manifold)
55	691421	Housing-Rewind Starter
58	697316	Rope-Starter (Cut to Fit)
60	281434s	Grip-Starter Rope
65	690837	Screw (Rewind Starter)
78	691108	Screw (Flywheel Guard)



KEY NO.	PART NO.	DESCRIPTION
81	691740	Lock-Muffler Screw
97	696565	Shaft-Throttle
104	691242	Ø Pin-Float Hinge
117	494870	Jet-Main (Standard)
118	498667	Jet-Main (High Altitude)
121	498260	Kit-Carburetor Overhaul
125	790821	Carburetor
127	694468	Ø Plug-Welch
130	696564	Valve-Throttle
133	398187	Float-Carburetor
134	398188	Ø Valve-Needle/Seat
163	272653s	•Ø‡ Gasket-Air Cleaner
187	791766	Line-Fuel (Cut to Fit)
188	693399	Screw (Control Bracket)
190	690940	Screw (Fuel Tank)
202	691829	Link-Mechanical Governor
209	691292	Spring-Governor
222	791128	Bracket-Control
227	690783	Control Lever-Governor
276	271716	Ø‡ Sealing Washer
287	690940	Screw (Dipstick Tube)
300	692038	Muffler
304	695892	Housing-Blower
305	691108	Screw (Blower Housing)
306	690450	Shield-Cylinder
307	690345	Screw (Cylinder Shield)
332	690662	Nut (Flywheel)
333	790817	Armature-Magneto
334	691061	Screw (Armature Magneto)
337	697451	Plug-Spark
356	692390	Wire-Stop
358	497316	Engine Gasket Set
363	19069	Flywheel Puller
365	692524	Screw (Carburetor)
383	89838s	Wrench-Spark Plug
404	690272	Washer (Governor Crank)
425	690670	Screw (Air Cleaner Cover)
443	692523	Screw (Air Cleaner Base)
445	491588s	Filter-Air Cleaner Cartridge
455	791960	Cup-Flywheel
456	692299	Plate-Pawl Friction
459	281505s	Pawl-Ratchet
505	691251	Nut (Gov. Control Lever)
523	499621	Dipstick
524	692296	• Seal-Dipstick Tube
525	495265	Tube-Dipstick
529	691923	Grommet
562	691119	Bolt (Gov. Control Lever)
564	698589	Screw (Control Cover)
584	697734	Cover-Breather Passage
585	691879	• Gasket-Breather Passage
592	690800	Nut (Rewind Starter)
597	691696	Screw (Pawl Friction Plate)

KEY NO.	PART NO.	DESCRIPTION
601	791850	Clamp-Hose
604	698588	Cover-Control
608	497680	Starter-Rewind
613	691340	Screw (Muffler)
615	690340	Retainer-Governor Shaft
616	698801	Crank-Governor
617	270344	•Ø‡ Seal-Intake Manifold
621	692310	Switch-Stop
633	691321	Ø‡ Seal-Throttle Shaft
635	66538s	Boot-Spark Plug
668	493823	• Spacer (Includes 2)
670	692294	Spacer-Fuel Tank
684	690345	Screw (Breather Cover)
689	691855	Spring-Friction
718	690959	Pin-Locating
741	790345	Gear-Timing
745	691648	Screw (Brake)
832	499034	Guard-Muffler
836	690664	Screw (Muffler Guard)
842	691031	• Seal-O Ring (Dipstick Tube)
847	692047	Assembly-Dipstick/Tube
851	493880s	Terminal-Spark Plug
869	691155	Seat-Valve (Intake)
870	690380	Seat-Valve (Exhaust)
871	262001	Bushing-Guide (Exhaust)
	63709	Bushing-Guide (Intake)
921	698587	Cover-Blower Housing
922	692135	Spring-Brake
923	695891	Brake
957	699985	Cap-Fuel Tank
966	792040	Base-Air Cleaner Primer
968	692298	Cover-Air Cleaner
969	690700	Screw (Blower Cover)
972	699374	Tank-Fuel
975	493640	Bowl-Float
976	496115	Primer-Carburetor
977	498261	Set-Carburetor Gasket
1036	792509	Label-Emissions
1059	692311	Kit-Screw/Washer
1210	498144	Pulley/Spring Assy. (Pulley)
1211	498144	Pulley/Spring Assy. (Spring)
1329	123K02-0525	Replacement Engine (Transfer Muffler and/or Spark Arrester Assembly from the original engine if suitable or add new parts as required)
1330	270962	Repair Manual
--	398067	Spark Arrester (available accessory)
		• Included in Engine Gasket Set, Key No. 358
		Ø Included in Carb. Overhaul Kit, Key No. 121
		‡ Included in Carb. Gasket Set, Key No. 977
		<b>NOTE:</b> All component dimensions given in U.S. inches. 1 inch = 25.4 mm

## SERVICE NOTES



## **2-YEAR FULL WARRANTY ON CRAFTSMAN LAWN MOWER**

If this Craftsman Lawn Mower fails due to manufacturer defects in material or workmanship within two years from the date of purchase, return it to any Sears store, Parts & Repair Center or other Craftsman outlet for free repair (or replacement if repair proves impossible).

This warranty applies for only 90 days from the date of purchase if this Lawn Mower is ever used for commercial or rental purposes.

This warranty does not cover:

- Expendable items that become worn during normal use, such as rotary mower blades, blade adapters, belts, air cleaners and spark plug.
- Repairs necessary because of operator abuse or negligence, including bent crackshafts and the failure to assemble, operate or maintain this Lawn Mower according to all supplied product instructions.

This warranty applies only while this product is used in the United States.

This warranty gives you specific legal rights, and you may also have other rights which vary from state to state.

**Sears, Roebuck and Co., Hoffman Estates, IL 60179**

**CRAFTSMAN®**