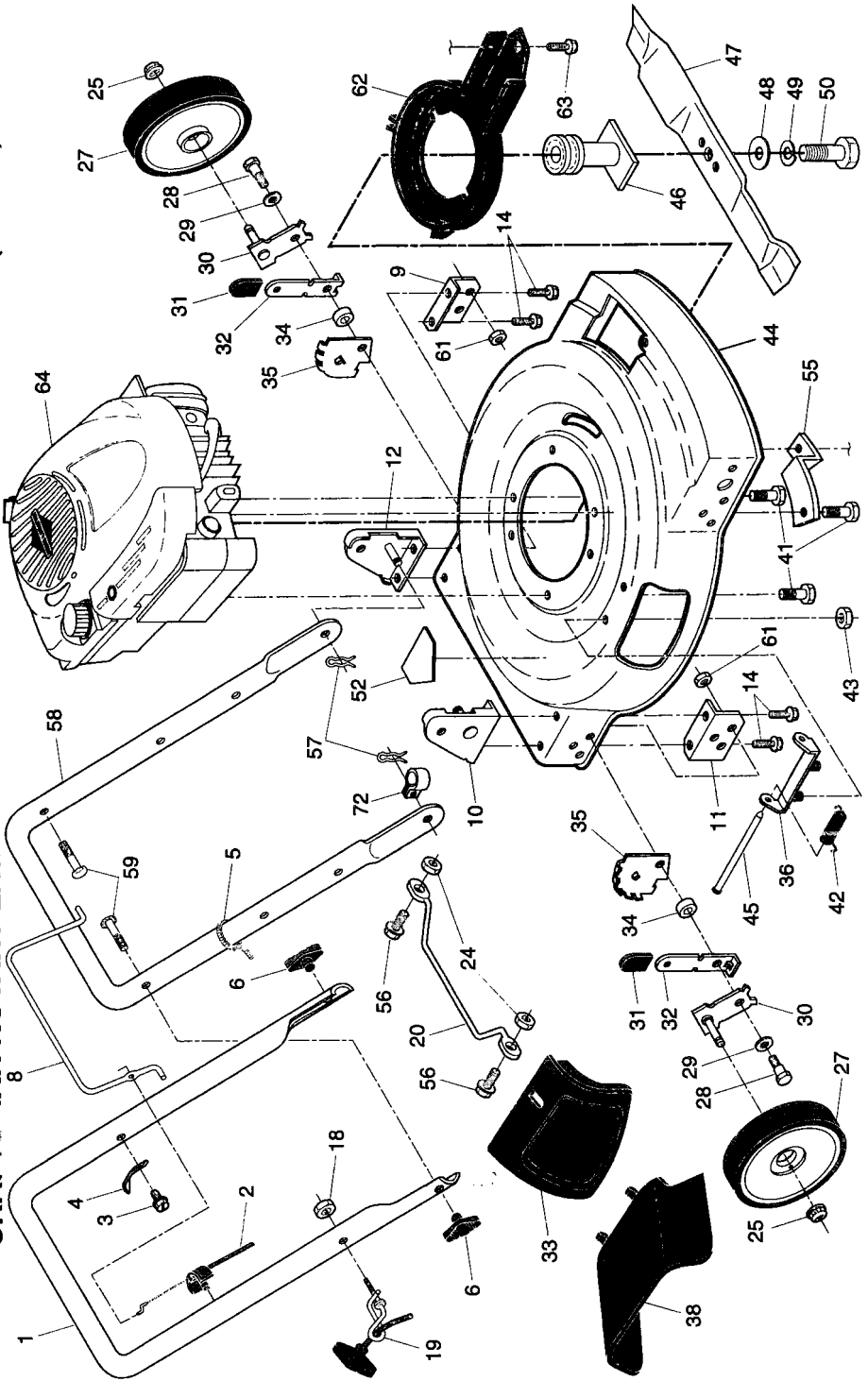


REPAIR PARTS MANUAL
MODEL NUMBER 37125
Rotary Lawn Mower



CRAFTSMAN ROTARY LAWN MOWER -- MODEL NUMBER 37125 (371250)

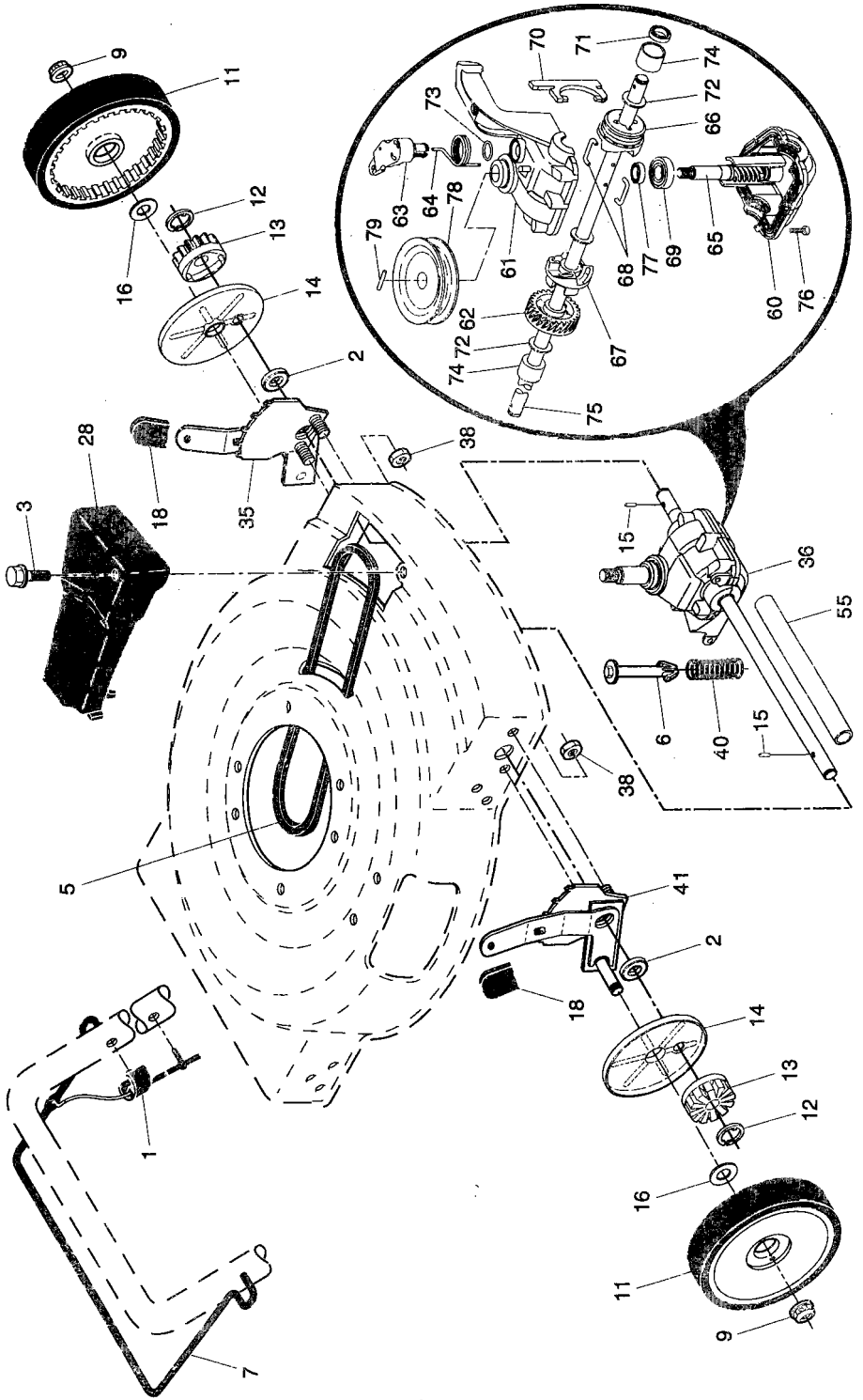


CRAFTSMAN ROTARY LAWN MOWER - - MODEL NUMBER 37125 (371250)

KEY NO.	PART NO.	DESCRIPTION	KEY NO.	PART NO.	DESCRIPTION	KEY NO.	PART NO.	DESCRIPTION
1	194200X479	Upper Handle	29	62335	Belleville Washer	56	85825	Screw, Hex Washer Head #10-24 x 1/2
2	183567	Engine Zone Control Cable	30	145935X004	Axle Arm Assembly	57	51793	Hairpin Cotter
3	750634	Screw	31	87877	Knob, Selector	58	151590X479	Lower Handle
4	850733X004	Bracket, Upstop	32	700331X004	Spring, Selector	59	191574	Handle Bolt
5	66426	Wire Tie	33	151889	Mulcher Door	61	751592	Locknut, Hex
6	189713X428	Handle Knob	34	146630	Spacer	62	188784	Debris Shield
8	194199X428	Control Bar	35	750085X007	Bracket, Wheel Adjuster	63	192325	Screw
9	153282X479	Support Bracket,	36	154132	Bracket, Housing	64	---	Engine, Briggs & Stratton, Model Number 12H802-2019-B1 (See Breakdown)
10	170345X479	Handle, LH	38	176509	Deflector, Discharge			Clip, Cable
		Handle Bracket	41	150406	Screw, Hex Head, Threaded, Rolled 3/8-16 x 1-1/8	72	197991	Warning Decal (not shown)
		Assembly, RH	42	152124	Spring, Torsion	--	182166	Operator's Manual, European
ω	11	Support Bracket,	43	73800400	Locknut, Hex 1/4-20	--	404756	Operator's Manual, Scandinavian
		Handle, RH	44	404762	Lawn Mower Housing (Includes Key Number 46)			Repair Parts Manual
		Handle Bracket	45	147286	Rod, Hinge			Available accessories not included with lawn mower
		Assembly, LH	46	189179	Blade Adapter / Pulley	--	71 33623	Gas Can (2.5 Gallon container)
		Screw, Thread Cutting 5/16-18 x 3/4	47	199379	Blade, 22"	--	71 33500	Fuel Stabilizer
18	132004	Locknut, Keps	48	851074	Washer, Hardened	--	71 33000	SAE 30W Oil (20 Ounce bottle)
19	194788	Rope Guide	49	850263	Washer, Lock, Helical	--	71 33072	Grass Catcher
20	154147	Footguard	50	851084	Screw, Hex Head, Grade 8 3/8-24 x 1-3/8			
24	69180	Nut, Hex	52	182134	Decal, Danger			
25	83923	Locknut, Hex 3/18-16	55	188839X004	Mounting Bracket, Debris Shield			
27	400246X460	Wheel & Tire Assembly						
28	142748	Shoulder Bolt						

NOTE: All component dimensions given in U.S. inches. 1 inch = 25.4 mm. **IMPORTANT:** Use only Original Equipment Manufacturer (O.E.M.) replacement parts. Failure to do so could be hazardous, damage your lawn mower and void your warranty.

CRAFTSMAN ROTARY LAWN MOWER - - MODEL NUMBER 37125 (371250)

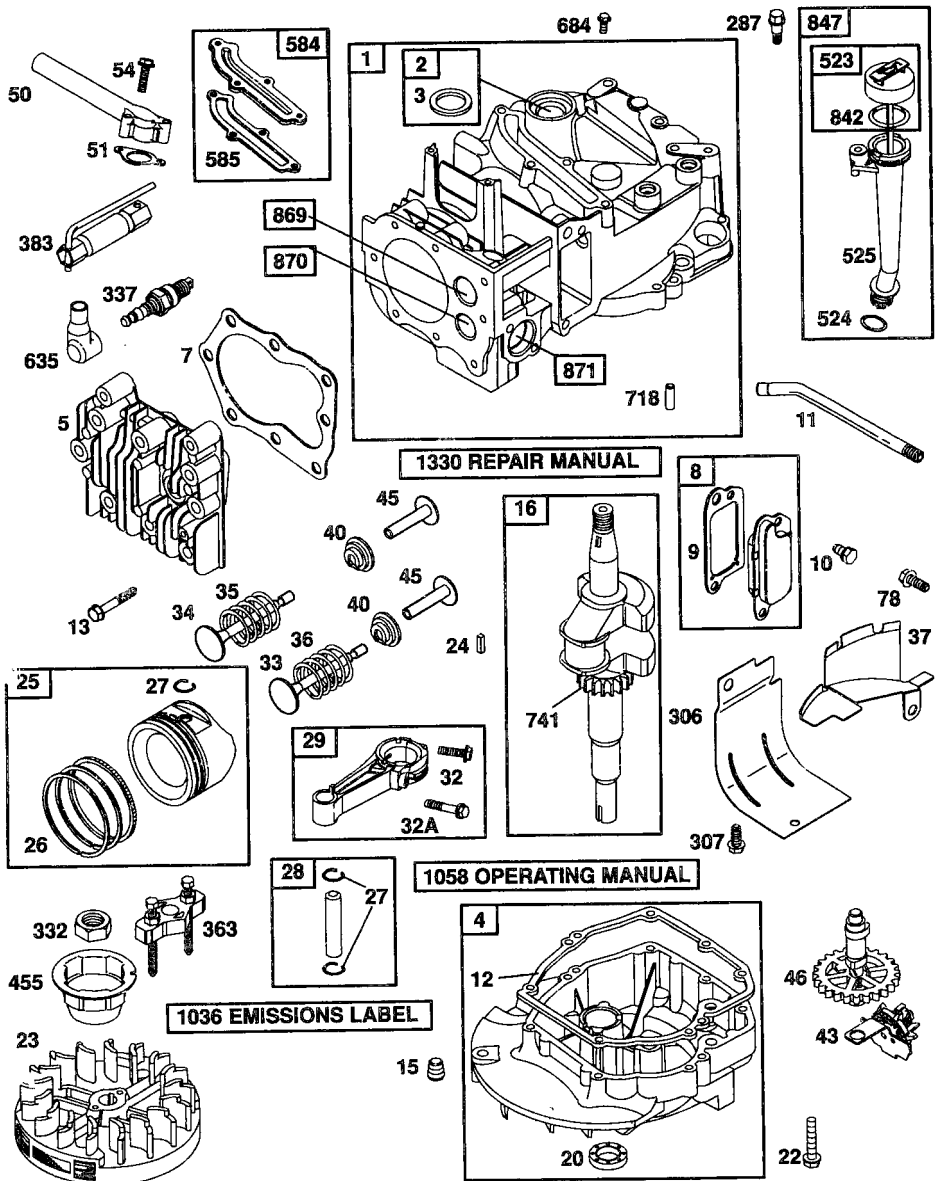


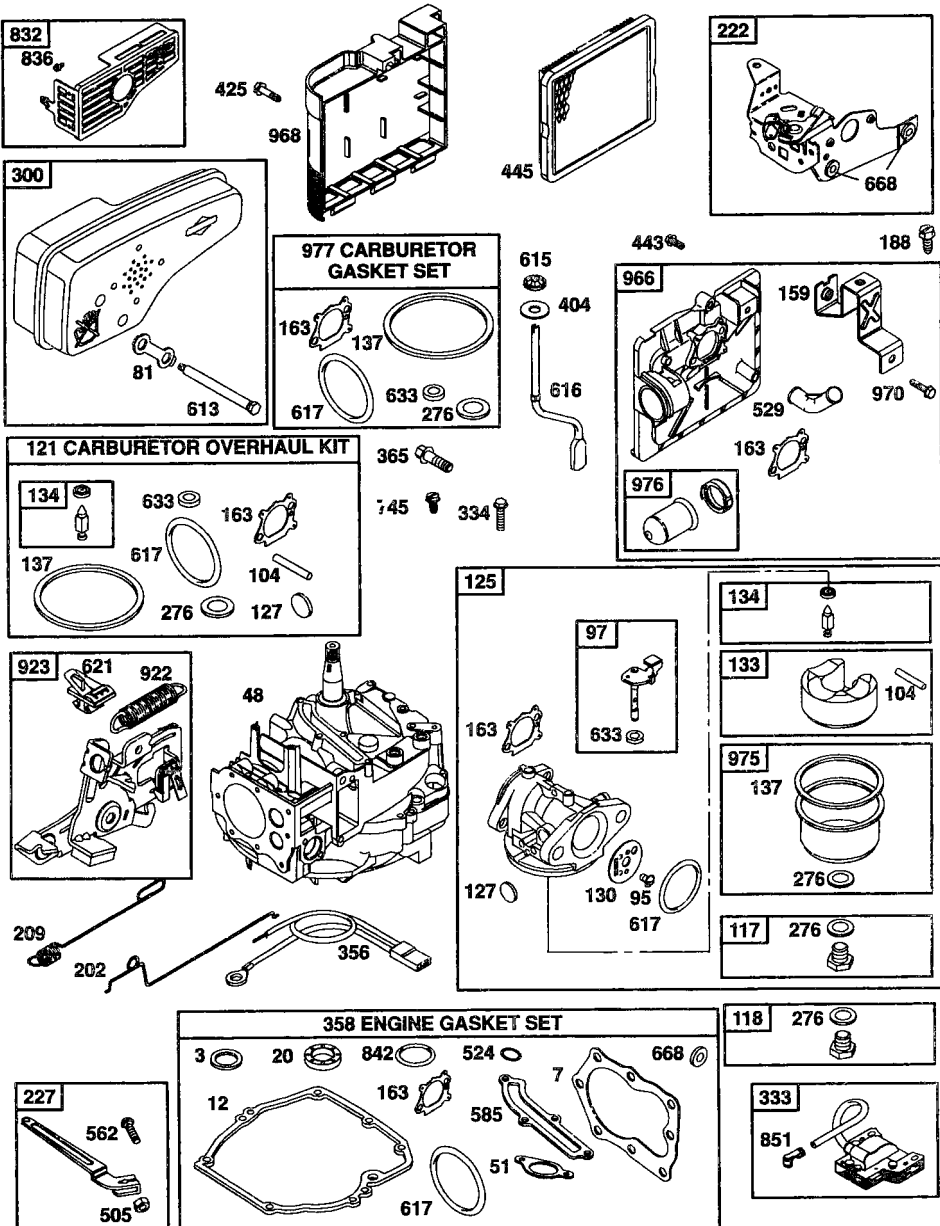
CRAFTSMAN ROTARY LAWN MOWER - - MODEL NUMBER 37125 (371250)

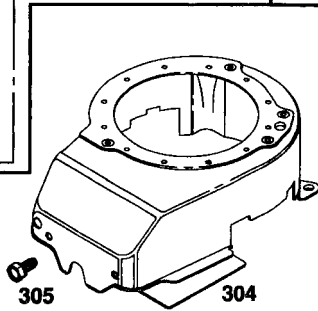
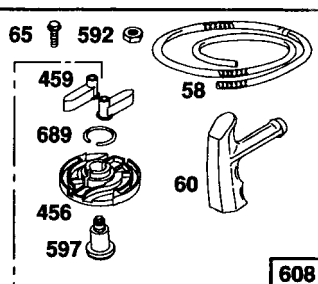
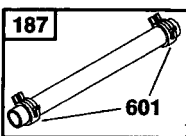
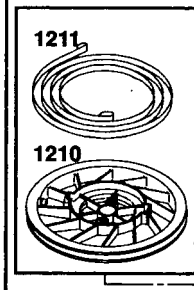
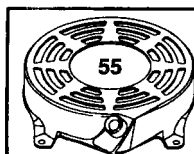
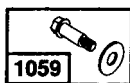
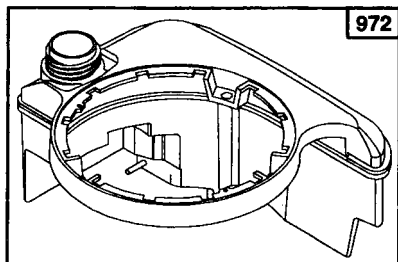
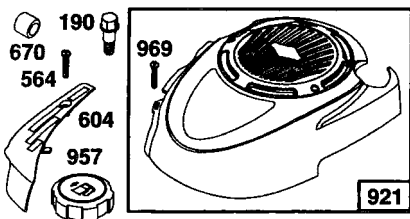
KEY NO.	PART NO.	DESCRIPTION	KEY NO.	PART NO.	DESCRIPTION
1	194653	Drive Control Cable Assembly	55	86012	Driveshaft Cover
2	191039	Bearing, Wheel Adjuster	60	183497	* Case, Lower
3	143603	Pan Head Tapping Screw #10-24 x 2-3/4	61	183498	* Case, Upper
5	146527	V-Belt	62	183499	Gear, 27 Teeth
6	150495	Spring Retainer	63	183500	Lever, Clutch
7	194185X428	Control Bar, Drive	64	183501	Spring, Return
9	83923	Locknut, Hex	65	183502	Shaft, Input
11	194231X460	Wheel & Tire Assembly	66	183503	Dog, Movable
12	12000058	E-Ring	67	183504	Dog, Fixed
13	750003	Pinion	68	183505	Wire, Formed
14	189403	Dust Cover	69	183506	Bearing, Ball
15	191017	Pawl, Drive	70	183507	Fork, Shift
16	67725	Washer	71	183508	Seal, Output Shaft
18	87877	Selector Knob	72	183509	Washer
28	194398X428	Drive Cover	73	183510	Seal, Case
35	195110	Kit, Wheel Adjuster, LH (Includes Knob and Bearing)	74	183511	Bushing
36	199206	Gear Case Assembly, Complete	75	196561	Shaft, Output
38	73800400	Locknut, Hex 1/4-20	76	183513	Screw
40	137090	Spring	77	183514	Seal, Input Shaft
41	195107	Kit, Wheel Adjuster, RH (Includes Knob and Bearing)	78	199852	Drive Pulley
			79	199419	Pin, Retainer

* Use Dow Corning #709 to reseat.

NOTE: All component dimensions given in U.S. inches. 1 inch = 25.4 mm. **IMPORTANT:** Use only Original Equipment Manufacturer (O.E.M.) replacement parts. Failure to do so could be hazardous, damage your lawn mower and void your warranty.







**KEY PART
NO. NO.**

DESCRIPTION

1	697322	Cylinder Assembly
2	399269	Kit-Bushing/Seal
3	299819	• Seal-Oil (Magneto Side)
4	493279	Sump-Engine
5	691160	Head-Cylinder
7	692249	• Gasket-Cylinder Head
8	695250	Breather Assembly
9	696125	Gasket-Breather
10	691125	Screw (Breather Assembly)
11	691781	Tube-Breather
12	692232	• Gasket-Crankcase
13	690912	Screw (Cylinder Head)
15	691680	Plug-Oil Drain
16	691450	Crankshaft
20	399781	• Seal-Oil (PTO Side)
22	691092	Screw (Engine Sump)
23	691987	Flywheel
24	222698	Key-Flywheel
25	790359	Piston Assembly (Standard)
	791326	Piston Assembly (.020" Oversize)
26	790360	Ring Set (Standard)
	791324	Ring Set (.020" Oversize)
27	691866	Lock-Piston Pin
28	499423	Pin-Piston
29	499424	Rod-Connecting
32	691664	Screw (Connecting Rod)
32A	695759	Screw (Connecting Rod)
33	262651	Valve-Exhaust

**KEY PART
NO. NO.**

DESCRIPTION

34	262652	Valve-Intake
35	691270	Spring-Valve (Intake)
36	691270	Spring-Valve (Exhaust)
37	694086	Guard-Flywheel
40	692194	Retainer-Valve
43	691997	Slinger-Governor/Oil
45	690548	Tappet-Valve
46	691449	Camshaft
48	498829	Short Block
50	497465	Manifold-Intake
51	272199	• Gasket-Intake
54	691650	Screw (Intake Manifold)
55	691421	Housing-Rewind Starter
58	697316	Rope-Starter (Cut to Length)
60	281434	Grip-Starter Rope
65	690837	Screw (Rewind Starter)
78	691108	Screw (Flywheel Guard)
81	691740	Lock-Muffler Screw
95	691636	Screw (Throttle Valve)
97	696565	Shaft-Throttle
104	691242	Ø Pin-Float Hinge
117	498978	Jet-Main (Standard)
118	494870	Jet-Main (High Altitude)
121	498260	Kit-Carburetor Overhaul
125	498170	Carburetor
127	694468	Ø Plug-Welch
130	696564	Valve-Throttle
133	398187	Float-Carburetor
134	398188	Ø Valve-Needle/Seat

KEY PART		DESCRIPTION	KEY PART		DESCRIPTION
NO.	NO.		NO.	NO.	
137	693981	Ø‡ Gasket-Float Bowl	633	691321	Ø‡ Seal-Throttle Shaft
159	691753	Bracket-Air Cleaner Primer	635	66538	Boot-Spark Plug
163	272653	Ø‡ Gasket-Air Cleaner	668	493823	• Spacer (Includes 2)
187	691050	Line-Fuel (Cut to Length)	670	692294	Spacer-Fuel Tank
188	693399	Screw (Control Bracket)	684	690345	Screw (Breather Cover)
190	690940	Screw (Fuel Tank)	689	691855	Spring-Friction
202	691829	Link-Mechanical Governor	718	690959	Pin-Locating
209	691292	Spring-Governor	741	790345	Gear-Timing
222	791128	Bracket-Control	745	691648	Screw (Brake)
227	690783	Control Lever-Governor	832	499034	Guard-Muffler
276	271716	Ø‡ Washer-Sealing	836	690664	Screw (Muffler Guard)
287	690940	Screw (Dipstick Tube)	842	691031	• Seal-O Ring (Dipstick Tube)
300	692038	Muffler	847	692047	Assembly-Dipstick/Tube
304	695892	Housing-Blower	851	493880	Terminal-Spark Plug
305	691108	Screw (Blower Housing)	869	691155	Seat-Valve (Intake)
306	690450	Shield-Cylinder	870	690380	Seat-Valve (Exhaust)
307	690345	Screw (Cylinder Shield)	871	262001	Bushing-Guide (Exhaust)
332	690662	Nut (Flywheel)		63709	Bushing-Guide (Intake)
333	802574	Armature-Magneto	921	698587	Cover-Blower Housing
334	691061	Screw (Armature Magneto)	922	692135	Spring-Brake
337	697451	Plug-Spark	923	695891	Brake
356	692390	Wire-Stop	957	397974	Cap-Fuel Tank
358	497316	Gasket Set-Engine	966	792040	Base-Air Cleaner Primer
363	19069	Puller-Flywheel	968	692298	Cover-Air Cleaner
365	692524	Screw (Carburetor)	969	690700	Screw (Blower Cover)
383	89838	Wrench-Spark Plug	970	691669	Screw (Air Cleaner Bracket)
404	690272	Washer (Governor Crank)	972	699374	Tank-Fuel
425	690670	Screw (Air Cleaner Cover)	975	493640	Bowl-Float
443	692523	Screw (Air Cleaner Base)	976	496115	Primer-Carburetor
445	491588	Filter-Air Cleaner Cartridge	977	498261	Set-Carburetor Gasket
455	791960	Cup-Flywheel	1036	792509	Label-Emissions
456	692299	Plate-Pawl Friction	1058	276171	Manual-Operating
459	281505	Pawl-Ratchet	1059	692311	Kit-Screw/Washer
505	691251	Nut (Governor Control Lever)	1210	498144	Pulley/Spring Assy. (Pulley)
523	499621	Dipstick	1211	498144	Pulley/Spring Assy. (Spring)
524	692296	• Seal-Dipstick Tube	1329	123K02-0525	Replacement Engine
525	495265	Tube-Dipstick			(Transfer Muffler and/or Spark Arrester
529	691923	Grommet			Assembly from the original engine if
562	691119	Bolt (Governor Control Lever)			suitable for additional service or add
564	698589	Screw (Control Cover)			new parts as required)
584	697734	Cover-Breather Passage	1330	270962	Repair Manual
585	691879	• Gasket-Breather Passage	--	398067	Spark Arrester
592	690800	Nut (Rewind Starter)			(available accessory)
597	691696	Screw (Pawl Friction Plate)			
601	791850	Clamp-Hose			• Included in Engine Gasket Set, Key No. 358
604	698588	Cover-Control			
608	497680	Starter-Rewind			Ø Included in Carb. Overhaul Kit, Key No. 121
613	691340	Screw (Muffler)			
615	690340	Retainer-Governor Shaft			‡ Included in Carb. Gasket Set, Key No. 977
616	698801	Crank-Governor			
617	270344	Ø‡ Seal-O Ring (Intake Manifold)			
621	692310	Switch-Stop			

NOTE: All component dimensions given in U.S. inches. 1 inch = 25.4 mm

SERVICE NOTES

2-YEAR FULL WARRANTY ON CRAFTSMAN LAWN MOWER

If this Craftsman Lawn Mower fails due to manufacturer defects in material or workmanship within two years from the date of purchase, return it to any Sears store, Parts & Repair Center or other Craftsman outlet for free repair (or replacement if repair proves impossible).

This warranty applies for only 90 days from the date of purchase if this Lawn Mower is ever used for commercial or rental purposes.

This warranty does not cover:

- Expendable items that become worn during normal use, such as rotary mower blades, blade adapters, belts, air cleaners and spark plug.
- Repairs necessary because of operator abuse or negligence, including bent crackshafts and the failure to assemble, operate or maintain this Lawn Mower according to all supplied product instructions.

This warranty applies only while this product is used in the United States.

This warranty gives you specific legal rights, and you may also have other rights which vary from state to state.

Sears, Roebuck and Co., Hoffman Estates, IL 60179

