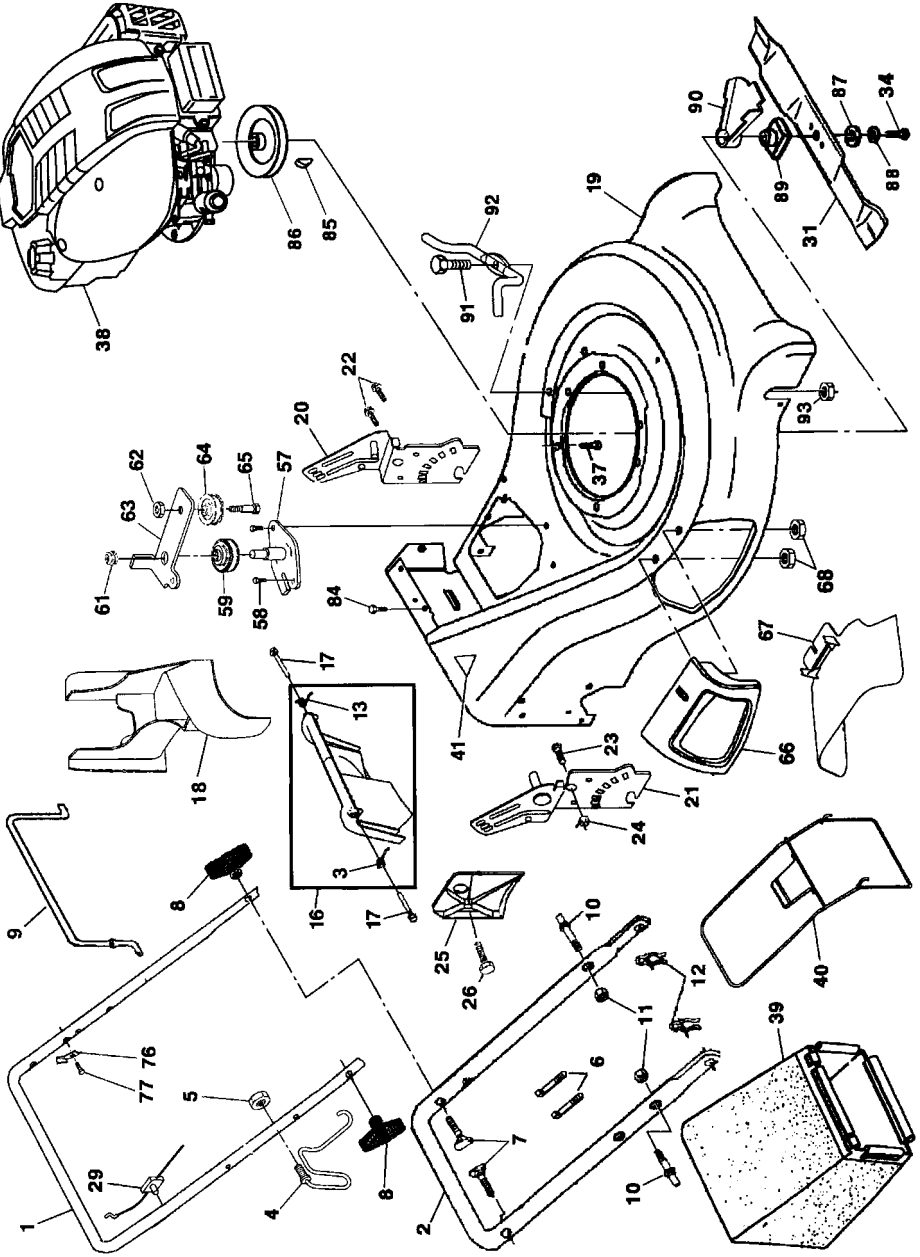


REPAIR PARTS MANUAL
MODEL NUMBER 371440
Rotary Lawn Mower

2004



CRAFTSMAN ROTARY LAWN MOWER -- MODEL NUMBER 917.371440



CRAFTSMAN ROTARY LAWN MOWER - - MODEL NUMBER 917.371440

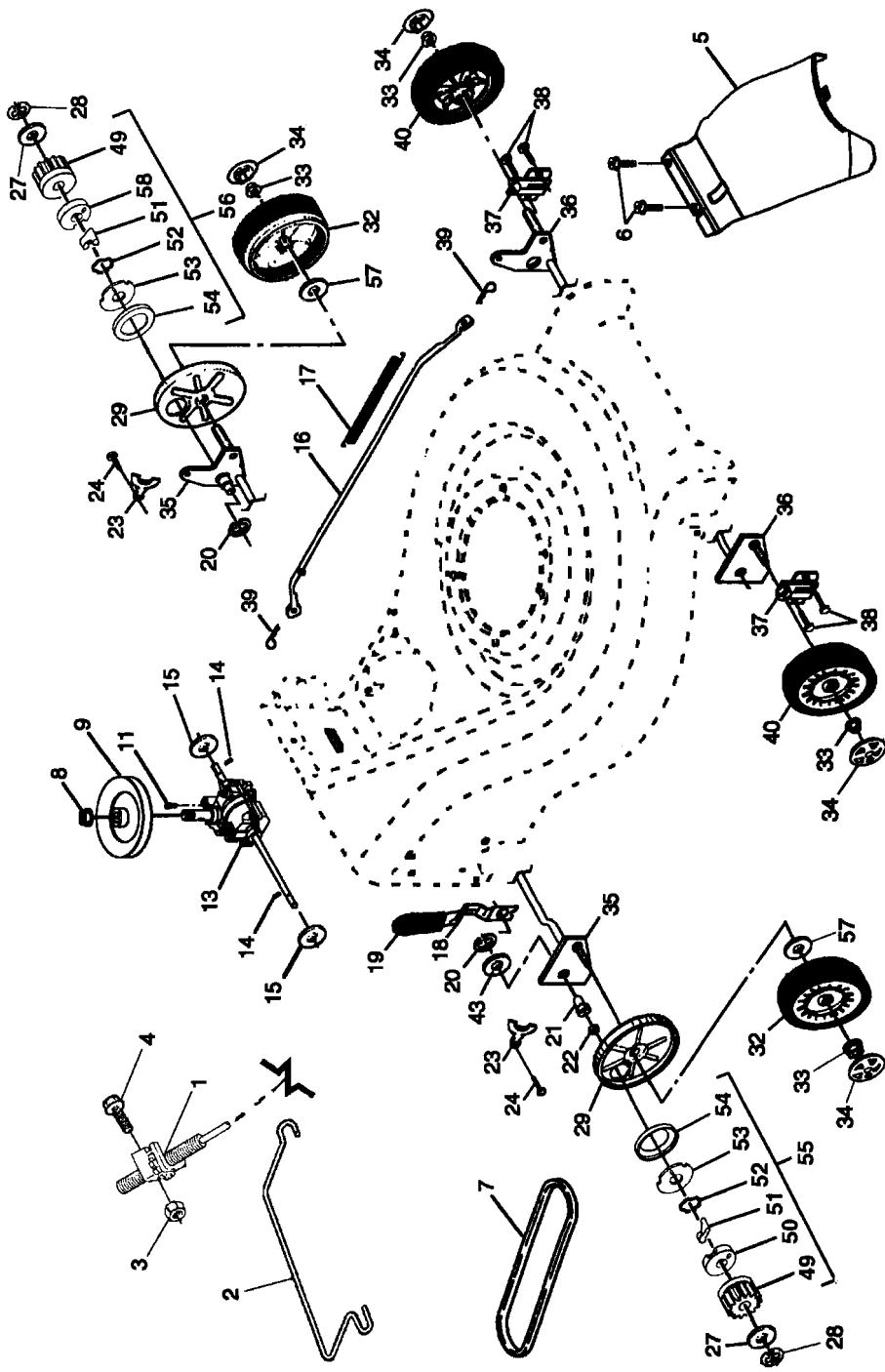
KEY NO.	PART NO.	DESCRIPTION	KEY NO.	PART NO.	DESCRIPTION
1	189663X479	Handle, Upper	58	57808	Screw
2	161105X479	Handle, Lower	59	184543	Pulley Assembly
3	186053	Spring, Rear Door, RH	61	145212	Flange Nut
4	186079	Rope Guide / Anti-Fold Bracket	62	155552	Locknut
5	132004	Nut, Hex, with Lockwasher Insert 1/4-20	63	179719X004	Idler Arm
6	66426	Wire, Tie	64	166043	Idler Pulley
7	131959	Bolt, Handle 5/16-18 x 1.75	65	160829	Shoulder Bolt
8	136376	Knob, Handle	66	183058X428	Door, Mulcher
9	182810	Control Bar	67	169699X428	Discharge Deflector
10	188821	Bolt, Carriage	68	86349	Nut, Hex
11	73990500	Nut, Hex, with Lockwasher Insert 5/16-18 UNC	76	850733X004	Bracket, Upstop
12	51793	Hairpin, Cotter	77	750634	Screw
13	186052	Spring, Rear Door, LH	84	54583	Screw
16	185855X428	Kit, Rear Door (Includes Springs)	85	187723	Key, Hi-Pro
17	184193	Bolt, Rear Door	86	184941	Pulley
18	187535	Plug, Mulcher	87	851074	Washer
19	190169	Kit, Housing	88	850263	Washer, Lock
20	187109X479	Handle, Bracket Assembly, Left	89	188041	Blade Adapter
21	187108X479	Handle, Bracket Assembly, Right	90	189185	Debris Shield
22	150078	Screw, Hex Washer Head	91	182227	Screw, Machine #8
23	163183	Bolt, Hex Head 5/16-18 x 5/8	92	188244	Belt Keeper
24	73800500	Locknut, Hex	93	182228	Nut, Hex #8
25	161333	Baffle, Side	--	182134	Warning Decal (Not Shown)
26	163409	Screw #12 x 5/8	--	190208	Operator's Manual, European
29	161586	Cable, MZF	--	190210	Operator's Manual, Scandinavian
31	175052	Blade, 21"	--	190211	Repair Parts Manual, English
34	851084	Bolt, Hex Head			
37	150406	Bolt, Engine			
38	---	Engine, Briggs & Stratton, Model Number 128602-0339-E1 (See Breakdown)			
39	190168	Bag, Grass Catcher	71	33623	Gas Can (2.5 Gallon Container)
40	188817	Frame, Grass Catcher	71	33500	Fuel Stabilizer
41	182166	Danger Decal	71	33000	SAE 30W Oil (20 Ounce Bottle)
57	179783X004	Bracket Assembly			

Available accessories not included with lawn mower:

71	33623	Gas Can (2.5 Gallon Container)
71	33500	Fuel Stabilizer
71	33000	SAE 30W Oil (20 Ounce Bottle)

NOTE: All component dimensions given in U.S. inches.
1 inch = 25.4 mm

CRAFTSMAN ROTARY LAWN MOWER -- MODEL NUMBER 917.371440

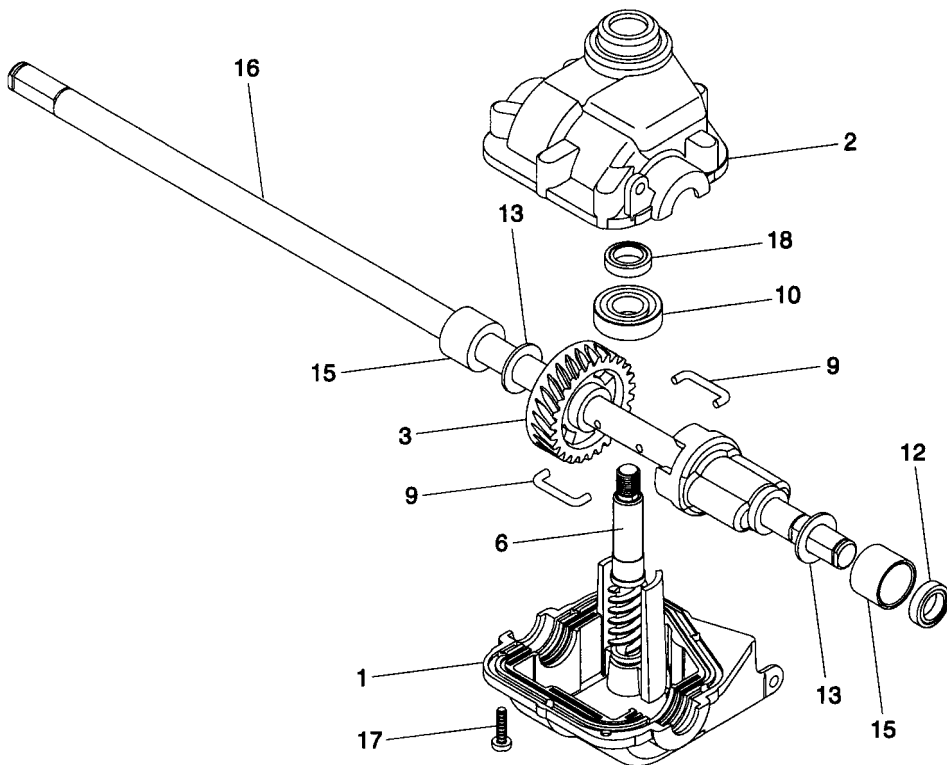


CRAFTSMAN ROTARY LAWN MOWER - - MODEL NUMBER 917.371440

KEY NO.	PART NO.	DESCRIPTION	KEY NO.	PART NO.	DESCRIPTION
1	189181	Drive Control Assembly, Vari-Speed, with Cable	29	180504	Cover, Dust, Wheel
2	188975	Control Bar, Drive	32	180762	Wheel 9 x 2
3	751152	Nut, Hex	34	77400	Hubcap, Mag, Platinum
4	185681	Screw	35	160785 X004	Shaft Assembly, Rear
5	161537	Cover Drive	36	160786X004	Shaft Assembly, Front
6	750634	Screw, Threaded, Rolled #10-25 x .50	37	161463	Retainer, Front Shaft
7	182212	V-Belt	38	163409	Screw #12 x 5/8
8	132010	Nut, Flangelock 3/8-16 Zinc Plated	39	700279	Clip, Retainer
9	184749	Pulley, Drive	40	146249	Wheel 8 x 2
11	187653	Screw	42	181071	EZ-Walk Drive Control Assembly
13	187213	Gearcase Assembly (See Breakdown)	43	19572216	Washer
14	145354	Pin, Spring, Thrust	49	175103	Pinion, Gear
15	57079	Washer, Hardened	50	175102	Retainer, Drive, RH
16	161584	Rod, Connecting	51	175098	Pawl
17	161602	Spring, Extension	52	188291	Spring, Torsion
18	160477X004	Spring, Selector	53	175104	Disc, Drive
19	167650	Knob, Selector Spring	54	175101	Seal, Friction
20	12000022	E-Ring 7/8	55	188293	Pinion/Pawl Assembly, RH
21	163365	Bearing Support	56	188292	Pinion/Pawl Assembly, LH
22	169911	Bearing, Ball	57	67725	Washer, Flat 1/2
23	161118X004	Retainer, Drive Assembly, Stamped	58	175105	Retainer, Drive, LH
24	57808	Screw, Hex Head, Tapping 1/4-20 x .75			
27	52160	Washer, Shim (as required)			
28	12000058	E-Ring 7/16			

NOTE: All component dimensions given in U.S. inches.
1 inch = 25.4 mm

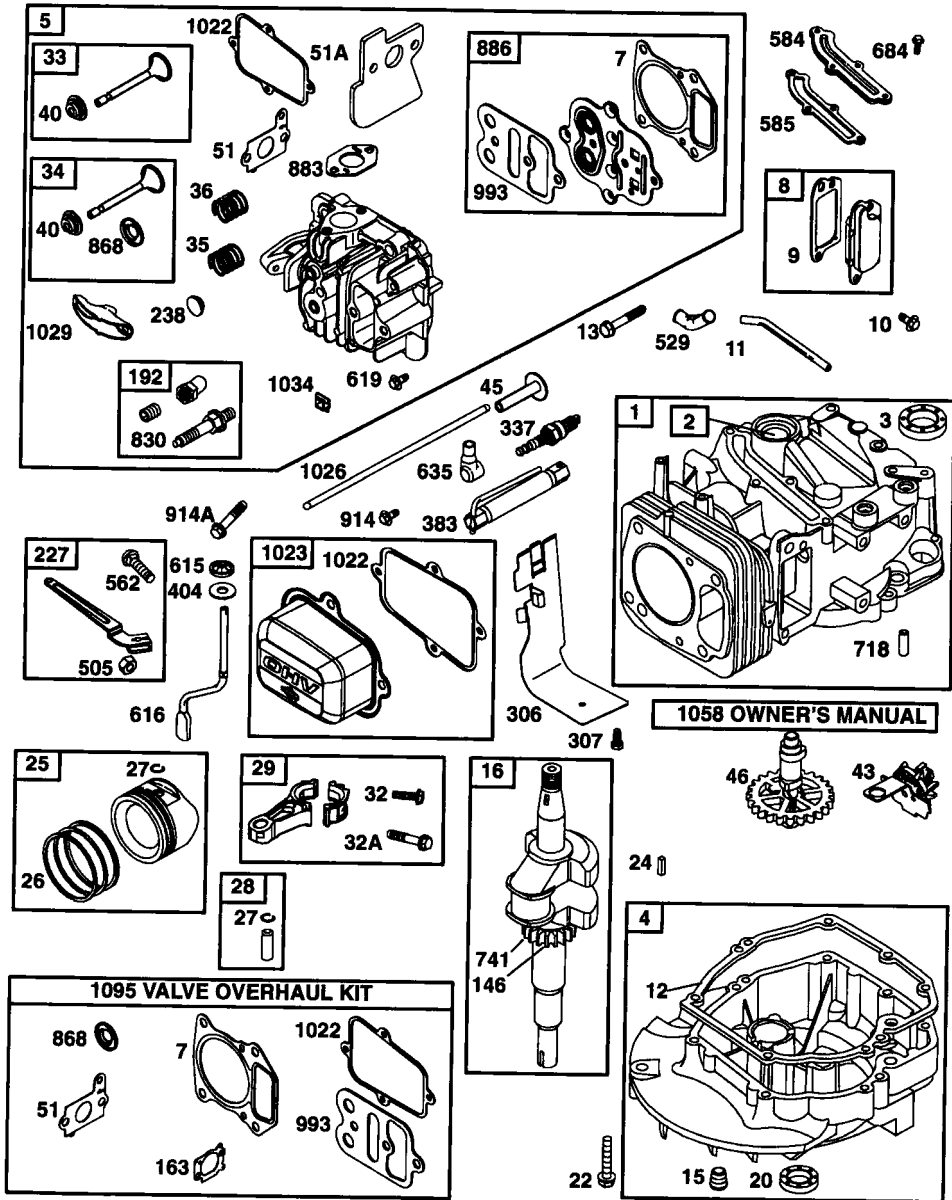
**CRAFTSMAN ROTARY LAWN MOWER - - MODEL NUMBER 917.371440
GEAR CASE ASSEMBLY - - PART NUMBER 187213**

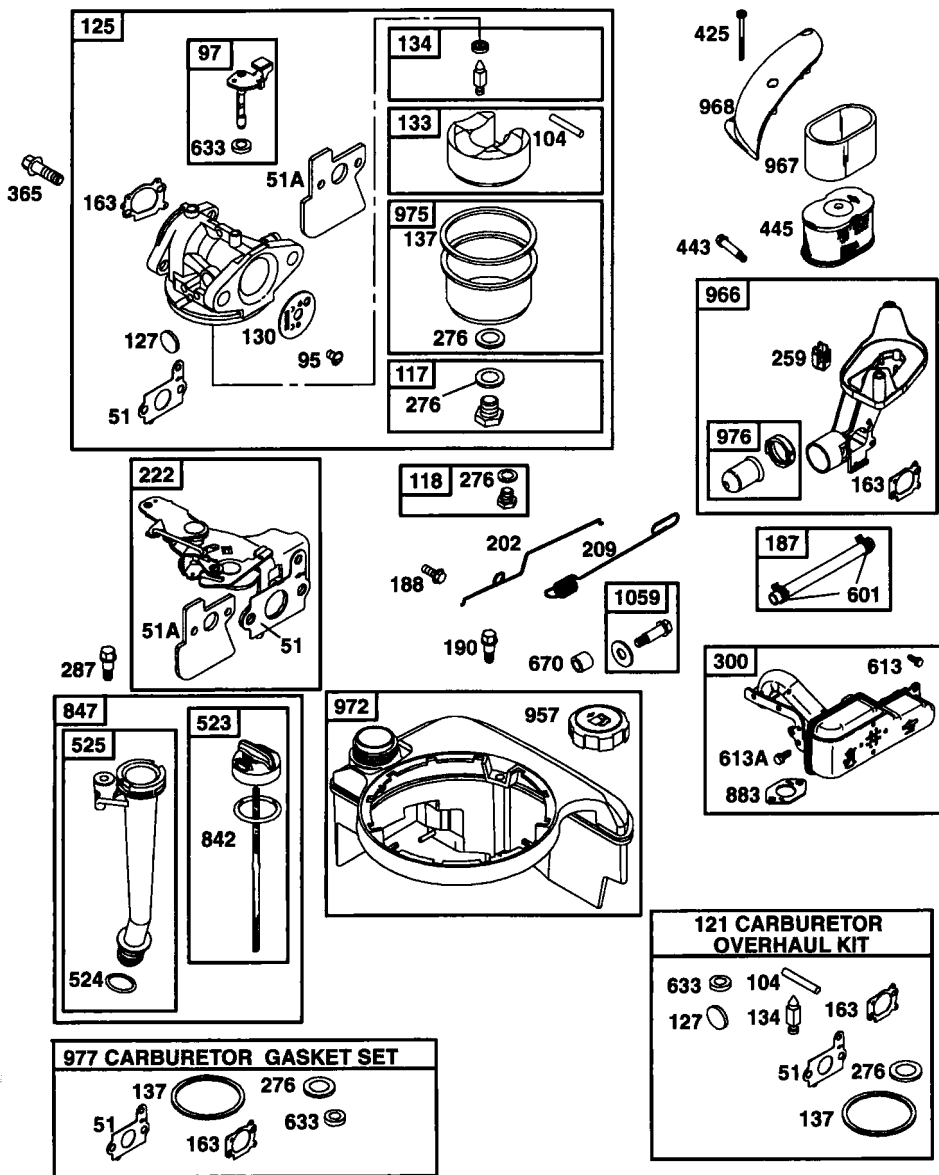


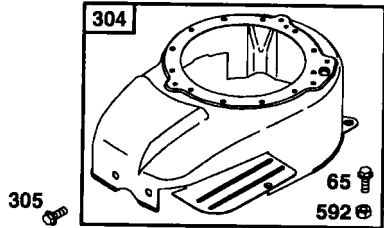
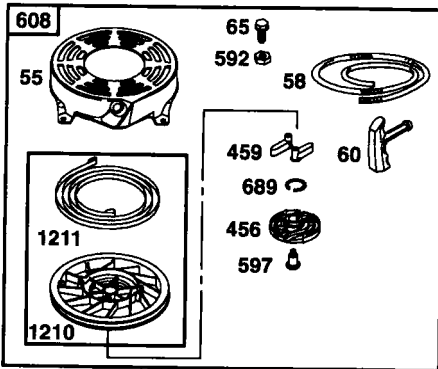
KEY NO.	PART NO.	DESCRIPTION
1	187530	Case, Lower
2	187531	Case, Upper
3	187532	Gear, 24 Teeth
6	187533	Shaft, Input
9	183505	Wire, Formed
10	183506	Bearing, Ball
12	183508	Seal, Output Shaft
13	183509	Washer
15	183511	Bushing
16	187534	Shaft, Output
17	183513	Screw
18	183514	Seal, Input Shaft

NOTE: Use Dow Corning #709 to reseal Gear Case Halves.

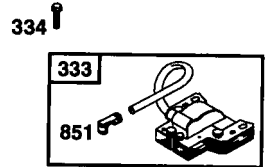
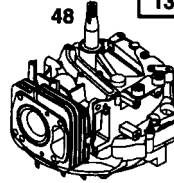
NOTE: All component dimensions given in U.S. inches.
1 inch = 25.4 mm



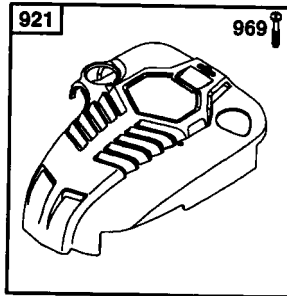
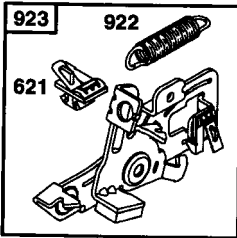




1329 REPLACEMENT ENGINE



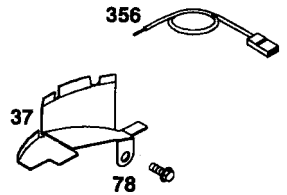
745



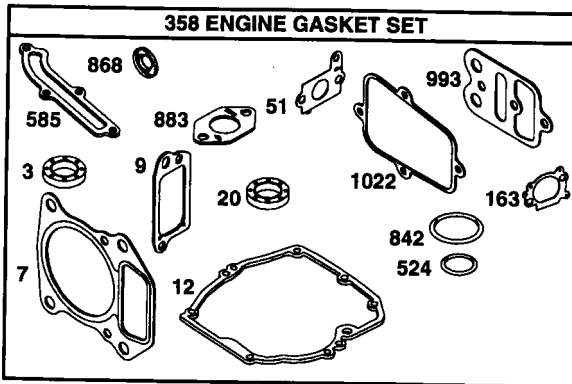
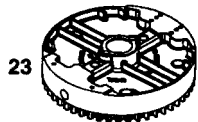
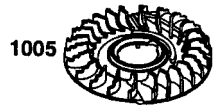
1036 EMISSION LABEL

1019 LABEL KIT

1330 REPAIR MANUAL



332



KEY NO.	PART NO.	DESCRIPTION	KEY NO.	PART NO.	DESCRIPTION
1	692670	Cylinder Assembly	65	690837	Screw (Rewind Starter)
2	399269	Kit-Bushing/Seal	78	691108	Screw (Flywheel Guard)
3	299819	• Seal-Oil (Magneto Side)	95	691636	Screw (Throttle Valve)
4	493279	Sump-Engine	97	499682	Shaft-Throttle
5	695276	Head-Cylinder	104	691242	∅ Pin-Float Hinge
7	695166	+ Gasket-Cylinder Head	117	498978	Jet-Main (Standard)
8	495786	Breather Assembly	118	498975	Jet-Main (High Altitude)
9	699833	• Gasket-Breather	121	692703	Kit-Carburetor Overhaul
10	691125	Screw (Breather Assembly)	125	694202	Carburetor
11	691260	Tube-Breather	127	694468	∅ Plug-Welch
12	692232	• Gasket-Crankcase	130	691203	Valve-Throttle
13	691137	Screw (Cylinder Head)	133	398187	Float-Carburetor
15	691680	Plug-Oil Drain	134	398188	∅ Valve-Needle/Seat
16	691456	Crankshaft	137	693981	∅‡ Gasket-Float Bowl
20	399781	• Seal-Oil (PTO Side)	146	690979	Key-Timing
22	691092	Screw (Engine Sump)	163	691894	∅‡+ Gasket-Air Cleaner
23	697610	Flywheel	187	691050	Line-Fuel (Cut to Required Length)
24	222698	Key-Flywheel	188	691147	Screw (Control Bracket)
25	690021	Piston Assembly (Standard Size)	190	690940	Screw (Fuel Tank)
	694168	Piston Assembly (.020" Oversize)	192	694543	Ball-Rocker Arm
26	499631	Ring Set-Piston (Standard)	202	691303	Link-Mechanical Governor
	692786	Ring Set-Piston (.020" Oversize)	209	691292	Spring-Governor
27	691866	Lock-Piston Pin	222	697614	Bracket-Control
28	499423	Pin-Piston	227	690783	Control Lever-Governor
29	499424	Rod-Connecting	238	691300	Cap-Valve
32	691664	Screw (Connecting Rod)	259	691189	Bracket-Casing Clamp
32A	695759	Screw (Connecting Rod)	276	271716	∅‡ Sealing Washer
33	499642	Valve-Exhaust	287	690940	Screw (Dipstick Tube)
34	499641	Valve-Intake	300	697590	Muffler
35	691304	Spring-Valve (Intake)	304	695976	Housing-Blower
36	691304	Spring-Valve (Exhaust)	305	691108	Screw (Blower Housing)
37	694086	Guard-Flywheel	306	691232	Shield-Cylinder
40	692194	Retainer-Valve	307	690345	Screw (Cylinder Shield)
43	691997	Slinger-Governor/Oil	324	695161	Cup/Screen Assembly
45	690977	Tappet-Valve	332	690662	Nut (Flywheel)
46	694039	Camshaft	333	802574	Armature-Magneto
48	692748	Short Block	334	691061	Screw (Armature Magneto)
51	692668	∅‡+ Gasket-Intake	337	692051	Spark Plug
51A	697735	Gasket-Intake	356	692390	Wire-Stop
55	691421	Housing-Rewind Starter	358	694090	Engine Gasket Set
58	697316	Rope-Starter (Cut to Length)	363	19069	Flywheel Pulley
60	281434	Grip-Starter Rope	365	691136	Screw (Carburetor)

KEY NO.	PART NO.	DESCRIPTION	KEY NO.	PART NO.	DESCRIPTION
383	19374	Wrench-Spark Plug	914A	691127	Screw (Rocker Cover)
404	690272	Washer (Governor Crank)	921	691465	Cover-Blower Housing
425	690244	Screw (Air Cleaner Cover)	922	692135	Spring-Brake
443	690255	Screw (Air Cleaner Primer Base)	923	695891	Brake
445	697029	Filter-Air Cleaner Cartridge	957	692046	Cap-Fuel Tank
456	692299	Plate-Pawl Friction	966	690243	Base-Air Cleaner Primer
459	281505	Pawl-Ratchet	967	273356	Filter-Pre Cleaner
505	691251	Nut (Governor Control Lever)	968	691342	Cover-Air Cleaner
523	499621	Dipstick	969	691138	Screw (Blower Housing Cover)
524	692296	• Seal-Dipstick Tube	972	693377	Tank-Fuel
525	495265	Tube-Dipstick	975	493640	Bowl-Float
529	692937	Grommet	976	496115	Primer-Carburetor
562	92613	Bolt (Governor Control Lever)	977	692704	Set-Carburetor Gasket
584	697734	Cover-Breather Passage	993	694088	*+ Gasket-Cylinder Head Plate
585	691879	• Gasket-Breather Passage	1005	691346	Fan-Flywheel
592	690800	Nut (Rewind Starter)	1019	697624	Kit-Label
597	691696	Screw (Pawl Friction Plate)	1022	691890	*+ Gasket-Rocker Cover
601	95162	Clamp-Hose	1023	499624	Cover-Rocker Arm
608	497680	Starter-Rewind	1026	692045	Rod-Push
613	691108	Screw (Muffler)	1029	691230	Arm-Rocker
613A	691140	Screw (Muffler)	1034	691343	Guide-Push Rod
615	690340	Retainer-Governor Shaft	1036	696767	Label-Emission
616	698801	Crank-Governor	1058	275054	Owner's Manual
619	691108	Screw (Cylinder Head Plate)	1059	692311	Kit-Screw/Washer
621	692310	Switch-Stop	1095	694091	Set-Valve Gasket
633	691321	Ø‡ Seal-Throttle Shaft	1210	498144	Assembly-Pulley/Spring (Pulley)
635	66538	Boot-Spark Plug	1211	498144	Assembly-Pulley/Spring (Spring)
670	692294	Spacer-Fuel Tank	1329	121602-0625	Replacement Engine (Transfer Governor Spring)
684	690345	Screw (Breather Passage Cover)	1330	272147	Repair Manual
689	691855	Spring-Friction			
718	690959	Pin-Locating			
741	691830	Gear-Timing			
745	691648	Screw (Brake)			
830	694544	Stud (Rocker Arm)			
842	691031	• Seal-O Ring (Dipstick Tube)			
847	692047	Assembly-Dipstick/Tube			
851	493880	Terminal-Spark Plug			
868	692044	*+ Seal-Valve			
883	691893	• Gasket-Exhaust			
886	696268	Gasket Kit-Cylinder Head/Plate			
914	691108	Screw (Rocker Cover)			

• Included in Engine Gasket Set, Key No. 358

Ø Included in Carburetor Overhaul Kit, Key No. 121

‡ Included in Carburetor Gasket Set, Key No. 977

+ Included in Valve Gasket Set, Key No. 1095

NOTE: All component dimensions given in U.S. inches
1 inch = 25.4 mm

LIMITED TWO YEAR WARRANTY ON CRAFTSMAN POWER MOWER

For two years from date of purchase, when this Craftsman Lawn Mower is maintained, lubricated, and tuned up according to the operating and maintenance instructions in the owner's manual, Sears will repair free of charge any defect in material or workmanship.

If this Craftsman Lawn Mower is used for commercial or rental purposes, this warranty applies for only 90 days from the date of purchase.

This Warranty does not cover:

- Expendable items which become worn during normal use, such as rotary mower blades, blade adapters, belts, air cleaners and spark plug.
- Repairs necessary because of operator abuse or negligence, including bent crankshafts and the failure to maintain the equipment according to the instructions contained in the owner's manual.

Warranty service is available by returning the Craftsman power mower to the nearest Sears Parts & Repair Center in the United States. This warranty applies only while this product is used in the United States.

This Warranty gives you specific legal rights, and you may also have other rights which vary from state to state.

Sears, Roebuck And Co., D/817 WA, Hoffman Estates, IL 60179

CRAFTSMAN®