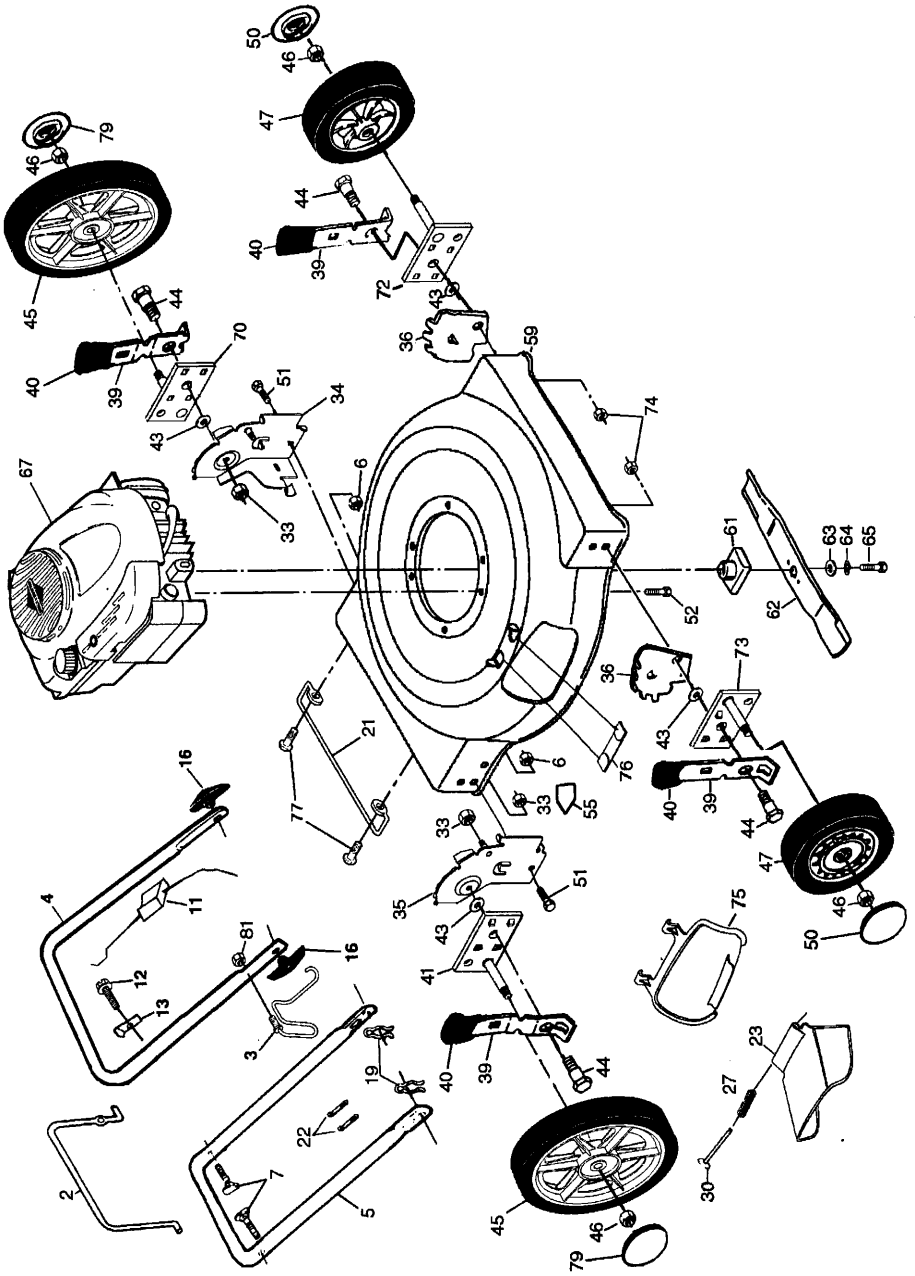


REPAIR PARTS MANUAL
MODEL NUMBER 371460
Rotary Lawn Mower

CRAFTSMAN®

CRAFTSMAN ROTARY LAWN MOWER -- MODEL NUMBER 917.371460

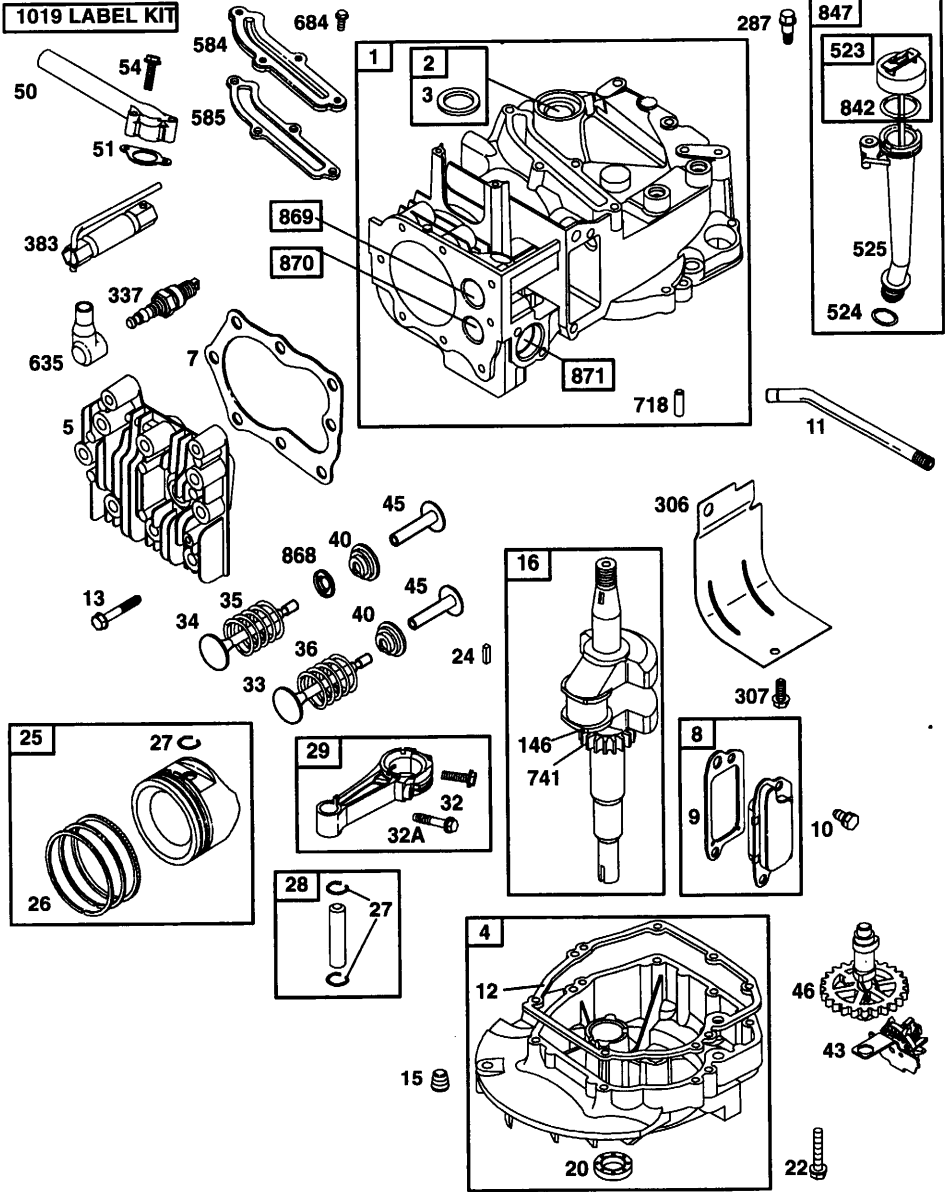


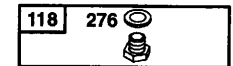
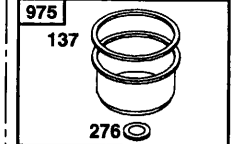
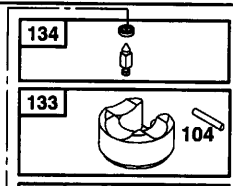
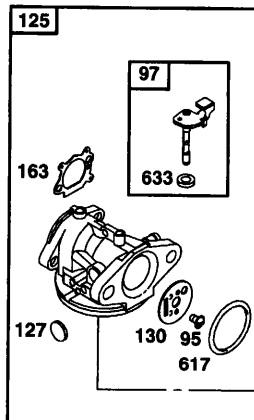
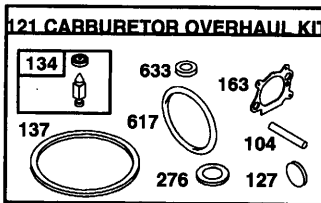
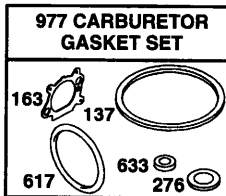
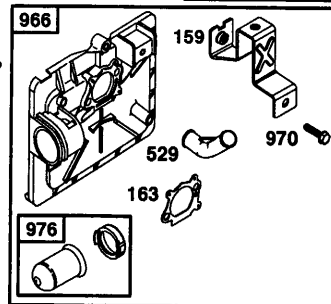
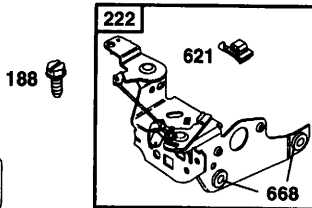
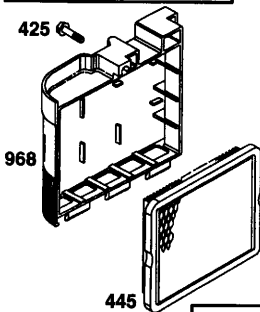
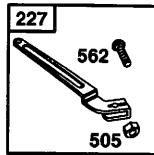
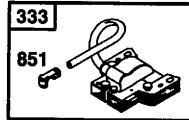
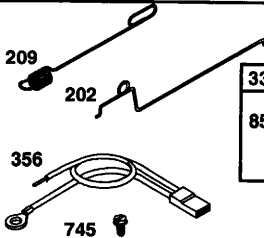
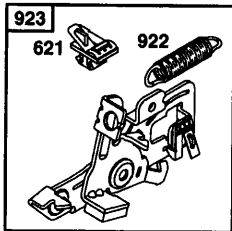
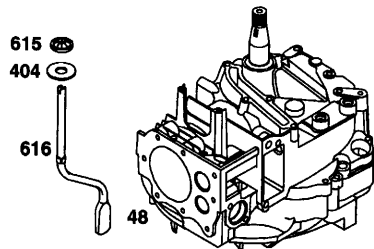
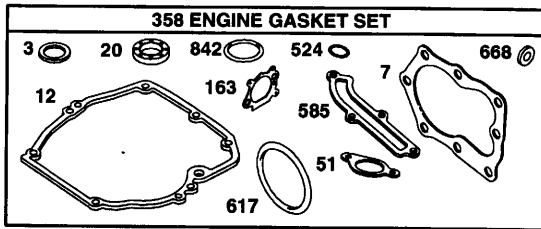
CRAFTSMAN ROTARY LAWN MOWER - - MODEL NUMBER 917.371460

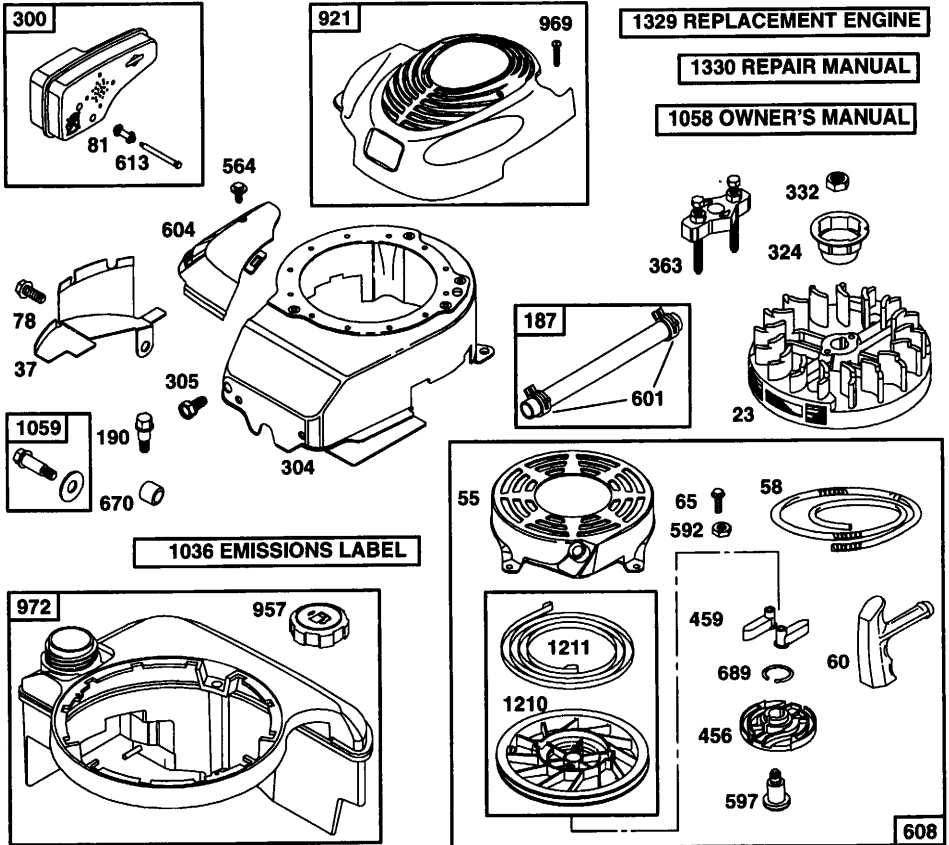
KEY NO.	PART NO.	DESCRIPTION	KEY NO.	PART NO.	DESCRIPTION
2	86902	Control Bar	55	85463	Danger Decal
3	186079	Rope Guide / Anti-Fold Bracket	59	190198	Lawn Mower Housing (Includes Key Number 55)
4	169709X479	Upper Handle	61	184590	Blade Adapter
5	169708X479	Lower Handle	62	141114	22" Blade
6	69180	Locknut 1/4-20	63	851074	Hardened Washer
7	131959	Handle Bolt 5/16-18	64	850263	Helical Lockwasher 3/8
11	176556	Engine Zone Control Cable	65	851084	Hex Head Screw 3/8-24 x 1/4 Grade 8
12	750634	Hex Thread Rolling Screw #10-24 x 1/2	67	- - -	Engine, Briggs and Stratton, Model Number 125K02-0336-E1 (See Breakdown)
13	86899X004	Up-Stop Bracket	70	180409X004	Axle Arm Assembly (LF)
16	136376	Handle Knob	72	186577X004	Axle Arm Assembly (RF)
19	51793	Hairpin Cotter	73	186578X004	Axle Arm Assembly (RF)
21	154147	Foot Guard	74	166785	Nut
22	66426	Wire Tie	75	160830	Plate, Mulcher
23	160631	Discharge Guard	76	161622	Clip, Closeout
27	160632	Torsion Spring	77	85825	Hex Head Screw 1/4
30	160833	Hinge Rod	79	150635X428	Hubcap
33	73900500	Locknut 5/16-18	81	132004	Nut, Hex
34	170373X479	Wheel Bracket Support (Left)	- -	182191	Warning Decal (Not Shown)
35	170374X479	Wheel Bracket Support (Right)	- -	190191	Operator's Manual, European
36	160835X007	Wheel Bracket Adjuster	- -	190193	Operator's Manual, Scandinavian
39	168360X004	Selector Spring	- -	190195	Repair Parts Manual, English
40	87877	Selector Knob			
41	180410X004	Axle Arm Assembly (RR)			
43	183901	Washer			
44	160828	Shoulder Bolt			
45	189159	Wheel Assembly (Rear)			
46	83923	Locknut 1/16-18			
47	151155	Wheel Assembly (Front)			
50	77400	Hubcap			
51	74760514	Hex Head Bolt 5/16-18 x 3/4			
52	150406	Hex Head Thread Rolling Screw 3/8-16 x 1			

Available accessories not included with lawn mower:
 33623 Gas Can (2.5 Gallon Container)
 33500 Fuel Stabilizer
 33000 SAE 30W Oil (20 Ounce Bottle)
 33076 Grass Catcher

NOTE: All component dimensions given in U.S. inches.
 1 inch = 25.4 mm







KEY NO.	PART NO.	DESCRIPTION	KEY NO.	PART NO.	DESCRIPTION
1	697322	Cylinder Assembly	24	222698	Key-Flywheel
2	399269	Kit-Bushing/Seal	25	697339	Piston Assembly (Standard Size)
3	299819	• Seal-Oil (Magneto Side)		697341	Piston Assembly (.020" Oversize)
4	493279	Sump-Engine	26	499425	Ring Set-Piston (Standard Size)
5	691160	Head-Cylinder		499427	Ring Set-Piston (.020" Oversize)
7	692249	• Gasket-Cylinder Head	27	691866	Lock-Piston Pin
8	695250	Breather Assembly	28	499423	Pin-Piston
9	699472	Gasket-Breather	29	499424	Rod-Connecting
10	691125	Screw (Breather Assembly)	32	691664	Screw (Connecting Rod)
11	691781	Tube-Breather	32A	695759	Screw (Connecting Rod)
12	692232	• Gasket-Crankcase	33	262651	Valve-Exhaust
13	690912	Screw (Cylinder Head)	34	262652	Valve-Intake
15	691680	Plug-Oil Drain	35	691270	Spring-Valve (Intake)
16	691450	Crankshaft	36	691270	Spring-Valve (Exhaust)
20	399781	• Seal-Oil (PTO Side)	37	694086	Guard-Flywheel
22	691092	Screw (Engine Sump)	40	692194	Retainer-Valve
23	692315	Flywheel	43	691997	Slinger-Governor/Oil

KEY NO.	PART NO.	DESCRIPTION	KEY NO.	PART NO.	DESCRIPTION
45	690548	Tappet-Valve	564	698589	Screw (Control Cover)
46	691449	Camshaft	584	697734	Cover-Breather Passage
48	498829	Short Block	585	691879	Gasket-Breather Passage
50	497465	Manifold-Intake	592	690800	Nut (Rewind Starter)
51	272199	Gasket-Intake	597	691696	Screw (Pawl Friction Plate)
54	691650	Screw (Intake Manifold)	601	95162	Clamp-Hose
55	691421	Housing-Rewind Starter	604	698588	Cover-Control
58	697316	Rope-Starter (Cut to Length)	608	497680	Starter-Rewind
60	281434	Grip-Starter Rope	613	691340	Screw (Muffler)
65	690837	Screw (Rewind Starter)	615	690340	Retainer-Governor Shaft
78	691108	Screw (Flywheel Guard)	616	698801	Crank-Governor
81	691740	Lock-Muffler Screw	617	270344	Seal-O Ring (Intake Manifold)
95	691636	Screw (Throttle Valve)	621	692310	Switch-Stop
97	696565	Shaft-Throttle	633	691321	Seal-Throttle Shaft
104	691242	Ø Pin-Float Hinge	635	66538	Boot-Spark Plug
117	498978	Jet-Main (Standard)	668	493823	Spacer (Includes 2)
118	494870	Jet-Main (High Altitude)	670	692294	Spacer-Fuel Tank
121	498260	Kit-Carburetor Overhaul	684	690345	Screw (Breather Passage Cover)
125	498170	Carburetor	689	691855	Spring-Friction
127	694468	Ø Plug-Welch	718	690959	Pin-Locating
130	696564	Valve-Throttle	741	691830	Gear-Timing
133	398187	Float-Carburetor	745	691648	Screw (Brake)
134	398188	Ø Valve-Needle/Seat	832	499034	Guard-Muffler
137	693981	Ø‡ Gasket-Float Bowl	836	690664	Screw (Muffler Guard)
146	690979	Key-Timing	842	691031	Seal-O Ring (Dipstick Tube)
159	691753	Bracket-Air Cleaner Primer	847	692017	Assembly-Dipstick/Tube
163	272653	Ø‡ Gasket-Air Cleaner	851	493880	Terminal-Spark Plug
187	691050	Line-Fuel (Cut to Length)	868	697338	Seal-Valve
188	693399	Screw (Control Bracket)	869	691155	Seat-Valve (Intake)
190	690940	Screw (Fuel Tank)	870	690380	Seat-Valve (Exhaust)
202	691829	Link-Mechanical Governor	871	262001	Bushing-Guide (Exhaust)
209	691292	Spring-Governor		63709	Bushing-Guide (Intake)
222	692467	Bracket-Control	921	698587	Cover-Blower Housing
227	690783	Control Lever-Governor	922	692135	Spring-Brake
276	271716	Ø‡ Sealing Washer	923	695891	Brake
287	690940	Screw (Dipstick Tube)	957	397974	Cap-Fuel Tank
300	692038	Muffler	966	496116	Base-Air Cleaner Primer
304	695892	Housing-Blower	968	692298	Cover-Air Cleaner
305	691108	Screw (Blower Housing)	969	690700	Screw (Blower Housing Cover)
306	690450	Shield-Cylinder	970	691669	Screw (Air Cleaner Primer Brkt.)
307	690345	Screw (Cylinder Shield)	972	693377	Tank-Fuel
324	695161	Screen/Cup Assembly	975	493640	Bowl-Float
332	690662	Nut (Flywheel)	976	694395	Primer-Carburetor
333	802574	Armature-Magneto	977	498261	Set-Carburetor Gasket
334	691061	Screw (Armature Magneto)	1019	494256	Kit-Label
337	802592	Spark Plug	1036	697457	Label-Emission
356	692390	Wire-Stop	1058	275177	Owner's Manual
358	497316	Engine Gasket Set	1059	692311	Kit-Screw/Washer
363	19069	Flywheel Puller	1210	498144	Assembly-Pulley/Spring (Pulley)
365	692524	Screw (Carburetor)	1211	498144	Assembly-Pulley/Spring (Spring)
383	89838	Wrench-Spark Plug	1329	125K02-0253	Replacement Engine (Transfer Exhaust)
404	690272	Washer (Governor Crank)	1330	272147	Repair Manual
425	690670	Screw (Air Cleaner Cover)	1350	699998	Cup-Fuel Filter
443	692523	Screw (Air Cleaner Primer Base)			
445	491588	Filter-Air Cleaner Cartridge			
456	692299	Plate-Pawl Friction			
459	281505	Pawl-Ratchet			
505	2691251	Nut (Governor Control Lever)			
523	495264	Dipstick			
524	692296	Seal-Dipstick Tube			
525	495265	Tube-Dipstick			
529	691923	Grommet			
562	92613	Bolt (Governor Control Lever)			

• Included in Engine Gasket Set, Key No. 358

Ø Included in Carburetor Overhaul Kit, Key No. 121

‡ Included in Carburetor Gasket Set, Key No. 977

NOTE: All component dimensions given in U.S. inches
1 inch = 25.4 mm

LIMITED TWO YEAR WARRANTY ON CRAFTSMAN POWER MOWER

For two years from date of purchase, when this Craftsman Lawn Mower is maintained, lubricated, and tuned up according to the operating and maintenance instructions in the owner's manual, Sears will repair free of charge any defect in material or workmanship.

If this Craftsman Lawn Mower is used for commercial or rental purposes, this warranty applies for only 90 days from the date of purchase.

This Warranty does not cover:

- Expendable items which become worn during normal use, such as rotary mower blades, blade adapters, belts, air cleaners and spark plug.
- Repairs necessary because of operator abuse or negligence, including bent crankshafts and the failure to maintain the equipment according to the instructions contained in the owner's manual.

Warranty service is available by returning the Craftsman power mower to the nearest Sears Parts & Repair Center in the United States. This warranty applies only while this product is used in the United States.

This Warranty gives you specific legal rights, and you may also have other rights which vary from state to state.

Sears, Roebuck And Co., D/817 WA, Hoffman Estates, IL 60179

CRAFTSMAN[®]