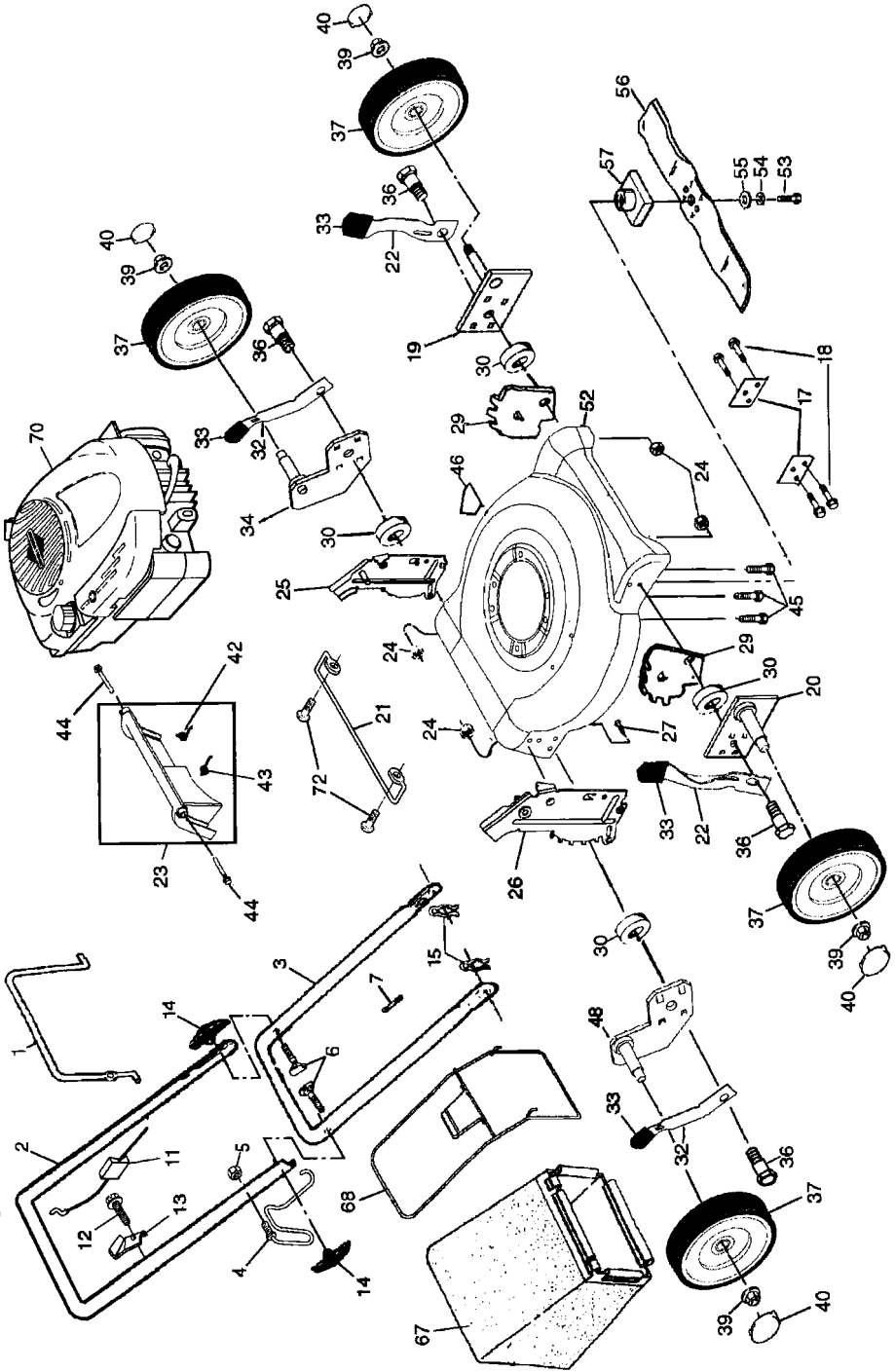


REPAIR PARTS MANUAL
MODEL NUMBER 371470
Rotary Lawn Mower

CRAFTSMAN®

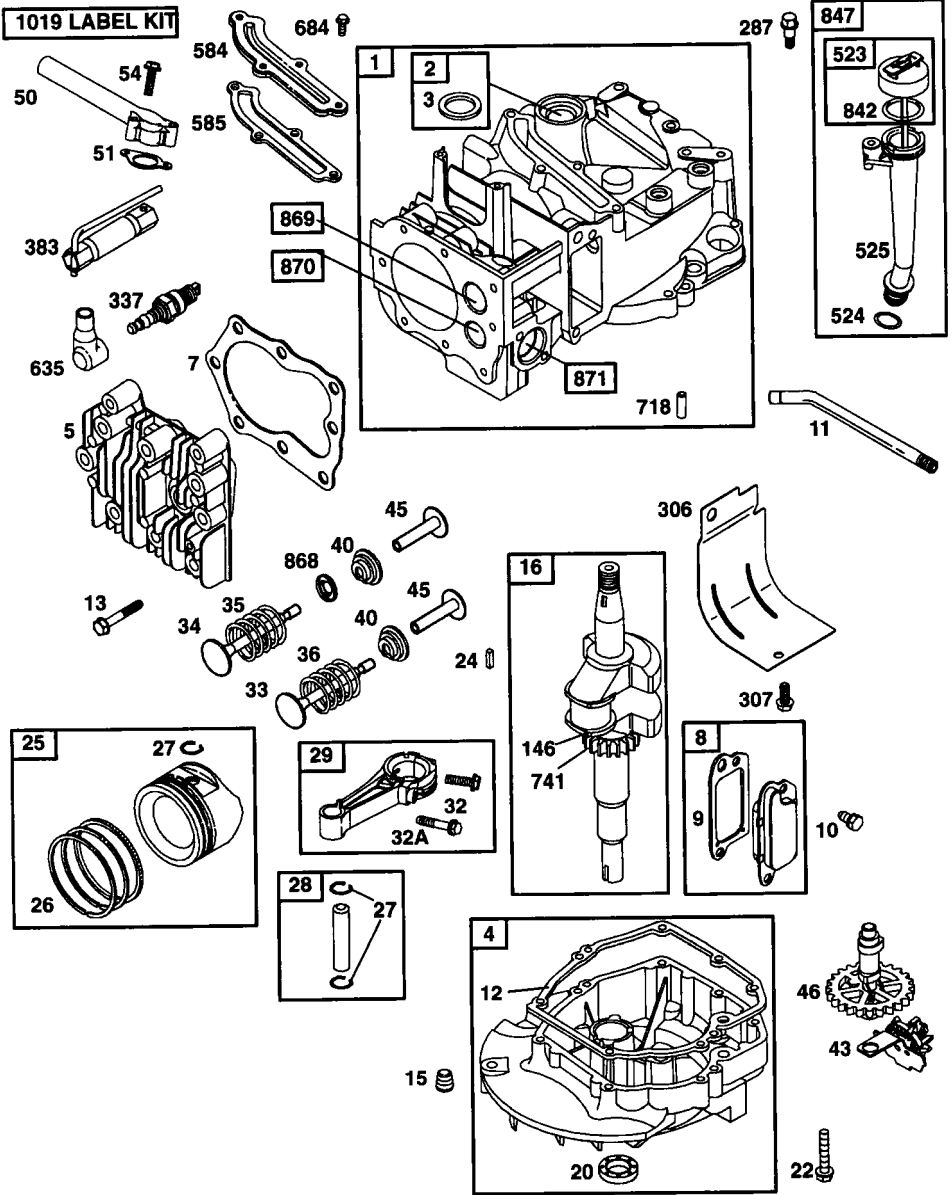
CRAFTSMAN ROTARY LAWN MOWER -- MODEL NUMBER 917.371470

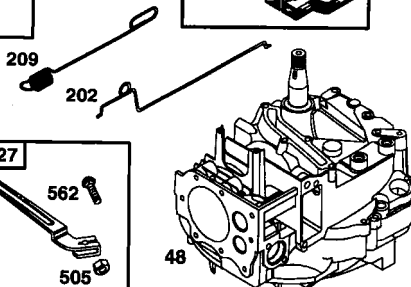
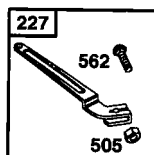
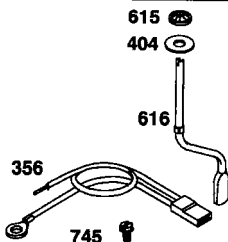
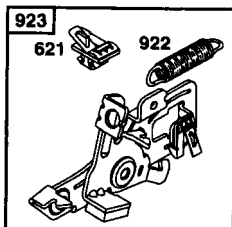
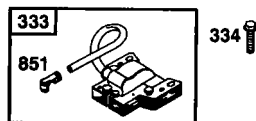
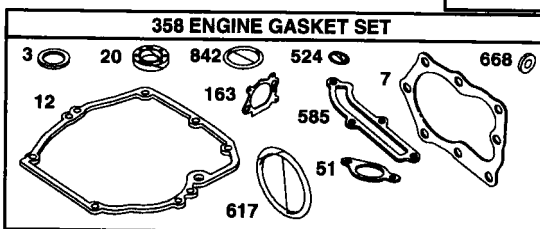
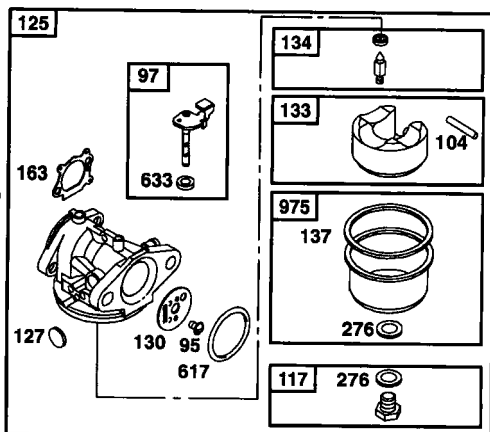
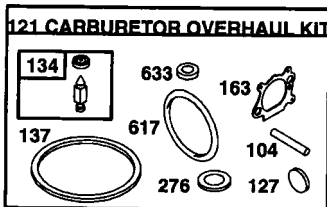
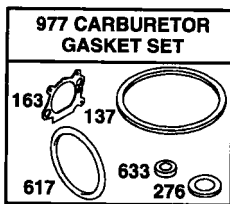
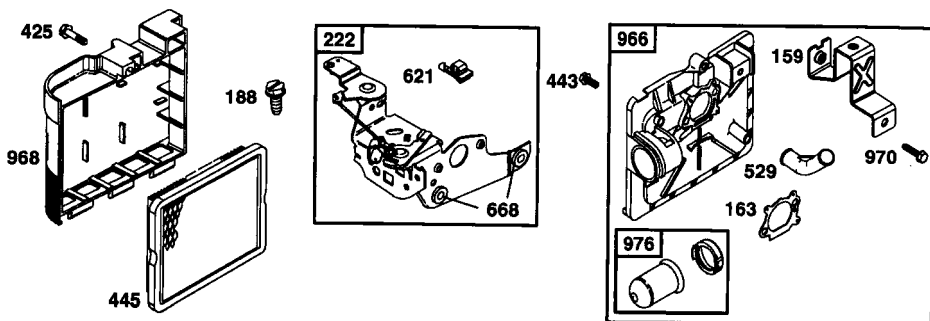


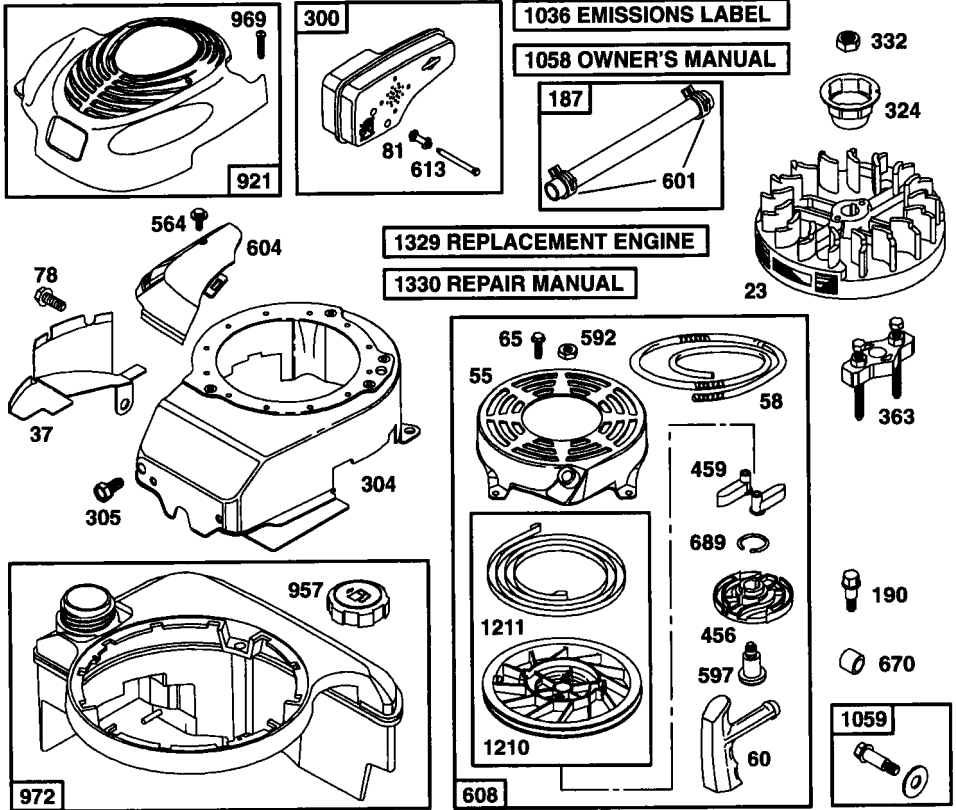
CRAFTSMAN ROTARY LAWN MOWER - - MODEL NUMBER 917.371470

KEY NO.	PART NO.	DESCRIPTION	KEY NO.	PART NO.	DESCRIPTION
1	86902	Control Bar	40	77400	Hubcap
2	169709X479	Upper Handle	42	165766	Spring, Left
3	169708X479	Lower Handle	43	165767	Spring, Right
4	186079	Rope Guide / Anti-Fold Bracket	44	184193	Door Bolt
5	132004	Locknut 1/4-20	45	150406	Hex Head Thread Rolling Screw 3/8-16 x 1
6	131959	Handle Bolt	46	182166	Danger Decal
7	66426	Wire Tie	48	186575X004	Axle Arm Assembly, Right Rear
11	176556	Engine Zone Control Cable	52	190181	Housing Assembly (Includes Key #17, 18 and 46)
12	750634	Hex Washer Head Screw #10-24 x 1/2	53	851084	Hex Head Screw 3/8-24 x 1-3/8 Grade 8
13	86999X004	Up-Stop Bracket	54	850263	Helical Lockwasher
14	136376	Handle Knob	55	851074	Hardened Washer
15	51793	Hairpin Cotter	56	165833	21" Blade
17	165946X479	Support Bracket	57	184590	Blade Adapter
18	17600406	Screw	67	190183	Grass Bag
19	186577X004	Axle Arm Assembly, Left Front	68	189813	Frame, Grass Bag
20	186578X004	Axle Arm Assembly, Right Front	70	---	Engine, Briggs & Stratton, Model Number 123K02-0337-E1 (See Breakdown)
21	169423	Footguard	72	54583	Screw, Footguard
22	168360X004	Selector Spring, Front	--	190178	Operator's Manual, European
23	186612	Rear Door Assembly Kit (Includes Springs)	--	190179	Operator's Manual, Scandinavian
24	73930500	Nut, Centerlock 5/16-18	--	190180	Repair Parts Manual, English
25	166111X479	Handle Bracket Assembly, Left	Available accessories not included with lawn mower.		
26	166112X479	Handle Bracket Assembly, Right	71	33623	Gas Can (2.5 Gallon)
27	851856	Screw 1/4-20 x 3/8	71	33500	Fuel Stabilizer
29	160835X007	Wheel Adjusting Bracket, Front	71	33000	SAE 30W Oil (20 oz.)
30	183901	Spacer	71	33088	Clipping Deflector
32	169421X004	Selector Spring, Rear			
33	87877	Selector Knob			
34	186576X004	Axle Arm Assembly, Left Rear			
36	160828	Shoulder Bolt 5/16-18			
37	151155	Wheel Assembly			
39	83923	Flanged Locknut			

NOTE: All component dimensions given in U.S. inches.
1 inch = 25.4 mm







KEY NO.	PART NO.	DESCRIPTION
1	697322	Cylinder Assembly
2	399269	Kit-Bushing/Seal
3	299819	• Seal-Oil (Magneto Side)
4	493279	Sump-Engine
5	691160	Head-Cylinder
7	692249	• Gasket-Cylinder Head
8	695250	Breather Assembly
9	699472	Gasket-Breather
10	691125	Screw (Breather Assembly)
11	691260	Tube-Breather
12	692232	• Gasket-Crankcase
13	690912	Screw (Cylinder Head)
15	691680	Plug-Oil Drain
16	691450	Crankshaft
20	399781	• Seal-Oil (PTO Side)
22	691092	Screw (Engine Sump)
23	692315	Flywheel
24	222698	Key-Flywheel
25	697339	Piston Assembly (Standard Size)
	697340	Piston Assembly (.010" Oversize)
	697341	Piston Assembly (.020" Oversize)
	697342	Piston Assembly (.030" Oversize)

KEY NO.	PART NO.	DESCRIPTION
26	499425	Ring Set-Piston (Standard Size)
	499426	Ring Set-Piston (.010" Oversize)
	499427	Ring Set-Piston (.020" Oversize)
	499428	Ring Set-Piston (.030" Oversize)
27	691866	Lock-Piston Pin
28	499423	Pin-Piston
29	499424	Rod-Connecting
32	691664	Screw (Connecting Rod)
32A	695759	Screw (Connecting Rod)
33	262651	Valve-Exhaust
34	262652	Valve-Intake
35	691270	Spring-Valve (Intake)
36	691270	Spring-Valve (Exhaust)
37	694086	Guard-Flywheel
40	692194	Retainer-Valve
43	691997	Slinger-Governor/Oil
45	690548	Tappet-Valve
46	691449	Camshaft
48	498829	Short Block
50	497465	Manifold-Intake
51	272199	• Gasket-Intake
54	691650	Screw (Intake Manifold)

KEY NO.	PART NO.	DESCRIPTION	KEY NO.	PART NO.	DESCRIPTION
55	691421	Housing-Rewind Starter	592	690800	Nut (Rewind Starter)
58	692259	Rope-Starter (Cut to Length)	597	691696	Screw (Pawl Friction Plate)
60	281434	Grip-Starter Rope	601	95162	Clamp-Hose
65	690837	Screw (Rewind Starter)	604	698588	Cover-Control
78	691108	Screw (Flywheel Guard)	608	497680	Start-Rewind
81	691740	Lock-Muffler Screw	613	691340	Screw (Muffler)
95	691636	Screw (Throttle Valve)	615	690340	Retainer-Governor Shaft
97	696565	Shaft-Throttle	616	698801	Crank-Governor
104	691242	Ø Pin-Float Hinge	617	270344	*Ø‡ Seal-O Ring (Intake Manifold)
117	498978	Jet-Main (Standard)	621	692310	Switch-Stop
118	497466	Jet-Main (High Altitude)	633	691321	Ø‡ Seal-Throttle Shaft
121	498260	Kit-Carburetor Overhaul	635	66538	Boot-Spark Plug
125	498170	Carburetor	668	493823	• Spacer (Includes 2)
127	694468	Ø Plug-Weich	670	692294	Spacer-Fuel Tank
130	696564	Valve-Throttle	684	690345	Screw (Breather Passage Cover)
133	398187	Float-Carburetor	689	691855	Spring-Friction
134	398188	Ø Valve-Needle/Seat	718	690959	Pin-Locating
137	693981	Ø‡ Gasket-Float Bowl	741	691830	Gear-Timing
146	690979	Key-Timing	745	691648	Screw (Brake)
159	691753	Bracket-Air Cleaner Primer	832	499034	Guard-Muffler
163	272653	*Ø‡ Gasket-Air Cleaner	836	690664	Screw (Muffler Guard)
187	691050	Line-Fuel (Cut to Length)	842	691031	• Seal-O Ring (Dipstick Tube)
188	693399	Screw (Control Bracket)	847	692017	Assembly-Dipstick/Tube
190	690940	Screw (Fuel Tank)	851	493880	Terminal-Spark Plug
202	691829	Link-Mechanical Governor	868	697338	Seal-Valve
209	691292	Spring-Governor	869	691155	Seat-Valve (Intake)
222	692467	Bracket-Control	870	690380	Seat-Valve (Exhaust)
227	690783	Control Lever-Governor	871	262001	Bushing-Guide (Exhaust)
276	271716	Ø‡ Sealing Washer		63709	Bushing-Guide (Intake)
287	690940	Screw (Dipstick Tube)	921	698587	Cover-Blower Housing
300	692038	Muffler	922	692135	Spring-Brake
304	695892	Housing-Blower	923	695891	Brake
305	691108	Screw (Blower Housing)	957	397974	Cap-Fuel Tank
306	690450	Shield-Cylinder	966	496116	Base-Air Cleaner Primer
307	690345	Screw (Cylinder Shield)	968	692298	Cover-Air Cleaner
332	690662	Nut (Flywheel)	969	691138	Screw (Blower Housing Cover)
333	802574	Armature-Magneto	970	691669	Screw
334	691061	Screw (Armature Magneto)			(Air Cleaner Primer Bracket)
337	802592	Plug-Spark	972	693377	Tank-Fuel
356	692390	Wire-Stop	975	493640	Bowl-Float
358	497316	Engine Gasket Set	976	694395	Primer-Carburetor
363	19069	Flywheel Puller	977	498261	Set-Carburetor Gasket
365	692524	Screw (Carburetor)	1019	494256	Kit-Label
383	89838	Wrench-Spark Plug	1036	697457	Label-Emissions
404	690272	Washer (Governor Crank)	1058	275177	Owner's Manual
425	690670	Screw (Air Cleaner Cover)	1059	692311	Kit-Screw/Washer
443	692523	Screw (Air Cleaner Primer Base)	1210	498144	Assembly-Pulley/Spring (Pulley)
445	491588	Filter-Air Cleaner Cartridge	1211	498144	Assembly-Pulley/Spring (Spring)
455	691219	Cup-Flywheel	1329	123K02-0025	Replacement Engine
456	692299	Plate-Pawl Friction			(Transfer Exhaust)
459	281505	Pawl-Ratchet	1330	272147	Repair Manual
505	231082	Nut (Governor Control Lever)			
523	495264	Dipstick			
524	692296	• Seal-Dipstick Tube			• Included in Engine Gasket Set, Key No. 358
525	495265	Tube-Dipstick			Ø Included in Carburetor Overhaul Kit, Key No. 121
529	691923	Grommet			‡ Included in Carburetor Gasket Set, Key No. 977
562	92613	Bolt (Governor Control Lever)			
564	698589	Screw (Control Cover)			
584	692342	Cover-Breather Passage			
585	691879	• Gasket-Breather Passage			

NOTE: All component dimensions given in U.S. inches
1 inch = 25.4 mm

LIMITED TWO YEAR WARRANTY ON CRAFTSMAN POWER MOWER

For two years from date of purchase, when this Craftsman Lawn Mower is maintained, lubricated, and tuned up according to the operating and maintenance instructions in the owner's manual, Sears will repair free of charge any defect in material or workmanship.

If this Craftsman Lawn Mower is used for commercial or rental purposes, this warranty applies for only 90 days from the date of purchase.

This Warranty does not cover:

- Expendable items which become worn during normal use, such as rotary mower blades, blade adapters, belts, air cleaners and spark plug.
- Repairs necessary because of operator abuse or negligence, including bent crankshafts and the failure to maintain the equipment according to the instructions contained in the owner's manual.

Warranty service is available by returning the Craftsman power mower to the nearest Sears Parts & Repair Center in the United States. This warranty applies only while this product is used in the United States.

This Warranty gives you specific legal rights, and you may also have other rights which vary from state to state.

Sears, Roebuck And Co., D/817 WA, Hoffman Estates, IL 60179

CRAFTSMAN®