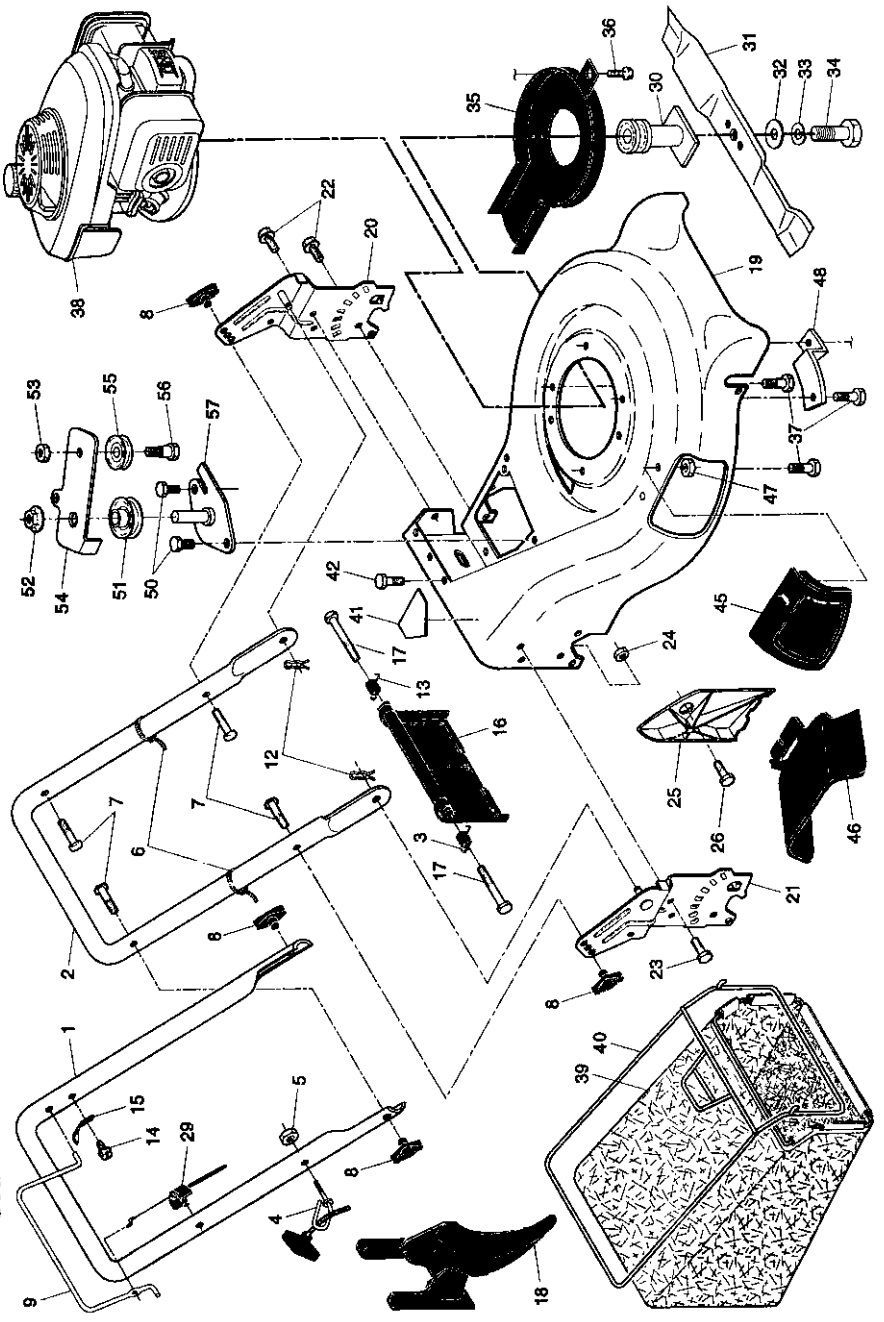


REPAIR PARTS MANUAL
MODEL NUMBER 37154
Rotary Lawn Mower

CRAFTSMAN®

CRAFTSMAN ROTARY LAWN MOWER -- MODEL NUMBER 37154 (371540)



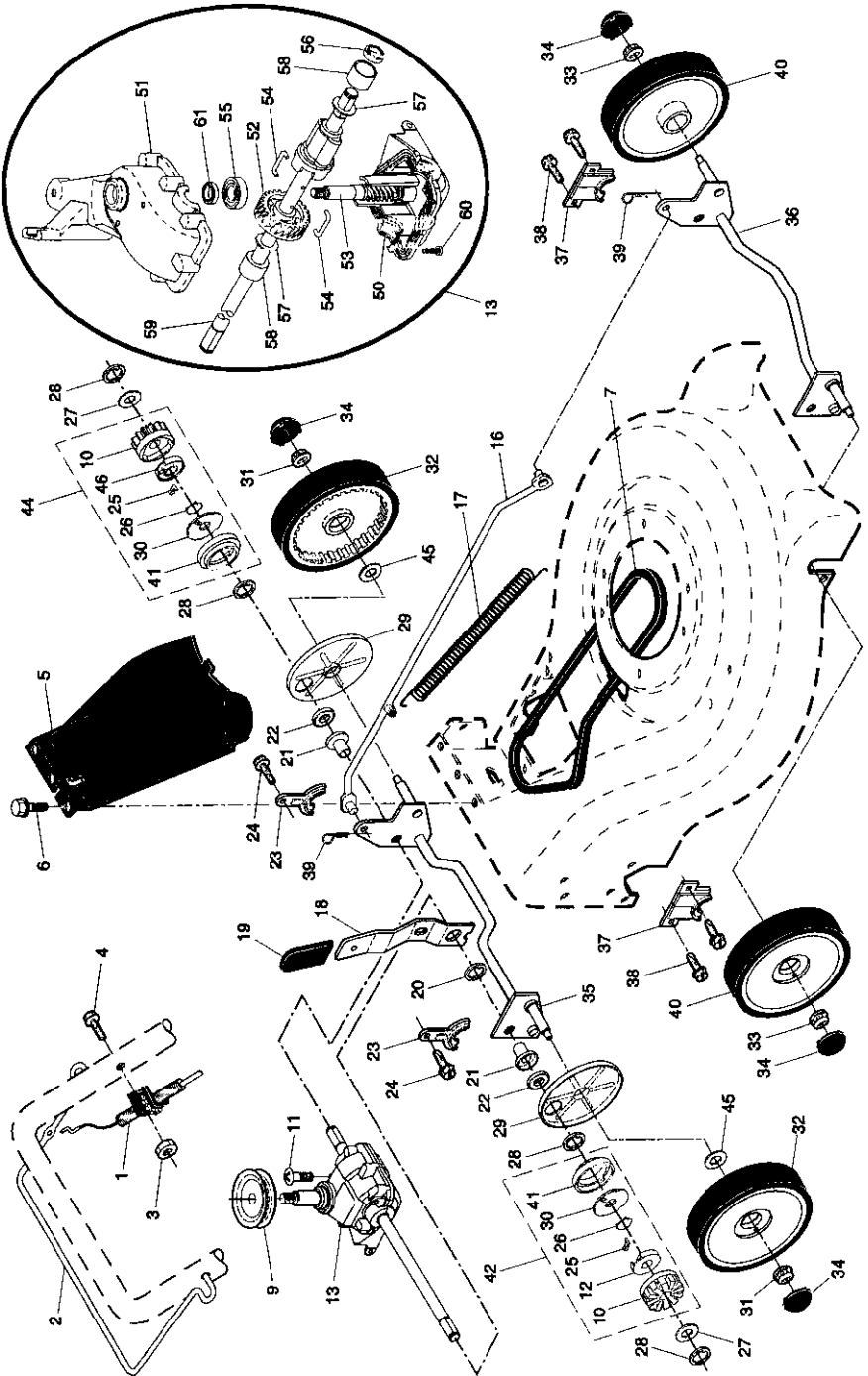
CRAFTSMAN ROTARY LAWN MOWER -- MODEL NUMBER 37154 (371540)

| KEY NO. | PART NO. | DESCRIPTION | KEY NO. | PART NO. | DESCRIPTION |
|---------|------------|--|---------|------------|---|
| 1 | 189663X479 | Handle, Upper | 33 | 850263 | Washer, Lock |
| 2 | 193664X479 | Handle, Lower | 34 | 851084 | Bolt, Hex Head |
| 3 | 186053 | Spring, Rear Door, RH | 35 | 188786 | Debris Shield |
| 4 | 179585 | Guide, Rope, Side | 36 | 192325 | Screw, Debris Shield |
| 5 | 132004 | Nut, Hex, with Lockwasher Insert 1/4-20 | 37 | 150406 | Bolt, Engine |
| 6 | 66426 | Wife, Tie | 38 | --- | Engine, Honda, Model Number GCV160-AS3A (See Breakdown) |
| 7 | 191574 | Bolt, Handle 5/16-18 x 2-5/8 | 39 | 194445 | Grassbag |
| 8 | 189713X428 | Knob, Handle | 40 | 188817 | Frame, Grassbag |
| 9 | 182810 | Control Bar | 41 | 182166 | Danger Decal |
| 12 | 51793 | Cotter, Hairpin | 46 | 169699X428 | Mulcher Door, Multi-Use |
| 13 | 186052 | Spring, Rear Door, LH | 45 | 183058X428 | Discharge Deflector |
| 14 | 750634 | Screw | 47 | 88349 | Nut, Hex |
| 15 | 850733X004 | Bracket, Upstop | 48 | 188839X004 | Mounting Bracket, Debris Shield |
| 16 | 185855X428 | Rear Door Assembly | 50 | 57808 | Screw |
| 17 | 184193 | Bolt, Rear Door | 51 | 193791 | Pulley |
| 18 | 187535 | Plug, Mulcher | 52 | 145212 | Nut, Hex, Flanged |
| 19 | 190169 | Kit, Housing | 53 | 155552 | Locknut |
| 20 | 193917X479 | Handle Bracket Assembly, Left | 54 | 193792X004 | Idle Arm |
| 21 | 193916X479 | Handle Bracket Assembly, Right | 55 | 166043 | Shoulder Bolt |
| 22 | 150078 | Screw, Hex Washer Head | 56 | 160829 | Bracket Assembly |
| 23 | 163183 | Bolt, Hex Head 5/16-18 x 5/8 | 57 | 193315X004 | Warning Decal (not shown) |
| 24 | 738005000 | Nut, Hex, with Lockwasher Insert 5/16-18 | -- | --- | Operator's Manual, European |
| 25 | 161333 | Baffle, Side | -- | --- | Operator's Manual, Scandinavian |
| 26 | 163409 | Screw #12 x 5/8 | -- | --- | Repair Parts Manual, English |
| 29 | 183567 | Cable, Engine Zone Control | -- | --- | |
| 30 | 189179 | Blade Adapter / Pulley | -- | --- | |
| 31 | 165833 | Blade, 21" | -- | --- | |
| 32 | 851074 | Washer | | | |

NOTE: All component dimensions given in U.S. inches.
1 inch = 25.4 mm

IMPORTANT: Use only Original Equipment Manufacturer (O.E.M.) replacement parts. Failure to do so could be hazardous, damage your lawn mower and void your warranty.

CRAFTSMAN ROTARY LAWN MOWER -- MODEL NUMBER 37154 (371540)



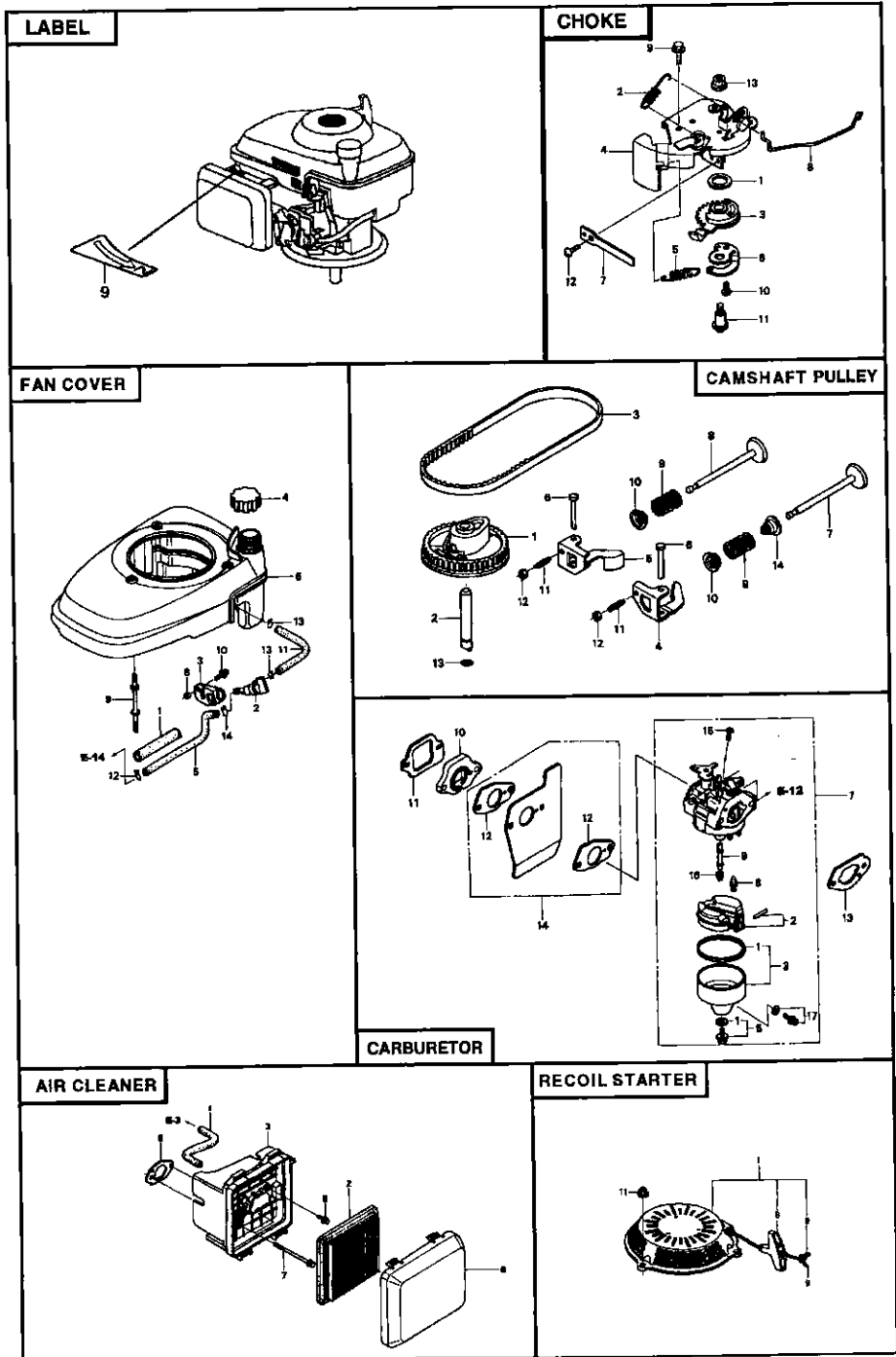
CRAFTSMAN ROTARY LAWN MOWER -- MODEL NUMBER 37154 (371540)

| KEY NO. | PART NO. | DESCRIPTION | KEY NO. | PART NO. | DESCRIPTION |
|---------|------------|---------------------------------------|---------|------------|------------------------|
| 1 | 189181 | Drive Control Assembly | 33 | 83923 | Nut, Flangelock 3/8-16 |
| 2 | 189952X428 | Control Bar, Drive | 34 | 77400 | Hubcap, Mag, Platinum |
| 3 | 751152 | Nut, Hex | 35 | 193440X004 | Shaft Assembly, Rear |
| 4 | 185681 | Screw | 36 | 193438X004 | Shaft Assembly, Front |
| 5 | 194730X428 | Cover Drive | 37 | 161463 | Retainer, Front Shaft |
| 6 | 750634 | Screw, Threaded, Rolled #10-25 x .50 | 38 | 163409 | Screw #12 x 5/8 |
| 7 | 182212 | V-Belt | 39 | 700279 | Clip, Retainer |
| 9 | 194128 | Pulley Assembly | 40 | 151155 | Wheel 8 x 2 |
| 10 | 175103 | Pinion, Gear | 41 | 184172 | Seal, Friction |
| 11 | 187653 | Screw | 42 | 186330 | Pinion Assembly, RH |
| 12 | 175102 | Retainer, Drive, RH | 44 | 188331 | Pinion Assembly, LH |
| 13 | 186645 | Gear Case Assembly, Complete | 45 | 67725 | Washer |
| 16 | 161584 | Rod, Connecting | 46 | 175105 | Retainer, Drive, LH |
| 17 | 161602 | Spring, Extension | 50 | 187530 | * Case, Lower |
| 18 | 193663X004 | Spring, Selector | 51 | 187531 | * Case, Upper |
| 19 | 167650 | Knob, Selector Spring | 52 | 187532 | Gear, 24 Teeth |
| 20 | 12000022 | E-Ring 7/8 | 53 | 187533 | Shaft, Input |
| 21 | 163365 | Bearing, Support | 54 | 183505 | Wire, Formed |
| 22 | 169911 | Bearing, Ball | 55 | 183506 | Bearing, Ball |
| 23 | 161118X004 | Retainer, Drive Assembly | 56 | 183508 | Seal, Output Shaft |
| 24 | 57808 | Screw, Tapping, Hex Head 1/4-20 x .75 | 57 | 183509 | Washer |
| 25 | 175098 | Pawl | 58 | 183511 | Bushing |
| 26 | 188291 | Spring, Torsion | 59 | 191249 | Shaft, Output |
| 27 | 52160 | Washer, Shim (as required) | 60 | 183513 | Screw |
| 28 | 12000058 | E-Ring 7/16 | 61 | 183514 | Seal, Input Shaft |
| 29 | 189403 | Cover, Dust, Wheel | | | |
| 30 | 175104 | Disc, Drive | | | |
| 31 | 145212 | Nut, Flangelock | | | |
| 32 | 180772 | Wheel 9 x 2 | | | |

* Use Dow Corning #709 to reseat Gear Case Halves.

NOTE: All component dimensions given in U.S. inches.
1 inch = 25.4 mm

IMPORTANT: Use only Original Equipment Manufacturer (O.E.M.) replacement parts. Failure to do so could be hazardous, damage your lawn mower and void your warranty.



LABELS

| KEY PART NO. NO. | DESCRIPTION |
|------------------|------------------------|
| 9 7400187 | Mark, Choke Indication |

CHOKE

| KEY PART NO. NO. | DESCRIPTION |
|------------------|----------------------------|
| 1 7257157 | Seal, Choke Lever |
| 2 4209581 | Spring, Cable Return |
| 3 7257165 | Lever, Choke |
| 4 7257173 | Base Comp., Choke |
| 5 7257181 | Spring, Choke Lever |
| 6 7257199 | Hook, Choke Spring |
| 7 7257207 | Plate, Choke |
| 8 7229867 | Rod, Stop |
| 9 0747733 | Bolt, Flange #6 x 16 |
| 10 3674413 | Screw, Tapping #4 x 8 (PO) |
| 11 2544690 | Screw, Pan Head #5 x 19 |
| 12 0369017 | Screw, Pan Head #4 x 8 |
| 13 0636951 | Nut, Flange 5 mm |

FAN COVER

| KEY PART NO. NO. | DESCRIPTION |
|------------------|----------------------------|
| 1 3683646 | Rubber Supporter (107 mm) |
| 2 7357379 | Cock Assembly, Fuel |
| 3 5189352 | Bracket, Fuel Cock |
| 4 6673289 | Cap Assembly, Fuel Tank |
| 5 5580469 | Tube, Fuel |
| 6 7399371 | Cover Comp., Fan (T89) |
| 8 6978399 | Collar, Fuel Cock |
| 9 5581004 | Bolt, Stud |
| 10 0671836 | Screw, Washer Head #5 x 10 |
| 11 6754279 | Tube, Fuel Tank |
| 12 0250647 | Clip, Tube (B8) |
| 13 0250985 | Clip, Tube (1310) |
| 14 0053447 | Clip, Tube (C9) |

RECOIL STARTER

| KEY PART NO. NO. | DESCRIPTION |
|------------------|--------------------------|
| 1 6092886 | Starter Assembly, Recoil |
| 8 5580634 | Grip, Starter |
| 9 5580642 | Rope, Recoil Starter |
| 11 6478812 | Nut, Flange 6 mm |

CAMSHAFT PULLEY

| KEY PART NO. NO. | DESCRIPTION |
|------------------|-------------------------------|
| 1 7049679 | Pulley Comp., Camshaft |
| 2 5580063 | Shaft, Cam Pulley |
| 3 7058985 | Belt, Timing (84HU7 G200) |
| 4 5580089 | Rocker Arm, Intake Valve |
| 5 5580097 | Rocker Arm, Exhaust Valve |
| 6 5580105 | Shaft, Rocker Arm |
| 7 5580113 | Valve, Intake |
| 8 5580121 | Valve, Exhaust |
| 9 5580139 | Spring, Valve |
| 10 1426980 | Retainer, Intake Valve Spring |
| 11 0294819 | Screw, Tappet Adjusting |
| 12 0004598 | Nut, Tappet Adjusting |
| 13 6315873 | O Ring 6.8 x 1.9 (AFAI) |
| 14 6839831 | Seal, Valve Stem |

CARBURETOR

| KEY PART NO. NO. | DESCRIPTION |
|------------------|-------------------------------|
| 1 3088416 | Packing Set |
| 2 5580162 | Float Set |
| 3 3465879 | Chamber Set, Float |
| 5 1441518 | Screw Set |
| 7 7301138 | Carburetor Assesmbly (BB62GA) |
| 8 5580212 | Valve, Float |
| 9 5580220 | Nozzle, Main |
| 10 5580238 | Insulator, Carburetor |
| 11 5580246 | Packing, Insulator |
| 12 4581120 | Packing, Carburetor |
| 13 5580253 | Packing, Carburetor |
| 14 5580535 | Guide Comp., Air |
| 15 0639419 | Screw, Pan Head #5 x 6 |
| 16 0635474 | Jet, Main #60 |
| 0635482 | Jet, Main #62 |
| 0636126 | Jet, Main #65 |
| 17 1672187 | Screw Set, Drain |

AIR CLEANER

| KEY PART NO. NO. | DESCRIPTION |
|------------------|------------------------------|
| 1 5720289 | Tube, Breather |
| 2 6718159 | Element, Air Cleaner |
| 3 5580410 | Case Assembly, Air Cleaner |
| 5 5664560 | Packing, Air Cleaner |
| 6 6673255 | Cover, Air Cleaner |
| 7 5580964 | Bolt, Flange #6 x 86 (CT200) |
| 8 2374742 | Bolt, Flange #6 x 14 |

FLYWHEEL

| KEY PART NO. | NO. | DESCRIPTION |
|--------------|---------|---------------------------------|
| 1 | 0348433 | Key, Special, Woodruff #25 x 18 |
| 3 | 6859722 | Coil Assembly, Ignition |
| 4 | 6859714 | Flywheel Assembly |
| 5 | 6315816 | Cord, Stop Switch |
| 6 | 5580683 | Switch Assembly, Engine Stop |
| 8 | 5580790 | Spring, Brake Lever |
| 10 | 0803619 | Bolt, Flange #6 x 14 (CT200) |
| 11 | 1725050 | Bolt, Flange #6 x 23 (CT200) |
| 12 | 0671552 | Bolt, Flange #6 x 20 (CT200) |
| 13 | 0442038 | Nut, Special 14 mm |
| 15 | 0485946 | Screw, Washer Head #4x12 |
| 16 | 1510361 | Washer, Plain 4 mm |
| 19 | 1824630 | Clip A, Cable |
| 20 | 1240845 | Grommet A, Rear Cover |
| 21 | 7301591 | Brake Sub-Assembly |

CYLINDER BARREL

| KEY PART NO. | NO. | DESCRIPTION |
|--------------|---------|------------------------------|
| 1 | 6842413 | Barrel Assembly, Cylinder |
| 2 | 2399780 | Clip, Valve Guide |
| 3 | 5579990 | Cover, Head |
| 4 | 5580006 | Cover Comp., Breather |
| 5 | 0636845 | Bolt, Flange #6 x 12 (CT200) |
| 6 | 0803619 | Bolt, Flange #6 x 14 (CT200) |
| 7 | 5581038 | Oil Seal 25A x 62 x 6 |
| 8 | 1441112 | Plug, Spark (BPR6ES) (NGK) |
| 9 | 1899848 | Guide, Exhaust Valve (O.S.) |

PISTON / CONNECTING ROD

| KEY PART NO. | NO. | DESCRIPTION |
|--------------|---------|----------------------------|
| 1 | 5580014 | Piston |
| 2 | 1426576 | Pin, Piston |
| 3 | 5580022 | Rod Assembly, Connecting |
| 4 | 1431055 | Bolt, Connecting Rod |
| 5 | 2605517 | Clip, Piston Pin 13 mm |
| 6 | 5655949 | Ring Set, Piston (Riken) |
| | 7154727 | Ring Set, Piston (Taikoku) |

CRANKSHAFT

| KEY PART NO. | NO. | DESCRIPTION |
|--------------|---------|------------------|
| 3 | 5664495 | Crankshaft Comp. |
| 5 | 5581012 | Washer, Thrust |

OIL PAN

| KEY PART NO. | NO. | DESCRIPTION |
|--------------|---------|------------------------------|
| 1 | 6771489 | Pan Assembly, Oil |
| 2 | 5716915 | Gauge Assembly, Oil Level |
| 4 | 1452754 | Packing, Oil Filler cap |
| 5 | 5664503 | Extension, Oil Filler |
| 6 | 5664511 | Washer, Extension Rock |
| 8 | 6384341 | Shaft Comp., Governor Holder |
| 9 | 6384333 | Governor Assembly |
| 10 | 5580287 | Weight, Governor |
| 11 | 5580295 | Holder, Governor Weight |
| 12 | 1427244 | Pin, Governor Weight |
| 13 | 1427251 | Slider, Governor |
| 14 | 5580303 | Shaft, Governor Arm |
| 15 | 0803619 | Bolt, Flange #6 x 14 (CT200) |
| 16 | 0748111 | Bolt, Flange #6 x 25 |
| 17 | 2413862 | Washer, Thrust 6 mm |
| 18 | 2456697 | Clip, Governor Holder |
| 19 | 5581046 | Oil Seal 28 x 41.25 x 6 |
| 20 | 1377704 | O Ring 14.8 x 2.4 (NOK) |
| 21 | 0345900 | Washer, Plain 6 mm |
| 22 | 0115527 | Pin, Lock 8 mm |
| 23 | 1417369 | Dowel Pin #8 x 20 |

MUFFLER

| KEY PART NO. | NO. | DESCRIPTION |
|--------------|---------|------------------------------|
| 1 | 5580485 | Muffler Comp. |
| 2 | 5664610 | Protector, Muffler (CBU) |
| 3 | 5580972 | Bolt, Flange #6 x 79 (CT200) |
| 4 | 0636845 | Bolt, Flange #6 x 12 (CT200) |
| 5 | 5737457 | Gasket, Muffler |
| 6 | 5656012 | Arrester, Spark |
| 7 | 5611397 | Plate, Arrester Number |
| 8 | 1431121 | Screw, Tapping #4 x 6 |

SERVICE NOTES

SERVICE NOTES

LIMITED TWO YEAR WARRANTY ON CRAFTSMAN POWER MOWER

For two years from date of purchase, when this Craftsman Lawn Mower is maintained, lubricated, and tuned up according to the operating and maintenance instructions in the owner's manual, Sears will repair free of charge any defect in material or workmanship.

If this Craftsman Lawn Mower is used for commercial or rental purposes, this warranty applies for only 90 days from the date of purchase.

This Warranty does not cover:

- Expendable items which become worn during normal use, such as rotary mower blades, blade adapters, belts, air cleaners and spark plug.
- Repairs necessary because of operator abuse or negligence, including bent crankshafts and the failure to maintain the equipment according to the instructions contained in the owner's manual.

Warranty service is available by returning the Craftsman power mower to the nearest Sears Parts & Repair Center in the United States. This warranty applies only while this product is used in the United States.

This Warranty gives you specific legal rights, and you may also have other rights which vary from state to state.

Sears, Roebuck And Co., D/817 WA, Hoffman Estates, IL 60179

CRAFTSMAN®