

SEARS

CRAFTSMAN[®]

MODEL NUMBER 917.373981

OWNER'S MANUAL

3one[™]
Convertible



- **Assembly**
- **Operation**
- **Customer Responsibilities**
- **Service**
- **Adjustments**
- **Repair Parts**

Caution:
Read and Follow
all Safety Rules
and Instructions
Before Operating
This Equipment

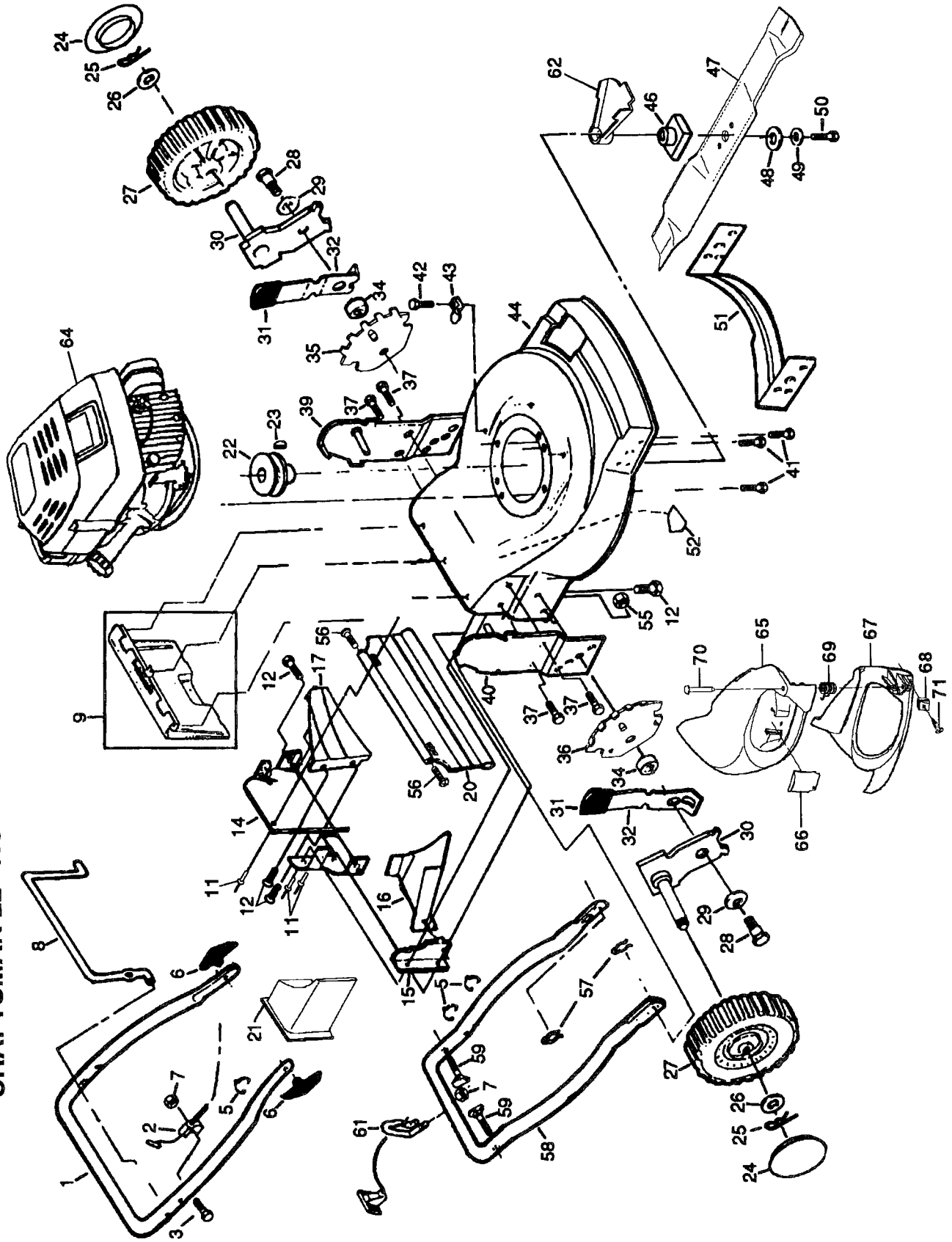
144815 03/21/94

Printed in U.S.A.

Sears, Roebuck and Co., Hoffman Estates, IL 60179 U.S.A.

REPAIR PARTS

CRAFTSMAN 22" ROTARY LAWN MOWER MODEL NUMBER 917.373981



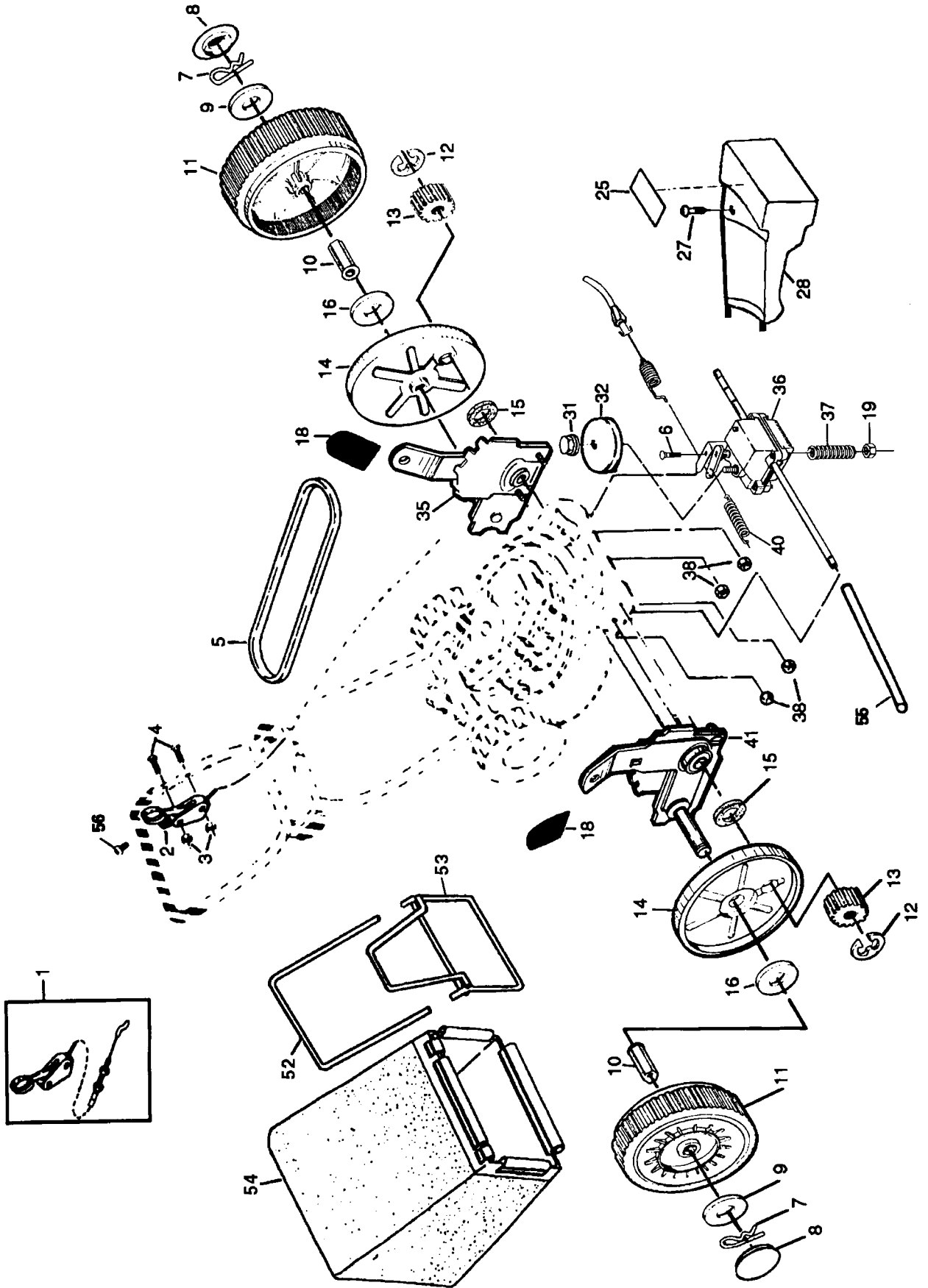
REPAIR PARTS

CRAFTSMAN 22" ROTARY LAWN MOWER MODEL NUMBER 917.373981

KEY NO.	PART NO	DESCRIPTION	KEY NO.	PART NO	DESCRIPTION
1	133088X479	Upper Handle	43	87930	Guide Clip
2	130861	Engine Zone Control Cable	44	48377	Lawn Mower Housing (Incl. Key #14,15,51 &52)
3	74350424	Hex Head Bolt 1/4-20 x 1-1/2	46	851514	Blade Adapter
5	85827	Cable Clip	47	141114	Blade 22"
6	136376	Handle Knob	48	851074	Hardened Washer
7	STD541425	Locknut 1/4-20	49	850263	Helical Washer 3/8-24 x 1-3/8 Grd. 8
8	851509	Control Bar	50	851084	Hex Head Machine Screw 3/8-24 x 1-3/8 Grd. 8
9	48137	Rear Door Kit	51	700869X479	Front Baffle
11	128415	Pop Rivets	52	85463	Danger Decal
12	STD512505	Hex Tapping Screw 1/4-20 x 1/2	55	751592	Locknut 3/8-16
14	700483X479	Back Plate	56	88652	Hinge Screw
15	700365X479	Side Baffle	57	51793	Hairpin Cotter
16	133190X479	Discharge Baffle	58	84676X479	Lower Handle
17	140661X479	Rear Baffle	59	131959	Handle Bolt
20	140540	Rear Skirt	61	103672X	Rope Guide
21	702813	Mulcher Plug	62	134612	Debris Shield
22	85543	Engine Pulley	64	141137	Engine - Craftsman - Model No. 143.945504
23	87677	Hi-Pro Key #505	65	701458	Door
24	77400	Hubcap	66	752240X479	Door Latch
25	85179	Retainer Clip	67	702807	Side Discharge Guard
26	52160	Washer	68	141839	Speed Nut
27	700781	Wheel & Tire Assembly	69	702808	Hinge Spring
28	84921	Shoulder Bolt 3/8-16	70	702809	Hinge Rod
29	62335	Belleville Washer	71	141841	Screw
30	85021X004	Axle Arm Assembly	--	141763	Decal
31	701037	Selector Knob	--	144815	Owner's Manual
32	850855X004	Selector Spring	Available accessories not included with lawn mower:		
34	84920	Spacer	71	33723	High Wheel Kit
35	133759X007	Wheel Adjusting Bracket (Left)	71	33623	Gas Can (2.5 gal.)
36	133757X007	Wheel Adjusting Bracket (Right)	71	33500	Fuel Stabilizer
37	55187	Thread Cutting Screw 5/16-18 x 3/4	71	33300	SAE 30W Oil (20 oz.)
39	140629X459	Handle Bracket Assembly (Left)	71	33417	Dust Shield
40	140628X459	Handle Bracket Assembly (Right)	71	33316	Mower Cover
41	850998	Hex Head Thread Rolling Screw 3/8-16 x 1-1/8			
42	750097	Hex Washer Head Screw #10-24 x 1/2			

REPAIR PARTS

CRAFTSMAN 22" ROTARY LAWN MOWER MODEL NUMBER 917.373981



REPAIR PARTS

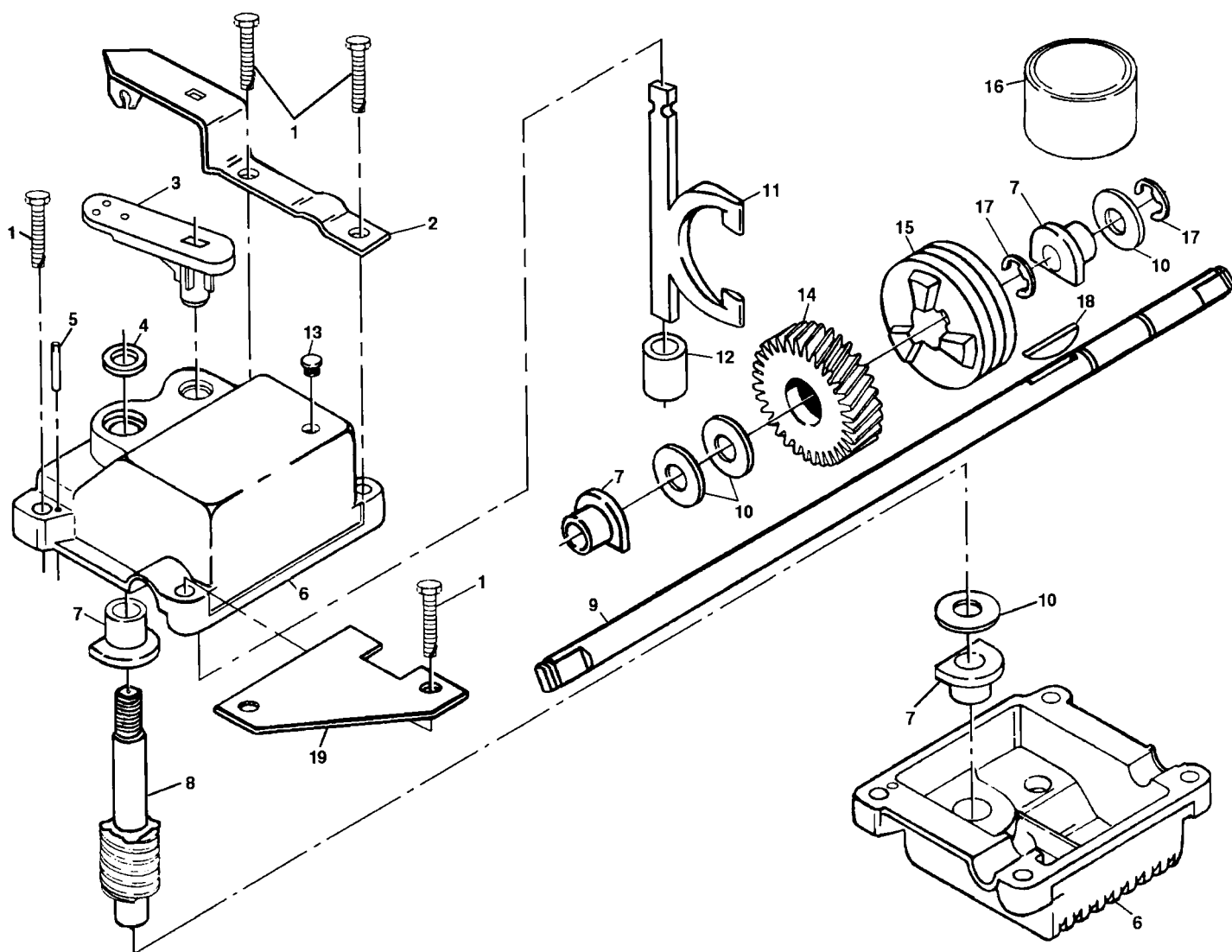
CRAFTSMAN 22" ROTARY LAWN MOWER MODEL NUMBER 917.373981

KEY NO.	PART NO.	DESCRIPTION	KEY NO.	PART NO.	DESCRIPTION
1	48029	Drive Head Kit	19	63601	Hex Locknut 1/4-20
2	137076	Drive Control	25	141764	Drive Cover Decal
3	69180	Locknut #10-24	27	143603	Hex Washer Head Screw #10-24 x 3/4
4	750029	Pan Head Machine Screw #10-24 x 2	28	702806	Drive Cover
5	137078	V-Belt	31	132010	Hex Flange Nut
6	700875	Carriage Bolt 1/4-20 x 2-3/4	32	137052	Drive Pulley
7	85179	Retainer Clip	35	751809	Wheel Adjuster Assembly (Left)
8	77400	Hubcap	36	702511	Gear Case Assembly
9	52160	Washer	37	137090	Spring
10	86960	Nylon Bushing	38	STD541425	Hex Locknut 1/4-20
11	700783	Wheel & Tire Assembly	40	75192	Spring
12	12000058	E-Ring	41	751810	Wheel Adjuster Assembly (Right)
13	137054	Pinion	52	144748	Frame Tube
14	88080	Dust Cover	53	144747	Catcher Frame
15	88118	Felt Washer	54	141245	Grassbag Assembly
16	67725	Washer 1/2 x 1-1/2 x .134	55	86012	Driveshaft Cover
18	701037	Selector Knob	56	851552	Hi-Lo Pan Head Screw #10-16 x 1/2

REPAIR PARTS

22" ROTARY LAWN MOWER - - MODEL NO. 917.373981

GEAR CASE ASSEMBLY PART NUMBER 702511

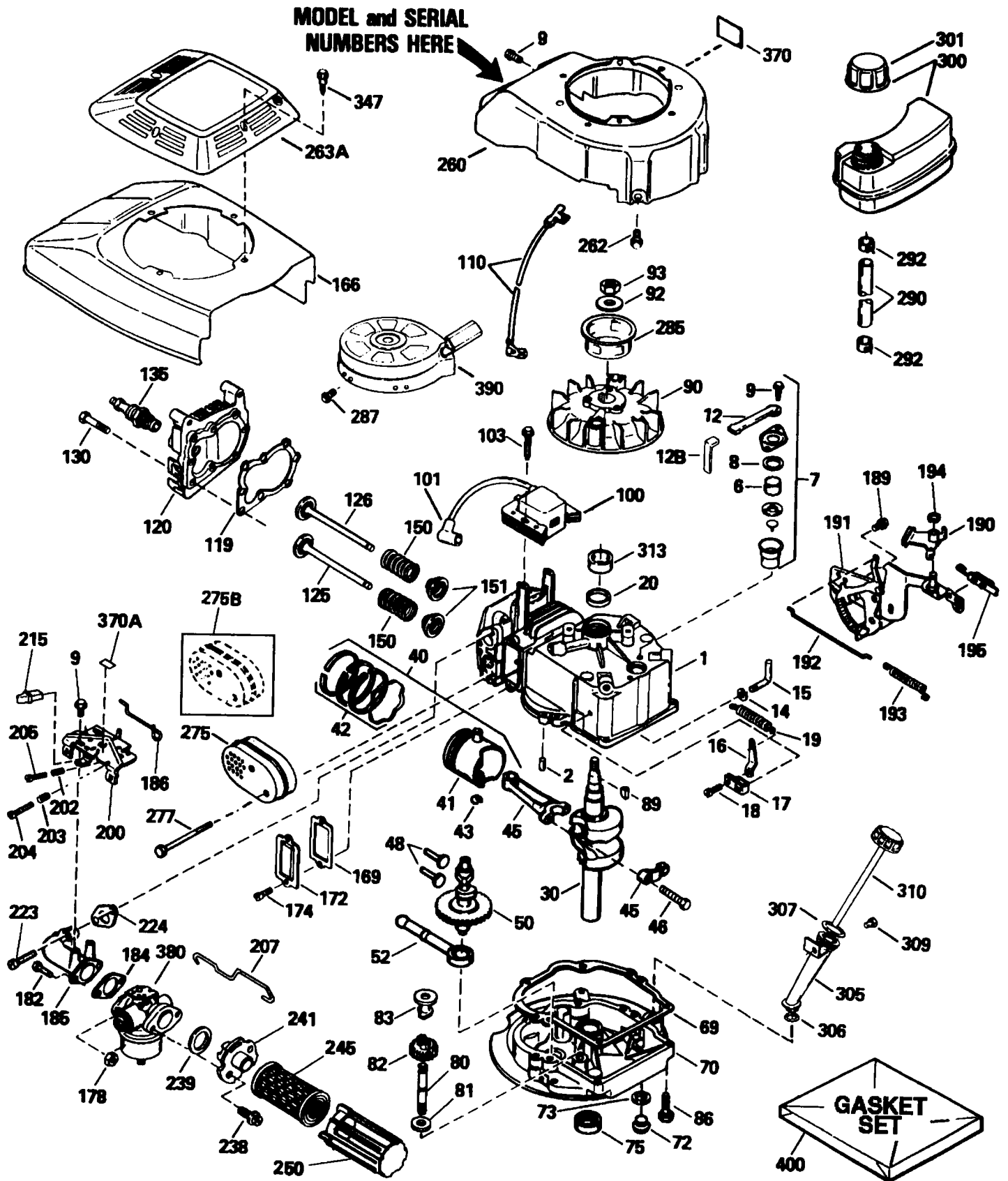


KEY NO.	PART NO.	DESCRIPTION
1	17490416	Tapping Screw 1/4-20 x 1-1/4
2	137055X004	Engagement Bracket
3	137053	Shifter
4	57072	Seal
5	702710	Grooved Pin 1/8 x 5/8
6	48373	Gear Case Halves Kit (Includes Key Nos. 4, 5, and 7)
7	77881	Bearing
8	137051	Worm Shaft
9	137074	Drive Shaft
10	57079	Hardened Washer
11	131484	Clutch Yoke
12	700343	Bushing

KEY NO.	PART NO.	DESCRIPTION
13	86447	Plug
14	137050	Helical Gear
15	750436X	Clutch Jaw
16	750369	Grease
17	12000003	E-Ring
18	850848	Hi-Pro Key
19	81585X004	Spring Bracket

NOTE: To reseal housing halves use Locktite No. 515, Part No. 77923

NOTE: All component dimensions given in U.S. inches.
1 inch = 25.4 mm



CRAFTSMAN 4-CYCLE ENGINE

MODEL NO. 143.945504

REF NO.	PART NO.	DESCRIPTION	REF NO.	PART NO.	DESCRIPTION
1	36478	Cylinder (Includes Ref. #2 and 20)	169	27234A	* Valve Cover Gasket
2	26727	Dowel Pin	172	32755	Valve Cover
6	33734	Breather Element	174	30200	Screw #10-24 x 9/16
7	34214A	Breather Assembly (Includes Reference #6, 8, 9, 12 and 12B)	178	29752	Nut & Lock Washer 1/4-28
8	33735	* Breather Gasket	182	6201	Screw 1/4-28 x 7/8
9	30200	Screw #10-24 x 9/16	184	26756	* Carburetor To Intake Pipe Gasket
12	33886	Breather Tube	185	31384A	Intake Pipe (Includes Ref. #224)
12B	34695	Breather Tube Elbow	186	34337	Governor Link
14	28277	Washer	189	650839	Screw 1/4-20 x 3/8
15	30589	Governor Rod (Includes Ref. #14)	190	35831	Brake Lever
16	31383A	Governor Lever	191	35039B	S.E. Brake Bracket (Includes #195)
17	31335	Governor Lever Clamp	192	34966	Brake Control Link
18	650548	Screw #8-32 x 5/16	193	34965	Brake Spring
19	36281	Extension Spring	194	32309	Retaining Ring
20	32600	Oil Seal	195	610973	Terminal
30	35801	Crankshaft	200	35727	Control Bracket (Incl. #202-205)
40	36073	Piston, Pin & Ring Set, Std. Size	202	36482	Compression Spring
	36074	Piston, Pin & Ring Set, .010" Over	203	31342	Compression Spring
	36075	Piston, Pin & Ring Set, .020" Over	204	650549	Screw #5-40 x 7/16
41	36070	Piston & Pin Assembly, Std. Size	205	650777	Screw #6-32 x 21/32
	36071	Piston & Pin Assembly, .010" Over	207	34336	Throttle Link
	36072	Piston & Pin Assembly, .020" Over (Assemblies Include Reference #43)	215	35511	Control Knob
42	36076	Ring Set, Piston, Standard Size	223	650451	Screw 1/4-20 x 1
	36077	Ring Set, Piston, .010" Oversize	224	34690A	* Intake Pipe Gasket
	36078	Ring Set, Piston, .020" Oversize	238	650932	Screw #10-32 x 49/64
43	20381	Piston Pin Retaining Ring	239	34338	* Air Cleaner Gasket
45	32875	Connecting Rod Assy. (Incl. #46)	241	35797	Air Cleaner Collar
46	32610A	Connecting Rod Bolt	245	35066	Air Cleaner Filter
48	27241	Valve Lifter	250	35065	Air Cleaner Cover
50	35992	Camshaft (MCR)	260	35826	Blower Housing
52	29914	Oil Pump Assembly	262	650831	Screw #1/4-20 x 1/2
69	35261	* Mounting Flange Gasket	263A	35821	Starter Grill
70	34311D	Mounting Flange (Incl. #72 thru 83)	275	36473	Muffler (Includes Reference #277)
72	30572	Oil Drain Plug	275B	391020	Spark Arrestor Muffler (Optional)
73	28833	Drain Plug Gasket	277	650795	Screw 1/4-20 x 2-1/4
75	27897	Oil Seal	285	35000	Starter Cup
80	30574A	Governor Shaft	287	650926	Screw #8-32 x 21/64
81	30590A	Washer	290	34357	Fuel Line
82	30591	Governor Gear Assy. (Incl. #81)	292	26460	Fuel Line Clamp
83	30588A	Governor Spool	300	35586	Fuel Tank (Includes #292 and 301)
86	650488	Screw 1/4-20 x 1-1/4	301	35355	Fuel Cap
89	611004	Flywheel Key	305	35819A	Oil Fill Tube
90	611109	Flywheel	306	34265	* O-Ring
92	650815	Belleville Washer	307	35499	O-Ring
93	650816	Flywheel Nut	309	650936	Screw #10-32 x 13/32
100	34443A	Solid State Ignition	310	35822	Dipstick
101	610118	Spark Plug Cover	313	34080	Spacer
103	650814	Screw, Torx T-15 #10-24 x 1	347	650898	Screw #10-32 x 27/32
110	34961	Ground Wire	370	36261	Instruction Decal
119	36477	* Cylinder Head Gasket	370A	35167	Instruction Decal
120	36476	Cylinder Head	380	632681	Carburetor (Includes Ref. #184)
125	36471	Exhaust Valve, Standard Size	390	590702	Rewind Starter
	36472	Exhaust Valve, 1/32" Oversize	400	36481	Gasket Set (Incl. items marked*)
126	29314B	Intake Valve, Standard Size			
	29315C	Intake Valve, 1/32" Oversize (All Valves Include Reference #151)			
130	6021A	Screw 5/16-18 x 1-1/2			
135	35395	Resistor Spark Plug (RJ19LM)			
150	35991	Valve Spring			
151	31673	Valve Spring Cap			
166	35827	Engine Shroud			

NOTE: This engine could have been built with starter #590637. Refer to the design of the air intake louvers for part identification (individual starter parts do not interchange).

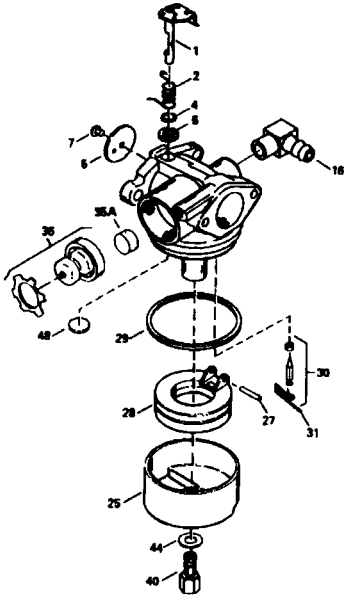
RPM Settings: Low: 2450-2750, High: 2900-3200

NOTE: All component dimensions given in U.S. inches
1 inch = 25.4 mm

CRAFTSMAN 4-CYCLE ENGINE

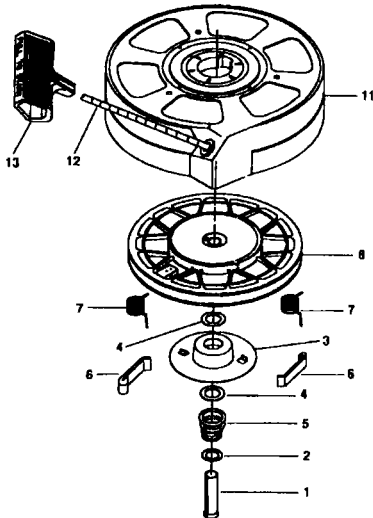
MODEL NO. 143.945504

CARBURETOR NO. 632681



REF PART NO. NO.	DESCRIPTION
-- 632681	Carburetor, Complete (Includes Ref. #184 of Engine Parts List)
1 631615	Throttle Shaft and Lever Assembly
2 631767	Throttle Return Spring
4 631184	Dust Seal Washer
5 631183	Dust Seal, Throttle
6 632504	Throttle Shutter
7 650506	Shutter Screw
16 631775	Fuel Fitting
25 631867	Float Bowl
27 631024	Float Shaft
28 632019	Float
29 631028	Float Bowl O-Ring
30 631021	Inlet Needle, Seat and Clip (Includes Reference Number 31)
31 631022	Spring Clip
35 36045	Primer Bulb/Retainer Ring
35A 632647	Primer Bulb Filter
40 632682	High Speed Bowl Nut
44 27110	Bowl Nut Washer
48 631027	Welch Plug, Atmospheric Vent

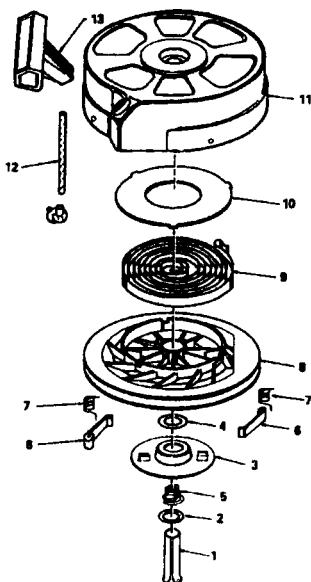
REWIND STARTER NO. 590702



REF PART NO. NO.	DESCRIPTION
-- 590702	Recoil Starter, Complete
1 590599A	Spring Pin (Includes Reference #4)
2 590600	Washer
3 590696	Retainer
4 590601	Washer
5 590697	Brake Spring
6 590698	Starter Dog
7 590699	Dog Spring
8 590700	Pulley & Rewind Spring Assembly
11 590703	Starter Housing Assembly (40 Degree Grommet)
12 590535	Starter Rope (98" Long, 9/64" Dia.)
13 590701	Starter Handle

NOTE: All component dimensions given in U.S. inches
1 inch = 25.4 mm

REWIND STARTER NO. 590637



REF PART NO. NO.	DESCRIPTION
-- 590637	Recoil Starter, Complete
1 590599A	Spring Pin (Includes Reference #4)
2 590600	Washer
3 590615	Retainer
4 590601	Washer
5 590598	Brake Spring
6 590616	Starter Dog
7 590617	Dog Spring
8 590618A	Pulley & Rewind Spring Assembly (Includes Reference #9 and 10)
9 590619	Spring, Rewind
10 590620	Cover, Spring
11 590638	Starter Housing Assembly (40 Degree Grommet)
12 590535	Starter Rope (98" Long, 9/64" Dia.)
13 590452	Starter Handle

NOTE: All component dimensions given in U.S. inches
1 inch = 25.4 mm

SERVICE NOTES