

**SEARS**

# **CRAFTSMAN®**

**MODEL NUMBER 917.376260 OWNER'S MANUAL**

**EZ<sup>3</sup>**



- **Assembly**
- **Operation**
- **Customer Responsibilities**
- **Service**
- **Adjustments**
- **Repair Parts**

**Caution:**  
**Read and Follow**  
**all Safety Rules**  
**and Instructions**  
**Before Operating**  
**This Equipment**

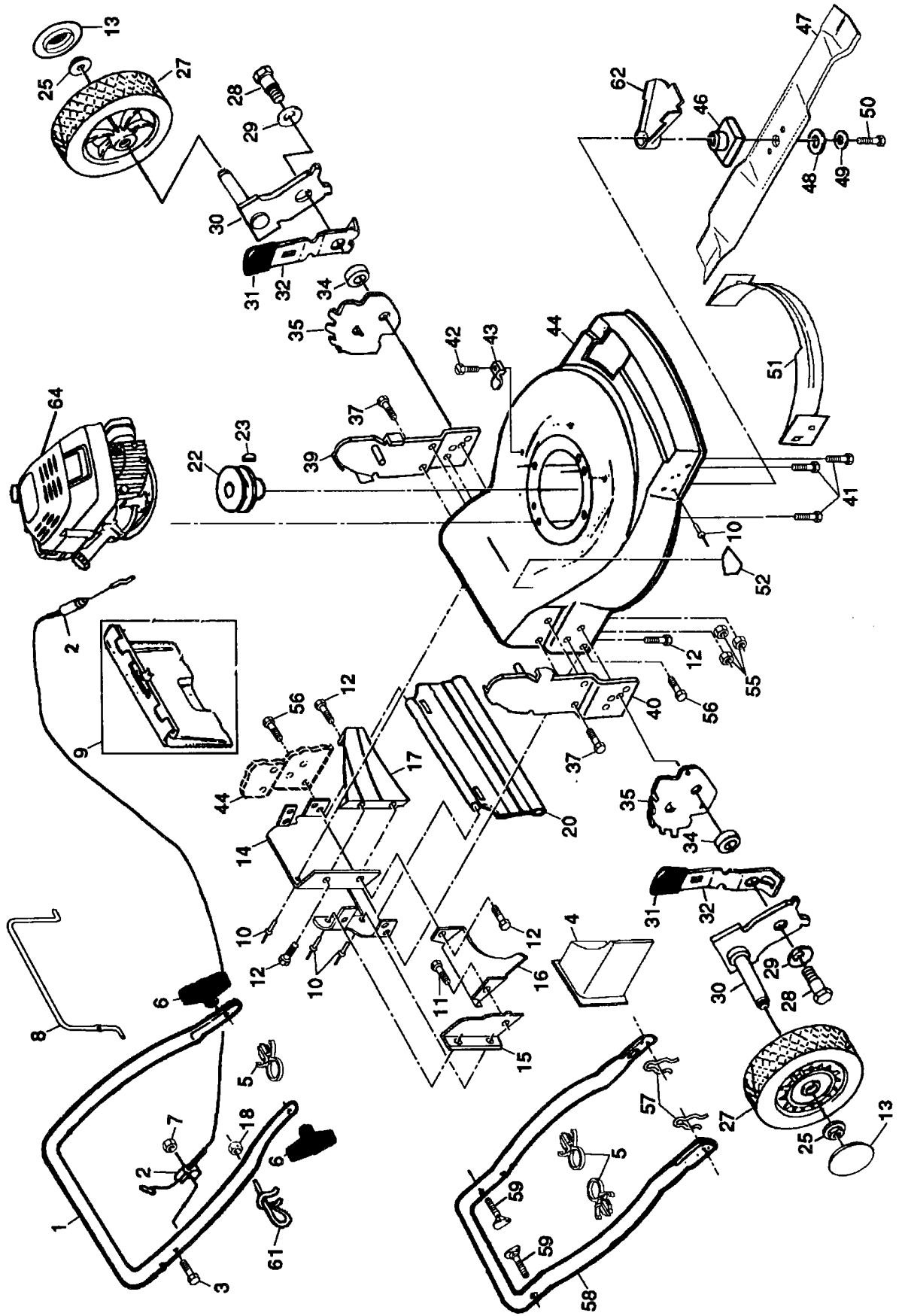
151518 REV. 1 12.11.95 ks

Printed in U.S.A.

**Sears, Roebuck and Co., Hoffman Estates, IL 60179 U.S.A.**

# REPAIR PARTS

ROTARY LAWN MOWER MODEL NUMBER 917.376260



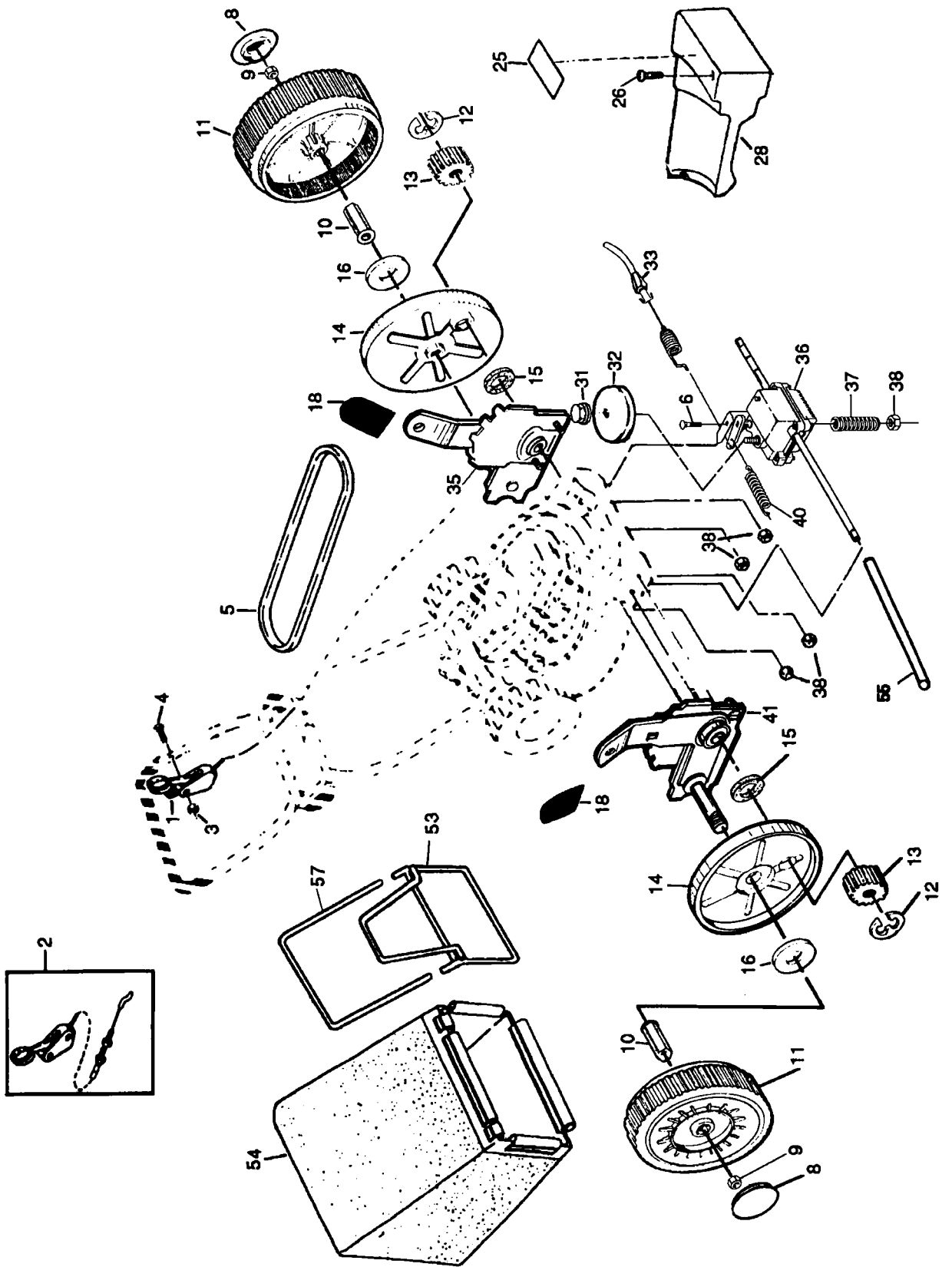
# REPAIR PARTS

## ROTARY LAWN MOWER MODEL NUMBER 917.376260

KEY NO.	PART NO.	DESCRIPTION	KEY NO.	PART NO.	DESCRIPTION
1	145646X479	Upper Handle	39	151512X479	Handle Bracket Assembly (Left)
2	130861	Engine Zone Control Cable	40	151511X479	Handle Bracket Assembly (Right)
3	74350424	Hex Head Screw 1/4-20 x 1-1/2	41	150406	Hex Head Thread Rolling Screw 3/8-16 x 1-1/8
4	150425	Mulcher Plug	42	750097	Hex Washer Head Screw #10-24 x 1/2
5	151517	Cable Clip	43	87930	Guide Clip
6	136376	Handle Knob	44	151519	Lawn Mower Housing (Incl. Key #14, 15, 51 & 52)
7	STD541425	Locknut 1/4-20	46	851514	Blade Adapter
8	145793	Control Bar	47	141114	Blade 22"
9	151023	Rear Door Kit	48	851074	Hardened Washer
10	128415	Pop Rivet	49	850263	Helical Washer 3/8-24 x 1-3/8 Gr. 8
11	150050	Self Tapping Screw #10-16 x 1/2	50	851084	Hex Head Machine Screw 3/8-24 x 1-3/8 Gr. 8
12	STD512505	Hex Tapping Screw w/Sems 1/4-20 x 1/2	51	700869X479	Front Baffle
13	77400	Hubcap	52	85463	Danger Decal
14	700483X479	Back Plate	55	751592	Locknut 3/8-16
15	700365X479	Side Baffle	56	88652	Hinge Screw 1/4-20 x 1-1/4
16	133190X479	Discharge Baffle	57	51793	Hairpin Cotter
17	140661X479	Rear Baffle	58	151516X479	Lower Handle
18	73510400	Keys Locknut 1/4-20	59	131959	Handle Bolt
20	140540	Rear Skirt	61	132001	Rope Guide
22	85543	Engine Pulley	62	134612	Debris Shield
23	87677	Hi-Pro Key #505	64	151204	Engine-Craftsman - Model No. 143.965504
25	83923	Hex Flange Nut	--	151518	Owner's Manual (English/Spanish)
27	151158	Wheel	Available accessories not included with lawn mower:		
28	142748	Shoulder Bolt 3/8-16 x 1	--	Z1 33303	Clipping Deflector
29	62335	Spring Washer	--	Z1 33623	Gas Can (2.5 gal.)
30	145935X004	Axle Arm Assembly	--	Z1 33500	Fuel Stabilizer
31	701037	Selector Knob	--	Z1 33300	SAE 30W Oil (20 oz.)
32	700331X004	Selector Spring	--	Z1 33417	Dust Shield
34	146630	Spacer	--	Z1 33316	Mower Cover
35	700325X007	Wheel Adjusting Bracket (Right)			
37	150078	Thread Cutting Screw w/Sems 5/16-18 x 3/4			

# REPAIR PARTS

ROTARY LAWN MOWER MODEL NUMBER 917.376260



# REPAIR PARTS

## ROTARY LAWN MOWER MODEL NUMBER 917.376260

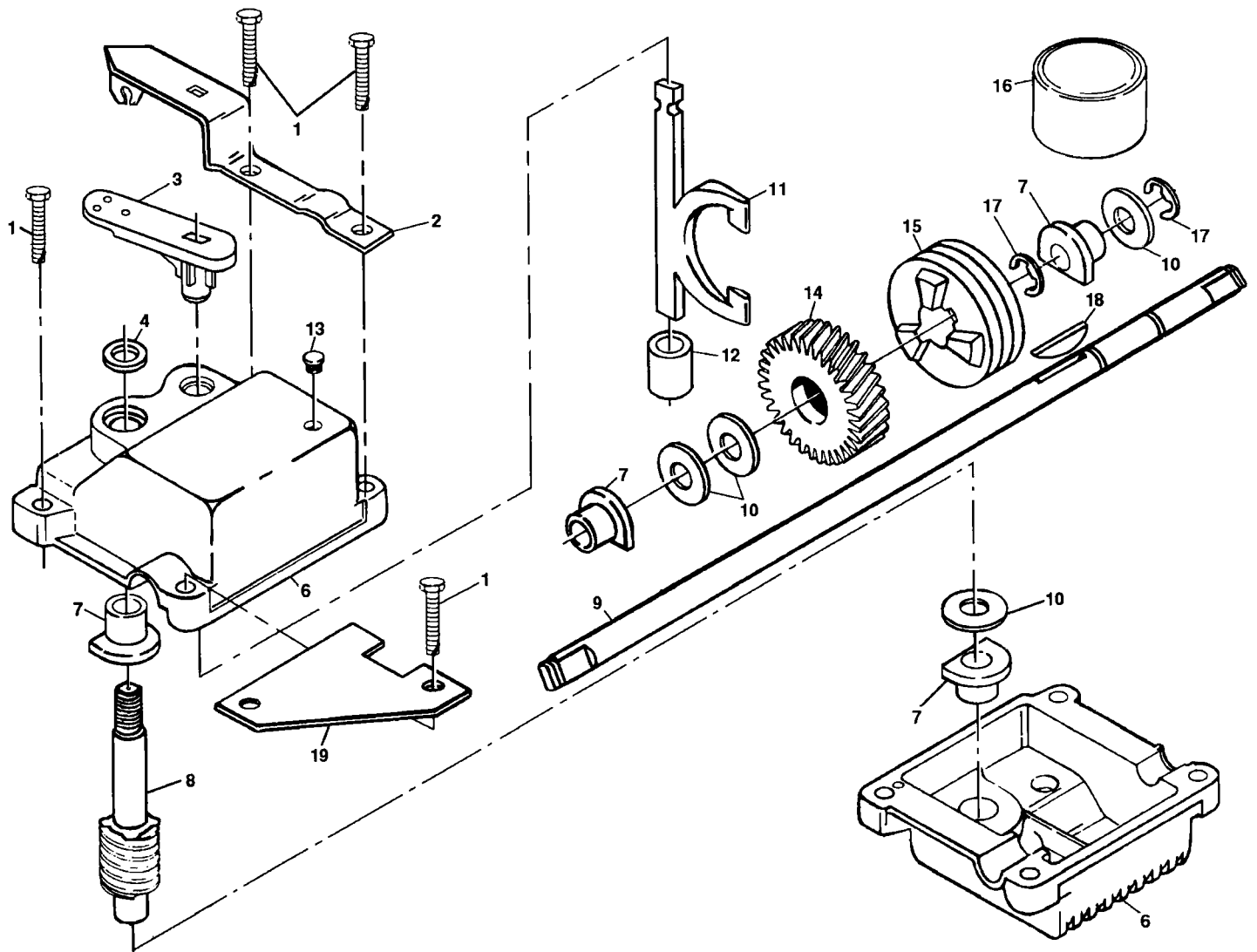
KEY NO.	PART NO.	DESCRIPTION	KEY NO.	PART NO.	DESCRIPTION
1	145755	Control Cable Assembly	25	141764	Drive Cover Decal
2	48385	Control Head Kit	26	143603	Pan Head Tapping Screw #10-24 x 2-3/4
3	63601	Locknut #10-24	28	702806	Drive Cover
4	144929	Hex Washer Head Screw 1/4-20 x 2.12	31	132010	Hex Flange Nut
5	<del>146257</del>	V-Belt	32	137052	Drive Pulley
6	700875	Carriage Bolt 1/4-20 x 2	33	48323	Drive Control Cable Kit
8	77400	Hubcap	35	151521	Wheel Adjuster Assembly (Left)
9	145212	Locknut	36	702511	Gear Case Assembly
10	88446	Nylon Bushing	37	146467	Spring
11	151156	Wheel & Tire Assembly	38	STD541425	Locknut 1/4-20
12	12000058	E-Ring	40	75192	Spring
13	137054	Pinion	41	152020	Wheel Adjuster Assembly (Right)
14	88080	Dust Cover	53	144747	Frame Throat
15	88118	Felt Washer	54	141245	Grassbag Assembly
16	67725	Washer 1/2 x 1-1/2 x .134	55	86012	Driveshaft Cover
18	701037	Selector Knob	57	144748	Frame Tube

157769

# REPAIR PARTS

## ROTARY LAWN MOWER - - MODEL NO. 917.376260

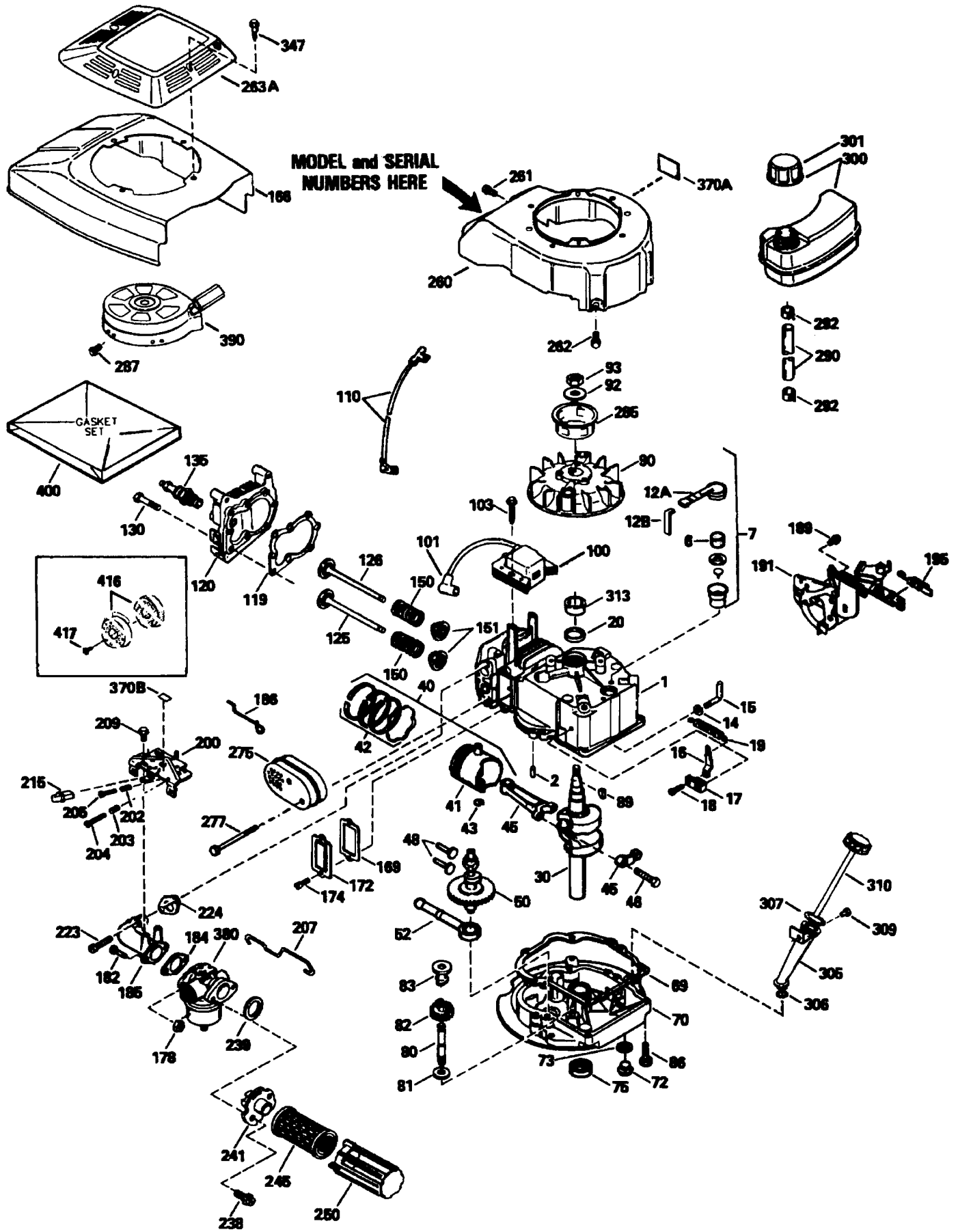
### GEAR CASE ASSEMBLY PART NUMBER 702511



KEY NO.	PART NO.	DESCRIPTION
1	17490416	Tapping Screw 1/4-20 x 1-1/4
2	137055X004	Engagement Bracket
3	137053	Shifter
4	57072	Seal
6	48373	Gear Case Halves Kit (Includes Key Nos. 4, 5, and 7)
7	77881	Bearing
8	137051	Worm Shaft
9	137074	Drive Shaft
10	57079	Hardened Washer

KEY NO.	PART NO.	DESCRIPTION
11	131484	Clutch Yoke
12	700343	Bushing
13	86447	Plug
14	137050	Helical Gear
15	750436X	Clutch Jaw
16	750369	Grease
17	12000003	E-Ring
18	850848	Hi-Pro Key
19	81585X004	Spring Bracket

**NOTE:** All component dimensions given in U.S. inches.  
1 inch = 25.4 mm



# CRAFTSMAN 4-CYCLE ENGINE

MODEL NO. 143.965504

REF PART NO. NO.	DESCRIPTION	REF PART NO. NO.	DESCRIPTION
1 36478A	Cylinder (Incl. 2,7,20 & 125)	178 29752	Nut & Lock Washer, 1/4-28
2 26727	Dowel Pin	182 6201	Screw, 1/4-28 x 7/8"
6 33734	Breather Element	184 26756	* Carburetor To Intake Pipe
7 36557	Breather Body Assy. (Incl. 6 & 12A)	185 36544	Intake Pipe
12A 36558	Breather Cover & Tube (Incl. 12B)	186 34337	Governor Link
12B 34695	Breather Tube Elbow	189 650839	Screw, 1/4-20 x 3/8"
14 28277	Washer	191 36559	S.E. Brake Bracket (Incl. 195)
15 30589	Governor Rod (Incl. 14)	195 610973	Terminal
16 32651	Governor Lever	200 35727	Control Bracket (Incl. 202 thru 205)
17 31335	Governor Lever Clamp	202 36482	Compression Spring
18 650548	Screw, 8-32 x 5/16"	203 31342	Compression Spring
19 36281	Extension Spring	204 650549	Screw, 5-40 x 7/16"
20 32600	Oil Seal	205 650777	Screw, 6-32 x 21/32"
30 35996	Crankshaft	207 34336	Throttle Link
40 36073	Piston, Pin & Ring Set (Std.)	209 30200	Screw, 10-24 x 9/16"
40 36074	Piston, Pin & Ring Set (.010" OS)	215 35511	Control Knob
40 36075	Piston, Pin & Ring Set (.020" OS)	223 650451	Screw, 1/4-20 x 1"
41 36070	Piston & Pin Assy. (Std.) (Incl. 43)	224 34690A	* Intake Pipe Gasket
41 36071	Piston & Pin Assy. (.010" OS) (Incl. 43)	238 650932	Screw, 10-32 x 49/64"
41 36072	Piston & Pin Assy. (.020" OS) (Incl. 43)	239 34338	* "O"-Ring
42 36076	Ring Set (Std.)	241 35797	Air Cleaner Collar
42 36077	Ring Set (.010" OS)	245 35066	Air Cleaner Filter
42 36078	Ring Set (.020" OS)	250 35065	Air Cleaner Cover
43 20381	Piston Pin Retaining Ring	260 35826	Blower Housing
45 30963B	Connecting Rod Ass'y. (Incl. 46)	261 30200	Screw, 10-24 x 9/16"
46 32610A	Connecting Rod Bolt	262 650831	Screw, 1/4-20 x 1/2"
48 27241	Valve Lifter	263A 35821	Starter Grill
50 35992	Camshaft (MCR)	275 36473	Muffler (Incl. 277)
52 29914	Oil Pump Ass'y.	277 650988	Screw, 1/4-20 x 2-5/16"
69 35261	* Mounting Flange Gasket	285 35000A	Starter Cup
70 34311D	Mounting Flange (Incl. 72 thru 83)	287 650926	Screw, 8-32 x 21/64"
72 30572	Oil Drain Plug (Incl. 73)	290 34357	Fuel Line
73 28833	Drain Plug Gasket	292 26460	Fuel Line Clamp
75 27897	Oil Seal	300 35586	Fuel Tank (Incl. 292 & 301)
80 30574A	Governor Shaft	301 36246	Fuel Cap
81 30590A	Washer	305 35819A	Oil Fill Tube
82 30591	Governor Gear Ass'y. (Incl. 81)	306 34265	* "O"-Ring
83 30588A	Governor Spool	307 35499	"O"-Ring
86 650488	Screw, 1/4-20 x 1-1/4"	309 651014	Screw, 10-32 x 7/16"
89 611004	Flywheel Key	310 35822	Dipstick
90 611112	Flywheel	313 34080	Spacer
92 650815	Belleville Washer	347 650898A	Screw, 10-32 x 27/32"
93 650816	Flywheel Nut	370A 36261	Lubrication Decal
100 34443A	Solid State Ignition	370B 35167	Control Decal
101 610118	Spark Plug Cover	380 632670	Carburetor (Incl. 184)
103 651007	Screw, Torx T-15, 10-24 x 15/16"	390 590702	Rewind Starter
110 34961	Ground Wire	400 36481	Gasket Set (Incl. Items Marked * in Notes)
119 36477	* Cylinder Head Gasket	416 36085	Spark Arrestor Kit (Incl. 417)(Optional)
120 36476	Cylinder Head	417 650760	Screw, 8-32 x 3/8" (Optional)
125 36471	Exhaust Valve (Std.) (Incl. 151)	- -	RPM High 2900 to 3200
125 36472	Exhaust Valve (1/32" OS) (Incl. 151)	- -	RPM Low 2450 to 2750
126 29314B	Intake Valve (Std.) (Incl. 151)		
126 29315C	Intake Valve (1/32" OS) (Incl. 151)		
130 6021A	Screw, 5/16-18 x 1-1/2"		
135 35395	Resistor Spark Plug (RJ19LM)		
150 35991	Valve Spring		
151 31673	Valve Spring Cap		
166 35827	Engine Shroud		
169 27234A	* Valve Cover Gasket		
172 32755	Valve Cover		
174 30200	Screw, 10-24 x 9/16"		

(NOTE: This engine could have been built with 590739 starter. Refer to the design of the rope pulley strength ribs for part identification. Individual starter parts do not interchange.)

Incl. part #'s 26756 (1), 27234A (1), 33735 (1), 34265 (1), 34338 (1), 34690A (1), 35261 (1), 36477 (1)

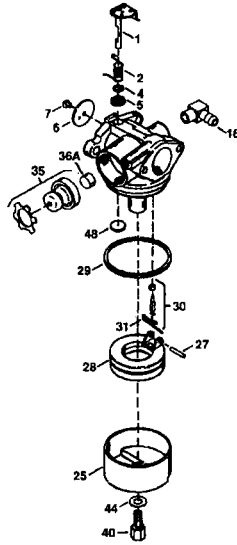
NOTE: All component dimensions given in U.S. inches  
1 inch = 25.4 mm



# CRAFTSMAN 4-CYCLE ENGINE

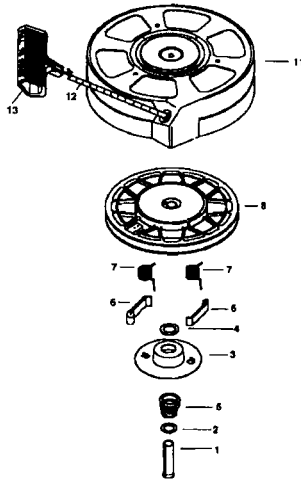
MODEL NO. 143.965504

## CARBURETOR NO. 632670



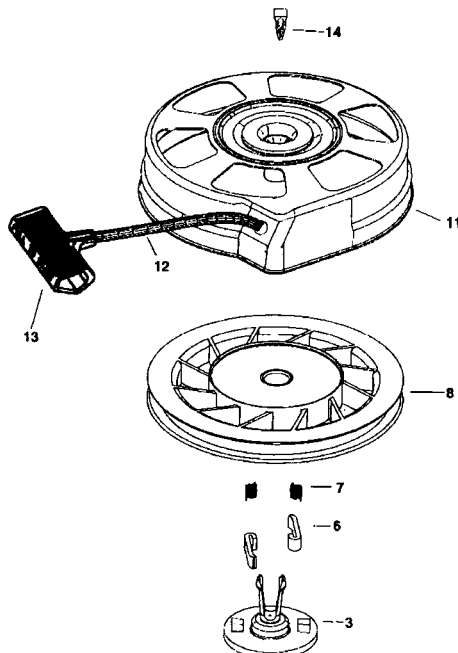
REF NO.	PART NO.	DESCRIPTION
--	632670	Carburetor (Incl. 184 of Engine Parts List)
1	631615	Throttle Shaft & Lever Assembly
2	631767	Throttle Return Spring
4	631184	Dust Seal Washer
5	631183	Dust Seal (Throttle)
6	632504	Throttle Shutter
7	650506	Shutter Screw
16	631775	Fuel Fitting
25	631867	Float Bowl
27	631024	Float Shaft
28	632019	Float
29	631028	Float Bowl "O" Ring
30	631021	Inlet Needle, Seats & Clip (Incl. 31)
31	631022	Spring Clip
35	632694	Primer Bulb/Retainer Ring
35A	632647	Primer Bulb Filter
40	632503	High Speed Bowl Nut
44	27110	Bowl Nut Washer
48	631027	Welch Plugs Atmospheric Vent

## REWIND STARTER NO. 590702



REF NO.	PART NO.	DESCRIPTION
--	590702	Recoil Starter
1	590599A	Spring Pin (Incl. 4)
2	590600	Washer
3	590696	Retainer
4	590601	Washer
5	590697	Brake Spring
6	590698	Starter Dog
7	590699	Dog Spring
8	590700	Pulley & Rewind Spring Ass'y.
11	590703	Starter Housing Ass'y. (40 degree grommet)
12	590535	Starter Rope ( 98" X 9/64" dia.)
13	590701	Starter Handle

## REWIND STARTER NO. 590739



REF NO.	PART NO.	DESCRIPTION
--	590739	Rewind Starter
3	590740	Retainer
6	590616	Starter Dog
7	590617	Dog Spring
8	590618A	Pulley & Rewind Spring Ass'y
11	590638	Starter Housing Ass'y (40 degree grommet)
12	590535	Starter Rope (Length 98" x 9/64" dia.)
13	590701	Starter Handle
14	590741	Locking Tab

**NOTE:** All component dimensions given in U.S. inches  
1 inch = 25.4 mm

---

# SERVICE NOTES

---