

**REPAIR PARTS MANUAL
MODEL NO. 377750
LAWN MOWER**

CRAFTSMAN®

LIMITED TWO YEAR WARRANTY ON CRAFTSMAN POWER MOWER

For two years from date of purchase, when this Craftsman Lawn Mower is maintained, lubricated, and tuned up according to the operating and maintenance instructions in the owner's manual, Sears will repair free of charge any defect in material or workmanship.

If this Craftsman Lawn Mower is used for commercial or rental purposes, this warranty applies for only 90 days from the date of purchase.

This Warranty does not cover:

- Expendable items which become worn during normal use, such as rotary mower blades, blade adapters, belts, air cleaners and spark plug.
- Repairs necessary because of operator abuse or negligence, including bent crankshafts and the failure to maintain the equipment according to the instructions contained in the owner's manual.

Warranty service is available by returning the Craftsman power mower to the nearest Sears Service Center/Department in the United States. This warranty applies only while this product is in use in the United States.

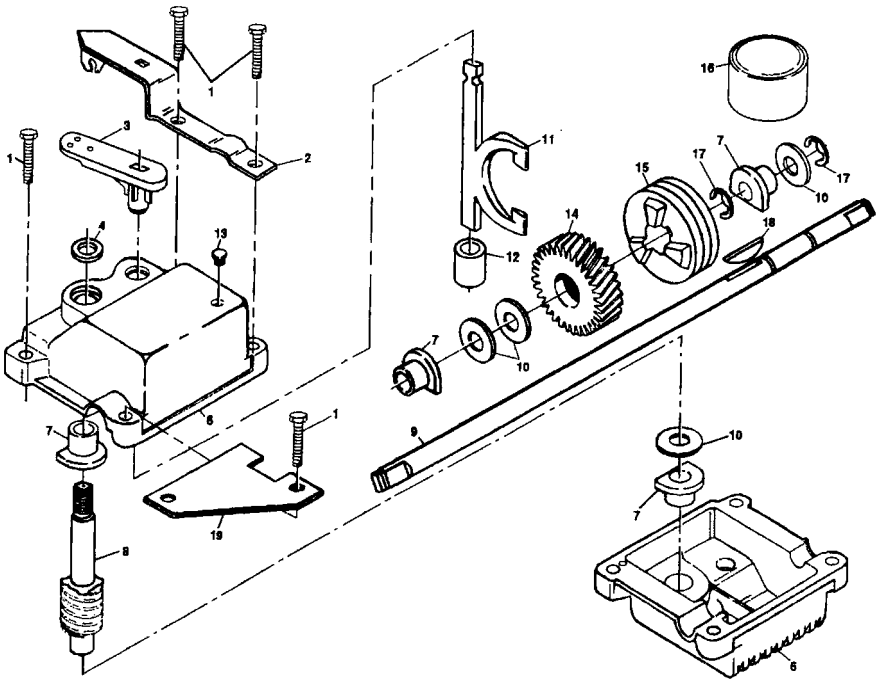
This Warranty gives you specific legal rights, and you may also have other rights which vary from state to state.

SEARS, ROEBUCK AND CO., D/817 WA, HOFFMAN ESTATES, ILLINOIS 60179

REPAIR PARTS

ROTARY LAWN MOWER -- MODEL NO. 917.377750

GEAR CASE ASSEMBLY PART NUMBER 702511

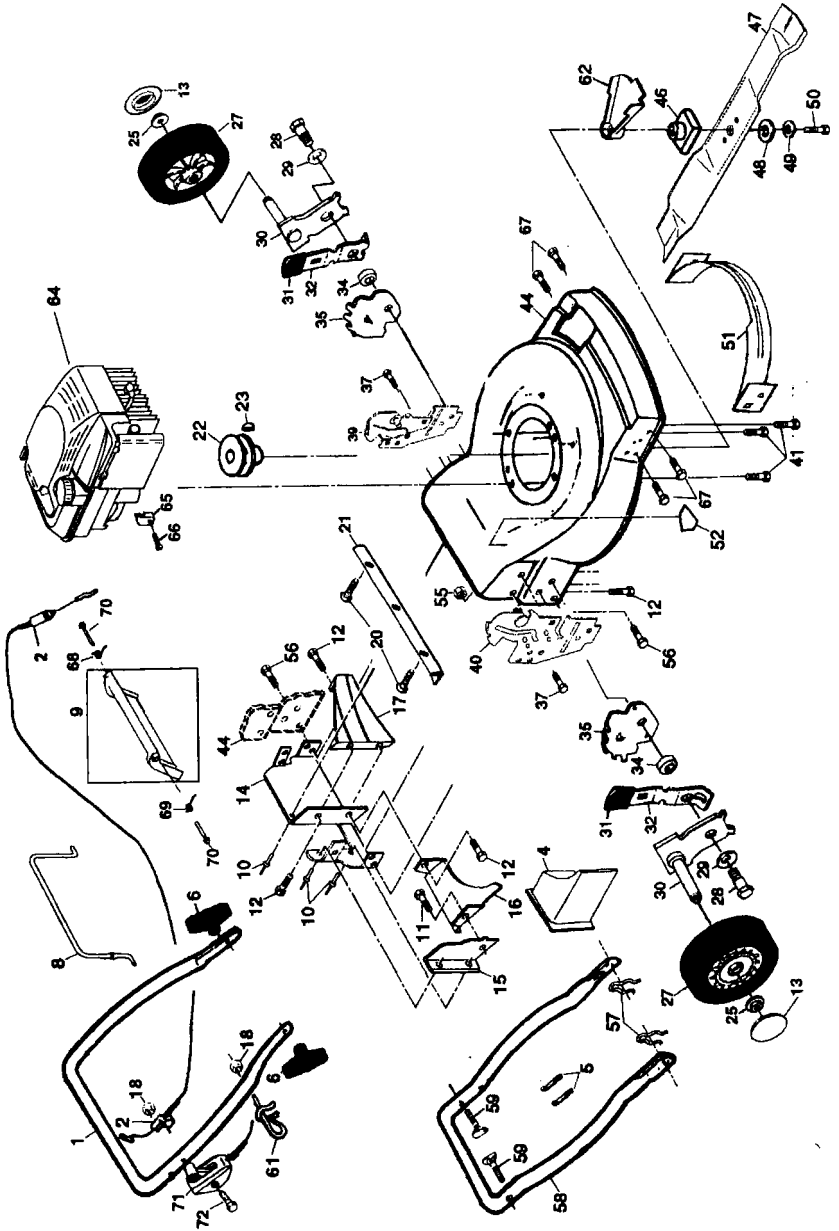


KEY NO.	PART NO.	DESCRIPTION	KEY NO.	PART NO.	DESCRIPTION
1	17490416	Tapping Screw 1/4-20 x 1-1/4	10	57079	Hardened Washer
2	137055X004	Engagement Bracket	11	131484	Clutch Yoke
3	137053	Shifter	12	700343	Bushing
4	57072	Seal	13	86447	Plug
6	48373	Gear Case Halves Kit (Includes Key Nos. 4, 5, and 7)	14	137050	Helical Gear
7	77881	Bearing	15	750436X	Clutch Jaw
8	137051	Worm Shaft	16	750369	Grease
9	137074	Drive Shaft	17	12000003	E-Ring
			18	850848	Hi-Pro Key
			19	81585X004	Spring Bracket

NOTE: All component dimensions given in U.S. inches. 1 inch = 25.4 mm

PAIR PARTS

ROTARY LAWN MOWER -- MODEL NO. 377750



REPAIR PARTS

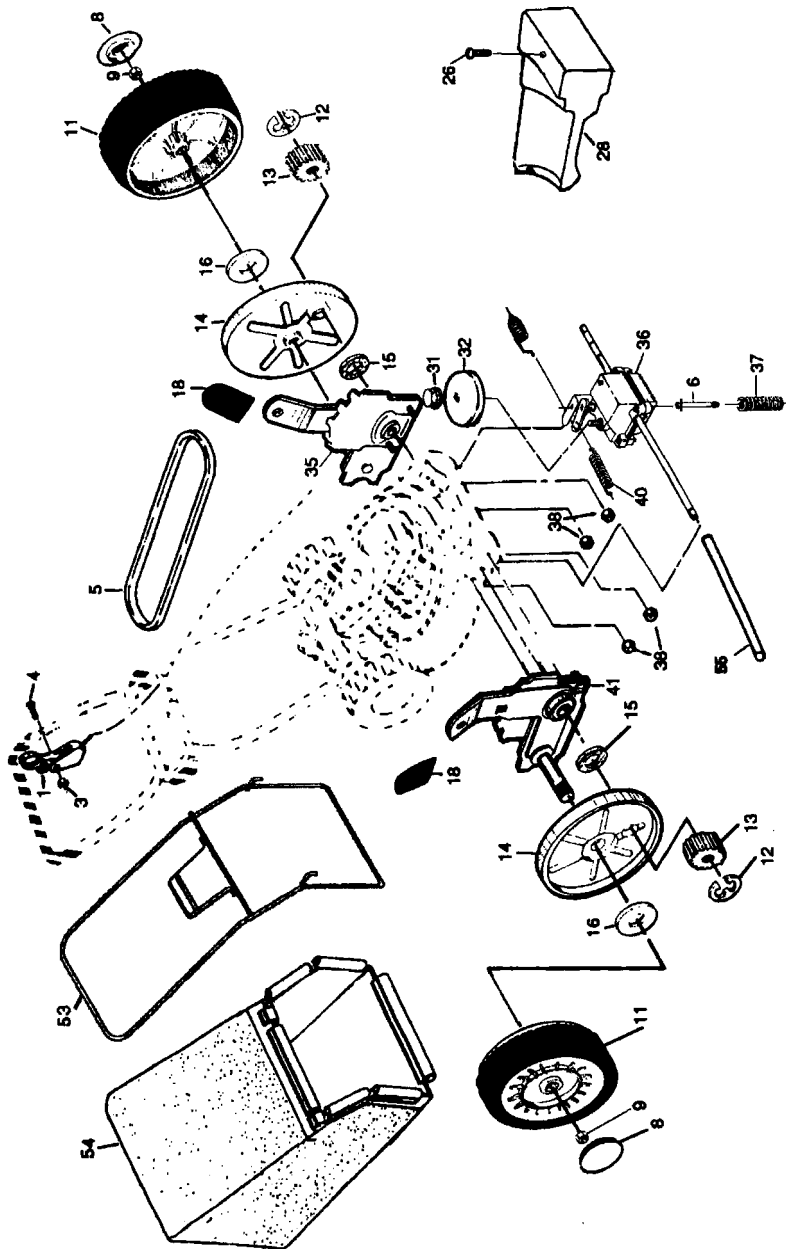
ROTARY LAWN MOWER -- MODEL NO. 377750

KEY NO.	PART NO.	DESCRIPTION
1	165452X479	Upper Handle
2	130861	Engine Zone Control Cable
4	150425	Mulcher Plug
5	66426	Wire Tie
6	136376	Handle Knob
8	145793	Control Bar
9	170947	Rear Door Kit
10	128415	Pop Rivet
11	150050	Self Tapping Screw #10-24 x 5/8
12	STD512505	Hex Tapping Screw w/Sems 1/4-20 x 1/2
13	77400	Hubcap
14	156374X479	Back Plate
15	700365X479	Side Baffle
16	133190X479	Discharge Baffle
17	140661X479	Rear Baffle
18	63601	Keys Locknut 1/4-20
20	146694	Screw
21	146143X479	Footguard
22	84596	Engine Pulley
23	87677	Hi-Pro Key #505
25	83923	Hex Flange Nut
27	151158	Wheel
28	142748	Shoulder Bolt 3/8-16 x 1
29	62335	Spring Washer
30	145935X004	Axle Arm Assembly
31	701037	Selector Knob
32	700331X004	Selector Spring
34	146630	Spacer
35	700325X007	Wheel Adjusting Bracket
37	150078	Thread Cutting Screw w/Sems 5/16-18 x 3/4
39	173569X479	Handle Bracket Assembly (Left)

KEY NO.	PART NO.	DESCRIPTION
40	173570X479	Handle Bracket Assembly (Right)
41	150406	Hex Head Thread Rolling Screw 3/8-16 x 1-1/8
44	173725	Lawn Mower Housing (Incl. Key #14, 15, 51)
46	851514	Blade Adapter
47	141114	Blade 22"
48	851074	Hardened Washer
49	850283	Helical Washer 3/8-24 x 1-3/8 Gr. 8
50	851084	Hex Head Machine Screw 3/8-24 x 1-3/8 Gr. 8
51	170031	Front Baffle Kit
52	145494	Danger Decal
55	751592	Locknut 3/8-16
56	86652	Hinge Screw 1/4-20 x 1-1/4
57	51793	Hairpin Cotter
58	157061X479	Lower Handle
59	131959	Handle Bolt
61	132001	Rope Guide
62	134612	Debris Shield
64	-----	Engine - Model Briggs and Stratton 12H802-2645-B1 (See Breakdown)
65	111190X	Cable Clamp
66	83816	Screw
67	17600406	Screw
68	170938	Spring LH
69	170939	Spring RH
70	165912	Bolt Door
71	700417	Throttle Control
72	144829	Screw
--	--	Operator's Manual (Euro)
--	174237	Operator's Manual (Scand)
--	174238	Repair Parts Manual
--	174239	

PAIR PARTS

ROTARY LAWN MOWER -- MODEL NO. 377750



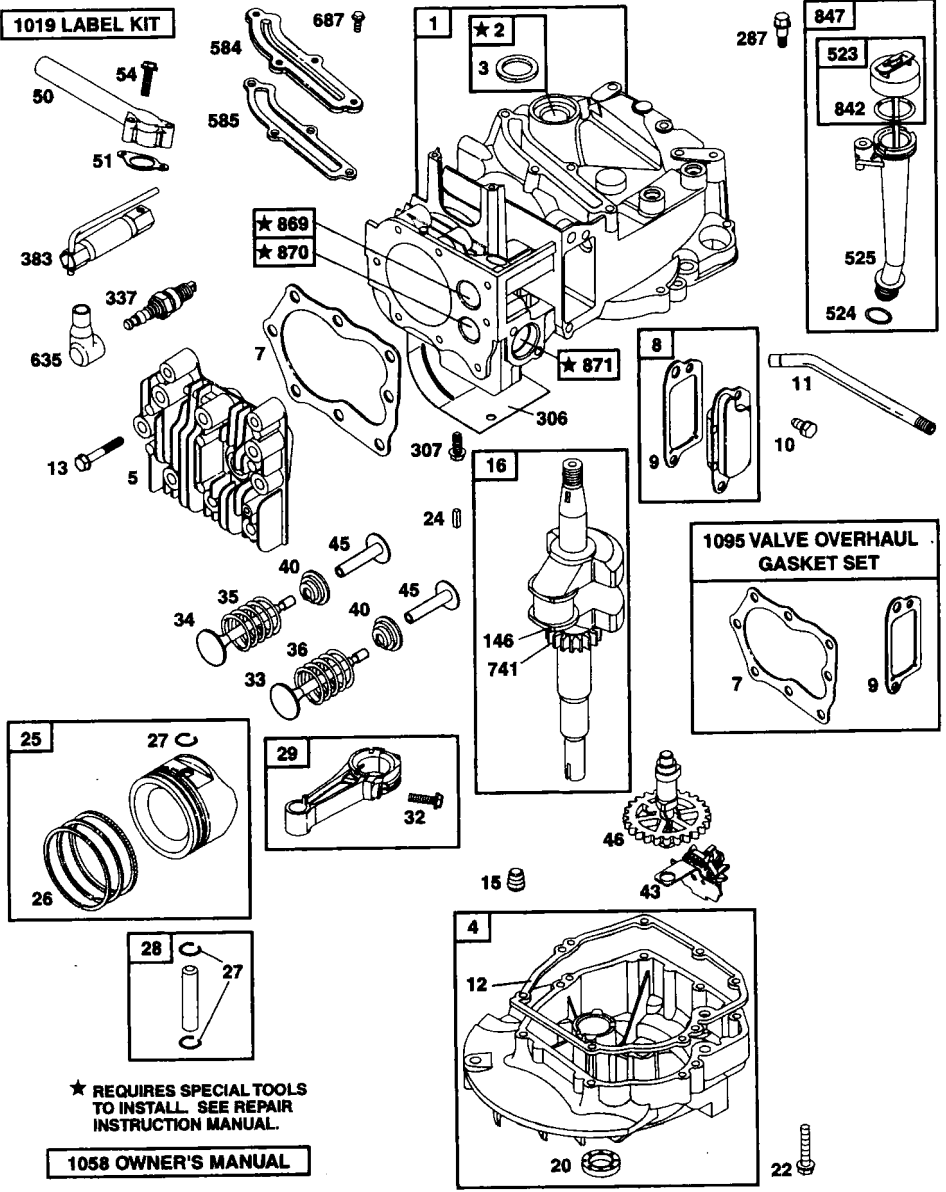
REPAIR PARTS

ROTARY LAWN MOWER --- MODEL NO. 377750

KEY NO.	PART NO.	DESCRIPTION	KEY NO.	PART NO.	DESCRIPTION
1	145755	Control Cable Assembly	28	154990	Drive Cover
3	751152	Locknut #10-24	31	132010	Hex Flange Nut
4	158755	Pan Head Machine Screw 1/4 x 2.12	32	137052	Drive Pulley
5	146527	V-Belt	35	151521	Wheel Adjuster Assembly (Left)
6	150495	Spring Retainer	36	702511	Gear Case Assembly
8	77400	Hubcap	37	137090	Spring
9	145212	Flanged Nut	38	63601	Nut
11	151156	Wheel & Tire Assembly	40	75192	Spring
12	12000058	E-Ring	41	151520	Wheel Adjuster Assembly (Right)
13	137054	Pinion	53	169831	Frame
14	88080	Dust Cover	54	173724	Grassbag Assembly
15	88118	Felt Washer	55	86012	Driveshaft Cover
16	67725	Washer 1/2 x 1-1/2 x .134	-	-	Warning Decal, Drive Cover (Not Shown)
18	701037	Selector Knob			
26	143603	Pan Head Tapping Screw #10-24 x 2-3/4			

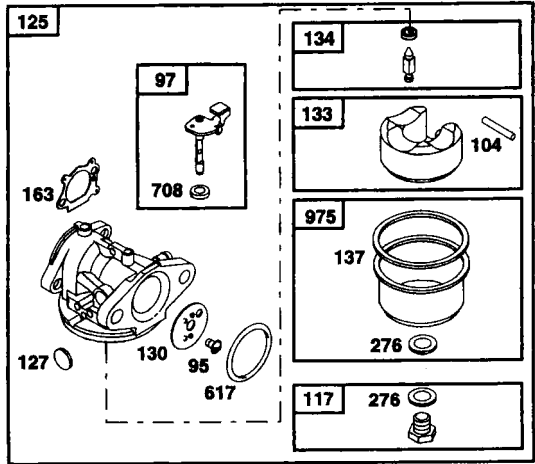
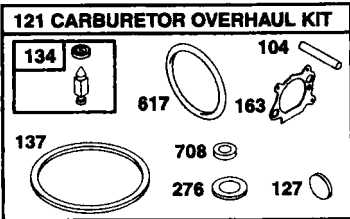
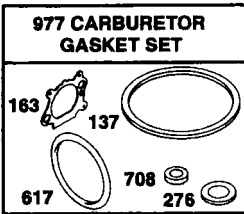
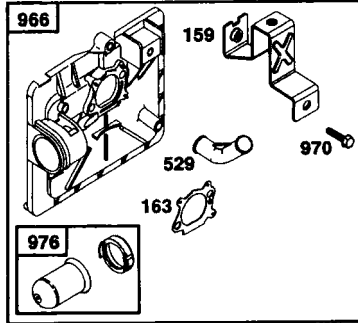
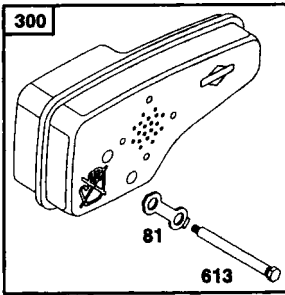
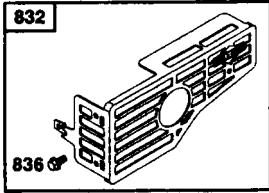
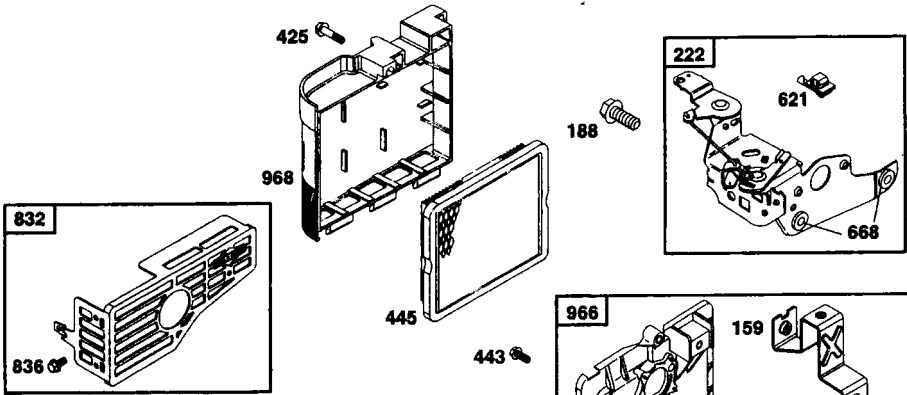
REPAIR PARTS

ROTARY LAWN MOWER -- MODEL NO. 377750
BRIGGS & STRATTON ENGINE MODEL NUMBER 12H802 TYPE NUMBER 2645-B1

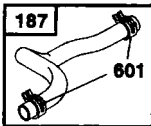
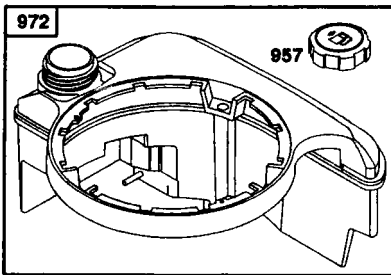
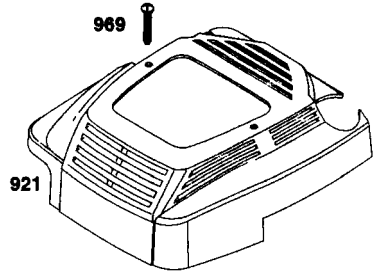
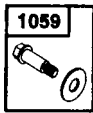
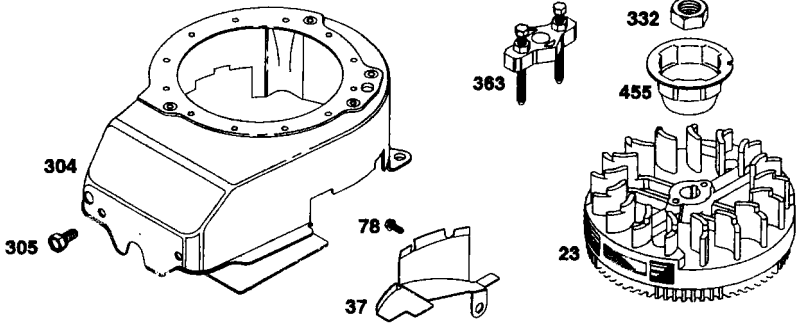


REPAIR PARTS

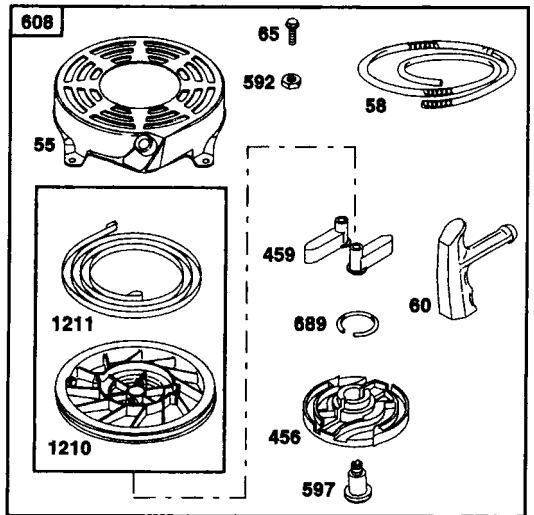
ROTARY LAWN MOWER -- MODEL NO. 377750
 BRIGGS & STRATTON ENGINE MODEL NUMBER 12H802 TYPE NUMBER 2645-B1



**ROTARY LAWN MOWER -- MODEL NO. 377750
BRIGGS & STRATTON ENGINE MODEL NUMBER 12H802 TYPE NUMBER 2645-B1**

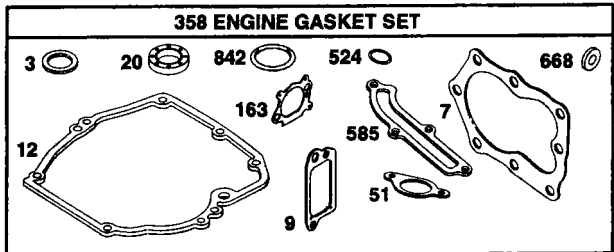
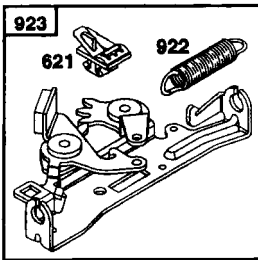
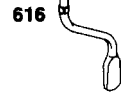
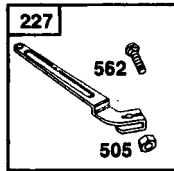
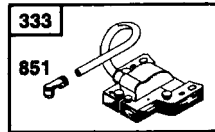
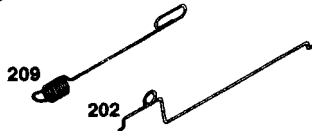
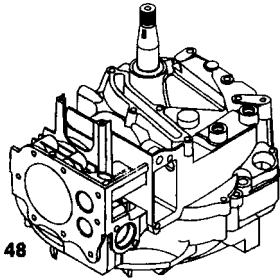


1036 EMISSIONS LABEL



REPAIR PARTS

ROTARY LAWN MOWER -- MODEL NO. 377750
BRIGGS & STRATTON ENGINE MODEL NUMBER 12H802 TYPE NUMBER 2645-B1



ROTARY LAWN MOWER -- MODEL NO. 377750
BRIGGS & STRATTON ENGINE MODEL NUMBER 12H802 TYPE NUMBER 2645-B1

KEY NO.	PART NO.	DESCRIPTION	KEY NO.	PART NO.	DESCRIPTION
1	493260	Cylinder Assembly	58	281464	Starter Rope (Cut to Required Length)
2	293708	Bushing/Seal Kit	60	281434	Starter Rope Grip
3	299819	★ Oil Seal	65	94904	Screw (Rewind Starter)
4	493279	Engine Sump	78	691108	Screw (Flywheel Guard)
5	691160	Cylinder Head	81	223664	Muffler Screw Lock
7	272916	★+ Cylinder Head Gasket	95	94098	Screw (Throttle Valve)
8	495786	Breather Assembly	97	493267	Throttle Shaft
9	272481	★+ Breather Gasket	104	691242	● Float Hinge Pin
10	94650	Screw (Breather Assembly)	117	494870	Main Jet (Standard)
11	231933	Breather Tube		497315	Main Jet (High Altitude)
12	272198	★ Crankcase Gasket	121	498260	Carburetor Overhaul Kit
13	94547	Screw (Cylinder Head)	125	498170	Carburetor
15	691680	Oil Drain Plug	127	694468	● Welch Plug
16	691451	Crankshaft	130	224908	Throttle Valve
20	399781	★ Oil Seal	133	398187	Carburetor Float
22	691092	Screw (Engine Sump)	134	398188	● Needle Valve (Includes Seat)
23	492177	Flywheel			● ◆ Float Bowl Gasket
24	222698	Flywheel Key	137	280492	Timing Key
25	499429	Piston Assembly (Standard)	146	94388	Support Bracket
	499430	Piston Assy. (.010 O.S.)	159	224815	★ ◆ Air Cleaner Gasket
	499431	Piston Assy. (.020 O.S.)	163	272653	Fuel Line
	499432	Piston Assy. (.030 O.S.)	187	691050	Screw (Control Bracket)
26	499425	Ring Set (Standard)	188	94644	Screw (Fuel Tank)
	499426	Ring Set (.010 O.S.)	190	94511	Mechanical Governor Link
	499427	Ring Set (.020 O.S.)	202	262579	Governor Spring
	499428	Ring Set (.030 O.S.)	209	263044	Control Bracket
27	263190	Piston Pin Lock	222	497203	Governor Control Lever
28	499423	Piston Pin	227	690783	● ◆ Sealing Washer
29	499424	Connecting Rod	276	271716	Screw (Oil Fill Tube)
32	94699	Screw (Connecting Rod)	287	94511	Exhaust Muffler
33	262651	Exhaust Valve	300	497838	Blower Housing
34	262652	Intake Valve	304	493293	Screw (Blower Housing)
35	691270	Valve Spring (Intake)	305	691108	Cylinder Shield
36	691270	Valve Spring (Exhaust)	306	690450	Screw (Cylinder Shield)
37	694086	Flywheel Guard	307	690345	
40	93312	Valve Retainer			
43	493737	Governor/Oil Slinger	★		Included in Engine Gasket Set, Ref Number 358.
45	690548	Valve Tappet	●		Included in Carburetor Overhaul Kit, Ref Number 121.
48	498826	Short Block	◆		Included in Carburetor Gasket Set, Ref Number 977.
46	691449	Cam Gear	+		Included in Valve Overhaul Kit, Ref Number 1095.
50	497465	Intake Manifold			
51	272199	★ Intake Gasket			
53	692524	Screw (Carburetor)			
54	94526	Screw (Intake Manifold)			
55	691421	Rewind Starter Housing			

NOTE: All component dimensions given in U.S. nches 1 inch = 25.4 mm

REPAIR PARTS

ROTARY LAWN MOWER -- MODEL NO. 377750

BRIGGS & STRATTON ENGINE MODEL NUMBER 12H802 TYPE NUMBER 2645-B1

KEY NO.	PART NO.	DESCRIPTION	NO.	NO.	DESCRIPTION
			836	94874	Screw (Muffler Guard)
			842	280393	★ Dipstick/Tube Seal
			847	495263	Dipstick/Tube Assembly
332	94877	Nut (Flywheel)	851	493880	Spark Plug Terminal
333	802574	Magneto Armature	869	691155	Valve Seat (Intake)
334	94731	Screw (Magneto Armature)	870	690380	Valve Seat (Exhaust)
			871	63709	Guide Bushing (Intake Valve)
337	802592	Spark Plug			Guide Bushing (Exhaust Valve)
356	692390	Stop Wire	262001		Guide Bushing (Exhaust Valve)
358	497316	Gasket Set	921	497233	Blower Housing Cover
363	19069	Flywheel Pulley	922	262640	Brake Spring
383	89838	Spark Plug Wrench	923	691994	Brake
404	690272	Washer (Governor Crank)	957	397974	Fuel Tank Cap
			966	496116	A/C Primer Base
425	94872	Screw (Air Cleaner Cover)	968	281340	Air Cleaner Cover
			969	94696	Screw (Blower Housing Cover)
443	94873	Screw (A/C Primer Base)	970	94749	Screw (Support Bracket)
445	491588	A/C Cartridge Filter	972	495224	Fuel Tank
455	691219	Flywheel Cup	975	493640	Float Bowl
456	281503	Pawl Friction Plate	976	694395	Carburetor Primer
459	281505	Ratchet Pawl	977	498261	Carburetor Gasket Set
505	231082	Nut (Governor Control Lever)	1019	494256	Label Kit
			1036	694458	Emissions Label
523	495264	Dipstick	1058	274285	Owner's Manual
524	280966	★ Dipstick Tube Seal	1059	398540	Screw/Washer Kit
525	495265	Oil Fill Tube	1095	498528	Valve Overhaul Gasket Set
529	281299	Grommet	1210	498144	Starter Pulley
562	92613	Bolt (Governor Control Lever)	1211	498144	Rewind Starter Spring
			— —	12J8022915-B1	Replacement Engine
584	692342	Breather Passage Cover			
585	272238	★ Breather Passage Gasket			
592	94908	Nut (Rewind Starter Housing)			
597	94943	Screw (Pawl Friction Plate)			
601	93053	Hose Clamp			
608	497680	Rewind Starter			
613	94231	Screw (Exhaust Muffler) Retainer			
615	690340	Governor Crank			
616	691306	● ● O-Ring Seal (Intake Manifold)			
617	270344	Stop Switch			
621	396847	Spark Plug Boot			
635	66538	★ Spacer (Includes 2)			
668	493823	Fuel Tank Spacer			
670	280512	Screw (Breather Passage Cover)			
687	94515	Friction Spring			
689	263073	● ● Throttle Shaft Seal			
708	691321	Timing Gear			
741	262598	Screw (Brake)			
745	94512	Muffler Guard			
832	499034				
KEY	PART				

RPM Settings:

Low Speed: 1900-2100
High Speed: 3000-3200

- ★ Included in Engine Gasket Set, Ref Number 358.
- Included in Carburetor Overhaul Kit, Ref Number 121.
- ◆ Included in Carburetor Gasket Set, Ref Number 977.
- + Included in Valve Overhaul Kit, Ref Number 1095.

NOTE: All component dimensions given in U.S. inches 1 inch = 25.4 mm

