

**REPAIR PARTS MANUAL  
MODEL NO. 377751  
LAWN MOWER**



**LIMITED TWO YEAR WARRANTY ON CRAFTSMAN POWER MOWER**

For two years from date of purchase, when this Craftsman Lawn Mower is maintained, lubricated, and tuned up according to the operating and maintenance instructions in the owner's manual, Sears will repair free of charge any defect in material or workmanship.

If this Craftsman Lawn Mower is used for commercial or rental purposes, this warranty applies for only 90 days from the date of purchase.

This Warranty does not cover:

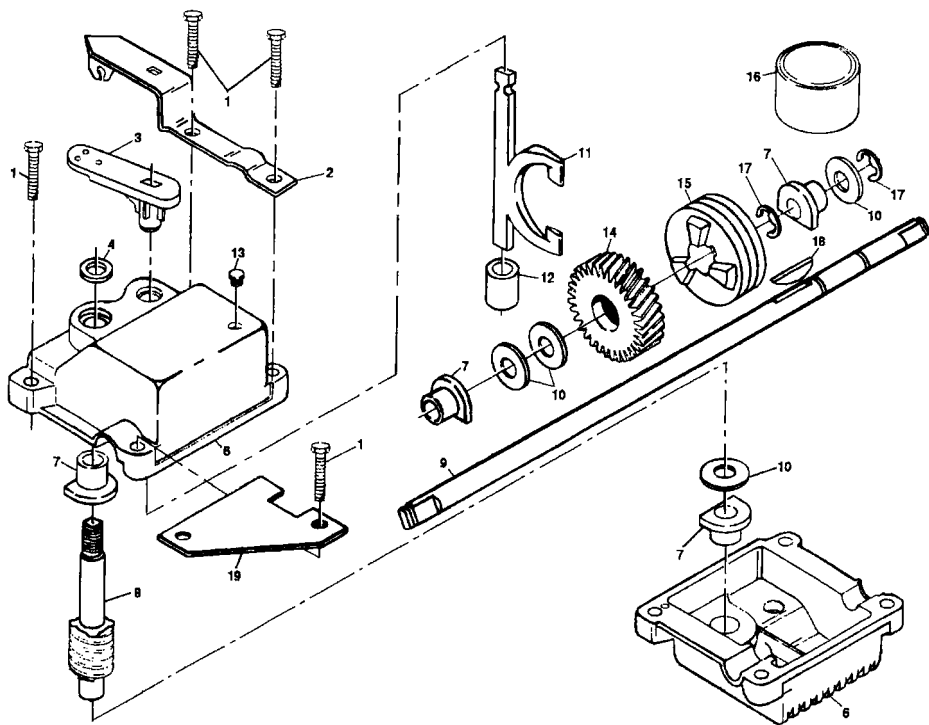
- Expendable items which become worn during normal use, such as rotary mower blades, blade adapters, belts, air cleaners and spark plug.
- Repairs necessary because of operator abuse or negligence, including bent crankshafts and the failure to maintain the equipment according to the instructions contained in the owner's manual.

Warranty service is available by returning the Craftsman power mower to the nearest Sears Service Center/Department in the United States. This warranty applies only while this product is in use in the United States.

This Warranty gives you specific legal rights, and you may also have other rights which vary from state to state.

SEARS, ROEBUCK AND CO., D/817 WA, HOFFMAN ESTATES, ILLINOIS 60179

**GEAR CASE ASSEMBLY PART NUMBER 702511**



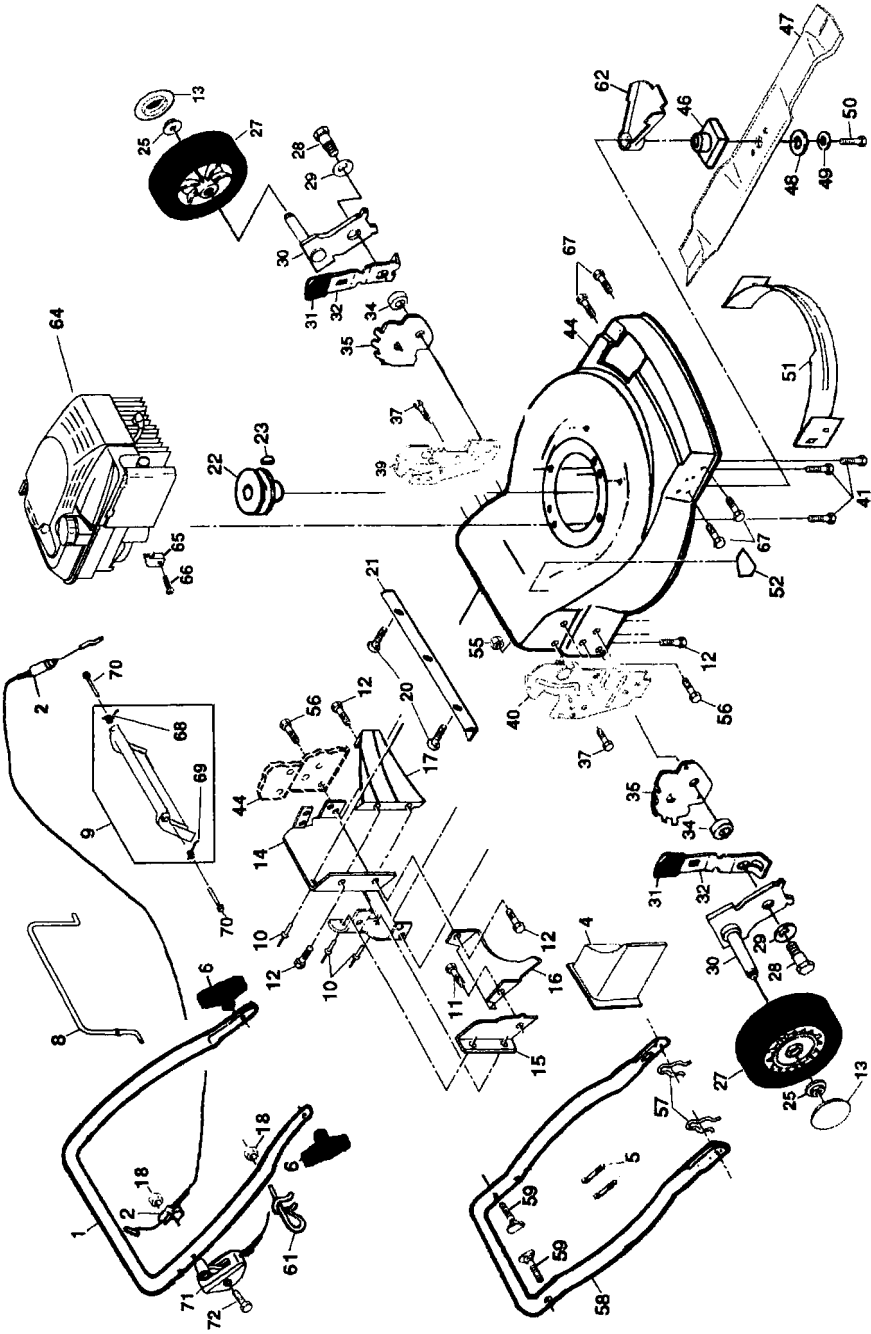
KEY NO.	PART NO.	DESCRIPTION
1	17490416	Tapping Screw 1/4-20 x 1-1/4
2	137055X004	Engagement Bracket
3	137053	Shifter
4	57072	Seal
6	48373	Gear Case Halves Kit (Includes Key Nos. 4 and 7)
7	77881	Bearing
8	137051	Worm Shaft
9	137074	Drive Shaft
10	57079	Hardened Washer

KEY NO.	PART NO.	DESCRIPTION
11	131484	Clutch Yoke
12	700343	Bushing
13	86447	Plug
14	137050	Helical Gear
15	750436X	Clutch Jaw
16	750369	Grease
17	12000003	E-Ring
18	850848	Hi-Pro Key
19	81585X004	Spring Bracket

**NOTE:** All component dimensions given in U.S. inches. 1 inch = 25.4 mm

# EPAIR PARTS

ROTARY LAWN MOWER -- MODEL NUMBER 917.377751



# REPAIR PARTS

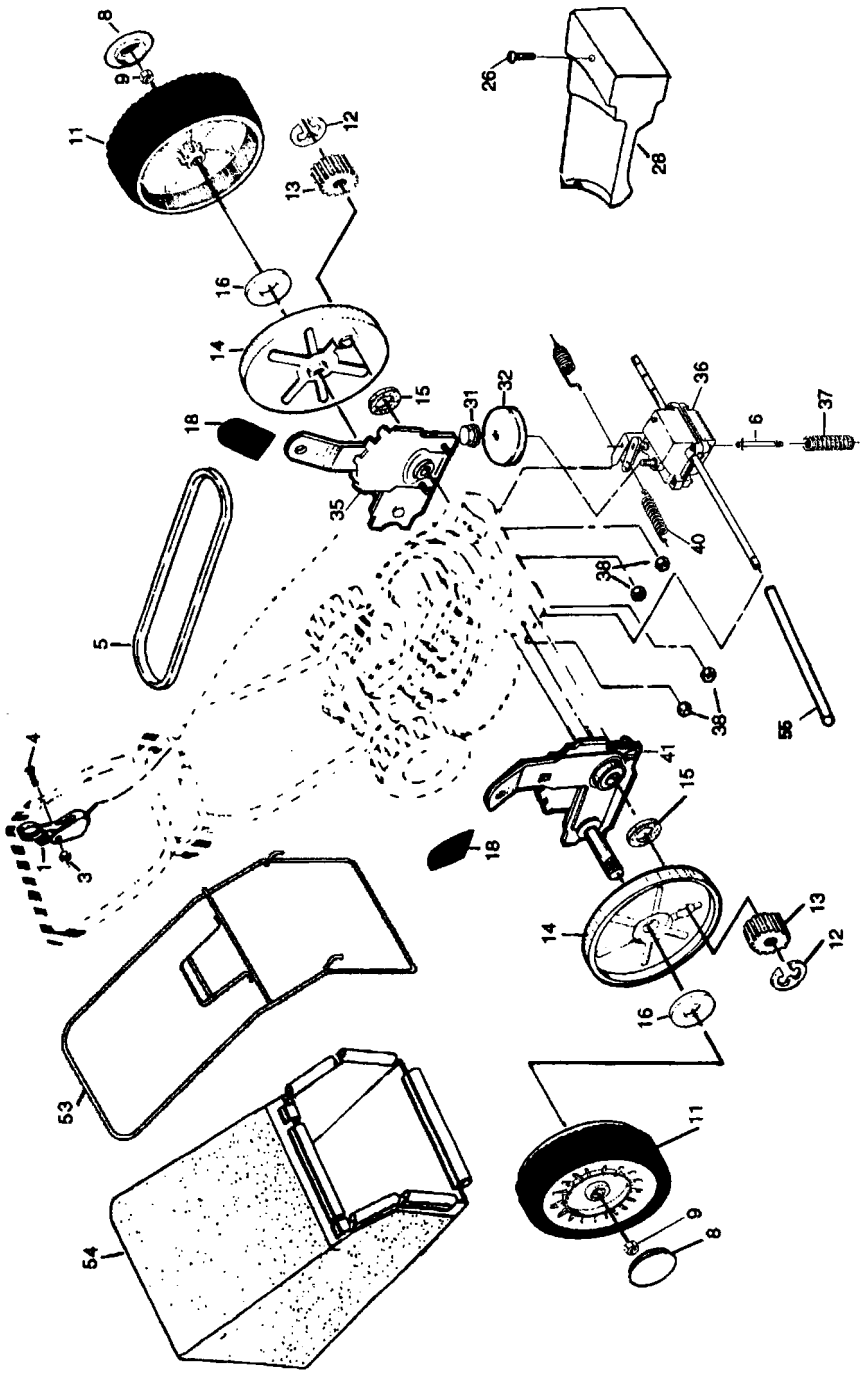
## ROTARY LAWN MOWER -- MODEL NUMBER 917.377751

KEY NO.	PART NO.	DESCRIPTION	KEY NO.	PART NO.	DESCRIPTION
1	166860X479	Upper Handle	41	150406	Hex Head Thread Rolling Screw 3/8-16 x 1-1/8
2	130861	Engine Zone Control Cable	44	173725	Lawn Mower Housing (Incl. Key #14, 15, 51)
4	150425	Mulcher Plug	46	851514	Blade Adapter
5	66426	Wife Tie	47	141114	Blade 22"
6	136376	Handle Knob	48	851074	Hardened Washer
8	146771	Control Bar	49	850263	Helical Washer 3/8-24 x 1-3/8 Gr. 8
9	170947	Rear Door Kit (Includes Key #68 and #69)	50	851084	Hex Head Machine Screw 3/8-24 x 1-3/8 Gr. 8
10	128415	Pop Rivet	51	170031	Front Baffle Kit
11	150050	Self Tapping Screw #10-24 x 5/8	52	145494	Danger/Decal
12	STD512505	Hex Tapping Screw w/Sems 1/4-20 x 1/2	55	751592	Locknut 3/8-16
13	77400	Hubcap	56	88652	Hinge Screw 1/4-20 x 1-1/4
14	156374X479	Back Plate	57	51793	Hairpin Cotter
15	700365X479	Slide Baffle	58	151590X479	Lower Handle
16	133190X479	Discharge Baffle	59	131959	Handle Bolt
17	140661X479	Rear Baffle	61	132001	Rope Guide
18	63601	Keeps Locknut 1/4-20	62	134612	Debris Shield
20	146694	Screw	64	-----	Engine - Model Briggs and Stratton 12H802-2646-B1 (See Breakdown)
21	146143X479	Footguard	65	111190X	Cable Clamp
22	84596	Engine Pulley	66	83816	Screw
23	87677	Hi-Pro Key #505	67	17600406	Screw
25	83923	Hex Flange Nut	68	170938	Spring LH
27	151158	Wheel	69	170939	Spring RH
28	142748	Shoulder Bolt 3/8-16 x 1	70	165912	Bolt Door
29	62335	Spring Washer	71	700417	Throttle Control
30	145935X004	Axle Arm Assembly	72	144929	Screw
31	701037	Selecter Knob	--	174237	Operator's Manual (Euro)
32	700331X004	Selecter Spring	--	174238	Operator's Manual (Scand)
34	146690	Spacer	--	177922	Repair Parts Manual
35	700325X007	Wheel Adjusting Bracket			
37	150078	Thread Cutting Screw w/Sems 5/16-18 x 3/4			
39	173569X479	Handle Bracket Assembly (Left)			
40	173570X479	Handle Bracket Assembly (Right)			

**NOTE:** All component dimensions given in U.S. inches.  
1 inch = 25.4 mm

# EPAIR PARTS

ROTARY LAWN MOWER -- MODEL NUMBER 917.377751



# REPAIR PARTS

## ROTARY LAWN MOWER -- MODEL NUMBER 917.377751

KEY NO.	PART NO.	DESCRIPTION
1	145755	Control Cable Assembly
3	751152	Locknut #10-24
4	158755	Pan Head Machine Screw 1/4 x 2.12
5	146527	V-Belt
6	150495	Spring Retainer
8	77400	Hubcap
9	145212	Flanged Nut
11	151156	Wheel & Tire Assembly
12	12000058	E-Ring
13	137054	Pinion
14	88080	Dust Cover
15	88118	Felt Washer
16	67725	Washer 1/2 x 1-1/2 x .134
18	701037	Selector Knob
26	143603	Pan Head Tapping Screw #10-24 x 2-3/4
28	154990	Drive Cover

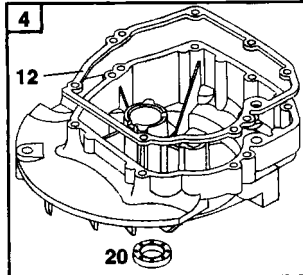
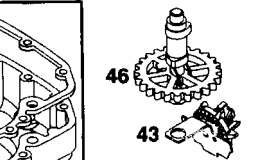
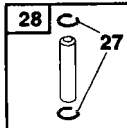
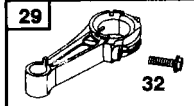
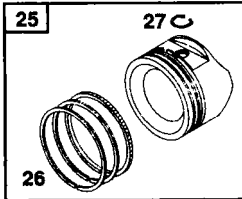
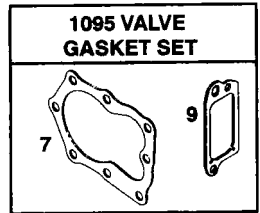
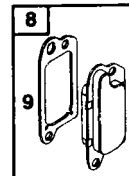
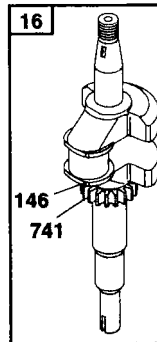
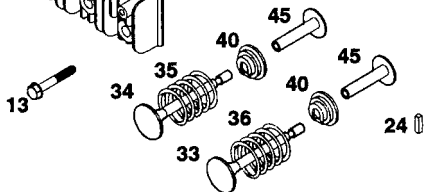
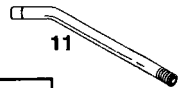
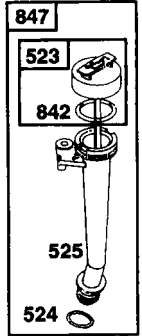
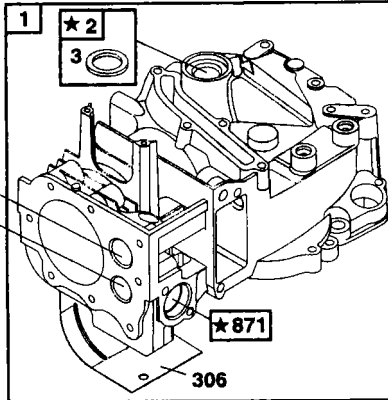
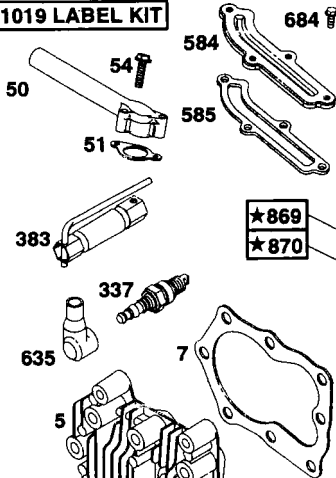
KEY NO.	PART NO.	DESCRIPTION
31	132010	Hex Flange Nut
32	137052	Drive Pulley
35	151521	Wheel Adjuster Assembly (Left)
36	702511	Gear Case Assembly
37	137090	Spring
38	63601	Nut
40	75192	Spring
41	151520	Wheel Adjuster Assembly (Right)
53	169931	Frame
54	173724	Grassbag Assembly
55	86012	Driveshaft Cover
--	161057	Warning Decal, Drive Cover (Not Shown)

**NOTE:** All component dimensions given in U.S. inches.  
1 inch = 25.4 mm

# REPAIR PARTS

ROTARY LAWN MOWER -- MODEL NUMBER 977.377751  
 BRIGGS & STRATTON ENGINE MODEL NUMBER 12H802 TYPE NUMBER 2646-B1

1019 LABEL KIT



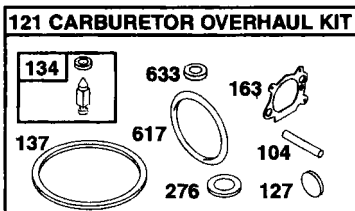
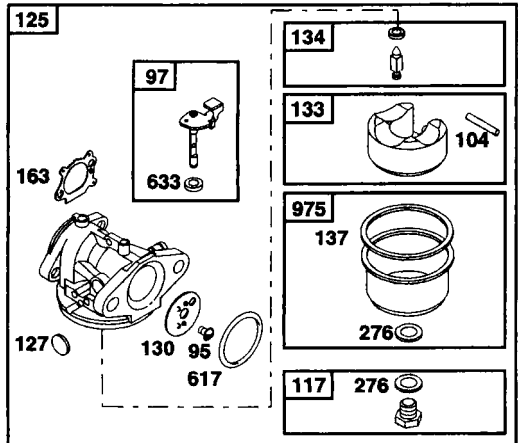
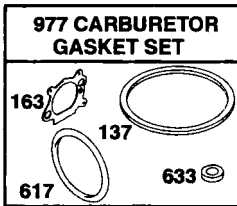
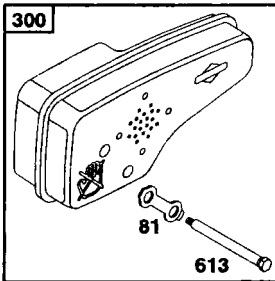
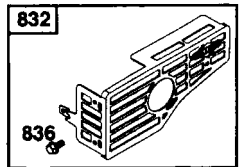
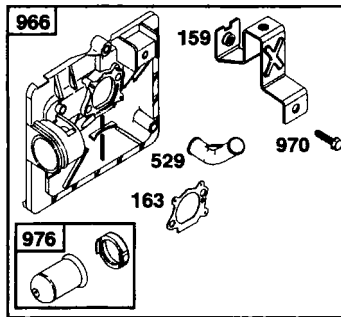
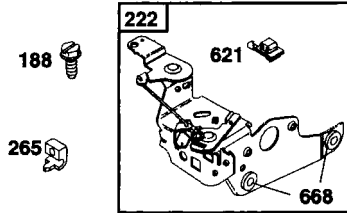
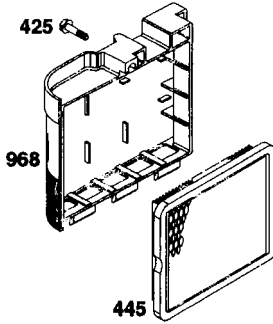
★ REQUIRES SPECIAL TOOLS TO INSTALL. SEE REPAIR INSTRUCTION MANUAL.

1058 OWNER'S MANUAL

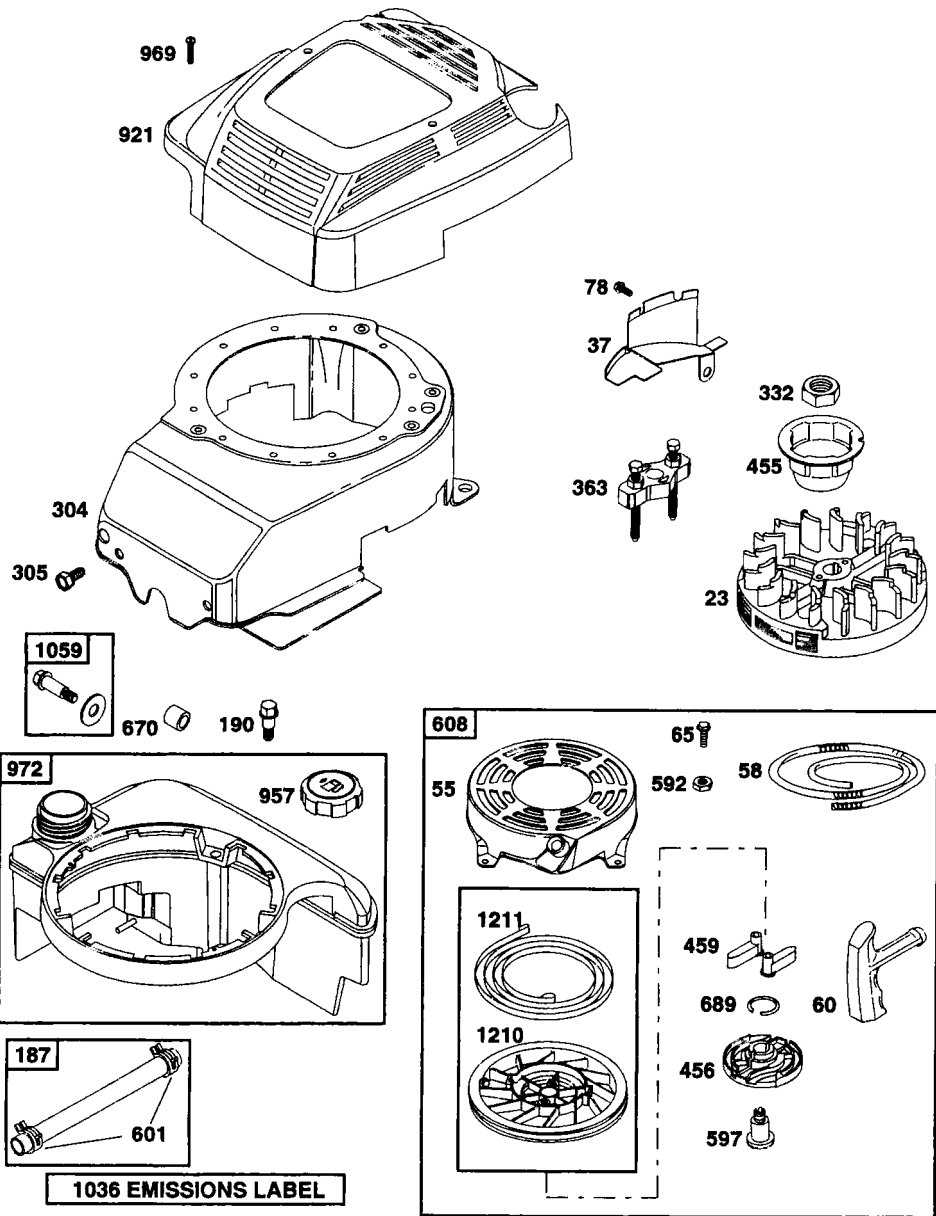


# REPAIR PARTS

ROTARY LAWN MOWER -- MODEL NUMBER 977.377751  
BRIGGS & STRATTON ENGINE MODEL NUMBER 12H802 TYPE NUMBER 2646-B1

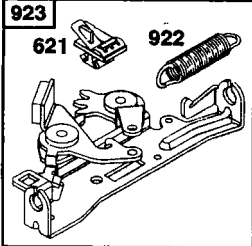
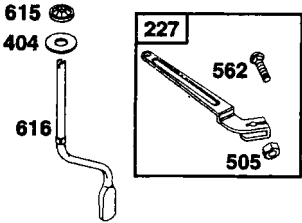
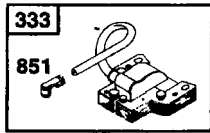
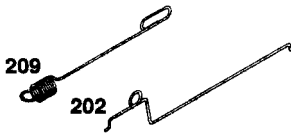
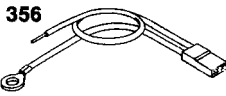
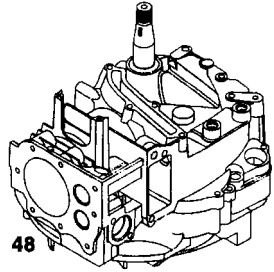
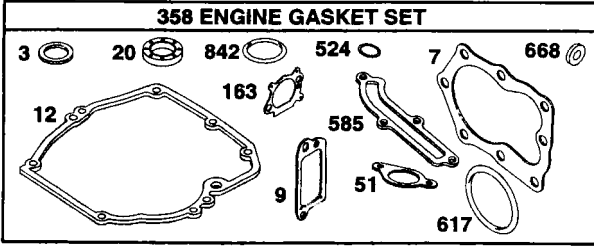


**ROTARY LAWN MOWER -- MODEL NUMBER 977.377751  
BRIGGS & STRATTON ENGINE MODEL NUMBER 12H802 TYPE NUMBER 2646-B1**



# REPAIR PARTS

ROTARY LAWN MOWER -- MODEL NUMBER 977.377751  
BRIGGS & STRATTON ENGINE MODEL NUMBER 12H802 TYPE NUMBER 2646-B1



**ROTARY LAWN MOWER -- MODEL NUMBER 977.377751  
BRIGGS & STRATTON ENGINE MODEL NUMBER 12H802 TYPE NUMBER 2646-B1**

<b>KEY NO.</b>	<b>PART NO.</b>	<b>DESCRIPTION</b>	<b>KEY NO.</b>	<b>PART NO.</b>	<b>DESCRIPTION</b>
1	493260	Cylinder Assembly	48	498826	Short Block (Replacement Engine 12J802-2915-B1)
2	399269	Kit-Bushing/Seal	50	497465	Manifold-Intake
3	299819	• Seal-Oil (Magneto Side)	51	272199	• Gasket-Intake
4	493279	Sump-Engine	54	691650	Screw (Intake Manifold)
5	691160	Head-Cylinder	55	691421	Housing-Rewind Starter
7	692249	+ Gasket-Cylinder Head	58	692259	Rope-Starter (Cut to Length)
8	695250	Breather Assembly	60	281434	Grip-Starter Rope
9	272481	+ Gasket-Breather	65	690837	Screw (Rewind Starter)
10	691125	Screw (Breather Assembly)	78	691108	Screw (Flywheel Guard)
11	691781	Tube-Breather	81	691740	Lock-Muffler Screw
12	692232	• Gasket-Crankcase	95	691636	Screw (Throttle Valve)
13	690912	Seal-Oil (Cylinder Head)	97	493267	Shaft-Throttle
15	691680	Plug-Oil Drain	104	691242	∅ Pin-Float Hinge
16	691451	Crankshaft	117	494870	Jet-Main (Standard)
20	399781	• Seal-Oil (PTO Side)		497315	Jet-Main (High Altitude)
22	691092	Screw (Engine Sump)	121	498260	Kit-Carburetor Overhaul
23	692315	Flywheel	125	498170	Carburetor
24	222698	Key-Flywheel	127	694468	∅ Plug-Welch
25	499429	Piston Assembly (Standard)	130	691203	Valve-Throttle
	499430	Piston Assembly (.010" O.S.)	133	398187	Float-Carburetor
	499431	Piston Assembly (.020" O.S.)	134	398188	∅ Valve-Needle/Seat
	499432	Piston Assembly (.030" O.S.)	137	693981	∅‡ Gasket-Float Bowl
26	499425	Ring Set-Piston (Standard)	146	690979	Key-Timing
	499426	Ring Set-Piston (.010" O.S.)	159	691753	Bracket-Air Cleaner Primer
	499427	Ring Set-Piston (.020" O.S.)	163	272653	•∅‡ Gasket-Air Cleaner
	499428	Ring Set-Piston (.030" O.S.)	187	691050	Line-Fuel (Cut to Length)
27	691866	Lock-Piston Pin	188	690877	Screw (Control Bracket)
28	499423	Pin-Piston	190	690940	Screw (Fuel Tank)
29	499424	Rod-Connecting	202	691829	Link-Mechanical Governor
32	691664	Screw (Connecting Rod)	209	690319	Spring-Governor
32A	695759	Screw (Connecting Rod)	222	692031	Bracket-Control
33	262651	Valve-Exhaust	227	690783	Control Lever-Governor
34	262652	Valve-Intake	265	690798	Clamp-Casing
35	691270	Spring-Valve (Intake)	276	271716	‡ Sealing Washer
36	691270	Spring-Valve (Exhaust)	287	690940	Screw (Dipstick Tube)
37	694086	Guard-Flywheel	300	692038	Muffler
40	692194	Retainer-Valve	304	695892	Housing-Blower
43	691997	Slinger-Governor/Oil	305	691108	Screw (Blower Housing)
45	690548	Tappet-Valve	306	690450	Shield-Cylinder
46	691449	Camshaft			

# REPAIR PARTS

**ROTARY LAWN MOWER -- MODEL NUMBER 977.377751**  
**BRIGGS & STRATTON ENGINE MODEL NUMBER 12H802 TYPE NUMBER 2646-B1**

KEY NO.	PART NO.	DESCRIPTION	KEY NO.	PART NO.	DESCRIPTION
307	690345	Screw (Cylinder Shield)	689	691855	Spring-Friction
332	690662	Nut (Flywheel)	741	691830	Gear-Timing
333	802574	Armature-Magneto	745	691648	Screw (Brake)
334	691061	Screw (Armature Magneto)	832	499034	Guard-Muffler
337	802592	Spark Plug	836	690664	Screw (Muffler Guard)
356	692390	Wire-Stop	842	691031	Seal-O Ring (Dipstick Tube)
358	497316	Engine Gasket Set	847	692017	Assembly-Dipstick/Tube
363	19069	Flywheel Puller	851	493880	Terminal-Sparkplug
365	692524	Screw (Carburetor)	869	691155	Seat-Valve (Intake)
383	89838	Wrench-Spark Plug	870	690380	Seat-Valve (Exhaust)
404	690272	Washer (Governor Crank)	871	262001	Bushing-Guide (Exhaust)
425	690670	Screw (Air Cleaner Cover)		63709	Bushing-Guide (Intake)
443	692523	Screw (Air Cleaner Primer Base)	921	497233	Cover-Blower Housing
		Filter-Air Cleaner Cartridge	922	692135	Spring-Brake
445	491588	Cup-Flywheel	923	695891	Brake
455	691219	Plate-Pawl Friction	957	397974	Cap-Fuel Tank
456	692299	Pawl-Ratchet	966	496116	Base-Air Cleaner Primer
459	281505	Nut (Governor Control Lever)	968	692298	Cover-Air Cleaner
505	231082	Dipstick	969	690700	Screw (Blower Housing Cover)
523	495264	Seal-Dipstick Tube	970	691669	Screw (Air Cleaner Primer Bracket)
524	692296	Tube-Dipstick	972	495224	Tank-Fuel
525	495265	Grommet	975	493640	Bowl-Float
529	691923	Bolt (Governor Control Lever)	976	694395	Primer-Carburetor
562	92613	Cover-Breather Passage	977	498261	Set-Carburetor Gasket
584	692342	Gasket-Breather Passage	1019	494256	Kit-Label
585	691879	Nut (Rewind Starter)	1036	695111	Label-Emissions
592	690800	Screw (Pawl Friction Plate)	1058	274978	Owner's Manual
597	691696	Clamp-Hose	1059	692311	Kit-Screw/Washer
601	95162	Starter-Rewind	1095	498528	Set-Valve Gasket
608	497680	Screw (Muffler)	1210	498144	Assy-Pulley/Spring (Pulley)
613	691340	Retainer-Governor Shaft	1211	498144	Assy-Pulley/Spring (Spring)
615	690340	Crank-Governor			
616	691306	Seal-O Ring (Intake Manifold)			
617	270344	Switch-Stop			
621	692310	Seal-Choke/Throttle Shaft			
633	691321	Boot-Sparkplug			
635	66538	Spacer (Includes 2)			
668	493823	Spacer-Fuel Tank			
670	692294	Screw			
684	690345	(Breather Passage Cover)			

- Included in Engine Gasket Set, Key #358
- Ø Included in Carburetor Overhaul Kit, Key #121
- ‡ Included in Carburetor Gasket Set, Key #977
- + Included in Valve Overhaul Kit, Key #1095

**NOTE:** All component dimensions given in U.S. inches. 1 inch = 25.4 mm

