

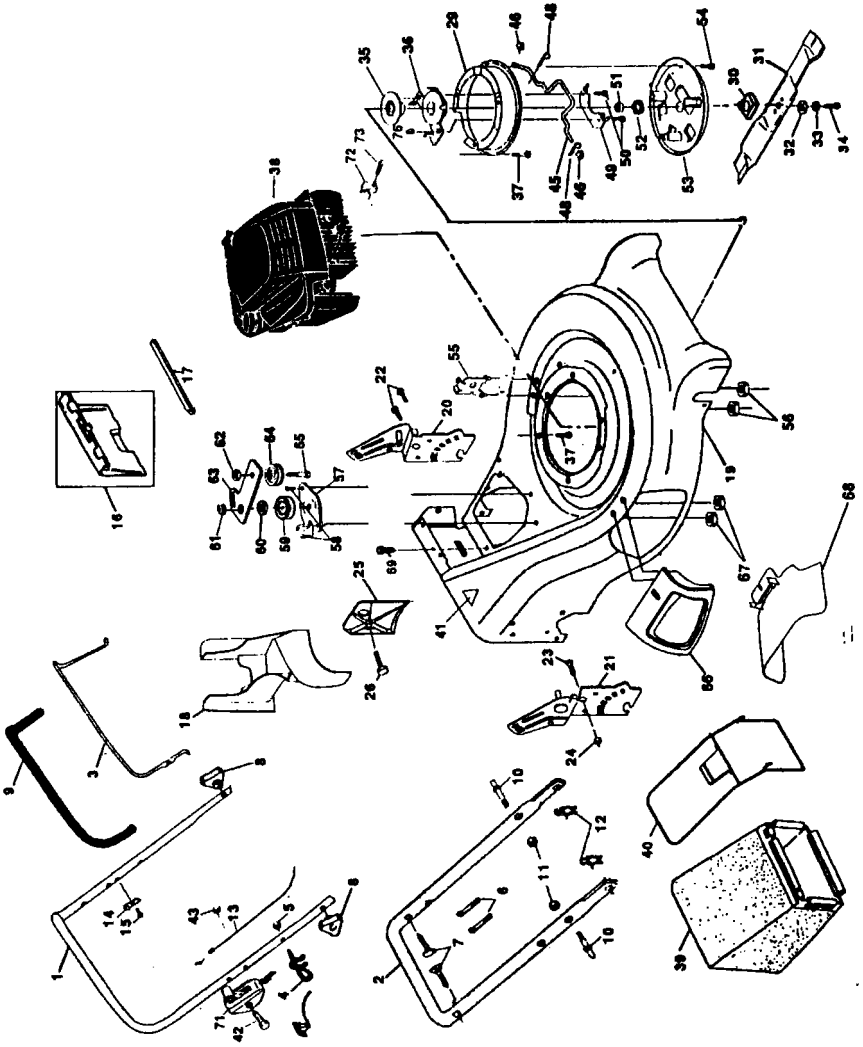
**REPAIR PARTS MANUAL
MODEL NO. 377760
LAWN MOWER**

CRAFTSMAN®

REPAIR PARTS

ROTARY LAWN MOWER -- MODEL NO. 377760

AIR PARTS



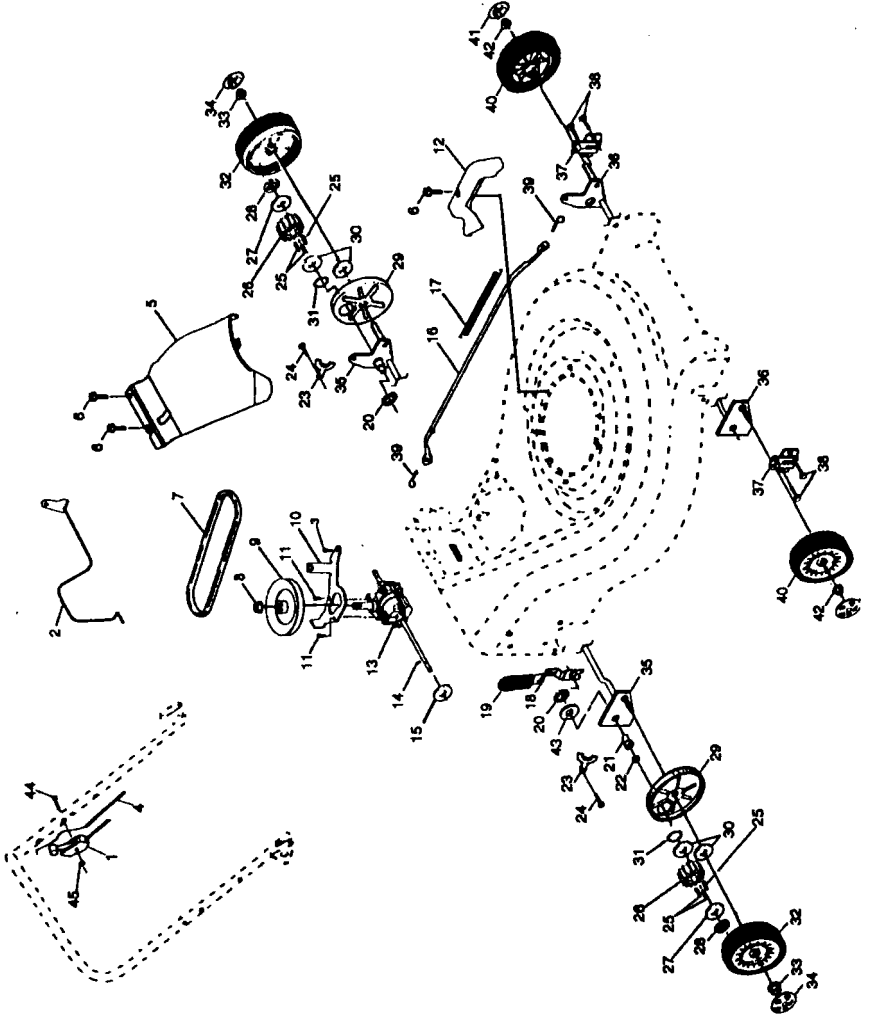
REPAIR PARTS

ROTARY LAWN MOWER -- MODEL NO. 377760

KEY NO.	PART NO.	DESCRIPTION	KEY NO.	PART NO.	DESCRIPTION
1	167163	Handle, Upper Dix Comf. (Includes Grip)	39	173727	Grass Catcher Bag
2	161105X479	Handle, Lower	40	161358	Grass Catcher Frame
3	131036	Bail, Cont. Wire Dix Comf. Blk	41	145494	Danger Decal
4	132001	Guide, Rope, Side	42	144929	Screw
5	63601	Nut, Hex Lockwasher 1/4-20	43	63601	Nut
6	66426	Wire, Tie	45	166034	Rod, Pulley Engage
7	131959	Bolt, Handle 5/16-18 x 1.75	46	166041	Bushing
8	87692	Knob, Handle	48	169605	Retainer Clip
9	164265	Grip, Hdl Foam Smooth	49	166039X008	Clamp
10	161551	Bolt, Sq. Neck	50	54583	Screw
11	73990500	Nut, Hex Lockwasher Ins. 5/16-18 UNC	51	169980	Spacer
12	51793	Cotter, Hairpin	52	170868	Wave Washer
13	133107	Engine Zone Control Cable	53	173041	Belt Cover, Bottom
14	850733X004	Bracket, Upstop	54	750097	Screw
15	83816	Screw, Hex Washer Head Tapping 10-2	55	166383X479	Cable Support Bracket
16	162085	Kit, Door Rear	56	63601	Nut
17	161548	Seal, Door	57	166391X004	Bracket Assy.
18	165261	Plug, Mulcher	58	57808	Screw
19	173728	Kit, Housing	59	166042	V-Groove Pulley
20	161568X479	Handle, Bracket Asm. Left	60	166050	Idler Arm Spacer
21	168227X479	Handle, Bracket Asm. Right	61	145212	Flange Nut
22	150078	Screw, Hex Wshd	62	155552	Locknut
23	163183	Bolt, Hex Head 5/16-18 x 5/8	63	166022X008	Idler Arm
24	63124	Nut, Hex Lock Wshr 5/16-18	64	166043	Idler Pulley
25	161333	Barfile, Side	65	160829	Shoulder Bolt
26	163409	Screw 12 x 5/8	66	171962	Door Assy.
29	166036X479	Belt Cover, Top	67	88349	Nut
31	159267	Adapter, Blade w/key Longer	68	169699	Multi Cut Guard
32	851074	Blade, 21"	69	54583	Screw
33	850263	Washer, Hardened	71	164137	Throttle Control
34	851084	Lockwasher, Helical Spring 3/8	72	111190X	Engine Clamp
35	169809	Screw, Hex Head 3/8-24 x 1.38	73	83816	Screw
36	170045	Pulley, Fixed	76	87677	Hi Pro Key
37	150406	Bearing Support Assy.	..	161057	Warning Decal (Not Shown)
38	Bolt, Engine	..	174240	Operator's Manual (Euro)
		Engine Briggs and Stratton 12H802-2645-B1	..	174241	Operator's Manual (Scand)
		(See Breakdown)	..	174242	Replacement Parts Manual

REPAIR PARTS

ROTARY LAWN MOWER -- MODEL NO. 377760



REPAIR PARTS

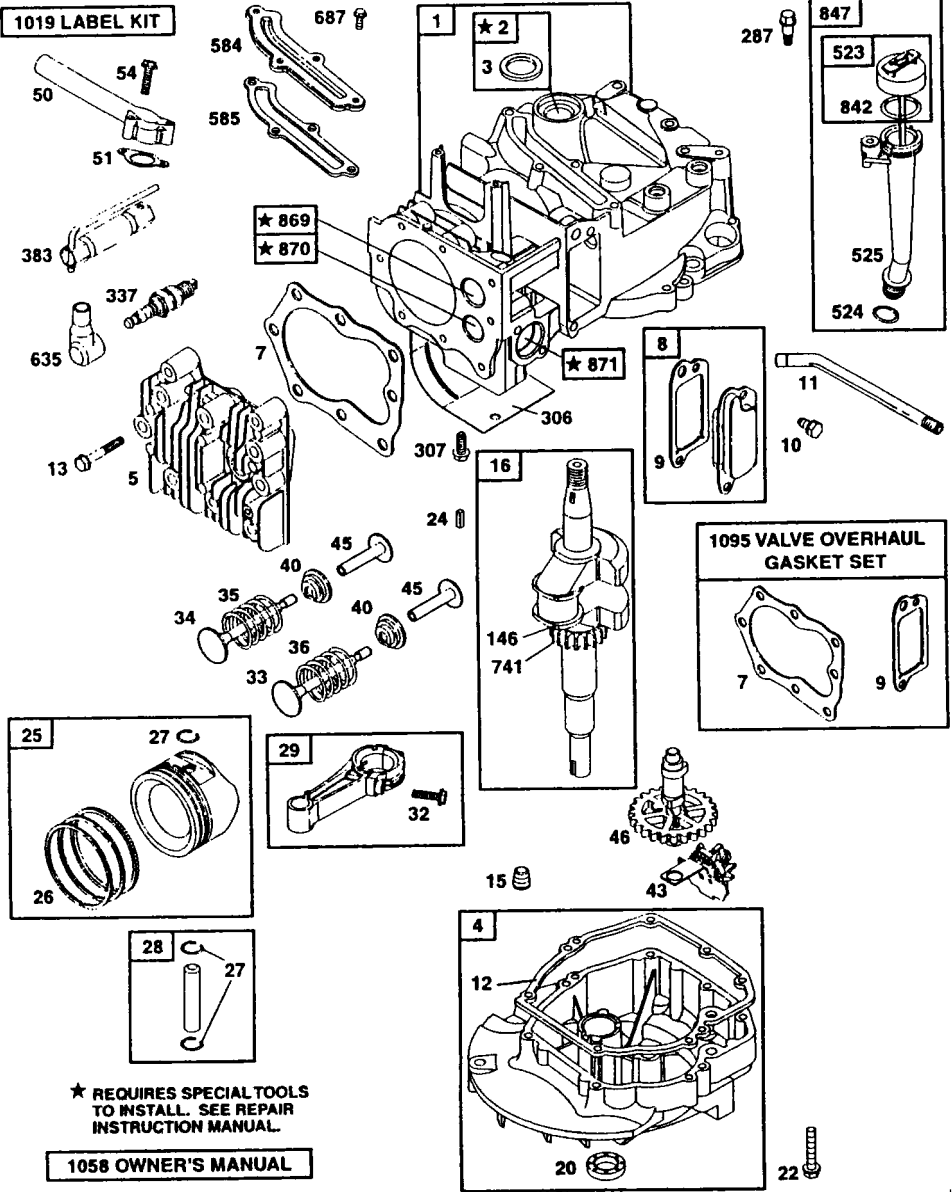
ROTARY LAWN MOWER -- MODEL NO. 377760

KEY NO.	PART NO.	DESCRIPTION	KEY NO.	PART NO.	DESCRIPTION
1	170960	Speed Control	24	57808	Screw Hex Head Tapping 1/4-20 x .75
2	167259	Ball Control Drive	25	170011	Drive Pawl
3	54583	Screw	26	166450	Pinion, Drive
4	170050	Drive Cable	27	52160	Washer
5	161537	Cover Drive	28	12000058	E-Ring 7/16
6	750634	Screw Thdrol 10-25 x .50	29	88080	Cover, Dust Wheel
7	166060	V-Belt	30	67725	Washer 1/2 x 1-1/2 x .134
8	132010	Nut Lock Flanged 3/8-16 Zinc	31	57143	Wave Washer
9	166049	Pulley Driven	32	172324	Wheel 9 x 2
10	166021X004	Belt Keeper Bracket	33	145212	Nut Hex Flange Lock
11	17541011	Screw Hex Wash Head 10-24 X .668	34	150181	Hubcap, Mag Platinum 9"
12	166189	Pivot Rod Cover	35	160785 X004	Shaft Asm. Rear
13	166388	Transmission Asm.	36	160786X004	Shaft Asm. Front
14	145354	Pin Spring Thrust	37	161463	Retainer Front Shaft
15	57079	Washer Hardened	38	163409	Screw 12 x 5/8
16	161584X479	Rod Connecting	39	700279	Clip Retainer
17	161602	Spring Extension	40	172323	Wheel
18	160477X004	Spring Selector	41	150182	Hubcap, Mag Platinum 8"
19	167650	Knob Selector Spring	42	83923	Nut, Hex Flange Lock 3/8-16
20	12000022	E-Ring 7/8	43	19572216	Washer
21	163365	Bearing Support	44	144929	Screw 1/4 x 2.12
22	169911	Bearing Ball	45	751152	Locknut
23	161118X004	Retainer Drive Asm. Stmp.			

REPAIR PARTS

ROTARY LAWN MOWER - - MODEL NO. 377760

BRIGGS & STRATTON ENGINE MODEL NUMBER 12H802 TYPE NUMBER 2645-B1



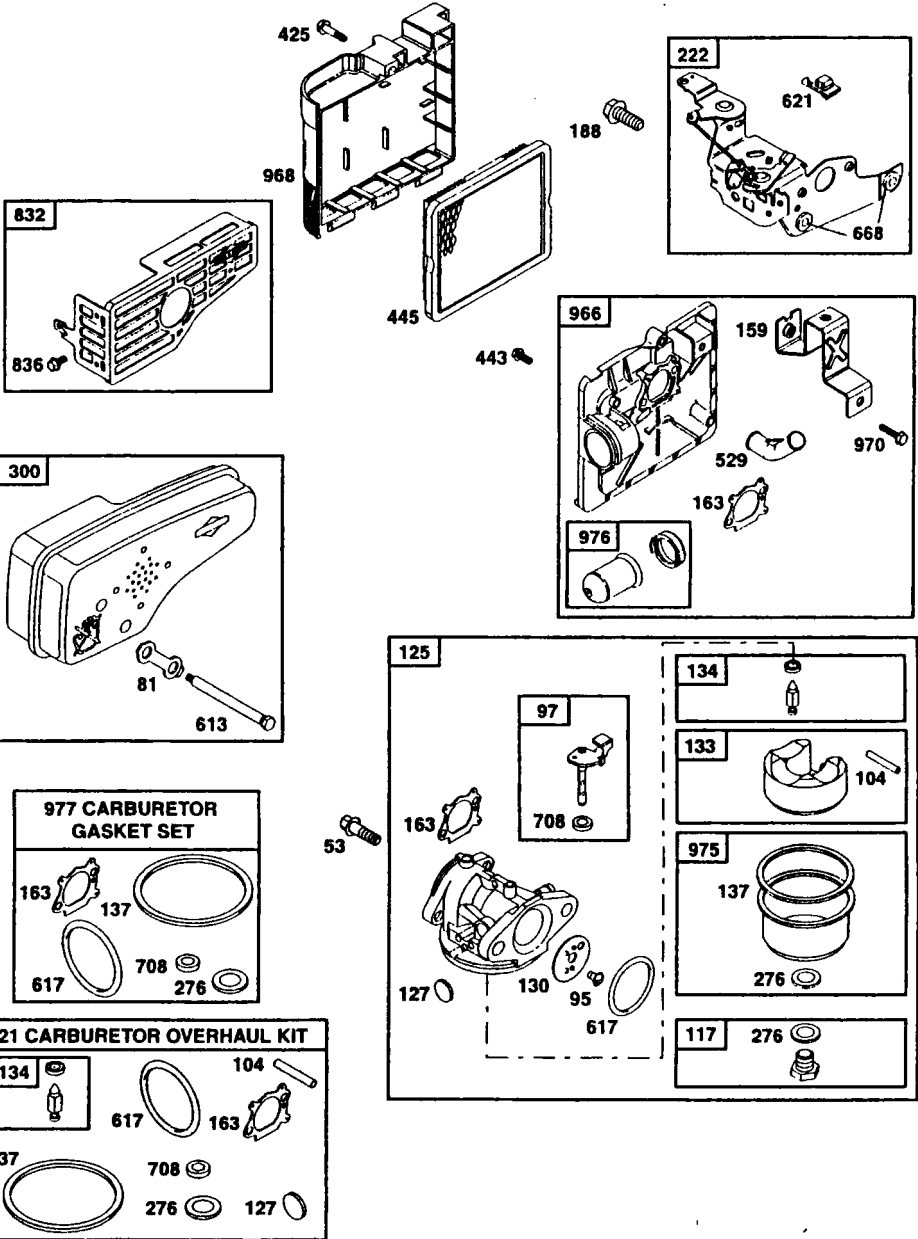
★ REQUIRES SPECIAL TOOLS TO INSTALL. SEE REPAIR INSTRUCTION MANUAL.

1058 OWNER'S MANUAL

REPAIR PARTS

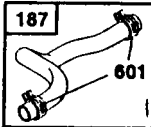
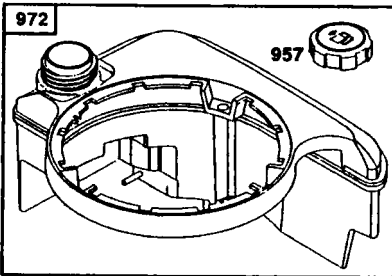
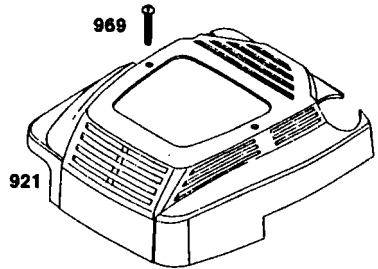
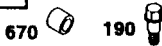
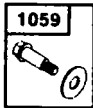
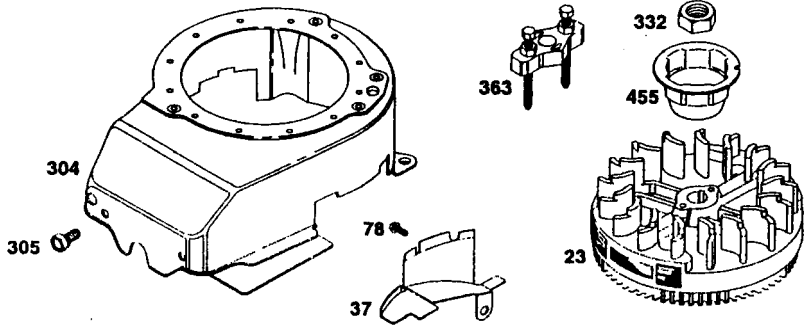
ROTARY LAWN MOWER -- MODEL NO. 377760

BRIGGS & STRATTON ENGINE MODEL NUMBER 12H802 TYPE NUMBER 2645-B1

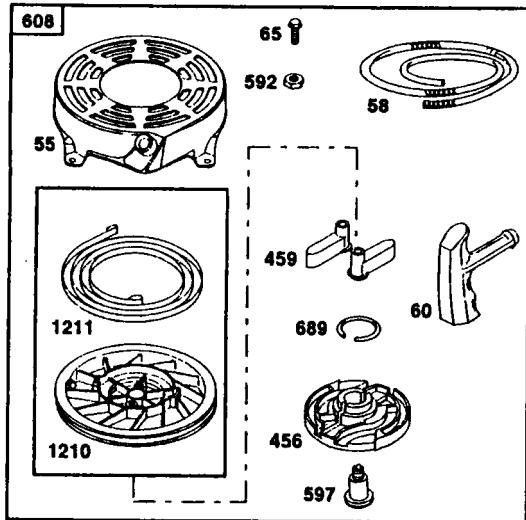


REPAIR PARTS

ROTARY LAWN MOWER - - MODEL NO. 377760
BRIGGS & STRATTON ENGINE MODEL NUMBER 12H802 TYPE NUMBER 2645-B1

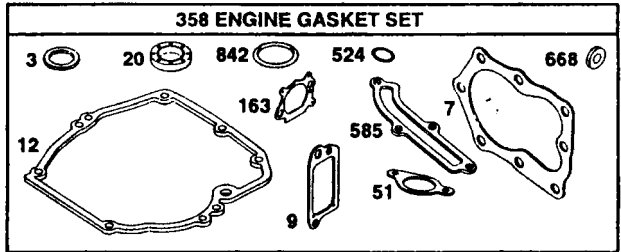
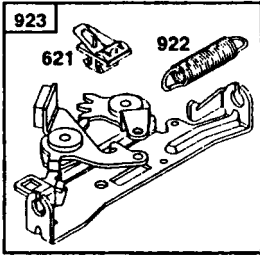
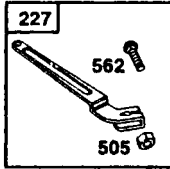
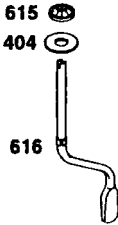
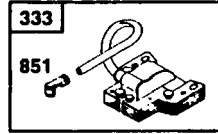
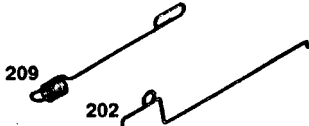
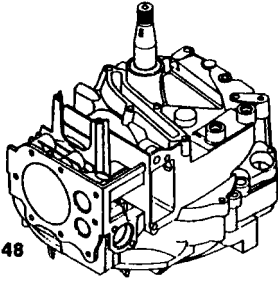


1036 EMISSIONS LABEL



REPAIR PARTS

ROTARY LAWN MOWER -- MODEL NO. 37760
BRIGGS & STRATTON ENGINE MODEL NUMBER 12H802 TYPE NUMBER 2645-B1



REPAIR PARTS

ROTARY LAWN MOWER - - MODEL NO. 377760 BRIGGS & STRATTON ENGINE MODEL NUMBER 12H802 TYPE NUMBER 2645-B1

KEY NO.	PART NO.	DESCRIPTION	KEY NO.	PART NO.	DESCRIPTION
1	493260	Cylinder Assembly	58	281464	Starter Rope (Cut to Required Length)
2	293708	Bushing/Seal Kit			Starter Rope Grip
3	299819	★ Oil Seal	60	281434	Screw (Rewind Starter)
4	493279	Engine Sump	65	94904	Screw (Flywheel Guard)
5	691160	Cylinder Head	78	691108	Muffler Screw Lock
7	272916	★+ Cylinder Head Gasket	81	223664	Screw (Throttle Valve)
8	495786	Breather Assembly	95	94098	Throttle Shaft
9	272481	★+ Breather Gasket	97	493267	● Float Hinge Pin
10	94650	Screw (Breather Assembly)	104	691242	● Main Jet (Standard)
			117	494870	● Main Jet (High Altitude)
11	231933	Breather Tube		497315	● Carburetor Overhaul Kit
12	272198	★ Crankcase Gasket	121	498260	● Carburetor
13	94547	Screw (Cylinder Head)	125	498170	● Welch Plug
15	691680	Oil Drain Plug	127	694468	● Throttle Valve
16	691451	Crankshaft	130	224908	● Carburetor Float
20	399781	★ Oil Seal	133	398187	● Needle Valve (Includes Seat)
22	691092	Screw (Engine Sump)	134	398188	● ♦ Float Bowl Gasket
23	492177	Flywheel			● Timing Key
24	222698	Flywheel Key	137	280492	● Support Bracket
25	499429	Piston Assembly (Standard)	146	94388	★ ♦ ♦ Air Cleaner Gasket
	499430	Piston Assy. (.010 O.S.)	159	224815	● Fuel Line
	499431	Piston Assy. (.020 O.S.)	163	272653	● Screw (Control Bracket)
	499432	Piston Assy. (.030 O.S.)	187	691050	● Screw (Fuel Tank)
26	499425	Ring Set (Standard)	188	94644	● Mechanical Governor Link
	499426	Ring Set (.010 O.S.)	190	94511	● Governor Spring
	499427	Ring Set (.020 O.S.)	202	262579	● Control Bracket
	499428	Ring Set (.030 O.S.)	209	263044	● Governor Control Lever
27	263190	Piston Pin Lock	222	497203	● ♦ Sealing Washer
28	499423	Piston Pin	227	690783	● Screw (Oil Fill Tube)
29	499424	Connecting Rod	276	271716	● Exhaust Muffler
32	94699	Screw (Connecting Rod)	287	94511	● Blower Housing
33	262651	Exhaust Valve	300	497838	● Screw (Blower Housing)
34	262652	Intake Valve	304	493293	● Cylinder Shield
35	691270	Valve Spring (Intake)	305	691108	● Screw (Cylinder Shield)
36	691270	Valve Spring (Exhaust)	306	690450	
37	694086	Flywheel Guard	307	690345	
40	93312	Valve Retainer			
43	493737	Governor/Oil Slinger	★	Included In Engine Gasket Set, Ref Number 358.	
45	690548	Valve Tappet	●	Included In Carburetor Overhaul Kit, Ref Number 121.	
48	498826	Short Block	♦	Included In Carburetor Gasket Set, Ref Number 977.	
46	691449	Cam Gear	+	Included In Valve Overhaul Kit, Ref Number 1095.	
50	497465	Intake Manifold			
51	272199	★ Intake Gasket			
53	692524	Screw (Carburetor)			
54	94526	Screw (Intake Manifold)			
55	691421	Rewind Starter Housing			

NOTE: All component dimensions given in U.S. inches 1 inch = 25.4 mm

REPAIR PARTS

ROTARY LAWN MOWER - - MODEL NO. 377760

BRIGGS & STRATTON ENGINE MODEL NUMBER 12H802 TYPE NUMBER 2645-B1

KEY NO.	PART NO.	DESCRIPTION	KEY NO.	PART NO.	DESCRIPTION
332	94877	Nut (Flywheel)	836	94874	Screw (Muffler Guard)
333	802574	Magneto Armature	842	280393	★ Dipstick/Tube Seal
334	94731	Screw (Magneto Armature)	847	495263	Dipstick/Tube Assembly
337	802592	Spark Plug	851	493880	Spark Plug Terminal
356	692390	Stop Wire	869	691155	Valve Seat (Intake)
358	497316	Gasket Set	870	690380	Valve Seat (Exhaust)
363	19069	Flywheel Puller	871	63709	Guide Bushing (Intake Valve)
383	89838	Spark Plug Wrench		262001	Guide Bushing (Exhaust Valve)
404	690272	Washer (Governor Crank)	921	497233	Blower Housing Cover
425	94872	Screw (Air Cleaner Cover)	922	262640	Brake Spring
443	94873	Screw (A/C Primer Base)	923	691994	Brake
445	491588	A/C Cartridge Filter	957	397974	Fuel Tank Cap
455	691219	Flywheel Cup	966	496116	A/C Primer Base
456	281503	Pawl Friction Plate	968	281340	Air Cleaner Cover
459	281505	Ratchet Pawl	969	94696	Screw (Blower Housing Cover)
505	231082	Nut (Governor Control Lever)	970	94749	Screw (Support Bracket)
523	495264	Dipstick	972	495224	Fuel Tank
524	280966	★ Dipstick Tube Seal	975	493640	Float Bowl
525	495265	Oil Fill Tube	976	694395	Carburetor Primer
529	281299	Grommet	977	498261	Carburetor Gasket Set
562	92613	Bolt (Governor Control Lever)	1019	494256	Label Kit
584	692342	Breather Passage Cover	1036	694458	Emissions Label
585	272238	★ Breather Passage Gasket	1058	274265	Owner's Manual
592	94908	Nut (Rewind Starter Housing)	1059	398540	Screw/Washer Kit
597	94943	Screw (Pawl Friction Plate)	1095	498528	Valve Overhaul Gasket Set
601	93053	Hose Clamp	1210	498144	Starter Pulley
608	497680	Rewind Starter	1211	498144	Rewind Starter Spring
613	94231	Screw (Exhaust Muffler)	— —	12J8022915-B1	Replacement Engine
615	690340	Retainer			
616	691306	Governor Crank			
617	270344	● ◆ O-Ring Seal (Intake Manifold)			
621	396847	Stop Switch			
635	66538	Spark Plug Boot			
668	493823	★ Spacer (Includes 2)			
670	280512	Fuel Tank Spacer			
687	94515	Screw (Breather Passage Cover)			
689	263073	Friction Spring			
708	691321	● ◆ Throttle Shaft Seal			
741	262598	Timing Gear			
745	94512	Screw (Brake)			
832	499034	Muffler Guard			

RPM Settings: Low Speed: 1900-2100
High Speed: 3000-3200

- ★ Included in Engine Gasket Set, Ref Number 358.
- Included in Carburetor Overhaul Kit, Ref Number 121.
- ◆ Included in Carburetor Gasket Set, Ref Number 977.
- + Included in Valve Overhaul Kit, Ref Number 1095.

NOTE: All component dimensions given in U.S. inches 1 inch = 25.4 mm

LIMITED TWO YEAR WARRANTY ON CRAFTSMAN POWER MOWER

For two years from date of purchase, when this Craftsman Lawn Mower is maintained, lubricated, and tuned up according to the operating and maintenance instructions in the owner's manual, Sears will repair free of charge any defect in material or workmanship. If this Craftsman Lawn Mower is used for commercial or rental purposes, this warranty applies for only 90 days from the date of purchase.

This Warranty does not cover:

- Expendable items which become worn during normal use, such as rotary mower blades, blade adapters, belts, air cleaners and spark plug.
- Repairs necessary because of operator abuse or negligence, including bent crankshafts and the failure to maintain the equipment according to the instructions contained in the owner's manual.

Warranty service is available by returning the Craftsman power mower to the nearest Sears Service Center/Department in the United States. This warranty applies only while this product is in use in the United States.

This Warranty gives you specific legal rights, and you may also have other rights which vary from state to state.

SEARS, ROEBUCK AND CO., D/817 WA, HOFFMAN ESTATES, ILLINOIS 60179

CRAFTSMAN®