

⊥

SEARS Owner's Manual

CRAFTSMAN® **6.6 HORSEPOWER** **22" REAR DISCHARGE** **ROTARY LAWN MOWER**

Model No.
917.379322

EZ³

- Safety
- Assembly
- Operation
- Maintenance
- Español
- Repair Parts



CAUTION:

Read and follow all
Safety Rules and Instructions
before operating this equipment

⌈
Sears, Roebuck and Co., Hoffman Estates, IL 60179

TABLE OF CONTENTS

Warranty	2	Product Specifications	11
Safety Rules	2	Service and Adjustments	13
Assembly	4	Storage	14
Operation	6	Troubleshooting	15
Maintenance Schedule	10	Repair Parts	35
Maintenance	10	Parts Ordering	Back Cover

WARRANTY

LIMITED TWO YEAR WARRANTY ON CRAFTSMAN POWER MOWER

For two years from date of purchase, when this Craftsman Lawn Mower is maintained, lubricated, and tuned up according to the operating and maintenance instructions in the owner's manual, Sears will repair free of charge any defect in material or workmanship. If this Craftsman Lawn Mower is used for commercial or rental purposes, this warranty applies for only 90 days from the date of purchase.

This Warranty does not cover:

- Expendable items which become worn during normal use, such as rotary mower blades, blade adapters, belts, air cleaners and spark plug.
- Repairs necessary because of operator abuse or negligence, including bent crankshafts and the failure to maintain the equipment according to the instructions contained in the owner's manual.

Warranty service is available by returning the craftsman power mower to the nearest sears service center/department in the united states. This warranty applies only while this product is in use in the united states.

This Warranty gives you specific legal rights, and you may also have other rights which vary from state to state.

SEARS, ROEBUCK AND CO., D/817 WA, HOFFMAN ESTATES, ILLINOIS 60179

SAFETY RULES

TRAINING:

- Read this operator's manual carefully. Become familiar with the controls and know how to operate your mower properly. Learn how to quickly stop mower.
- Do not allow children to use your mower. Never allow adults to use mower without proper instructions.
- Keep the area of operation clear of all persons, especially small children and pets.
- Use mower only as the manufacturer intended and as described in this manual.
- Do not operate mower if it has been dropped or damaged in any manner. Always have damage repaired before using your mower.
- Do not use accessory attachments that are not recommended by the manufac-

turer. Use of such attachments may be hazardous.

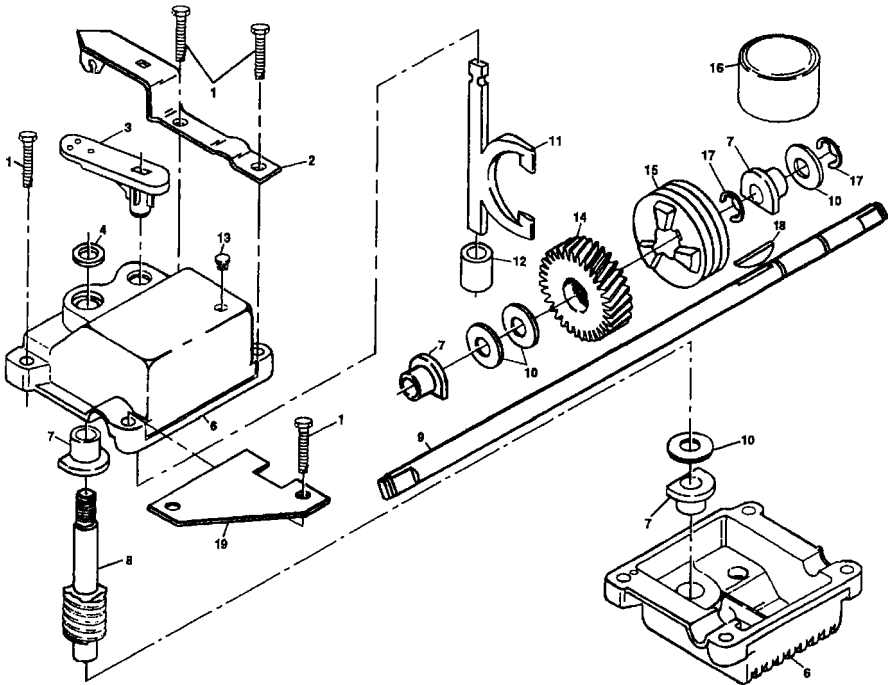
- The blade turns when the engine is running.

PREPARATION:

- Always thoroughly check the area to be mowed and clear it of all stones, sticks, wires, bones, and other foreign objects. These objects will be thrown by the blade and can cause severe injury.
- Always wear safety glasses or eye shields when starting and while using your mower.
- Dress properly. Do not operate mower when barefoot or wearing open sandals. Wear only solid shoes with good traction when mowing.
- Check fuel tank before starting engine. Do not fill gas tank indoors, when the engine is running or when the engine is

REPAIR PARTS

ROTARY LAWN MOWER - - MODEL NO. 917.379322 GEAR CASE ASSEMBLY PART NUMBER 702511

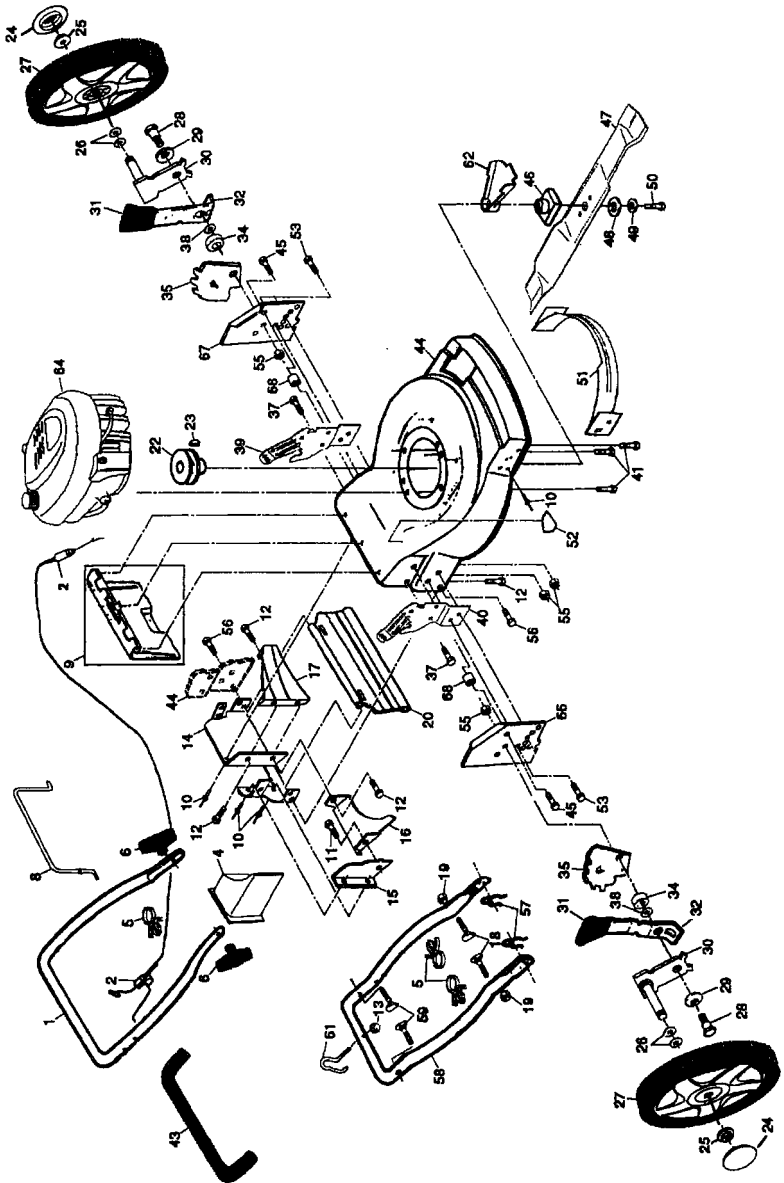


KEY NO.	PART NO.	DESCRIPTION	KEY NO.	PART NO.	DESCRIPTION
1	17490416	Tapping Screw 1/4-20 x 1-1/4	9	137074	Drive Shaft
2	137055X004	Engagement Bracket	10	57079	Hardened Washer
3	137053	Shifter	11	131484	Clutch Yoke
4	57072	Seal	12	700343	Bushing
6	48373	Gear Case Halves Kit (Includes Key Nos. 4, 5, and 7)	13	86447	Plug
7	77881	Bearing	14	137050	Helical Gear
8	137051	Worm Shaft	15	750436X	Clutch Jaw
			16	750369	Grease
			17	12000003	E-Ring
			18	850848	Hi-Pro Key
			19	81585X004	Spring Bracket

NOTE: All component dimensions given in U.S. inches. 1 inch = 25.4 mm

REPAIR PARTS

ROTARY LAWN MOWER -- MODEL NO. 917.379322



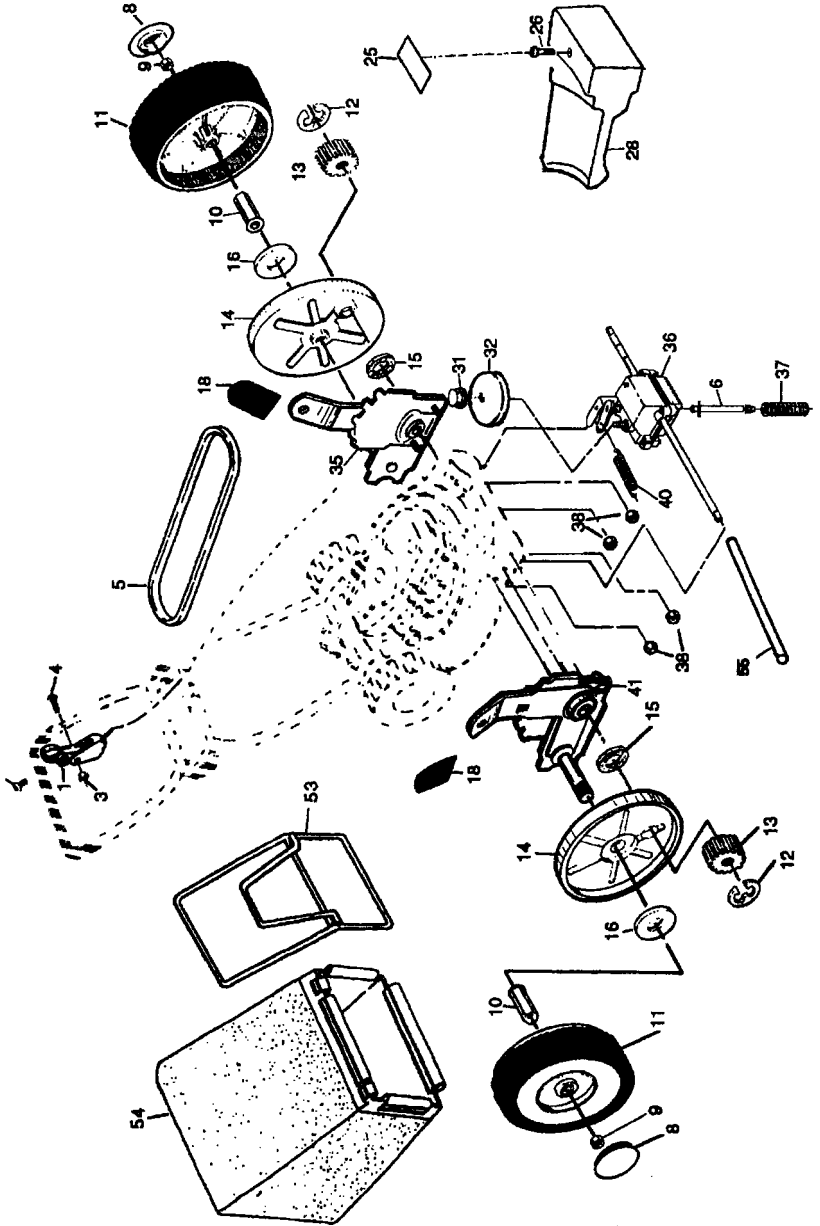
REPAIR PARTS

ROTARY LAWN MOWER - - MODEL NO. 917.379322

KEY NO.	PART NO	DESCRIPTION	KEY NO.	PART NO	DESCRIPTION
1	145640X479	Upper Handle	43	155890	Handle Grip
2	158921	Engine Zone Control Cable	44	158903	Lawn Mower Housing (Incl. Key #14, 15, 51 & 52)
4	150425	Mulcher Plug	45	149588	Self-Tapping Screw w/Sems 5/16-18 x 1-1/2
5	151517	Cable Clip	46	851514	Blade Adapter
6	136376	Handle Knob	47	157101	Blade 22"
8	145794	Control Bar	48	851074	Hardened Washer
9	147690	Rear Door Kit	49	850263	Helical Washer 3/8-24 x 1-3/8 Gr. 8
10	128415	Pop Rivet	50	851084	Hex Head Machine Screw 3/8-24 x 1-3/8 Gr. 8
11	150050	Self Tapping Screw #10-24 x 5/8	51	700869X479	Front Baffle
12	STD512505	Hex Tapping Screw w/Sems 1/4-20 x 1/2	52	85463	Danger Decal
13	63601	Keps Locknut	53	74760612	Hex Bolt 3/8-16 x 3/4
14	700463X479	Back Plate	55	751592	Locknut 3/8-16
15	700365X479	Side Baffle	56	89652	Hinge Screw 1/4-20 x 1-1/4
16	133190X479	Discharge Baffle	57	51793	Hairpin Cotter
17	140661X479	Rear Baffle	58	151723X479	Lower Handle
18	150502	Handle Bolt	59	131959	Handle Bolt
19	73900500	Nut	61	103672X	Rope Guide
20	140540	Rear Skirt	62	134612	Debris Shield
22	85543	Engine Pulley	64	-----	Engine (See Breakdown)
23	87677	Hi-Pro Key #505	66	700170X479	Craftsman 143.976610
24	151440	Hubcaps	67	700172X479	Bracket Support (Flight)
25	83923	Hex Flange Nut	68	86969	Bracket Support (Left)
26	57143	Wave Washer	--	160922	Spacer
27	151138	Wheel			Owner's Manual (English/Spanish)
28	142748	Shoulder Bolt 3/8-16 x 1			Available accessories not included with lawn mower:
29	61651	Spring Washer	--	Z1 33303	Clipping Deflector
30	750913X004	Axle Arm Assembly	--	Z1 33623	Gas Can (2.5 gal.)
31	701037	Selector Knob	--	Z1 33500	Fuel Stabilizer
32	700331X004	Selector Spring	--	Z1 33027	SAE 30W Oil (27 oz.)
33	149630	Spacer	--	Z1 33417	Dust Shield
34	750085X007	Wheel Adjusting Bracket	--	Z1 33316	Mower Cover
35	150078	Thread Cutting Screw w/Sems 5/16-18 x 3/4			
37	85348	Flat Washer 3/8			
38	153300X479	Handle Bracket Assembly (Left)			
39	153301X479	Handle Bracket Assembly (Right)			
40	153301X479	Hex Head Thread Rolling Screw 3/8-16 x 1-1/8			
41	150406				

REPAIR PARTS

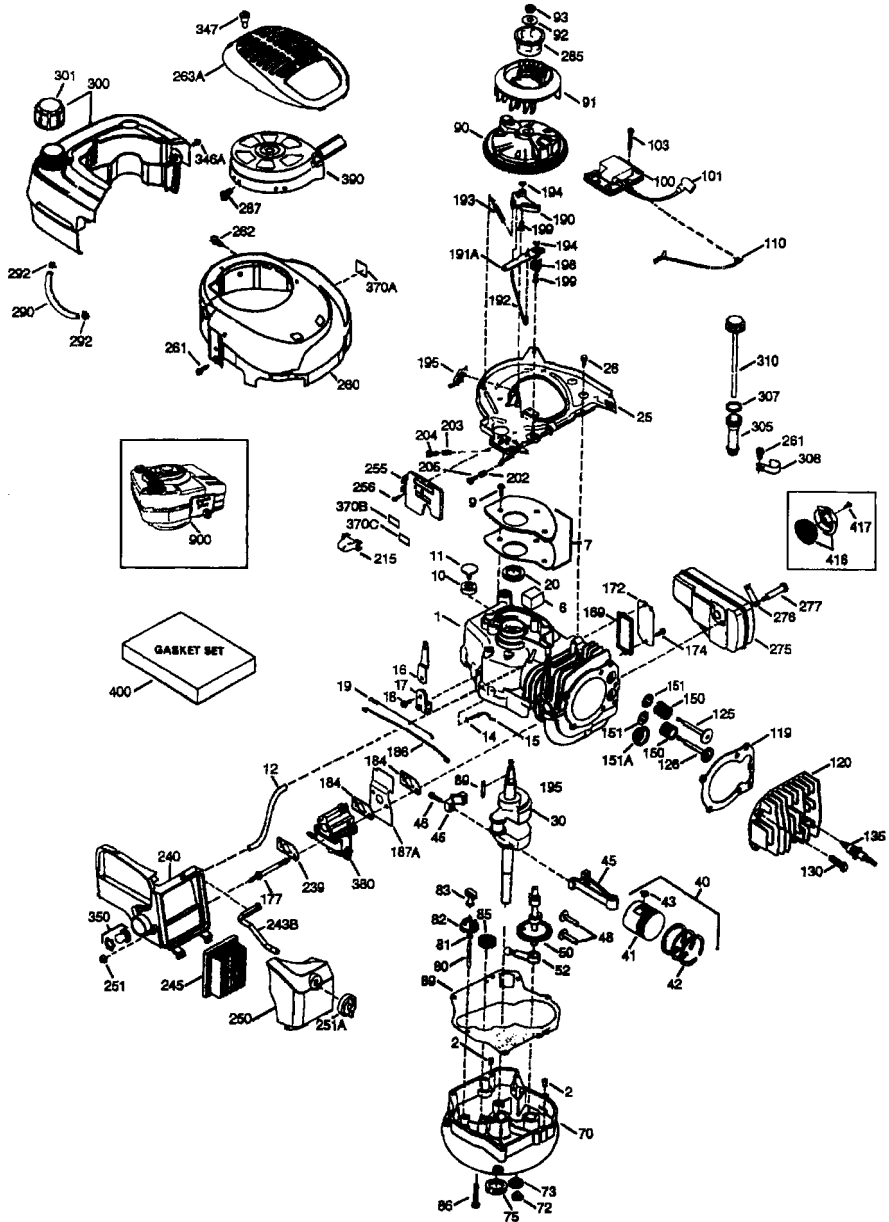
ROTARY LAWN MOWER -- MODEL NO. 917.379322



ROTARY LAWN MOWER -- MODEL NO. 917.379322

REPAIR PARTS

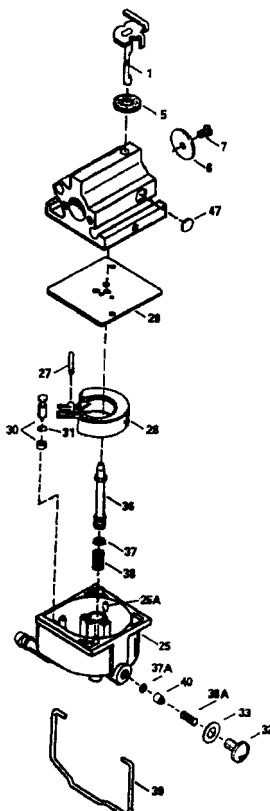
KEY NO.	PART NO.	DESCRIPTION	KEY NO.	PART NO.	DESCRIPTION
1	148312	Control Cable Assembly	25	152903	Drive Cover Decal
3	63601	Locknut #10-24	26	143603	Pan Head Tapping Screw #10-24 x 2-3/4
4	144929	Pan Head Machine Screw 1/4 x 2.12	28	154990	Drive Cover
5	146527	V-Belt	31	132010	Hex Flange Nut
6	150495	Spring Retainer	32	137052	Drive Pulley
8	150182	Hubcap	35	152018	Wheel Adjuster Assembly (Left)
9	145212	Flanged Nut	36	702511	Gear Case Assembly
10	88446	Nylon Bushing	37	137090	Spring
11	150340	Wheel & Tire Assembly	38	STD541425	Locknut 1/4-20
12	12000058	E-Ring	40	75192	Spring
13	137054	Pinion	41	152019	Wheel Adjuster Assembly (Right)
14	88080	Dust Cover	53	150224	Frame
15	88118	Felt Washer	54	150257	Grassbag Assembly
16	67725	Washer 1/2 x 1-1/2 x .134	55	86012	Driveshaft Cover
18	701037	Selector Knob			



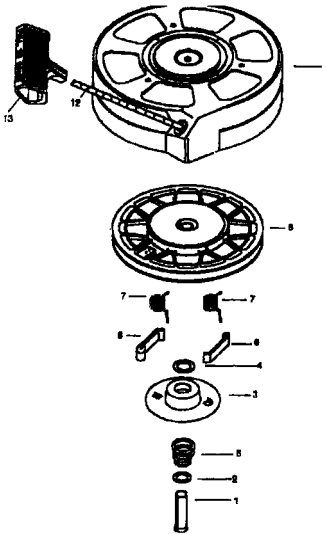
KEY NO.	PART NO.	DESCRIPTION	KEY NO.	PART NO.	DESCRIPTION
1	36177	Cylinder (Incl. 2,10,12,20 & 125)	190	36013	Brake Lever Ass'y.
2	27852	Dowel Pin	191A	36012	Brake Control Lever
6	36059	Breather Element	192	36016	Brake Control Lever Link
7	36005A	* Breather Cover & Gasket	193	36015	Brake Spring
9	590568	Screw, 10-24 x 3/4"	194	36014	Retaining Ring
10	36002	Breather Valve Body	195	610973	Terminal Ass'y.
11	36003	Check Valve	198	36017	Brake Control Lever Spring
12	32447	Breather Tube	199	36018	Brake Lever Bushing
14	28277	Flat Washer	202	36482	Compression Spring
15	36006	Governor Rod (Machined)	203	31342	Compression Spring
16	36008	Governor Lever	204	651029	Screw, 5-40 x 7/16"
17	31335	Governor Lever Clamp	205	651030	Screw, Torx T-10, 6-32 x 17/32"
18	651018	Screw, Torx T-15, 8-32 x 19/64"	215	36051	Control Knob
19	36103	Governor Spring	239	36048	* Carburetor To Air Cleaner Gasket
20	36010	Oil Seal	240	36190	Air Cleaner Body (Incl.239 & 350)
25	36186	Blower Housing Baffle Ass'y. (Incl.195)	243B	651041	Air Cleaner Stud
26	650802	Screw, 1/4-20 x 5/8"	245	36046	Air Cleaner Filter
30	36185	Crankshaft	250	36191	Air Cleaner Cover
40	40004	Piston,Pin,Ring Set (Std.)	251	650928	Lock Nut 1/4-20
40	40005	Piston,Pin,Ring Set (.010 OS)	251A	650933	Wing Nut, 1/4-20
41	36070	Piston & Pin Ass'y.(Std.) (Incl. 43)	255	36193	Control Plate
41	36071	Piston & Pin Ass'y. (.010 OS)(Incl.43)	256	650983	Screw, 8-32 x 21/64"
42	40006	Ring Set (Std.)	260	36188	Blower Housing
42	40007	Ring Set (.010 OS)	261	650737	Screw, 1/4-20 x 1/2"
43	20381	Piston Pin Retaining Ring	262	650929	Screw, 1/4-20 x 11/16"
45	36023A	Connecting Rod Ass'y. (Incl. 46)	263A	36192	Starter Grill
46	32610A	Connecting Rod Bolt	275	36107	Muffler
48	36030	Valve Lifter	276	36043	Locking Plate
50	36031A	Camshaft (MCR)	277	650927	Screw, 5/6-18 x 2-11/32"
52	29914	Oil Pump Ass'y.	285	34449A	Starter Cup
69	36032A	* Mounting Flange Gasket	287	650926	Screw, 8-32 x 21/64"
70	36194	Mounting Flange (Incl. 72 thru 85)	290	29774	Fuel Line
72	30572	Oil Drain Plug (Incl. 73)	292	26460	Fuel Line Clamp
73	28833	Drain Plug Gasket	300	36189	Fuel Tank (Incl. 301)
75	36010	Oil Seal	301	36246	Fuel Cap
80	30574A	Governor Shaft	305	36063	Oil Fill Tube
81	30590A	Washer	307	35499	"O" Ring
82	30591	Governor Gear Ass'y. (Incl.81)	308	36040	Fill Tube Clip
83	36057	Governor Spool	310	36064	Dipstick
85	36034	Idler Gear	346A	28763	Screw, 10-32 x 35/64"
86	650924	Screw, 1/4-20 x 1-9/16"	347	650898A	Screw, 10-32 x 27/32"
89	611154	Flywheel Key	350	36045	Primer
90	611155	Flywheel	370A	36261	Lubrication Decal
91	611156	Flywheel Fan	370B	36155	Control Decal
92	650815	Belleville Washer	370C	36861	Primer Decal
93	650816	Flywheel Nut	380	640020	Carburetor (Incl. 184,239)
100	34443A	Solid State Ignition	390	590702	Rewind Starter
101	610118	Spark Plug Cover	400	36062C	Gasket Set (Incl. Items Marked *)
103	651007	Screw, Torx T-15, 10-24 x 15/16"	416	36085	Spark Arrestor Kit (Incl. 417)(Optional)
110	36054	Ground Wire	417	650760	Screw, 8-32 x 3/8" (Optional)
119	36061	* Cylinder Head Gasket	900	—	Replacement Engine 750792B, order from 71-999
120	36187	Cylinder Head	900	—	Replacement S/B 750797, order from 71-999
125	36471	Exhaust Valve (Std.) (Incl. 151)	—	—	RPM High 2900 to 3200
125	36472	Exhaust Valve (1/32" OS)	—	—	RPM Low 2450 to 2750
126	29314B	Intake Valve (Std.) (Incl. 151)			
126	29315C	Intake Valve (1/32" OS)			
130	6021A	Screw, 5/16-18 x 1-1/2"			
135	35395	Resistor Spark Plug (RJ19LM)			
150	31672	Valve Spring			
151	31673	Lower Valve Spring Cap			
151A	40016	Intake Valve Seal			
169	27234A	* Valve Spring Box Gasket			
172	32755	Valve Spring Box Cover			
174	30200	Screw, 10-24 x 9/16"			
177	650925A	Carburetor Mounting Stud			
184	36183	Carburetor Gasket			
186	36009	Governor Link			
187A	36195	Air Baffle			

(NOTE: This engine could have been built with 590739 starter. Refer to the design of the rope pulley strength ribs for part identification. Individual starter parts do not interchange.)

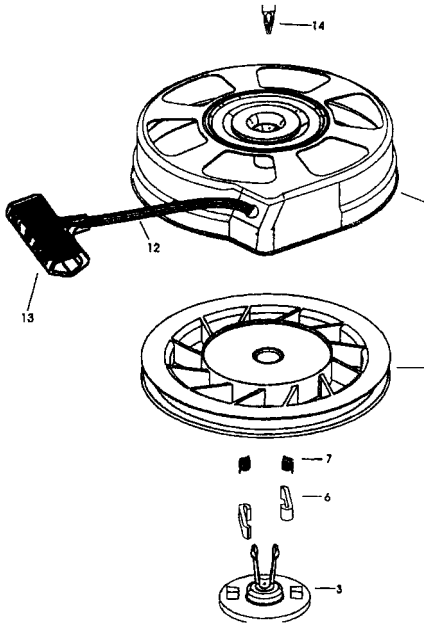
NOTE: All component dimensions given in U.S. inches
1 inch = 25.4 mm



KEY NO.	PART NO.	DESCRIPTION
—	640020	Carburetor (Incl. 187B & 239 of Engine Parts List)
1	632539	Throttle Shaft & Lever Assembly
5	632593	Dust Seal
6	632541	Throttle Shutter
7	650506	Throttle Shutter Screw
25	632675A	Float Bowl
25A	632701	Idle Restrictor
27	632544	Float Shaft
28	632543	Float
29	632548	Float Bowl to Body Gasket
30	632709	Inlet Needle & Seat
32	632672	Bowl Drain Screw
33	632673	Bowl Drain Washer
36	640022	Main Nozzle Tube
37	632547	"O" Ring
37A	632547	"O" Ring, Main Nozzle Tube
38	632545	Spring, Main Nozzle Tube
38A	632545	Spring
39	632549	Float Bowl Retainer
40	640021	Main Fuel Jet
47	632554	Welch Plug, Idle Mixing Well



KEY NO.	PART NO.	DESCRIPTION
—	590702	Recoil Starter
1	590599A	Spring Pin (incl. 4)
2	590600	Washer
3	590696	Retainer
4	590601	Washer
5	590697	Brake Spring
6	590698	Starter Dog
7	590699	Dog Spring
8	590700	Pulley & Rewind Spring Ass'y.
11	590703	Starter Housing Ass'y. (40 degree grommet)
12	590535	Starter Rope (98" X 9/64" dia.)
13	590701	Starter Handle



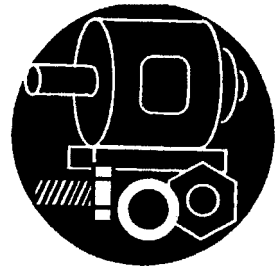
KEY NO.	PART NO.	DESCRIPTION
—	590739	Rewind Starter
3	590740	Retainer
6	590616	Starter Dog
7	590617	Dog Spring
8	590618A	Pulley & Rewind Spring Ass'y
11	590638	Starter Housing Ass'y (40 degree grommet)
12	590535	Starter Rope (Length 98" x 9/64" dia.)
13	590701	Starter Handle
14	590741	Locking Tab

For the repair or replacement parts you need
delivered directly to your home
Call 7 am - 7 pm, 7 days a week

1-800-366-PART

(1-800-366-7278)

Para ordenar piezas con entrega a
domicilio – 1-800-659-7084



For in-house major brand repair service
Call 24 hours a day, 7 days a week

1-800-4-REPAIR

(1-800-473-7274)

Para pedir servicio de reparación a
domicilio – 1-800-676-5811



For the location of a Sears Parts and
Repair Center in your area
Call 24 hours a day, 7 days a week

1-800-488-1222



For information on purchasing a Sears
Maintenance Agreement or to inquire
about an existing Agreement
Call 9 am – 5 pm, Monday–Saturday

1-800-827-6655



When requesting service or ordering
parts, always provide the following
information:

- Product Type • Part Number
- Model Number • Part Description

SEARS
REPAIR SERVICES

America's Repair Specialists