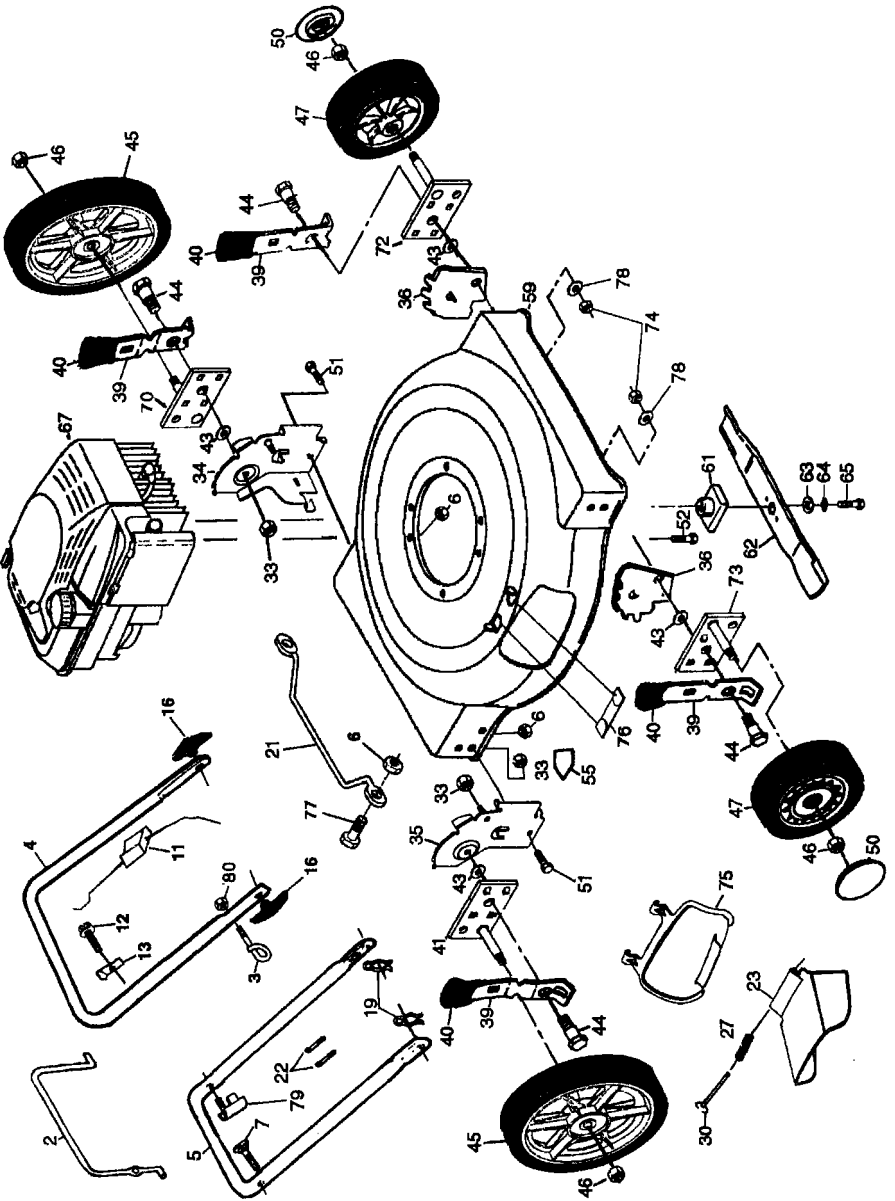


REPAIR PARTS MANUAL
MODEL NO. 381050
Rotary Lawn Mower

01/11/02



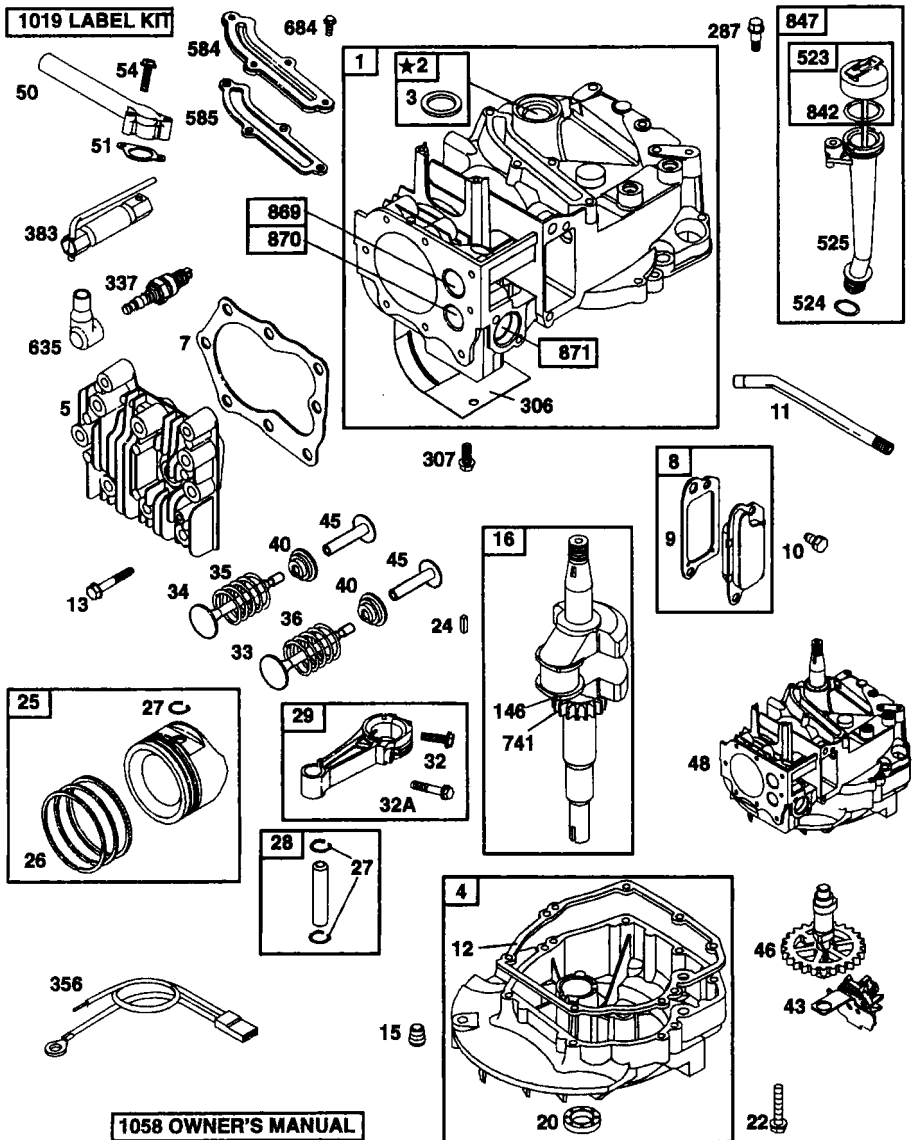
CRAFTSMAN ROTARY LAWN MOWER -- MODEL NUMBER 917.381050

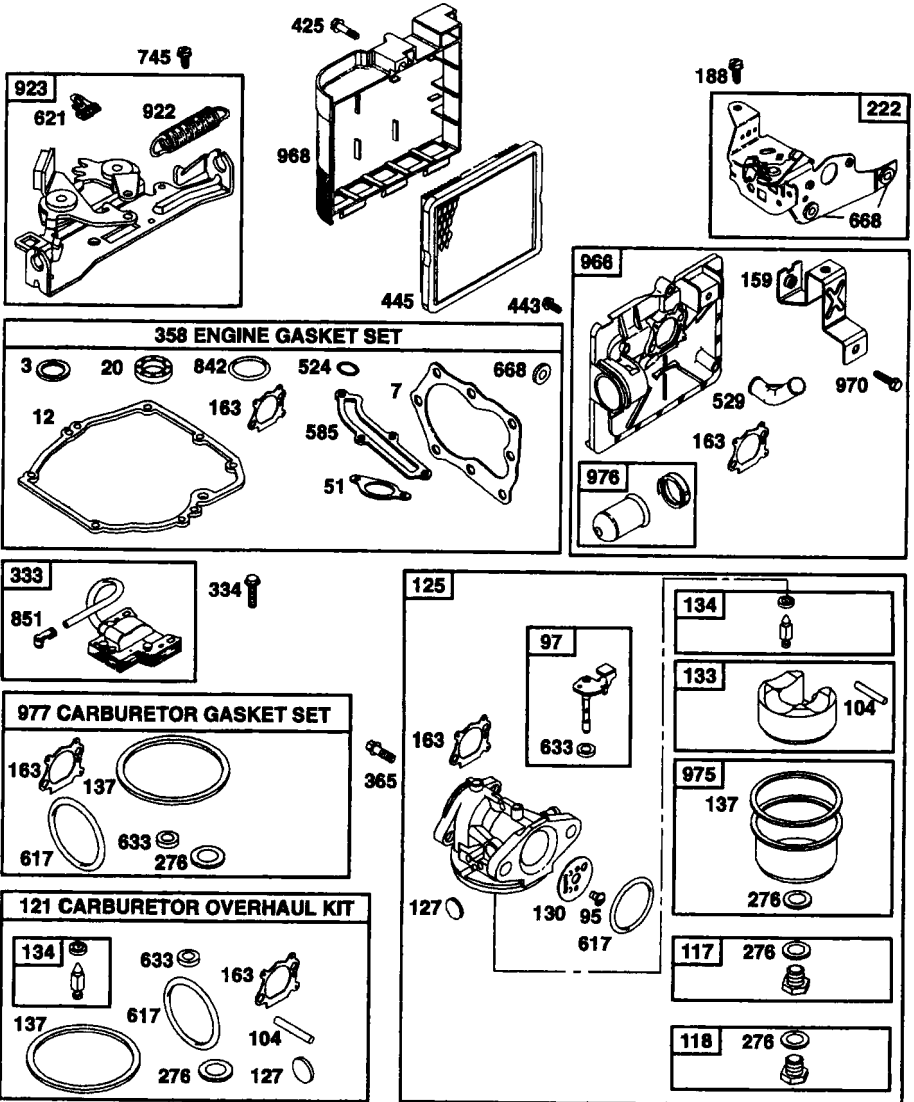


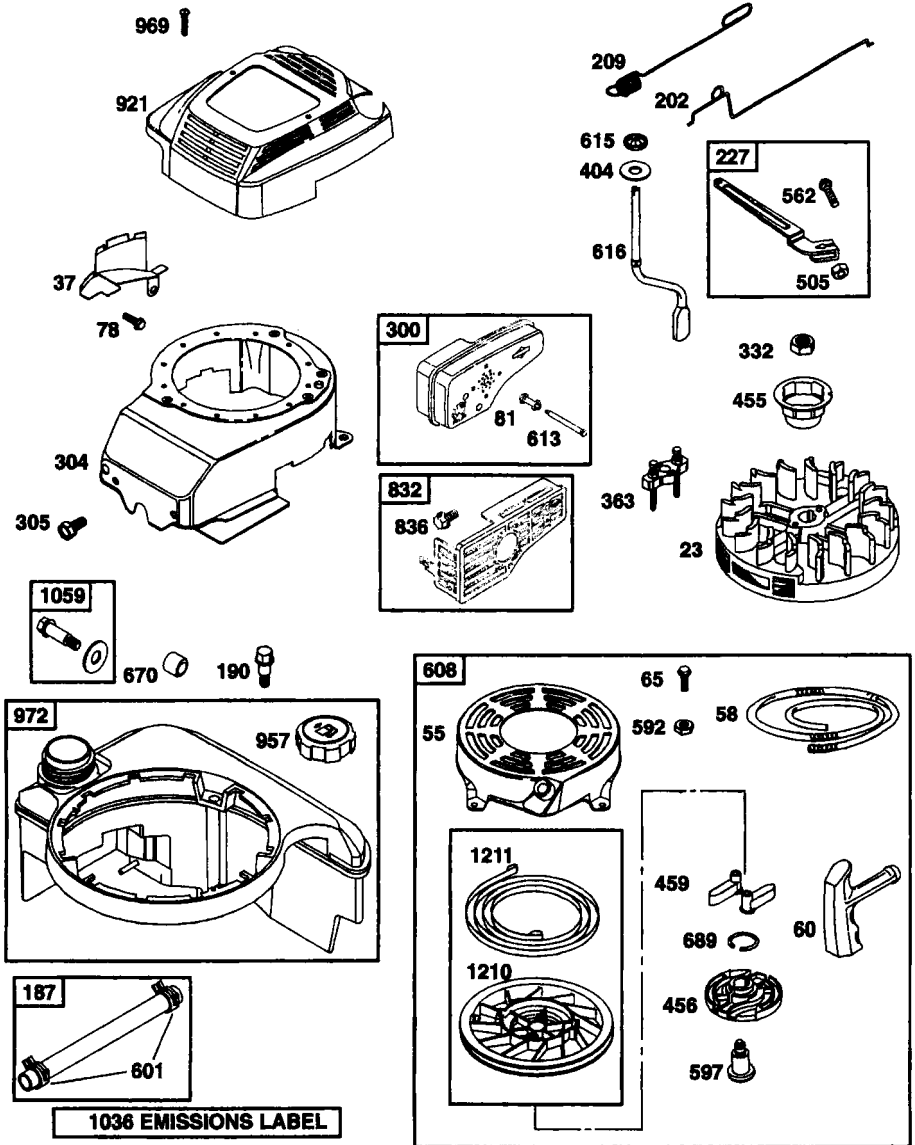
CRAFTSMAN ROTARY LAWN MOWER -- MODEL NUMBER 917.381050

KEY PART NO.	DESCRIPTION	KEY PART NO.	PART NO.	DESCRIPTION
2	181201 Control Bar	50	180635 Hubcap	
3	179585 Rope Guide	51	74760514 Hex Head Bolt 5/16-18 x 3/4	
4	169709X479 Upper Handle	52	150406 Hex Head Thread Rolling Screw 3/8-16 x 1	
5	169708X479 Lower Handle	55	182166 Danger Decal	
6	69180 Locknut 1/4-20	59	168996 Lawn Mower Housing (Incl. Key No. 55)	
7	131959 Handle Bolt 5/16-18	61	851514 Blade Adapter	
11	176556 Engine Zone Control Cable	62	141114 22" Blade	
12	750834 Hex Thread Rolling Screw #10-24 x1/2	63	851074 Hardened Washer	
13	68899X004 Up-Stop Bracket	64	850263 Helical Lockwasher 3/8	
16	181202 Handle Knob	65	851084 Hex Head Screw 3/8-24 x 1/4 Grd. 8	
19	51793 Hairpin Cotter	67	---	
21	154147 Footguard			
22	66426 Wire Tie			
23	160831 Discharge Guard	70	180409X004 Axle Arm Assembly (LF)	
27	160832 Torsion Spring	72	167132X004 Axle Arm Assembly (LF)	
30	160833 Hinge Rod	73	167133X004 Axle Arm Assembly (RF)	
33	63124 Locknut 5/16-18	74	751153 Nut	
34	170373X479 Wheel Bracket Support (Left)	75	160830 Plate, Mulcher	
35	170374X479 Wheel Bracket Support (Right)	76	161622 Clip, Closeout	
36	160835X007 Wheel Bracket Adjuster	77	85925 Hex Head Screw 1/4	
39	168360X004 Selector Spring	78	61537 Washer	
40	181197 Selector Knob	79	165108 Bracket, Anti-Fold	
41	180410X004 Axle Arm Assm. (RR)	80	132004 Nut, Hex	
43	19112206 Washer			
44	160828 Shoulder Bolt	--	182191 Warning Decal (Not Shown)	
45	181381 Wheel Assembly (Rear)	--	182630 Operator's Manual (European)	
46	83923 Locknut 1/16-18	--	182631 Operator's Manual (Scandinavian)	
47	150339 Wheel Assm (Front)	--	182632 Repair Parts Manual (English)	

NOTE: All component dimensions given in U.S. inches.
1 inch = 25.4 mm







KEY NO.	PART NO.	DESCRIPTION
1	697322	Cylinder Assembly
2	399269	Kit-Bushing/Seal
3	299819	• Seal-Oil (Magneto Side)
4	493279	Sump-Engine
5	691160	Head-Cylinder
7	692249	• Gasket-Cylinder Head
8	695250	Breather Assembly
9	696125	Gasket-Breather
10	691125	Screw (Breather Assembly)
11	691781	Tube-Breather
12	692232	• Gasket-Crankcase

KEY NO.	PART NO.	DESCRIPTION
13	690912	Screw (Cylinder Head)
15	691680	Plug-Oil Drain
16	691451	Crankshaft
20	399781	• Seal-Oil (PTO Side)
22	691092	Screw (Engine Sump)
23	692315	Flywheel
24	222698	Key-Flywheel
25	499429	Piston Assembly (Standard)
	499430	Piston Assembly (.010" Oversize)
	499431	Piston Assembly (.020" Oversize)
	499432	Piston Assembly (.030" Oversize)

LIMITED TWO YEAR WARRANTY ON CRAFTSMAN POWER MOWER

For two years from date of purchase, when this Craftsman Lawn Mower is maintained, lubricated, and tuned up according to the operating and maintenance instructions in the owner's manual, Sears will repair free of charge any defect in material or workmanship.

If this Craftsman Lawn Mower is used for commercial or rental purposes, this warranty applies for only 90 days from the date of purchase.

This Warranty does not cover:

- Expendable items which become worn during normal use, such as rotary mower blades, blade adapters, belts, air cleaners and spark plug.
- Repairs necessary because of operator abuse or negligence, including bent crankshafts and the failure to maintain the equipment according to the instructions contained in the owner's manual.

Warranty service is available by returning the Craftsman power mower to the nearest Sears Service Center/Department in the United States. This warranty applies only while this product is used in the United States.

This Warranty gives you specific legal rights, and you may also have other rights which vary from state to state.

Sears, Roebuck and Co., D/817 WA, Hoffman Estates, Illinois 60179

CRAFTSMAN®