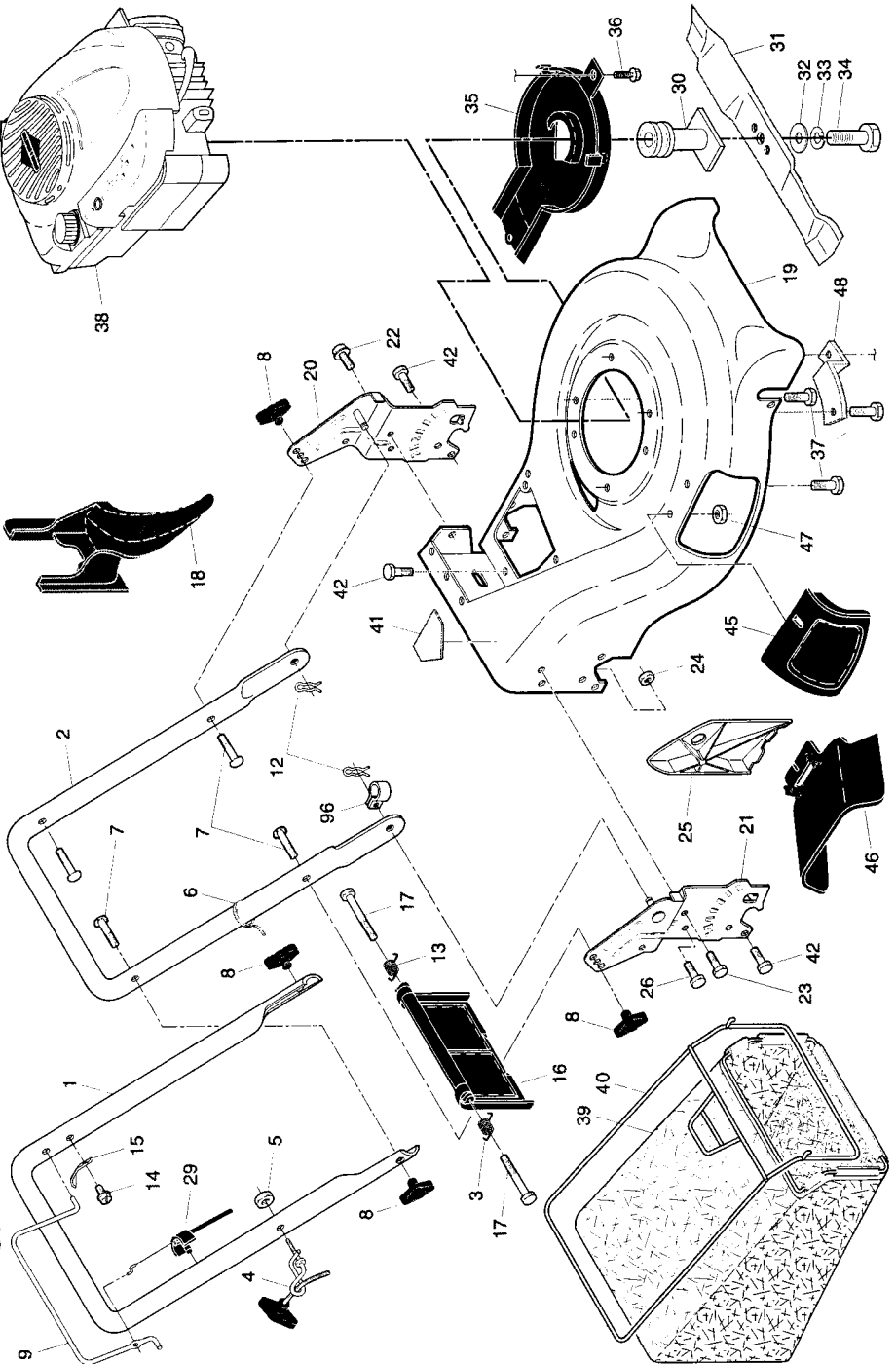


REPAIR PARTS MANUAL
MODEL NUMBER 38971
Rotary Lawn Mower

CRAFTSMAN®

CRAFTSMAN ROTARY LAWN MOWER - - MODEL NUMBER 38971 (389710)

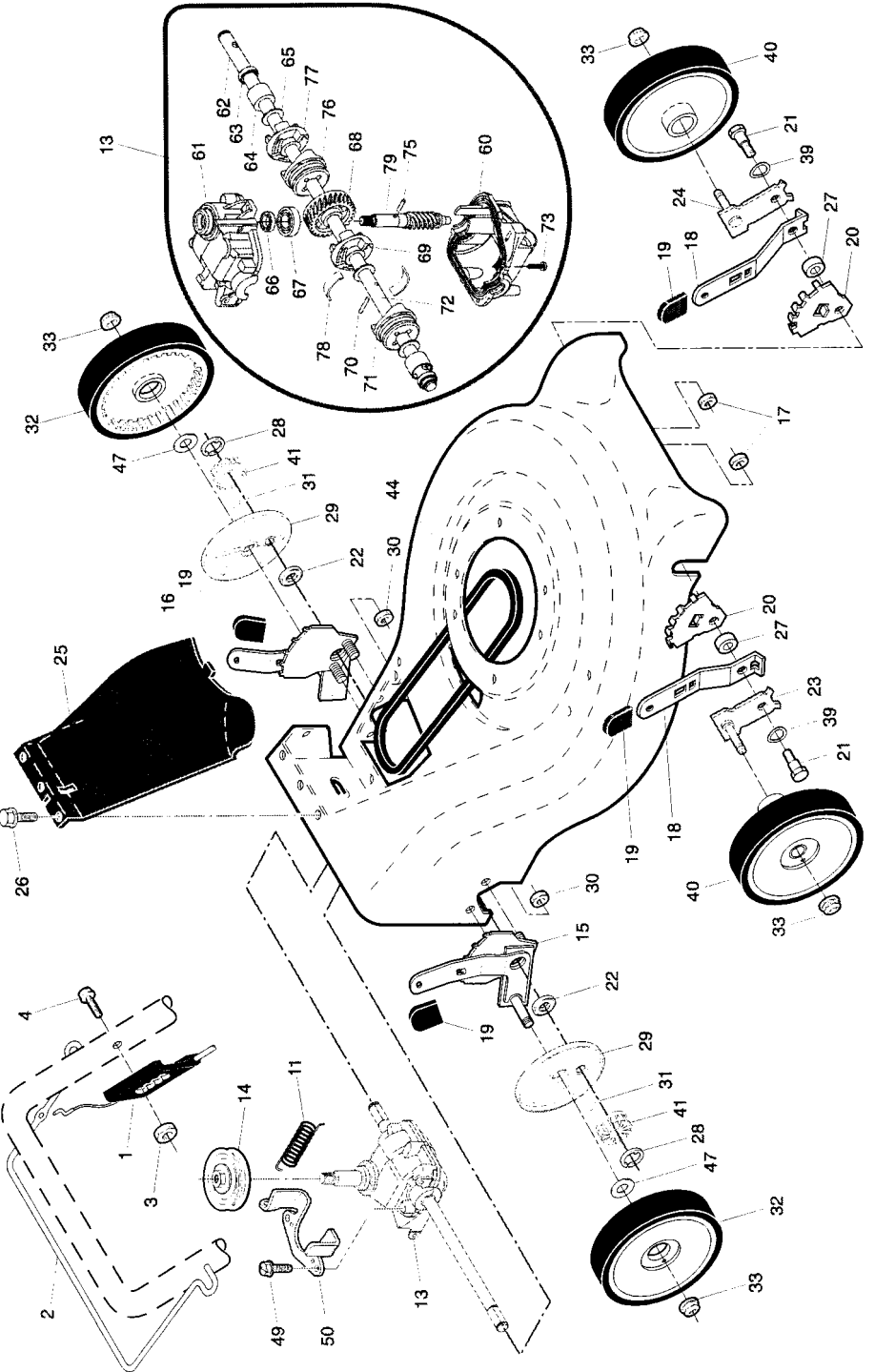


CRAFTSMAN ROTARY LAWN MOWER - - MODEL NUMBER 38971 (389710)

KEY NO.	PART NO.	DESCRIPTION	KEY NO.	PART NO.	DESCRIPTION
1	194203X479	Handle, Upper	32	851074	Washer
2	193664X479	Handle, Lower	33	850263	Washer, Lock
3	405416	Spring, Rear Door, RH	34	851084	Bolt, Hex Head
4	194788	Rope Guide	35	405843	Debris Shield
5	132004	Nut, Hex, with Lockwasher Insert 1/4-20	36	192325	Bolt
6	66426	Wire, Tie	37	150406	Bolt, Engine
7	191574	Bolt, Handle 5/16-18 x 2-5/8	38	---	Engine, Briggs & Stratton, Model Number 122T02 (order parts from engine manufacturer)
8	189713X428	Knob, Handle	39	410281	Grassbag
9	194199X428	Control Bar	40	407453	Frame, Grassbag
12	51793	Cotter, Hairpin	41	182166	Danger Decal
13	405415	Spring, Rear Door, LH	42	54583	Screw
14	750634	Screw	45	183058X428	Mulcher Door Assembly
15	850733X004	Bracket, Upstop	46	169699X428	Discharge Guard
16	401815X428	Rear Door Assembly	47	88349	Nut, Hex
17	184193	Bolt, Rear Door	48	188839X004	Mounting Bracket, Debris Shield
18	198170	Plug, Mulcher	96	197991	Clip, Cable
19	410132	Kit, Housing	--	404764	Warning Decal (not shown)
20	192980X479	Handle Bracket Assembly, LH	--	413262	Operator's Manual, European
21	192979X479	Handle Bracket Assembly, RH	--	413263	Operator's Manual, Scandinavian
22	150078	Screw, Hex Washer Head	--	413264	Repair Parts Manual, English
23	163183	Bolt, Hex Head 5/16-18 x 5/8	Available accessories not included with lawn mower:		
24	73800500	Nut, Hex, with Lockwasher Insert 5/16-18	--	71 33623	Gas Can (2.5 Gallon Container)
25	161333	Baffle, Side	--	71 33500	Fuel Stabilizer
26	163409	Screw #12 x 5/8	--	71 33000	SAE 30W Oil (20 Ounce Bottle)
29	191221	Cable, Operator Presence			
30	189179	Blade Adapter / Pulley			
31	199377	Blade, 21"			

NOTE: All component dimensions given in U.S. inches. 1 inch = 25.4 mm. **IMPORTANT:** Use only Original Equipment Manufacturer (O.E.M.) replacement parts. Failure to do so could be hazardous, damage your lawn mower and void your warranty.

CRAFTSMAN ROTARY LAWN MOWER -- MODEL NUMBER 38971 (389710)



CRAFTSMAN ROTARY LAWN MOWER - - MODEL NUMBER 38971 (389710)

KEY NO.	PART NO.	DESCRIPTION	KEY NO.	PART NO.	DESCRIPTION
1	404846	Drive Control Assembly (Includes Cable)	33	409148	Nut, Flangelock 3/8-16
2	194185X428	Bar, Drive Control	39	401630	Washer, Curved, Cylindrical
3	191730	Nut, Hex	40	193909X427	Wheel & Tire Assembly, Front 8 x 1-3/4
4	199687	Screw, Hex Washer Head	41	404835	Pinion
11	406558	Spring, Return	44	406580	V-Belt
13	404844	Gear Case Assembly, Complete	47	67725	Washer
14	193443	Pulley, Drive	49	163409	Screw, Hi-Lo Thread
15	409073	Kit, Wheel Adjuster Assembly, RH (Includes Knob and Bearing)	50	404832X004	Belt Keeper
16	409074	Kit, Wheel Adjuster Assembly, LH (Includes Knob and Bearing)	60	412747	Case, Lower
17	166785	Nut, Hex	61	412736	Case, Upper
18	401621X004	Spring, Selector	62	412745	Shaft, Output, Long
19	701037	Knob, Selector Spring	63	183508	Seal, Output Shaft
20	407494X005	Bracket, Wheel Adjusting	64	183511	Bushing
21	401638	Bolt, Shoulder, Hex Head	65	183509	Washer
22	191039	Bearing, Ball	66	183514	Seal, Worm Shaft
23	401175X004	Axle Arm Assembly, RH	67	183506	Bearing, Ball
24	401174X004	Axle Arm Assembly, LH	68	412742	Gear, 28 Teeth
25	199775X428	Cover, Drive	69	412739	Fixed Dog Clutch, LH
26	750634	Screw, Threaded, Rolled #10-25 x .50	70	412741	Pin, Output Shaft
27	401629	Spacer	71	412740	Movable Dog Clutch, LH
28	12000058	E-Ring 7/16	72	412738	Shaft, Output, Short
29	189403	Cover, Dust, Wheel	73	183513	Screw, Case
30	73800400	Nut, Hex	75	412746	Pin, Worm Shaft
31	404845	Pawl, Drive	76	412744	Fixed Dog Clutch, RH
32	405744X427	Wheel & Tire Assembly, Rear 8 x 1-3/4	77	412743	Movable Dog Clutch, RH
			78	410731	Spring, Leaf
			79	412737	Shaft, Worm

NOTE: All component dimensions given in U.S. inches. 1 inch = 25.4 mm. **IMPORTANT:** Use only Original Equipment Manufacturer (O.E.M.) replacement parts. Failure to do so could be hazardous, damage your lawn mower and void your warranty.

SERVICE NOTES

SERVICE NOTES

2-YEAR FULL WARRANTY ON CRAFTSMAN LAWN MOWER

If this Craftsman Lawn Mower fails due to manufacturer defects in material or workmanship within two years from the date of purchase, return it to any Sears store, Parts & Repair Center or other Craftsman outlet for free repair (or replacement if repair proves impossible).

This warranty applies for only 90 days from the date of purchase if this Lawn Mower is ever used for commercial or rental purposes.

This warranty does not cover:

- Expendable items that become worn during normal use, such as rotary mower blades, blade adapters, belts, air cleaners and spark plug.
- Repairs necessary because of operator abuse or negligence, including bent crackshafts and the failure to assemble, operate or maintain this Lawn Mower according to all supplied product instructions.

This warranty applies only while this product is used in the United States.

This warranty gives you specific legal rights, and you may also have other rights which vary from state to state.

Sears, Roebuck and Co., Hoffman Estates, IL 60179

CRAFTSMAN®