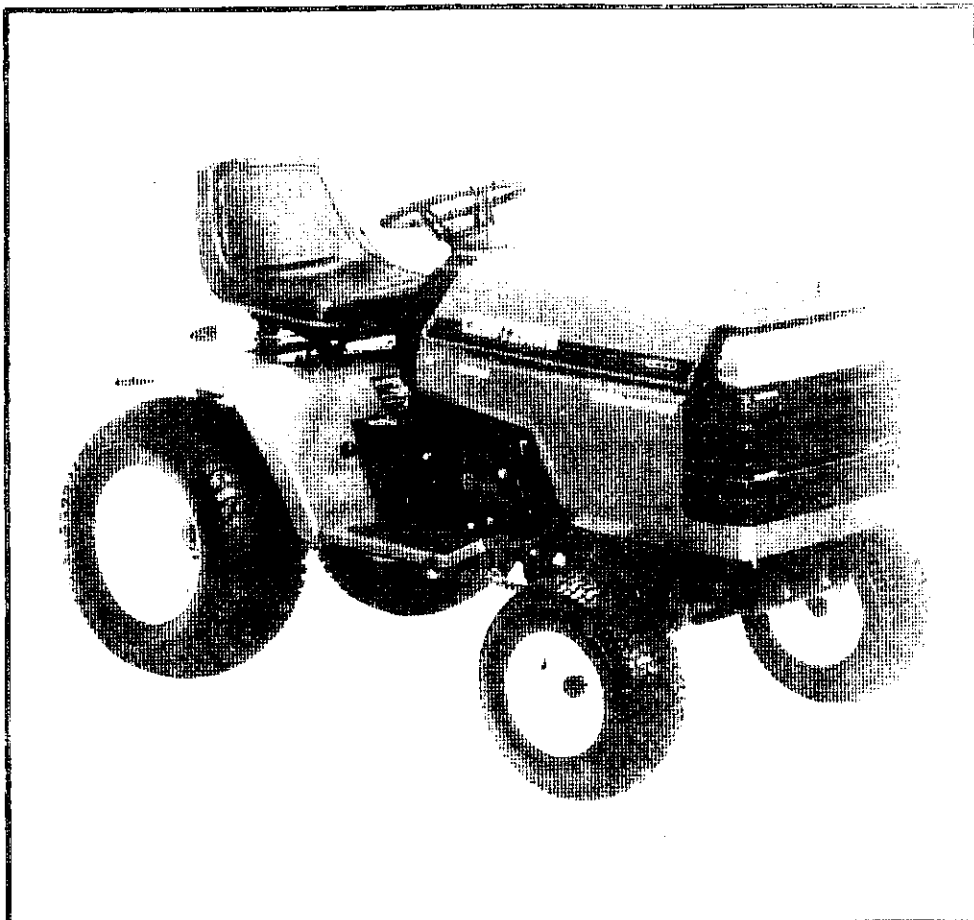


SEARS
OWNER'S
MANUAL

MODEL NO.
917.250050

Caution:
Read and follow
all Safety Rules
and Instructions
Before Operating
This Equipment



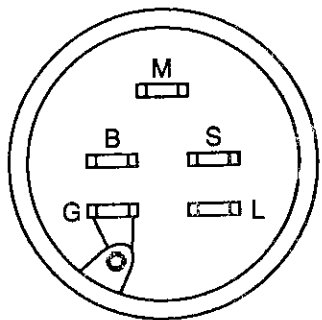
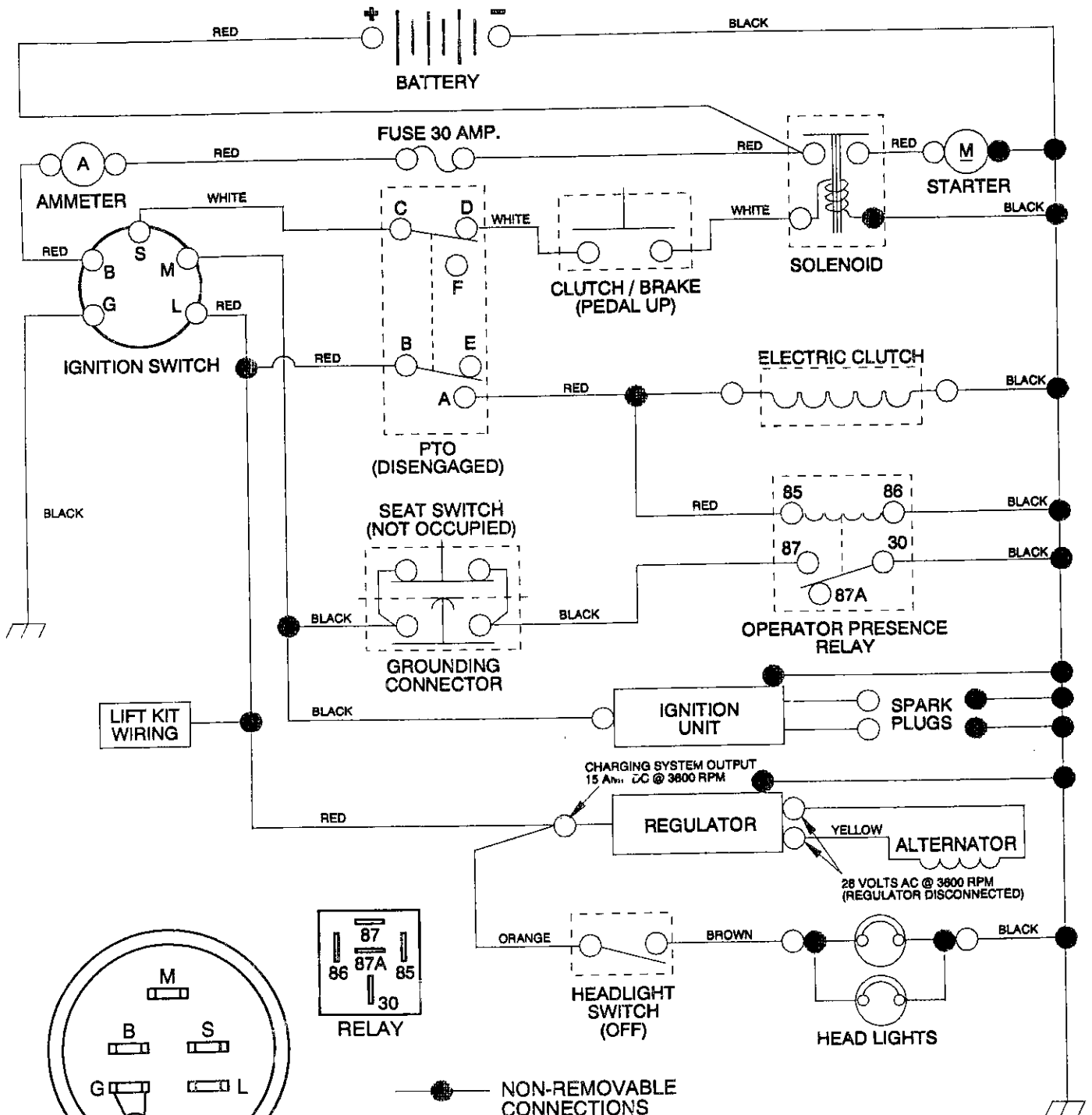
CRAFTSMAN[®]

**20 HP IC
ELECTRIC START
6 SPEED TRANSAXLE
GARDEN TRACTOR**

- Assembly
- Operation
- Customer Responsibilities
- Service and Adjustments
- Repair Parts

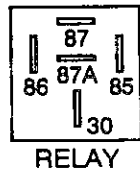
20 HP TRACTOR - - MODEL NUMBER 917.250050

SCHEMATIC



IGNITION SWITCH

POSITION	CIRCUIT
OFF	M + G
ON	B + L
START	B + S

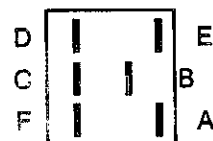


RELAY

- NON-REMOVABLE CONNECTIONS
- REMOVABLE CONNECTIONS

WIRING INSULATED CLIPS
 NOTE: IF WIRING INSULATED CLIPS WERE REMOVED FOR SERVICING OF UNIT, THEY SHOULD BE REPLACED TO PROPERLY SECURE YOUR WIRING

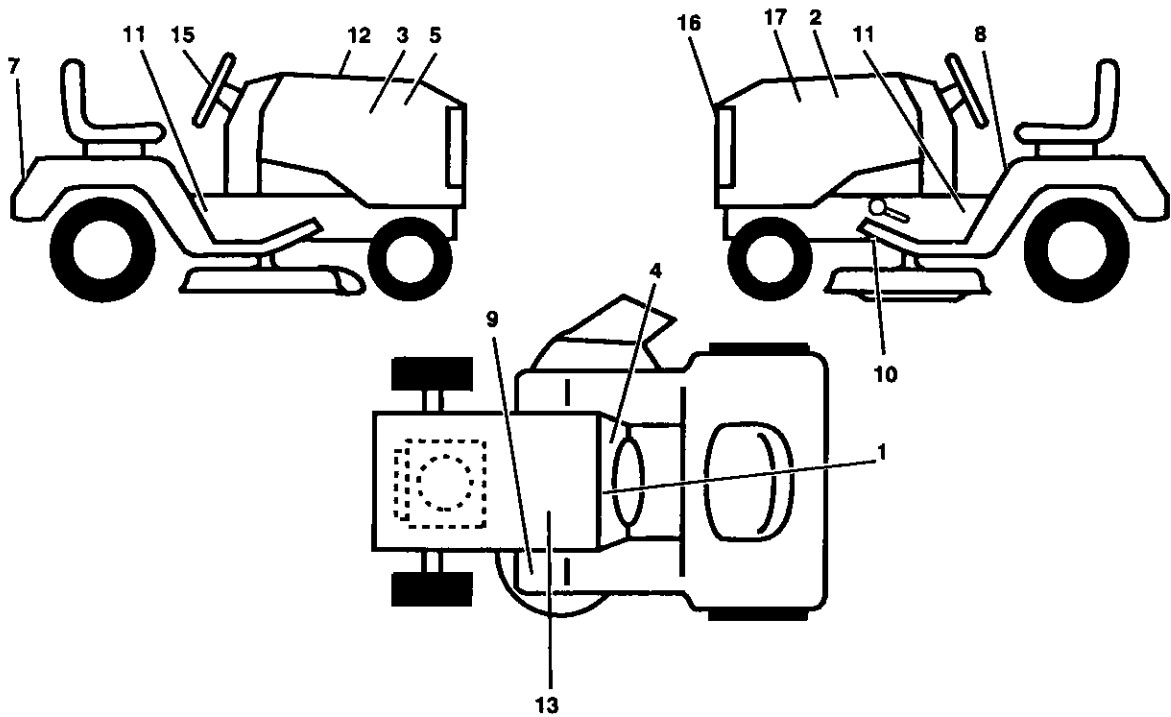
PTO SWITCH	
POSITION	CIRCUIT
OFF	B + E, C + D
ON	B + A, C + F



REPAIR PARTS

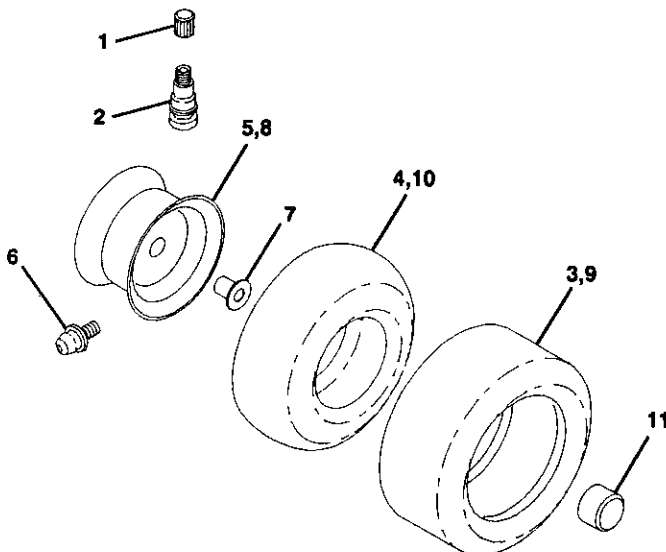
20 HP TRACTOR - - MODEL NUMBER 917.250050

DECALS



KEY PART NO.	NO.	DESCRIPTION	KEY PART NO.	NO.	DESCRIPTION
1	136794	Decal, Dash, Operating Instructions	9	4900J	Decal, Clutch/Brake
2	128491	Decal, Hood, Stripe, L.H.	10	131283	Decal, V-Belt, Drive
3	138292	Decal, Hood, Stripe, R.H.	11	130860	Decal, Chassis, Speed/Deck Size
4	138834	Decal, YT/GT Dash	12	133644	Decal, Maint. Cust. Sears
5	133354	Decal, Side Panel, R.H.	13	138047	Decal, Battery
7	128314	Decal, Fender	15	132265	Decal, Steering Wheel Insert
8	137537	Decal, Caution	16	132270	Decal, Grill, Stripe
			17	138048	Decal, Side Panel, L.H.
			--	137743	Manual, Owner's

WHEELS & TIRES



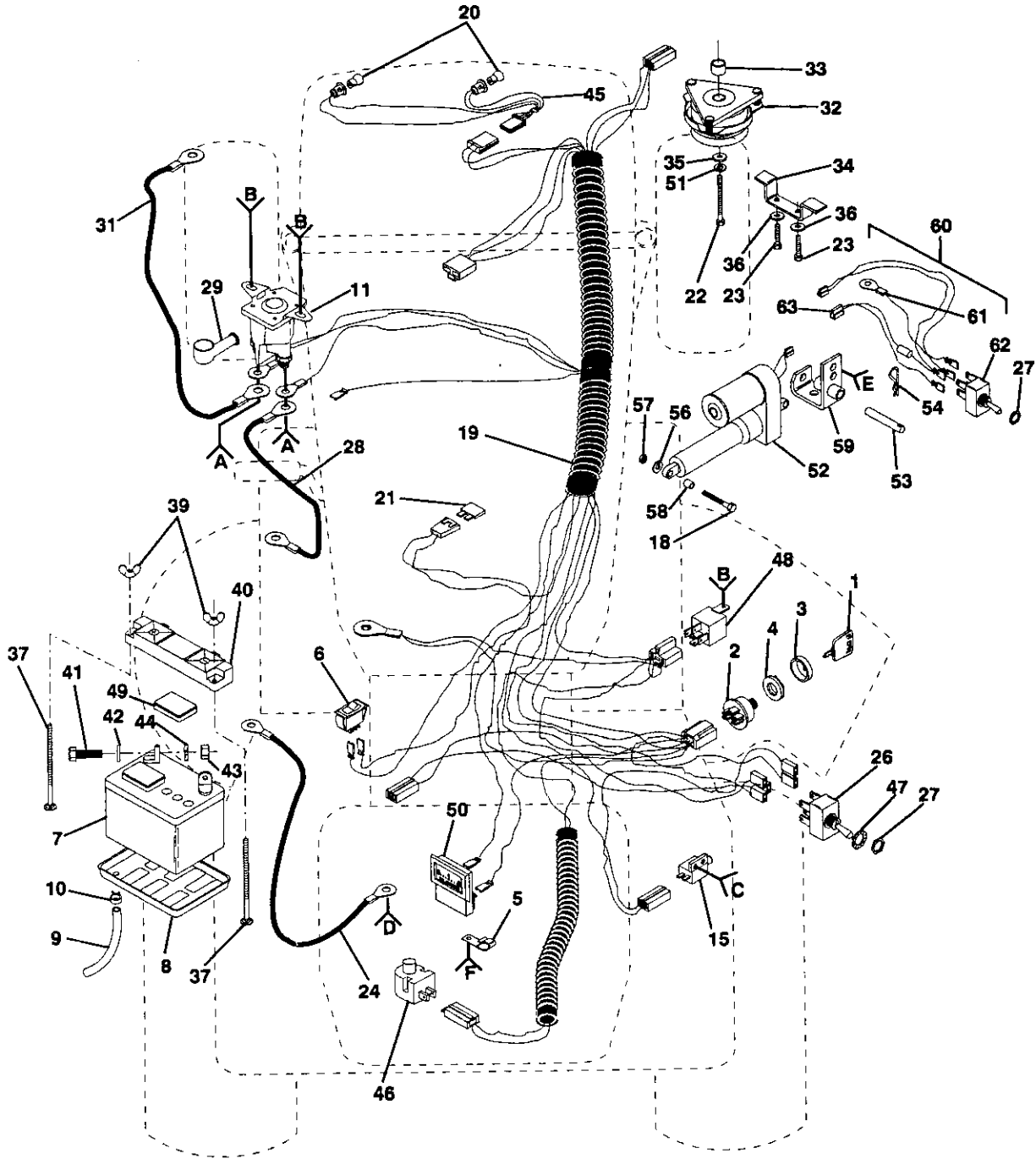
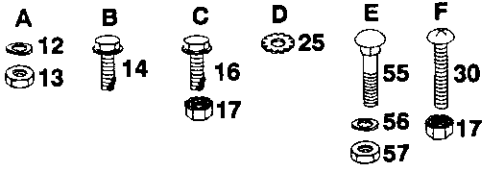
KEY PART NO.	NO.	DESCRIPTION
1	59192	Cap, Valve
2	65139	Stem, Valve
3	105588X	Tire, Rear
4	7154J	Tube, Rear Tire (Optional, Service Item Only)
5	3635R	Rim Assembly, Rear
6	278H	Fitting, Grease (Front Only)
7	9040H	Bearing, Flange (Front Only)
8	122974X	Rim Assembly, Front
9	106230X	Tire, Front
10	8134H	Tube, Front Tire (Optional, Service Item Only)
11	104757X	Cover, Axle

NOTE: All component dimensions given in U.S. inches
1 inch = 25.4 mm

REPAIR PARTS

20 HP TRACTOR - - MODEL NUMBER 917.250050

ELECTRICAL



REPAIR PARTS

20 HP TRACTOR - - MODEL NUMBER 917.250050

ELECTRICAL

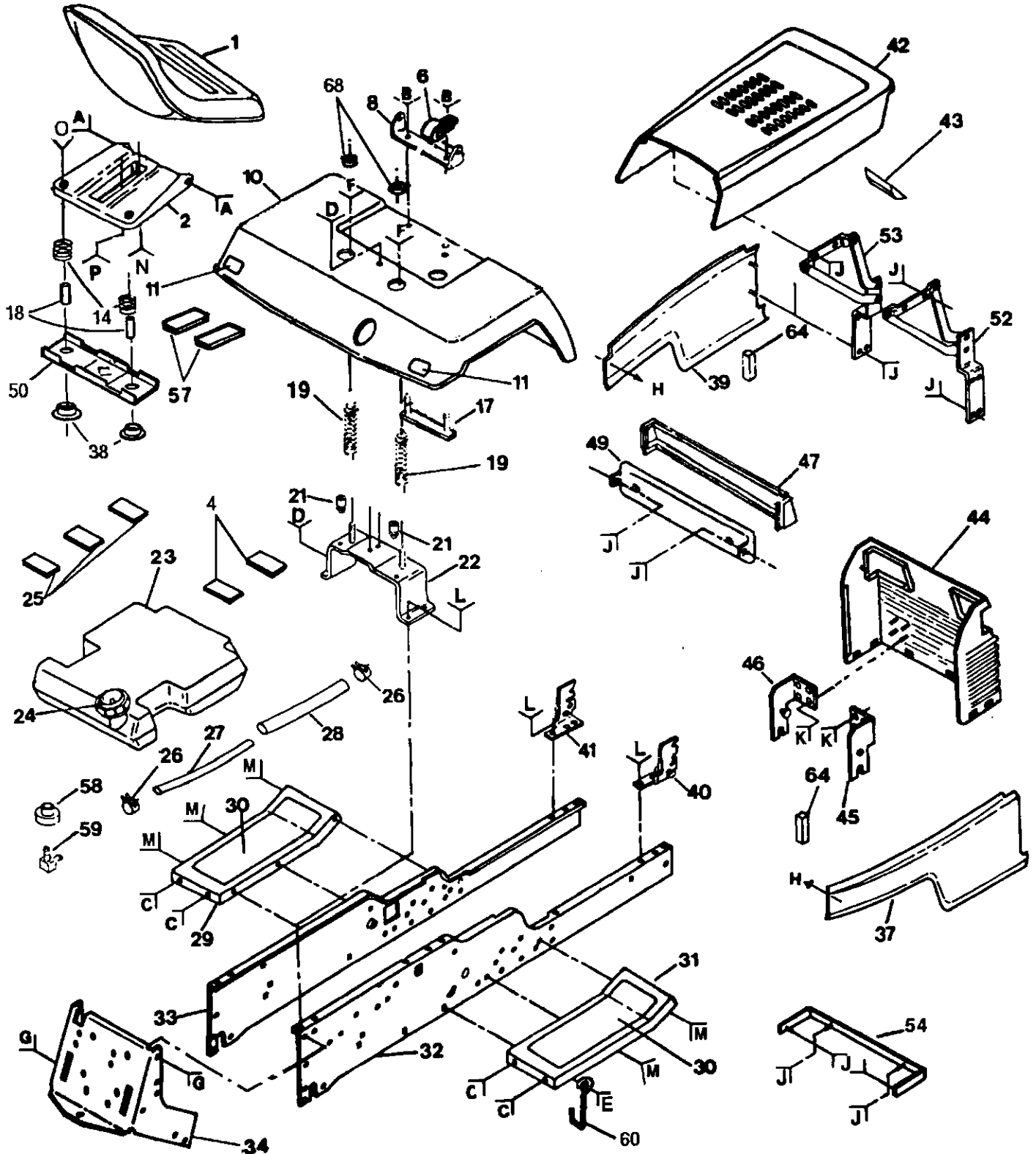
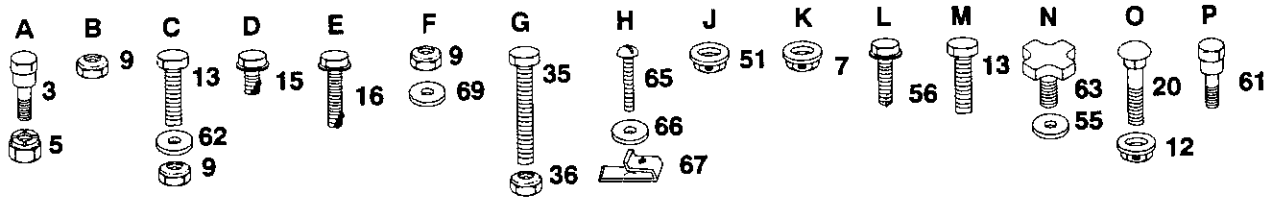
KEY PART NO. NO.	DESCRIPTION	KEY PART NO. NO.	DESCRIPTION
1 109310X	Key	33 128224	Spacer, Clutch
2 STD365402	Switch, Ignition	34 110882X	Stop, Clutch
3 123620X	Cover, Key Switch	35 126197X	Washer 1-1/2 x 15/32 x .250
4 124211X	Nut, Ignition	36 STD551137	Washer, Lock 3/8
5 4171R	Clip	37 72240460	Bolt, Carriage 1/4-20 x 7-1/2
6 110712X	Switch, Light	39 123198X	Nut, Wing 1/4-20
7 121537X	Battery	40 102476X	Guard, Terminal
8 7603J	Tray, Battery	41 STD522507	Bolt, Hex Head 1/4-20 x 3/4
9 7697J	Tube, Battery Drain	42 STD551025	Washer 9/32 x 5/8 x 16 Gauge
10 109596X	Clamp, Hose	43 STD541025	Nut, Hex 1/4-20
11 138406	Solenoid	44 STD551125	Washer, Lock 1/4
12 10090400	Washer, Lock 1/4	45 136850	Harness, Light Socket (Includes Key #20)
13 STD541225	Nut, Hex, Jam 1/4-20	46 121305X	Switch, Plunger
14 17190408	Screw, Hex Washer Head, Thread Cutting 1/4-20 x 1/2	47 19171216	Washer 17/32 x 3/4 x 16 Gauge
15 104445X	Switch, Interlock	48 109748X	Relay, Operator Presence
16 71031008	Screw, Hex Washer Head #10-32 x 1/2	49 121264X	Cap Set, Battery
17 73951000	Nut, Hex, Keps #10-32	50 122822X	Ammeter
18 74520636	Bolt, Hex 3/8-16 x 2-1/4 Grade 5	51 10040700	Washer, Lock, Heavy Helical Spring 7/16
19 139207	Harness, Ignition	52 124371X	Actuator, Electric
20 4152J	Bulb, Headlight	53 7085J	Pin, Actuator
21 108824X	Fuse	54 4940M	Retainer, Spring
22 71130724	Bolt, Hex Head, Fin. 7/16-20 UNF x 1-1/2 Grade 8	55 72110608	Bolt, Carriage 3/8-16 x 1 Grade 5
23 STD523707	Bolt, Hex Head 3/8-16 x 3/4	56 10040600	Washer, Lock Hvy Hlcl Spr 3/8
24 121080X	Cable, Ground	57 73220600	Nut, Hex 3/8-16
25 11050600	Washer, Lock, External Tooth 3/8	58 5950J	Bushing
26 4021J	Switch, P.T.O.	59 677A886	Bracket Asm. Actuator
27 4022J	Nut, Hex	60 131133	Harness Asm. Lift Switch
28 4799J	Cable, Battery	61 9698R	Ground Wire
29 131563	Cover Terminal	62 8984R	Lift Switch
30 74641008	Screw #10-32 x 1/2	63 127017X	Lift Harness
31 129458	Cable, Starter		
32 127170X	Clutch, Electric		

NOTE: All component dimensions given in U.S. inches
1 inch = 25.4 mm

REPAIR PARTS

20 HP TRACTOR - - MODEL NUMBER 917.250050

CHASSIS AND ENCLOSURES



REPAIR PARTS

20 HP TRACTOR - - MODEL NUMBER 917.250050

CHASSIS AND ENCLOSURES

KEY PART NO. NO.	DESCRIPTION	KEY PART NO. NO.	DESCRIPTION		
1	127439	Seat	37	108403X459	Side Panel, R.H.
2	131451	Pan, Seat	38	121248X	Bushing, Snap
3	105529X	Bolt, Shoulder	39	108410X459	Side Panel, L.H.
4	109227X	Pad, Spacer	40	130523	Bracket, Pivot, Frame, R.H.
5	73680500	Nut, Crownlock 5/16-18	41	121055X	Bracket, Pivot, Frame, L.H.
6	2751R	Clip	42	106013X459	Hood
7	120579X	Nut, Pal	43	136532	Bumper Hood
8	126656X	Bracket, Pivot, Seat	44	120153X	Grill
9	73680600	Locknut 3/8-16	45	108512X	Bracket, Grill Pivot, R.H.
10	121642X459	Fender	46	108513X	Bracket, Grill Pivot, L.H.
11	106202X	Reflector, Taillight	47	110898X	Lens, Headlight Bar
12	123976X	Nut, Hex Flange Head 1/4-20	49	132257	Bezel
13	STD523707	Bolt, Hex Head 3/8-16 x 3/4	50	121246X	Bracket, Switch
14	121250X	Spring	51	108067X	Nut, Pal
15	17490608	Screw, Hex Washer Head, Thd., Roll. 3/8-16 x 1/2	52	106091X	Hinge, R.H.
16	17490616	Screw, Hex Washer Head, Thd., Roll. 3/8-16 x 1	53	106090X	Hinge, L.H.
17	105511X	Strap, Fender	54	110350X459	Strap, Grill
18	134300	Spacer, Split	55	19171912	Washer 17/32 x 1-3/16 x 12 Gauge
19	124181X	Spring, Compression	56	17490612	Screw, Hex Head, Thd., Roll. 3/8-16 x 3/4
20	72050411	Bolt, Carriage 1/4-20 x 1-3/8	57	121251X	Strip, Foam
21	105531X	Nut, Push	58	3645J	Bushing
22	105509X	Bracket, Fender	59	8710J	Stem, Fuel Tank
23	127334X	Fuel Tank	60	105500X	Retainer, Belt, Lower
24	123549X	Cap, Fuel Tank	61	127018X	Bolt, Shoulder 5/16-18 UNC
25	106082X	Pad, Spacer	62	19131312	Washer 13/32 x 13/16 x 12 Gauge
26	123487X	Clamp, Hose	63	120068X	Knob
27	7834R	Line, Fuel	64	106088X	Strip, Foam
28	7833R	Line, Fuel	65	106909X	Screw, Special
29	105465X459	Footrest, L.H.	66	106910X	Washer
30	105466X	Pad, Footrest	67	108402X	U-Clip
31	105464X459	Footrest, R.H.	68	124238X	Cap, Spring
32	138597	Rail, Frame, R.H.	69	19131614	Washer 13/32 x 1 x 14 Gauge
33	110893X	Rail, Frame, L.H.			
34	7982J	Drawbar			
35	74760716	Bolt, Hex Head 7/16-14 x 1			
36	73800600	Locknut 7/16-14			

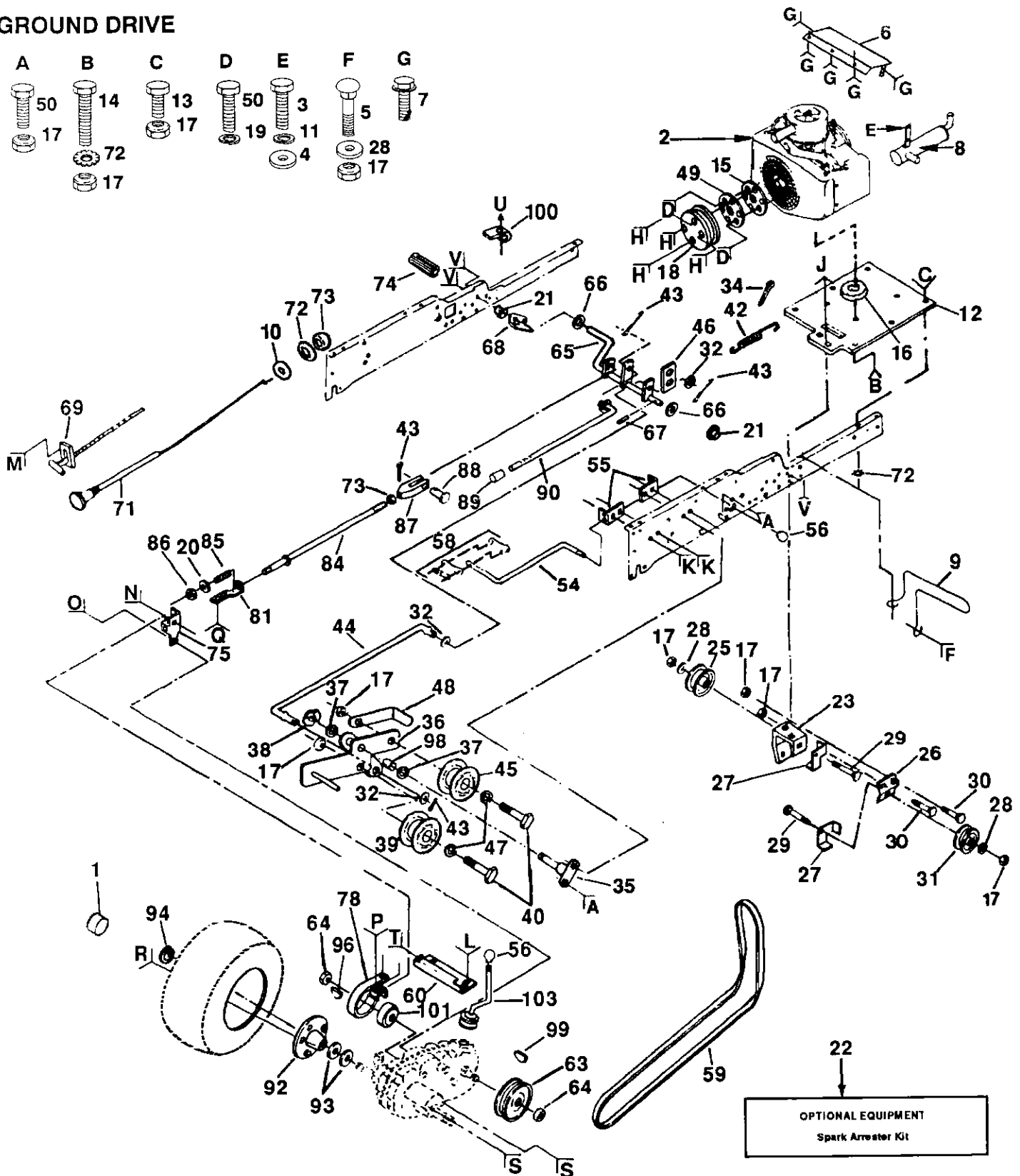
NOTE: All component dimensions given in U.S. inches
1 inch = 25.4 mm

REPAIR PARTS

20 HP TRACTOR - - MODEL NUMBER 917.250050

GROUND DRIVE

- A
50
17
- B
14
72
17
- C
13
17
- D
50
19
- E
3
11
4
- F
5
28
17
- G
7



- H
51
- J
41
28
17
- K
24
57
- L
61
62
- M
70
- N
76
- O
77
19
32
- P
79
11
80
- Q
83
82
- R
95
- S
97
62
- T
61
33
- U
91
102
- V
52
53

REPAIR PARTS

20 HP TRACTOR - - MODEL NUMBER 917.250050

GROUND DRIVE

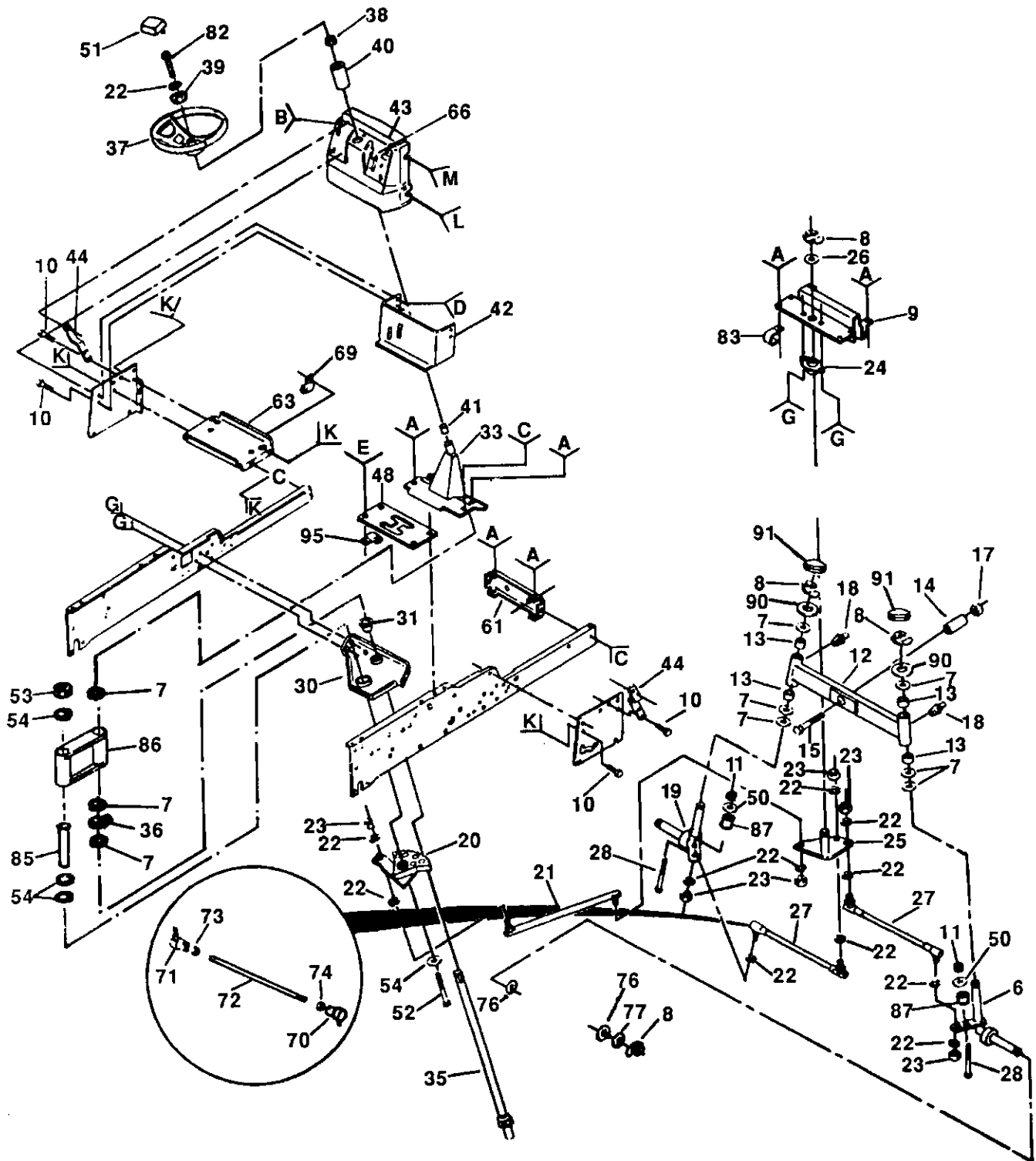
KEY PART NO.	NO.	DESCRIPTION	KEY PART NO.	NO.	DESCRIPTION
1	136327	Cover, Wheel Hub	53	73680400	Nut, Crownlock 1/4-20
2	135363	Engine, Kohler, 20 HP, Model No. M20QS, Type No. 49622	54	122253X	Rod, Shift, Hi-Lo
3	74780412	Bolt, Hex Head 1/4-20 x 3/4	55	105598X	Bracket, Shift Rod
4	19091212	Washer 9/32 x 3/4 x 12 Gauge	56	106932X	Knob
5	72140610	Bolt, Carriage 3/8-16 x 1-1/4	57	73680500	Locknut 5/16-18
6	128124	Heat Shield, Front	58	122268X	Clip, Spring, Connecting Link
7	17720408	Screw, Hex Head, Thread Cutting 1/4-20 x 1/2	59	110883X	V-Belt
8	127881	Muffler	60	120404X	Bracket, Support, Transaxle
9	108885X	Guard, Muffler	61	74760716	Bolt, Hex Head 7/16-14 x 1
10	19132616	Washer 13/32 x 1-5/8 x 16 Gauge	62	STD551143	Washer, Lock 7/16
11	STD551125	Washer, Lock 1/4	63	137524	Pulley, Transaxle
12	110867X	Base, Engine	64	9204H	Locknut 1/2-20
13	STD523707	Bolt, Hex Head 3/8-16 x 3/4	65	104375X	Shaft, Foot Pedal
14	74780624	Bolt 3/8-16 x 1-1/2	66	121749X	Washer 25/32 x 1-1/4 x 16 Gauge
15	110947X	Guard, Chaft	67	STD571812	Pin, Roll 3/16 x 1-14
16	133692	Spacer Plate, Engine Mounting	68	104601X	Bracket, Interlock
17	73680600	Locknut 3/8-16	69	132755	Control, Throttle
18	121355X	Pulley, Ground Drive	70	17720410	Screw, Hex Head, Thread Cutting 1/4-20 x 1
19	STD551137	Washer, Lock 3/8	71	132777	Control, Choke
20	19131614	Washer 13/32 x 1 x 14 Gauge	72	11050600	Washer, Lock, External Tooth 3/8
21	110895X	Nyliner	73	STD541137	Nut, Hex 3/8-24
22	132922	Kit, Spark Arrester	74	8883R	Cover, Foot Pedal
23	121063X	Bracket, V-Pulley, Mule Drive	75	677A637	Bracket, Brake
24	72140506	Bolt, Carriage 5/16-18 x 3/4	76	74370612	Screw, Machine, Undercut Flat Head 3/8-16 x 3/4
25	101344L	Pulley	77	74760614	Bolt, Hex Head 3/8-16 x 7/8
26	122825X	Bracket, Flat Idler	78	101122M	Band, Brake
27	122824X	Belt Guard, Mule Drive	79	72140405	Bolt, Carriage 1/4-20 x 5/8
28	19131612	Washer 13/32 x 1 x 12 Gauge	80	STD541025	Nut, Hex 1/4-20
29	72110614	Bolt, Carriage 3/8-16 x 1-3/4	81	7229J	Guide, Brake Rod
30	72140606	Bolt, Carriage 3/8-16 x 3/4	82	1685H	Locknut 5/16-18
31	102403X	Idler, Flat	83	STD533110	Bolt, Carriage 5/16-18 x 3/4
32	STD551037	Washer 13/32 x 13/16 x 16 Gauge	84	5308J	Rod, Brake
33	73680700	Nut, Crownlock 7/16-14	85	7241J	Spring, Compression
34	76020816	Pin, Cotter 1/4 x 1	86	73530600	Nut, Crownlock 3/8-24
35	101358K	Clutch Bracket Assembly	87	100604K	Yoke
36	121356X	Bracket, Clutch, with Bearing (Includes Key Number 98)	88	5102J	Pin, Clevis
37	207J	Washer, Hardened	89	124236X	Cap, Plunger
38	12000039	Ring, Klip	90	136284	Rod, Parking Brake
39	121361X	Idler, Grooved	91	74321016	Screw, Fin. #10-24 x 1
40	STD523715	Bolt, Hex Head 3/8-16 x 1-3/4	92	135758X431	Hub, Wheel and Bushing
41	74760620	Bolt, Hex Head 3/8-16 x 1-1/4	93	7563R	Washer, Thrust, Axle
42	121357X	Spring, Extension, Clutch	94	12000034	Ring, Klip
43	STD570907	Pin, Cotter 3/32 x 3/4	95	1304H	Bolt, Hub
44	101356L	Rod, Clutch	96	2228M	Key, Woodruff
45	104360X	Idler, Flat	97	74760720	Bolt, Hex Head 7/16-14 x 1-1/4
46	121358X	Retainer, Spring	98	105706X	Bearing, Idler
47	19131413	Washer 13/32 x 7/8 x 13 Gauge	99	9858M1	Key, Woodruff
48	121360X	Retainer, Belt	100	5304J	Actuator, Interlock Switch
49	104577X	Adapter	101	214J	Drum, Brake
50	STD523710	Bolt, Hex Head 3/8-16 x 1 Grade 5	102	STD541410	Locknut #10-24
51	17190516	Screw, Hex Head, Thread Cutting 5/16-18 x 1	103	633A109	Assembly, Gearshift Lever
52	STD522507	Bolt, Hex Head 1/4-20 x 3/4			

NOTE: All component dimensions given in U.S. inches
1 inch = 25.4 mm

REPAIR PARTS

20 HP TRACTOR - - MODEL NUMBER 917.250050

STEERING ASSEMBLY



- | | | | | | | | | |
|----------|----------|----------|----------|----------|----------|----------|----------|----------|
| A | B | C | D | E | G | K | L | M |
| 10 | 92 | 34 | 11 | 49 | 82 | 75 | 46 | 32 |
| 11 | 93 | | | | 11 | 62 | 45 | 45 |
| | 94 | | | | | | 47 | 22 |
| | | | | | | | 22 | 60 |
| | | | | | | | 60 | |

REPAIR PARTS

20 HP TRACTOR - - MODEL NUMBER 917.250050

STEERING ASSEMBLY

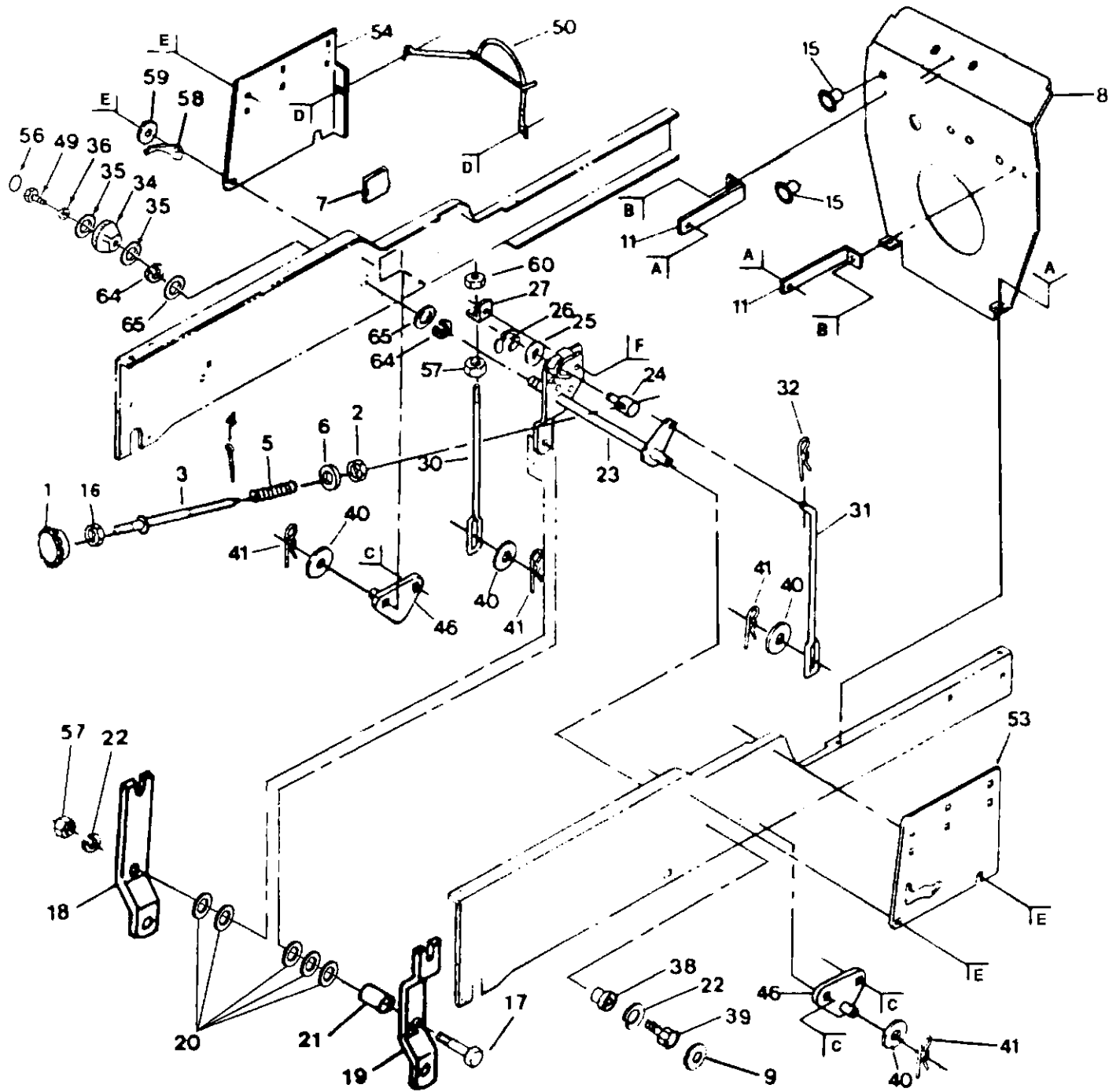
KEY PART NO. NO.	DESCRIPTION	KEY PART NO. NO.	DESCRIPTION
6	106045X Spindle, R.H.	45	19171416 Washer 17/32 x 7/8 x 16 Gauge
7	6266H Bearing, Axle	46	72110622 Bolt, Carriage 3/8-16 x 2-3/4
8	12000029 Klip, Ring	47	121235X Spacer
9	5284J Bracket, Axle	48	106042X018 Cover, Gate, Shift
10	STD523707 Bolt, Hex 3/8-16 x 3/4	49	17720408 Screw, Hex Washer Head, Thread Cutting 1/4-20 x 1/2
11	73680600 Nut, Crownlock 3/8-16	50	19131212 Washer 13/32 X 3/4 X 12 Gauge
12	137094 Axle, Front (Includes Key No. 13)	51	100710L Insert, Steering Wheel
13	1309H Bearing	52	74780880 Bolt, Hex 1/2-13 x 5
14	136518 Spacer, Bearing, Axle, Front	53	73680800 Nut, Crownlock 1/2-13
15	74781044 Bolt, Hex 5/8-11 x 2-3/4 Grade 5	54	19172610 Washer 17/32 x 1-5/8 x 10
17	73681000 Nut, Crownlock 5/8-11	60	STD541037 Nut, Hex 3/8-16
18	6855M Fitting, Grease	61	5213J Bracket, Frame Front
19	106046X Spindle, L.H.	62	73680500 Nut, Crownlock 5/16-18
20	120424X Sector Assembly	63	137563 Support, Battery
21	110497X Link, Drag	66	124557X011 Dashplate
22	STD551137 Washer, Lock 3/8	69	2751R Clip
23	STD541137 Nut, Hex 3/8-24	70	109850X Joint, Tie Rod, R.H. Thread
24	5292J Bushing, Bellcrank	71	109851X Joint, Tie Rod, L. H. Thread
25	108137X Bellcrank	72	7919J Rod, Tie
26	19292016 Washer 29/32 x 1-1/4 x 16 Gauge	73	73700600 Nut, Hex, Jam 3/8-24 L.H.
27	109849X Rod, Tie	74	STD541337 Nut, Hex, Jam 3/8-24 R.H.
28	74520628 Bolt, Hex Fin 3/8-16 UNC x 1-3/4	75	STD533107 Bolt, Carriage 5/16-18 x 3/4
30	102439X Bracket, Support, Steering	76	121749X Washer 13/32 x 1-1/4 x 16 Gauge
31	104239X Bearing, Flanged	77	121748X Washer 25/32 x 1-1/4 x 16 Gauge
32	72110608 Bolt, Carriage 3/8-16 x 1 Grade 5	82	STD523710 Bolt, Hex 3/8-16 x 1 Grade 5
33	101274N Support, Steering	83	100207K Clip 3/8
34	17490612 Screw, Hex Washer Head, Thread Rolling 3/8-16 x 3/4	85	120199X Tube
35	102458X Shaft, Steering	86	121177X Collar
36	12000034 Klip, Ring	87	101496X Spacer, Split
37	121021X Wheel, Steering	90	121748X Washer 25/32 x 1-5/8 x 16 Gauge
38	100711L Adapter, Steering	91	121232X Cap, Spindle
39	19133808 Washer	92	74180412 Screw, Machine 1/4-20 x 3/4
40	121050X Sleeve, Steering	93	19091216 Washer 9/32 x 3/4 x 16 Gauge
41	9038R Bearing	94	73510400 Nut, Hex, Keps 1/4-20
42	105519X Dash, Lower	95	4171R Clip
43	120028X Dash		
44	105525X Bracket, Support, Dash		













NOTE: All component dimensions given in U.S. inches.
1 inch = 25.4 mm

REPAIR PARTS

20 HP TRACTOR - - MODEL NUMBER 917.250050

LIFT ADJUSTMENT



- | | | | | | |
|---|---|---|---|---|---|
| A | B | C | D | E | F |
|  |  |  |  |  |  |
|  |  |  |  | |  |
| | |  | | | |

REPAIR PARTS

20 HP TRACTOR - - MODEL NUMBER 917.250050

LIFT ADJUSTMENT

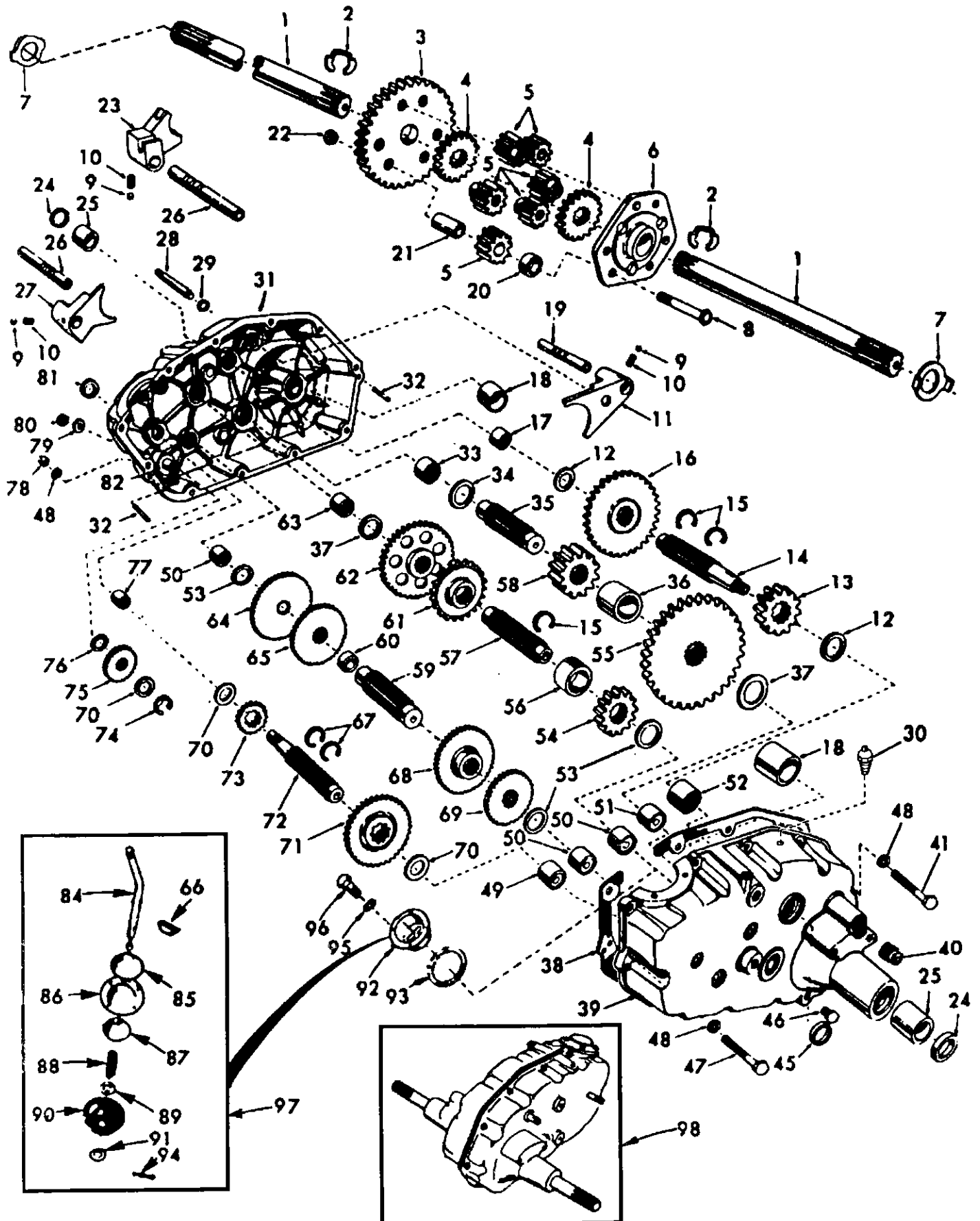
KEY PART NO. NO.	DESCRIPTION
1 138057	Knob, Inf 3/8-16
2 110807X	Nut, Special
3 110811X	Rod, Adjust, Lift
4 STD570907	Pin, Cotter 3/32 x 1/2
5 2876H	Spring
6 19131016	Washer 13/32 x 5/8 x 16 Gauge
7 121794X	Cover, Access
8 127808	Shield, Heat, Rear
9 109412X	Cap, Spring
10 STD541431	Nut, Crownlock 5/16-18
11 128278	Brace, Heat Shield
12 STD522505	Bolt, Hex 1/4-20 x 1/2 Grade 5
13 73680400	Nut, Crownlock 1/4-20
15 110436X	Grommet, Split
16 STD541237	Nut, Hex, Jam 3/8-16 UNC
17 74520628	Bolt 3/8-16 x 1-3/4 Grade 5
18 5948J	Bracket, Lift, LH
19 5947J	Bracket, Lift, RH
20 19172410	Washer 17/32 x 1-1/2 x 10 Gauge
21 5949J	Tube .384 x 1-1/2 x 15/16
22 STD551137	Washer, Lock 3/8
23 124217X	Shaft, Lift
24 110810X	Trunnion, Depth Stop
25 19151216	Washer 15/32 x 3/4 x 16 Gauge
26 12000037	Klip Ring
27 7594J	Bracket, Lift, LH
28 7901J	Bolt, Shoulder
29 STD541237	Nut, Hex, Flange 1/4-20
30 7596J	Link, Lift, LH
31 105503X	Link, Lift, RH
32 4939M	Retainer, Spring
34 123934X	Scale, Height Indicator
35 19112410	Washer 11/32 x 1-1/2 x 10 Gauge
36 STD551131	Washer, Lock
37 STD523107	Bolt, Hex Head 5/16-18 x 3/4
38 105624X	Hub, Lift Shaft
39 STD523710	Bolt, Hex Head 3/8-16 x 1
46 105501X	Bracket, Suspension, Mower
47 STD533707	Bolt, Carriage 3/8-16 x 3/4
48 STD541431	Nut, Crownlock 3/8-16
49 74780516	Bolt, Hex Head 5/16-18 x 1
50 126651X	Guard, Belt, Engine
51 STD533110	Bolt, Carriage 5/16-18 x 1
52 19111610	Washer 11/32 x 1 x 10 Gauge
53 121045X	Panel, Side, RH
54 121046X	Panel, Side, LH
55 17490608	Bolt, Hex Washer Head, Thd., Roll. 3/8-16 x 1/2
56 123935X	Plug, Hole
57 STD541037	Nut, Hex 3/8-16
58 123933X505	Pointer, Height Indicator
59 120529X	Washer, Nylon .44 x .75 x .032
60 STD541437	Locknut, Hex, Washer Insert 3/8-16
62 STD541437	Nut, Centerlock 3/8-16
64 12000022	E-Ring
65 19292016	Washer 29/32 x 1-1/4 x 16 Gauge

NOTE: All component dimensions given in U.S. inches.
1 inch = 25.4 mm

REPAIR PARTS

20 HP TRACTOR - - MODEL NUMBER 917.250050

TRANSAXLE



REPAIR PARTS

20 HP TRACTOR - - MODEL NUMBER 917.250050

TRANSAXLE

KEY PART NO.	NO.	DESCRIPTION	KEY PART NO.	NO.	DESCRIPTION
1	4197R	Axle Shaft	51	1529R	Needle Bearing
2	12000034	Retaining Ring	52	8119M	Needle Bearing
3	4199R	Final Drive Gear	53	4220R	Thrust Bearing Race
4	4216R	Differential Gear	54	4209R	3rd Reduction Pinion, Low
5	4215R	Differential Pinion	55	4213R	4th Reduction Gear
6	4217R	Differential Carrier	56	4442R	3rd Reduction Pinion Spacer
7	6256H	Axle Thrust Washer	57	4195R	2nd Reduction Gear Shaft
8	74020652	Bolt, Hex Head 3/8-24 x 3-1/4 (1" Thread Length)	58	4214R	Final Drive Pinion
9	7392M	Steel Ball	59	4194R	1st Reduction Gear Shaft
10	137261	Spring Shift Fork Detent	60	7528R	1st Reduction Shaft Spacer
11	4985R	Shift Fork, High-Low Range	61	4208R	3rd Reduction Pinion High
12	6266H	Thrust Bearing Race	62	4207R	2nd Reduction Gear
13	4212R	4th Reduction Pinion	63	7398H	Needle Bearing
14	4196R	3rd Reduction Gear Shaft	64	4203R	Low Speed Gear and 2nd Reduction Pinion Cluster
15	6276H	Snap Ring, Crescent Type	65	4204R	Reverse Gear
16	633A63	High-Low Range Gears	66	2898J	Key, Hi-Pro 1/8 x 17/32
17	8118M	Needle Bearing	67	4926H	Snap Ring, Crescent Type
18	8740H1	Sintered Iron Bearing	68	4205R	Intermediate Speed Gear
19	122238X	Shift Fork Shaft, High-Low Range	69	4206R	High Speed Gear
20	4218R	Differential Pinion Spacer	70	1370H	Thrust Bearing Race
21	6252H1	Differential Pinion Bushing	71	633A69	Intermediate and High Speed Cluster Pinions
22	7810H	Gripco Centerlock Nut 3/8-24	72	208J	Input Shaft
23	6262H	Shift Fork, L.H.	73	4201R	Low Speed Pinion
24	7393R	Oil Seal	74	12000002	E-Ring
25	992R1	Sintered Iron Bearing	75	1153R	Reverse Idler Gear
26	6216H	Shift Fork Shaft	76	7392H	Reverse Idler Thrust Washer
27	4986R	Shift Fork, R.H.	77	3990H	Needle Bearing
28	122254X	Shift Shaft, High-Low Range	78	73220500	Nut, Hex 5/16-18
29	6269H	Oil Seal	79	1167R	Sealing Washer
30	5855H	Pressure Relief Valve	80	73360700	Nut, Hex, Jam 7/16-20
31	137976	Gearcase, Reverse Idler Shaft and Bearings, R.H. (Includes Key No.'s 17, 18, 25, 33, 50, 63, 76, 77 & 82)	81	6270H	Oil Seal
32	6277H	Dowel Pin	82	7384H	Reverse Idler Shaft
33	4225R	Needle Bearing	84	5384J	Gearshift Lever, Bent
34	7396H	Thrust Bearing Race	85	2978J	Gearshift Cap
35	4198R	4th Reduction Gear Shaft	86	633A85	Gearshift Ball Cover and Pin
36	4200R	4th Reduction Gear Spacer	87	8739H1	Shift Lever Guide Ball, Keyed
37	7395H	Thrust Bearing Race	88	4924H	Spring
38	121878X	Gearcase Gasket	89	19151516	Washer 15/32 x 15/16 x 16 Gauge
39	137974	Gearcase and Bearings, L.H. (Includes Key Numbers 18, 25, 49, 50 (2), 51 and 52)	90	110542X	Shift Mechanism Seal
40	13320400	Pipe Plug 1/2-14 N.P.T.	91	19181511	Washer 9/16 x 15/16 x 12 Gauge
41	74780526	Bolt, Hex 5/16-18 UNC x 1-5/8	92	75J	Gearshift Gate and Reinforcement
45	6271H	Oil Seal	93	6274H	Shift Ball Cover Gasket
46	13060200	Pipe Plug 1/4-18 N.P.T.	94	76020412	Cotter Pin 1/8 x 3/4
47	74780524	Bolt, Hex 5/16-18 x 1-1/2 Grade 5	95	10040500	Washer, Lock 5/16
48	10140500	Washer, Lock, Extra Heavy 5/16	96	74760514	Bolt, Hex Head 5/16-18 UNC x 7/8
49	4895H	Needle Bearing	97	633A109	Gearshift Lever Assembly
50	4222R	Needle Bearing	98	137982	Transaxle Assembly (Less Brake Drum and Shift Lever)

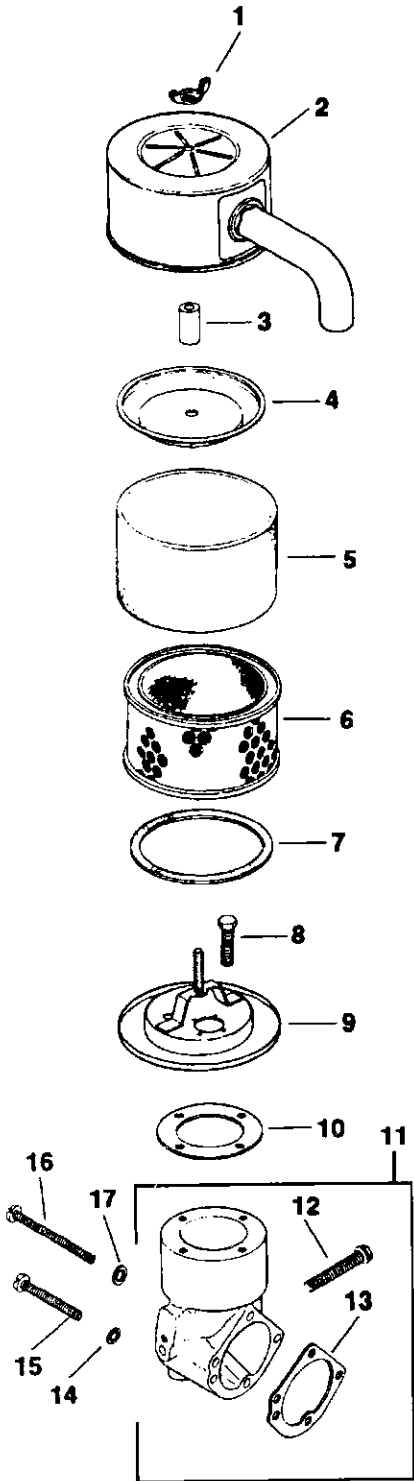
NOTE: All component dimensions given in U.S. inches
1 inch = 25.4 mm

REPAIR PARTS

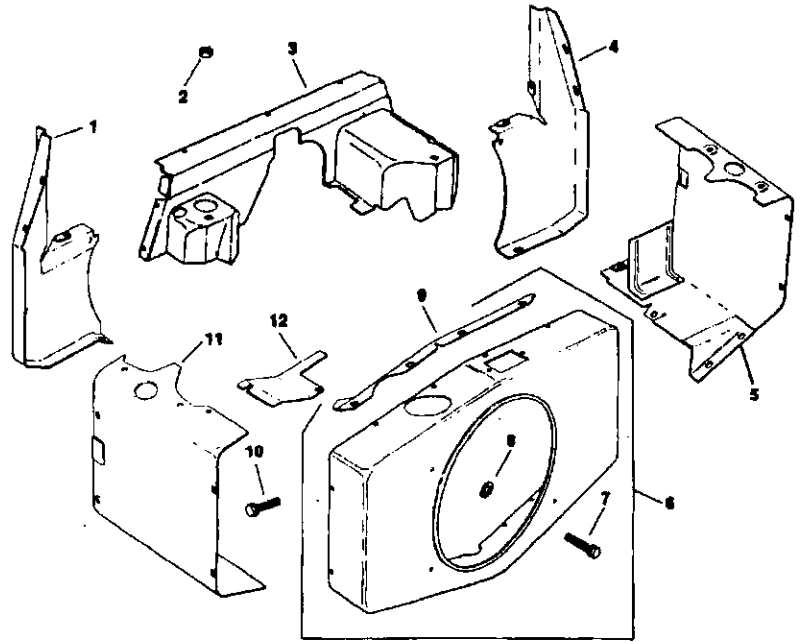
20 HP TRACTOR - - MODEL NUMBER 917.250050

KOHLER ENGINE - MODEL NUMBER M20QS, TYPE NUMBER 49622

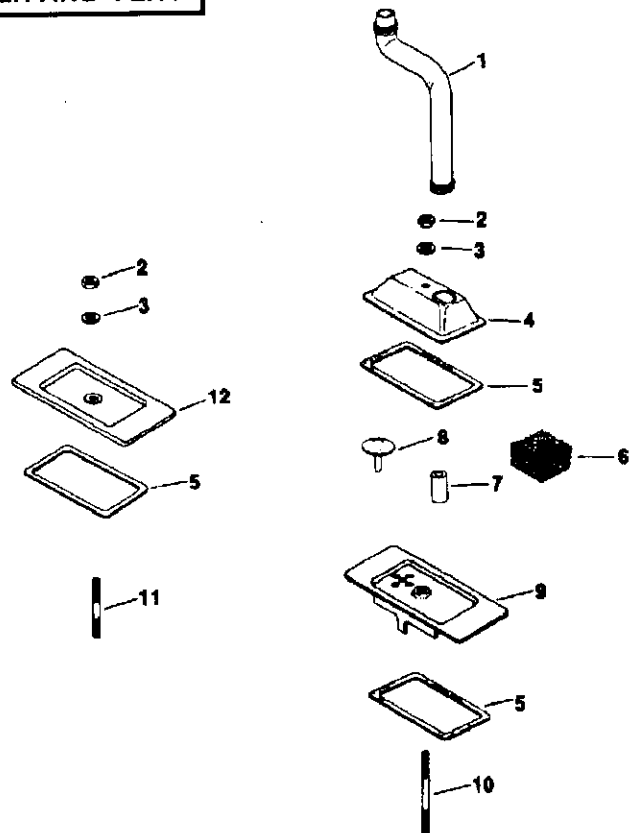
AIR INTAKE



BAFFLES AND SHROUD



BREATHER AND VENT



REPAIR PARTS

20 HP TRACTOR - - MODEL NUMBER 917.250050

KOHLER ENGINE - MODEL NUMBER M20QS, TYPE NUMBER 49622

AIR INTAKE

KEY PART NO. NO.	DESCRIPTION
1 X-276-7	Wing Nut 1/4-20
2 52 096 36	Cover, Air Cleaner
3 231032	Seal, Element Cover
4 52 082 04	Cover, Air Cleaner Element
5 45 083 01	Pre-Cleaner
6 45 083 02	Element, Air Cleaner
7 237423	Seal, Air Cleaner Cover
8 X-67-98	Screw, Hex Washer Head #10-32 x 9/16 (4)
9 52 201 06	Base, Air Cleaner
10 277093	Gasket, Air Cleaner Base
11 52 754 01	Kit, Elbow (Includes Key Numbers 12 and 13)
12 52 086 11	Screw, Hex Cap 1/4-20 x 5/8
13 25 041 06	Gasket, Elbow
14 X-22-9	Washer, Lock #10 (2)
15 X-50-57	Screw, Machine, Round Head #10-32 x 1-1/2 (2)
16 X-50-37	Screw, Machine, Round Head #10-32 x 2-1/4
17 X-25-79	Washer, Plain #10

NOT ILLUSTRATED

-- 25 113 07	Decal, Air Cleaner
-- 52 113 43	Decal, Air Cleaner

BAFFLES & SHROUD

KEY PART NO. NO.	DESCRIPTION
1 52 281 23	Duct, Air, #1 Side
2 X-82-2	Nut 5/16-18 (2)
3 52 282 01	Cover, Air Duct
4 52 281 05	Duct, Air, #2 Side
5 52 063 36	Baffle, #1 Cylinder Head
6 52 755 71	Kit, Blower Housing (Includes Key Numbers 7 and 9)
7 52 086 11	Screw, Self-Tapping 1/4-20 x 5/8 (6)
8 52 468 16	Washer, Flat 1/4 (2)
9 52 217 01	Support, Upper Housing
10 X-67-83	Screw, Hex Washer Head 1/4-20 x 7/16 (23)
11 52 063 30	Baffle, #2 Cylinder Head
12 52 063 01	Baffle, #2 Cylinder Top

NOT ILLUSTRATED

-- 52 113 34	Decal, Horsepower
--------------	-------------------

BREATHER & VENT

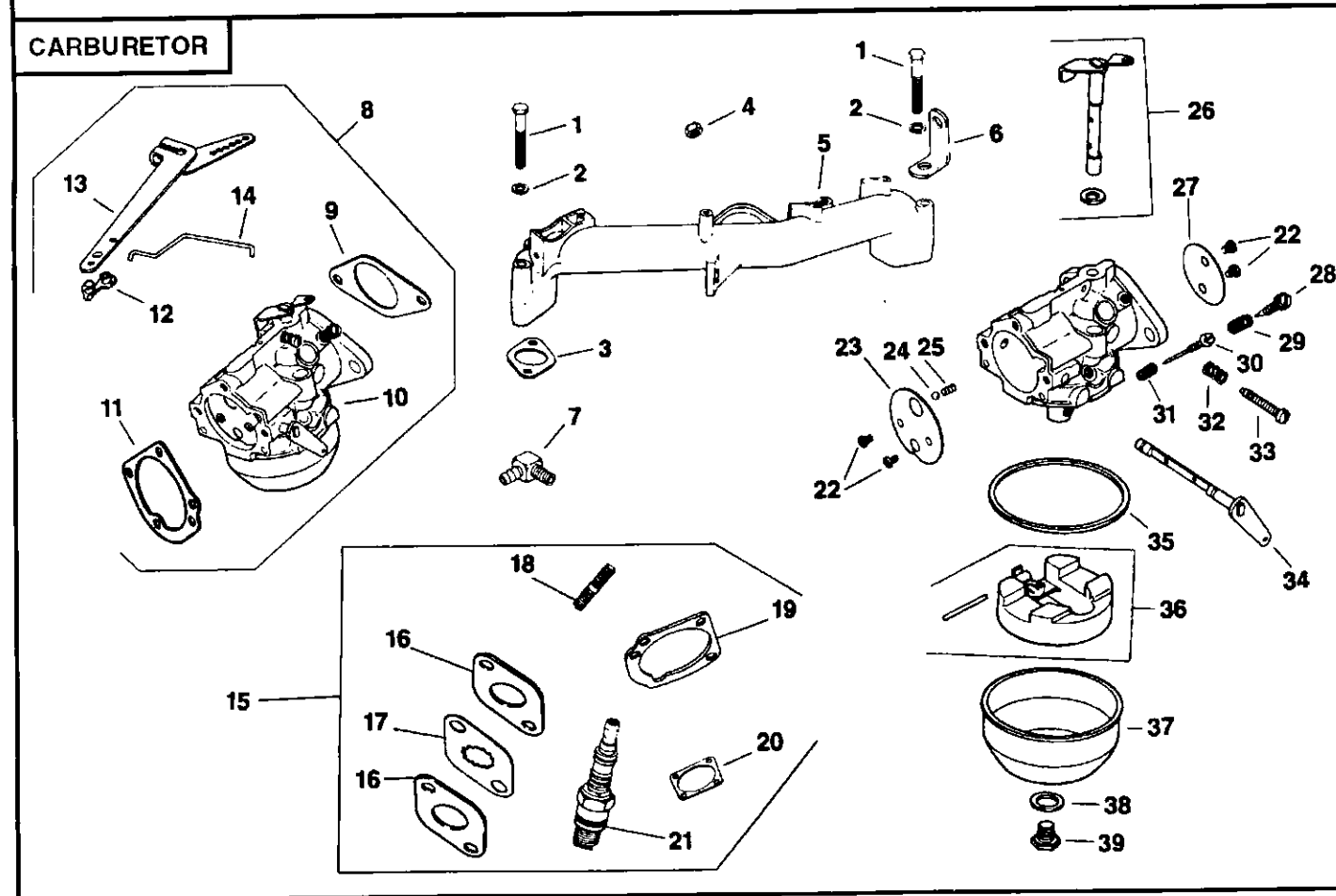
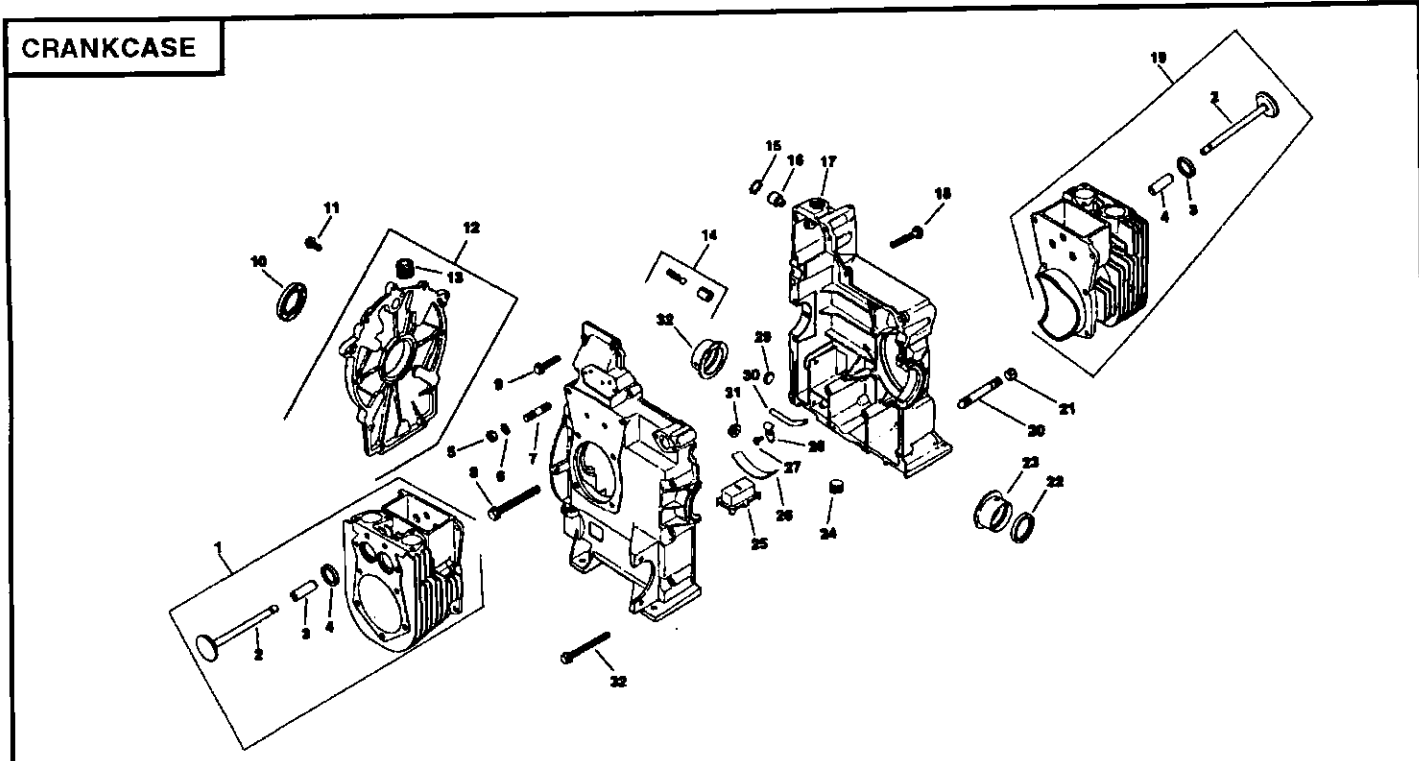
KEY PART NO. NO.	DESCRIPTION
1 52 326 05	Hose, Breather
2 X-81-1	Nut, Hex 1/4-20 (2)
3 X-25-12	Washer, Plain 1/4 (2)
4 52 096 08	Cover, #1 Upper Cylinder Valve
5 52 055 01	Gasket, Cover (3)
6 231419	Filter, Breather
7 52 032 04	Seal, Breather
8 52 462 01	Valve, Breather
9 52 096 22	Cover, #1 Lower Cylinder Valve
10 275220	Stud, #1 Cylinder Valve Cover 1/4-20 x 3-1/4
11 X-352-39	Stud, #2 Cylinder Valve Cover 1/4-20 x 2-1/4
12 52 096 18	Cover, #2 Cylinder Valve

NOTE: All component dimensions given in U.S. inches
1 inch = 25.4 mm

REPAIR PARTS

20 HP TRACTOR - - MODEL NUMBER 917.250050

KOHLER ENGINE - MODEL NUMBER M20QS, TYPE NUMBER 49622



REPAIR PARTS

20 HP TRACTOR - - MODEL NUMBER 917.250050

KOHLER ENGINE - MODEL NUMBER M20QS, TYPE NUMBER 49622

CRANKCASE

KEY PART NO.	NO.	DESCRIPTION
1	82 755 19	Kit, #2 Cylinder Barrel (Includes Key Numbers 2 thru 4)
2	52 016 06	Valve, Exhaust
3	52 316 06	Guide, Valve (2)
4	52 031 01	Insert, Valve Seat (2)
5	X-82-2	Nut, Hex 5/16-18 (12)
6	52 468 12	Washer, Flat 5/16 (12)
7	52 072 12	Step Stud 5/16-18 x 3/4, 3/8-16 x 5/8, 2" Long (12)
8	25 086 13	Screw, Hex Flange 3/8-16 x 3-5/8 (2)
9	25 086 10	Screw, Hex Flange 5/16-18 x 1-1/2 (3)
10	X-583-5	Seal, Oil, Rear
11	X-802-9	Screw, Washer Head 5/16-18 x 1 (9)
12	52 755 57	Kit, Closure Plate (Includes Key Number 13)
13	X-75-23	Plug, 1/8 N.P.T.F.
14	52 755 50	Kit, Oil Relief
15	X-269-43	Ring, Retaining
16	52 078 05	Shaft, Governor
17	---	Crankcase (Service with Short Block, Part Number 52 522 77)
18	25 086 12	Screw, Hex Flange 5/16-18 x 2 (2)
19	82 755 18	Kit, #1 Cylinder Barrel (Includes Key Numbers 2 thru 4)
20	12 136 07	Nipple, Pipe
21	12 173 03	Cap, Pipe
23	52 030 10	Bearing, Sleeve, Standard (2)
	52 030 11	Bearing, Sleeve .010" (2)
	52 030 12	Bearing, Sleeve .020" (2)
24	X-75-32	Plug, Hex, ctsk. 3/8 N.P.T.F. (2)
25	52 095 03	Housing, Oil Pickup
26	52 237 02	Clamp, Spring
27	X-67-64	Screw, Hex Washer Head #10-32 x 7/16
28	52 237 05	Clamp, Tube
29	X-702-15	Plug, Cup 5/16
30	52 123 10	Tube, Dipstick
31	52 139 08	Plug
32	52 032 10	Seal, Oil, Front
33	25 086 11	Screw, Hex Flange 5/16-18 x 3-1/2 (8)

CARBURETOR

KEY PART NO.	NO.	DESCRIPTION
1	X-6-8	Screw, Hex Cap 5/16-18 x 2-3/4 (4)
2	X-21-1	Washer, Lock 5/16 (4)
3	52 041 09	Gasket, Intake (2)
4	X-77-2	Nut 5/16 (2)
5	52 164 10	Manifold, Intake
6	52 445 02	Strap, Lifting (2)
7	25 155 02	Connector, Hose
8	52 853 27	Kit, Carburetor with Gasket (Includes Key Numbers 9 thru 14)
9	271030	Gasket, Carburetor
10	52 053 58	Carburetor Assembly (Information Only - Not Available Separately)
	or	
	52 053 63	(Includes Key Numbers 22 thru 39)
11	25 041 06	Gasket, Air Cleaner
12	25 158 11	Bushing, Governor Linkage (2)
13	52 186 06	Arm, Governor
14	82 755 07	Kit, Governor Linkage (Includes Key Numbers 16 thru 21)
15	82 755 24	Kit, Carburetor Baffle (Includes Key Numbers 16 thru 21)
16	271030	Gasket, Carburetor (2)
17	52 063 40	Baffle, Carburetor
18	41 072 19	Stud 5/16-18 x 1-1/4 (2)
19	25 041 06	Gasket, Air Cleaner Elbow
20	277093	Gasket, Air Cleaner
21	52 132 02	Spark Plug (2)
22	25 086 27	Screw, Throttle and Choke Plate (4)
23	25 146 03	Plate, Choke
24	25 194 01	Ball, Choke, Friction
25	25 089 03	Spring, Choke, Friction
26	52 144 18	Shaft, Throttle with Lever and Seal
27	25 146 02	Plate, Throttle
28	25 368 01	Needle, Idle Fuel Adjust
29	25 089 02	Spring, Idle, Fuel
30	25 086 26	Screw, Idle Speed Adjust
31	25 089 04	Spring, Idle Speed
32	25 089 02	Spring, Main Fuel
33	25 368 03	Needle, Main Fuel
34	52 090 12	Lever, Choke
35	25 041 04	Gasket, Bowl
36	25 757 09	Kit, Float
37	25 104 01	Bowl, Fuel
38	25 041 03	Gasket, Bowl Retainer Screw
39	25 100 05	Screw, Bowl Retainer

NOT ILLUSTRATED

-- 25 757 11 Kit, Carburetor Repair

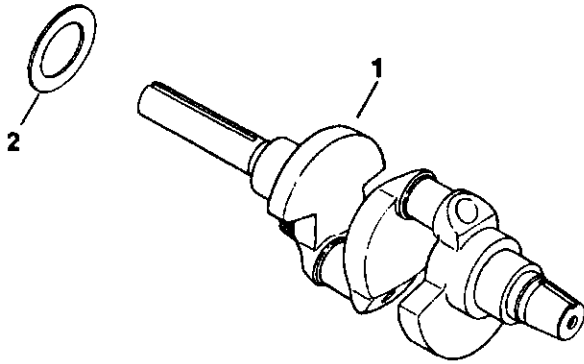
NOTE: All component dimensions given in U.S. inches
1 inch = 25.4 mm

REPAIR PARTS

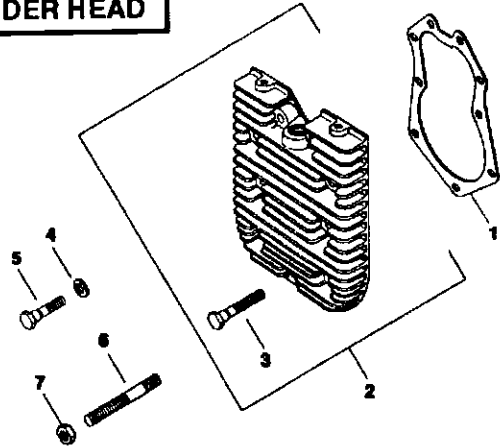
20 HP TRACTOR - - MODEL NUMBER 917.250050

KOHLER ENGINE - MODEL NUMBER M20QS, TYPE NUMBER 49622

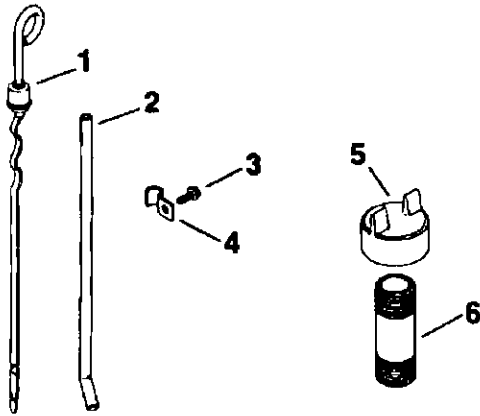
CRANKSHAFT



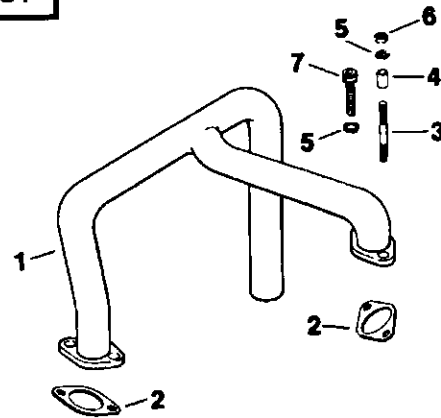
CYLINDER HEAD



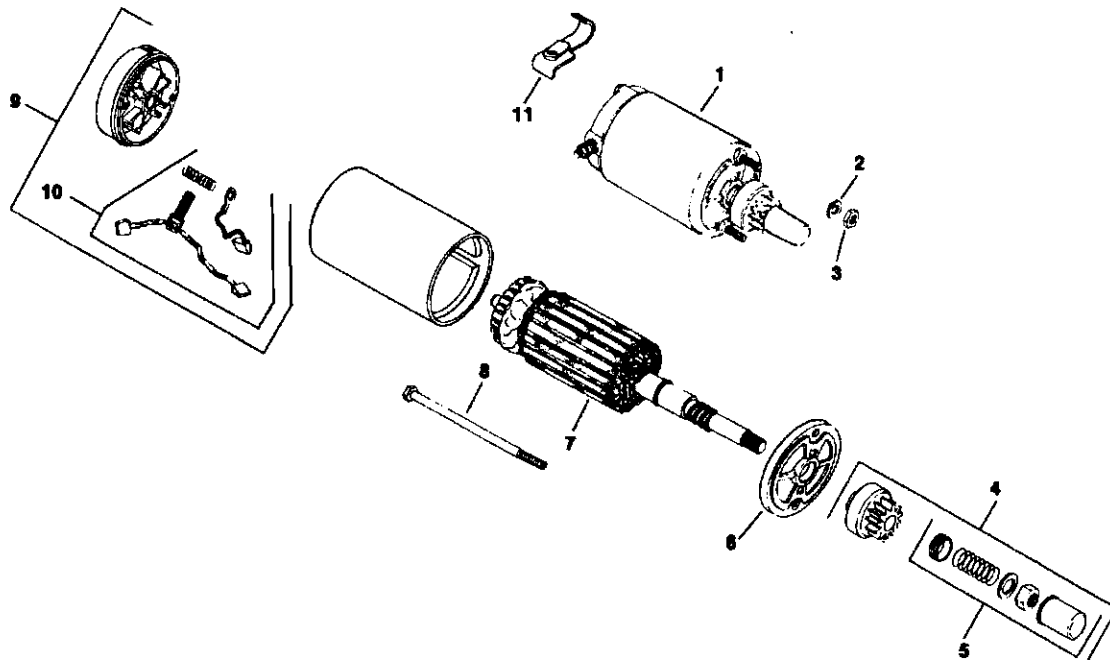
DIPSTICK



EXHAUST



ELECTRIC STARTER



REPAIR PARTS

20 HP TRACTOR - - MODEL NUMBER 917.250050

KOHLER ENGINE - MODEL NUMBER M20QS, TYPE NUMBER 49622

CRANKSHAFT

KEY PART NO.	NO.	DESCRIPTION
1	52 014 76	Crankshaft
2	52 468 03	Washer, Thrust .119/.122 (A.R.)
	52 468 04	Washer, Thrust .128/.131
	52 468 05	Washer, Thrust .137/.140 (A.R.)

CYLINDER HEAD

KEY PART NO.	NO.	DESCRIPTION
1	52 041 20	Gasket, Head (2)
2	52 755 78	Kit, Cylinder Head (2) (Includes Key Number 3)
3	25 086 07	Screw, Hex Machine 5/16-18 x 2 (4)
4	220534	Washer, Plain 5/16 (18)
5	41 086 02	Screw, Hex Head 5/16-18 x 1-1/2 (8)
6	52 072 15	Stud 5/16-18 x 2 (6)
7	X-82-2	Nut, Hex 5/16-18 (6)

DIPSTICK

KEY PART NO.	NO.	DESCRIPTION
1	52 038 04	Dipstick, Blade 11-5/16
2	52 123 09	Tube, Oil Level
3	X-67-64	Screw #10-32 x 3/8
4	52 154 01	Clip, Tube
5	52 173 01	Cap, Pipe
6	46 136 02	Pipe, Oil Fill 3/4 I.P. x 2-1/2

EXHAUST

KEY PART NO.	NO.	DESCRIPTION
1	52 164 17	Manifold
2	52 041 14	Gasket, Exhaust (2)
3	52 072 13	Stud 5/16-18 x 4 (2)
4	52 112 08	Spacer (2)
5	X-21-1	Washer, Lock 5/16 (4)
6	X-82-2	Nut 5/16-18 (2)
7	X-55-6	Screw, Hex Socket Head 5/16-18 x 3/4 (2)

ELECTRIC STARTER

KEY PART NO.	NO.	DESCRIPTION
1	52 098 06	Starter Assembly (Includes Key Numbers 4 thru 10)
2	X-20-1	Washer, Lock 1/4 (2)
3	X-81-1	Nut, Hex 1/4-20 (2)
4	52 755 05	Kit, Drive (Includes Key Number 5)
5	52 755 08	Kit, Drive Parts
6	52 227 01	Cap, Drive End
7	52 170 03	Armature
8	52 211 03	Bolt, Thru 1/4-20 x 6-7/8 (2)
9	52 227 07	Cap, Commutator End (Includes Key Number 10)
10	52 755 15	Kit, Brush
11	52 126 09	Bracket, Mounting

NOT ILLUSTRATED

--	52 357 01	Lubricant, Starter
--	25 450 03	Tag, Caution

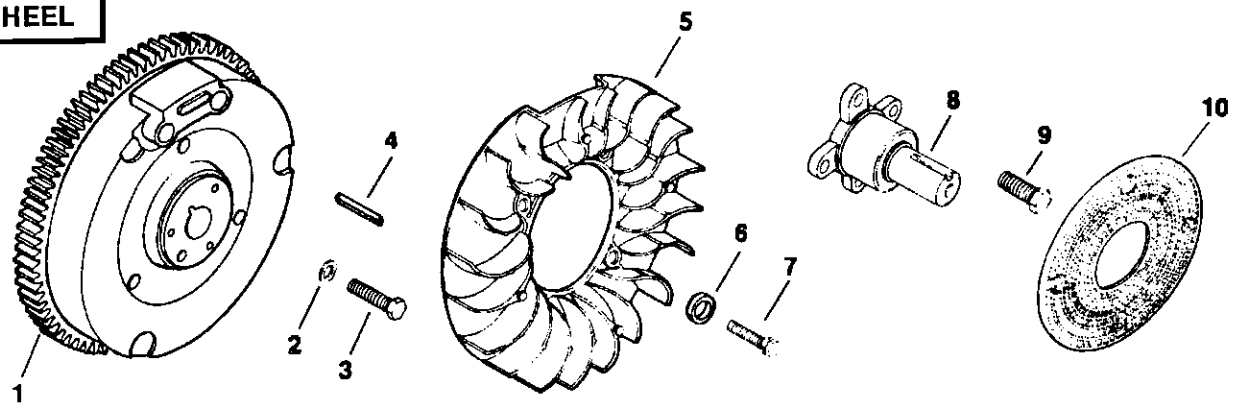
NOTE: All component dimensions given in U.S. inches
1 inch = 25.4 mm

REPAIR PARTS

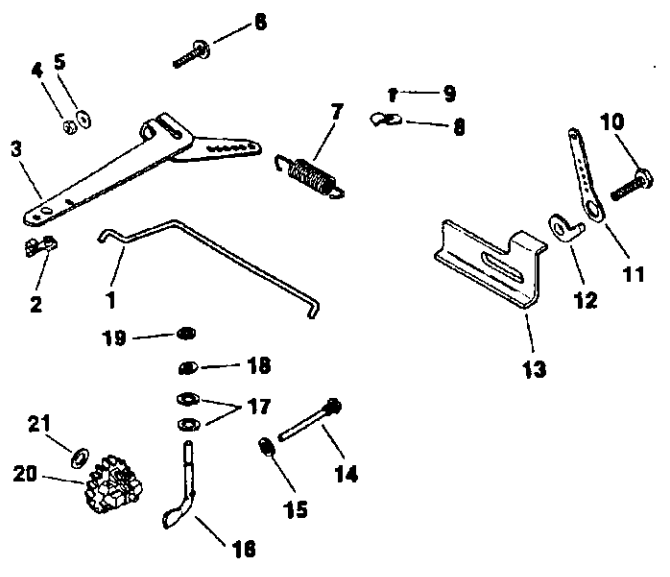
20 HP TRACTOR - - MODEL NUMBER 917.250050

KOHLER ENGINE - MODEL NUMBER M20QS, TYPE NUMBER 49622

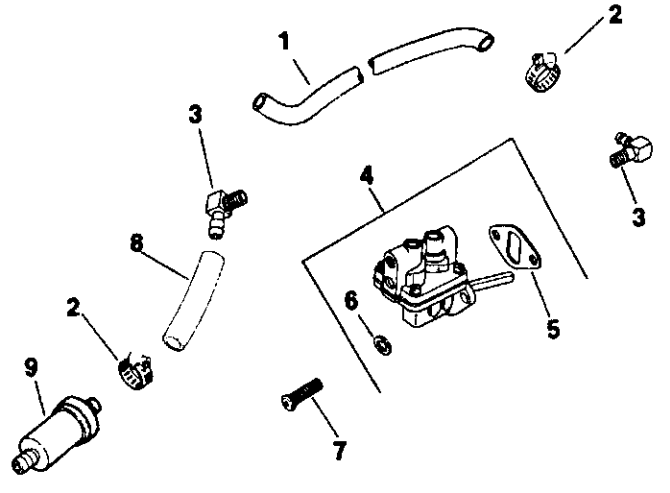
FLYWHEEL



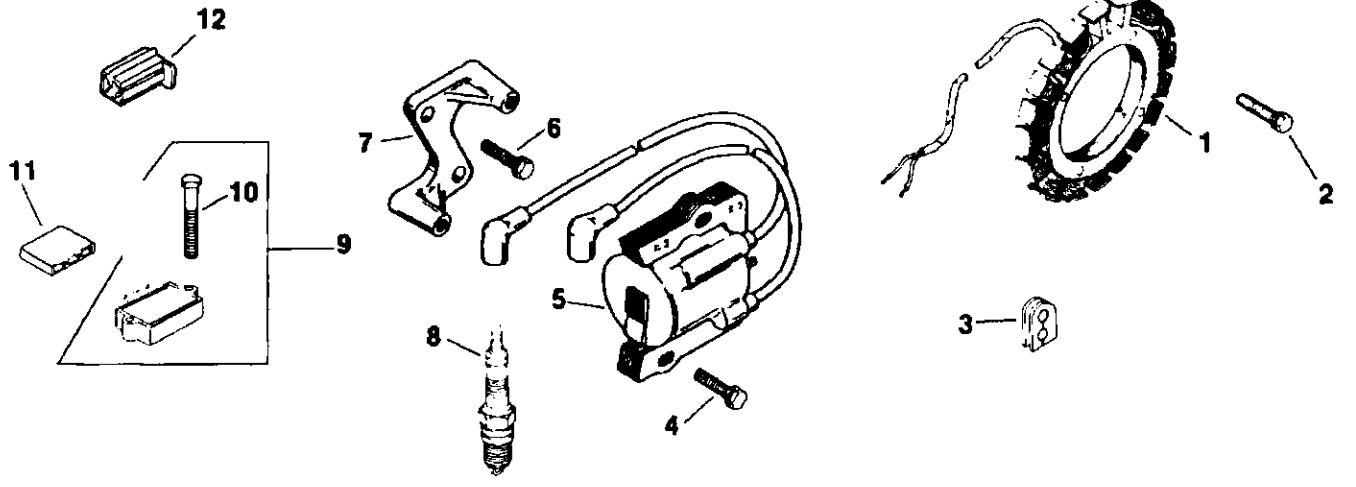
GOVERNOR



FUEL PUMP



IGNITION



REPAIR PARTS

20 HP TRACTOR - - MODEL NUMBER 917.250050

KOHLER ENGINE - MODEL NUMBER M20QS, TYPE NUMBER 49622

FLYWHEEL

KEY PART NO. NO.	DESCRIPTION
1 52 025 36	Flywheel
2 52 468 15	Washer, Plain
3 25 086 24	Screw, Hex Machine 3/8-24 x 1-1/4
4 X-286-17	Key, Square 3/16 x 7/8
5 25 157 01	Fan
6 25 112 04	Spacer (4)
7 25 086 21	Screw, Hex Washer Head 1/4-20 x 5/8 (4)
8 237373	Shaft, Front Drive
9 X-159-2	Screw, Hex Cap 3/8-16 x 1 (4)
10 25 162 02	Screen, Grass

GOVERNOR

KEY PART NO. NO.	DESCRIPTION
1 82 755 07	Kit, Governor Linkage
2 25 158 11	Bushing, Governor Linkage (2)
3 52 186 06	Arm, Governor
4 X-81-1	Nut, Hex 1/4-20
5 X-25-72	Washer, Plain 1/4
6 52 211 04	Screw, Round Head, Square Neck 1/4-20 x 1
7 52 091 04	Spring, Governor
8 235778	Clamp, Cable (2)
9 X-67-97	Screw, Hex Washer Head #10-24 x 3/8 (2)
10 X-67-62	Screw, Hex Washer Head 1/4-20 x 3/4
11 52 119 01	Lever, Speed Control
12 234614	Stop, Governor
13 52 531 02	Stop, High Speed
14 231355	Pin, Governor Stop
15 X-25-12	Washer, Plain 1/4
16 52 078 04	Shaft, Governor, Cross
17 X-25-102	Washer, Plain (2)
18 X-269-28	Retainer, Governor
19 X-25-63	Washer, Plain 1/4
20 A-235743-S	Kit, Governor Gear
21 237022	Washer

FUEL PUMP

KEY PART NO. NO.	DESCRIPTION
1 52 353 04	Line, Fuel, 6-3/4" Long
2 X-426-9	Clamp, Hose (4)
3 25 155 02	Connector, Hose (2)
4 52 559 01	Pump, Fuel Assembly (Includes Key Numbers 5 and 6)
5 25 041 05	Gasket, Fuel Pump
6 X-25-63	Washer, Plain 1/4 (2)
7 47 086 08	Screw, Pozidriv, Truss Head 1/4-20 x 5/8 (2)
8 25 353 03	Line, Fuel, 13-1/2" Long
9 25 050 03	Filter, Fuel

IGNITION

KEY PART NO. NO.	DESCRIPTION
1 237878	Kit, Stator
2 X-67-51	Screw, Hex Cap #10-24 x 3/4 (2)
3 52 313 02	Grommet
4 25 086 15	Screw, Hex Washer Head 1/4-20 x 1 (2)
5 52 584 02	Module, Ignition
6 25 086 16	Screw, Hex Washer Head 1/4-20 x 7/8 (2)
7 52 126 08	Bracket, Module
8 51 132 02	Spark Plug (2)
9 25 755 03	Kit, Rectifier-Regulator (Includes Key Number 10)
10 X-132-5	Screw, Hex Cap 1/4-20 x 5/8 (2)
11 236602	Connector
12 236473	Connector
NOT ILLUSTRATED	
-- 25 518 21	Lead, Red, Rectifier-Regulator (5", 14 Gauge, Uninsulated Push On Tab Terminals)
-- 52 518 22	Lead, Black, Module To Connector (12-1/2", 18 Gauge, Insulated Push On Tab, Uninsulated Push On Tab Terminals)

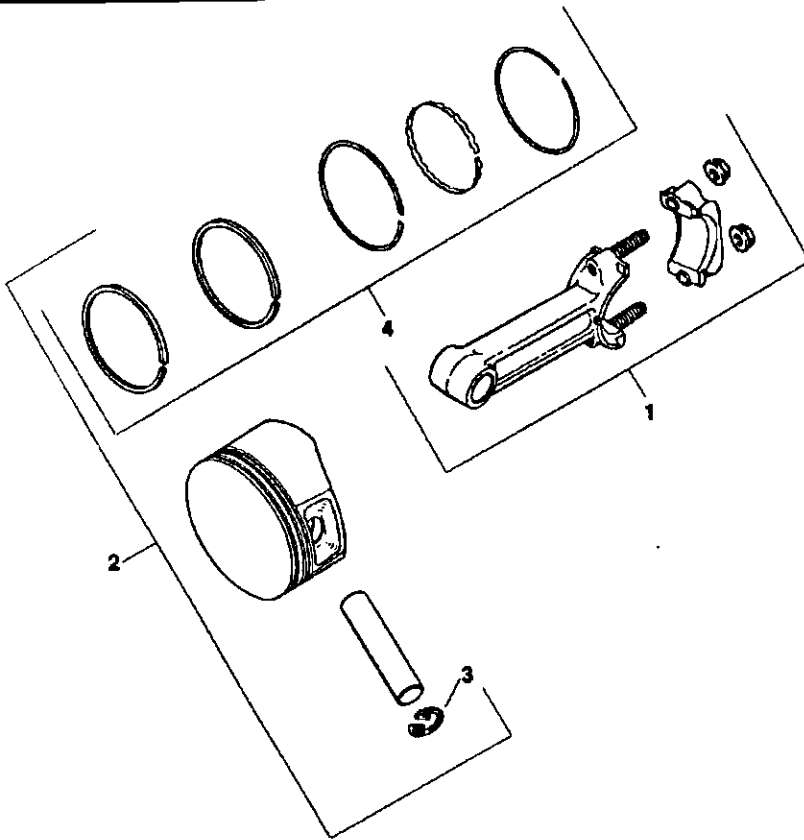
NOTE: All component dimensions given in U.S. inches
1 inch = 25.4 mm

REPAIR PARTS

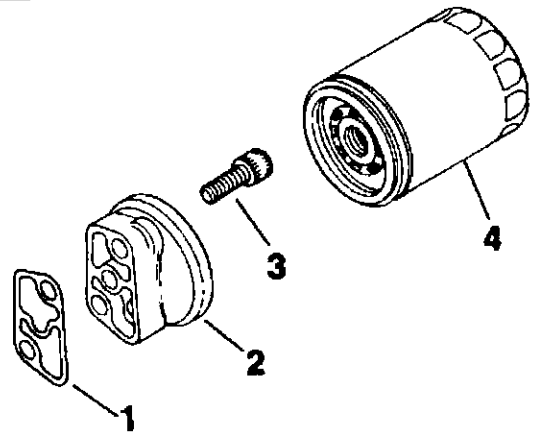
20 HP TRACTOR - - MODEL NUMBER 917.250050

KOHLER ENGINE - MODEL NUMBER M20QS, TYPE NUMBER 49622

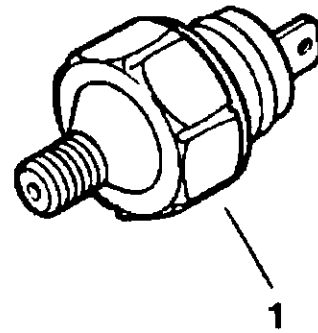
PISTON AND ROD



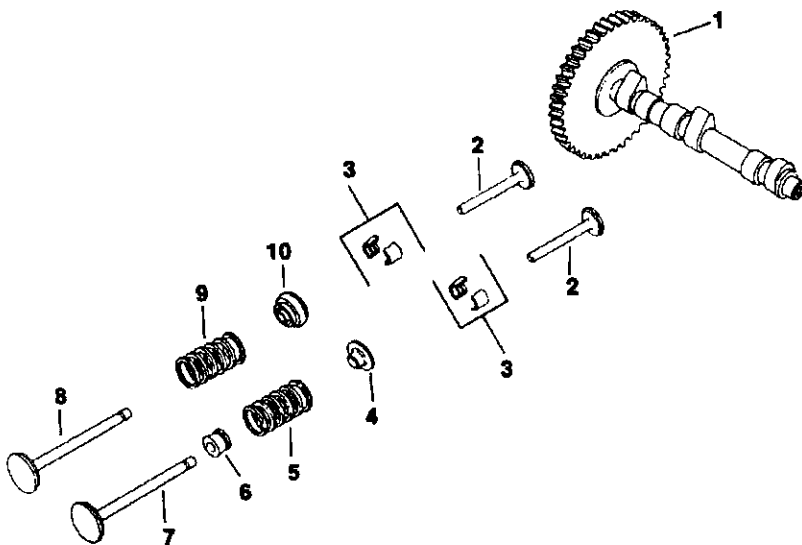
OIL FILTER



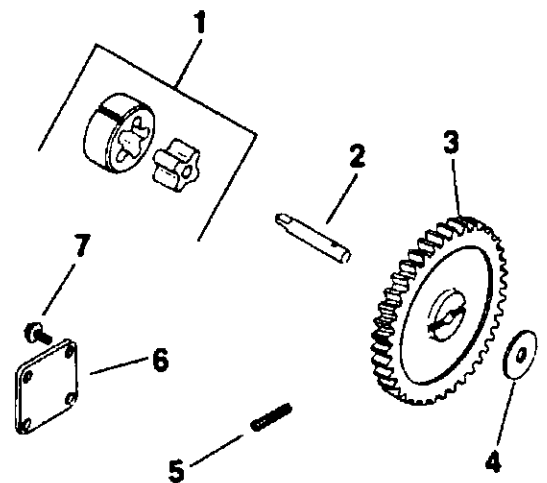
OIL SWITCH



CAMSHAFT AND VALVES



OIL PUMP



REPAIR PARTS

20 HP TRACTOR - - MODEL NUMBER 917.250050

KOHLER ENGINE - MODEL NUMBER M20QS, TYPE NUMBER 49622

PISTON & ROD

KEY PART NO.	NO.	DESCRIPTION
1	52 067 71	Connecting Rod, Standard (2)
	52 067 72	Connecting Rod .010" (2)
2	52 874 16	Piston with Ring Set, Standard (2)
	52 874 17	Piston with Ring Set .003" (2)
	52 874 18	Piston with Ring Set .010" (2)
	52 874 19	Piston with Ring Set .020" (2)
	52 874 20	Piston with Ring Set .030" (2)
3	52 141 01	Retainer, Piston Pin (4)
4	52 108 09	Ring Set, Standard and .003" (2)
	52 108 10	Ring Set .010" (2)
	52 108 11	Ring Set .020" (2)
	52 108 12	Ring Set .030" (2)

CAMSHAFT & VALVES

KEY PART NO.	NO.	DESCRIPTION
1	52 012 09	Camshaft
2	52 019 03	Tappet (4)
3	41 755 10	Kit, Retainer (4)
4	230011	Retainer, Intake Valve (2)
5	25 089 01	Spring, Intake Valve (2)
6	52 032 13	Seal, Intake Valve Stem (2)
7	52 017 07	Valve, Intake (2)
8	52 016 06	Valve, Exhaust (2)
9	25 089 01	Spring, Exhaust Valve (2)
10	52 413 01	Rotator, Exhaust Valve (2)

OIL FILTER

KEY PART NO.	NO.	DESCRIPTION
1	52 041 16	Gasket, Oil Filter
2	52 181 03	Adapter, Oil Filter
3	X-55-15	Screw, Hex Socket Head 5/16-18 x 1-1/4 (2)
4	52 050 02	Oil Filter

LOW OIL PRESSURE SWITCH

KEY PART NO.	NO.	DESCRIPTION
1	52 099 06	Oil Pressure Switch

NOT ILLUSTRATED

--	52 518 08	Lead (21", 18 Gauge, Insulated Push-On Tab And Uninsulated Push-On Tab Terminals)
--	25 113 05	Decal, Oil Sentry

OIL PUMP

KEY PART NO.	NO.	DESCRIPTION
1	52 393 09	Rotor Set
2	52 144 05	Shaft, Oil Pump
3	52 043 05	Gear, Oil Pump
4	52 422 01	Spacer, Shim (A.R., Maximum of 2)
5	X-280-25	Pin, Roll
6	52 096 03	Cover, Oil Pump
7	X-67-64	Screw, Hex Washer Head #10-32 x 7/16 (4)

NOT ILLUSTRATED

KEY PART NO.	NO.	DESCRIPTION
--	52 522 77	Short Block
--	52 755 94	Gasket Set

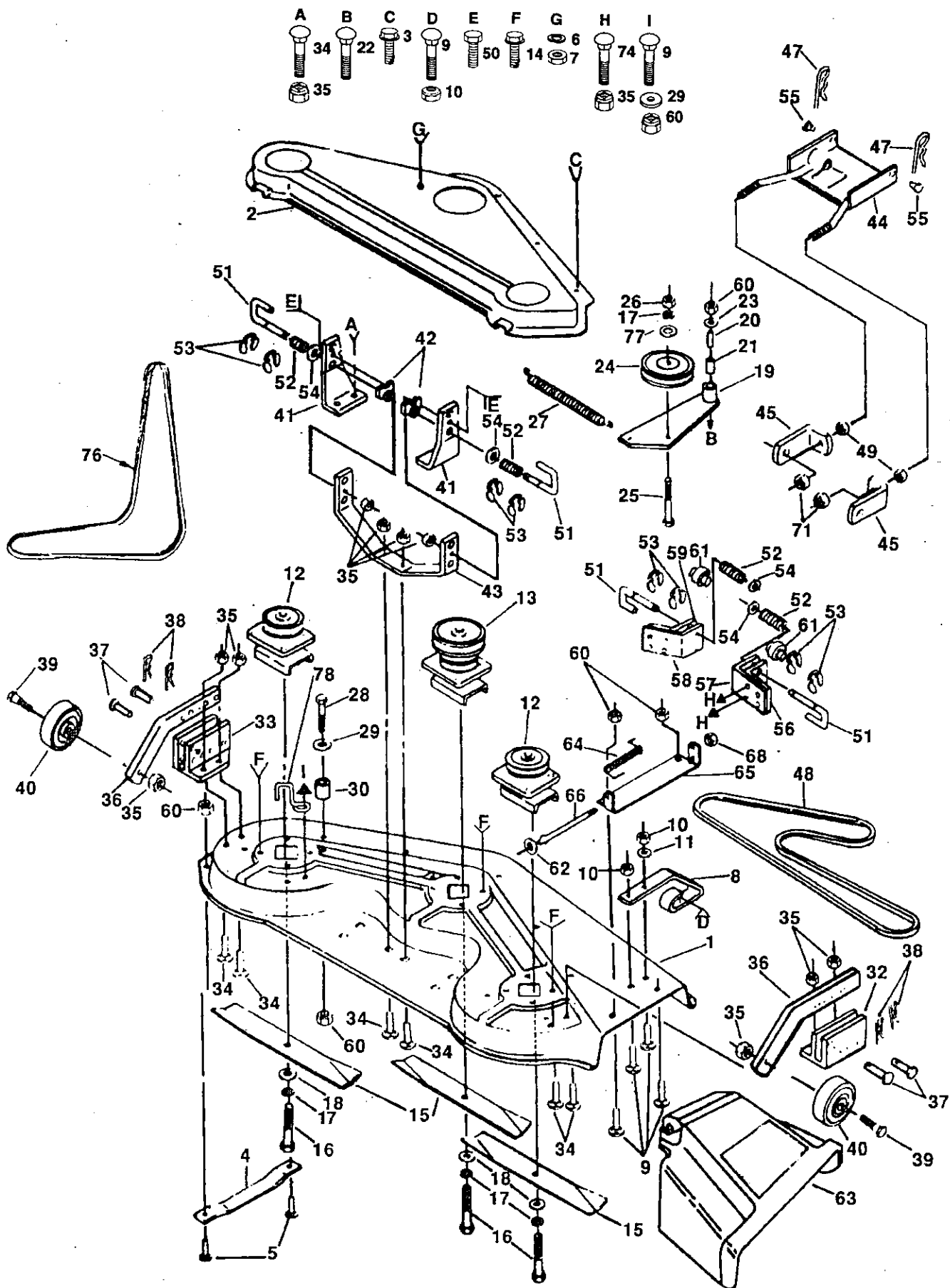
NOTE: All component dimensions given in U.S. inches
1 inch = 25.4 mm

SERVICE NOTES

REPAIR PARTS

50" REPLACEMENT DECK - - MODEL NUMBER 917.253891

MOWER



REPAIR PARTS

50" REPLACEMENT DECK - - MODEL NUMBER 917.253891

MOWER

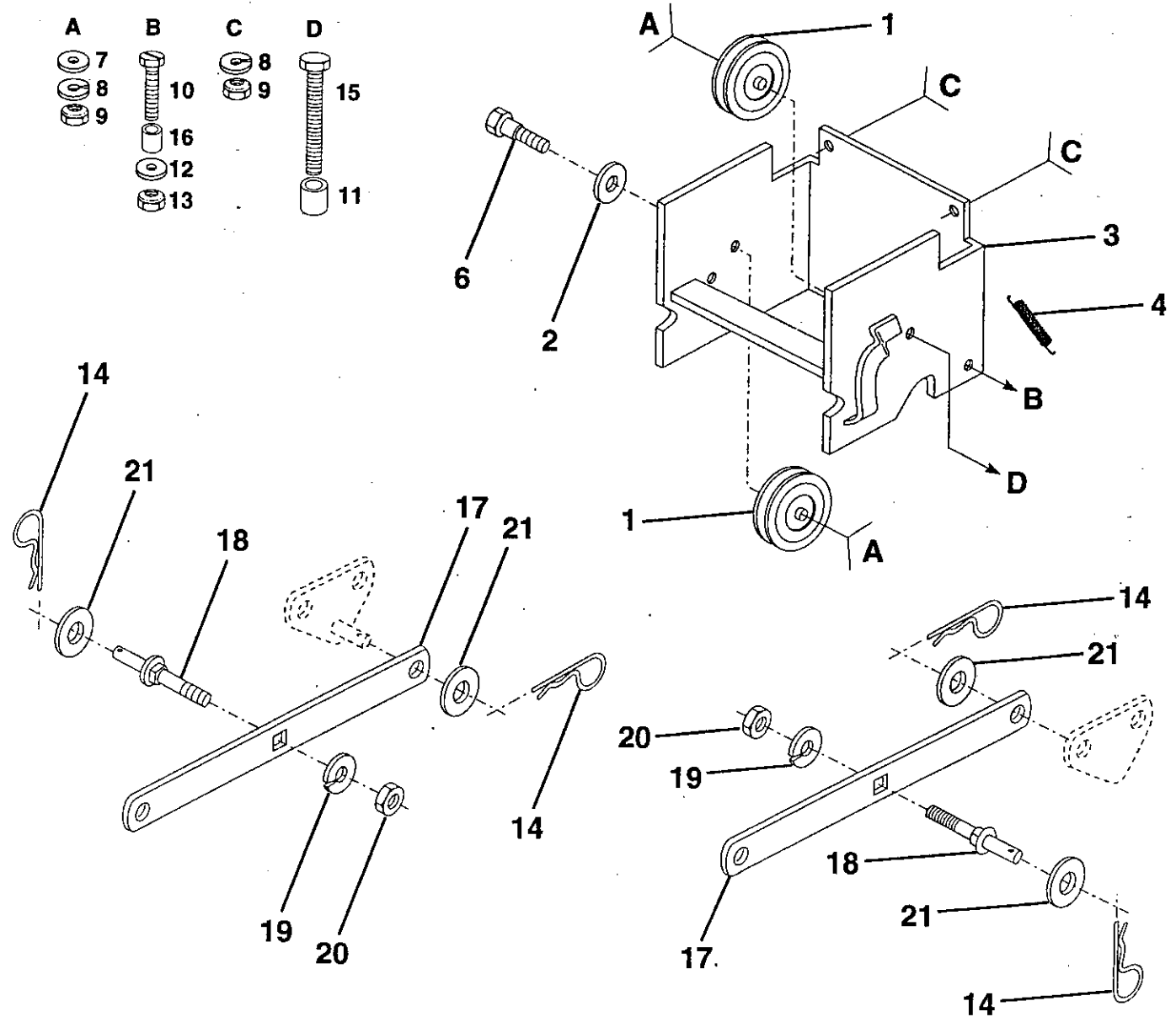
KEY PART NO. NO.	DESCRIPTION	KEY PART NO. NO.	DESCRIPTION
1 121664X	Housing, Mower	39 137644	Bolt, Shoulder
2 121811X	Cover, Drive, Mower Deck	40 133957	Wheel, Gauge
3 17490508	Screw, Hex Washer Head, Thd., Roll. 5/16-18 x 1/2	41 105433X	Bracket, Suspension
4 7631J	Runner, L.H.	42 110237X	Spacer
5 72110505	Bolt, Carriage 5/16-18 x 5/8	43 105434X	Brace, Suspension
6 STD551131	Washer, Lock 5/16	44 105436X	Parallel Link
7 STD541031	Nut, Hex 5/16-18	45 105441X	Bracket, Suspension
8 120449X	Runner, R.H.	47 3146R	Spring, Retainer
9 72140506	Bolt, Carriage 5/16-18 x 3/4	48 3703J	V-Belt
10 1685H	Locknut 5/16-18	49 73680800	Nut Crownlock 1/2-13
11 STD551031	Washer 11/32 x 11/16 x 16 Gauge	50 74760622	Bolt, Hex Head 3/8-16 x 1-3/8
12 136818	Mandrel, Secondary	51 105435X	Pin, Release
13 121617X	Mandrel, Primary	52 3720R	Spring
14 17490612	Screw, Hex Washer Head, Thd., Roll. 3/8-16 x 3/4	53 12000039	Klip Ring
15 121798X	Blade	54 19171612	Washer 17/32 x 1 x 12 Gauge
16 STD623715	Bolt, Hex 3/8-24 x 1-1/2 Grade 5	55 105440X	Pin, Clevis
17 STD551137	Washer, Lock 3/8	56 105458X	Bracket, Outer, R.H.
18 19132012	Washer 13/32 x 1-1/4 x 12 Gauge	57 105460X	Bracket, Inner, R.H.
19 674A213	Idler Arm Assembly	58 110998X	Bracket, Inner, L.H.
20 7834J	Liner, Bearing	59 120000X	Bracket, Outer, L.H.
21 7835J	Bearing	60 73680500	Nut, Crownlock 5/16-18
22 72110522	Bolt, Carriage 5/16-18 x 2-3/4	61 120135X	Spacer
23 19111816	Washer 11/32 x 1-1/8 x 16 Gauge	62 19111016	Washer 11/32 x 5/8 x 16 Gauge
24 102403X	Pulley, Idler	63 110509X	Shield, Deflector
25 STD523715	Bolt, Hex Head 3/8-16 x 1-1/2	64 123713X	Spring, Deflector
26 STD541037	Nut, Hex 3/8-16	65 137607	Bracket, Deflector
27 104361X	Spring	66 106735X	Rod, Hinge
28 STD523112	Bolt, Hex 5/16-18 x 1-1/4 Grade 5	68 110452X	Nut, Push
29 19111216	Washer 11/32 x 3/4 x 16 Gauge	71 73220800	Nut, Hex 1/2-13
30 8438J	Spacer	74 72240608	Bolt, Carriage 3/8-16 x 1
32 105448X	Bracket, Gauge Wheel, R.H.	76 110884X	V-Belt
33 105449X	Bracket, Gauge Wheel, L.H.	77 19131614	Washer 13/32 x 1 x 14 Gauge
34 STD533707	Bolt, Carriage 3/8-16 x 3/4	78 121352X	Keeper, Belt
35 73680600	Nut, Crownlock 3/8-16	-- 136833	Decal, V-Belt Drive Schematic
36 105453X	Bar, Gauge Wheel	-- 121343X	Decal, Danger
37 5565J	Pin, Clevis		
38 4939M	Retainer, Spring		

NOTE: All component dimensions given in U. S. inches.
1 inch = 25.4 mm

REPAIR PARTS

50" REPLACEMENT DECK - - MODEL NUMBER 917.253891

ATTACHING PARTS



KEY PART NO. NO.

KEY PART NO. NO.	DESCRIPTION
1	677A451 Pulley, Idler
2	19132007 Washer 13/32 x 1-1/4 x 7 Gauge
3	120542X Bracket, Idler
4	7190J Spring
5	108367X Decal, Adjustment
6	74760632 Bolt, Hex Head 3/8-16 x 2
7	19131413 Washer 13/32 x 7/8 x 13 Gauge
8	10040600 Washer, Lock 3/8
9	73220600 Nut, Hex 3/8-16
10	74930516 Bolt, Hex Head 5/16-18 x 1
11	100644K Bushing, Handle, Clutch
12	19111416 Washer 11/32 x 7/8 x 16 Gauge
13	73680500 Locknut 5/16-18

KEY PART NO. NO.

KEY PART NO. NO.	DESCRIPTION
14	9135R Retainer Spring
15	74760636 Bolt, Hex Head 3/8-16 x 2-1/4
16	102933X Spacer
17	105429X Arm, Suspension
18	105413X Stud, Pivot, Center
19	10040800 Washer, Lock 1/2
20	73220800 Nut, Hex 1/2-13
21	19171616 Washer 17/32 x 1 x 16 Gauge
--	139567 Manual, Owner's

NOTE: All component dimensions given in U. S. inches.
1 inch = 25.4 mm

