

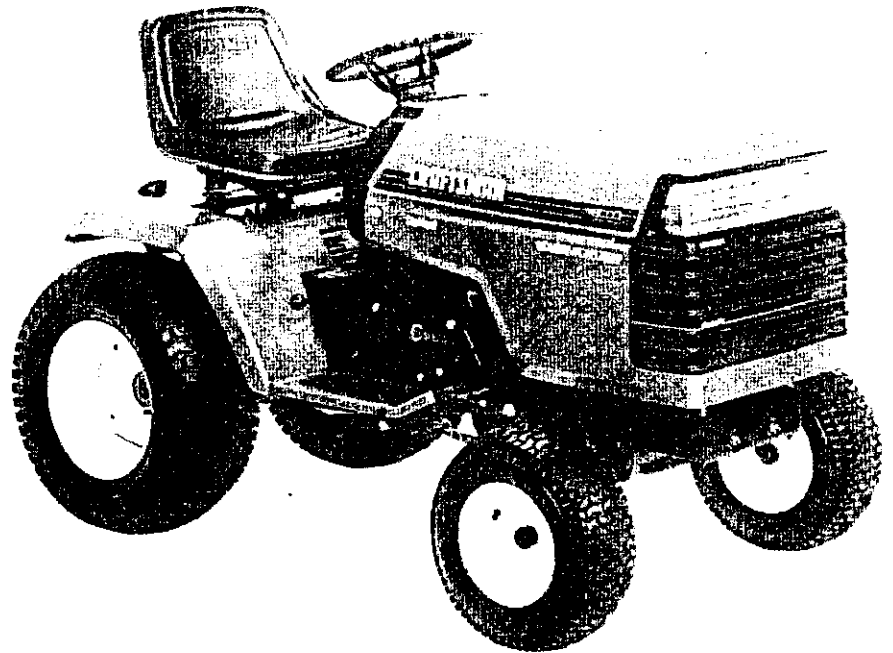
SEARS

CRAFTSMAN

MODEL NUMBER 917.250051 OWNER'S MANUAL

- **Assembly**
- **Operation**
- **Customer Responsibilities**
- **Service**
- **Adjustments**
- **Repair Parts**

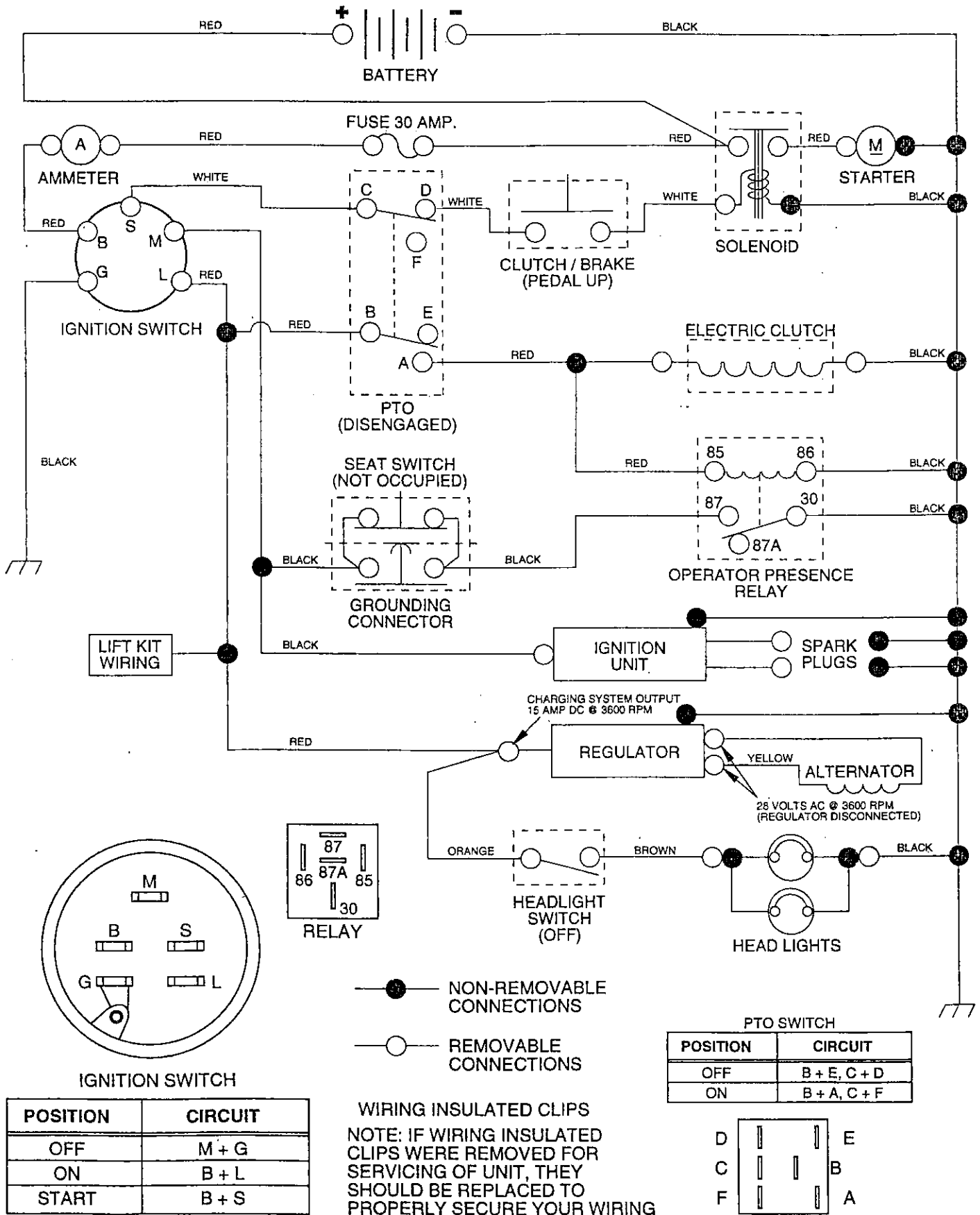
Caution:
Read and Follow
all Safety Rules
and Instructions
Before Operating
This Equipment



Sears, Roebuck and Co., Hoffman Estates, IL 60179 U.S.A.

20 HP TRACTOR - - MODEL NUMBER 917.250051

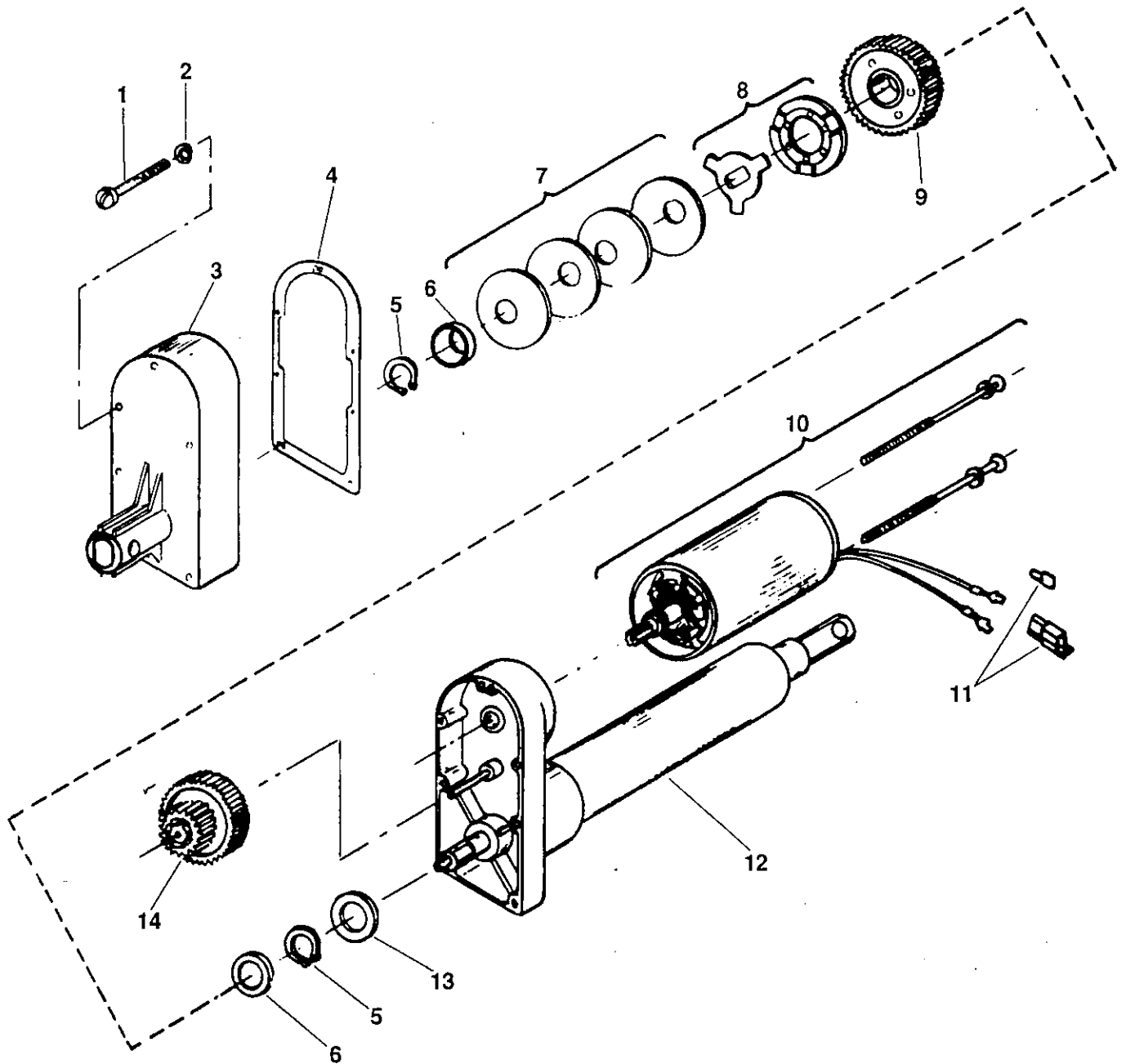
SCHEMATIC



REPAIR PARTS

20 HP TRACTOR -- MODEL NUMBER 917.250051

ELECTRIC LIFT ACTUATOR



KEY NO.	PART NO.	DESCRIPTION
1	1862J	Screw - Sl. Fil. Hd. Mach. No. 10-32 x 1-5/8
2	1863J	Lockwasher - No. 10
3	8331J	Housing Cover
4	1857J	Cover Gasket
5	1865J	Snap Ring
6	1864J	Retaining Ring
7	677A149	Spring Washer (Use 3 or 4 as req'd.)

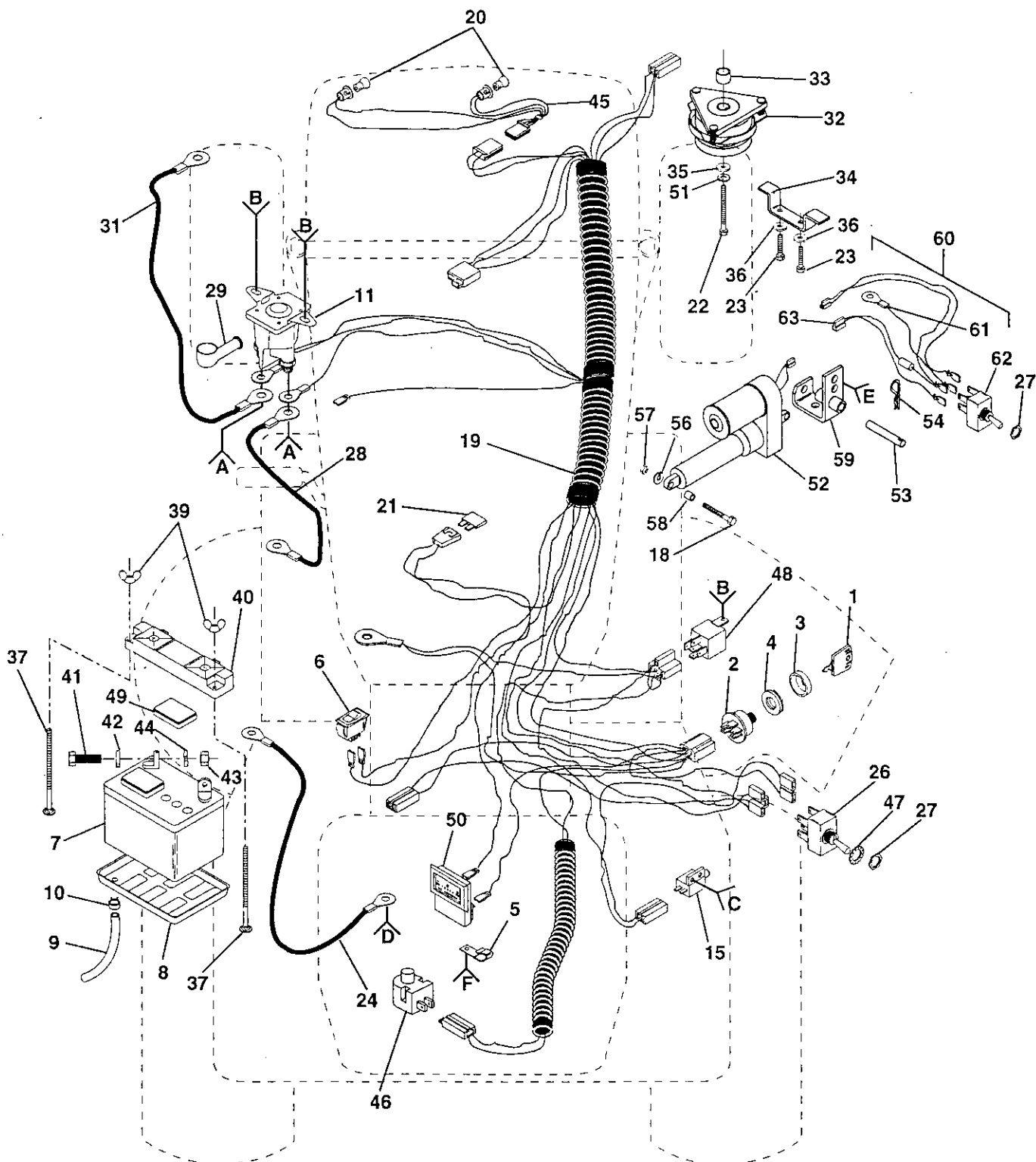
KEY NO.	PART NO.	DESCRIPTION
8	674A281	Pawl & Ramp Washer
9	1859J	Out put Gear
10	1861J	Motor - 12V
11	673A218	Connector Body Kit
12	---	Not Serviced Separately Order complete actuator Part# 124371X
13	1860J	Thrust Washer
14	1858J	Intermediate Gear

REPAIR PARTS

20 HP TRACTOR -- MODEL NUMBER 917.250051

ELECTRICAL

- | | | | | | |
|----------|----------|----------|----------|----------------|----------|
| A | B | C | D | E | F |
| 12
13 | 14 | 16
17 | 25 | 55
56
57 | 30
17 |



REPAIR PARTS

20 HP TRACTOR - - MODEL NUMBER 917.250051

ELECTRICAL

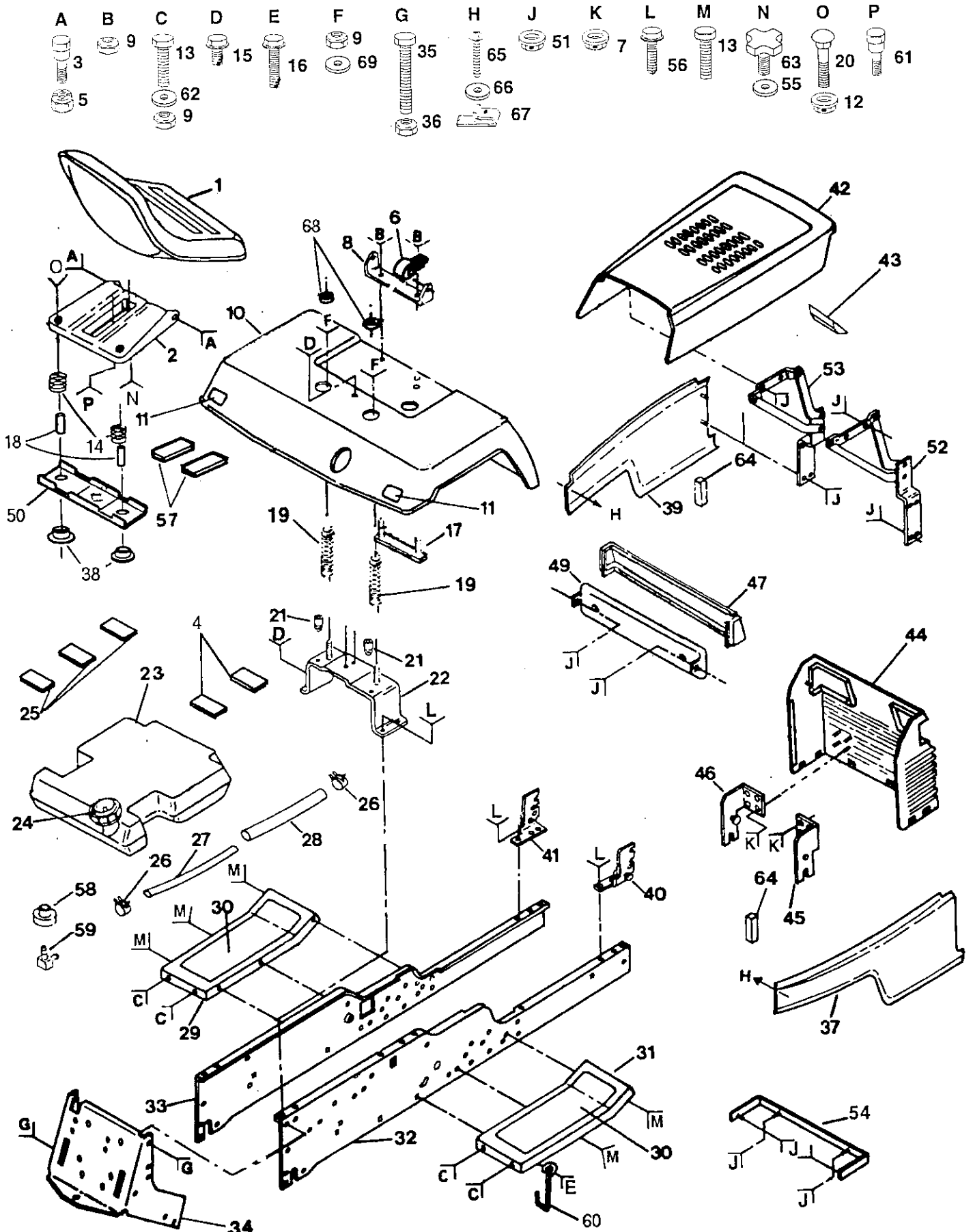
KEY PART NO. NO.	DESCRIPTION	KEY PART NO. NO.	DESCRIPTION
1 109310X	Key	34 110882X	Stop, Clutch
2 STD365402	Switch, Ignition	35 126197X	Washer 1-1/2 x 15/32 x .250
3 123620X	Cover, Key Switch	36 STD551137	Washer, Lock 3/8
4 124211X	Nut, Ignition	37 72240460	Bolt, Carriage 1/4-20 x 7-1/2
5 4171R	Clip	39 123198X	Nut, Wing 1/4-20
6 110712X	Switch, Light	40 102476X	Guard, Terminal
7 121537X	Battery	41 STD522507	Bolt, Hex Head 1/4-20 x 3/4
8 7603J	Tray, Battery	42 STD551025	Washer 9/32 x 5/8 x 16 Gauge
9 7697J	Tube, Battery Drain	43 STD541025	Nut, Hex 1/4-20
10 109596X	Clamp, Hose	44 STD551125	Washer, Lock 1/4
11 138406	Solenoid	45 136850	Harness, Light Socket (Includes Key #20)
12 10090400	Washer, Lock 1/4	46 121305X	Switch, Plunger
13 STD541225	Nut, Hex, Jam 1/4-20	47 19171216	Washer 17/32 x 3/4 x 16 Gauge
14 17720408	Screw Thd. Cut. 1/4-20 x 1/2 TY23	48 109748X	Relay, Operator Presence
15 104445X	Switch, Interlock	49 121264X	Cap Set, Battery
16 71031008	Screw, Hex Washer Head #10-32 x 1/2	50 122822X	Ammeter
17 73951000	Nut, Hex, Keps #10-32	51 10040700	Washer, Lock, Heavy Helical Spring 7/16
18 74520636	Bolt, Hex 3/8-16 x 2-1/4 Grade 5	52 124371X	Actuator, Electric
19 139207	Harness, Ignition	53 7085J	Pin, Actuator
20 4152J	Bulb, Headlight	54 4940M	Retainer, Spring
21 108824X	Fuse	55 72110608	Bolt, Carriage 3/8-16 x 1 Grade 5
22 71130724	Bolt, Hex Head, Fin. 7/16-20 UNF x 1-1/2 Grade 8	56 10040600	Washer, Lock Hvy Hlcl Spr 3/8
23 STD523707	Bolt, Hex Head 3/8-16 x 3/4	57 73220600	Nut, Hex 3/8-16
24 121080X	Cable, Ground	58 5950J	Bushing
25 11050600	Washer, Lock, External Tooth 3/8	59 677A886	Bracket Asm. Actuator
26 4021J	Switch, P.T.O.	60 131133	Harness Asm. Lift Switch
27 4022J	Nut, Hex	61 9698R	Ground Wire
28 4799J	Cable, Battery	62 8984R	Lift Switch
29 131563	Cover Terminal	63 127017X	Lift Harness
30 74641008	Screw #10-32 x 1/2		
31 129458	Cable, Starter		
32 127170X	Clutch, Electric		
33 128224	Spacer, Clutch		

NOTE: All component dimensions given in U.S. inches
1 inch = 25.4 mm

REPAIR PARTS

20 HP TRACTOR -- MODEL NUMBER 917.250051

CHASSIS AND ENCLOSURES



REPAIR PARTS

20 HP TRACTOR - - MODEL NUMBER 917.250051

CHASSIS AND ENCLOSURES

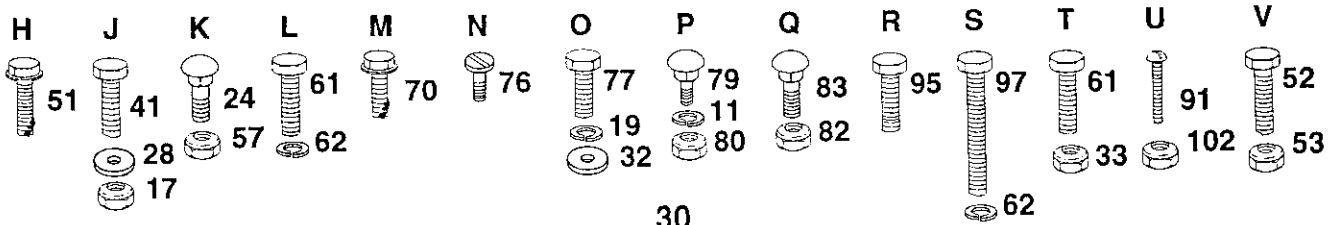
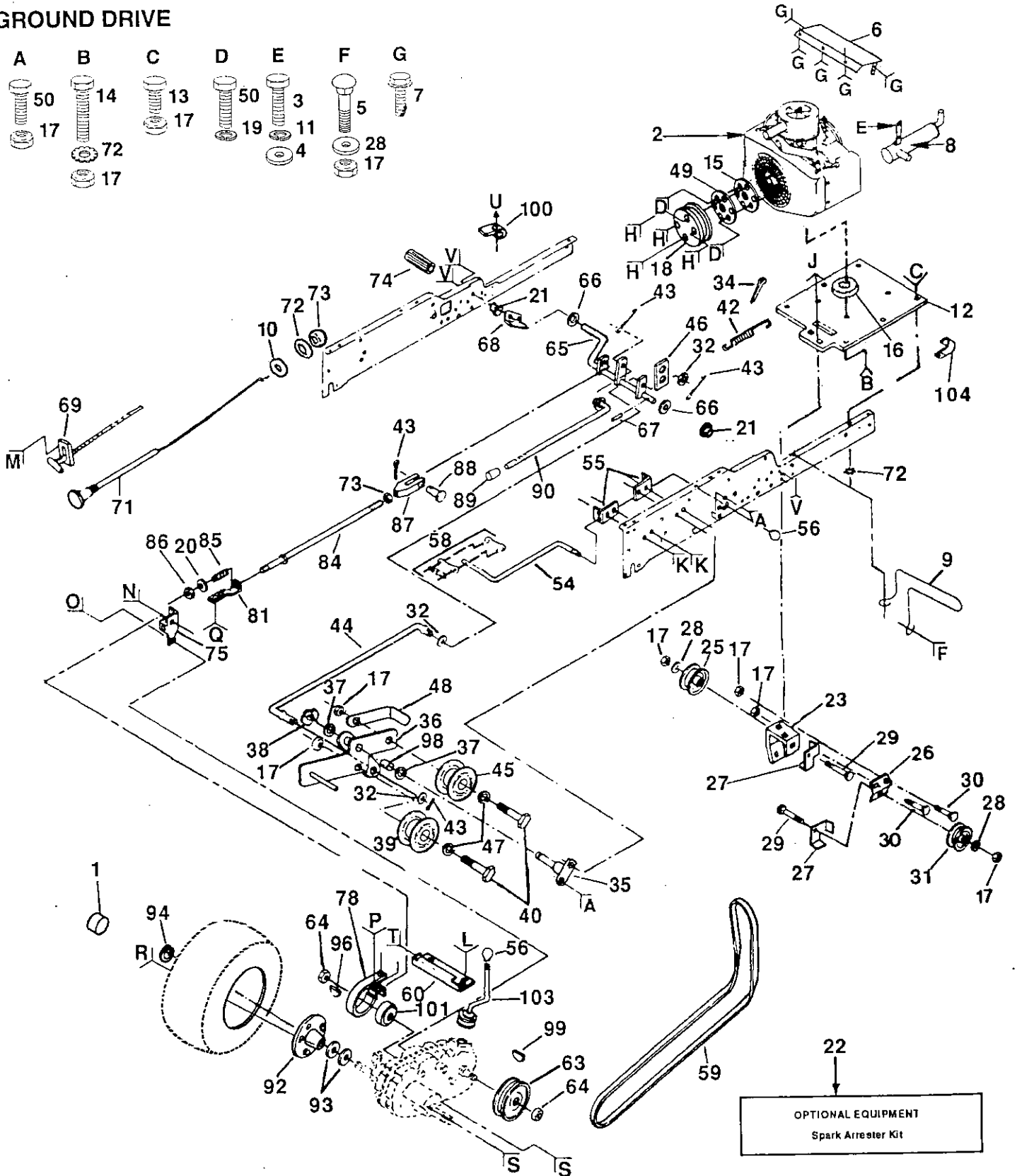
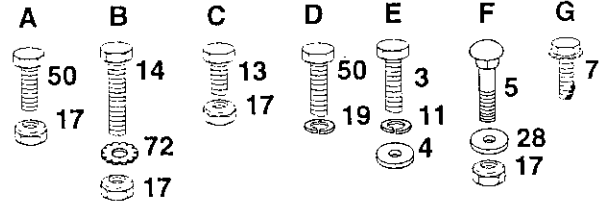
KEY PART NO. NO.	DESCRIPTION	KEY PART NO. NO.	DESCRIPTION
1	127439	Seat	
2	131451	Pan, Seat	
3	105529X	Bolt, Shoulder	
4	109227X	Pad, Spacer	
5	73680500	Nut, Crownlock 5/16-18	
6	2751R	Clip	
7	120579X	Nut, Pal	
8	126656X	Bracket, Pivot, Seat	
9	73680600	Locknut 3/8-16	
10	121642X459	Fender	
11	106202X	Reflector, Taillight	
12	123976X	Nut, Hex Flange Head 1/4-20	
13	STD523707	Bolt, Hex Head 3/8-16 x 3/4	
14	123740X	Spring	
15	17490608	Screw, Hex Washer Head, Thd., Roll. 3/8-16 x 1/2	
16	17490616	Screw, Hex Washer Head, Thd., Roll. 3/8-16 x 1	
17	105511X	Strap, Fender	
18	121249X	Spacer, Split	
19	124181X	Spring, Compression	
20	72050411	Bolt, Carriage 1/4-20 x 1-3/8	
21	105531X	Nut, Push	
22	105509X	Bracket, Fender	
23	127334X	Fuel Tank	
24	123549X	Cap, Fuel Tank	
25	106082X	Pad, Spacer	
26	123487X	Clamp, Hose	
27	7834R	Line, Fuel	
28	7833R	Line, Fuel	
29	105465X459	Footrest, L.H.	
30	105466X	Pad, Footrest	
31	105464X459	Footrest, R.H.	
32	138597	Rail, Frame, R.H.	
33	110893X	Rail, Frame, L.H.	
34	7982J	Drawbar	
35	74760716	Bolt, Hex Head 7/16-14 x 1	
36	73800600	Locknut 7/16-14	
37	108403X459	Side Panel, R.H.	
38	121248X	Bushing, Snap	
39	108410X459	Side Panel, L.H.	
40	130523	Bracket, Pivot, Frame, R.H.	
41	121055X	Bracket, Pivot, Frame, L.H.	
42	106013X459	Hood	
43	136532	Bumper Hood	
44	120153X	Grill	
45	108512X	Bracket, Grill Pivot, R.H.	
46	108513X	Bracket, Grill Pivot, L.H.	
47	110898X	Lens, Headlight Bar	
49	132257	Bezel	
50	121246X	Bracket, Switch	
51	108067X	Nut, Pal	
52	106091X	Hinge, R.H.	
53	106090X	Hinge, L.H.	
54	110350X459	Strap, Grill	
55	19171912	Washer 17/32 x 1-3/16 x 12 Gauge	
56	17490612	Screw, Hex Head, Thd., Roll. 3/8-16 x 3/4	
57	121251X	Strip, Foam	
58	3645J	Bushing	
59	139277	Stem, Fuel Tank	
60	105500X	Retainer, Belt, Lower	
61	127018X	Bolt, Shoulder 5/16-18 UNC	
62	19131312	Washer 13/32 x 13/16 x 12 Gauge	
63	120068X	Knob	
64	106088X	Strip, Foam	
65	106909X	Screw, Special	
66	106910X	Washer	
67	108402X	U-Clip	
68	124238X	Cap, Spring	
69	19131614	Washer 13/32 x 1 x 14 Gauge	

NOTE: All component dimensions given in U.S. inches
1 inch = 25.4 mm

REPAIR PARTS

20 HP TRACTOR - - MODEL NUMBER 917.250051

GROUND DRIVE



REPAIR PARTS

20 HP TRACTOR - - MODEL NUMBER 917.250051

GROUND DRIVE

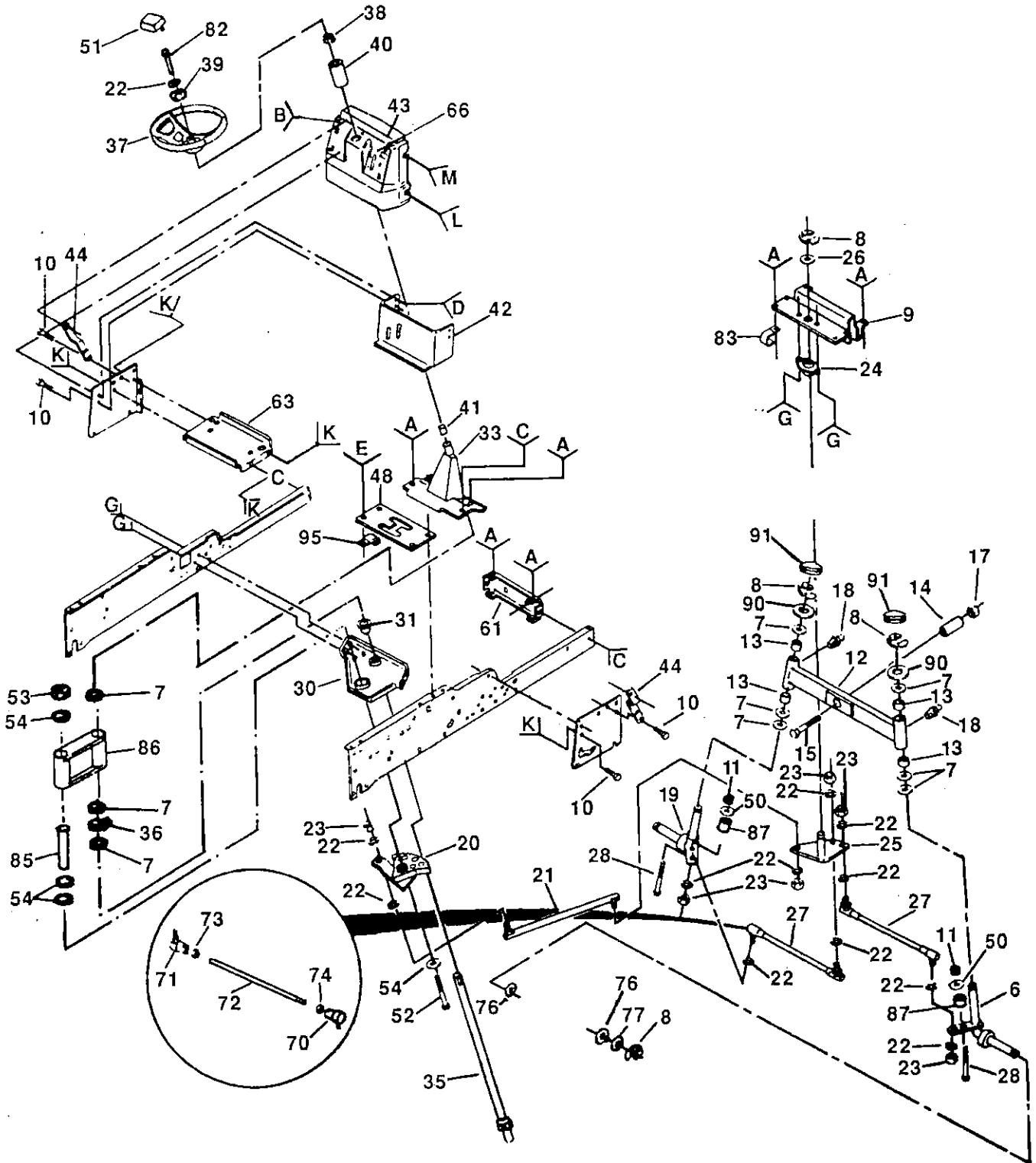
KEY PART NO. NO.	DESCRIPTION	KEY PART NO. NO.	DESCRIPTION
1 136327	Cover, Wheel Hub	53 73680400	Nut, Crownlock 1/4-20
2 139360	Engine, Kohler, 20 HP, Model No. M20QS, Type No. 49634	54 122253X	Rod, Shift, Hi-Lo
3 74780412	Bolt, Hex Head 1/4-20 x 3/4	55 105598X	Bracket, Shift Rod
4 19091212	Washer 9/32 x 3/4 x 12 Gauge	56 106932X	Knob
5 72140610	Bolt, Carriage 3/8-16 x 1-1/4	57 73680500	Locknut 5/16-18
6 128124	Heat Shield, Front	58 122268X	Clip, Spring, Connecting Link
7 17720408	Screw, Hex Head, Thread Cutting 1/4-20 x 1/2	59 110883X	V-Belt
8 127881	Muffler	60 120404X	Bracket, Support, Transaxle
9 108885X	Guard, Muffler	61 74760716	Bolt, Hex Head 7/16-14 x 1
10 19132616	Washer 13/32 x 1-5/8 x 16 Gauge	62 STD551143	Washer, Lock 7/16
11 STD551125	Washer, Lock 1/4	63 137524	Pulley, Transaxle
12 110867X	Base, Engine	64 9204H	Locknut 1/2-20
13 STD523707	Bolt, Hex Head 3/8-16 x 3/4	65 104375X	Shaft, Foot Pedal
14 74780624	Bolt 3/8-16 x 1-1/2	66 121749X	Washer 25/32 x 1-1/4 x 16 Gauge
15 110947X	Guard, Chaff	67 STD571812	Pin, Roll 3/16 x 1-14
16 133692	Spacer Plate, Engine Mounting	68 104601X	Bracket, Interlock
17 73680600	Locknut 3/8-16	69 132755	Control, Throttle
18 121355X	Pulley, Ground Drive	70 17720410	Screw, Hex Head, Thread Cutting 1/4-20 x 1
19 STD551137	Washer, Lock 3/8	71 132777	Control, Choke
20 19131614	Washer 13/32 x 1 x 14 Gauge	72 11050600	Washer, Lock, External Tooth 3/8
21 110895X	Nyliner	73 STD541137	Nut, Hex 3/8-24
22 132922	Kit, Spark Arrester.	74 8883R	Cover, Foot Pedal
23 121063X	Bracket, V-Pulley, Mule Drive	75 677A637	Bracket, Brake
24 72140506	Bolt, Carriage 5/16-18 x 3/4	76 74370612	Screw, Machine, Undercut Flat Head 3/8-16 x 3/4
25 101344L	Pulley	77 74760614	Bolt, Hex Head 3/8-16 x 7/8
26 122825X	Bracket, Flat Idler	78 101122M	Band, Brake
27 122824X	Belt Guard, Mule Drive	79 72140405	Bolt, Carriage 1/4-20 x 5/8
28 19131612	Washer 13/32 x 1 x 12 Gauge	80 STD541025	Nut, Hex 1/4-20
29 72110614	Bolt, Carriage 3/8-16 x 1-3/4	81 7229J	Guide, Brake Rod
30 72140606	Bolt, Carriage 3/8-16 x 3/4	82 1685H	Locknut 5/16-18
31 102403X	Idler, Flat	83 STD533110	Bolt, Carriage 5/16-18 x 3/4
32 STD551037	Washer 13/32 x 13/16 x 16 Gauge	84 5308J	Rod, Brake
33 73680700	Nut, Crownlock 7/16-14	85 7241J	Spring, Compression
34 76020816	Pin, Cotter 1/4 x 1	86 73530600	Nut, Crownlock 3/8-24
35 101358K	Clutch Bracket Assembly	87 100604K	Yoke
36 121356X	Bracket, Clutch, with Bearing (Includes Key Number 98)	88 5102J	Pin, Clevis
37 207J	Washer, Hardened	89 124236X	Cap, Plunger
38 12000039	Ring, Klip	90 136284	Rod, Parking Brake
39 121361X	Idler, Grooved	91 74321016	Screw, Fin. #10-24 x 1
40 STD523715	Bolt, Hex Head 3/8-16 x 1-3/4	92 135758X431	Hub, Wheel and Bushing
41 74760620	Bolt, Hex Head 3/8-16 x 1-1/4	93 7563R	Washer, Thrust, Axle
42 121357X	Spring, Extension, Clutch	94 12000034	Ring, Klip
43 STD570907	Pin, Cotter 3/32 x 3/4	95 1304H	Bolt, Hub
44 101356L	Rod, Clutch	96 2228M	Key, Woodruff
45 104360X	Idler, Flat	97 74760720	Bolt, Hex Head 7/16-14 x 1-1/4
46 121358X	Retainer, Spring	98 105706X	Bearing, Idler
47 19131413	Washer 13/32 x 7/8 x 13 Gauge	99 9858M1	Key, Woodruff
48 121360X	Retainer, Belt	100 5304J	Actuator, Interlock Switch
49 104577X	Adapter	101 214J	Drum, Brake
50 STD523710	Bolt, Hex Head 3/8-16 x 1 Grade 5	102 STD541410	Locknut #10-24
51 17190516	Screw, Hex Head, Thread Cutting 5/16-18 x 1	103 633A109	Assembly, Gearshift Lever
52 STD522507	Bolt, Hex Head 1/4-20 x 3/4	104 2751R	Clip Fuel Line

NOTE: All component dimensions given in U.S. inches
1 inch = 25.4 mm

REPAIR PARTS

20 HP TRACTOR - - MODEL NUMBER 917.250051

STEERING ASSEMBLY



- | | | | | | | | | |
|----------|----------|----------|----------|----------|----------|----------|----------|----------|
| A | B | C | D | E | G | K | L | M |
| 10 | 92 | 34 | 11 | 49 | 82 | 75 | 46 | 32 |
| 11 | 93 | | | | 11 | 62 | 45 | 45 |
| | 94 | | | | | | 47 | 22 |
| | | | | | | | 22 | 60 |

REPAIR PARTS

20 HP TRACTOR - - MODEL NUMBER 917.250051

STEERING ASSEMBLY

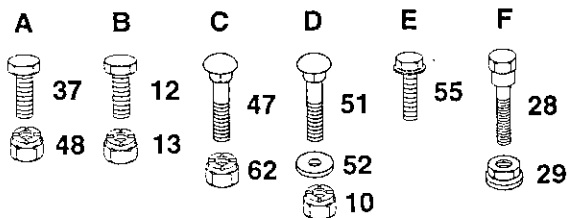
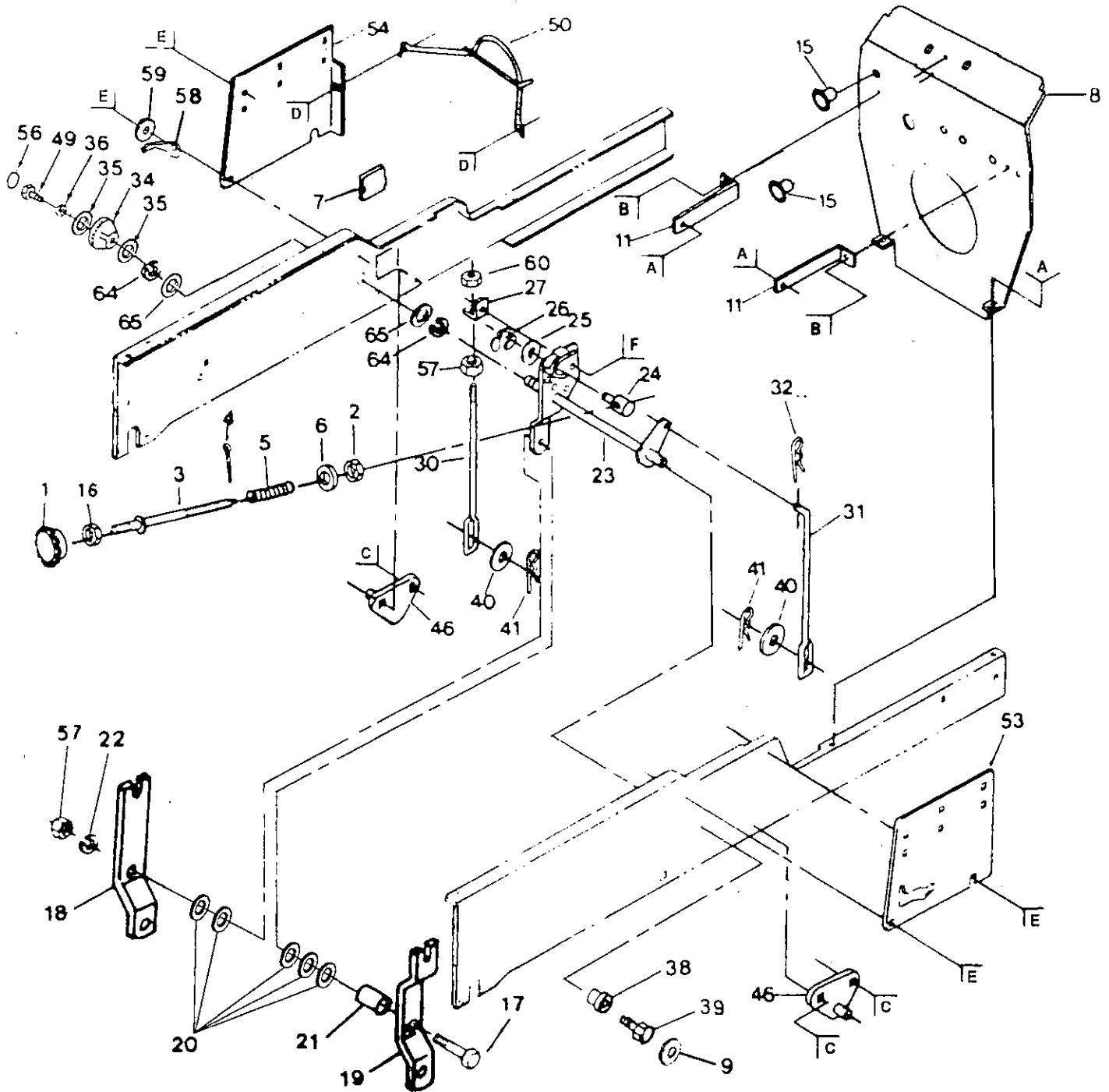
KEY PART NO. NO.	DESCRIPTION	KEY PART NO. NO.	DESCRIPTION
6 106045X	Spindle, R.H.	45 19171416	Washer 17/32 x 7/8 x 16 Gauge
7 6266H	Bearing, Axle	46 72110622	Bolt, Carriage 3/8-16 x 2-3/4
8 12000029	Klip, Ring	47 121235X	Spacer
9 5284J	Bracket, Axle	48 106042X018	Cover, Gate, Shift
10 STD523707	Bolt, Hex 3/8-16 x 3/4	49 17720408	Screw, Hex Washer Head, Thread Cutting 1/4-20 x 1/2
11 73680600	Nut, Crownlock 3/8-16	50 19131212	Washer 13/32 X 3/4 X 12 Gauge
12 137094	Axle, Front (Includes Key No. 13)	51 100710L	Insert, Steering Wheel
13 1309H	Bearing	52 74780880	Bolt, Hex 1/2-13 x 5
14 136518	Spacer, Bearing, Axle, Front	53 73680800	Nut, Crownlock 1/2-13
15 74781044	Bolt, Hex 5/8-11 x 2-3/4 Grade 5	54 19172610	Washer 17/32 x 1-5/8 x 10
17 73681000	Nut, Crownlock 5/8-11	60 STD541037	Nut, Hex 3/8-16
18 6855M	Fitting, Grease	61 5213J	Bracket, Frame Front
19 106046X	Spindle, L.H.	62 73680500	Nut, Crownlock 5/16-18
20 120424X	Sector Assembly	63 137563	Support, Battery
21 110497X	Link, Drag	66 124557X011	Dashplate
22 STD551137	Washer, Lock 3/8	70 109850X	Joint, Tie Rod, R.H. Thread
23 STD541137	Nut, Hex 3/8-24	71 109851X	Joint, Tie Rod, L. H. Thread
24 5292J	Bushing, Bellcrank	72 7919J	Rod, Tie
25 108137X	Bellcrank	73 73700600	Nut, Hex, Jam 3/8-24 L.H.
26 19292016	Washer 29/32 x 1-1/4 x 16 Gauge	74 STD541337	Nut, Hex, Jam 3/8-24 R.H.
27 109849X	Rod, Tie	75 STD533107	Bolt, Carriage 5/16-18 x 3/4
28 74520628	Bolt, Hex Fin 3/8-16 UNC x 1-3/4	76 121749X	Washer 13/32 x 1-1/4 x 16 Gauge
30 102439X	Bracket, Support, Steering	77 121748X	Washer 25/32 x 1-1/4 x 16 Gauge
31 104239X	Bearing, Flanged	82 STD523710	Bolt, Hex 3/8-16 x 1 Grade 5
32 72110608	Bolt, Carriage 3/8-16 x 1 Grade 5	83 100207K	Clip 3/8
33 101274N	Support, Steering	85 120199X	Tube
34 17490612	Screw, Hex Washer Head, Thread Rolling 3/8-16 x 3/4	86 121177X	Collar
35 102458X	Shaft, Steering	87 101496X	Spacer, Split
36 12000034	Klip, Ring	90 121748X	Washer 25/32 x 1-5/8 x 16 Gauge
37 121021X	Wheel, Steering	91 121232X	Cap, Spindle
38 100711L	Adapter, Steering	92 74180412	Screw, Machine 1/4-20 x 3/4
39 19133808	Washer	93 19091216	Washer 9/32 x 3/4 x 16 Gauge
40 121050X	Sleeve, Steering	94 73510400	Nut, Hex, Keps 1/4-20
41 9038R	Bearing	95 4171R	Clip
42 105519X	Dash, Lower		
43 120028X	Dash		
44 105525X	Bracket, Support, Dash		

NOTE: All component dimensions given in U.S. inches
1 inch = 25.4 mm

REPAIR PARTS

20 HP TRACTOR -- MODEL NUMBER 917.250051

LIFT ADJUSTMENT



REPAIR PARTS

20 HP TRACTOR - - MODEL NUMBER 917.250051

LIFT ADJUSTMENT

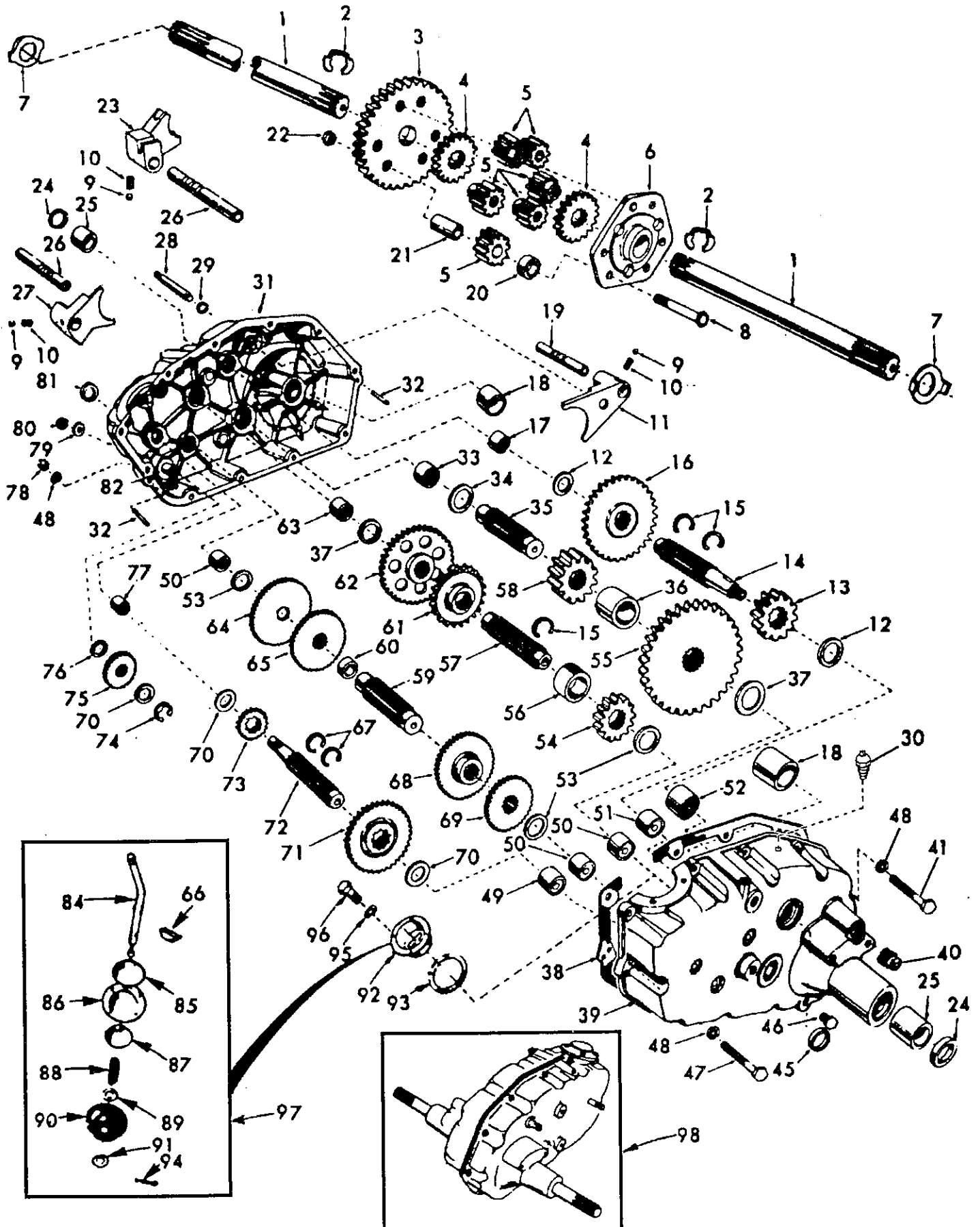
KEY PART NO. NO.	DESCRIPTION	KEY PART NO. NO.	DESCRIPTION
1 138057	Knob, Inf 3/8-16	32 4939M	Retainer, Spring
2 110807X	Nut, Special	34 123934X	Scale, Height Indicator
3 110811X	Rod, Adjust, Lift	35 19112410	Washer 11/32 x 1-1/2 x 10 Gauge
4 STD570907	Pin, Cotter 3/32 x 1/2	36 STD551131	Washer, Lock
5 2876H	Spring	37 STD523107	Bolt, Hex Head 5/16-18 x 3/4
6 19131016	Washer 13/32 x 5/8 x 16 Gauge	38 105624X	Hub, Lift Shaft
7 121794X	Cover, Access	39 STD523710	Bolt, Hex Head 3/8-16 x 1
8 127808	Shield, Heat, Rear	46 105501X	Bracket, Suspension, Mower
9 109412X	Cap, Spring	47 STD533707	Bolt, Carriage 3/8-16 x 3/4
10 STD541431	Nut, Crownlock 5/16-18	48 STD541431	Nut, Crownlock 3/8-16
11 128278	Brace, Heat Shield	49 74780516	Bolt, Hex Head 5/16-18 x 1
12 STD522505	Bolt, Hex 1/4-20 x 1/2 Grade 5	50 126651X	Guard, Belt, Engine
13 73680400	Nut, Crownlock 1/4-20	51 STD533110	Bolt, Carriage 5/16-18 x 1
15 110436X	Grommet, Split	52 19111610	Washer 11/32 x 1 x 10 Gauge
16 STD541237	Nut, Hex, Jam 3/8-16 UNC	53 121045X	Panel, Side, RH
17 74520628	Bolt 3/8-16 x 1-3/4 Grade 5	54 121046X	Panel, Side, LH
18 5948J	Bracket, Lift, LH	55 17490608	Bolt, Hex Washer Head, Thd., Rol 3/8-16 x 1/2
19 5947J	Bracket, Lift, RH	56 123935X	Plug, Hole
20 19172410	Washer 17/32 x 1-1/2 x 10 Gauge	57 STD541037	Nut, Hex 3/8-16
21 5949J	Tube .384 x 1-1/2 x 15/16	58 123933X505	Pointer, Height Indicator
23 124217X	Shaft, Lift	59 120529X	Washer, Nylon .44 x .75 x .032
24 110810X	Trunnion, Depth Stop	60 STD541437	Locknut, Hex, Washer Insert 3/8-
25 19151216	Washer 15/32 x 3/4 x 16 Gauge	62 STD541437	Nut, Centerlock 3/8-16
26 12000037	Klip Ring	64 12000022	E-Ring
27 7594J	Bracket, Lift, LH	65 19292016	Washer 29/32 x 1-1/4 x 16 Gauge
28 7901J	Bolt, Shoulder		
29 STD541237	Nut, Hex, Flange 1/4-20		
30 7596J	Link, Lift, LH		
31 105503X	Link, Lift, RH		

NOTE: All component dimensions given in U.S. inches
1 inch = 25.4 mm

REPAIR PARTS

20 HP TRACTOR -- MODEL NUMBER 917.250051

TRANSAXLE



REPAIR PARTS

20 HP TRACTOR - - MODEL NUMBER 917.250051

TRANSAXLE

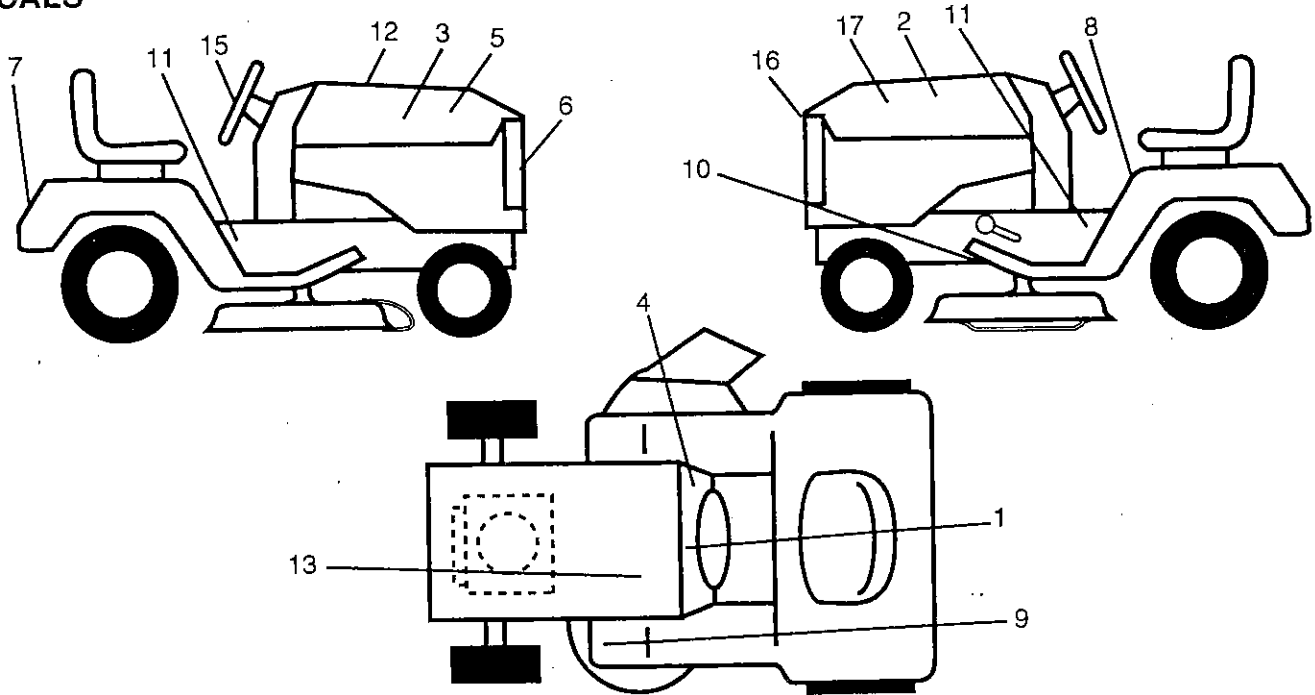
KEY PART NO. NO.	DESCRIPTION	KEY PART NO. NO.	DESCRIPTION
1 4197R	Axle Shaft	51 1529R	Needle Bearing
2 12000034	Retaining Ring	52 8119M	Needle Bearing
3 4199R	Final Drive Gear	53 4220R	Thrust Bearing Race
4 4216R	Differential Gear	54 4209R	3rd Reduction Pinion, Low
5 4215R	Differential Pinion	55 4213R	4th Reduction Gear
6 4217R	Differential Carrier	56 4442R	3rd Reduction Pinion Spacer
7 6256H	Axle Thrust Washer	57 4195R	2nd Reduction Gear Shaft
8 74020652	Bolt, Hex Head 3/8-24 x 3-1/4 (1" Thread Length)	58 4214R	Final Drive Pinion
9 7392M	Steel Ball	59 4194R	1st Reduction Gear Shaft
10 137261	Spring Shift Fork Detent	60 7528R	1st Reduction Shaft Spacer
11 4985R	Shift Fork, High-Low Range	61 4208R	3rd Reduction Pinion Hlgh
12 6266H	Thrust Bearing Race	62 4207R	2nd Reduction Gear
13 4212R	4th Reduction Pinion	63 7398H	Needle Bearing
14 4196R	3rd Reduction Gear Shaft	64 4203R	Low Speed Gear and 2nd Reduction Pinion Cluster
15 6276H	Snap Ring, Crescent Type	65 4204R	Reverse Gear
16 633A63	High-Low Range Gears	66 2898J	Key, Hi-Pro 1/8 x 17/32
17 8118M	Needle Bearing	67 4926H	Snap Ring, Crescent Type
18 8740H1	Sintered Iron Bearing	68 4205R	Intermediate Speed Gear
19 122238X	Shift Fork Shaft, High-Low Range	69 4206R	High Speed Gear
20 4218R	Differential Pinion Spacer	70 1370H	Thrust Bearing Race
21 6252H1	Differential Pinion Bushing	71 633A69	Intermediate and High Speed Cluster Pinions
22 7810H	Gripco Centerlock Nut 3/8-24	72 208J	Input Shaft
23 6262H	Shift Fork, R.H.	73 4201R	Low Speed Pinion
24 7393R	Oil Seal	74 12000002	E-Ring
25 992R1	Sintered Iron Bearing	75 1153R	Reverse Idler Gear
26 6216H	Shift Fork Shaft	76 7392H	Reverse Idler Thrust Washer
27 4986R	Shift Fork, L.H.	77 3990H	Needle Bearing
28 122254X	Shift Shaft, High-Low Range	78 73220500	Nut, Hex 5/16-18
29 6269H	Oil Seal	79 1167R	Sealing Washer
30 5855H	Pressure Relief Valve	80 73360700	Nut, Hex, Jam 7/16-20
31 137976	Gearcase, Reverse Idler Shaft and Bearings, R.H. (Includes Key No.'s 17, 18, 25, 33, 50, 63, 76, 77 & 82)	81 6270H	Oil Seal
32 6277H	Dowel Pin	82 7384H	Reverse Idler Shaft
33 4225R	Needle Bearing	84 5384J	Gearshift Lever, Bent
34 7396H	Thrust Bearing Race	85 2978J	Gearshift Cap
35 4198R	4th Reduction Gear Shaft	86 633A85	Gearshift Ball Cover and Pin
36 4200R	4th Reduction Gear Spacer	87 8739H1	Shift Lever Guide Ball, Keyed
37 7395H	Thrust Bearing Race	88 4924H	Spring
38 121878X	Gearcase Gasket	89 19151516	Washer 15/32 x 15/16 x 16 Gauge
39 137974	Gearcase and Bearings, L.H. (Includes Key Numbers 18, 25, 49, 50 (2), 51 and 52)	90 110542X	Shift Mechanism Seal
40 13320400	Pipe Plug 1/2-14 N.P.T.	91 19181511	Washer 9/16 x 15/16 x 12 Gauge
41 74780526	Bolt, Hex 5/16-18 UNC x 1-5/8	92 75J	Gearshift Gate and Reinforcement
45 6271H	Oil Seal	93 6274H	Shift Ball Cover Gasket
46 13060200	Pipe Plug 1/4-18 N.P.T.	94 76020412	Cotter Pin 1/8 x 3/4
47 74780524	Bolt, Hex 5/16-18 x 1-1/2 Grade 5	95 10040500	Washer, Lock 5/16
48 10040500	Washer, Lock, Extra Heavy 5/16	96 74760514	Bolt, Hex Head 5/16-18 UNC x 7/8
49 4895H	Needle Bearing	97 633A109	Gearshift Lever Assembly
50 4222R	Needle Bearing	98 137982	Transaxle Assembly (Less Brake Drum and Shift Lever)

NOTE: All component dimensions given in U.S. inches
1 inch = 25.4 mm

REPAIR PARTS

20 HP TRACTOR - - MODEL NUMBER 917.250051

DECALS



KEY PART NO. NO.

DESCRIPTION

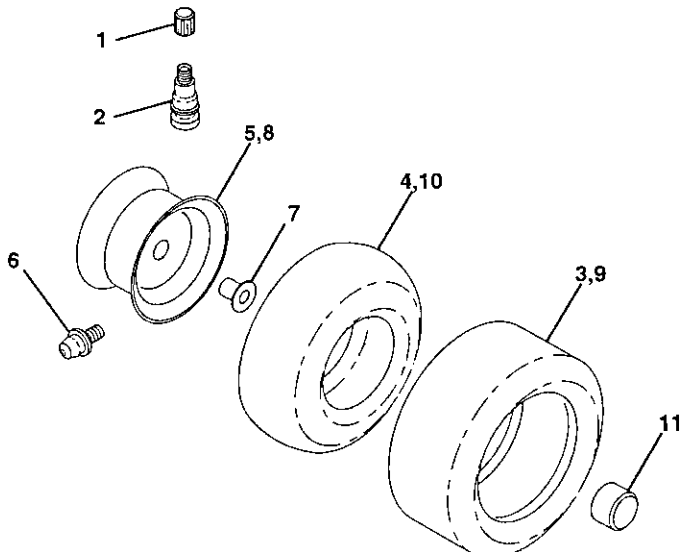
1	136794	Decal, Dash, Operating Instructions
2	128491	Decal, Hood, Stripe, L.H.
3	138292	Decal, Hood, Stripe, R.H.
4	138834	Decal, YT/GT Dash
5	133354	Decal, Side Panel, R.H.
6	105806X	Decal, Logo Grille
7	128314	Decal, Fender
8	137537	Decal, Caution

KEY PART NO. NO.

DESCRIPTION

9	4900J	Decal, Clutch/Brake
10	131283	Decal, V-Belt, Drive
11	130860	Decal, Chassis, Speed/Deck Size
12	133644	Decal, Maint. Cust. Sears
13	138047	Decal, Battery
15	132265	Decal, Steering Wheel Insert
16	132270	Decal, Grill, Stripe
17	138048	Decal, Side Panel, L.H.
--	139404	Manual, Owner's

WHEELS & TIRES



KEY PART NO. NO.

DESCRIPTION

1	59192	Cap, Valve
2	65139	Stem, Valve
3	105588X	Tire, Rear
4	7154J	Tube, Rear Tire (Optional, Service Item Only)
5	3635R	Rim Assembly, Rear
6	278H	Fitting, Grease (Front Only)
7	9040H	Bearing, Flange (Front Only)
8	122974X	Rim Assembly, Front
9	106230X	Tire, Front
10	8134H	Tube, Front Tire (Optional, Service Item Only)
11	104757X	Cover, Axle

NOTE: All component dimensions given in U.S. inches
1 inch = 25.4 mm

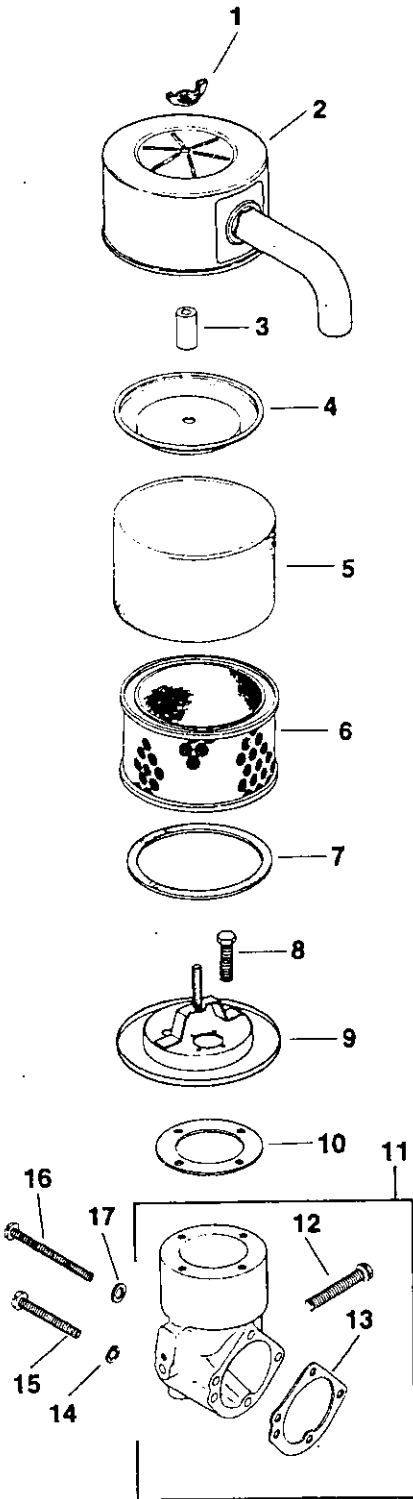
SERVICE NOTES

REPAIR PARTS

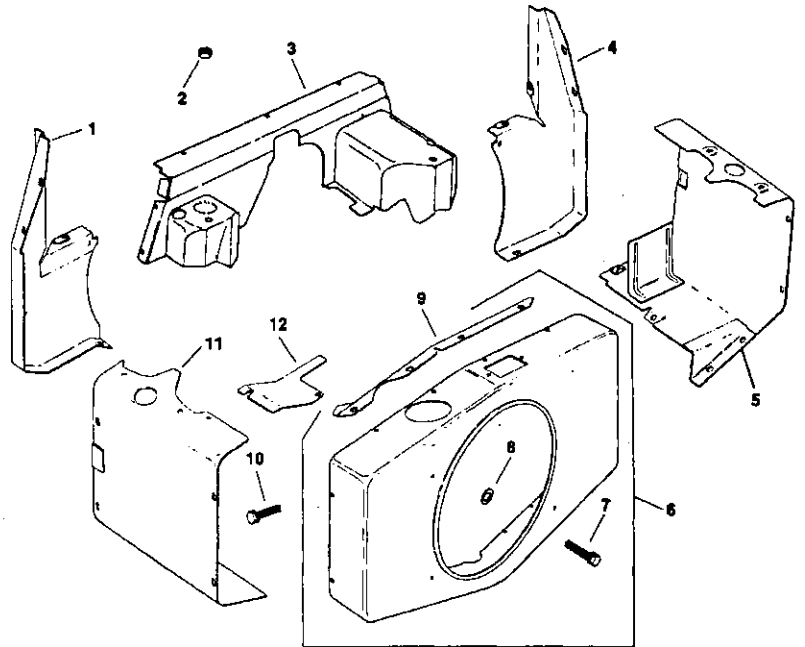
20 HP TRACTOR - - MODEL NUMBER 917.250051

KOHLER ENGINE - MODEL NUMBER M20QS, TYPE NUMBER 49634

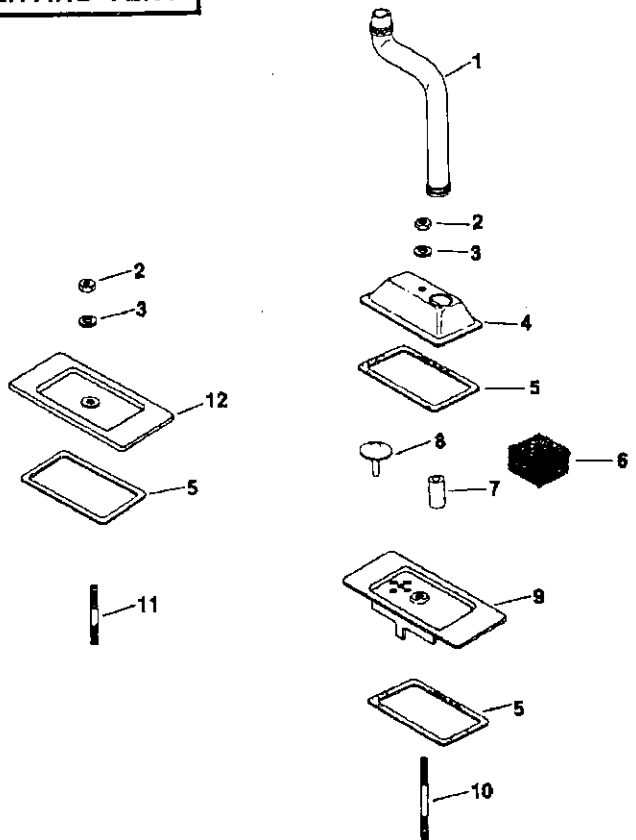
AIR INTAKE



BAFFLES AND SHROUD



BREATHER AND VENT



REPAIR PARTS

20 HP TRACTOR - - MODEL NUMBER 917.250051

KOHLER ENGINE - MODEL NUMBER M20QS, TYPE NUMBER 49634

AIR INTAKE

KEY PART NO. NO.	DESCRIPTION
1 X-276-7	Wing Nut 1/4-20
2 52 096 36	Cover, Air Cleaner
3 231032	Seal, Element Cover
4 52 082 04	Cover, Air Cleaner Element
5 45 083 01	Pre-Cleaner
6 45 083 02	Element, Air Cleaner
7 237423	Seal, Air Cleaner Cover
8 X-67-98	Screw, Hex Washer Head #10-32 x 9/16 (4)
9 52 201 06	Base, Air Cleaner
10 277093	Gasket, Air Cleaner Base
11 52 754 01	Kit, Elbow (Includes Key Numbers 12 and 13)
12 52 086 11	Screw, Hex Cap 1/4-20 x 5/8
13 25 041 06	Gasket, Elbow
14 X-22-9	Washer, Lock #10 (2)
15 X-50-57	Screw, Machine, Round Head #10-32 x 1-1/2 (2)
16 X-50-37	Screw, Machine, Round Head #10-32 x 2-1/4
17 X-25-79	Washer, Plain #10

NOT ILLUSTRATED

-- 25 113 15	Decal, Air Cleaner
-- 52 113 43	Decal, Air Cleaner

BAFFLES & SHROUD

KEY PART NO. NO.	DESCRIPTION
1 52 281 23	Duct, Air, #1 Side
2 X-82-2	Nut 5/16-18 (2)
3 52 282 01	Cover, Air Duct
4 52 281 05	Duct, Air, #2 Side
5 52 063 36	Baffle, #1 Cylinder Head
6 52 755 71	Kit, Blower Housing (Includes Key Numbers 7 and 9)
7 52 086 11	Screw, Self-Tapping 1/4-20 x 5/8 (6)
8 52 468 16	Washer, Flat 1/4 (2)
9 52 217 01	Support, Upper Housing
10 X-67-83	Screw, Hex Washer Head 1/4-20 x 7/16 (23)
11 52 063 30	Baffle, #2 Cylinder Head
12 52 063 01	Baffle, #2 Cylinder Top

BREATHER & VENT

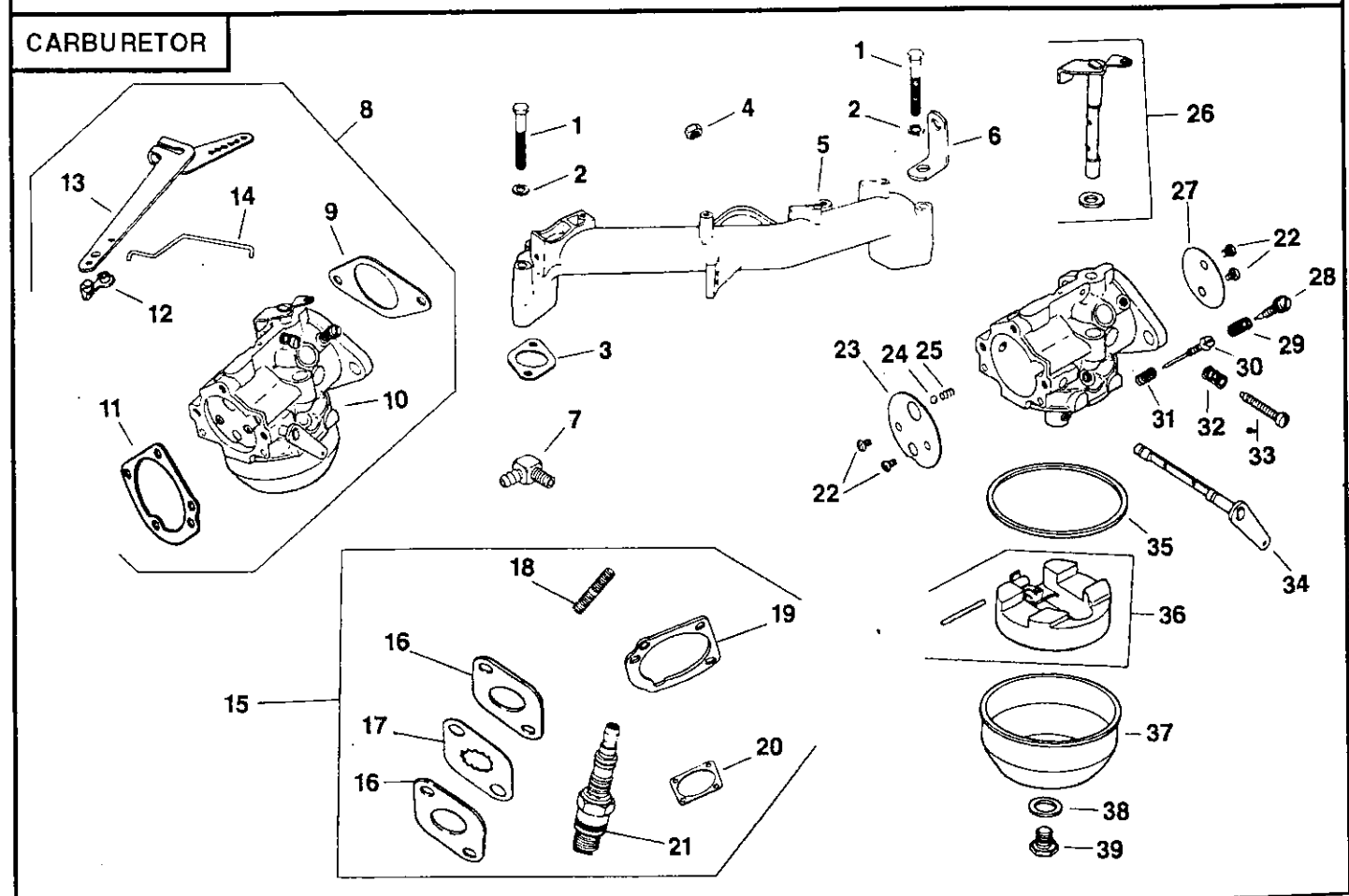
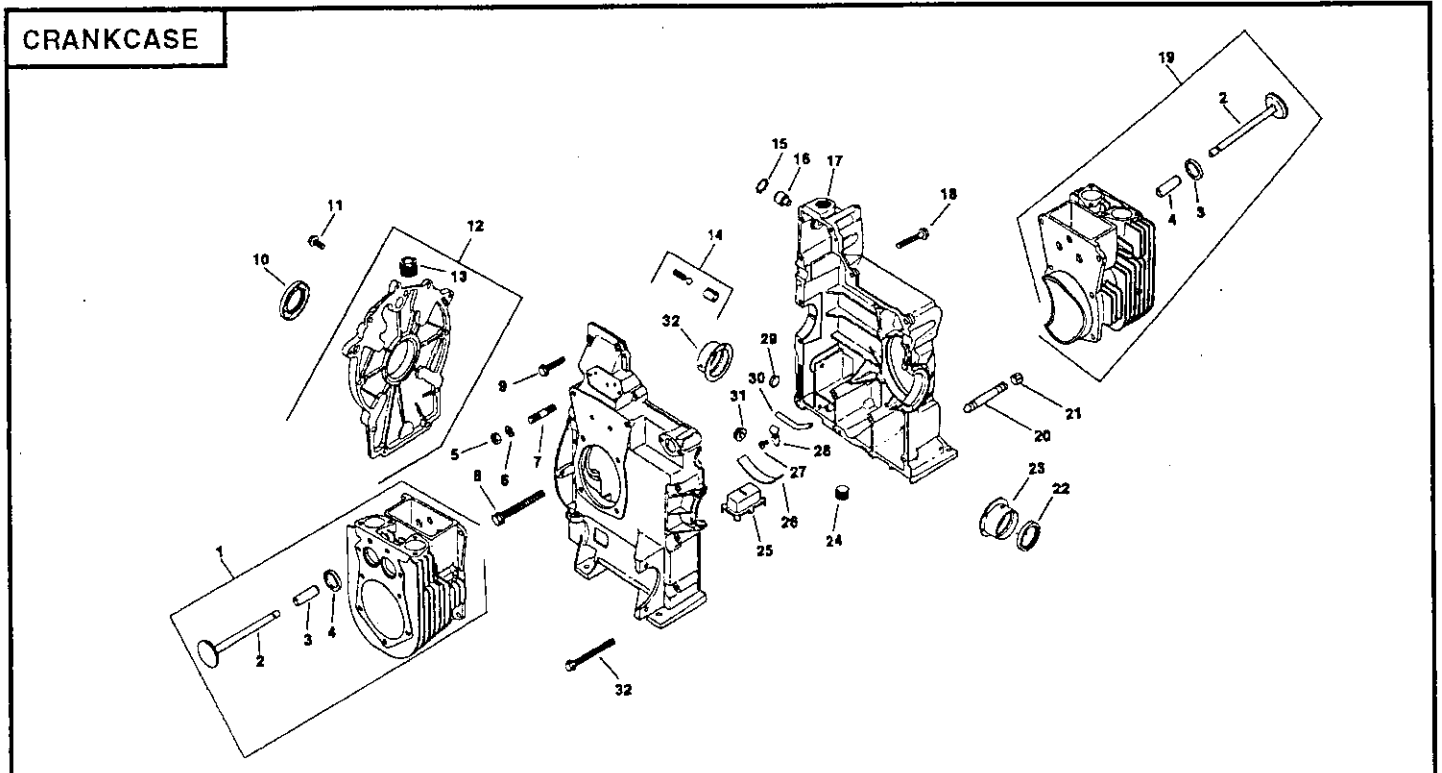
KEY PART NO. NO.	DESCRIPTION
1 52 326 05	Hose, Breather
2 X-81-1	Nut, Hex 1/4-20 (2)
3 X-25-12	Washer, Plain 1/4 (2)
4 52 096 08	Cover, #1 Upper Cylinder Valve
5 52 055 01	Gasket, Cover (3)
6 231419	Filter, Breather
7 52 032 04	Seal, Breather
8 52 462 01	Valve, Breather
9 52 096 22	Cover, #1 Lower Cylinder Valve
10 275220	Stud, #1 Cylinder Valve Cover 1/4-20 x 3-1/4
11 X-352-39	Stud, #2 Cylinder Valve Cover 1/4-20 x 2-1/4
12 52 096 18	Cover, #2 Cylinder Valve

NOTE: All component dimensions given in U.S. inches
1 inch = 25.4 mm

REPAIR PARTS

20 HP TRACTOR - - MODEL NUMBER 917.250051

KOHLER ENGINE - MODEL NUMBER M20QS, TYPE NUMBER 49634



REPAIR PARTS

20 HP TRACTOR - - MODEL NUMBER 917.250051

KOHLER ENGINE - MODEL NUMBER M20QS, TYPE NUMBER 49634

CRANKCASE

KEY PART NO. NO.	DESCRIPTION
1 82 755 19	Kit, #2 Cylinder Barrel (Includes Key Numbers 2 thru 4)
2 52 016 06	Valve, Exhaust
3 52 316 06	Guide, Valve (2)
4 52 031 01	Insert, Valve Seat (2)
5 X-82-2	Nut, Hex 5/16-18 (12)
6 52 468 12	Washer, Flat 5/16 (12)
7 52 072 12	Step Stud 5/16-18 x 3/4, 3/8-16 x 5/8, 2" Long (12)
8 25 086 13	Screw, Hex Flange 3/8-16 x 3-5/8 (2)
9 25 086 10	Screw, Hex Flange 5/16-18 x 1-1/2 (3)
10 X-583-5	Seal, Oil, Rear
11 X-802-9	Screw, Washer Head 5/16-18 x 1 (9)
12 52 755 57	Kit, Closure Plate (Includes Key Number 13)
13 X-75-23	Plug, 1/8 N.P.T.F.
14 52 755 50	Kit, Oil Relief
15 X-269-43	Ring, Retaining
16 52 078 05	Shaft, Governor
17 - - -	Crankcase (Service with Short Block, Part Number 52 522 77)
18 25 086 12	Screw, Hex Flange 5/16-18 x 2 (2)
19 82 755 18	Kit, #1 Cylinder Barrel (Includes Key Numbers 2 thru 4)
20 12 136 07	Nipple, Pipe
21 12 173 03	Cap, Pipe
22 52 032 10	Seal
23 52 030 10	Bearing, Sleeve, Standard (2)
52 030 11	Bearing, Sleeve .010" (2)
52 030 12	Bearing, Sleeve .020" (2)
24 X-75-32	Plug, Hex, ctsk. 3/8 N.P.T.F. (2)
25 52 095 03	Housing, Oil Pickup
26 52 237 02	Clamp, Spring
27 X-67-64	Screw, Hex Washer Head #10-32 x 7/16
28 52 237 05	Clamp, Tube
29 X-702-15	Plug, Cup 5/16
30 52 123 10	Tube, Dipstick
31 52 139 08	Plug
32 52 032 10	Seal, Oil, Front
33 25 086 11	Screw, Hex Flange 5/16-18 x 3-1/2 (8)

CARBURETOR

KEY PART NO. NO.	DESCRIPTION
1 X-6-8	Screw, Hex Cap 5/16-18 x 2-3/4 (
2 X-21-1	Washer, Lock 5/16 (4)
3 52 041 09	Gasket, Intake (2)
4 X-77-2	Nut 5/16 (2)
5 52 164 10	Manifold, Intake
6 52 445 02	Strap, Lifting (2)
7 25 155 02	Connector, Hose
8 52 853 27	Kit, Carburetor with Gasket (Includes Key Numbers 9 thru 14)
9 271030	Gasket, Carburetor
10 52 053 58	Carburetor Assembly (Information Only - Not Available Separately)
52 053 63	(Includes Key Numbers 22 thru 30)
11 25 041 06	Gasket, Air Cleaner
12 25 158 11	Bushing, Governor Linkage (2)
13 52 186 06	Arm, Governor
14 82 755 07	Kit, Governor Linkage (Includes Key Numbers 16 thru 21)
15 82 755 24	Kit, Carburetor Baffle (Includes Key Numbers 16 thru 21)
16 271030	Gasket, Carburetor (2)
17 52 063 40	Baffle, Carburetor
18 41 072 19	Stud 5/16-18 x 1-1/4 (2)
19 25 041 06	Gasket, Air Cleaner Elbow
20 277093	Gasket, Air Cleaner
21 52 132 02	Spark Plug (2)
22 25 086 27	Screw, Throttle and Choke Plate (
23 25 146 03	Plate, Choke
24 25 194 01	Ball, Choke, Friction
25 25 089 03	Spring, Choke, Friction
26 52 144 18	Shaft, Throttle with Lever and Sea
27 25 146 02	Plate, Throttle
28 25 368 01	Needle, Idle Fuel Adjust
29 25 089 02	Spring, Idle, Fuel
30 25 086 26	Screw, Idle Speed Adjust
31 25 089 04	Spring, Idle Speed
32 25 089 02	Spring, Main Fuel
33 25 368 03	Needle, Main Fuel
34 52 090 12	Lever, Choke
35 25 041 04	Gasket, Bowl
36 25 757 09	Kit, Float
37 25 104 01	Bowl, Fuel
38 25 041 03	Gasket, Bowl Retainer Screw
39 25 100 05	Screw, Bowl Retainer

NOT ILLUSTRATED

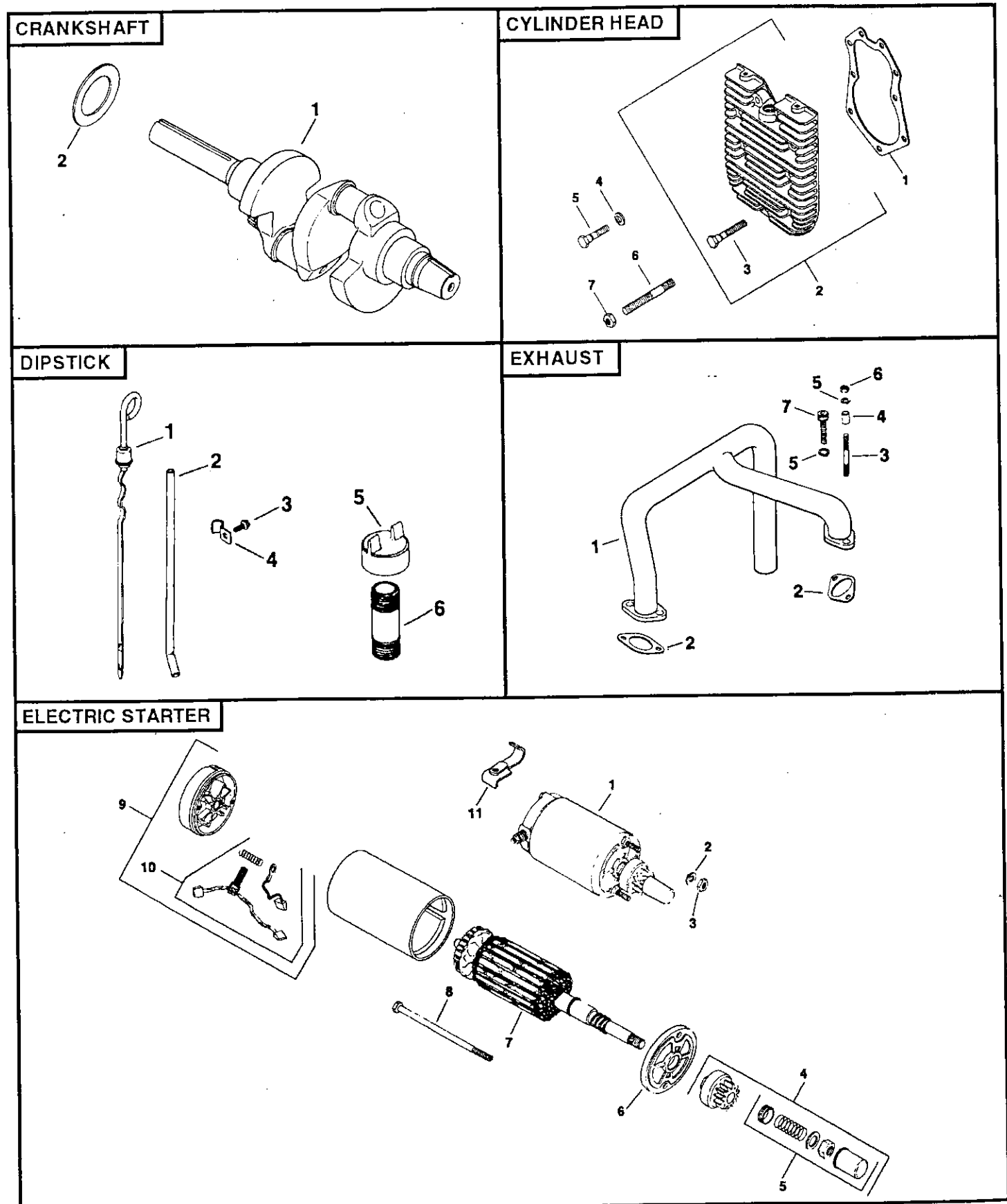
-- 25 757 11 Kit, Carburetor Repair

NOTE: All component dimensions given in U.S. inches
1 inch = 25.4 mm

REPAIR PARTS

20 HP TRACTOR - - MODEL NUMBER 917.250051

KOHLER ENGINE - MODEL NUMBER M20QS, TYPE NUMBER 49634



REPAIR PARTS

20 HP TRACTOR - - MODEL NUMBER 917.250051

KOHLER ENGINE - MODEL NUMBER M20QS, TYPE NUMBER 49634

CRANKSHAFT

KEY PART NO. NO.	DESCRIPTION
1 52 014 76	Crankshaft
2 52 468 03	Washer, Thrust .119/.122 (A.R.)
52 468 04	Washer, Thrust .128/.131
52 468 05	Washer, Thrust .137/.140 (A.R.)

CYLINDER HEAD

KEY PART NO. NO.	DESCRIPTION
1 52 041 20	Gasket, Head (2)
2 52 755 78	Kit, Cylinder Head (2) (Includes Key Number 3)
3 25 086 07	Screw, Hex Machine 5/16-18 x 2 (4)
4 220534	Washer, Plain 5/16 (18)
5 41 086 02	Screw, Hex Head 5/16-18 x 1-1/2 (8)
6 52 072 15	Stud 5/16-18 x 2 (6)
7 X-82-2	Nut, Hex 5/16-18 (6)

DIPSTICK

KEY PART NO. NO.	DESCRIPTION
1 52 038 04	Dipstick, Blade 11-5/16
2 52 123 09	Tube, Oil Level
3 X-67-64	Screw #10-32 x 3/8
4 52 154 01	Clip, Tube
5 52 173 01	Cap, Pipe
6 46 136 02	Pipe, Oil Fill 3/4 I.P. x 2-1/2

EXHAUST

KEY PART NO. NO.	DESCRIPTION
1 52 164 17	Manifold
2 52 041 14	Gasket, Exhaust (2)
3 52 072 13	Stud 5/16-18 x 4 (2)
4 52 112 08	Spacer (2)
5 X-21-1	Washer, Lock 5/16 (4)
6 X-82-2	Nut 5/16-18 (2)
7 X-55-6	Screw, Hex Socket Head 5/16-18 x 3/4 (2)

ELECTRIC STARTER

KEY PART NO. NO.	DESCRIPTION
1 52 098 06	Starter Assembly (Includes Key Numbers 4 thru 10)
2 X-20-1	Washer, Lock 1/4 (2)
3 X-81-1	Nut, Hex 1/4-20 (2)
4 52 755 05	Kit, Drive (Includes Key Number 5)
5 52 755 08	Kit, Drive Parts
6 52 227 01	Cap, Drive End
7 52 170 03	Armature
8 52 211 03	Bolt, Thru 1/4-20 x 6-7/8 (2)
9 52 227 07	Cap, Commutator End (Includes Key Number 10)
10 52 755 15	Kit, Brush
11 52 126 09	Bracket, Mounting

NOT ILLUSTRATED

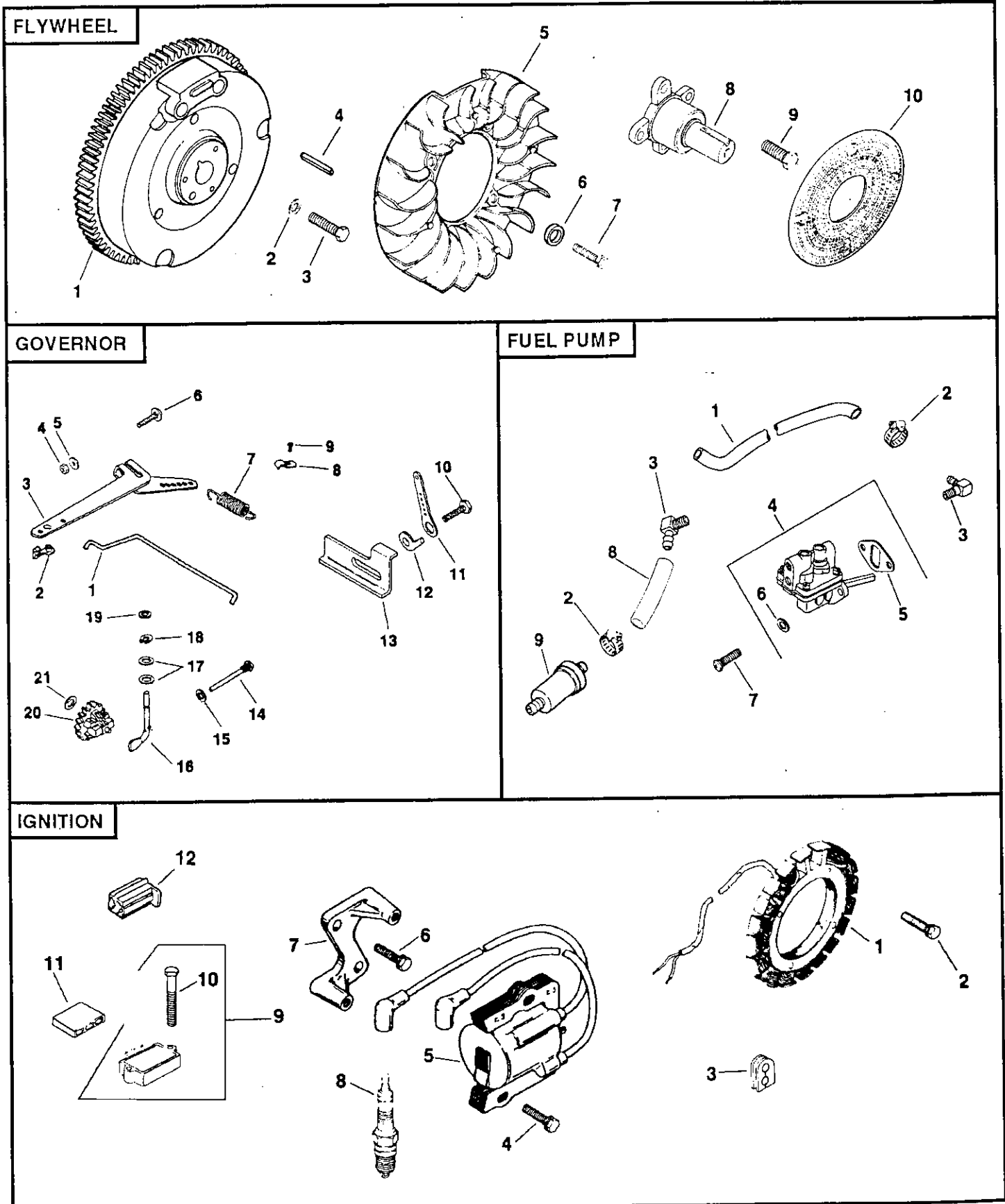
-- 52 357 01	Lubricant, Starter
-- 25 450 03	Tag, Caution

NOTE: All component dimensions given in U.S. inches
1 inch = 25.4 mm

REPAIR PARTS

20 HP TRACTOR - - MODEL NUMBER 917.250051

KOHLER ENGINE - MODEL NUMBER M20QS, TYPE NUMBER 49634



REPAIR PARTS

20 HP TRACTOR - - MODEL NUMBER 917.250051

KOHLER ENGINE - MODEL NUMBER M20QS, TYPE NUMBER 49634

FLYWHEEL

KEY PART NO. NO.	DESCRIPTION
1 52 025 36	Flywheel
2 52 468 15	Washer, Plain
3 25 086 24	Screw, Hex Machine 3/8-24 x 1-1/4
4 X-286-17	Key, Square 3/16 x 7/8
5 25 157 01	Fan
6 25 112 04	Spacer (4)
7 25 086 21	Screw, Hex Washer Head 1/4-20 x 5/8 (4)
8 237373	Shaft, Front Drive
9 X-159-2	Screw, Hex Cap 3/8-16 x 1 (4)
10 25 162 02	Screen, Grass

FUEL PUMP

KEY PART NO. NO.	DESCRIPTION
1 52 353 04	Line, Fuel, 6-3/4" Long
2 X-426-9	Clamp, Hose (4)
3 25 155 02	Connector, Hose (2)
4 52 559 01	Pump, Fuel Assembly (Includes Key Numbers 5 and 6)
5 25 041 05	Gasket, Fuel Pump
6 X-25-63	Washer, Plain 1/4 (2)
7 47 086 08	Screw, Pozidriv, Truss Head 1/4-20 x 5/8 (2)
8 25 353 03	Line, Fuel, 13-1/2" Long
9 25 050 03	Filter, Fuel

GOVERNOR

KEY PART NO. NO.	DESCRIPTION
1 82 755 07	Kit, Governor Linkage
2 25 158 11	Bushing, Governor Linkage (2)
3 52 186 06	Arm, Governor
4 X-81-1	Nut, Hex 1/4-20
5 X-25-72	Washer, Plain 1/4
6 52 211 04	Screw, Round Head, Square Neck 1/4-20 x 1
7 52 091 04	Spring, Governor
8 235778	Clamp, Cable (2)
9 X-67-97	Screw, Hex Washer Head #10-24 x 3/8 (2)
10 X-67-62	Screw, Hex Washer Head 1/4-20 x 3/4
11 52 119 01	Lever, Speed Control
12 234614	Stop, Governor
13 52 531 02	Stop, High Speed
14 231355	Pin, Governor Stop
15 X-25-12	Washer, Plain 1/4
16 52 078 04	Shaft, Governor, Cross
17 X-25-102	Washer, Plain (2)
18 X-269-28	Retainer, Governor
19 X-25-63	Washer, Plain 1/4
20 A-235743-S	Kit, Governor Gear
21 237022	Washer

IGNITION

KEY PART NO. NO.	DESCRIPTION
1 237878	Kit, Stator
2 X-67-51	Screw, Hex Cap #10-24 x 3/4 (2)
3 52 313 02	Grommet
4 25 086 15	Screw, Hex Washer Head 1/4-20 x 1 (2)
5 52 584 02	Module, Ignition
6 25 086 16	Screw, Hex Washer Head 1/4-20 x 7/8 (2)
7 52 126 08	Bracket, Module
8 51 132 02	Spark Plug (2)
9 25 755 03	Kit, Rectifier-Regulator (Includes Key Number 10)
10 X-132-5	Screw, Hex Cap 1/4-20 x 5/8 (2)
11 236602	Connector
12 236473	Connector
NOT ILLUSTRATED	
-- 25 518 21	Lead, Red, Rectifier-Regulator (5", 14 Gauge, Uninsulated Push On Tab Terminals)
-- 52 518 22	Lead, Black, Module To Connector (12-1/2", 18 Gauge, Insulated Push On Tab, Uninsulated Push On Tab Terminals)

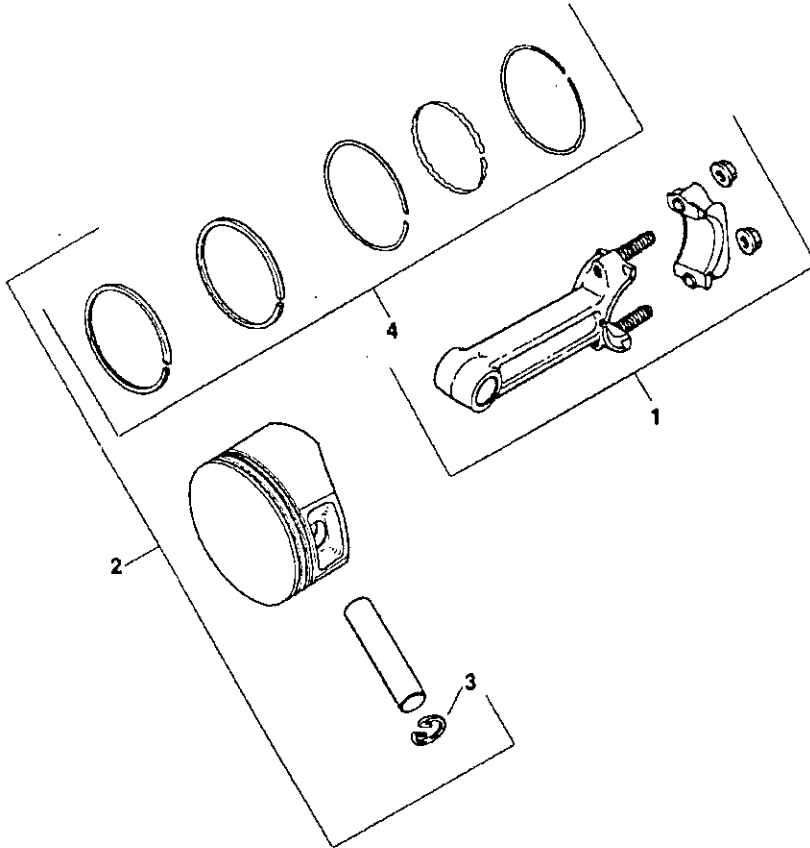
NOTE: All component dimensions given in U.S. inches
1 inch = 25.4 mm

REPAIR PARTS

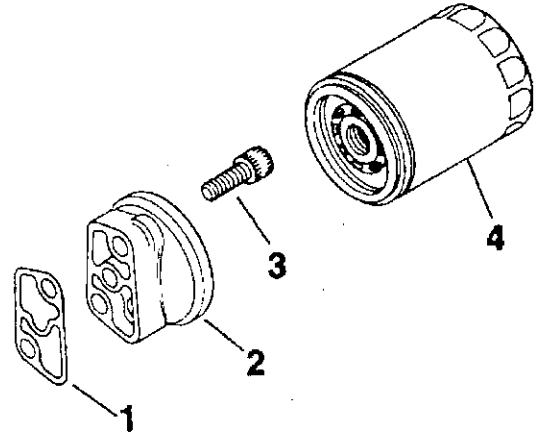
20 HP TRACTOR - - MODEL NUMBER 917.250051

KOHLER ENGINE - MODEL NUMBER M20QS, TYPE NUMBER 49634

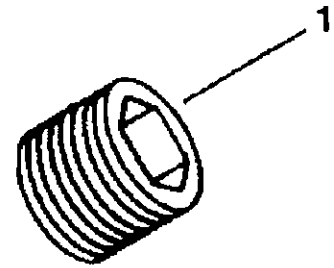
PISTON AND ROD



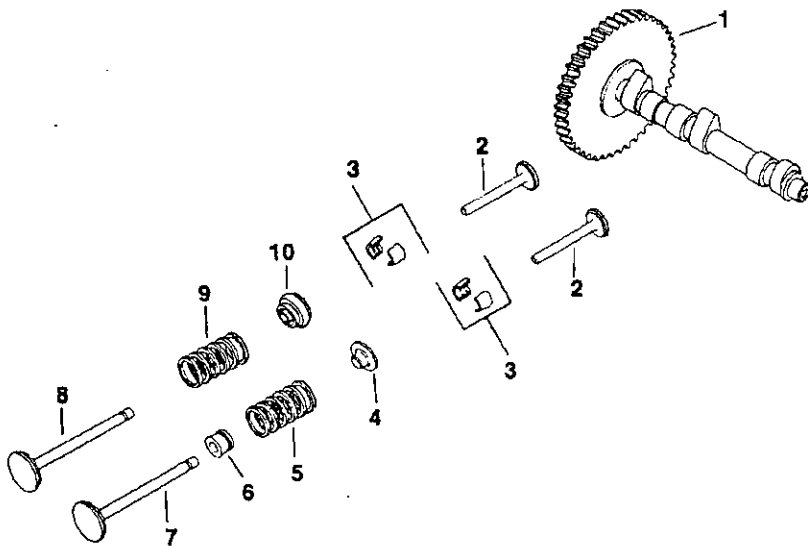
OIL FILTER



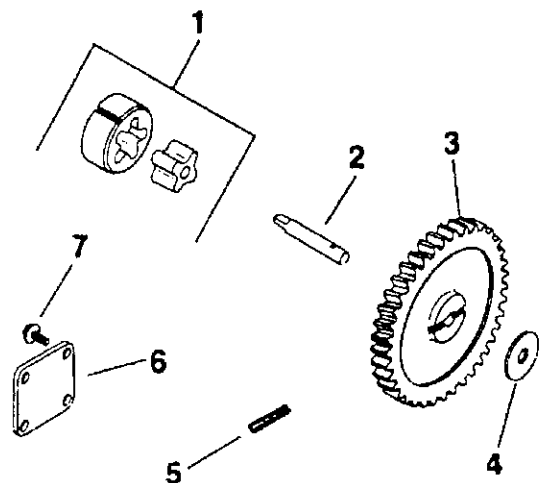
OIL SWITCH



CAMSHAFT AND VALVES



OIL PUMP



REPAIR PARTS

20 HP TRACTOR - - MODEL NUMBER 917.250051

KOHLER ENGINE - MODEL NUMBER M20QS, TYPE NUMBER 49634

PISTON & ROD

KEY PART NO.	NO.	DESCRIPTION
1	52 067 71	Connecting Rod, Standard (2)
	52 067 72	Connecting Rod .010" (2)
2	52 874 16	Piston with Ring Set, Standard (2)
	52 874 17	Piston with Ring Set .003" (2)
	52 874 18	Piston with Ring Set .010" (2)
	52 874 19	Piston with Ring Set .020" (2)
	52 874 20	Piston with Ring Set .030" (2)
3	52 141 01	Retainer, Piston Pin (4)
4	52 108 09	Ring Set, Standard and .003" (2)
	52 108 10	Ring Set .010" (2)
	52 108 11	Ring Set .020" (2)
	52 108 12	Ring Set .030" (2)

CAMSHAFT & VALVES

KEY PART NO.	NO.	DESCRIPTION
1	52 012 09	Camshaft
2	52 019 03	Tappet (4)
3	41 755 10	Kit, Retainer (4)
4	230011	Retainer, Intake Valve (2)
5	25 089 01	Spring, Intake Valve (2)
6	52 032 13	Seal, Intake Valve Stem (2)
7	52 017 07	Valve, Intake (2)
8	52 016 06	Valve, Exhaust (2)
9	25 089 01	Spring, Exhaust Valve (2)
10	52 413 01	Rotator, Exhaust Valve (2)

OIL FILTER

KEY PART NO.	NO.	DESCRIPTION
1	52 041 16	Gasket, Oil Filter
2	52 181 03	Adapter, Oil Filter
3	X-55-15	Screw, Hex Socket Head 5/16-18 x 1-1/4 (2)
4	52 050 02	Oil Filter

LOW OIL PRESSURE SWITCH

KEY PART NO.	NO.	DESCRIPTION
1	X-75-23	Plug, Pipe 1/8 N.P.T.F.

OIL PUMP

KEY PART NO.	NO.	DESCRIPTION
1	52 393 09	Rotor Set
2	52 144 05	Shaft, Oil Pump
3	52 043 05	Gear, Oil Pump
4	52 422 01	Spacer, Shim (A.R., Maximum of
5	X-280-25	Pin, Roll
6	52 096 03	Cover, Oil Pump
7	X-67-64	Screw, Hex Washer Head #10-32 x 7/16 (4)

NOT ILLUSTRATED

KEY PART NO.	NO.	DESCRIPTION
--	52 522 77	Short Block
--	52 755 94	Gasket Set

RPM Settings: Low Speed: 1150-1650
High Speed: 3325-3475

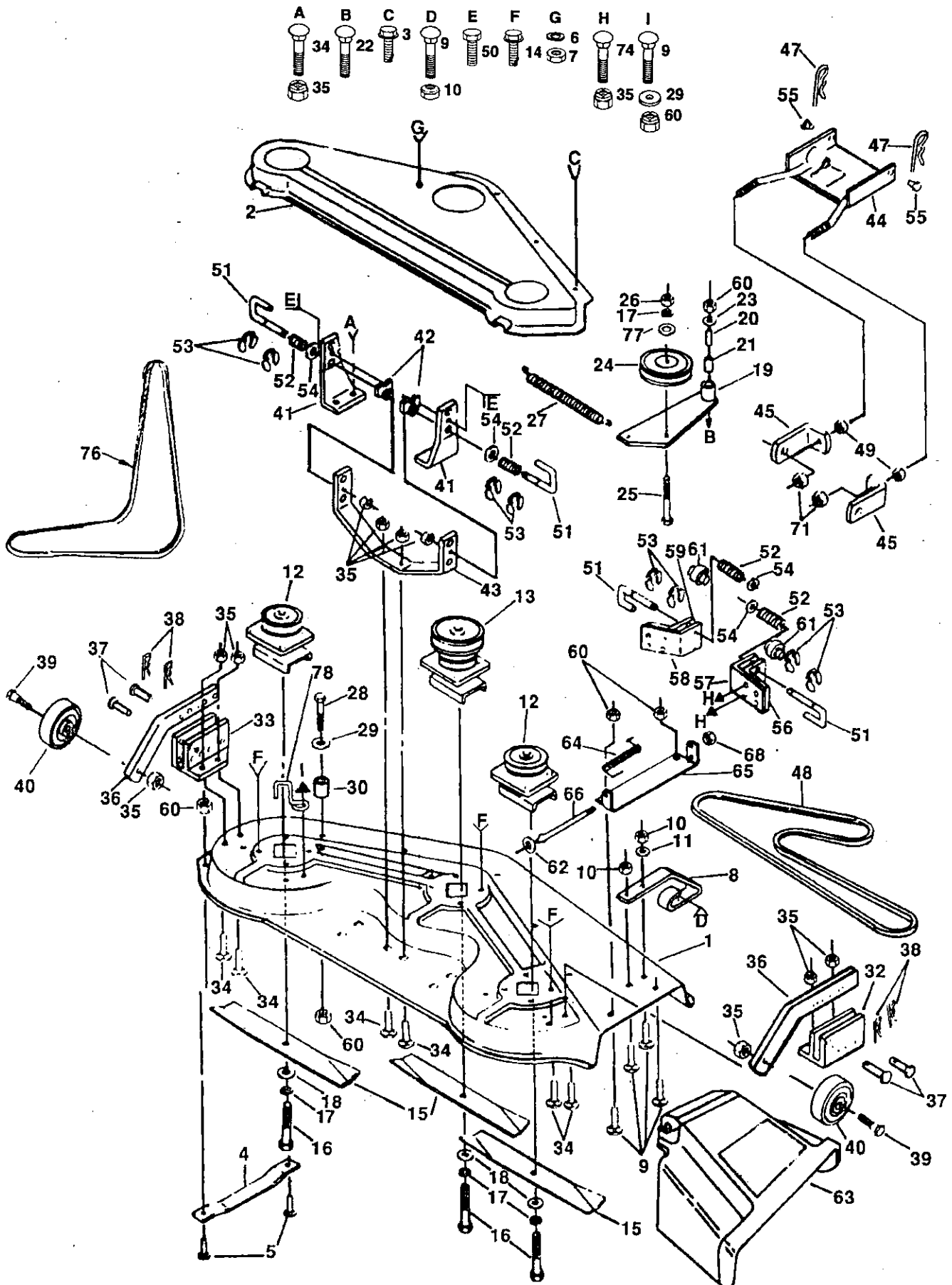
NOTE: All component dimensions given in U.S. inches
1 inch = 25.4 mm

SERVICE NOTES

REPAIR PARTS

50" REPLACEMENT DECK - - MODEL NUMBER 917.253891

MOWER



REPAIR PARTS

50" REPLACEMENT DECK - - MODEL NUMBER 917.253891

MOWER

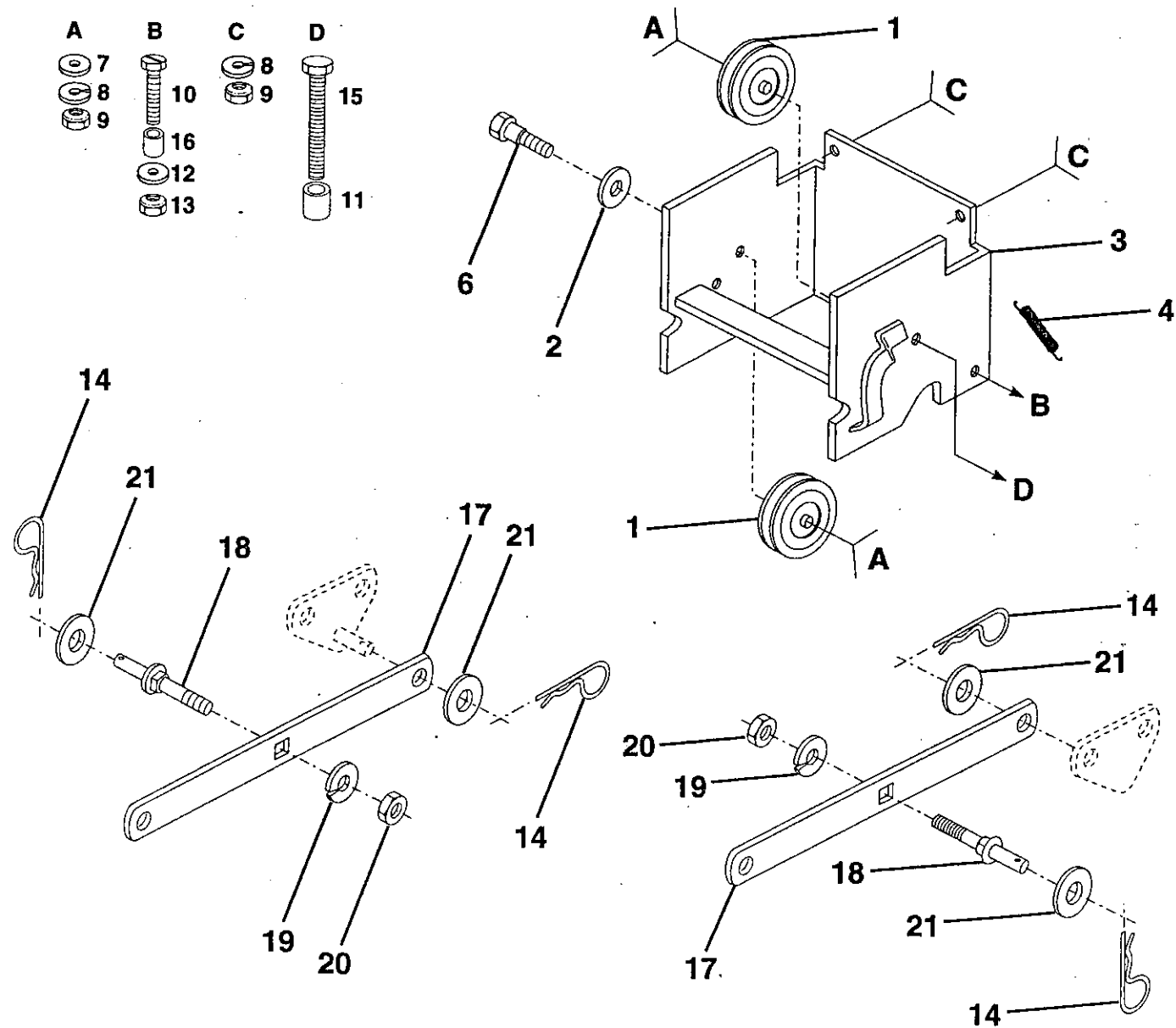
KEY PART NO. NO.	DESCRIPTION	KEY PART NO. NO.	DESCRIPTION
1 121664X	Housing, Mower	39 137644	Bolt, Shoulder
2 121811X	Cover, Drive, Mower Deck	40 133957	Wheel, Gauge
3 17490508	Screw, Hex Washer Head, Thd., Roll. 5/16-18 x 1/2	41 105433X	Bracket, Suspension
4 7631J	Runner, L.H.	42 110237X	Spacer
5 72110505	Bolt, Carriage 5/16-18 x 5/8	43 105434X	Brace, Suspension
6 STD551131	Washer, Lock 5/16	44 105436X	Parallel Link
7 STD541031	Nut, Hex 5/16-18	45 105441X	Bracket, Suspension
8 120449X	Runner, R.H.	47 3146R	Spring, Retainer
9 72140506	Bolt, Carriage 5/16-18 x 3/4	48 3703J	V-Belt
10 1685H	Locknut 5/16-18	49 73680800	Nut Crownlock 1/2-13
11 STD551031	Washer 11/32 x 11/16 x 16 Gauge	50 74760622	Bolt, Hex Head 3/8-16 x 1-3/8
12 136818	Mandrel, Secondary	51 105435X	Pin, Release
13 121617X	Mandrel, Primary	52 3720R	Spring
14 17490612	Screw, Hex Washer Head, Thd., Roll. 3/8-16 x 3/4	53 12000039	Klip Ring
15 121798X	Blade	54 19171612	Washer 17/32 x 1 x 12 Gauge
16 STD623715	Bolt, Hex 3/8-24 x 1-1/2 Grade 5	55 105440X	Pin, Clevis
17 STD551137	Washer, Lock 3/8	56 105458X	Bracket, Outer, R.H.
18 19132012	Washer 13/32 x 1-1/4 x 12 Gauge	57 105460X	Bracket, Inner, R.H.
19 674A213	Idler Arm Assembly	58 110998X	Bracket, Inner, L.H.
20 7834J	Liner, Bearing	59 120000X	Bracket, Outer, L.H.
21 7835J	Bearing	60 73680500	Nut, Crownlock 5/16-18
22 72110522	Bolt, Carriage 5/16-18 x 2-3/4	61 120135X	Spacer
23 19111816	Washer 11/32 x 1-1/8 x 16 Gauge	62 19111016	Washer 11/32 x 5/8 x 16 Gauge
24 102403X	Pulley, Idler	63 110509X	Shield, Deflector
25 STD523715	Bolt, Hex Head 3/8-16 x 1-1/2	64 123713X	Spring, Deflector
26 STD541037	Nut, Hex 3/8-16	65 137607	Bracket, Deflector
27 104361X	Spring	66 106735X	Rod, Hinge
28 STD523112	Bolt, Hex 5/16-18 x 1-1/4 Grade 5	68 110452X	Nut, Push
29 19111216	Washer 11/32 x 3/4 x 16 Gauge	71 73220800	Nut, Hex 1/2-13
30 8438J	Spacer	74 72240608	Bolt, Carriage 3/8-16 x 1
32 105448X	Bracket, Gauge Wheel, R.H.	76 110884X	V-Belt
33 105449X	Bracket, Gauge Wheel, L.H.	77 19131614	Washer 13/32 x 1 x 14 Gauge
34 STD533707	Bolt, Carriage 3/8-16 x 3/4	78 121352X	Keeper, Belt
35 73680600	Nut, Crownlock 3/8-16	-- 136833	Decal, V-Belt Drive Schematic
36 105453X	Bar, Gauge Wheel	-- 121343X	Decal, Danger
37 5565J	Pin, Clevis		
38 4939M	Retainer, Spring		

NOTE: All component dimensions given in U. S. inches.
1 inch = 25.4 mm

REPAIR PARTS

50" REPLACEMENT DECK -- MODEL NUMBER 917.253891

ATTACHING PARTS



KEY PART NO. NO.

KEY PART NO. NO.	DESCRIPTION
1	677A451 Pulley, Idler
2	19132007 Washer 13/32 x 1-1/4 x 7 Gauge
3	120542X Bracket, Idler
4	7190J Spring
5	108367X Decal, Adjustment
6	74760632 Bolt, Hex Head 3/8-16 x 2
7	19131413 Washer 13/32 x 7/8 x 13 Gauge
8	10040600 Washer, Lock 3/8
9	73220600 Nut, Hex 3/8-16
10	74930516 Bolt, Hex Head 5/16-18 x 1
11	100644K Bushing, Handle, Clutch
12	19111416 Washer 11/32 x 7/8 x 16 Gauge
13	73680500 Locknut 5/16-18

KEY PART NO. NO.

KEY PART NO. NO.	DESCRIPTION
14	9135R Retainer Spring
15	74760636 Bolt, Hex Head 3/8-16 x 2-1/4
16	102933X Spacer
17	105429X Arm, Suspension
18	105413X Stud, Pivot, Center
19	10040800 Washer, Lock 1/2
20	73220800 Nut, Hex 1/2-13
21	19171616 Washer 17/32 x 1 x 16 Gauge
--	139567 Manual, Owner's

NOTE: All component dimensions given in U. S. inches.
1 inch = 25.4 mm

