

REPAIR PARTS MANUAL
MODEL NO. 250431
Lawn Tractor

*14.5 OHV 42"
6. GEAR*

CRAFTSMAN®

HOW TO USE THIS MANUAL

This manual is designed to provide the customer with a means to identify the parts on his/her tractor when ordering repair parts. The illustrations may or may not represent the actual assemblies; therefore, it is not recommended to use this manual as a guide to assemble or disassemble the tractor. Some hardware and parts are drawn larger in order to more readily identify them.

Each tractor has its own model number.

The model number for your tractor can be found on the fender under the seat.

When ordering parts, always give the following information:

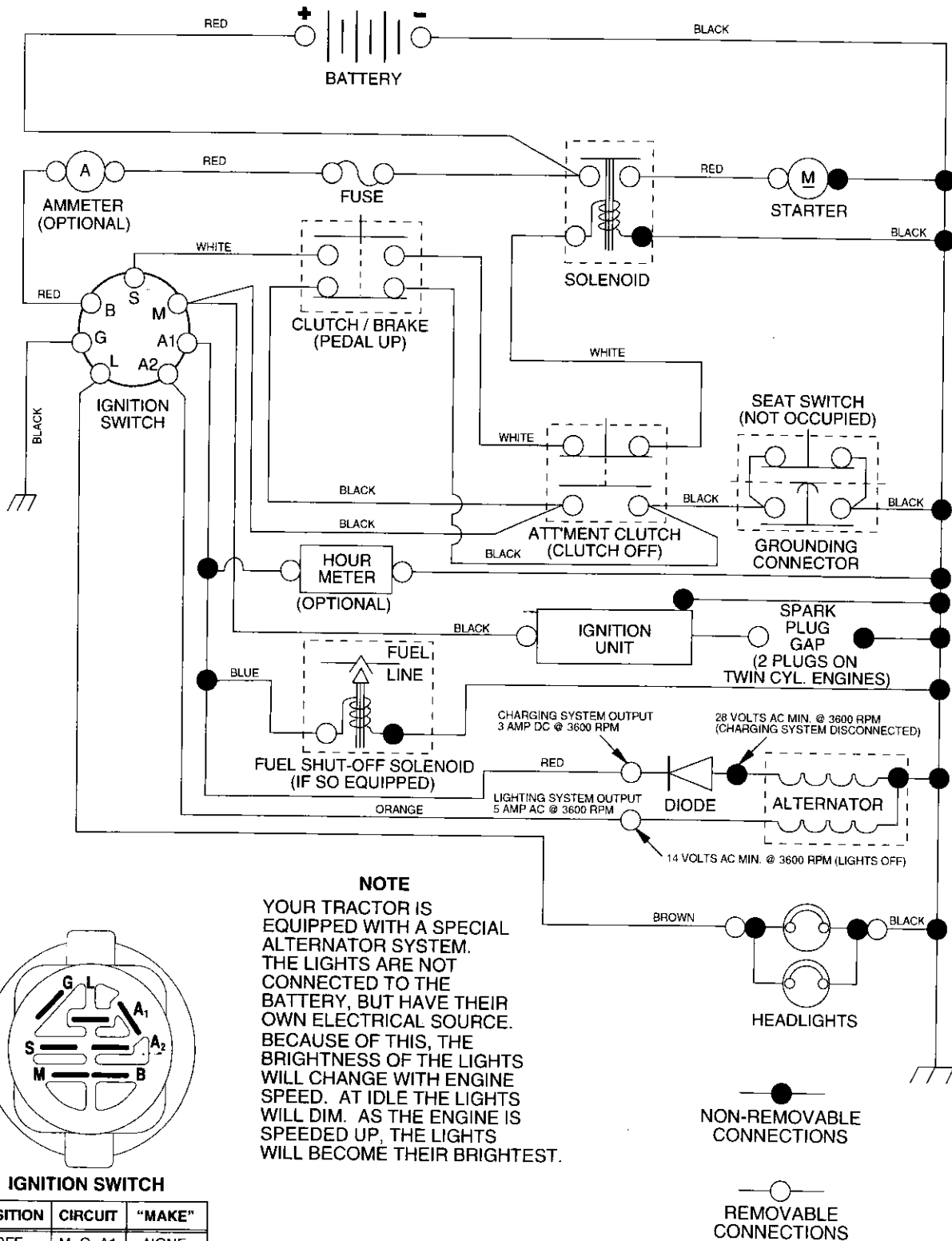
- Product - "Tractor"
- Model Number - "250431"
- Part Number
- Part Description

TABLE OF CONTENTS

SCHEMATIC	3
ELECTRICAL	4-5
CHASSIS	6-7
DRIVE	8-9
STEERING	10-11
SEAT	12
DECALS	13
ENGINE	14-15
MOWER LIFT	16-17
MOWER DECK	18-19
TRANSAXLE	20-21
ENGINE BREAKDOWN	22-27
WARRANTY	28

TRACTOR- -MODEL NO. 917. 250431

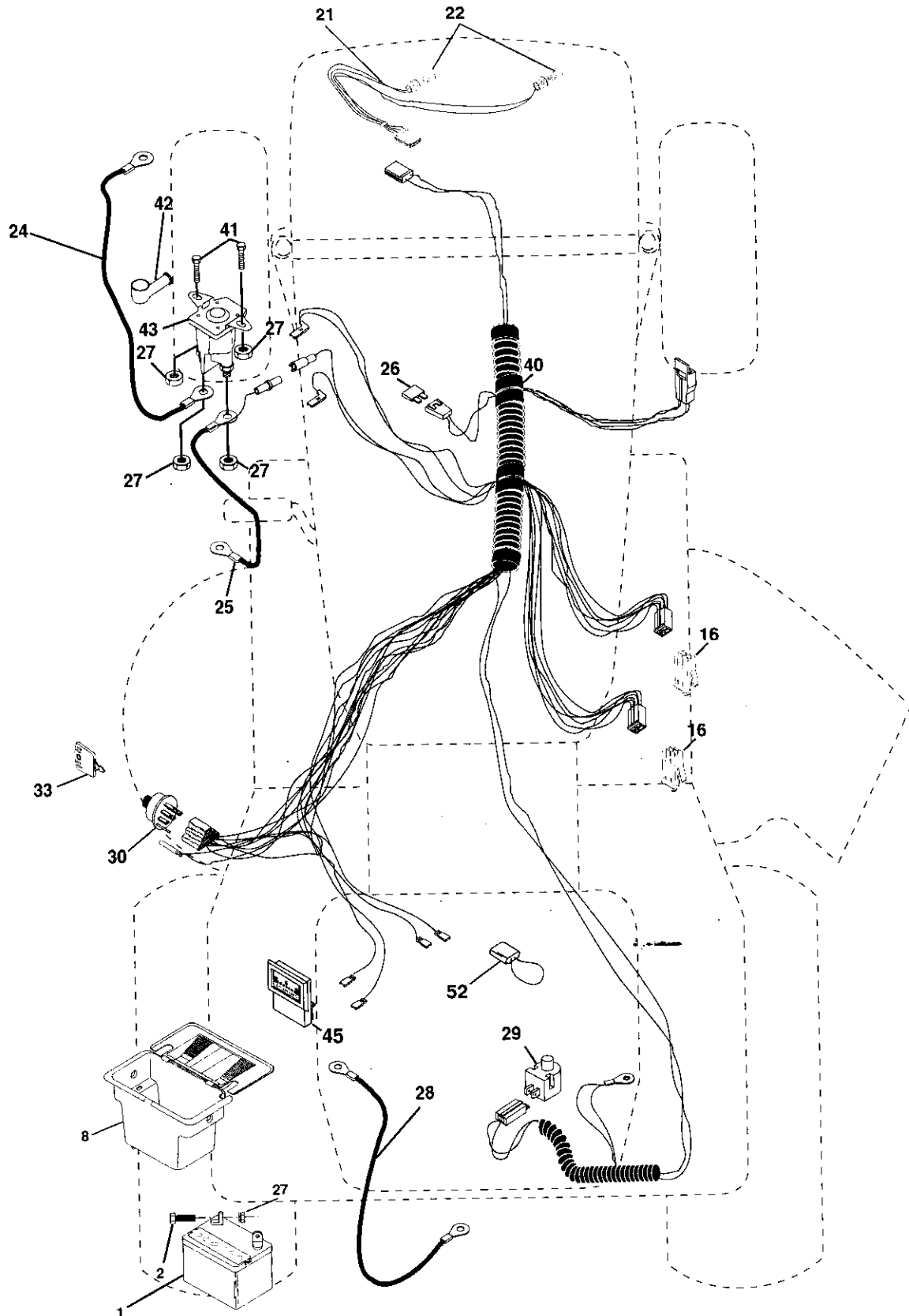
SCHEMATIC



REPAIR PARTS

TRACTOR- -MODEL NO. 917. 250431

ELECTRICAL



REPAIR PARTS

TRACTOR- -MODEL NO. 917. 250431

ELECTRICAL

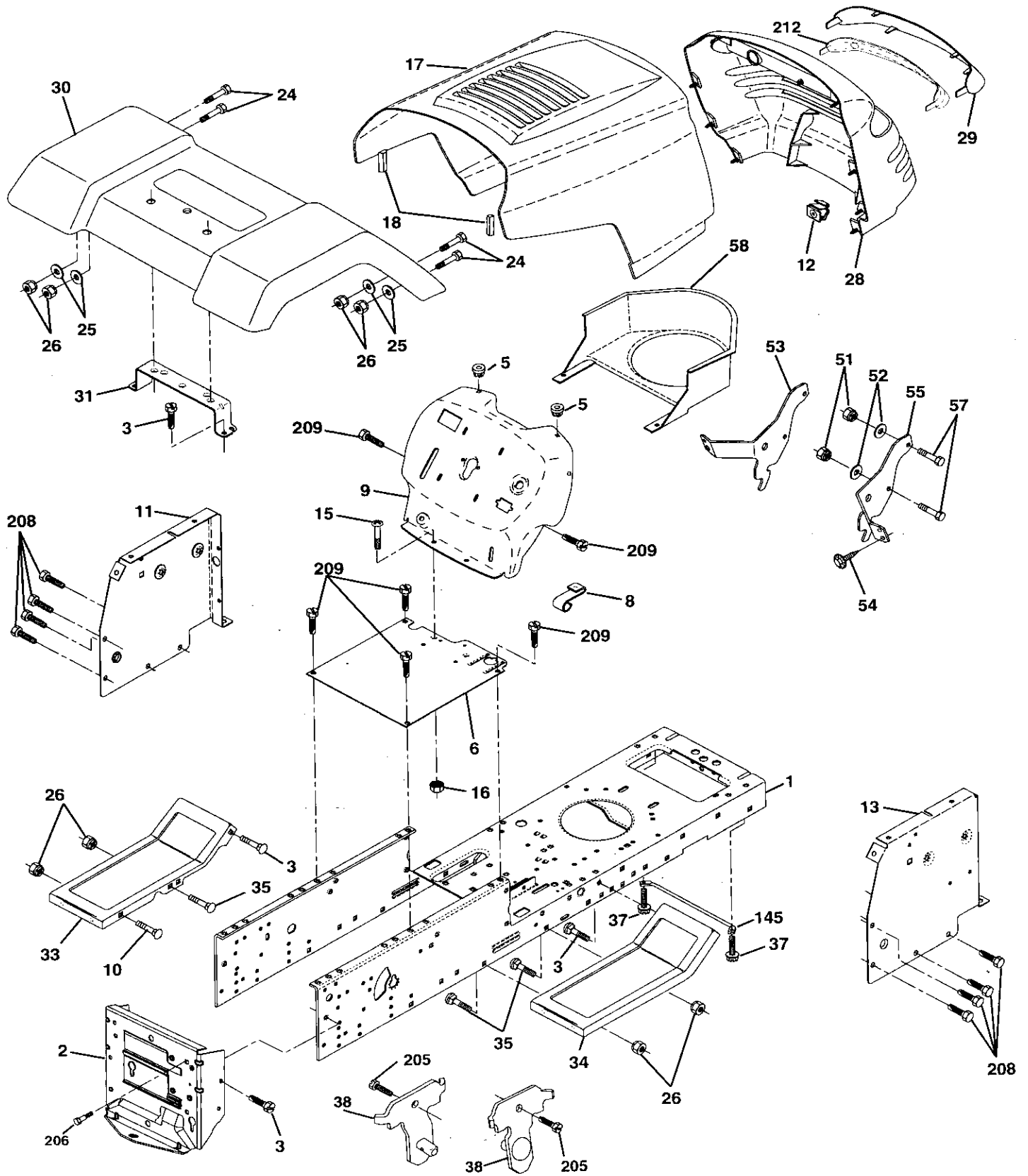
KEY NO.	PART NO.	DESCRIPTION
1	144925	Battery 12 Volt 25 AMP
2	74760412	Bolt Hex Hd 1/4-20unc X 3/4
8	156417	Case Battery
16	153664	Switch Interlock Push-In
21	166181	Harness Socket Light W/4152J
22	4152J	Bulb Light #1156
24	4799J	Cable Battery 6ga 11" red
25	146147	Cable Battery 6.Ga W/16 Wir red
26	175158	Fuse 20 AMP
27	73510400	Nut Keps Hex 1/4-20 Unc
28	4207J	Cable Ground 6ga 12" black
29	121305X	Switch Plunger Nc Gray
30	175566	Switch Ign Delta Push-In
33	140403	Key Ign Molded Craftsman, Delta
40	178437	Harness Ign
41	71110408	Bolt Blk Hex 1/4-20unc x 1/2
42	131563	Cover Terminal Red
43	178861	Solenoid
45	121433X	Ammeter Rectangular 6 AMP
52	141940	Protection Wire Loop

NOTE: All component dimensions give in U.S. inches
1 inch = 25.4 mm

REPAIR PARTS

TRACTOR- -MODEL NO. 917. 250431

CHASSIS AND ENCLOSURES



REPAIR PARTS

TRACTOR- -MODEL NO. 917. 250431

CHASSIS AND ENCLOSURES

KEY NO.	PART NO.	DESCRIPTION
1	174620	Chassis
2	176554	Drawbar
3	17060612	Screw 3/8-16 x 3/4
5	155272	BumperHood/Dash
6	174643X010	Saddle
8	126471X	Clip Insulator .406 Mtg Hole
9	168348X012	Dash Silkscr Plm Mech Sym
10	72140608	Bolt RdHd Sqnk. 3/8-16 x 1
11	155927	Panel Asm. Dash Lh
12	145660	Clip Tinnerman Grille P/L
13	172107X010	Panel Dash Rh
15	74180512	Screw Mach Trhd 5/16-18unc x 3/4
16	73510500	Nu Keps 5/16-18unc
17	159639X558	Hood Pnt Steel Private Label
18	126938X	BumperHood
24	74780616	Bolt Fin Hex 3/8-16 Unc x 1 Gr. 5
25	19131312	Washer 13/32 x 13/16 x 12 Ga.
26	73800600	Nut Lock Hex w/Ins 3/8-16 Unc
28	140434	Grill/Lens Asm
29	140273X599	Lens Grille Private label
30	169465X558	Fender Pnt
31	136619	Bracket Fender Support
33	145244X558	Footrest Pnt. Lh
34	145243X558	Footrest Pnt. Rh
35	72110606	Bolt RdHd Sht. Sqnk. 3/8-16 x 3/4
37	17490508	Screw Thdrol 5/16-18 x 1/2 Tyt
38	175710	Bracket Asm. Pivot Mower Rear
51	73800400	Nut Lock Hex W/Ins. 1/4-20
52	19091416	Washer 9/32 x 7/8 x 16 Ga.
53	144697	Bracket Grille LH
54	161464	Screw Hex Wshd #8-18 x 7/8
55	144696	Bracket, Grille RH
57	74780412	Bolt Fin Hex 1/4-20 x 3/4
58	150127	Air Duct Private Label LT Engine
145	156524	Rod Pivot Chassis /Hood
205	17490608	Screw Thdrol 3/8-16 x 1/2
206	170165	Bolt Shoulder 5/16-18 TT
208	17670608	Screw Thdrol. 3/8-16 x 1/2
209	17000612	Screw Hex Wsh Thdrol 3/8-16 BL
212	156229	Insert Lens Reflective
--	5479J	Plug Button Blk .359 Dia. Choke

NOTE: All component dimensions give in U.S. inches
1 inch = 25.4 mm

REPAIR PARTS

TRACTOR- -MODEL NO. 917. 250431

DRIVE

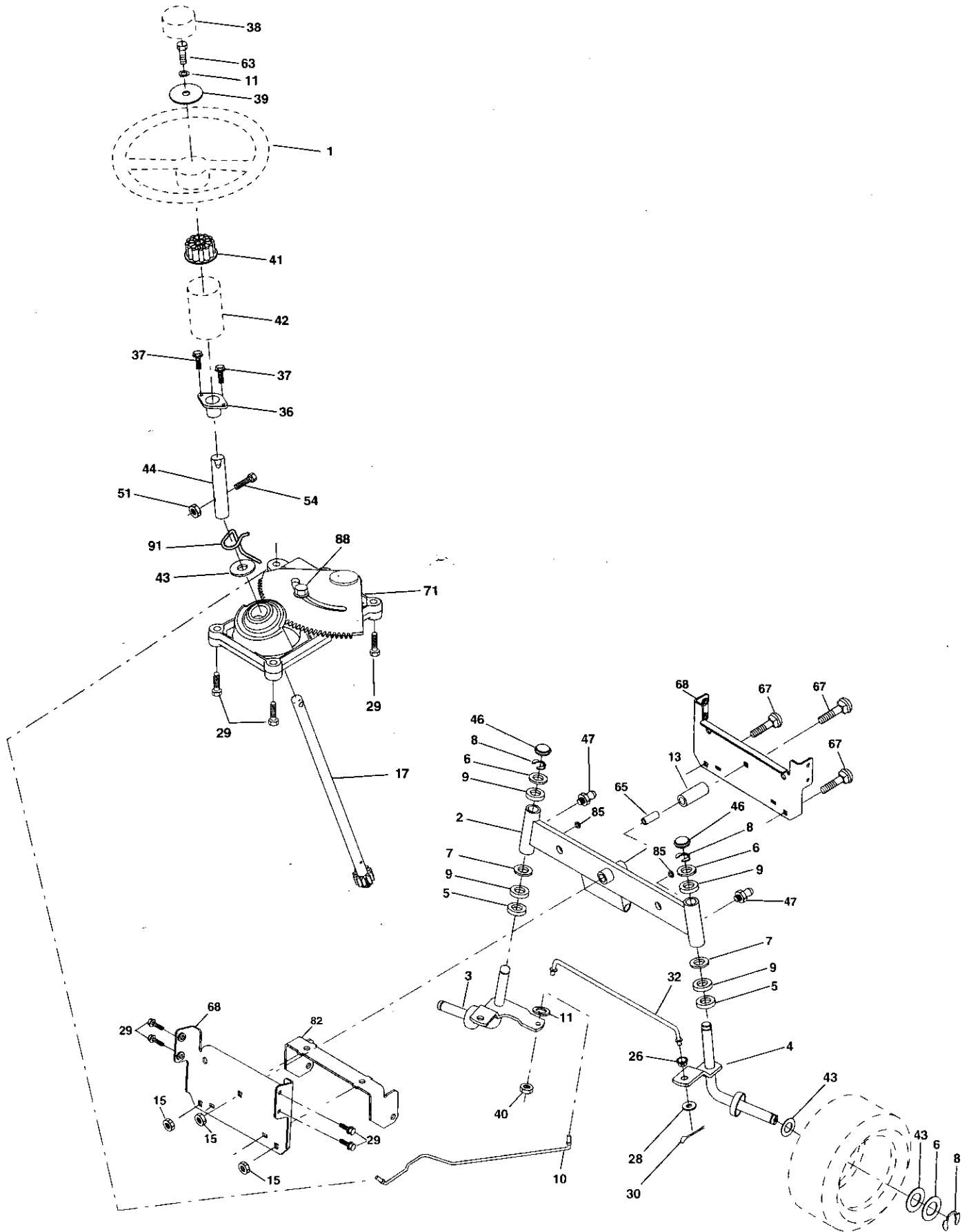
KEY NO.	PART NO.	DESCRIPTION	KEY NO.	PART NO.	DESCRIPTION
1	----	Transaxle (See Breakdown) Dana 4360-140	48	154407	Bellcrank Clutch Grn Drv Stl
2	146682	Spring Return Brake T/a Zinc	49	123205X	Retainer Belt Style Spring
3	123666X	Pulley Transaxle 18/20" tires	50	STD523715	Bolt Hex Hd 3/8-16unc x 1-1/2
4	12000028	Ring Retainer # 5100-62	51	STD541437	Nut Crownlock 3/8-16 UNC
5	121520X	Strap Torque 30 Degrees	52	STD541431	Nut Crown Lock 5/16-18
6	17060512	Screw 5/16-18 x 3/4	53	105710X	Link Clutch 7 66
7	162240	Bracket Saddle Shift T/a	55	105709X	Spring Return Clutch 6 75
8	131679	Rod Shf Sdl LY/YT Str Blk Zinc	56	STD523712	Bolt Fin Hex 3/8-16 unc x 1-1/4
10	STD561210	Pin Cotter 1/8 x 1 Cad	57	160855	V-Belt Gd Drive
11	105701X	Washer Plate Shf 388 Sq Hole	59	169691	Keeper Belt Centerspan
12	19151216	Washer 15/32 x 3/4 x 16ga	61	17060612	Screw 3/8-16 x 3/4
13	74550412	Bolt 1/4-28unf Gr8 W/Patch	62	8883R	Cover Pedal Blk Round
14	STD551125	Washer Lock Hvy Helical 1/4	63	175410	Pulley Eng
18	STD523710	Bolt Fin Hex 3/8-16 x 1	64	71170764	Bolt Hex 7/16-20 x 4 Gr 5
19	STD541437	Nut Lock Hex W/Ins. 3/8-16 Unc	65	STD551143	Washer Lock Hvy Hlcl Spr 7/16
21	106933X	Knob Rd 1/2-13 Plstc Thds Blk	66	154778	Keeper Belt Engine
22	130804	Rod Brake Blk Zinc 26 840	70	134683	Guide Belt Mower Drive RH
24	STD541237	Nut Hex Jam 3/8-16 Unc	74	109502X	Spacer Axle
25	106888X	Spring Rod Brake 2 00 Zinc	75	121749X	Washer 25/32 x 1 1/4 x 16 Ga
26	19131016	Washer 13/32 x 5/8 x 16 Ga	76	STD581075	E-ring #5133-75
27	STD561210	Pin Cotter 1/8 x 3/4 Cad	77	123583X	Key Square 2 0 x 1845/ 1865
28	175765	Rod Brake Parking Lt/Yt	78	121748X	Washer 25/32 x 1-5/8 x 16ga
29	71673	Cap Brake Parking	79	2228M	Key Woodruff
30	174973	Bracket Mtg Transaxle	96	STD624003	Retainer Spring 1"
32	STD523107	Bolt Hex Hd 5/16-18unc x 3/4	112	19091210	Washer 9/32 x 3/4 x 10 Ga
34	175578	Shaft Asm Pedal Foot	113	127285X	Strap Torque
35	120183X	Bearing Nylon Blk 629 Id	116	72140608	Bolt Rdhd Sq Neck 3/8-16 x 1
36	STD551062	Washer 21/32 x 1 x 16 Ga	120	73900600	Nut Lock Flg 3/8-16
37	STD571810	Pin Roll 3/16 x 1"	145	74490544	Bolt Hex Flghd 5/16-18 Gr. 5
38	165936	Pulley Idler Composite	150	175456	Spacer Retainer
39	74760648	Bolt Fin Hex 3/8-16 Unc X 3	151	19133210	Washer 13/32 x 2 x 10 Ga
40	175461	Spacer Split Steel	170	173898	Keeper Belt Transaxle Gear
41	175556	Keeper Belt Idler	202	72110614	Bolt Carr Sh 3/8-16 x 1-3/4 Gr. 5
42	19131312	Washer 13/32 x 13/16 x 12 Ga	212	145212	Nut Hex Flg Lock
47	127783	Pulley Idler V Groove Plastic			

NOTE: All component dimensions given in U. S. inches 1 inch = 25.4 mm

REPAIR PARTS

TRACTOR- -MODEL NO. 917. 250431

STEERING ASSEMBLY



REPAIR PARTS

TRACTOR- -MODEL NO. 917. 250431

STEERING ASSEMBLY

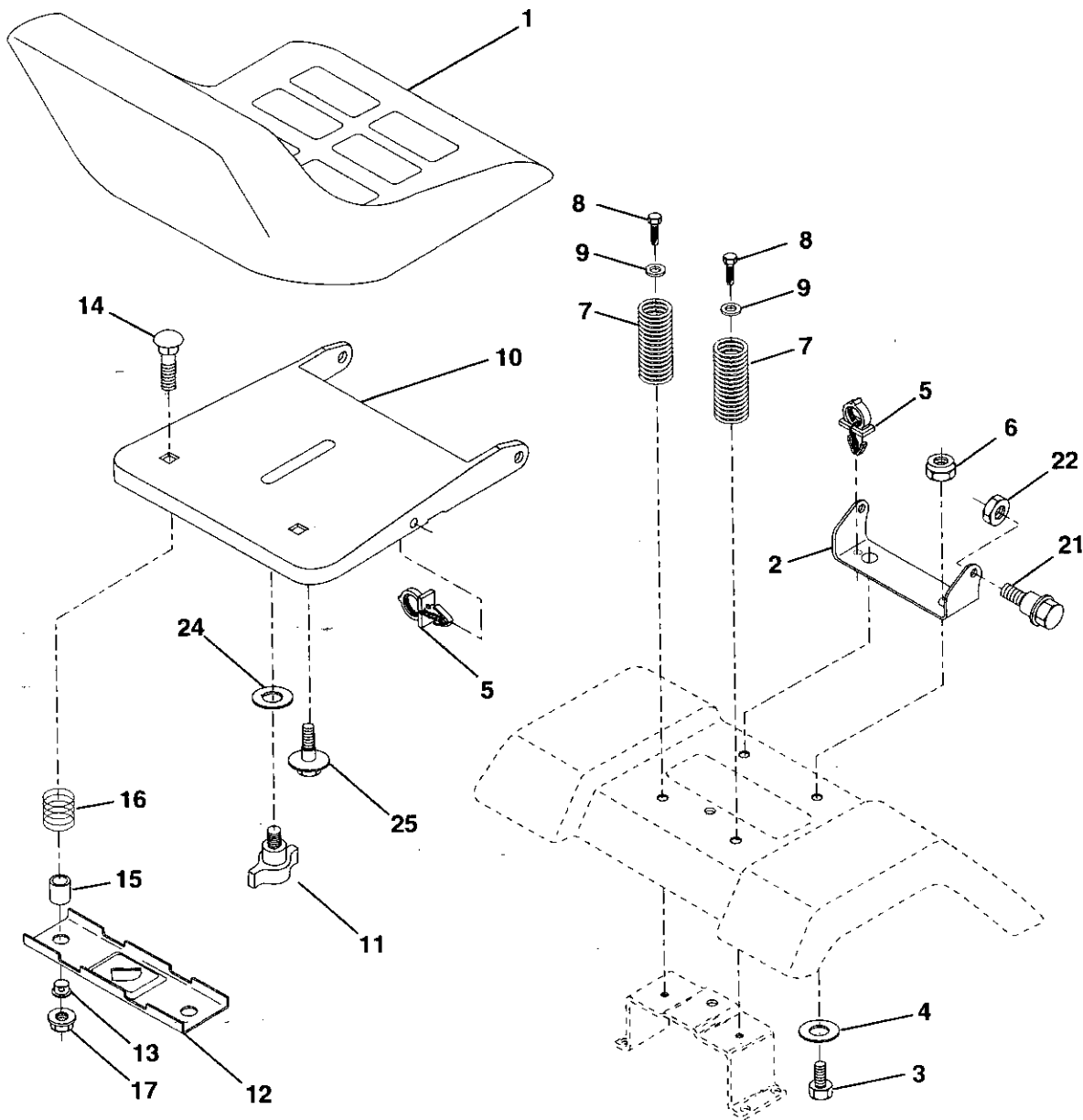
KEY NO.	PART NO.	DESCRIPTION
1	139768	Wheel Steering Opp Sears Blk
2	154427	Axle Asm Front Lt
3	156483	Spindle Asm Lh
4	157473	Spindle Asm Rh
5	6266H	Washer Thrust .75 x 1.230
6	121748X	Washer 25/32 x 1-5/8 x 16 Ga.
7	19272016	Washer 27/32 x 1-1/4 x 16 Ga.
8	12000029	RingKlip#T5304-75
9	3366R	Bearing Col Strg Blk
10	175121	Draglink
11	10040600	Washer Lock Hvy Hlcl Spr 3/8
13	136518	Spacer Brg Axle Front
15	145212	Nut Hexflange Lock
17	177876	Shaft Asm Strg
26	126847X	Bushing Llnk Drag Blk LR
28	19131416	Washer 13/32 x 7/8 x 16 Ga.
29	17060612	Screw 3/8-16 x 3/4
30	STD561210	Pin Cotter 1/8 x 3/4 Cad
32	130465	Rod Tie Wire Form 19.75 Mech
36	155099	Bushing Strg. 5/8 ID Dash
37	152927	Screw
38	139769	Cap Wheel Steer Opp Sears USA
39	19133812	Washer 13/32 x 2-3/8 x 12 Ga.
40	7810H	Nut Lock Center 3/8-24
41	100711L	Adaptor Wheel Strg.
42	145054X428	Boot Steering Dash P/L MTL Blk
43	121749X	Washer 25/32 x 1-1/4 x 16 Ga.
44	153720	Extension Steering Non-adjust
46	121232X	Cap Spindle Fr Top Blk
47	6855M	Fitting Grease
51	73800500	Nut Lock Hx W/Ins 5/16-18unc
54	74780520	Bolt Fin Hex 5/16-18unc
63	74780616	Bolt Fin Hex 3/8-16unc x 1 Gr. 5
65	160367	Spacer Axle
67	72140618	Bolt Rdhd 3/8-16 x 2-1/4
68	169827	Brace Axle
71	175146	Steering Asm
82	169835	Bracket Susp Chasis Front
85	133835	Fastner Christmas Tree
88	175118	Bolt Shoulder 7/16-20 Unc
91	175553	Clip Steering

NOTE: All component dimensions given in U.S. inches 1 inch = 25.4 mm

REPAIR PARTS

TRACTOR- -MODEL NO. 917.250431

SEAT ASSEMBLY



KEY NO.	PART NO.	DESCRIPTION
1	140122	Seat
2	140551	Bracket Pvt St
3	71110616	Bolt Fin Hex 3/8-16unc X 1
4	19131610	Washer Flat 13/32 X 1 X 10 Ga
5	145006	Clip Push-In Hinged
6	STD541437	Locknut Hex W/Wsh 3/8-16
7	124181X	Spring Seat Cprsn 2 250 Blk Zi
8	17000616	Screw 3/8-16 X 1-1/2
9	19131614	Washer 13/32 X 1 X 14 Ga
10	174894	Pan Seat
11	166369	Knob Seat Adj. Wingnut
12	121246X	Bracket Mounting Switch

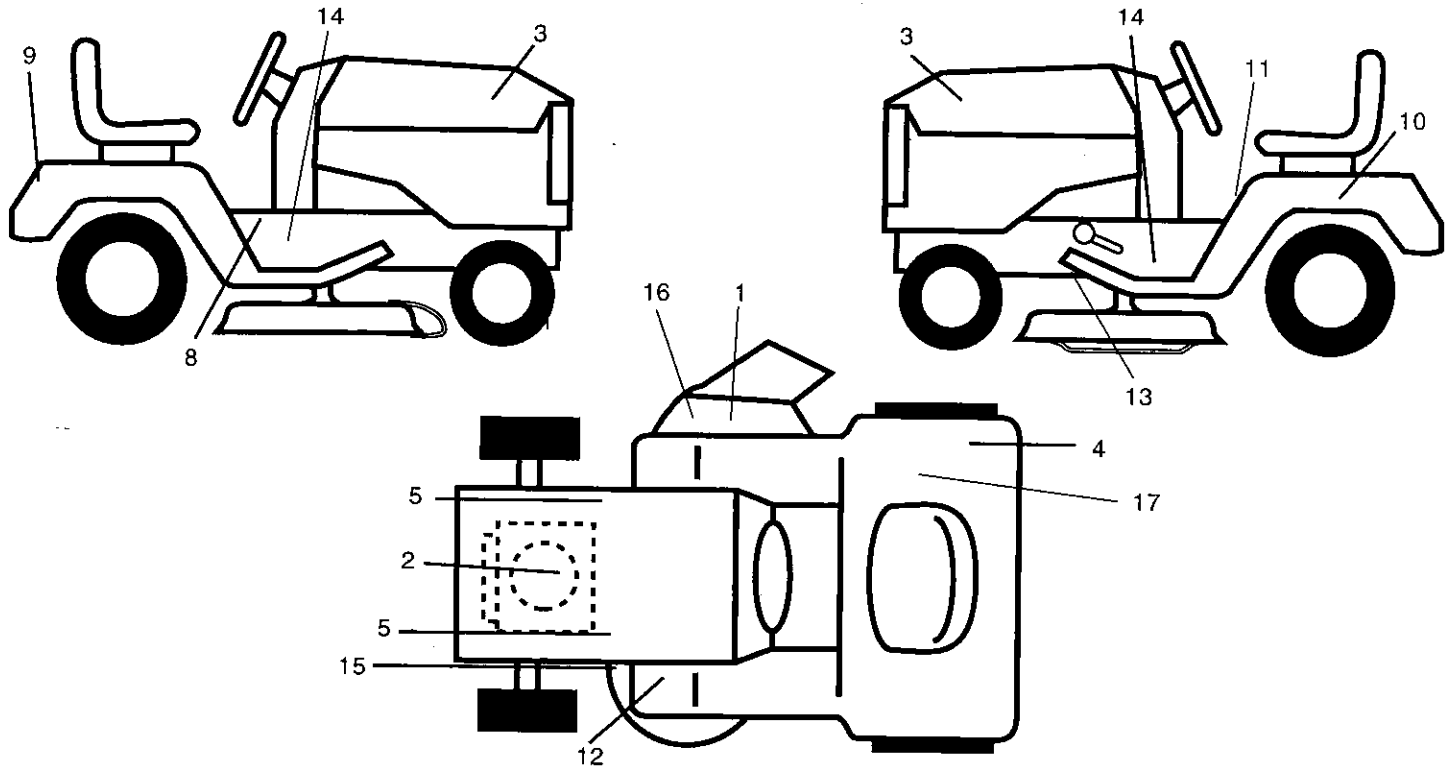
KEY NO.	PART NO.	DESCRIPTION
13	121248X	Bushing Snap Blk Nyl 50 Id
14	72050412	Bolt Rdhd Sht Nk 1/4-20x1-1/2
15	134300	Spacer Split 28x 96 Yel Zinc
16	121250X	Spring Cprsn 1 27 Blk Pnt
17	123976X	Nut Lock 1/4 Lge Flg Gr 5 Zinc
21	171852	Bolt Shld 5/16-18 Unc-2A Blk D
22	STD541431	Nut Lock Hex "W/Ins 5/16-18
24	19171912	Washer 17/32 X 1-3/16 X 12 Ga
25	127018X	Bolt Shoulder 5/16-18 x .62

NOTE: All component dimensions given in U.S. inches
1 inch = 25.4 mm

REPAIR PARTS

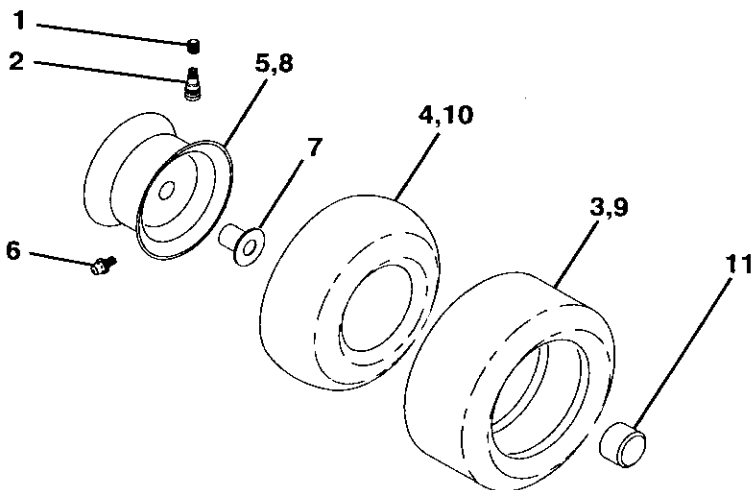
TRACTOR- -MODEL NO. 917.250431

DECALS



KEY NO.	PART NO.	DESCRIPTION	KEY NO.	PART NO.	DESCRIPTION
1	179128	Decal Deck	13	146046	Decal V-Belt Dr Sch Tractor
2	176675	Decal HP Engine	14	177097	Decal Lower DSH
3	171704	Decal Hood Logo	15	160396	Decal V-Belt Sch
4	126187X	Decal Certification	16	145494	Decal International Cutfinger
5	159736	Decal Chass Hot Muffler	17	145437	Decal Europe Stand CE
8	140837	Decal Brake Park Saddle	--	162598	Decal Draw Bar
9	163204	Decal Fender Craftsman White	--	157199X428	Pad Footrest
10	145005	Decal Battery Dngr/Psn Eng Acme	--	138311	Decal Handle Lft Height Adjust
11	145498	Decal Read Owner's Manual	--	177899	Manual Operator's Euro
12	159737	Decal Clutch/brake	--	177900	Manual Operator's Scans
			--	179279	Manual Repair Parts

WHEELS & TIRES



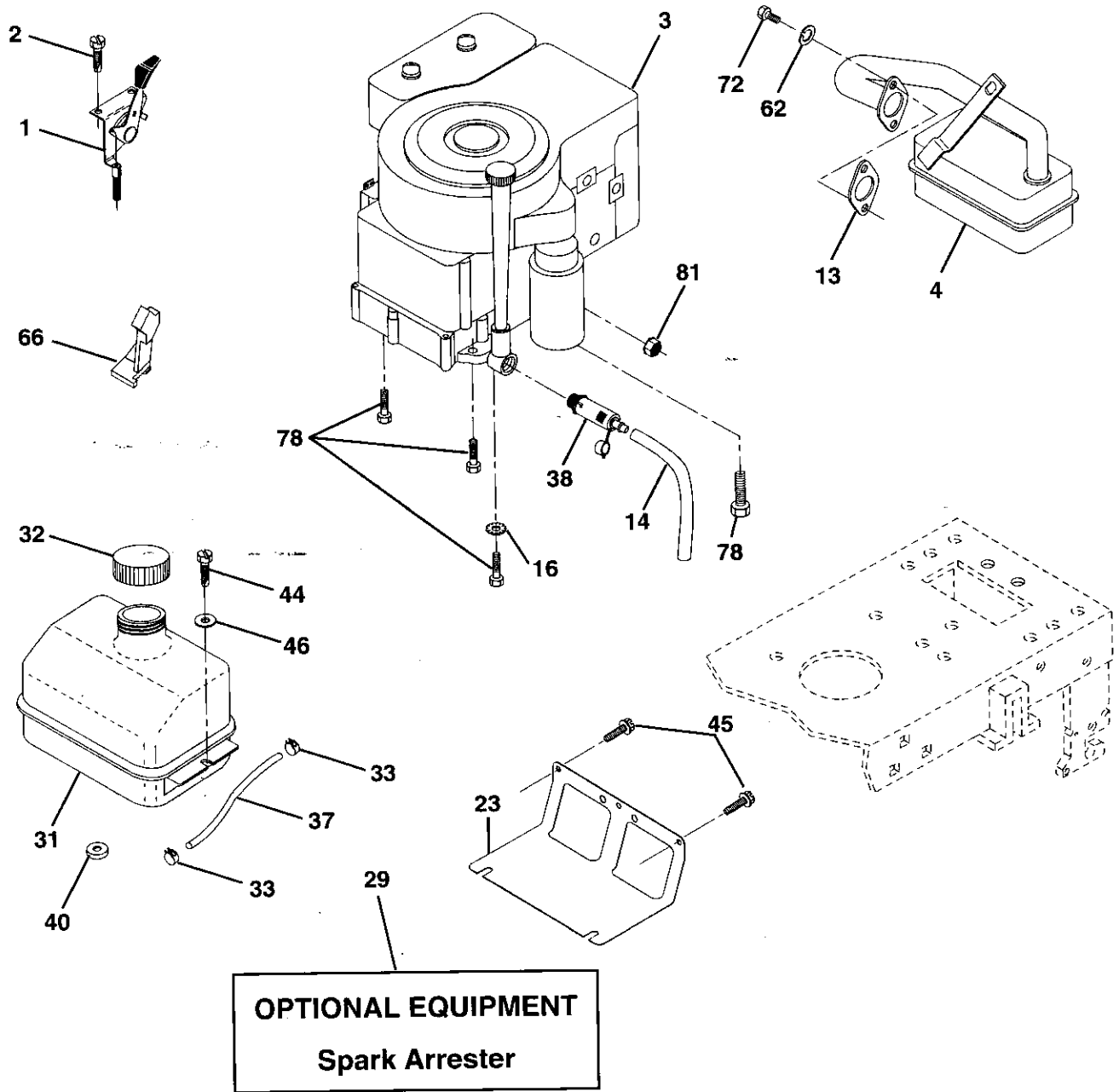
KEY NO.	PART NO.	DESCRIPTION
1	59192	Cap Valve Tire
2	65139	Stem Valve
3	106222X	Tire F Ts 15 X 6 0 - 6 Service
4	59904	Tube Inner Front #35060
5	106732X427	Rim Asm 6"front White Service
6	278H	Fitting Grease
7	9040H	Bearing Flange
8	106108X427	Rim Asm 8"rear White Service
9	124635X	Tire R Ts 18x9 5-8 Service
10	7152J	Tube Rear 9 5 X 8 Service
11	104757X428	Cap Axle Blk 1 50 X 1 00
--	144334	Sealant, Tire (10 oz. tube)

NOTE: All component dimensions given in U.S. inches
1 inch = 25.4 mm

REPAIR PARTS

TRACTOR- -MODEL NO. 917.250431

ENGINE



REPAIR PARTS

TRACTOR- -MODEL NO. 917.250431

ENGINE

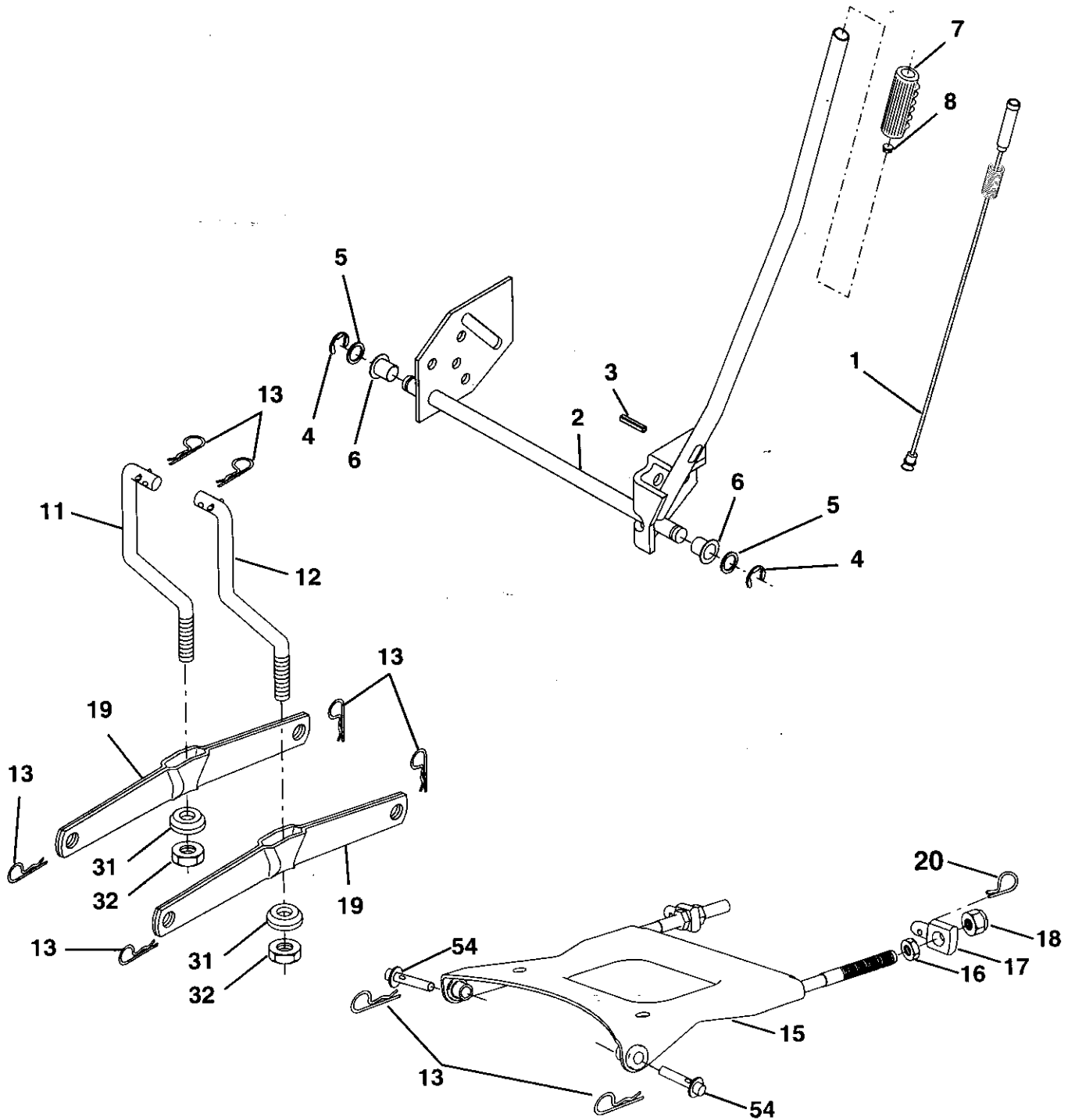
KEY NO.	PART NO.	DESCRIPTION
1	170549	Control Th/ch
2	17720410	Screw Hex Thd Cut 1/4-20x5/8 T
3	-----	Engine (See Breakdown) Briggs, Model No 287707-1259-E1
4	137352	Muffler Exh LT B&S 14HP IC OHV
13	165291	Gasket Eng 1 313 Id Tin Plated
14	148456	Tube. drain
16	STD551237	Washer Lock Ext Tooth 3/8
23	169837	Shield Browning/Debris Guard
29	137180	Kit Spark Arrestor (Flat Scrn)
31	109202X	Tank Fuel Front 1 25
32	158990	Cap Asm Fuel Sears Vented
33	123487X	Clamp Hose Blk
37	137040	Line Fuel 20"
38	148315	Plug. drain
40	124028X	Bushing Snap Nyl Blk Fuel Line
44	17670412	Screw Hexwsh Thdrol 1/4-20 x 3/4
45	17000612	Screw Hex wsh Thdr 3/8-16 x 1/4
46	19091416	Washer 9/32 x 7/8 x 16 ga
62	STD551131	Washer Lock Hvy Hlcl Spr 5/16
66	127951	Stop Throttle
72	71070512	Screw Hex Hd Cap 5/16-18 X 3/4
78	17060620	Screw 3/8-16 x 1-1/4
81	73510400	Nut Keps Hex 1/4-20 Unc

NOTE: All component dimensions given in U.S. inches
1 inch = 25.4 mm

REPAIR PARTS

TRACTOR- -MODEL NO. 917.250431

MOWER LIFT



REPAIR PARTS

TRACTOR- -MODEL NO. 917.250431

MOWER LIFT

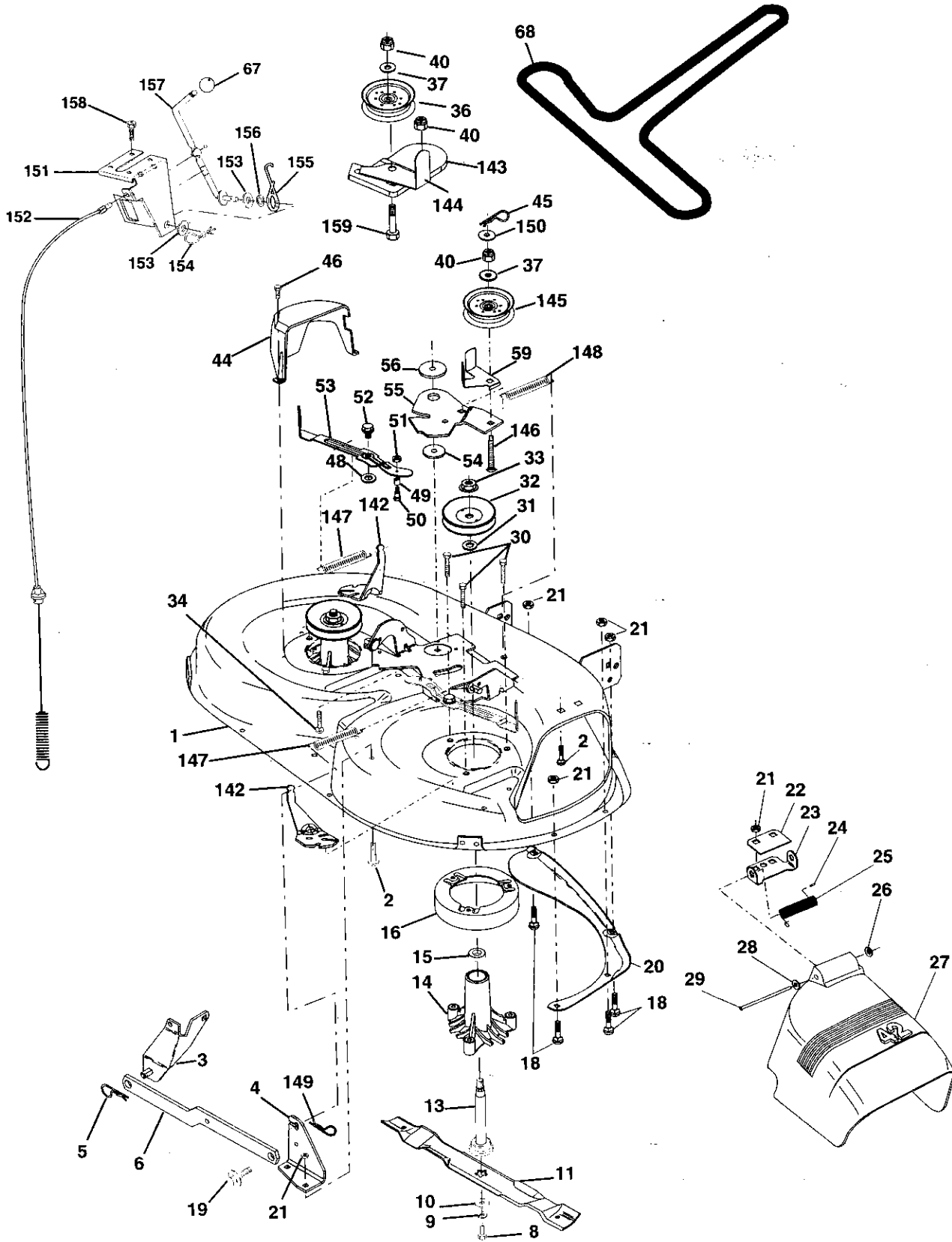
KEY NO.	PART NO.	DESCRIPTION
1	159460	Wire Asm Inner/Sprg W/ plungerLT
2	159471	Shaft Asm Lift
3	105767X	Pin Groove 1 500 Zinc
4	12000002	E Ring #5133-62
5	19211621	Washer Pltd 21/32 X 1 X 21ga
6	120183X	Bearing Nylon Blk 629 Id
7	125631X	Grip Handle Fluted Blk
8	122365X	Button Plunger Red
11	139865	Link Lift LH
12	139866	Link Lift RH
13	STD624008	Retainer Spring
15	173288	Link Front
16	73350800	Nut Jam Hex 1/2-13 Unc
17	175689	Trunnion
18	73800800	Nut Lock W/Wsh 1/2-13unc
19	139868	Arm Suspension Rear
20	163552	Retainer Spring Zinc
31	169865	Bearing Pvt Lift
32	73540600	Nut Crownlock 3/8-24

NOTE: All component dimensions given in U.S. inches
1 inch = 25.4 mm

REPAIR PARTS

TRACTOR- -MODEL NO. 917.250431

MOWER



REPAIR PARTS

TRACTOR- -MODEL NO. 917.250431

MOWER

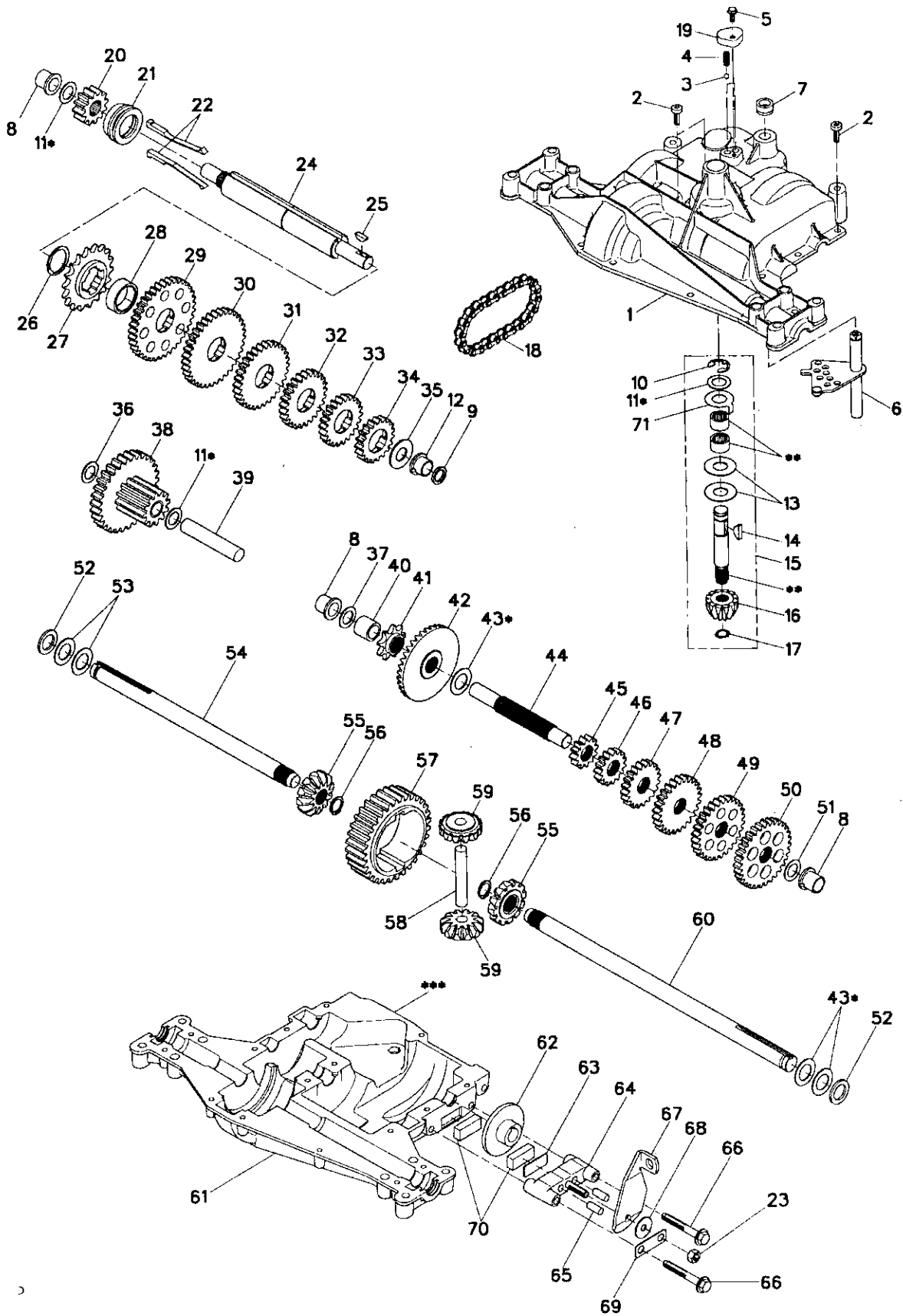
KEY NO.	PART NO.	DESCRIPTION	KEY NO.	PART NO.	DESCRIPTION
1	165892	Mower Deck Assembly, 42"	46	137729	Screw, Thd. Roll 1/4-20 x 5/8
2	STD533107	Bolt	48	133944	Washer, Hardened
3	138017	Bracket Assembly, Sway Bar, Front	49	174284	Roller Assembly, Cam Follower
4	165460	Bracket Sway Bar 38/42" Deck	50	131340	Bolt, Shoulder #10-24 Grade 5
5	STD624008	Retainer Spring	51	STD541410	Locknut
6	130832	Arm, Suspension, Rear	52	139888	Bolt, Shoulder 5/16-18 UNC
8	850857	Bolt, Hex 3/8-24 x 1.25 Gr. 8	53	131845	Arm Assembly, Pad, Brake
9	STD551137	Washer, Lock	54	133943	Washer, Hardened
10	140296	Washer, Hardened	55	155046	Arm, Idler
11	134149	Blade, Mulching	56	165723	Spacer, Retainer
13	137645	Shaft Assembly, Mandrel	59	141043	Guard, TUV Idler
14	128774	Housing, Mandrel, Vented	67	149846	Knob Custom Oval
15	110485X	Bearing, Ball, Mandrel	68	144959	V-Belt
16	174493	Stripper, Vented Mower Deck	142	165890	Arm Spring Brake Mower
18	72140505	Bolt, Carriage 5/16-18 x 5/8	143	157109	Bracket Arm Idler 42"
19	132827	Bolt, Shoulder	144	158634	Keeper Belt 42" Clutch Cable
20	159770	Baffle, Vortex	145	165888	Pulley Idler Flat
21	STD541431	Nut Crownlock 5/16-18 UNC	146	171977	Bolt Carriage Idler
22	134753	Stiffener Bracket	147	131335	Spring Extension
23	131267	Bracket, Deflector	148	169022	Spring Return Idler
24	105304X	Cap, Sleeve	149	165898	Retainer Spring Yellow Zinc
25	123713X	Spring, Torsion, Deflector	150	19091216	Washer 9/32 x 3/4 x 16 Ga.
26	110452X	Nut, Push	151	169670	Bracket Clutch
27	130968X428	Shield, Deflector	152	169676	Cable Clutch 42 In
28	19111016	Washer 11/32 x 5/8 x 16 Ga.	153	169674	Washer Flat 3/8" Type B
29	131491	Rod, Hinge	154	169675	Spring Retainer
30	157722	Screw Thdrol Washer Head	155	169671	Spring Retention Lever
31	129963	Washer, Spacer	156	169672	Spacer
32	153535	Pulley, Mandrel	157	169669	Rod Clutch
33	137266	Nut, Toplock, Flanged	158	17720410	Screw Hex Thd Cut 1/4-20 x 5/8
34	STD533717	Bolt	159	72140614	Bolt Rdhd Sqn 3/8-16unc x 1-3/4
36	131494	Pulley, Idler, Flat	--	130794	Mandrel Assembly (Includes Key
37	STD551037	Washer 13/32 x 13/16 x 16 Gauge			Numbers 8-10, 13-15, 31 and 32)
40	STD541437	Nut Crownlock 3/8-16 UNC	--	169583	Replacement Mower, Complete
44	140088	Guard, Mandrel, L.H.			
45	STD624003	Retainer			

NOTE: All component dimensions given in U.S. inches
1 inch = 25.4 mm

REPAIR PARTS

TRACTOR - - MODEL NUMBER 917.250431

DANA TRANSAXLE - MODEL NUMBER 4360-140



REPAIR PARTS

TRACTOR - - MODEL NUMBER 917.250431

DANA TRANSAXLE - MODEL NUMBER 4360-140

KEY NO.	PART NO.	DESCRIPTION	KEY NO.	PART NO.	DESCRIPTION
1	170981	Housing, Upper	40	120472X	Spacer, .633 X .87 X .755
2	2274J	Screw, Tapping, 1/4-20 X .734	41	105928X	Sprocket, 9T
3	134400	Ball, Detent	42	170988	Gear, Bevel, 36T
4	105904X	Spring, Detent	43	134394	* Assy, Kit, Shim, .750 Shaft
5	160940	Screw, Tapping, No. 10-24 X .482	44	120473X	Shaft, Drive
6	138235	Assy, Kit, Shifter	45	142678	Gear, Spur, 12T
7	108727X	V-Ring	46	143697	Gear, Spur, 15T
8	148266	Bearing, Flange	47	124641X	Gear, Spur, 20T
9	148269	Seal, Oil	48	106589X	Gear, Spur, 25T
10	2225J	Ring, Retaining	49	120408X	Gear, Spur, 28T
11	134793	* Assy, Kit, Shim, .625 Shaft	50	105937X	Gear, Spur, 31T
12	148268	Bearing, Flange	51	2226J	Washer, Plain, .632 X 1.00 X .060
13	120415X	Washer, Plain, .632 X 1.38 X .046	52	134401	Washer, Neoprene
14	142674	Key, Woodruff, No. 9	53	2264J	Washer, Plain, .758 X 1.25 X .031
15	170983	Assy, Kit, Input Shaft	54	160946	Axle, LH
16	170986	Pinion, Bevel, 12T	55	170990	Gear, Miter, 1 2T, Splined
17	105909X	Ring, Retaining	56	160948	Ring, Retaining
18	105910X	Chain, 24 Pitches	57	110071X	Gear, Spur, 32T
19	160942	Cover, Detent	58	120952X	Shaft, Cross
20	160943	Gear, Spur, 1 2T	59	170991	Gear, Miter, 1 2T, Idler
21	148267	Collar, Clutch	60	160950	Axle, RH
22	138236	Assy, Kit, Clutch Keys	61	170992	Housing, Lower
23	73810500	Nut, Lock, 5/16-24	62	7294J	Disc, Brake
24	142676	Shaft, Intermediate	63	108989X	Spacer, Brake Puck
25	2244J	Key, Woodruff, No. 61	64	160952	Jaw, Brake
26	105916X	Ring, Retaining	65	120954X	Pin, Dowel
27	120470X	Sprocket, 1 8T	66	160953	Screw, Tapping, 5/16-18 X 2.35
28	110070X	Spacer, 1. 131 X 1.45 X .494	67	138244	Lever, Actuating
29	142677	Gear, Spur, 37T	68	108996X	Washer, Plain, .321 X 1.00 X .055
30	142681	Gear, Spur, 35T	69	160954	Bracket, Anti-Rotation
31	124644X	Gear, Spur, 30T	70	120951X	Puck, Friction
32	108980X	Gear, Spur, 25T	71	174256	Washer, Anti Rotation
33	120406X	Gear, Spur, 22T	72	120416X	Grease
34	134796	Gear, Spur, 19T			
35	105925X	Washer, Plain, .640 X 1.37 X .061			
36	2228J	Washer, Plain, .632 X 1.00 X .046			
37	170987	Washer, Plain, .632 X 1.00 X .031			
38	174255	Assy, Gear, Comb., 12T & 30T			
39	124639X	Shaft, Idler			

NOTE: All component dimensions given in U.S. inches
1 inch = 25.4 mm

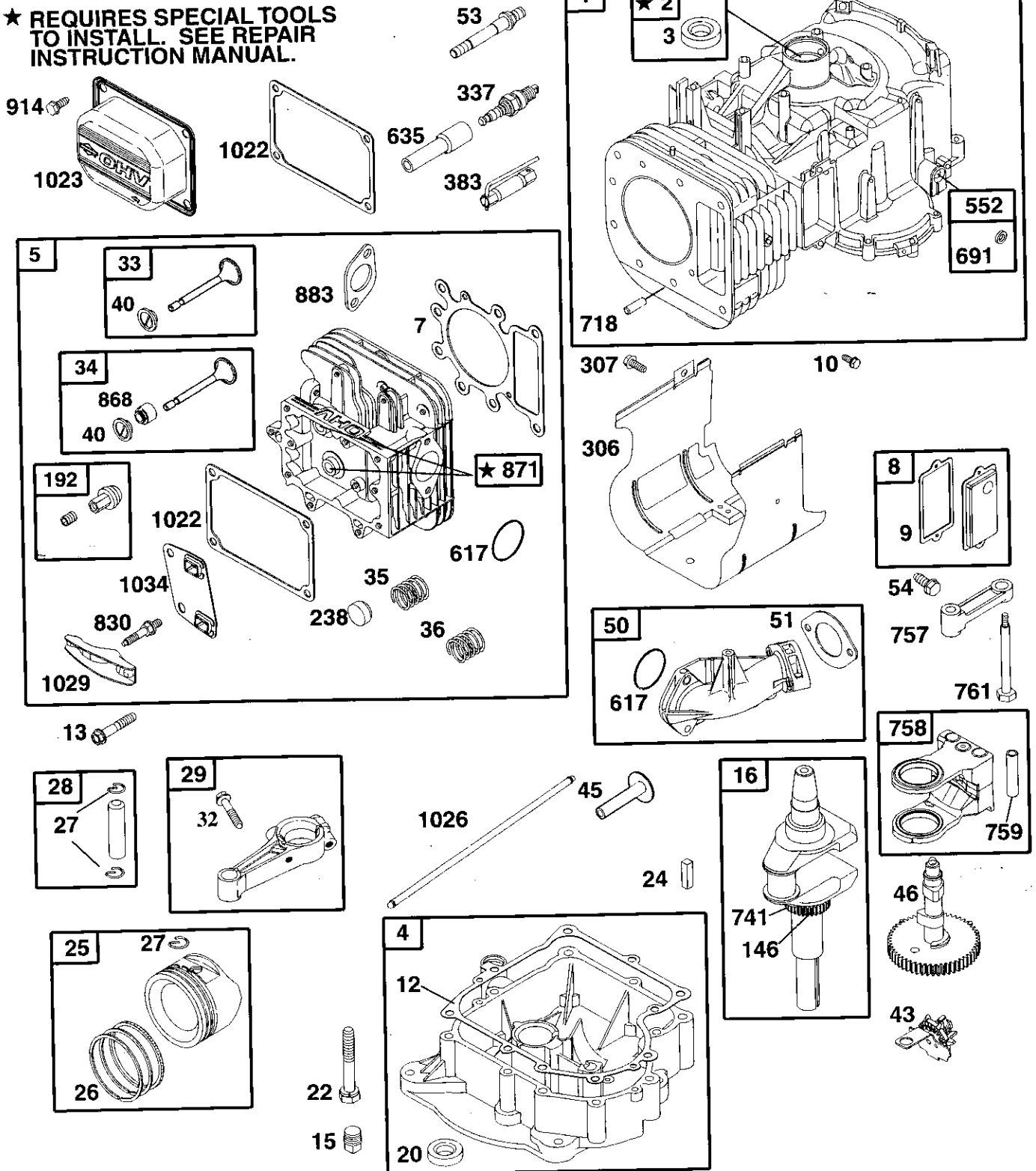
- * Use in various combinations to maintain proper clearances.
- ** Order Key No. 15.
- *** Silicone Sealant to be applied between Upper and Lower Housings (use Loctite Ultra Gray Silicone 5699 or equivalent).

REPAIR PARTS

TRACTOR - - MODEL NUMBER 917.250431

BRIGGS & STRATTON ENGINE - - MODEL NUMBER 287707, TYPE NUMBER 1259-E1

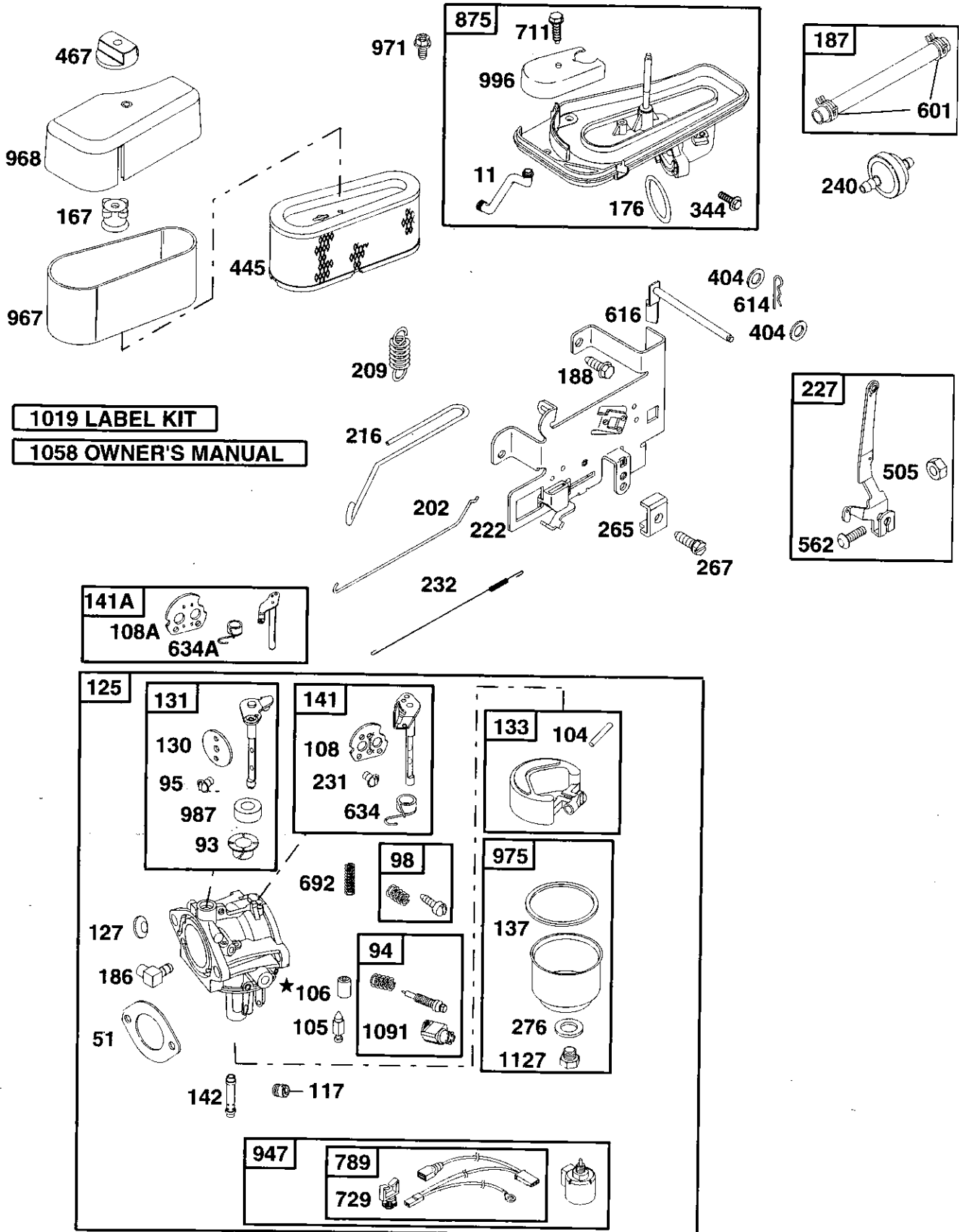
★ REQUIRES SPECIAL TOOLS TO INSTALL. SEE REPAIR INSTRUCTION MANUAL.



REPAIR PARTS

TRACTOR - - MODEL NUMBER 917.250431

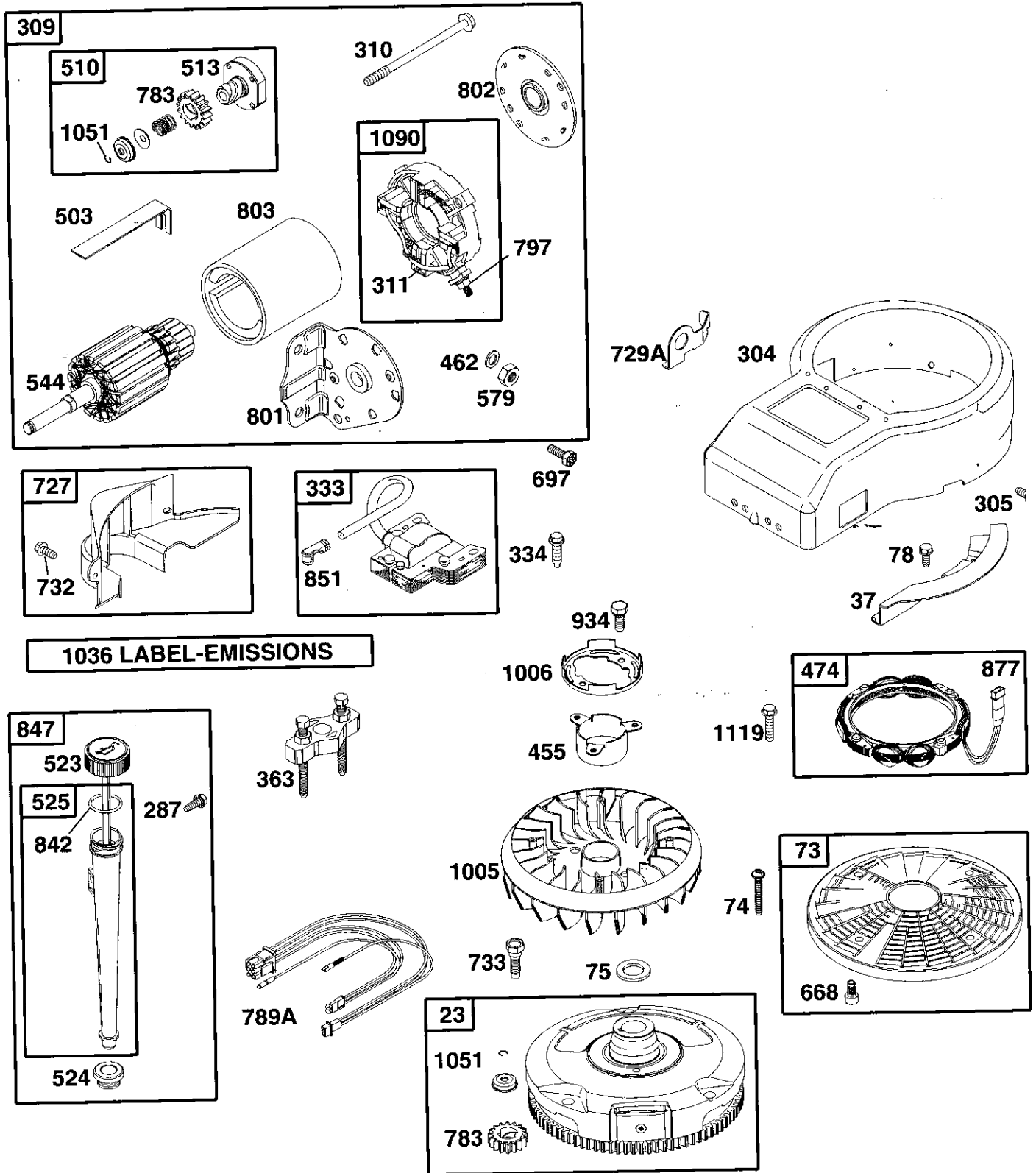
BRIGGS & STRATTON ENGINE - - MODEL NUMBER 287707, TYPE NUMBER 1259-E1



REPAIR PARTS

TRACTOR - - MODEL NUMBER 917.250431

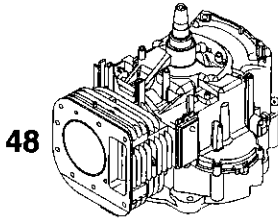
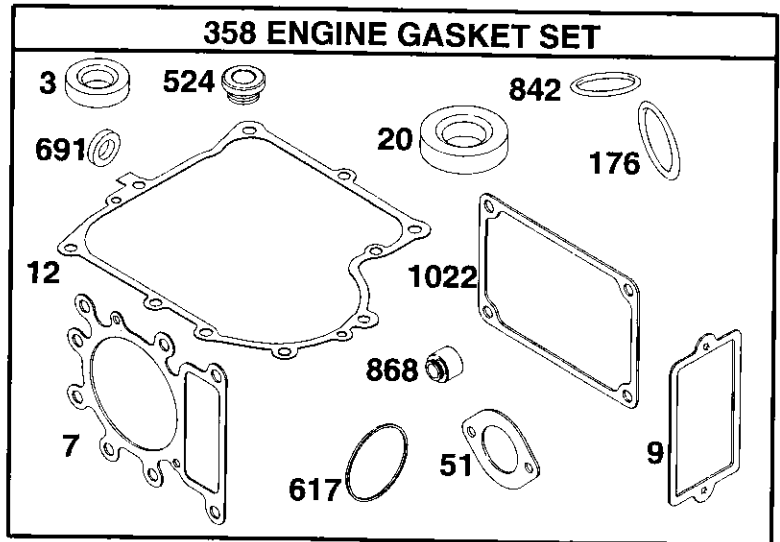
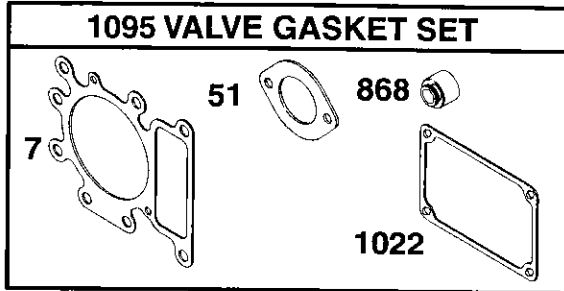
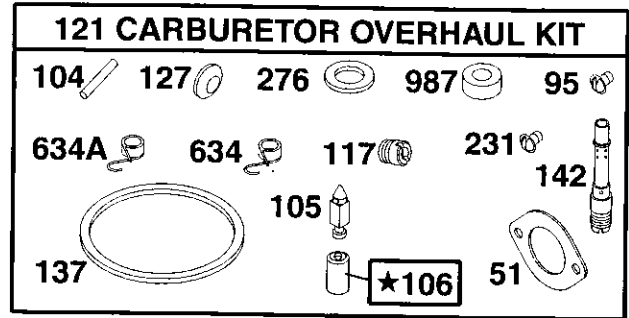
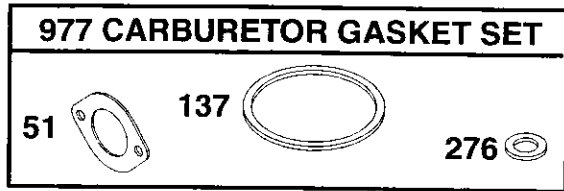
BRIGGS & STRATTON ENGINE - - MODEL NUMBER 287707, TYPE NUMBER 1259-E1



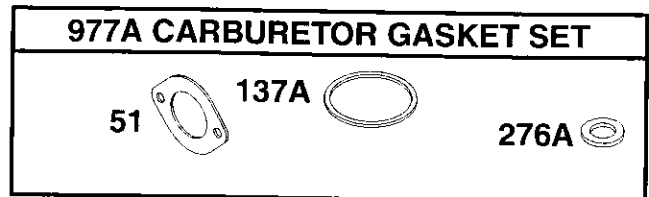
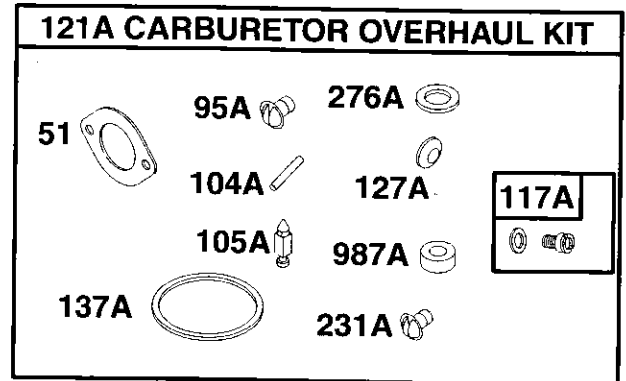
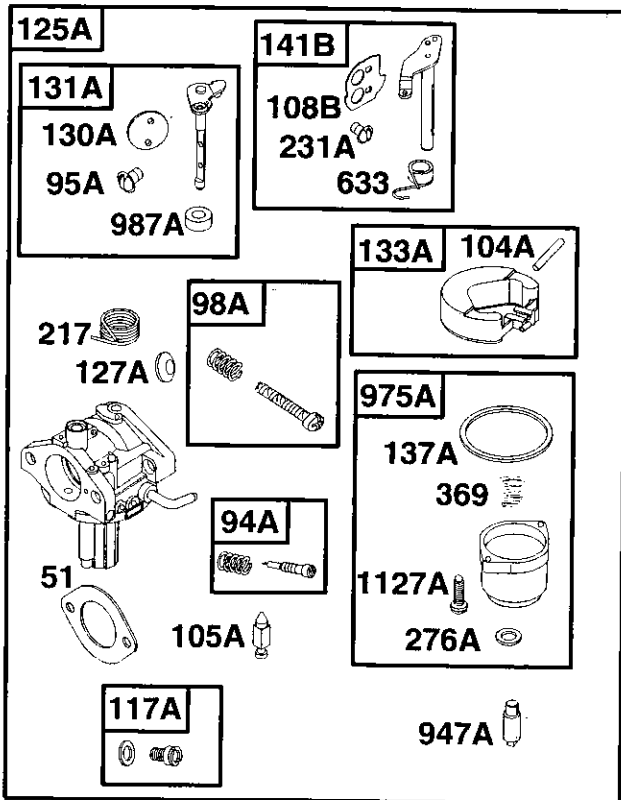
REPAIR PARTS

TRACTOR - - MODEL NUMBER 917.250431

BRIGGS & STRATTON ENGINE - - MODEL NUMBER 287707, TYPE NUMBER 1259-E1



NIKKI



REPAIR PARTS

TRACTOR - - MODEL NUMBER 917.250431

BRIGGS & STRATTON ENGINE - - MODEL NUMBER 287707, TYPE NUMBER 1259-E1

KEY NO.	PART NO.	DESCRIPTION	KEY NO.	PART NO.	DESCRIPTION
1	496412	Cylinder Assembly	98	495800	Kit-Idle Speed
2	399265	Kit-Bushing/Seal	98A	695408	Kit-Idle Speed
3	391086	• Seal-Oil (Magneto Side)	104	690525	∅ Pin-Float Hinge
4	494238	Sump-Engine	104A	694918	∅ Pin-Float Hinge
5	691165	Head-Cylinder	105	231855	∅ Valve-Float Needle
7	273280	+ Gasket-Cylinder Head	105A	694922	∅ Valve-Float Needle
8	495735	Breather Assembly	106	691780	∅ Seat-Inlet
9	27803	• Gasket-Breather	108	690464	Valve-Choke (Manual Choke)
10	691666	Screw (Breather Assembly)	108A	692344	Valve-Choke (Choke-A-Matic)
11	691328	Tube-Breather	108B	695419	Valve-Choke
12	692226	• Gasket-Crankcase (.015 Thick, Std)	117	692408	∅ Jet-Main (Standard)
	692406	• Gasket-Crankcase (.005 Thick)		692411	Jet-Main (High Altitude)
	692405	• Gasket-Crankcase (.009 Thick)	117A	695415	∅ Jet-Main (Standard)
13	690360	Screw (Cylinder Head)		695416	∅ Jet-Main (High Altitude)
15	690946	Plug-Oil Drain	121	690191	Kit-Carburetor Overhaul (Walbro)
16	690136	Crankshaft	121A	695427	Kit-Carburetor Overhaul (Nikki)
20	291675	• Seal-Oil	125	690194	Carburetor
22	692125	Screw (Crankcase Cover)	125A		Carburetor (Nikki) (Service with Walbro Carburetor)
23	693557	Flywheel	127	695005	∅ Plug-Welch
24	222698	Key-Flywheel	127A	690727	∅ Plug-Welch
25	499284	Piston Assembly (Standard)	130	691750	Valve-Throttle
	499288	Piston Assembly (.010 O.S.)	130A	695418	Valve-Throttle
	499292	Piston Assembly (.020 O.S.)	131	494379	Kit-Throttle Shaft
	495979	Piston Assembly (.030 O.S.)	131A	695421	Kit-Throttle Shaft
26	495854	Ring Set-Piston (Standard)	133	494381	Float-Carburetor
	495852	Ring Set-Piston (.010 O.S.)	133A	695914	Float-Carburetor
	495851	Ring Set-Piston (.020 O.S.)	137	281165	∅± Gasket-Float Bowl
	495855	Ring Set-Piston (.030 O.S.)	137A	695426	∅± Gasket-Float Bowl
27	691299	Lock-Piston Pin	141	495097	Kit-Choke Shaft (Manual Choke)
28	498319	Pin-Piston (Standard)	141A	495931	Kit-Choke Shaft (Choke-A-Matic)
	498320	Pin-Piston (.020 O.S.)	141B	695420	Kit-Choke Shaft
29	692419	Rod-Connecting (Standard)	142	692412	∅ Nozzle-Carburetor
	499940	Rod-Connecting (.020 U.S.)	146	691639	Key-Timing
32	692852	Screw (Connecting Rod)	167	692297	Air Cleaner Stud Seal
33	495856	Valve-Exhaust	176	691917	• O-Ring Seal (Air Cleaner)
34	495857	Valve-Intake	186	692317	Connector-Hose
35	691279	Spring-Valve (Intake)	187	691050	Line-Fuel (Cut to Required Length)
36	691279	Spring-Valve (Exhaust)	188	691693	Screw (Control Bracket)
37	690456	Guard-Flywheel	192	691986	Adjuster-Rocker Arm
40	691752	Retainer-Valve	202	691841	Link-Mechanical Governor
43	691968	Slinger-Governor/Oil	209	692208	Spring-Governor
45	690564	Tappet-Valve	216	691840	Link-Choke
46	692421	Camshaft	217	695409	Spring-Choke Return
48	496050	Short Block (311707-0028-E1 Replacement Engine)	222	694042	Bracket-Control
50	690193	Manifold-Intake	227	691374	Control Lever-Governor
51	692137	∅± Gasket-Intake	231	691636	∅ Screw (Choke Valve)
53	690227	Stud (Carburetor)	231A	690718	∅ Screw (Choke Valve)
54	691148	Screw (Intake Manifold)	232	691842	Spring-Governor Link
73	690492	Screen-Rotating	238	691843	Cap-Valve
74	691655	Screw (Rotating Screen)	240	394358	Filter-Fuel
75	690582	Washer (Flywheel)	265	691024	Clamp-Casing
78	690661	Screw (Flywheel Guard)	267	695134	Screw (Casing Clamp)
93	690602	Bushing-Throttle Shaft			
94	498030	Kit-Idle Mixture			
94A	695425	Kit-Idle Mixture			
95	691636	∅ Screw (Throttle Valve)			
95A	690718	∅ Screw (Throttle Valve)			

RPM Settings:

Low Speed: 1900-2100
High Speed: 3000-3200

- Included in Engine Gasket Set, Key. No. 358
- ∅ Included in Carburetor Overhaul Kit, Key. No. 121 and 121A
- ± Included in Carburetor Gasket Set, Key. No. 977 and 977A
- + Included in Valve Gasket Set, Key. No. 1095

NOTE: All component dimensions given in U.S. inches
1 inch = 25.4 mm.

REPAIR PARTS

TRACTOR - - MODEL NUMBER 917.250431

BRIGGS & STRATTON ENGINE - - MODEL NUMBER 287707, TYPE NUMBER 1259-E1

KEY NO.	PART NO.	DESCRIPTION	KEY NO.	PART NO.	DESCRIPTION
276	692255	Ø‡ Sealing Washer	797	693167	Nut (Brush Retainer)
276A	695410	Ø‡ Sealing Washer	801	691429	Cap-Drive
287	691002	Screw (Dipstick Tube)	802	691286	Cap-End
304	690844	Housing-Blower	803	693757	Housing-Starter
305	690960	Screw (Blower Housing)	830	691095	Stud (Rocker Arm)
306	690499	Shield-Cylinder	842	691870	• Dipstick/Tube Seal
307	691003	Screw (Cylinder Shield)	847	496415	Dipstick/Tube Assembly
309	693551	Motor-Starter	851	692424	Terminal-Spark Plug
310	690323	Screw (Starter Motor)	868	690968	*+ Seal-Valve
311	497608	Brush Set	871	690969	Bushing-Guide
333	495859	Armature-Magneto	875	694942	Base-Air Cleaner
334	691061	Screw (Armature Magneto)	877	393456	Wire-Connector/Alternator
337	491055	Spark Plug	883	692236	Gasket-Exhaust
344	693675	Screw (Cable Clamp)	914	690960	Screw (Rocker Cover)
358	691580	Engine Gasket Set	934	691058	Screw (Fan Retainer)
363	19203	Flywheel Puller	947	497672	Solenoid-Fuel
369	695422	Spring-Float Bowl	947A	695423	Solenoid-Fuel
383	89838	Wrench-Spark Plug	967	272043	Filter-Pre Cleaner
404	691691	Washer (Governor Crank)	968	691916	Cover-Air Cleaner
445	496894	Filter-Air Cleaner Cartridge	971	692129	Screw (Air Cleaner Base)
455	691173	Cup-Flywheel	975	495933	Bowl-Float
462	691261	Washer (Starter Cable)	975A	695417	Bowl-Float
467	691668	Knob-Air Cleaner	977	690192	Set-Carburetor Gasket (Walbro)
474	691063	Alternator	977A	695428	Set-Carburetor Gasket (Nikki)
503	691532	Strap-Starter	987	691326	• Seal-Throttle Shaft
505	691251	Nut (Governor Control Lever)	987A	690998	• Seal-Throttle Shaft
510	693699	Drive-Starter	996	690678	Carburetor Shield
513	692024	Clutch-Drive	1005	695056	Fan-Flywheel
523	692014	Dipstick	1006	690452	Retainer-Fan
524	281370	• Seal-Dipstick Tube	1019	496758	Kit-Label
525	691398	Tube-Dipstick	1022	272475	*+ Gasket-Rocker Cover
544	692034	Armature-Starter	1023	691192	Cover-Rocker
552	491986	Bushing-Governor Lever	1026	692003	Rod-Push (Intake)
562	691119	Bolt (Governor Control Lever)		692011	Rod-Push (Exhaust)
579	691029	Nut (Starter Cable)	1029	691751	Arm-Rocker
601	95162	Clamp-Hose	1034	690822	Guide-Push Rod
614	691620	Pin-Cotter	1036	695700	Label-Emissions
616	692012	Crank-Governor	1051	691265	Retainer-Brush
617	692138	• O-Ring Seal (Intake Manifold)	1058	274789	Owner's Manual
633	695414	Seal-Choke/Throttle Shaft	1090	691293	Retainer-Brush
634	690801	Ø Seal-Spring Assembly (Manual Choke)	1091	691333	Cap-Limiter
634A	690802	Ø Seal-Spring Assembly (Choke-A-Matic)	1095	691581	Valve Gasket Set
635	691909	Boot-Spark Plug	1119	691183	Screw (Alternator)
668	691323	Spacer	1127	691657	Screw (Float Bowl)
691	692407	• Seal-Governor Shaft	1127A	695407	Screw (Float Bowl)
692	690572	Spring-Detent			
697	690372	Screw (Drive Cap)			
711	690703	Screw (Carburetor Shield)			
718	690959	Pin-Locating			
727	490324	Cover-Starter Drive			
729	691335	Clip-Wire			
729A	691224	Clip-Wire			
732	691002	Screw (Starter Drive Cover)			
733	691658	Screw (Flywheel)			
741	691284	Gear-Timing			
757	691714	Link-Counterweight			
758	692423	Counterweight			
759	691239	Pin-Counterweight			
761	691096	Screw (Counterweight)			
783	693713	Gear-Pinion			
789	692037	Harness-Wiring			
789A	695050	Harness-Wiring			

RPM Settings:

Low Speed: 1900-2100

High Speed: 3000-3200

- Included in Engine Gasket Set, Key. No. 358
- Ø Included in Carburetor Overhaul Kit, Key. No. 121 and 121A
- ‡ Included in Carburetor Gasket Set, Key. No. 977 and 977A
- + Included in Valve Gasket Set, Key. No. 1095

NOTE: All component dimensions given in U.S. inches 1 inch = 25.4 mm

LIMITED TWO YEAR WARRANTY ON CRAFTSMAN RIDING EQUIPMENT

For two (2) years from the date of purchase, if this Craftsman Riding Equipment is maintained, lubricated and tuned up according to the instructions in the owner's manual, Sears will repair or replace, free of charge, any parts found to be defective in material or workmanship.

This Warranty does not cover:

- Expendable items which become worn during normal use, such as blades, spark plugs, air cleaners, belts, etc.
- Tire replacement or repair caused by punctures from outside objects, such as nails, thorns, stumps, or glass.
- Repairs necessary because of operator abuse, negligence, improper storage or accident or the failure to maintain the equipment according to the instructions contained in the owner's manual.
- Riding equipment used for commercial or rental purposes.

LIMITED 90 DAY WARRANTY ON BATTERY

For ninety (90) days from date of purchase, if any battery included with this riding equipment proves defective in material or workmanship and our testing determines the battery will not hold a charge, Sears will replace the battery at no charge.

IN-HOME WARRANTY SERVICE ON YOUR CRAFTSMAN RIDING EQUIPMENT IS AVAILABLE AT NO-CHARGE FOR 30 DAYS FROM THE DATE OF PURCHASE. PLEASE CONTACT YOUR NEAREST SERVICE CENTER. AFTER 30 DAYS FROM THE DATE OF PURCHASE, WARRANTY SERVICE IS AVAILABLE BY TAKING YOUR CRAFTSMAN RIDING EQUIPMENT TO YOUR NEAREST SEARS SERVICE CENTER. (IN-HOME WARRANTY SERVICE WILL STILL BE AVAILABLE AFTER 30 DAYS FROM THE DATE OF PURCHASE BUT A STANDARD TRIP CHARGE WILL APPLY.) THIS WARRANTY APPLIES ONLY WHILE THIS PRODUCT IS IN THE UNITED STATES.

This Warranty gives you specific legal rights, and you may also have other rights which may vary from state to state.

SEARS, ROEBUCK AND CO., D/817 WA, HOFFMAN ESTATES, IL 60179

CRAFTSMAN®