

REPAIR PARTS MANUAL
MODEL NO. 250980
Lawn Tractor

20HK 48" 20HK KOHLER HYD

CRAFTSMAN®

HOW TO USE THIS MANUAL

This manual is designed to provide the customer with a means to identify the parts on his/her tractor when ordering repair parts. The illustrations may or may not represent the actual assemblies; therefore, it is not recommended to use this manual as a guide to assemble or disassemble the tractor. Some hardware and parts are drawn larger in order to more readily identify them.

Each tractor has its own model number.

The model number for your tractor can be found on the fender under the seat.

When ordering parts, always give the following information:

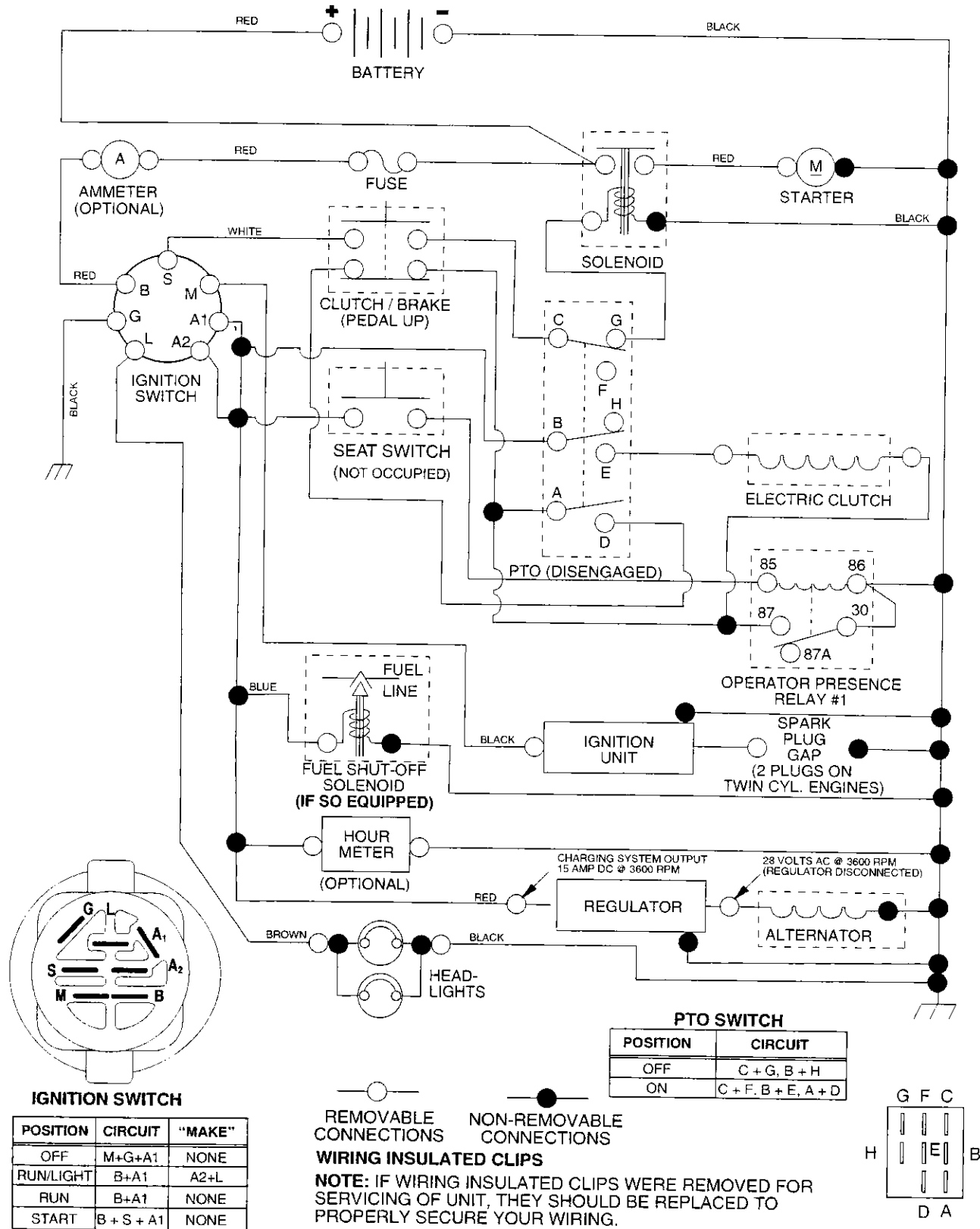
- Product - "Tractor"
- Model Number - "250980"
- Part Number
- Part Description

TABLE OF CONTENTS

SCHEMATIC	3
ELECTRICAL	4-5
CHASSIS	6-7
DRIVE	8-9
STEERING	10-11
ENGINE	12-13
SEAT	14
DECALS	15
MOWER LIFT	16-17
MOWER DECK	18-19
TRANSAXLE	20-21
ENGINE BREAKDOWN	22-29
WARRANTY	32

TRACTOR- -MODEL NO. 917. 250980

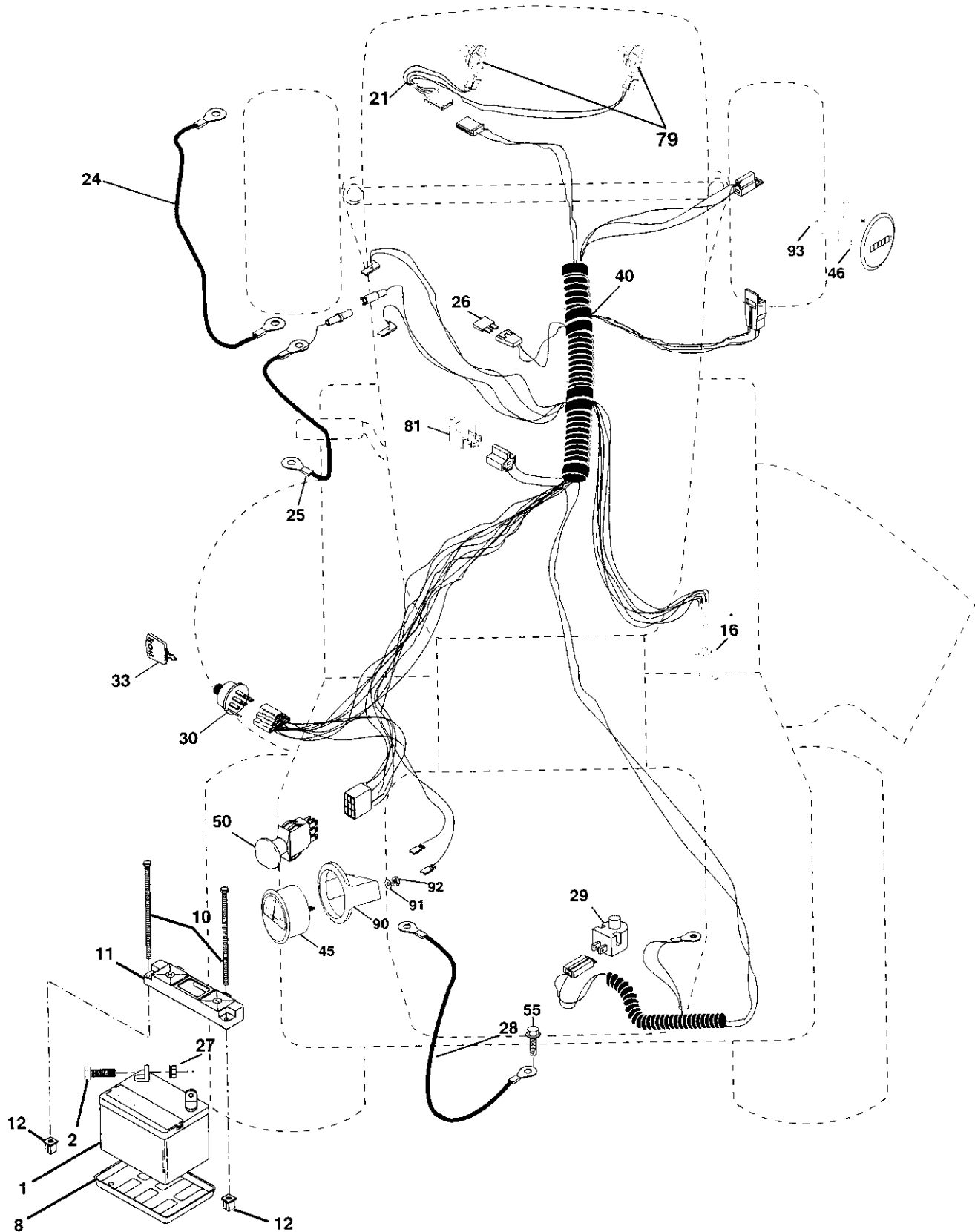
SCHEMATIC



REPAIR PARTS

TRACTOR- -MODEL NO. 917. 250980

ELECTRICAL



REPAIR PARTS

TRACTOR- -MODEL NO. 917. 250980

ELECTRICAL

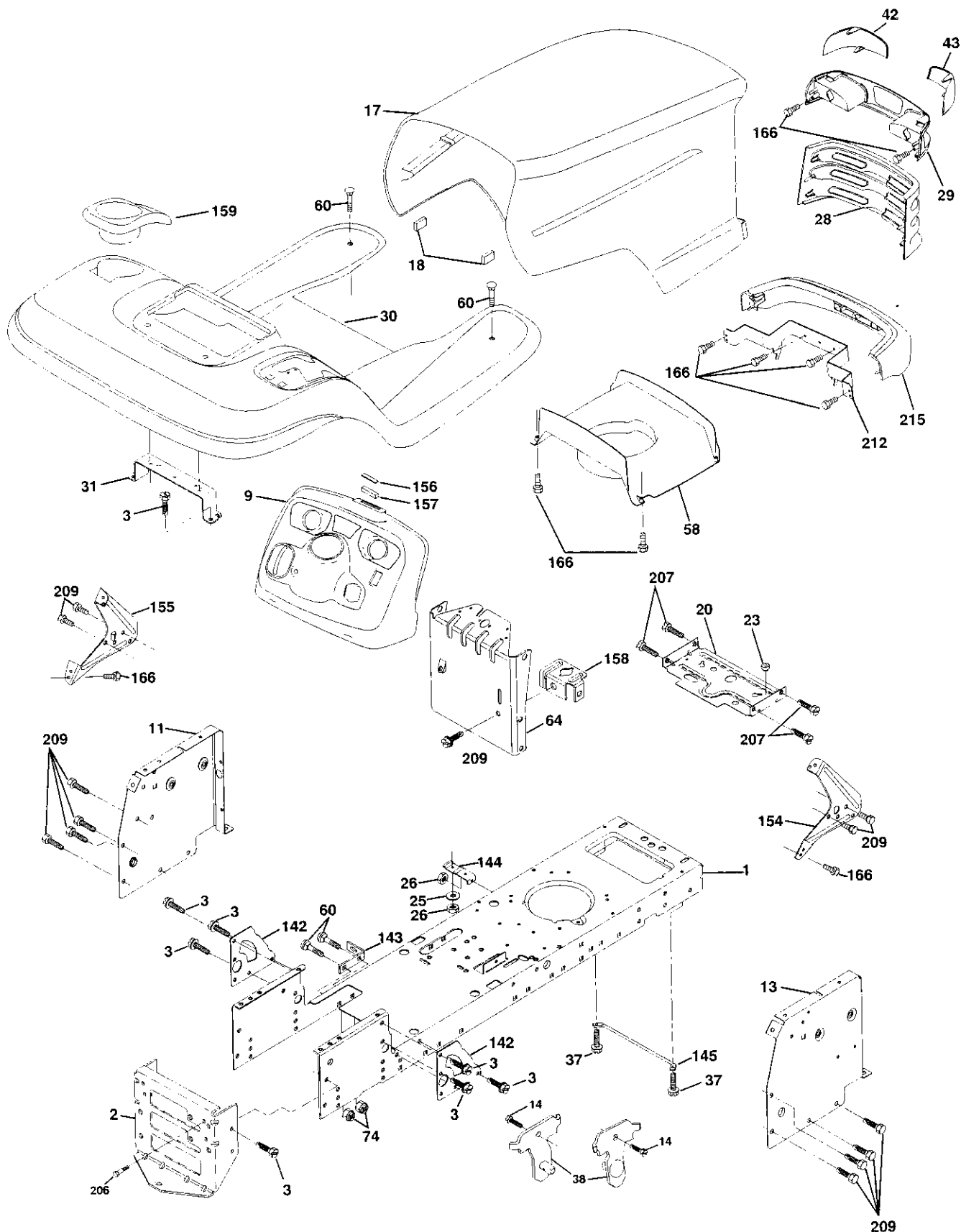
KEY NO.	PART NO.	DESCRIPTION
1	163465	Battery
2	74760412	Bolt, Hex 1/4-20 x 3/4
8	7603J	Tray, Battery
10	145211	Bolt, Btr Front 1/4-20 x 7-1/2
11	150109	Holddown Battery Front Mount
12	145769	Nut, Push Nylon Battery Front 1/4
16	153664	Switch Interlock Push-In
21	175449	Harness, Light
24	8860R	Cable, Battery
25	146148	Cable, Battery
26	175158	Fuse
27	73510400	Nut Keps Hex 1/4-20 UNC
28	145491	Cable, Ground
29	160784	Switch, Seat
30	175442	Switch, Ignition
33	175447	Key
40	178451	Harness, Ignition
45	175548	Ammeter
46	175549	Hourmeter
50	178461	Switch Pto
55	17490508	Screw Thdrol 5/16-18 x 1/2
79	175448	Bulb and Holder Asm
81	109748X	Relay Asm
89	169639	Bracket Snap-In Hourmeter
90	176717	Clamp Back Amp Gauge
91	176730	Washer Lock Amp Gauge
92	176733	Nut Amp Gauge
93	176732	Clamp Hourmeter

NOTE: All component dimensions given in U. S.
inches 1 inch = 25.4 mm

REPAIR PARTS

TRACTOR- -MODEL NO. 917. 250980

CHASSIS AND ENCLOSURES



REPAIR PARTS

TRACTOR- -MODEL NO. 917. 250980

CHASSIS AND ENCLOSURES

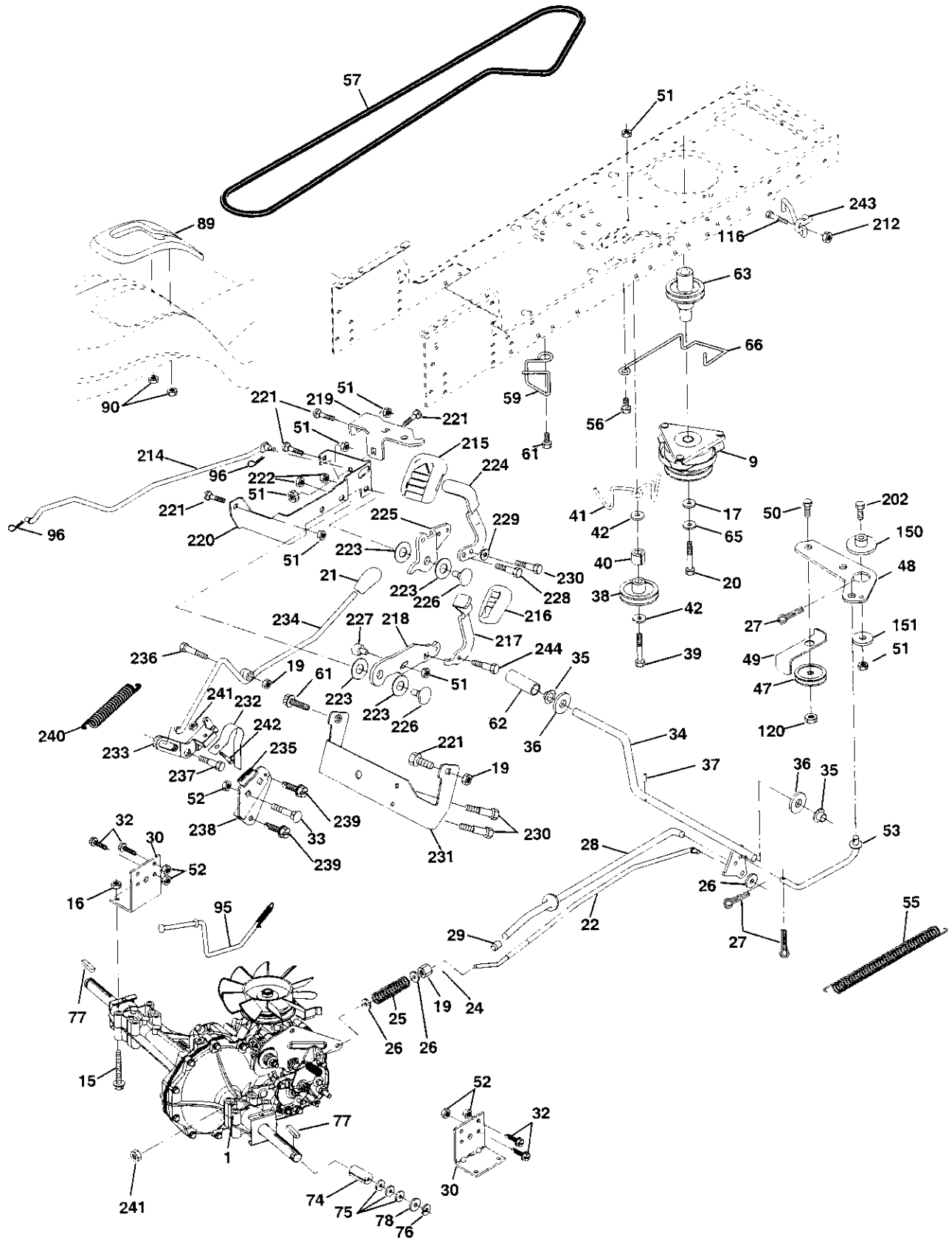
KEY NO.	PART NO.	DESCRIPTION
1	174619	Chassis
2	176554	Drawbar
3	17060612	Screw, 3/8-16 x 3/4
9	172542X418	Dash
10	STD533710	Bolt, Carriage 3/8-16 x 1
11	174996	Panel, Dash, LH
13	175256X010	Panel, Dash, RH
14	17490608	Screw Thdrol 3/8-16 x 1/2
17	172540X615	Hood Assembly
18	126938X	Bumper Hood
20	156437	Plate Battery
23	124028X	Bushing Snap
25	19131312	Washer 13/32 x 13/16 x 12 Gauge
26	STD541437	Locknut, Hex, with Insert 3/8-16 UNC
28	174945X418	Grille
29	174944X418	Lightbox Dual
30	175692X615	Fender/Footrest
31	139976	Bracket, Fender/Support
37	17490508	Screw, Thdrol. 5/16-18 x 1/2 TYT
38	175710	Bracket Asm Pivot Mower Rear
42	172545X599	Lens Lh
43	172544X599	Lens Rh
58	174993	Duct Hood
59	110436X	Bushing, Snap, Split
60	STD533707	Bolt Rdhd Sqnk 3/8-16 UNC x 3/4
64	174997	Dash Lower
74	STD541437	Nut Crownlock 3/8-16 UNC
142	175702	Plate Reinforcement
143	154966	Bracket Swaybar Chassis
144	175582	Bracket Footrest
145	156524	Rod Pivot Chassis/Hood
154	174679	Bracket Dash Rh
155	174680	Bracket Dash Lh
156	163805	Striker Plate
157	163806	Magnet YTGT
158	162037	Parking Brake Bkrt
159	155123X418	Cupholder Stil Bik
166	164863	HWHDH:-Lo. #13-16 x 3/4
206	170165	Bolt Shoulder 5/16-18
207	17670508	Screw Thdrol 5/16-18 x 1/2
209	17000612	Screw Hexwsh Thdr 3/8-16 x 3/4
212	174988	Bracket Pivot Hood
215	172543X615	Bumper

NOTE: All component dimensions given in U. S.
inches 1 inch = 25.4 mm

REPAIR PARTS

TRACTOR- -MODEL NO. 917. 250980

DRIVE



REPAIR PARTS

TRACTOR- -MODEL NO. 917. 250980

DRIVE

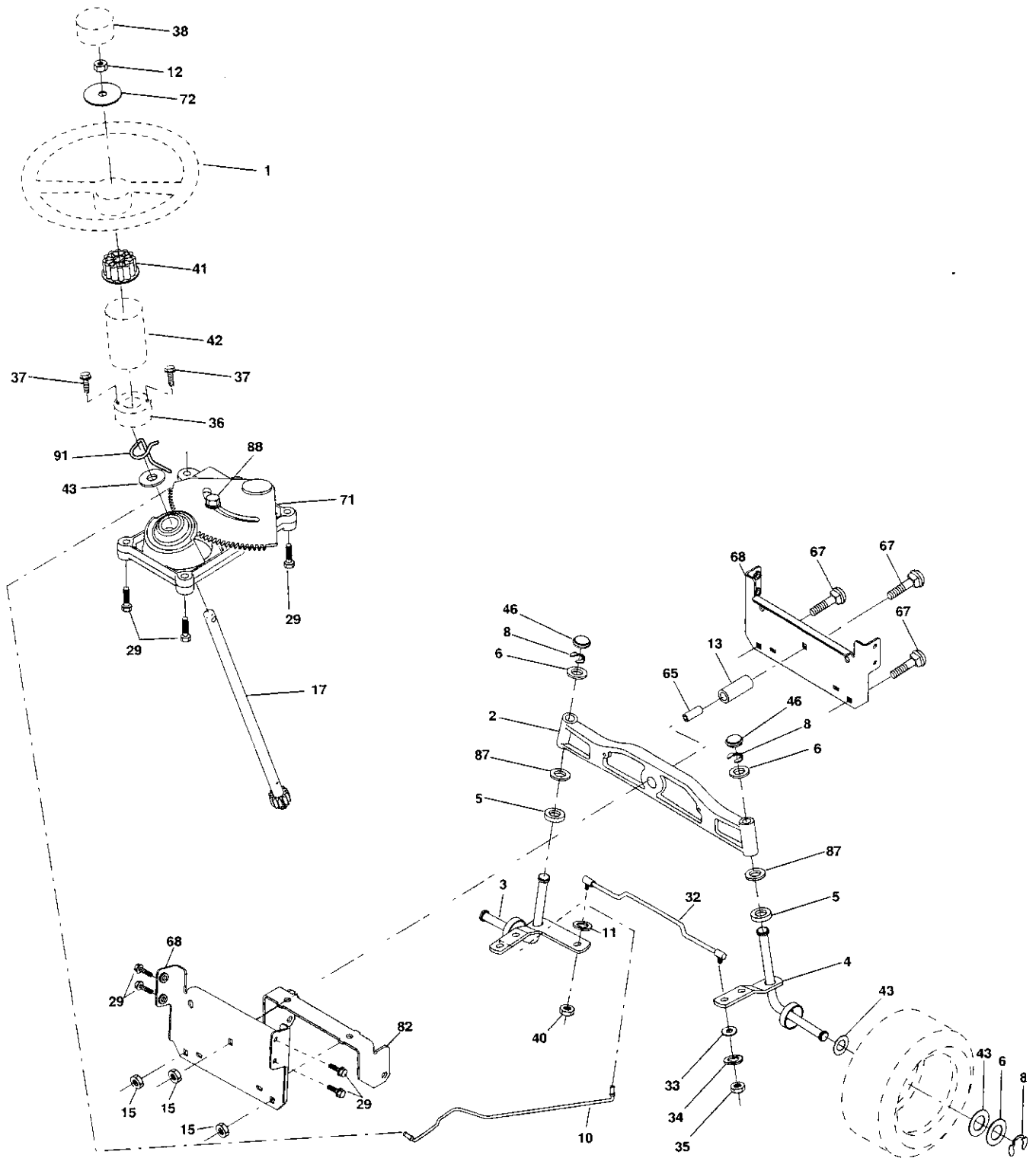
KEY NO.	PART NO.	DESCRIPTION	KEY NO.	PART NO.	DESCRIPTION
1	-----	Transaxle (See Breakdown)	76	12000001	E-Ring
		Hydro gear Model 323-0510	77	123583X	Key, Square
9	174367	Clutch Elec	78	121748X	Washer 25/32 x 1-5/8 x 16 Ga.
15	74490544	Bolt Hex Flghd 5/16-18 Gr. 5	89	174901X418	Console, Shift
16	73800500	Nut Lock Hex W/Ins. 5/16-18 Unc	90	124346X	Nut Self-Thd Wsh-hd 1/4 Zinc
17	126197X	Washer 1-1/2 OD x 15/32 ID x .250	95	175899	Rod Bypass
19	73800600	Nut Lock Hex W/Wsh 3/8-16 Unc	96	4497H	Retainer Spring 1" Zinc/Cad
20	173937	Bolt Hex 7/16-20 x 4 x Gr. 5-1.5	116	72140608	Bolt RDHD SQNK 3/8-16 Unc x 1
21	175036X505	Knob Custom Control Cruise	120	73900600	Nut Lock Flg 3/8-16 Unc
22	175896	Rod, Brake	150	175456	Spacer Retainer
24	73350600	Nut, Hex Jam 3/8-16 Unc	151	19133210	Washer 13/32 x 2 x 10 Ga.
25	106888X	Spring, Brake Rod	202	72110612	Bolt Carr Sh 3/8-16 x 1-1/2 Gr. 5
26	19131316	Washer	212	145212	Nut HexFlange Lock
27	76020412	Pin Cotter 1/8 x 3/4 CAD.	214	174735	Link Transaxle
28	175798	Rod, Parking Brake	215	175646	Cover Pedal Forward
29	175799X505	Knob Brake Parking	216	175647	Cover Pedal Reverse
30	169592	Bracket, Transaxle	217	174737	Pedal Reverse
32	74760512	Bolt Hex Hd 5/16-18 Unc x 3/4	218	174713	Arm Control Pedal Reverse
33	72140506	Bolt Rdhd Sqnk 5/16-18 Unc x 3/4	219	174839	Bracket Frest Pdl Ctrl. Hyd
34	175578	Shaft, Foot Pedal	220	174711	Bracket Mtg. Pedal Control
35	120183X	Bearing, Nylon	221	72140606	Bolt Rdhd Sqnk 3/8-16 Unc x 3/4
36	19211616	Washer	222	73680700	Nut Crownlock 7/16-14 Unc
37	1572H	Pin, Roll	223	174840	Washer Nylon 11/16 ID x .060
38	165936	Pulley, Composite, Flat	224	174736	Pedal Forward
39	74760648	Bolt Fin Hex 3/8-16 Unc x 3	225	174712	Arm Control Pedal Forward
40	175461	Spacer, Split	226	174902	Bolt Pivot Spacer
41	175556	Keeper, Belt Idler Flat	227	174710	Cam Reverse Pedal LT
42	19131312	Washer 13/32 x 13/16 x 12 Ga.	228	171873	Bolt Shoulder 5/16-18
47	127783	Pulley, Idler, V-Groove	229	176451	Washer Serrated 5/16 x .75
48	154407	Bellcrank Clutch Grnd Drw Stl	230	17060512	Screw 5/16-18
49	123205X	Retainer, Belt	231	174573	Strap Torque
50	74760624	Bolt	232	175570	Actuator Cruise Disengage
51	73680600	Nut Crownlock 3/8-16 UNC	233	174856	Pawl Control Cruise
52	73680500	Nut, Crownlock 5/16-18 Unc	234	174858	Lever Control Cruise
53	105710X	Link, Clutch	235	174857	Sector Control Cruise
55	105709X	Spring, Return, Clutch	236	128903	Bolt Shoulder 3/8-16 Unc 1/44
56	17060616	Screw 3/8-16 x 1.0	237	170165	Bolt Shoulder 5/16-18
57	140294	V-Belt, Ground Drive	238	175807	Arm Mtg. Cruise Sector
59	169691	Keeper, Center Span	239	17490508	Screw Thdrol 5/16 x 1/2
61	17060612	Screw 3/8-16 x 3/4	240	175610	Spring Return Cruise Control
62	123533X	Cover, Pedal	241	73930400	Nut Centerlock 1/4-20 Unc
63	175417	Pulley, Engine	242	74760408	Bolt Fin Hex 1/4-20 Unc x 1/2
65	10040700	Washer	243	178289	Bracket Anti-Rotation CVX
66	154778	Keeper Belt Engine	244	17060508	Screw 5/16-18 x 1/2
74	137057	Spacer, Axle			
75	121749X	Washer 25/32 x 1-1/4 x 16 Ga.			

NOTE: All component dimensions given in U. S. inches 1 inch = 25.4 mm

REPAIR PARTS

TRACTOR- -MODEL NO. 917. 250980

STEERING



REPAIR PARTS

TRACTOR- -MODEL NO. 917. 250980

STEERING

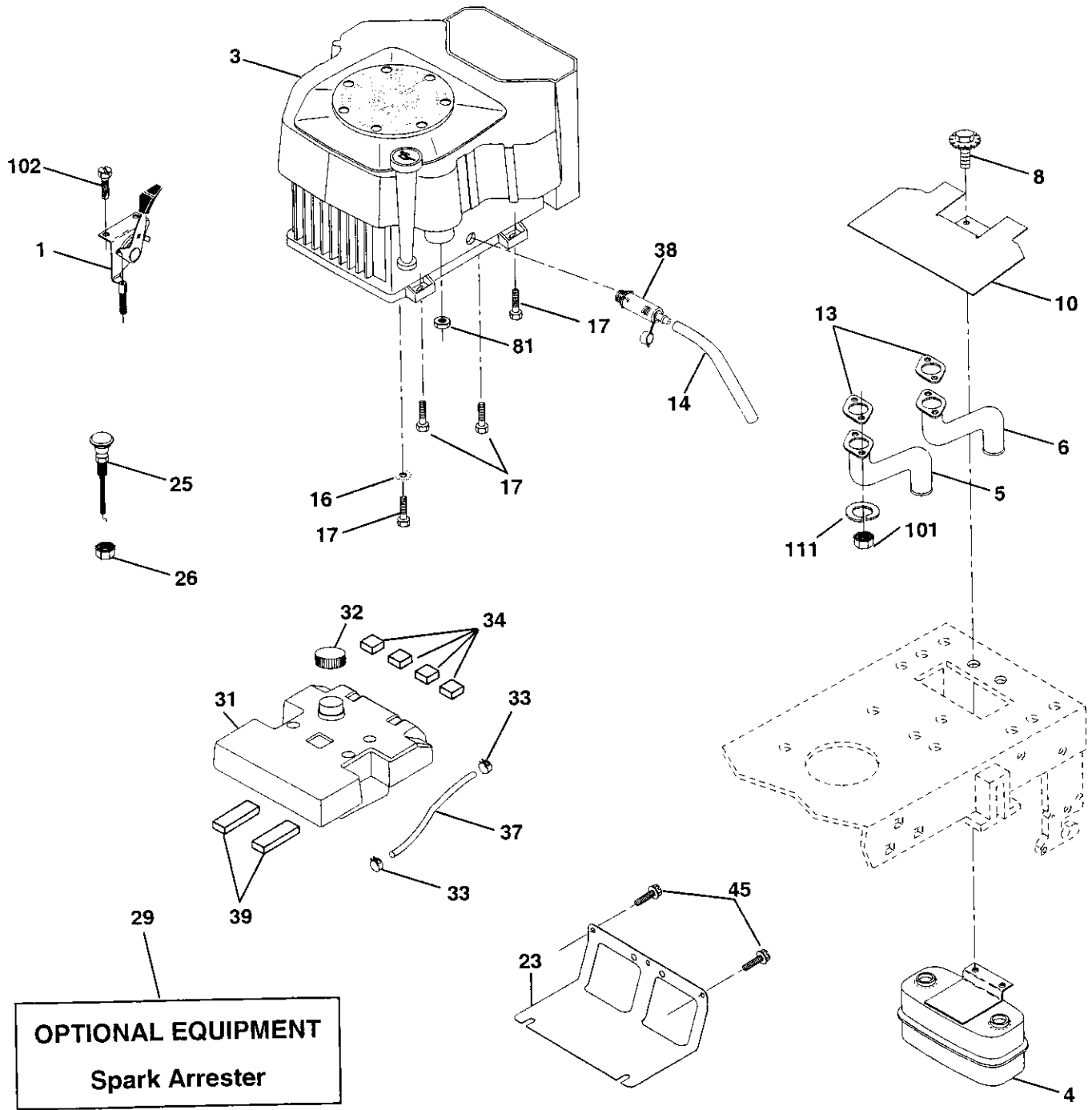
KEY NO.	PART NO.	DESCRIPTION
1	175139X418	Steering Wheel
2	172393	Axle Assembly
3	169840	Spindle Assembly, L.H.
4	169839	Spindle Assembly, R.H.
5	6266H	Bearing, Race, Thrust, Hardened
6	121748X	Washer 25/32 x 1-5/8 x 16 Gauge
8	12000029	Ring, Klip
10	175121	Draglink
11	STD551137	Washer, Lock
12	73940800	Nut Hex Jam Toplock 1/2-20 Unf
13	136518	Spacer Brg Axle Front
15	145212	Nut Hexflange Lock
17	177883	Shaft Assembly, Steering
29	17060612	Screw, 3/8-16 x 3/4
32	170162	Rod, Tie
33	19111216	Washer 11/32 x 3/4 x 16 Ga.
34	STD551131	Washer Lock Hvy Spr. 5/16
35	73540500	Crownlock Nut 5/16-24 Unf
36	155105	Bushing, Steering
37	152927	Screw
38	175140X418	Insert, Steering Wheel
40	STD541537	Nut Lock Center 3/8-24 Unf
41	159945	Adaptor, Steering Wheel
42	174530X418	Boot, Steering Shaft
43	121749X	Washer 25/32 x 1-1/4 x 16 Gauge
46	121232X	Cap, Spindle
65	160367	Spacer Brace Axle
67	72140618	Bolt Rdhd Sq 3/8-16 UNC x 2-1/4
68	169827	Axle, Brace
71	175146	Steering Asm
72	19182411	Washer 9/16 Id x 1-1/2Od 11 G Zin
82	169835	Bracket Susp Chassis Front
87	173966	Washer Flat .781 x 1-1/2 x .14
88	175118	Bolt Shoulder 7/16-20 Unc
91	175553	Clip Steering

NOTE: All component dimensions given in U. S.
inches 1 inch = 25.4 mm

REPAIR PARTS

TRACTOR- -MODEL NO. 917. 250980

ENGINE



OPTIONAL EQUIPMENT
Spark Arrester

REPAIR PARTS

TRACTOR- -MODEL NO. 917. 250980

ENGINE

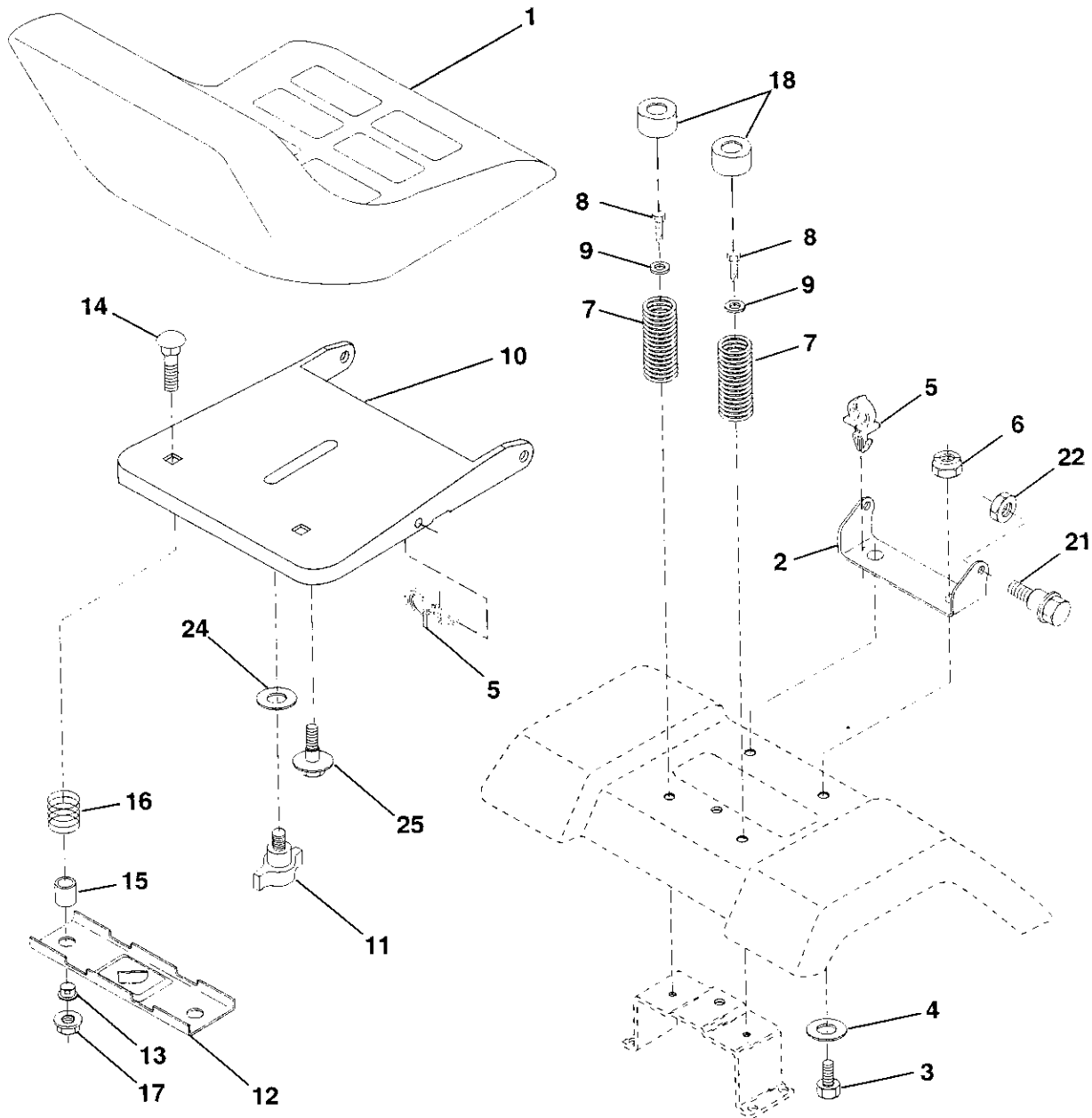
KEY NO.	PART NO.	DESCRIPTION
1	175439x505	Control, Throttle
3	-----	Engine, (See Breakdown) Kohler Model Number CV624-65578
4	149723	Muffler
5	146699	Pipe Exhaust Lh
6	146700	Pipe Exhaust Rh
8	171877	Bolt 5/16-18 Unc x 3/4
10	146629	Shield Heat
13	24-041-02	Gasket Kohler CV18-CV26 (See Engine Breakdown)
14	148456	Tube Drain Oil Easy
16	11050600	Washer, Lock, External Tooth 3/8
17	17490624	Screw Thdrol 3/8-16 x 1-1/2
23	169837	Shield, Browning/ Debris Guard
25	175441X505	Choke Control
26	73920600	Nut, Keps 3/8-24 UNF
29	137180	Kit, Spark Arrestor
31	157103	Tank Fuel
32	161696	Cap Asm Fuel
33	123487X	Clamp, Hose
34	106082X	Pad, Spacer
37	8543R	Line, Fuel
38	148315	Plug Drain Oil Easy
39	109227X	Pad, Idler
45	17000612	Screw Hexwsh Thdr 3/8-16 x 3/4
81	73510400	Nut Keps Hex 1/4-20 UNC
101	M73030800	Nut Flange M8-1.25
102	164863	Screw Hwhd H.-Lo #13016 x 3/4
111	10010500	Washer Split

NOTE: All component dimensions given in U. S.
inches 1 inch = 25.4 mm

REPAIR PARTS

TRACTOR- -MODEL NO. 917. 250980

SEAT ASSEMBLY



KEY NO.	PART NO.	DESCRIPTION
1	175134	Seat
2	140551	Bracket, Pivot, Seat
3	71110616	Bolt
4	19131610	Washer 13/32 x 1 x 10 Gauge
5	145006	Clip, Push-In Hinged
6	STD541437	Nut
7	124181X	Spring, Seat
8	17000616	Screw 3/8-16 x 1-1/2
9	19131614	Washer 13/32 x 1 x 14 Gauge
10	174894	Pan, Seat
11	177957	Knob Seat
12	121246X	Bracket, Switch Mounting
13	121248X	Bushing, Snap

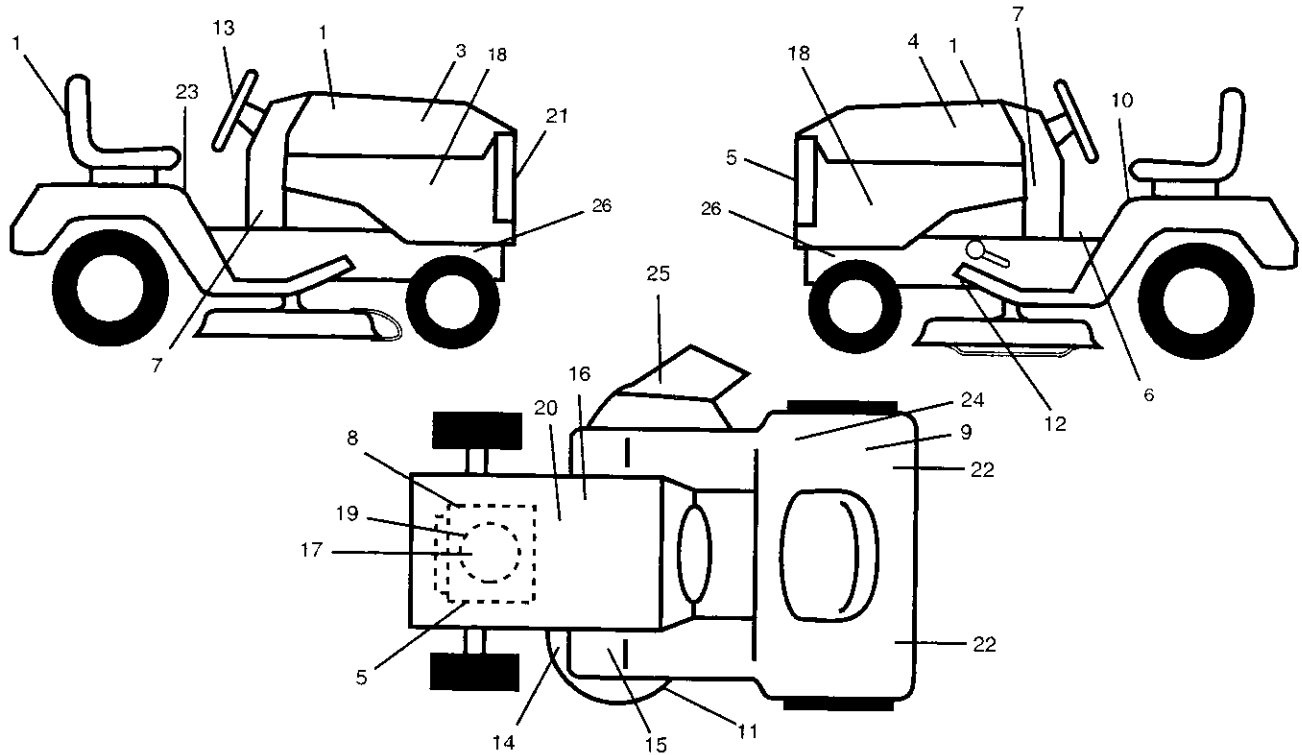
KEY NO.	PART NO.	DESCRIPTION
14	72050412	Bolt, Carriage 1/4-20 x 1-1/2
15	121249X	Spacer, Split
16	123740X	Spring
17	123976X	Locknut, Flange 1/4 Grade 5
18	124238X	Cap Spring Seat
21	171852	Bolt, Shoulder 5/16-18 UNC
22	STD541431	Nut
24	19171912	Washer 17/32 x 1-3/16 x 12 Gauge
25	127018X	Bolt, Shoulder 5/16-18 x .62

NOTE: All component dimensions given in U. S. inches 1 inch = 25.4 mm

REPAIR PARTS

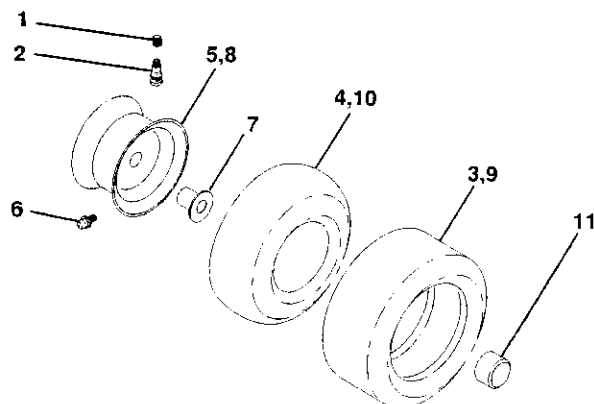
TRACTOR- -MODEL NO. 917. 250980

DECALS



KEY NO.	PART NO.	DESCRIPTION	KEY NO.	PART NO.	DESCRIPTION
1	177888	Decal, Hood/Seat	19	177918	Decal, Engine
2	174969	Reflector L.H.	20	145005	Decal, Battery Dngr/Psn
3	177909	Decal, Hood, R.H.	21	177889	Decal, Grille
4	177910	Decal, Hood, L.H.	22	174970	Reflector RH
5	177917	Decal, Engine HP LH	23	178302	Decal, Fender Oper Cruise
6	140837	Decal, Brake Parking	24	145437	Decal, CE
7	177967	Decal, Lower Dash	25	145494	Decal, Warning Cutting
8	177916	Decal, Engine HP RH	26	159736	Decal Chassis Hot Muffler
9	126187X	Decal, Certification	--	138311	Decal, Lift Handle
10	145498	Decal, Read Owners Manual	--	162598	Decal, Drawbar Load Limit
11	178482	Decal, Deck Heavy Duty	--	174998X418	Pad Footrest LH
12	146046	Decal, V-Belt Drive Schematic	--	175542X418	Pad Footrest RH
13	177890	Decal, Strg Wheel	--	169210	Decal, By Pass Lt Hydro
14	175291	Decal, V-Belt Schematic	--	178292	Oper Manual Euro
16	138047	Decal, Battery Diehard	--	178293	Oper Manual Scan
17	164757	Decal, Hp Engine	--	178294	Parts Manual
18	177913	Decal, Panel Side			

WHEELS & TIRES



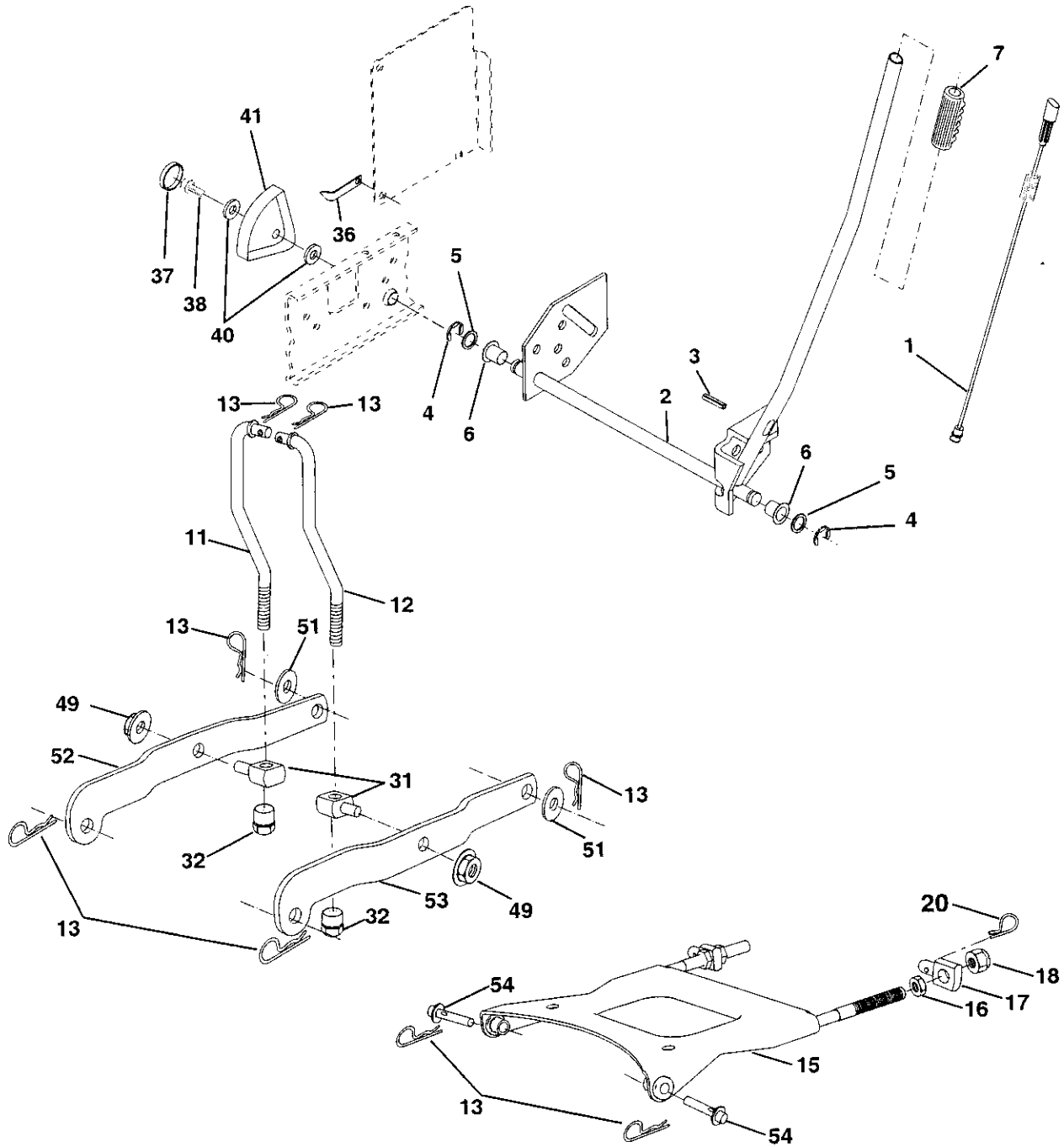
KEY NO.	PART NO.	DESCRIPTION
1	59192	Valve Cap, Tire
2	65139	Stem, Valve
3	177750	Tire, Front
4	59904	Tube, Front Tire (Not Provided, Service Item Only)
5	106732X417	Rim, Front
6	278H	Fitting, Grease (Front Wheel Only)
7	9040H	Bearing, Flange (Front Wheel Only)
8	106108X417	Rim, Rear
9	177751	Tire, Rear
10	7152J	Tube, Rear Tire (Not Provided, Service Item Only)
11	104757X417	Cap, Axle
--	144334	Sealant, Tire 10 oz.

NOTE: All component dimensions given in U. S. inches 1 inch = 25.4 mm

REPAIR PARTS

TRACTOR- -MODEL NO. 917. 250980

LIFT ASSEMBLY



REPAIR PARTS

TRACTOR- -MODEL NO. 917. 250980

LIFT ASSEMBLY

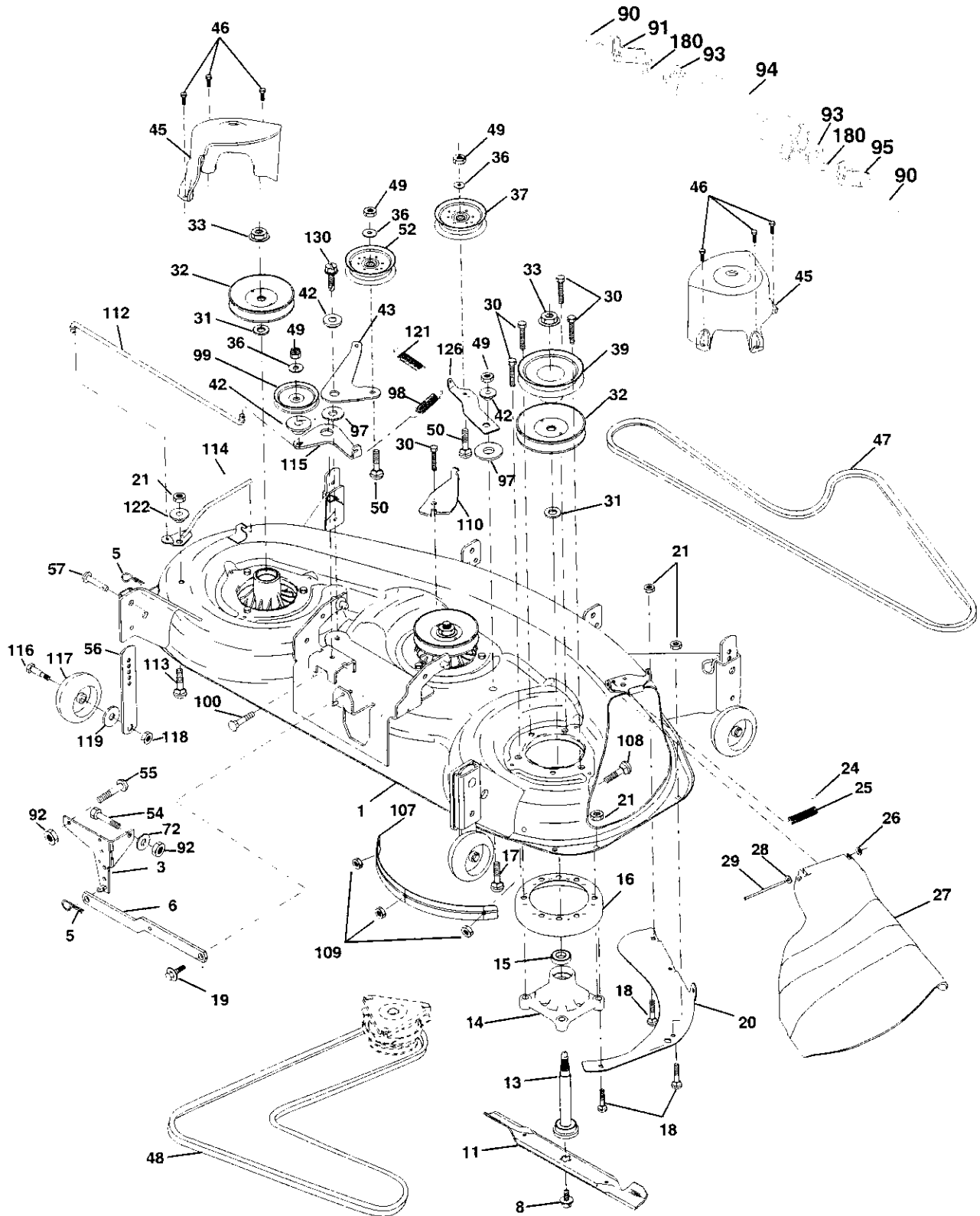
KEY NO.	PART NO.	DESCRIPTION
1	176263	Plunger Assembly
2	159476	Shaft Assembly, Lift
3	138284	Pin, Groove
4	12000002	E-Ring
5	19211621	Washer 21/32 x 1 x 21 Gauge
6	120183X	Bearing, Nylon
7	175830	Grip, Handle, Fluted
11	175370	Link, Lift, L.H.
12	175371	Link, Lift, R.H.
13	4939M	Retainer Spring
15	175562	Plate Asm Suspension Front
16	73350800	Nut Jam Hex 1/2-13 Unc
17	175689	Trunnion Front Susp.
18	73800800	Nut Lock w/Wsh 1/2-13 Unc
20	163552	Retainer Spring
31	176205	Trunion Sups. Arm.
32	175994	Nut Lift Link 7/16-20
36	155097	Pointer Height Indicator
37	123935X	Plug Hole
38	17060516	Screw 5/16-18 x 1
40	19112410	Washer 11/32 x 1-1/2 x 10 Ga
41	155098	Indicator Height Stlt
49	145212	Nut Hex/Large Lock
51	19171416	Washer 17/32 x 7/8 x 16 Ga.
52	175378	Arm Suspension Rear LH
53	175802	Arm Suspension Rear RH
54	175560	Pin Flange

NOTE: All component dimensions given in U. S.
inches 1 inch = 25.4 mm

REPAIR PARTS

TRACTOR- -MODEL NO. 917. 250980

MOWER DECK



REPAIR PARTS

TRACTOR- -MODEL NO. 917. 250980

MOWER DECK

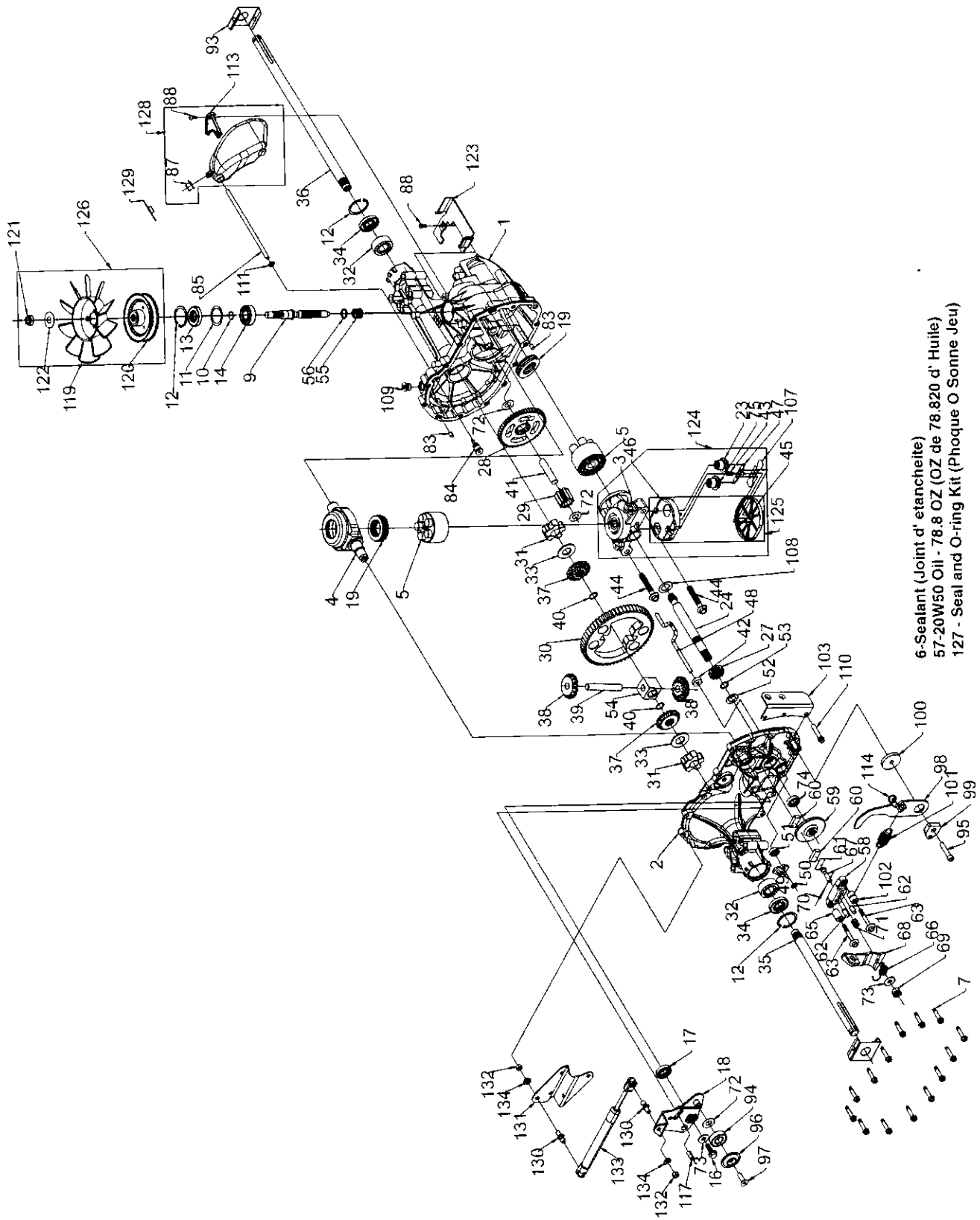
KEY NO.	PART NO.	DESCRIPTION	KEY NO.	PART NO.	DESCRIPTION
1	174348	Deck Weldment Mower 48	55	72140608	Bolt RDHD SQNK 3/8-16 x 1
3	138017	Bracket Asm., Sway Bar	56	155986	Bar Pnt Adj.
5	4939M	Retainer Spring	57	156941	Pin Head Rivet
6	130832	Arm, Suspension, Rear (Sway Bar)	72	19131312	Washer 13/32 x 13/16 x 12
8	174365	Bolt 7/16 Asm. Blade	90	74760516	Bolt Hex Hd 5/16-18Unc x 1
11	173920	Blade	91	175384	Bracket Asm Noseroller LH
13	174360	Shaft Mandrel Asm. Greaseable	92	73800600	Nut Lock Hex W/Ins 3/8-16
14	174358	Housing Mandrel	93	19171416	Washer 17/32 x 7/8 x 16 Ga.
15	110485X	Bearing, Ball, Mandrel	94	176066	Noseroller
16	174493	Stripper Mandrel Deck	95	175996	Bracket Asm Noseroller RH
17	72110610	Bolt RDHD Sq Neck 3/8-16 x 1.25	97	133943	Washer Hardened
18	72140505	Bolt, Carriage 5/16-18 x 5/8	98	174370	Spring Primary Drive
19	132827	Bolt, Hex Hd, Shoulder 5/16-18	99	175080	Pulley Idler"V"
20	174378	Baffle, Vortex Mower	100	72110616	Bolt RDHD Sqnk 3/8-16 UNC x 2
21	73680500	Nut, Crownlock 5/16-18 UNC	107	175294	Baffle Vac Edge Mower
24	105304X	Cap, Sleeve	108	72110404	Bolt Carr.
25	178102	Spring, Torsion	109	73680400	Nut Crownlock 1/4-20
26	110452X	Nut, Push	110	175016	Arm Spring Secondary
27	174346X428	Deflector Shield	112	174387	Link Tension Relief Lever
28	19111016	Washer 11/32 x 5/8 x 16 Ga.	113	72110508	Bolt Carr. 5/16-18 x 1
29	131491	Rod, Hinge	114	174384	Tension Asm Relief Lever
30	157722	Screw, Thdroll Washer Head	115	174609	Arm Spring Tension Relief
31	129963	Washer, Spacer Mower Vented	116	137644	Bolt, Shoulder
32	177865	Pulley, Mandrel	117	174873	Gauge Wheel
33	178342	Nut, Flg. Top Lock Cntr. 9/16	118	73930600	Nut, Centerlock 3/8-16 UNC
36	19131316	Washer 13/32 x 13/16 x 16 Ga.	119	19121414	Washer 3/8 x 7/8 x 14 Ga.
37	173437	Pulley, Idler, Flat	121	174371	Spring Secondary Drive
39	174375	Pulley, Idler, Driven	122	174606	Bushing Pivot Tension Relief
42	165723	Spacer, Retainer	126	174372	Arm, Idler, Primary Deck
43	174373	Arm, Idler Secondary	130	17060616	Screw 3/8-16 x 1.0
45	174343	Cover, Mandrel Deck	180	73800500	Nut Lock Hx W/Ins 5/16-18 Unc
46	137729	Screw, Thdroll. 1/4-20 x 5/8	--	175312	Deck Complete (Std. Deck- Order separately noseroller components)
47	174369	V-Belt, Mower, Secondary	--	174356	Mandrel Asm. Service (Includes Key Nos. 13-15)
48	174368	V-Belt, Mower, Primary			
49	73680600	Nut, Crownlock 3/8-16 UNC			
50	72110612	Bolt, Carr. 3/8-16 x 1-1/2 Gr. 5			
52	175820	Pulley Idler Flat			
54	74780616	Bolt Fin Hex 3/8-16 x 1			

NOTE: All component dimensions given in U. S. inches 1 inch = 25.4 mm

REPAIR PARTS

TRACTOR- -MODEL NO. 917. 250980

HYDRO GEAR TRANSAXLE - - MODEL NUMBER 323-0510



- 6-Sealant (Joint d' etancheite)
- 57-20W50 Oil - 78.8 OZ (OZ de 78.820 d' Huile)
- 127 - Seal and O-ring Kit (Phoque O Sonme Jeu)

REPAIR PARTS

TRACTOR- -MODEL NO. 917. 250980

HYDRO GEAR TRANSAXLE - - MODEL NUMBER 323-0510

KEY NO.	PART NO.	DESCRIPTION	KEY NO.	PART NO.	DESCRIPTION
1	170351	Main Housing, Assembly	67	170413	Sq. Hd. Bolt 5/16-24-Ribbed
2	170352	Side Housing, Assembly	68	178782	Arm, Brake
3	170353	Center Section, Assembly	69	170415	Slotted Hex Nut 5/16-24
4	170354	Swashplate, Trunion Machined	70	170416	Cotter Pin 3/32 X 3/4
5	169898	Block - Assembly	71	170417	Compression Spring Brake Anti-Drag
6	170355	Sealant 10.5 Oz	72	170418	Washer, Ht .5 I.D. X 1 O.D. X .032
7	170356	Hex Flange Screw 1/4-20 X 1.25	73	142884	Flat - Washer 11/32 I.D. X 7/8 Od
8	170357	Stud, 5/16-24 Hex Double End	74	170419	Oil Seal .625 X 1.0 X .25
9	170358	Shaft, Input	75	170420	Check Plug Assembly, .027, Washer
10	170359	Ring - Retaining	76	170421	Stud, 5/16-24 Friction Pack
11	170360	Spacer	77	170422	Puck, .330 X 1.50 X .0975
12	169870	Ring - Retaining	78	142969	Spring, Helical Comp
13	170361	Seal, Lip .67 X 1.58 X .276	79	142980	Spacer
14	169869	Ball Brg 17mm Id X 40mm Od X 12mm	80	150778	Hex Lock Nut 5/16-24Unj(Nylon Insert)
16	170362	Hex Flange Head Screw 5/16-24X0.75	81	170423	Wedge, Friction Pack
17	170363	Lip Seal 18 X 32 X 7	82	170424	Clip, Washer .316x1.50x.1046 (Plated)
18	178781	Arm, Control	83	161168	Pin, Standard Headless
19	150771	Bearing, 30x52x13 Thrust	84	170425	Fitting, 5/16 Sae 5/32 Tube
23	170365	Check Plug Assembly, Washer	85	170426	Hose, Expansion Tank
24	170366	Shaft, Motor	87	142917	Cap - Poppet Valve
27	170367	Gear - Pinion, 13t	88	170429	Bolt, Self Tapping 10-32 X 1/2
28	170368	10t/48t Gear	90	170430	Puck, Inner Wedge
29	170369	Gear, 10t Jackshaft	93	170431	Spring Clip - Housing Thrust
30	170370	60t Bull Gear	94	178783	Bearing, Ball
31	170371	Sleeve Bearing .75 X 1.575 X .625	95	178784	Screw, Socket Head Cap 5/16-24X1-1/2
32	170389	SleeveBearing(Outboard) .75x1.750x.625	96	178786	Spacer, Locating
33	142991	Washer, 3/4 Id X 1-1/2 Od X .13 Thk	97	178787	Screw, SFHCS 5/16-18 X1
34	170390	Lip Seal Axle Seal	98	178789	Arm Return
35	170391	Shaft, Axle .75 X 11.39(Key,R.H.)	99	178792	Puck, Adjusting
36	170392	Shaft, Axle .75 X 16.99 (Key,L.H.)	100	178793	Washer, .24 ID X 1.60 OD X .239
37	150792	Miter Gear (Splined)	101	178794	Spring, Extension
38	150793	Miter Gear 15t (0.5 Id)	102	178795	Spacer .260 ID X .560 OD X .870
39	150809	Shaft	103	178796	Bracket, Torque
40	170393	Ring, Spiral Retaining	107	170432	Deflector
41	170394	Pin, Jackshaft	108	170433	Washer, Motor Shaft .71idx1.150dx.030thk
42	170395	Magnet, Ring	109	170434	Plug, Sae #6
43	170396	Spring, Bypass	111	170435	O-Ring .07 X .301 I.D.
44	150797	Hydro Mtg Screw 3/8-24 X 2.5 Lg	113	170437	Bracket, Support Expansion Tank
45	170397	Filter	114	178797	Spring
46	170398	Base, Filter	116	170438	Silicon Sponge
47	170999	Actuator, Bypass	117	178799	Pin, Spring
48	170400	Rod, Bypass Actuator	119	170439	Fan, 7 In.
49	170401	Arm, Bypass	120	170440	Pulley
50	170402	Retaining Ring .250 External	121	170441	Hex Lock Nut 1/2-20 (Nylon Ins.)
51	170403	Seal, Lip .741 X .250 X .250 Tc	122	170442	Washer, Belleville
52	170404	Flat Washer, 5/8Id x 1.0 Od x .05 Thk	123	178800	Belt Keeper
53	170405	Retaining Ring	124	170444	Center Section-Filter-Bypass Asm.
54	170406	Bearing, Center Block	125	170445	Filter Assembly
55	142977	Spring - Helical Compression	126	170446	Fan - Pulley Service Assembly
56	142978	Washer	127	170447	Seal - O-Ring Kit
57	150798	20w-50 Oil	128	173165	Kit, Expansion Tank
58	170407	Brake Yoke	130	178802	Stud Ball
59	170408	Rotor, Brake	131	178803	Bracket, Cruise Damper
60	142883	Brake Puck	132	178804	Hex Nut 5/16-18 NC
61	142882	Puck Plate	133	178806	Damper
62	142887	Brake Actuating Pin	134	178808	Washer, Helical Spring Lock 5/16
63	170410	Hfhcs 1/4-20x2 W/Patch,SpecialFlange	900	173839	Transaxle Complete
64	142892	Bolt, 1/4-20 X 1 W/Patch			
65	170411	Spacer			
66	170412	Spring, Brake Arm Bias			

NOTE: All component dimensions given in U.S. inches
1 inch = 25.4 mm

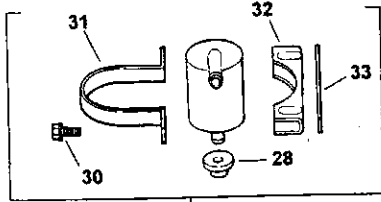
REPAIR PARTS

TRACTOR- -MODEL NO. 917. 250980

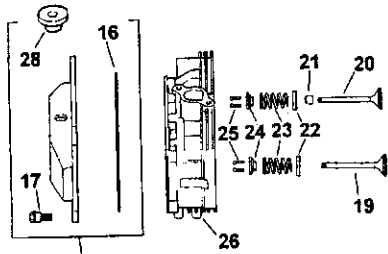
KOHLER ENGINE-MODEL NUMBER CV624 TYPE NUMBER 65578

CYLINDER HEAD, VALVE AND BREATHER

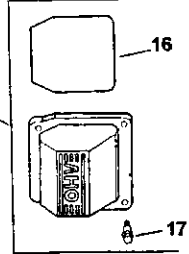
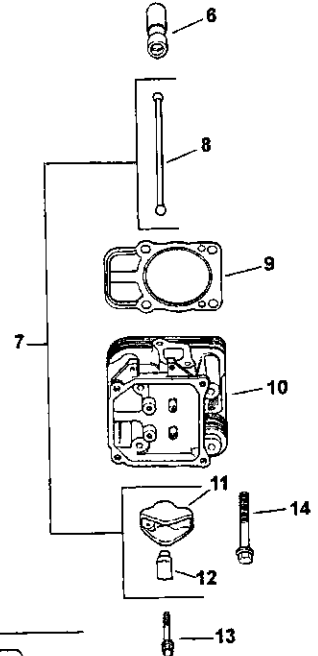
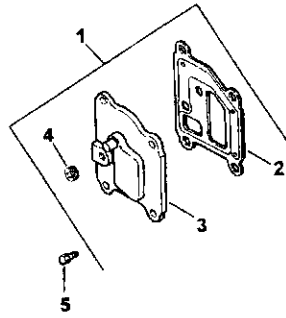
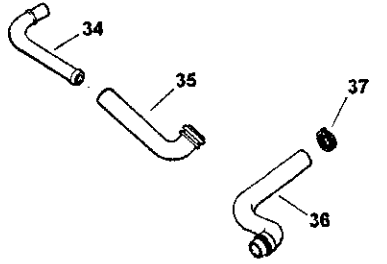
Cylindre Dirige Soupape et Reniflard



29

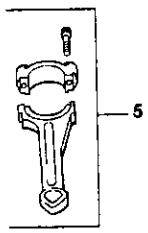
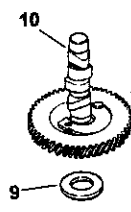
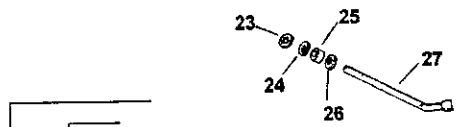
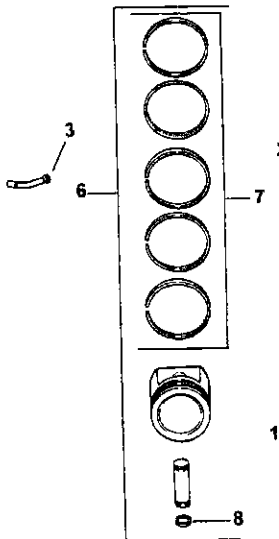
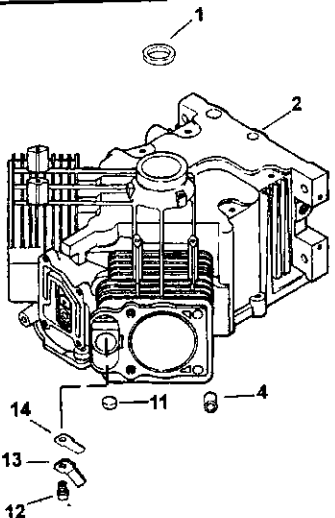


27



CRANKCASE

Carter-Moteur



REPAIR PARTS

TRACTOR- -MODEL NO. 917. 250980

KOHLER ENGINE-MODEL NUMBER CV624 TYPE NUMBER 65578

HEAD/VALVE/BREATHER

KEY PART NO.	NO.	DESCRIPTION
1	24-033-01-S	Kit, breather cover w/gasket (Includes 2-4)
2	24-041-23-S	Gasket, breather
3	24-096-59-S	Cover, breather
4	25-139-60-S	Plug, allen hd. 1/8"
5	M-645020	Screw, hex. flange M6x1.0x20 (4)
6	25-351-01-S	Lifter, valve (4)
7	24-755-66-S	Kit, valve train (Includes 8,11,12)
8	24-411-05-S	Rod, push (4)
9	24-041-08-S	Gasket, cylinder head (2)
10	24-318-12-S	Head assembly, #2 cylinder
11	25-186-01-S	Arm, rocker (4)
12	24-599-01-S	Pivot, rocker arm (4)
13	M-640034-S	Screw, hex. flange M6x1.0x34 (4)
14	12-086-16-S	Screw, hex. flange M10x1.5x90 (8)
15	24-755-74-S	Kit, valve cover - plain (Includes 16,17)
16	24-153-16-S	O-Ring
17	24-086-32-S	Screw, shoulder (4)
18	24-445-01-S	Strap, lifting
19	24-016-01-S	Valve, exhaust (Std.) (2)
	24-016-02-S	Valve, exhaust (.25) (2)
20	24-017-01-S	Valve, intake (Std.) (2)
	24-017-02-S	Valve, intake (.25) (2)
21	24-032-05-S	Seal, valve stem (2)
22	235011-S	Retainer, spring (4)
23	24-089-02-S	Spring, valve (4)
24	12-173-01-S	Cap, valve spring (4)
25	12-755-03-S	Kit, retainer (4)
26	24-318-11-S	Head assembly, #1 cylinder
27	24-755-76-S	Kit, valve cover - breather (Incl. 16,17,28)
28	25-313-02-S	Grommet, rubber
29	24-755-57-S	Kit, breather separator (Includes 28,30-33)
30	M-545016-S	Screw, hex. flange M5x0.8x16 (2)
31	24-445-02-S	Strap, breather
32	24-126-44-S	Bracket, breather separator
33	24-112-12-S	Spacer
34	24-294-06-S	Fitting
35	24-326-13-S	Hose, breather
36	24-326-14-S	Hose, breather
37	25-237-14-S	Clamp, hose (2)

CRANKCASE

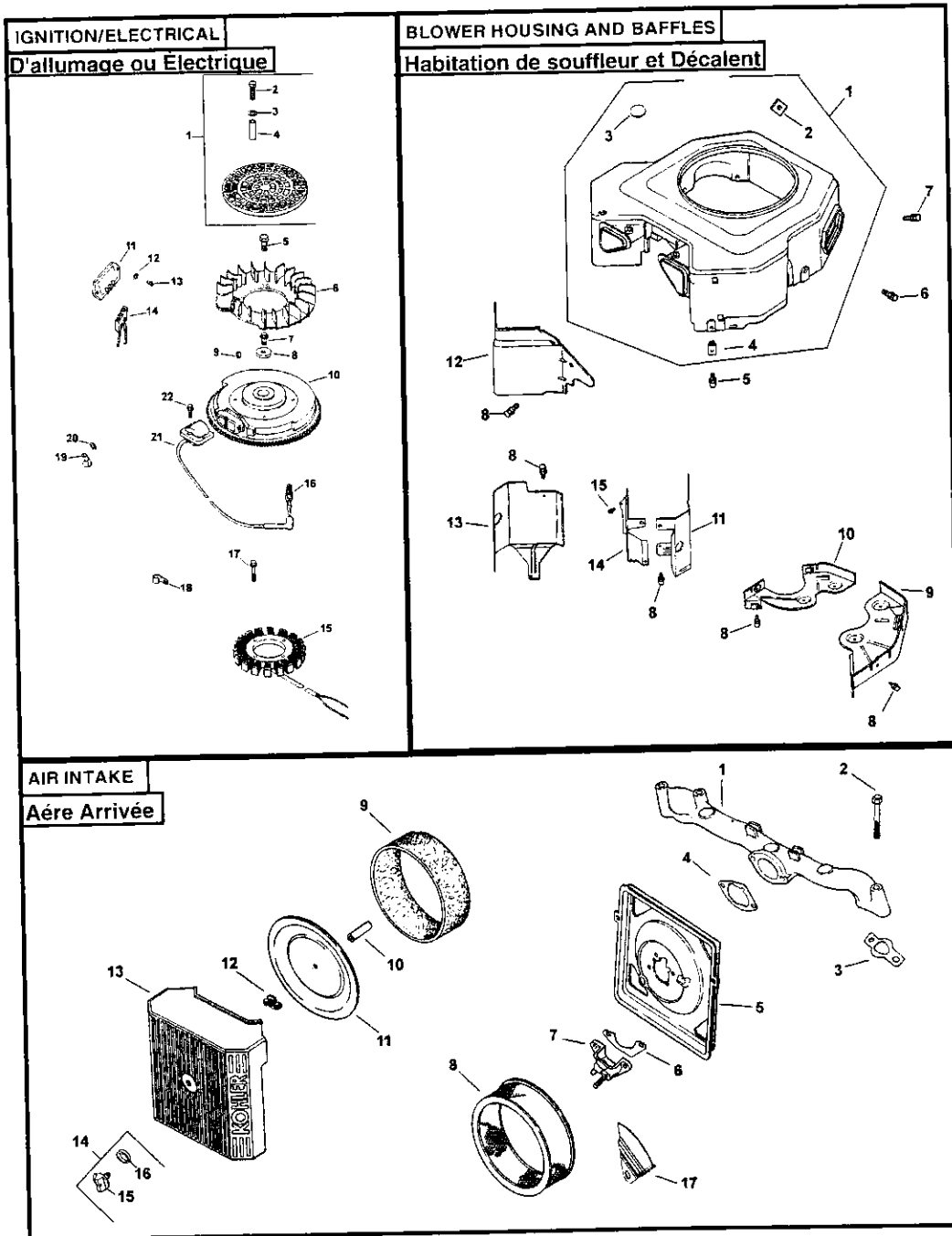
KEY PART NO.	NO.	DESCRIPTION
1	24-032-01-S	Seal, oil front
2		Crankcase (USE: Miniblock 24 782 24)
3	24-294-13-S	Fitting
4	24-380-13-S	Pin, dowel locating (6)
5	24-067-13-S	Connecting Rod (Std.) (2)
	24-067-14-S	Connecting Rod (.25) (2)
6	24-874-17-S	Piston w/Ring Set (Std.) (2) (Includes 7, 8)
	24-874-18-S	Piston w/Ring Set (.25) (2)
	24-874-19-S	Piston w/Ring Set (.50) (2)
	24-874-14-S	Piston w/ring set (.08)
7	24-108-11-S	Ring Set (Std.) (2)
	24-108-12-S	Ring Set (.25) (2)
	24-108-13-S	Ring Set (.50) (2)
8	24-018-01-S	Retainer, piston pin (4)
9	12-422-09-S	Shim, camshaft (A.R.)
	12-422-13-S	Shim, camshaft (A.R.)
	12-422-07-S	Shim, camshaft (A.R.)
	12-422-08-S	Shim, camshaft (A.R.)
	12-422-10-S	Shim, camshaft
	12-422-11-S	Shim, camshaft (A.R.)
	12-422-12-S	Shim, camshaft (A.R.)
10	24-012-10-S	Camshaft
11	52-139-09-S	Plug, cup
12	M-545010-S	Screw, hex. flange M5x0.8x10 (2)
13	24-018-04-S	Retainer, reed (2)
14	24-402-05-S	Reed, breather (2)
15	12-153-01-S	O-Ring, lower oil fill tube
16	24-126-19-S	Bracket, oil fill tube
17	12-123-04-S	Tube, oil fill
18	M-545016-S	Screw, hex. flange M5x0.8x16
19	12-153-02-S	O-Ring, upper oil fill tube
20	24-038-04-S	Dipstick assembly (Includes 21, 22)
21	24-755-46-S	Kit, oil fill cap (Includes 22)
22	12-153-03-S	O-Ring, dipstick
23	24-018-09-S	Retainer, ring
24	M-931010-S	Washer, nylon (top)
25	28-032-09-S	Seal, governor cross shaft
26	24-468-15-S	Washer (bottom)
27	24-144-33-S	Shaft, governor cross

NOTE: All component dimensions given in U.S. inches
1 inch = 25.4 mm

REPAIR PARTS

TRACTOR- -MODEL NO. 917. 250980

KOHLER ENGINE-MODEL NUMBER CV624 TYPE NUMBER 65578



REPAIR PARTS

TRACTOR- -MODEL NO. 917. 250980

KOHLER ENGINE-MODEL NUMBER CV624 TYPE NUMBER 65578

IGNITION/CHARGING

KEY PART NO.	PART NO.	DESCRIPTION
1	54-755-15-S	Kit, grass screen (Includes 2-4, and 24 113 18-S)
2	M-403025-S	Screw, hex. cap M4x0.7x25 (4)
3	X-25-92-S	Washer, plain 5/16" (4)
4	24-112-04-S	Spacer, grass screen (4)
5	25-086-47-S	Bolt, shoulder M6 X1.0 X16 S(4)
6	24-157-03-S	Fan
7	12-086-14-S	Screw, hex. flange M10x1.5x46
8	12-468-03-S	Washer, plain 3/8".
9	X-42-15-S	Key
10	24-025-04-S	Flywheel
11	25-403-03-S	Rectifier-regulator
12	X-25-92-S	Washer, plain 3/16" (2)
13	24-086-18-S	Screw, phillips hd. 11-16x7/8 (2)
14	236602-S	Connector (3 contact)
15	54-755-09-S	Kit, 15 amp stator (Includes 24 126 71-S)
16	12-132-06-S	Spark Plug (2)
17	M-548025-S	Screw, hex. cap M5x0.8x25 (2)
18	235173-S	Clip, cable
19	48-154-02-S	Clip, cable
20	X-25-63-S	Washer, plain 1/4"
21	24-584-01-S	Module, ignition (2)
22	M-545020-S	Screw, hex. flange M5x0.8x20 (4)
NOT ILLUSTRATED		
--	24-126-71-S	Bracket, stator wire
--	X-22-11-S	Washer, lock 1/4"
--	24-176-82-S	Harness, wiring Lead, black (rect.-reg. 5" - 12 gauge insulated grip barrel eyelets)
--	24-518-12-S	Decal, grass screen
--	24-113-18-S	Decal, grass screen
--	25-454-03-S	Tie, wire (3)

BLOWER HOUSING & BAFFLES

KEY PART NO.	PART NO.	DESCRIPTION
1	24-027-20-S	Housing, blower (Incl. 2-4)
2	24-100-01-S	Nut plastic (3)
3	25-139-16-S	Plug, button 9/16
4	24-100-02-S	Nut, plastic (2)
5	M-545020-S	Screw, hex. flange M5x0.8x20 (4)
6	M-545016-S	Screw, hex. flange M5x0.8x16 (3)
7	M-551016-S	Screw, hex. flange M5x0.8x16
8	M-645016-S	Screw, hex. flange M6x1.0x16 (6)
9	24-146-16-S	Plate, backing - # 2 side
10	24-146-20-S	Plate, backing - # 1 side
11	24-063-20-S	Baffle, cylinder barrel-# 2 side
12	24-063-14-S	Baffle, valley - #2 side
13	24-063-58-S	Baffle, cylinder barrel-# 1 side
14	24-063-23-S	Baffle, valley - #1 side
15	M-545010-S	Screw, hex. flange M5x0.8x10 (2)

AIR INTAKE/FILTRATION

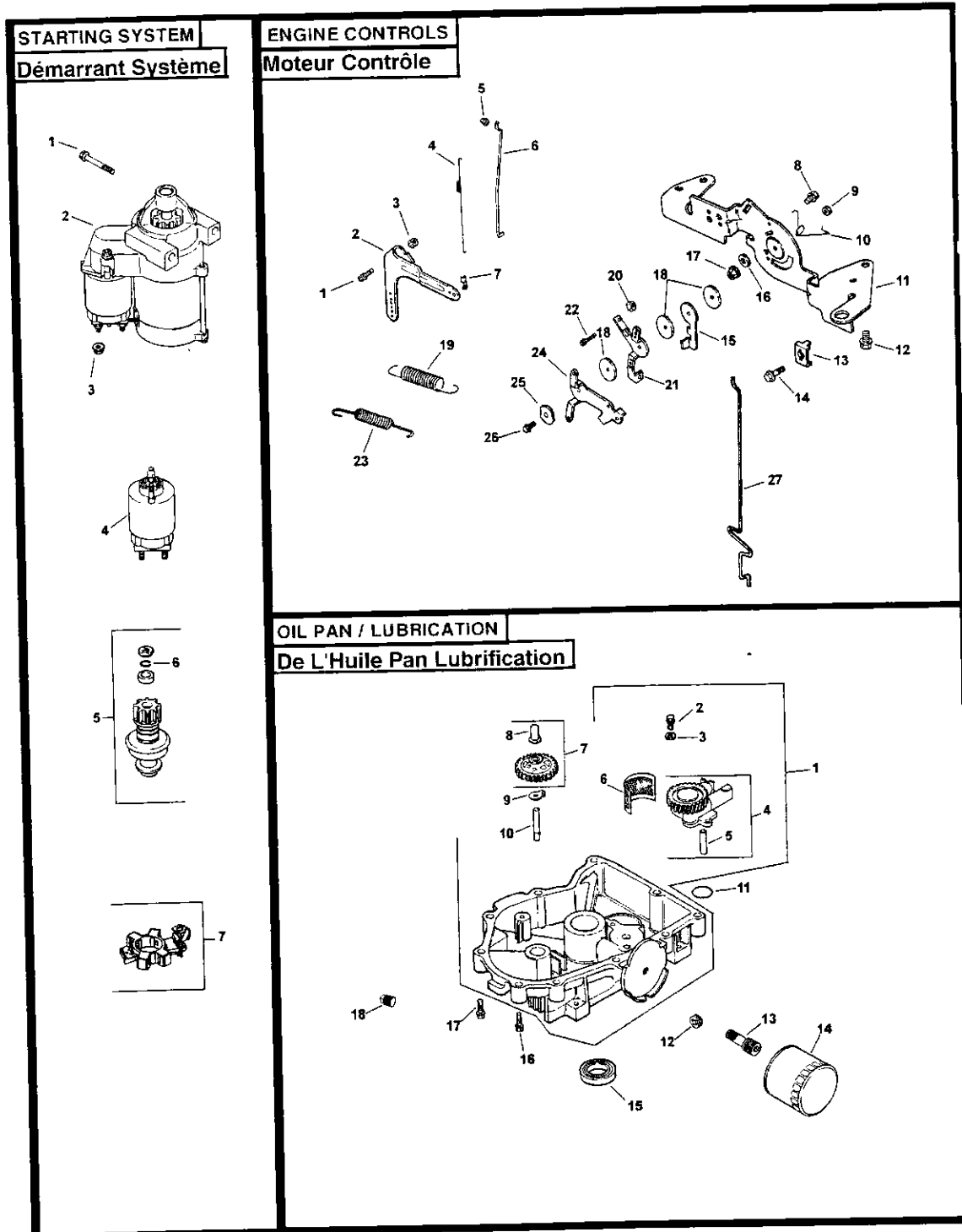
KEY PART NO.	PART NO.	DESCRIPTION
1	24-164-06-S	Manifold, intake
2	M-651055-S	Screw, hex. flange M6x1.0x55 (4)
3	24-041-01-S	Gasket, intake manifold (2)
4	24-041-14-S	Gasket, air cleaner base
5	24-094-19-S	Base, air cleaner
6	24-041-13-S	Gasket, fuel spitback cup
7	24-109-10-S	Cup, fuel spitback
8	24-083-02-S	Precleaner, element
9	47-083-03-S	Element, air cleaner
10	24-032-03-S	Seal, inner air cleaner
11	24-096-01-S	Cover, inner air cleaner
12	12-100-01-S	Wing Nut
13	24-096-67-S	Cover, air cleaner
14	54-755-01-S	Kit, knob with seal (Includes 15 & 16)
15	24-153-20-S	O-Ring
16	25-341-03-S	Knob, cover
17	24-063-51-S	Baffle, fuel spit-back

NOTE: All component dimensions given in U.S. inches
1 inch = 25.4 mm

REPAIR PARTS

TRACTOR- -MODEL NO. 917. 250980

KOHLER ENGINE-MODEL NUMBER CV624 TYPE NUMBER 65578



REPAIR PARTS

TRACTOR- -MODEL NO. 917. 250980

KOHLER ENGINE-MODEL NUMBER CV624 TYPE NUMBER 65578

STARTING SYSTEM

KEY PART NO.	PART NO.	DESCRIPTION
1	M-839080-S	Screw, hex. flange M8x1.25x80 (2)
2	25-098-08-S	Starter, solenoid shift assembly (Includes 4-7)
3	M-841080-S	Nut, hex. flange
4	25-435-04-S	Kit, solenoid
5	25-755-33-S	Kit, pinion drive (Includes 6)
6	25 141 05-S	Ring
7	25-221-01-S	Kit, brush

ENGINE CONTROLS

KEY PART NO.	PART NO.	DESCRIPTION
1	24-211-03-S	Bolt, round head square neck
2	24-090-33-S	Lever, governor
3	M-641060-S	Nut, hex. flange M6x1.0
4	24-089-01-S	Spring, linkage
5	25-158-08-S	Bushing, linkage retaining
6	24-079-04-S	Linkage, throttle
7	25-158-11-S	Bushing, throttle linkage
8	M-545016-S	Screw, hex. flange M5x0.8x16 (1)
9	M-547050-S	Nut, hex. lock M5x0.8
10	24-089-03-S	Spring, choke return
11	24-126-56-S	Bracket, control
12	M-645016-S	Screw, hex. flange M6x1.0x16 (4)
13	12-237-01-S	Clamp, cable (2)
14	24-086-43-S	Screw, thread forming (2)
15	24-090-07-S	Lever, throttle actuator
16	X-20-1-S	Washer, lock 1/4"
17	M-541050-S	Nut, hex. flange M5x0.8
18	24-468-01-S	Washer, plain 5.5 mm (3)
19	24-089-45-S	Spring, governor
20	M-446030-S	Nut, hex. M4x0.7
21	24-090-13-S	Lever, throttle control
22	M-545020-S	Screw, hex. flange M5x0.8x20
23	24-089-51-S	Spring, throttle limiter
24	24-090-05-S	Lever, choke
25	41-468-03-S	Washer, spring 1/4"
26	M-403025-S	Screw, hex. cap M4x0.7x25
27	24-079-05-S	Linkage, choke

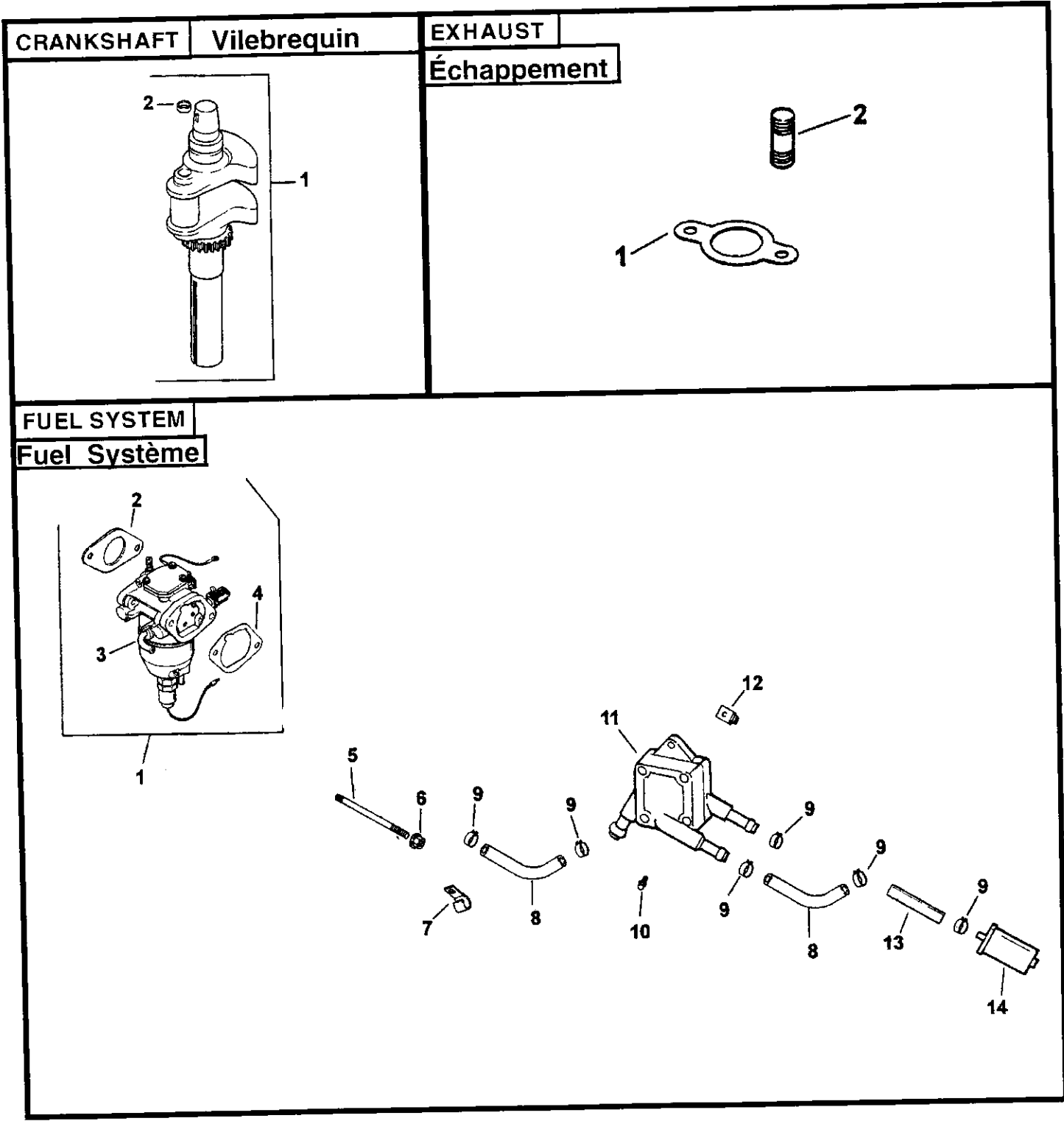
OIL PAN/LUBRICATION

KEY PART NO.	PART NO.	DESCRIPTION
1	24-199-07-S	Pan, oil assembly (Includes 2-10)
2	M-645025-S	Screw, hex. flange M6x1.0x25 (2)
3	M-631005-S	Washer, plain 6 mm (2)
4	24-393-08-S	Oil pump assembly (Includes 5)
5	24-123-05-S	Tube, oil pickup
6	24-162-26-S	Screen, oil
7	24-043-12-S	Kit, governor gear w/pin (Includes 8)
8	12-380-01-S	Pin, governor regulating
9	52-448-02-S	Tab, locking
10	12-144-02-S	Shaft, governor gear
11	24-153-08-S	O-Ring
12	25-139-62-S	Plug, hex. ctsk. 3/8"
13	24-136-01-S	Nipple, oil filter
14	52-050-02-S	Filter, oil
15	52-032-08-S	Seal, oil (PTO end)
16	24-086-17-S	Screw, hex. flange M8x1.25x45
17	24-086-16-S	Screw, hex. flange M8x1.25x45 (9)
18	25-139-57-S	Plug, sq. hd. solid 3/8" N.P.T.F.

NOTE: All component dimensions given in U.S. inches
1 inch = 25.4 mm

REPAIR PARTS

TRACTOR- -MODEL NO. 917. 250980
KOHLER ENGINE-MODEL NUMBER CV624 TYPE NUMBER 65578



REPAIR PARTS

TRACTOR- -MODEL NO. 917. 250980

KOHLER ENGINE-MODEL NUMBER CV624 TYPE NUMBER 65578

CRANKSHAFT

KEY PART NO.	NO.	DESCRIPTION
1	24-014-42-S	Crankshaft (Includes 2)
2	52-139-09-S	Plug, cup

EXHAUST

KEY PART NO.	NO.	DESCRIPTION
1	24-041-02-S	Gasket, exhaust (2)
2	25-072-04-S	Stud, M8x1.25x33 (4)
NOT ILLUSTRATED		
--	PA-65578	Replacement Engine
--	24-522-221	Short Block
--	24-782-24	Miniblock
--	24-755-107-S	Gasket Set

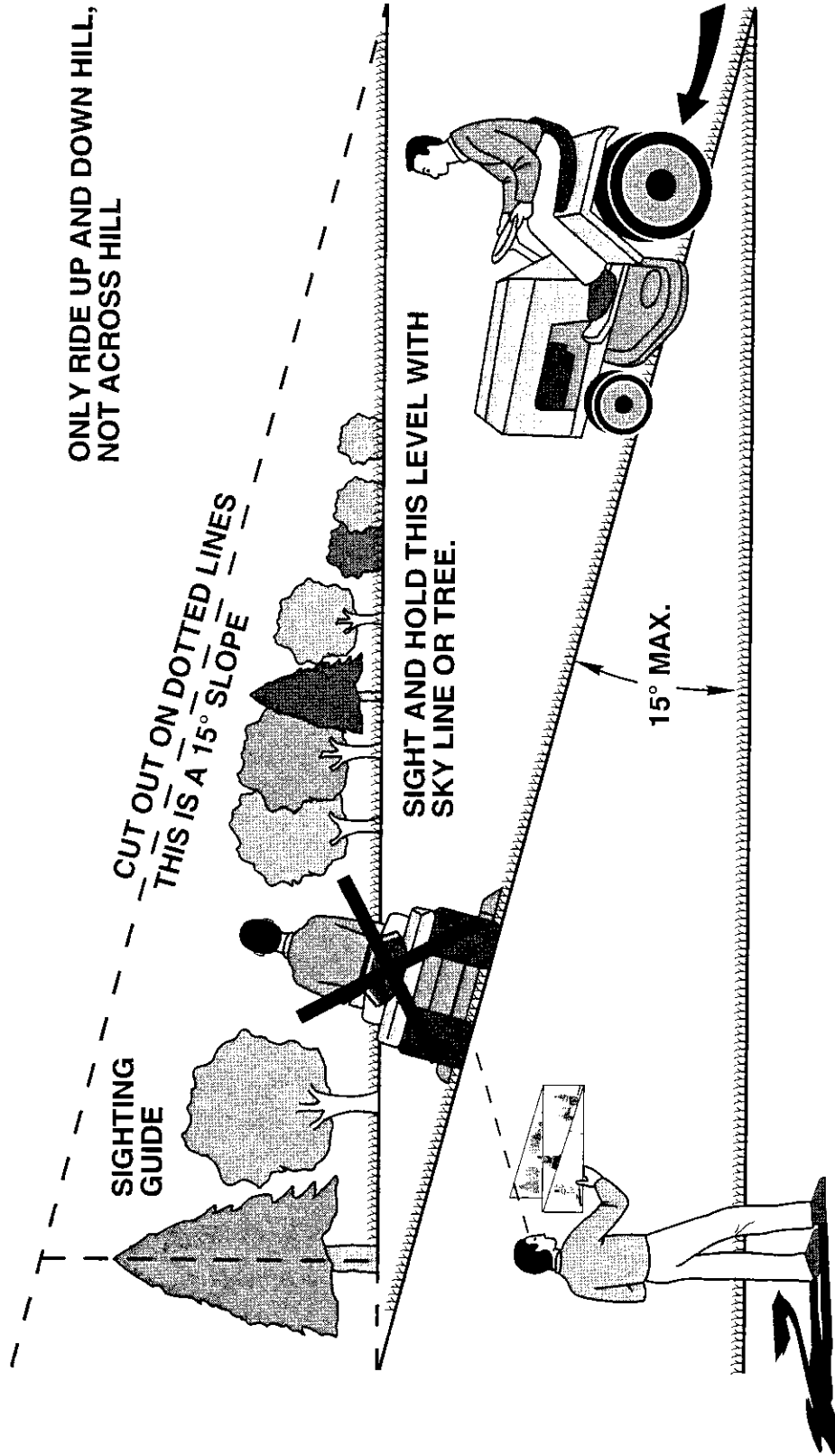
FUEL SYSTEM


KEY PART NO.	NO.	DESCRIPTION
1	24-853-25-S	Kit, carburetor w/gaskets (Includes 2-4)
2	24-041-15-S	Gasket, carburetor
3	24-053-25	Carburetor assembly (For information only not available separately) (Service with kits 24-757-18-S, 24-757-19-S, 24-757-20-S, 24-757-22-S)
4	24-041-14-S	Gasket, air cleaner base
5	M-629095-S	Stud, M6x1.0x95 (2)
6	M-641060-S	Nut, hex. flange M6x1.0 (2)
7	47-154-01-S	Clip, cable
8	24-353-03-S	Line, fuel 10-5/8" (2)
9	25-237-14-S	Clamp, hose (6)
10	24-086-12-S	Screw, hex. cap. M6x1.7x18 (2)
11	24-393-16-S	Pump, fuel - pulse
12	24-100-01-S	Nut, plastic (2)
13	15-353-04-S	Line, fuel 11-1/2"
14	24-050-02-S	Filter, fuel
NOT ILLUSTRATED		
--	24-757-18-S	Kit, overhaul w/gaskets
--	24-757-19-S	Kit, choke repair w/gaskets
--	24-757-20-S	Kit, gasket
--	24-757-22-S	Kit, solenoid replacement w/gaskets

NOTE: All component dimensions given in U.S. inches
1 inch = 25.4 mm

SERVICE NOTES

SUGGESTED GUIDE FOR SIGHTING SLOPES FOR SAFE OPERATION



 Operate your Tractor up and down the face of slopes (not greater than 15°), never across the face. Make turns gradually to prevent tipping or loss of control. Exercise extreme caution when changing direction on slopes.

LIMITED TWO YEAR WARRANTY ON CRAFTSMAN RIDING EQUIPMENT

For two (2) years from the date of purchase, if this Craftsman Riding Equipment is maintained, lubricated and tuned up according to the instructions in the owner's manual, Sears will repair or replace, free of charge, any parts found to be defective in material or workmanship.

This Warranty does not cover:

- Expendable items which become worn during normal use, such as blades, spark plugs, air cleaners, belts, etc.
- Tire replacement or repair caused by punctures from outside objects, such as nails, thorns, stumps, or glass.
- Repairs necessary because of operator abuse, negligence, improper storage or accident or the failure to maintain the equipment according to the instructions contained in the owner's manual.
- Riding equipment used for commercial or rental purposes.

LIMITED 90 DAY WARRANTY ON BATTERY

For ninety (90) days from date of purchase, if any battery included with this riding equipment proves defective in material or workmanship and our testing determines the battery will not hold a charge, Sears will replace the battery at no charge.

IN-HOME WARRANTY SERVICE ON YOUR CRAFTSMAN RIDING EQUIPMENT IS AVAILABLE AT NO-CHARGE FOR 30 DAYS FROM THE DATE OF PURCHASE. PLEASE CONTACT YOUR NEAREST SERVICE CENTER. AFTER 30 DAYS FROM THE DATE OF PURCHASE, WARRANTY SERVICE IS AVAILABLE BY TAKING YOUR CRAFTSMAN RIDING EQUIPMENT TO YOUR NEAREST SEARS SERVICE CENTER. (IN-HOME WARRANTY SERVICE WILL STILL BE AVAILABLE AFTER 30 DAYS FROM THE DATE OF PURCHASE BUT A STANDARD TRIP CHARGE WILL APPLY.) THIS WARRANTY APPLIES ONLY WHILE THIS PRODUCT IS IN THE UNITED STATES.

This Warranty gives you specific legal rights, and you may also have other rights which may vary from state to state.

SEARS, ROEBUCK AND CO., D/817 WA, HOFFMAN ESTATES, IL 60179

CRAFTSMAN®