



**REPAIR PARTS MANUAL**  
**MODEL NO. 251160**  
**Lawn Tractor**

*23HK 48"*

**CRAFTSMAN®**

# HOW TO USE THIS MANUAL

This manual is designed to provide the customer with a means to identify the parts on his/her tractor when ordering repair parts. The illustrations may or may not represent the actual assemblies; therefore, it is not recommended to use this manual as a guide to assemble or disassemble the tractor. Some hardware and parts are drawn larger in order to more readily identify them.

Each tractor has its own model number.

The model number for your tractor can be found on the fender under the seat.

When ordering parts, always give the following information:

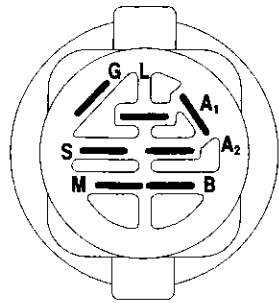
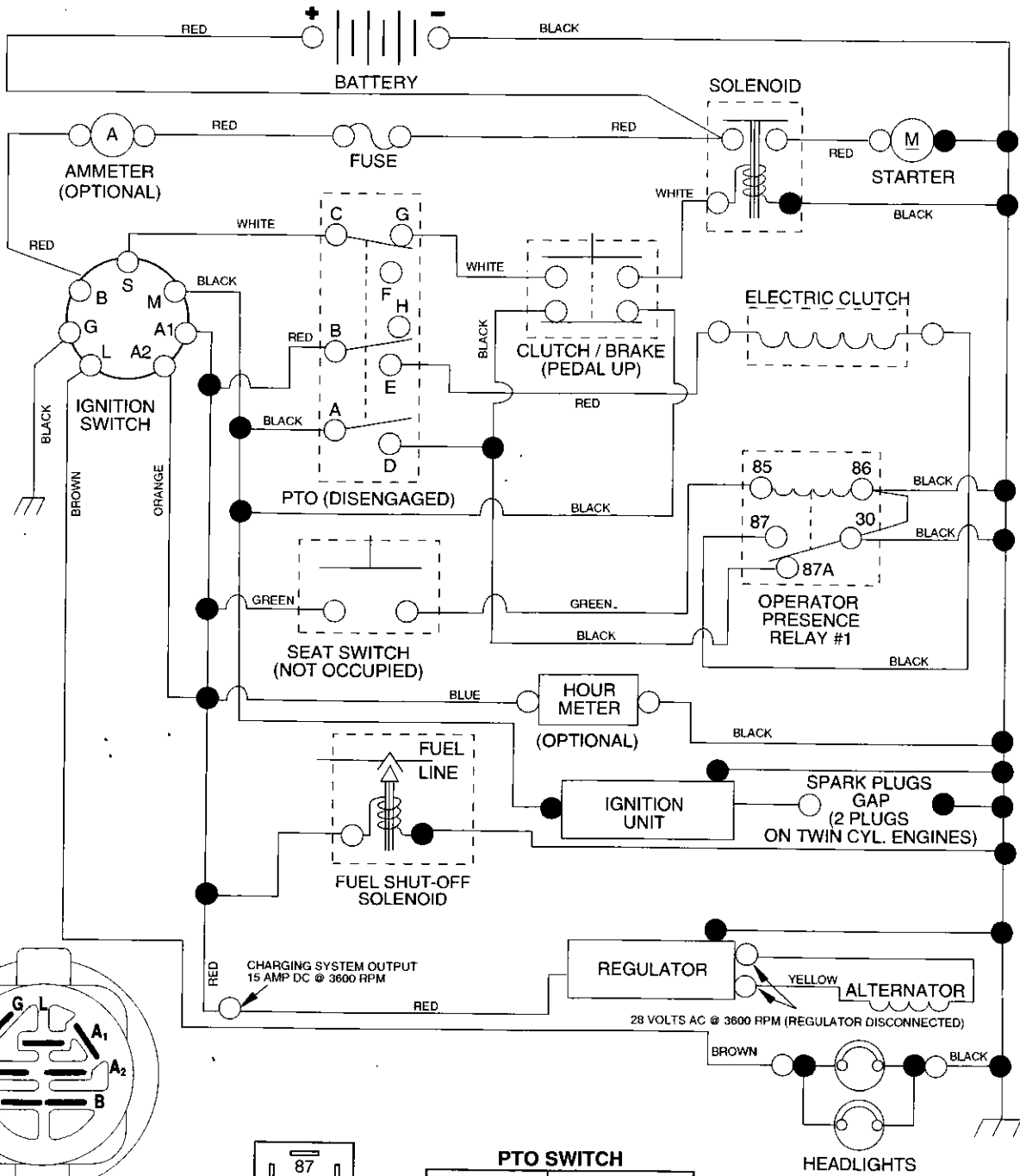
- Product - "Tractor"
- Model Number - "251160"
- Part Number
- Part Description

## TABLE OF CONTENTS

<b>SCHEMATIC.....</b>	<b>3</b>
<b>ELECTRICAL.....</b>	<b>4-5</b>
<b>CHASSIS.....</b>	<b>6-7</b>
<b>DRIVE.....</b>	<b>8-9</b>
<b>STEERING.....</b>	<b>10-11</b>
<b>SEAT.....</b>	<b>12</b>
<b>DECALS.....</b>	<b>13</b>
<b>ENGINE.....</b>	<b>14-15</b>
<b>MOWER LIFT.....</b>	<b>16-17</b>
<b>MOWER DECK.....</b>	<b>18-19</b>
<b>TRANSAXLE.....</b>	<b>20-21</b>
<b>ENGINE BREAKDOWN.....</b>	<b>22-29</b>
<b>WARRANTY.....</b>	<b>31</b>

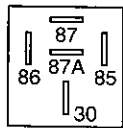
# TRACTOR- -MODEL NO. 917. 251160

## SCHEMATIC



**IGNITION SWITCH**

POSITION	CIRCUIT	"MAKE"
OFF	M + G + A1	NONE
ON + LIGHTS	B + A1	L + A2
ON	B + A1	NONE
START	B + S + A1	NONE



**RELAY**

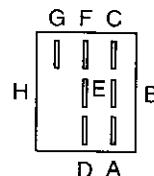
PTO SWITCH	
POSITION	CIRCUIT
OFF	C + G, B + H
ON	C + F, B + E, A + D



REMOVABLE CONNECTIONS



NON-REMOVABLE CONNECTIONS

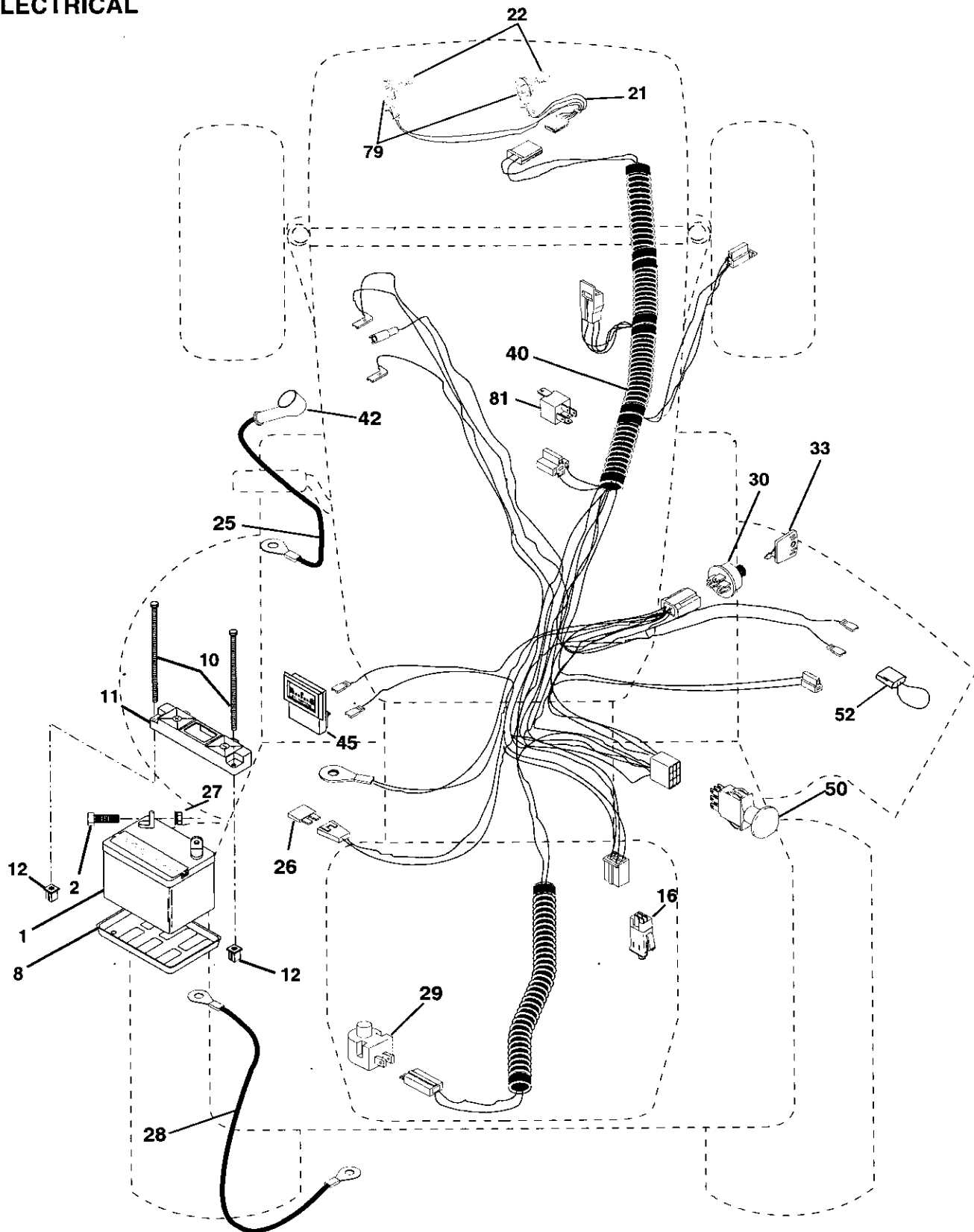


**WIRING INSULATED CLIPS**  
**NOTE:** IF WIRING INSULATED CLIPS WERE REMOVED FOR SERVICING OF UNIT, THEY SHOULD BE REPLACED TO PROPERLY SECURE YOUR WIRING.

# REPAIR PARTS

TRACTOR- -MODEL NO. 917. 251160

## ELECTRICAL



# REPAIR PARTS

TRACTOR- -MODEL NO. 917. 251160

## ELECTRICAL

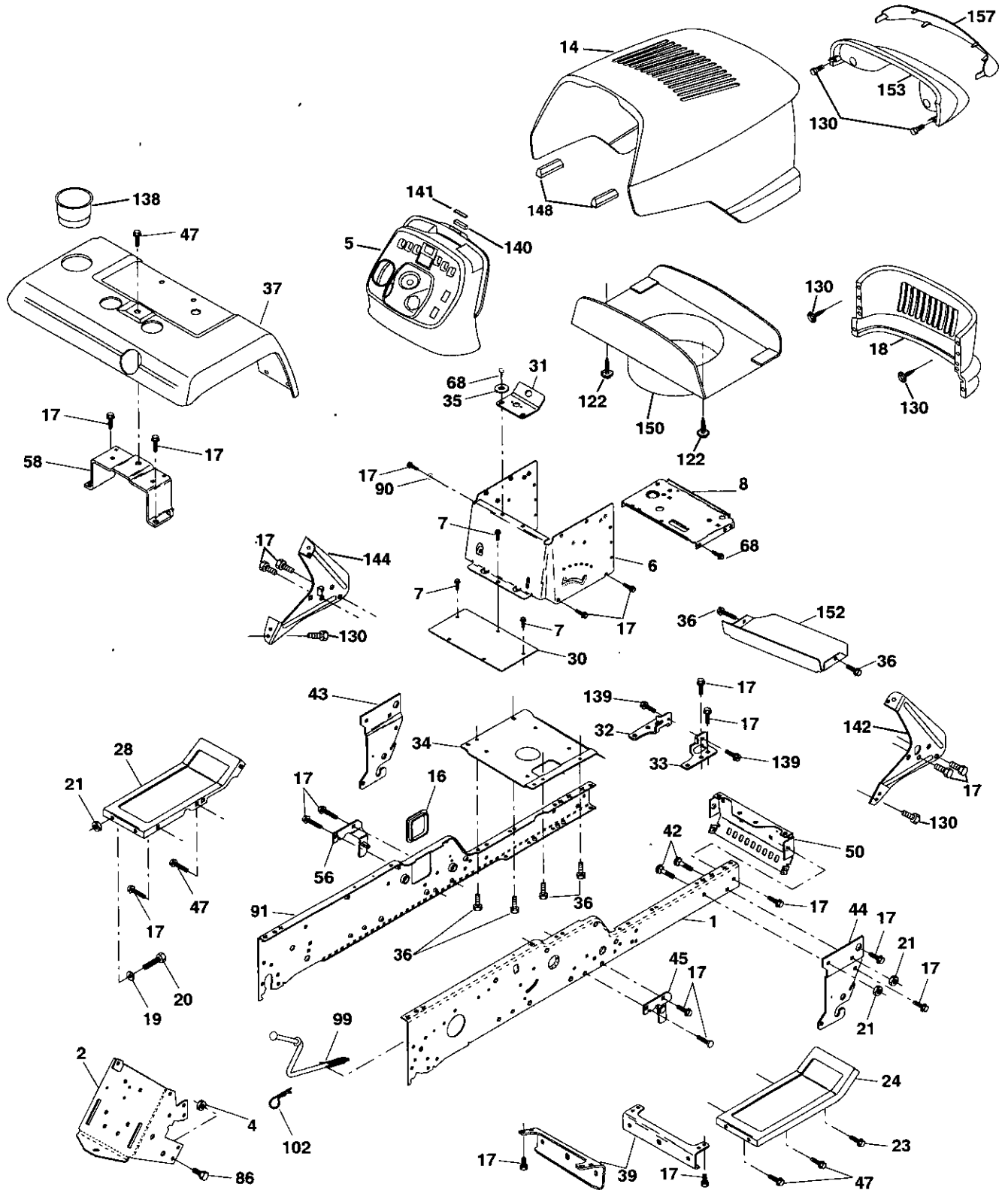
KEY NO.	PART NO.	DESCRIPTION
1	144927	Battery
2	74760412	Bolt Hex Head 1/4-20 x 3/4
8	7603J	Tray, Battery
10	145211	Bolt 1/4-20 x 7.5 Zinc
11	150109	Hold down Battery Dash Mount
12	145769	Nut Push Nylon 1/4"
16	153664	Switch Interlock Push-In
21	166184	Harness Socket Light W/4152J
22	4152J	Bulb Light
25	150755	Cable, Battery
26	108824X	Fuse
27	73510400	Nut Keps Hex 1/4-20 Unc
28	170697	Cable, Ground
29	160784	Switch, Plunger
30	175566	Switch, Ign
33	140403	Key, Ignition
40	170238	Harness Ign.
42	154336	Cover, Terminal
45	122822X	Ammeter
50	174652	Switch, PTO
52	141940	Protection Wire Loop
79	163996	Bulbholder Asm Incandescent SV
81	109748X	Relay Asm.

**NOTE:** All component dimensions given in U.S. inches.  
1 inch = 25.4 mm.

# REPAIR PARTS

TRACTOR- -MODEL NO. 917. 251160

## CHASSIS AND ENCLOSURES



# REPAIR PARTS

TRACTOR- -MODEL NO. 917. 251160

## CHASSIS AND ENCLOSURES

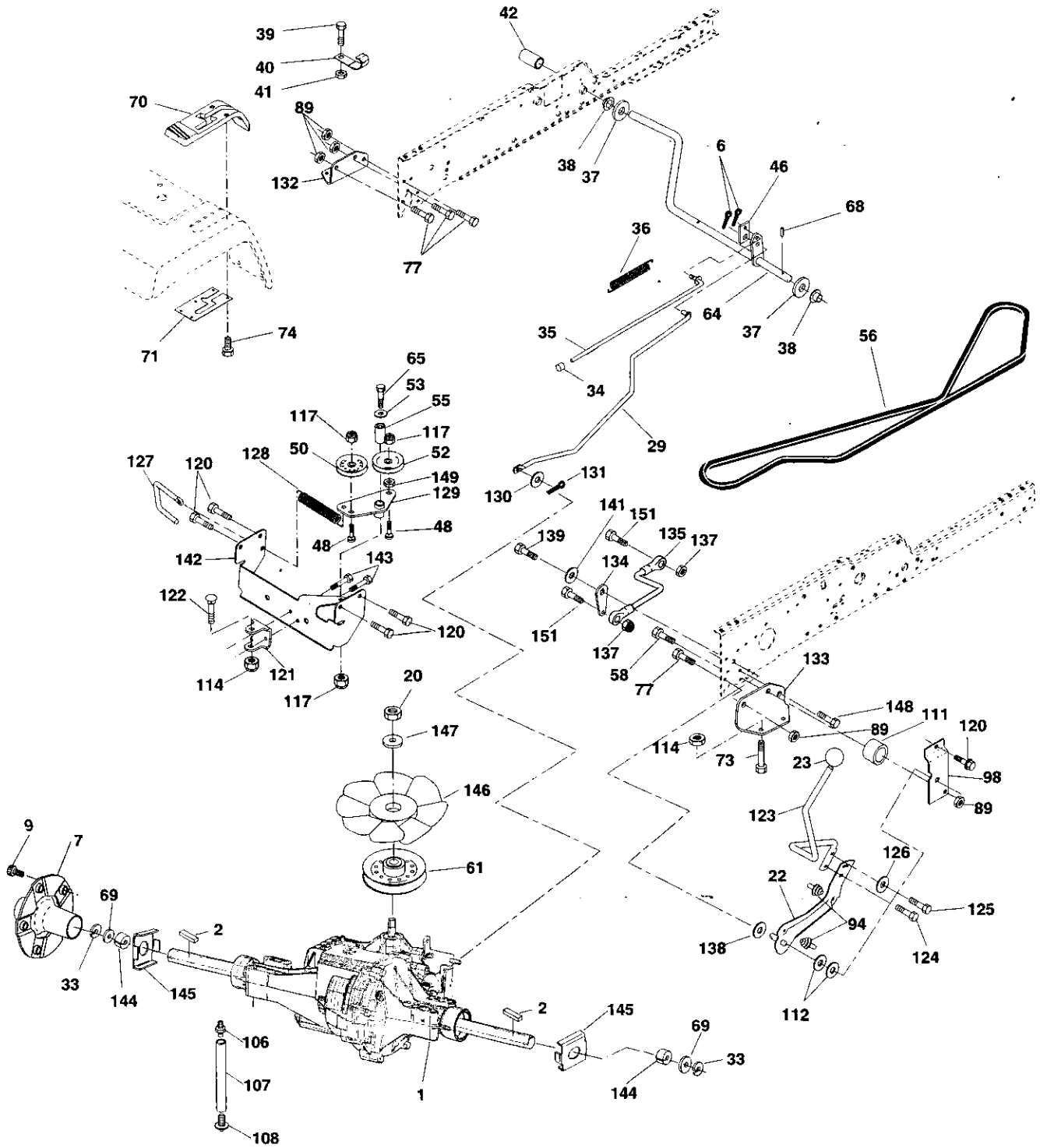
KEY NO.	PART NO.	DESCRIPTION	KEY NO.	PART NO.	DESCRIPTION
1	175465	Rail, Frame RH	45	176018	Bracket Asm., Susp Chas.Rh
2	175282	Drawbar, Gt	47	17490608	Screw Thdrol. 3/8-16 x 1/2
4	73680700	Nut, Lock Crown 7/16 Unc	50	175476	Bracket, Chassis Front
5	163976X428	Dash YTGT 2 Cyl	56	176016	Bracket Asm., Susp Chas. Lh
6	157882	Dash, Lower Vgt One Piece	58	175315	Bracket Asm., Fender
7	17720408	Screw, Thd Cut 1/4-20 x 1/2	68	17490508	Screw Thdrol. 5/16-18 x 1/2
8	145166	Support, Battery	84	142992	Stop, Over Center Mower
14	175259X558	Hood Asm.	86	74760716	Bolt Fin Hex 7/16-14 UNC x 1
16	121794X	Cover, Access	90	STD551237	Washer, Lock Ext. Tooth 3/8
17	17060612	Screw 3/8-16 x .75	91	175464	Rail, Frame Lh
18	174515X558	Grille	99	177143	Rod By Pass
19	19131312	Washer 13/32x13/16x12 Ga.	102	STD624003	Retainer, Spring
20	STD523710	Bolt, Fin Hex 3/8-16 x 1	122	161464	Screw Hex Wshd 8-18 x 7/8
21	STD541437	Nut Crownlock 3/8-16 Unc	130	164863	Screw Hwhd Hi-Lo #13-16x3/4
23	17060616	Screw 3/8-16 x1.5	138	163975X428	Cup Holder
24	145243X558	Footrest, RH	139	171873	Bolt Shoulder 5/16-18 TT
28	145244X558	Footrest, LH	140	163806	Magnet YTGT
30	145052	Saddle, Hydro	141	163805	Striker Plate YTGT
31	161419	Brace, Supt 1-pc VGT	142	161897	Bracket Dash Rh
32	161327	Bracket, Pivot Chassis Lh	144	161900	Bracket Dash Lh
33	161326	Bracket, Pivot Chassis Rh	148	164655	Extrusion Bumpers
34	177018	Plate Asm. Engine	150	161237	Duct Heat Hood
35	19111116	Washer 11/32x11/16x16 Ga.	152	177956	Shield Browning
36	STD522507	Bolt, Fin Hex 5/16-18 x 3/4	153	160568	Lens Asm Headlight Bar
37	167287X558	Fender Pnt	156	17060512	Screw 5/16-18 x 3/4
39	175278	Bracket, Axle Front	157	161840	Lens Bar
42	STD533710	Bolt, Carriage 3/8-16 x 1			
43	136939	Bracket, Spnsn Front Lh			
44	136940	Bracket, Spnsn Front Rh			

**NOTE:** All component dimensions given in U. S. inches  
1 inch = 25.4 mm

# REPAIR PARTS

TRACTOR- -MODEL NO. 917.251160

## DRIVE





# REPAIR PARTS

## TRACTOR- -MODEL NO. 917.251160

### DRIVE

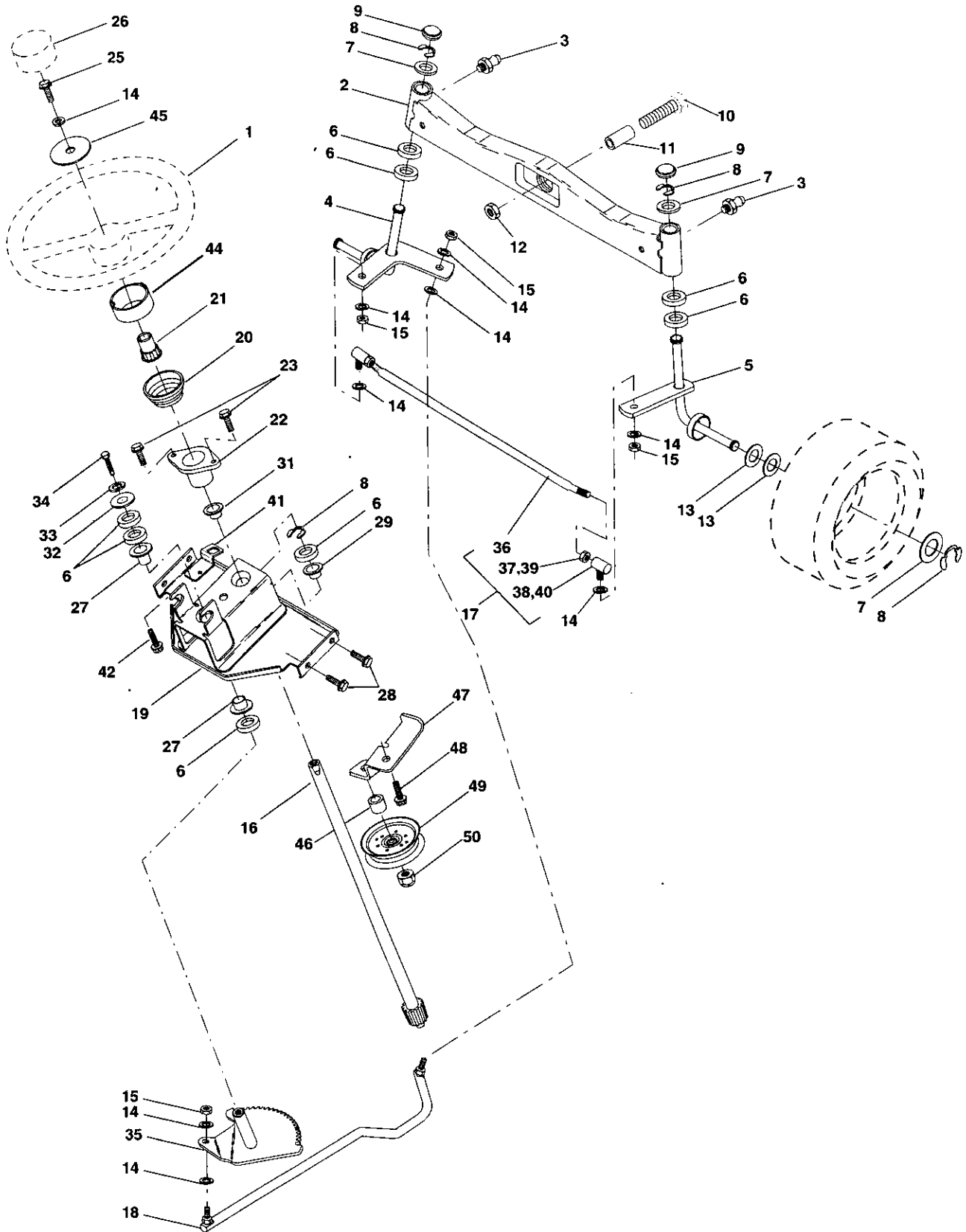
KEY NO.	PART NO.	DESCRIPTION	KEY NO.	PART NO.	DESCRIPTION
1	-----	Transaxle (See Breakdown)	106	142918	O-Ring Asm Hydro Gear 70110
2	9396E	Hydro Gear 331-3000	107	154739	Line Fuel Hydro 15" VGT
6	STD561210	Key 1/4 x 1/4 x 2	108	142917	Cap Asm Vent Hydro Gear 70109
7	140507	Pin, Cotter	111	156240	Spacer Shift Lever VGTH
7	140507	Wheel, Hub Assembly	112	156104	Washer Nylon High Temp
9	140080	Bolt, Hub	114	73800500	Nut Lock Hx w/Ins 5/16-18 Unc
20	73940800	Nut Hex Jam Toplock 1/2-20	117	73900600	Nut, Lock Flg. 3/8-16
22	178391	Arm Asm Shift	120	17060612	Screw 3/8-16 x .75
23	130564	Knob	121	175611	Bracket Strap Torque
29	176600	Brake, Rod	122	72110520	Bolt RDHDSQ 5/16-18 Unc x 2-1/2
33	12000053	Ring E	123	176602	Rod Shift
34	71673	Cap, Plunger	124	165492	Bolt Shoulder 5/16-18 x .561
35	137648	Rod, Parking Brake	125	166880	Screw 5/16-18 x 5/8
36	149412	Spring, Drive Ground	126	166002	Washer Srrtd 5/16 ID x 1.0 x .125
37	121749X	Washer 25/32x1-1/4x16 Ga.	127	177362	Link Control Clutch
38	150035	Nyliner	128	176624	Spring Drive Grnd
39	74321016	Screw, Fin. #10-24 x 1	129	178588	Bracket Asm. Idler Tensioning
40	5304J	Actuator, Interlock Switch	130	19131016	Washer 13/32 x 5/8 x 16 Ga.
41	73661000	Locknut #10-24	131	76020308	Pin Cotter 3/32 x 1/2
42	8883R	Cover, Pedal	132	175467	Bracket Mtg Hydro 3500 LH VGT
46	145170	Retainer, Spring	133	175468	Bracket Mtg Hydro 3500 RH VGT
48	7211614	Bolt, RDHD 3/8-16x1-3/4 Gr. 5	134	176623	Arm Shift Hydro 3500
50	173438	Pulley, Idler, Flat	135	177364	Link Asm Control Hydro 3500
52	127783	Pulley, Idler, Grooved	136	74780516	Bolt Fin Hex 5/16-18 Unc x 1.00
53	207J	Washer, Hardened	137	1685H	Nut Lock 5/16-18 NC Thd
55	105706X	Bearing, Idler	138	1370H	Washer Thrust 5/8 x 1.10 x 1/32
56	161597	V-Belt	139	74550412	Bolt 1/4-28 Unf Gr8 w/Patch
58	74760724	Bolt Fin Hex 7/16-14 x 1-1/2	140	10040400	Washer Lock Hvy Helical 1/4
61	143995	Pulley, Hydro	141	19091210	Washer 9/32 x 3/4 x 10 Ga.
64	176601	Shaft, Clutch/Brake Pedal	142	175469	Strap Torque HG-3500
65	67609	Bolt, Shoulder	143	17490508	Screw Thdrol 5/16-18 x 1/2
68	STD571812	Pin, Roll	144	160849	Washer Spacer Axle HG-3000
69	123800X	Washer	145	163168	Washer Axle Flange HG-3000
70	164892X428	Console Automatic YT/GT	146	140462	Fan 7" Hydro
71	151179	Plate Console Shift	147	141322	Washer
73	74490548	Bolt Hex Flghd 5/16-18x3 Gr5	148	17060616	Screw 3/8-16 x 1.0
74	142432	Screw Hex Wsh. Hi-Lo 1/4-12	149	19131410	Washer 13/32 x 7/8 x 10 Ga.
77	74760716	Bolt Fin Hex 7/16-14 x 1			
89	73680700	Nut Crownlock 7/16-14 Unc			
94	133835	Fastener Christmas Tree			
98	141004	Bracket Shift			

**NOTE:** All component dimensions given in U.S. inches  
1 inch = 25.4 mm

# REPAIR PARTS

TRACTOR- -MODEL NO. 917.251160

## STEERING ASSEMBLY



# REPAIR PARTS

## TRACTOR- -MODEL NO. 917.251160

### STEERING ASSEMBLY

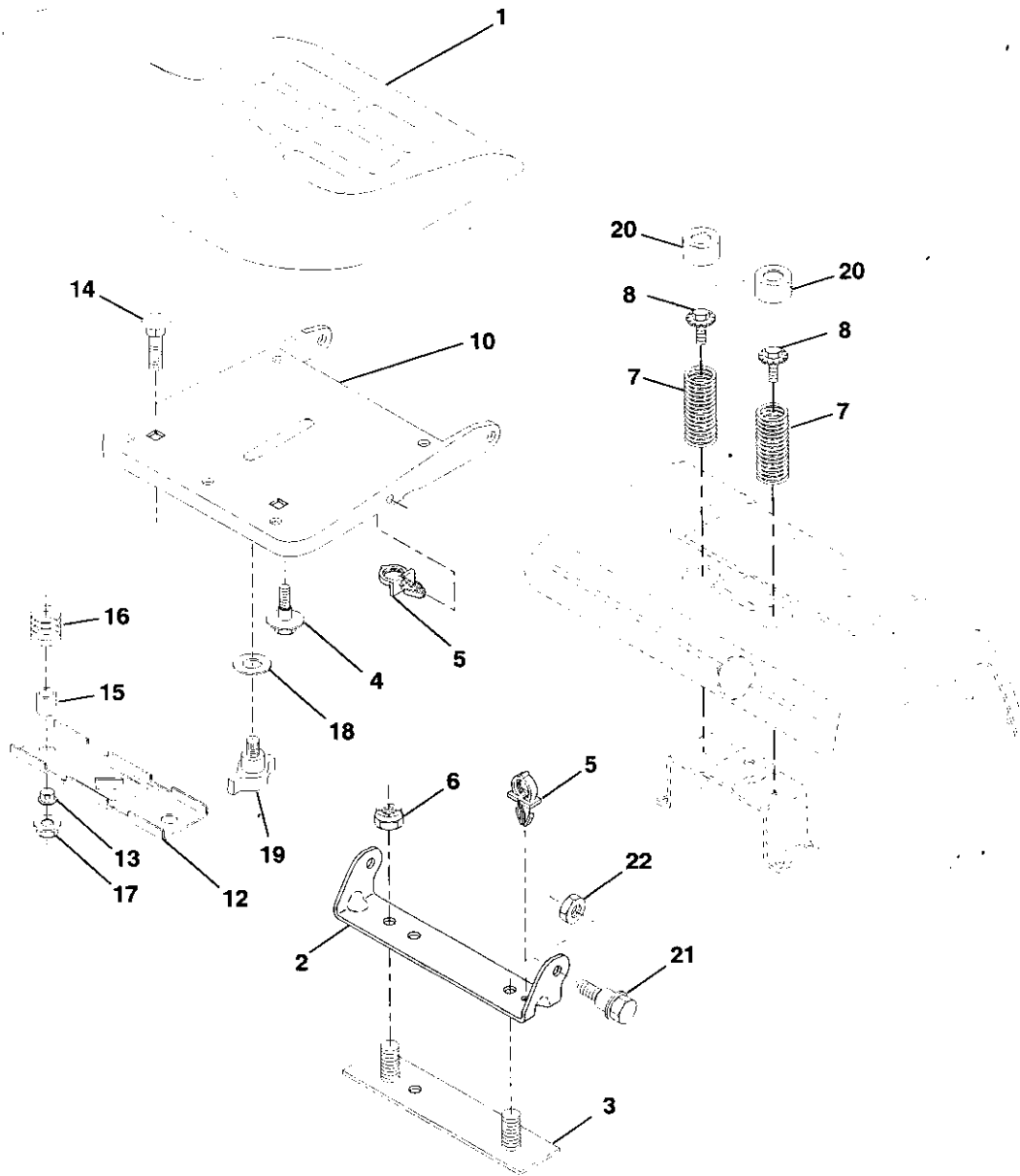
KEY NO.	PART NO.	DESCRIPTION
1	159944X428	Wheel, Steering
2	137094	Axle Asm., Front
3	6855M	Fitting, Grease
4	161849	Spindle Asm, LH
5	161848	Spindle Asm., RH
6	6266H	Bearing, Race Thrust Harden
7	121748X	Washer 25/32 x 1-5/8 x 16 Ga.
8	12000029	Ring, Klip #T5304-75
9	121232X	Cap, Spindle
10	74781044	Bolt, Fin Hex 5/8-11 x 2-3/4
11	136518	Spacer Bearing Axle Front
12	73901000	Nut, Lock Flange 5/8-11 Unc
13	121749X	Washer 25/32 x 1-1/4 x 16 Ga.
14	STD551137	Washer, Lock Hvy Hlcl Spr 3/8
15	STD541537	Nut, Lock Center 3/8-24 UNF
16	145103	Shaft Asm., Steering
17	137347	Rod Asm., Tie Ball J Ball Vgt (Inc. Key No. 36-40)
18	175572	Draglink
19	156011	Support Asm., Steering Vgt
20	163887X428	Boot, Steering
21	159945	Adapter, Wheel Steering
22	155105	Bushing, Strg. Blk
23	152927	Screw
25	74780616	Bolt, Fin Hex 3/8-16 x 1 Gr. 5
26	159946X428	Cap, Wheel Steering
27	3366R	Bearing, Col. Strg.
28	17000612	Screw, 3/8-16 x 3/4
29	104239X	Bearing, Flange
31	138136	Bushing, Nyliner Snap
32	19111610	Washer 11/32 x 1 x 10 Ga.
33	STD551131	Washer, Lock Hvy Hlcl Spr 5/16
34	74780512	Bolt Fin Hex 5/16-18 Unc x 3/4
35	138059	Gear, Sector Steering
36	176584	Tie Rod
37	73360600	Jam Nut RH Thread
38	109850X	Joint Asm. Ball RH Thread
39	73700600	Jam Nut LH Thread
40	109851X	Joint Asm. Ball LH Thread
41	155246	Bracket Switch Interlock VGT 97
42	17490508	Screw Thdrol 5/16-18 x 1/2 Tyt
44	160135X428	Extension, Steering
45	19132411	Washer 13/32 x 1-1/20 x 11 Ga.
46	19131410	Washer 13/32 x 7/8 x 10 Ga.
47	177863	Bracket Asm Idler Stationary
48	17060612	Screw 3/8-16 x .75
49	131494	Pulley Idler Flat
50	73900600	Nut Lock Flg. 3/8-16 Unc

**NOTE:** All component dimensions given in U. S. inches 1 inch = 25.4 mm

# REPAIR PARTS

TRACTOR- -MODEL NO. 917.251160

## SEAT ASSEMBLY



KEY NO.	PART NO.	DESCRIPTION
1	140124	Seat
2	140551	Bracket, Pivot Seat
3	140675	Strap, Fender
4	127018X	Bolt, Shoulder 5/16-18 x .62
5	145006	Clip, Push In, Hinged
6	STD541437	Nut, Crownlock 3/8-16 Unc
7	124181X	Spring, Seat Cprsn
8	171877	Bolt 5/16-18Uncx3/4 w/Sems
10	174894	Pan, Seat
12	121246X	Bracket, Mounting Switch
13	121248X	Bushing, Snap

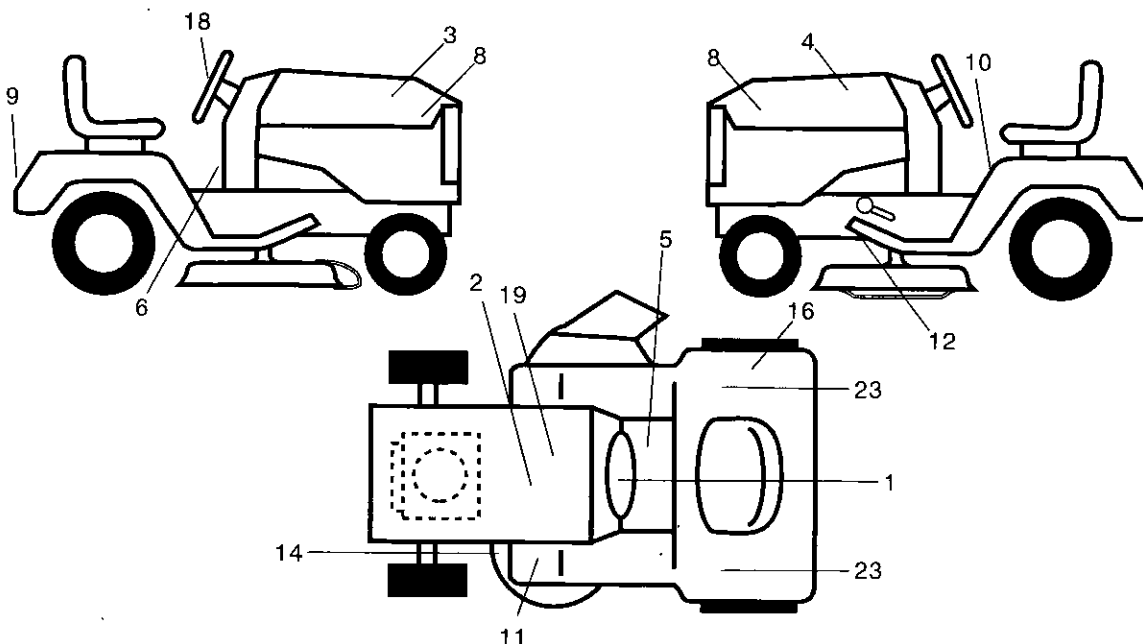
KEY NO.	PART NO.	DESCRIPTION
14	72050412	Bolt, Carriage 1/4-20 X 1-1/2
15	121249X	Spacer, Split
16	123740X	Spring, Cprsn
17	123976X	Nut, Lock 1/4 Lge Flg Gr. 5
18	19171912	Washer 17/32x1-3/16x12 Ga.
19	166369	Knob, Seat
20	124238X	Cap, Spring Seat
21	171852	Bolt, Shoulder 5/16-18
22	STD541431	Nut, Crownlock 5/16-18 Unc

**NOTE:** All component dimensions given in U.S. inches.  
1 inch = 25.4 mm

# REPAIR PARTS

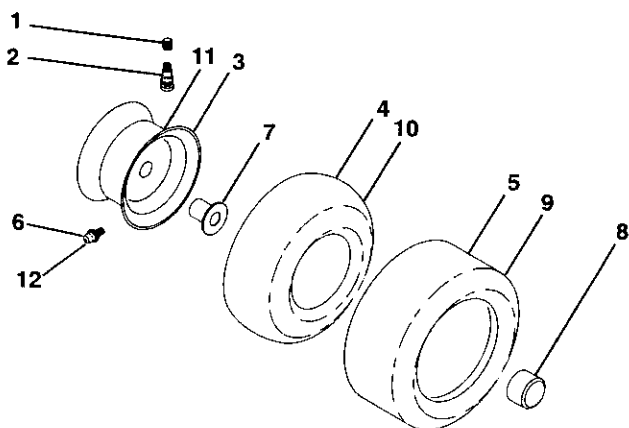
## TRACTOR- -MODEL NO. 917.251160

### DECALS



KEY NO.	PART NO.	DESCRIPTION	KEY NO.	PART NO.	DESCRIPTION
1	177375	Decal Dash	16	125027X	Decal 105 DBA
2	145005	Decal Battery DNGR/PSN ENG Asm.	18	164065	Decal Insert Strg
3	171702	Decal Hood RH Craftsman	19	138047	Decal Battery
4	171703	Decal Hood LH Craftsman	23	106202X	Reflectro, Taillight
5	140837	Decal Brake Parking Saddle	--	166960	Decal Bypass
6	164487	Decal Dash	--	162598	Decal Drawbar load limit
8	177415	Decal Hood Side Pnl	--	157199X428	Pad Footrest
9	163204	Decal, Fender Craftsman	--	138311	Decal Handle Lft Height Adjust (Lift Handle)
10	145498	Decal Read Owners Manual	--	178194	Manual Owners (Euro)
11	177873	Decal Clutch/Brake	--	178195	Manual Owners (Scan)
12	177554	Decal V-Belt Dr Sch	--	178366	Manual Parts
14	175291	Decal V-Belt Schem			

### WHEELS & TIRES



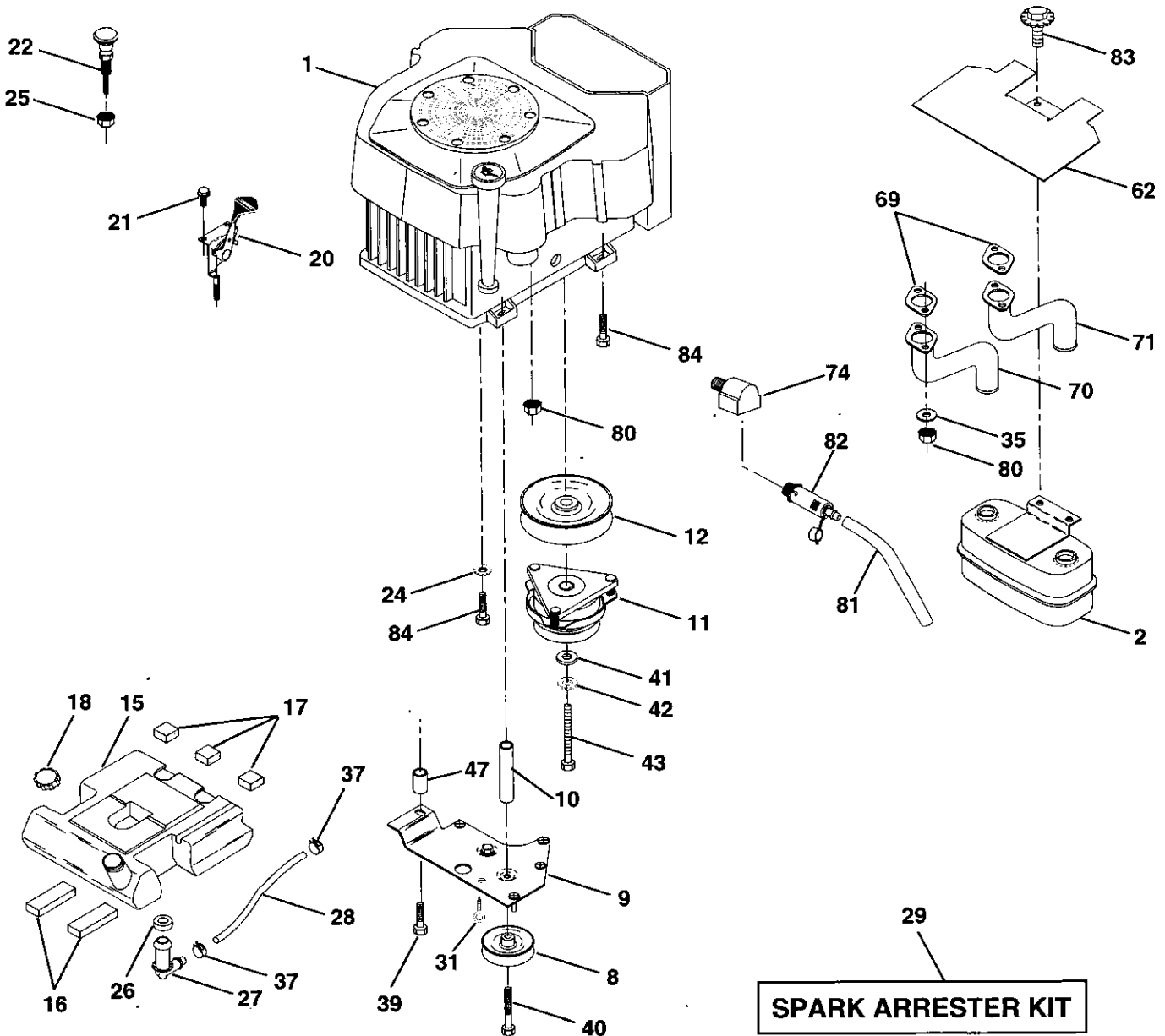
KEY NO.	PART NO.	DESCRIPTION
1	59192	Cap Valve Tire
2	65139	Stem Valve
3	106228X427	Rim Asm Front
4	8134H	Tube, Front (Service Item Only)
5	106230X	Tire, Front
6	278H	Fitting Grease (Front Wheel Only)
7	9040H	Bearing Flange (Front Wheel Only)
8	104757X428	Cap Axle (Front Wheel Only)
9	105588X	Tire Rear
10	7154J	Tube Rear (Service Item Only)
11	106277X427	Rim Asm Rear
12	6856M	Fitting Grease
--	144334	Sealant, Tire ( 10 oz. Tube)

**NOTE:** All component dimensions given in U.S. inches  
1 inch = 25.4 mm

# REPAIR PARTS

TRACTOR- -MODEL NO. 917.251160

## ENGINE



# REPAIR PARTS

## TRACTOR- -MODEL NO. 917.251160

### ENGINE

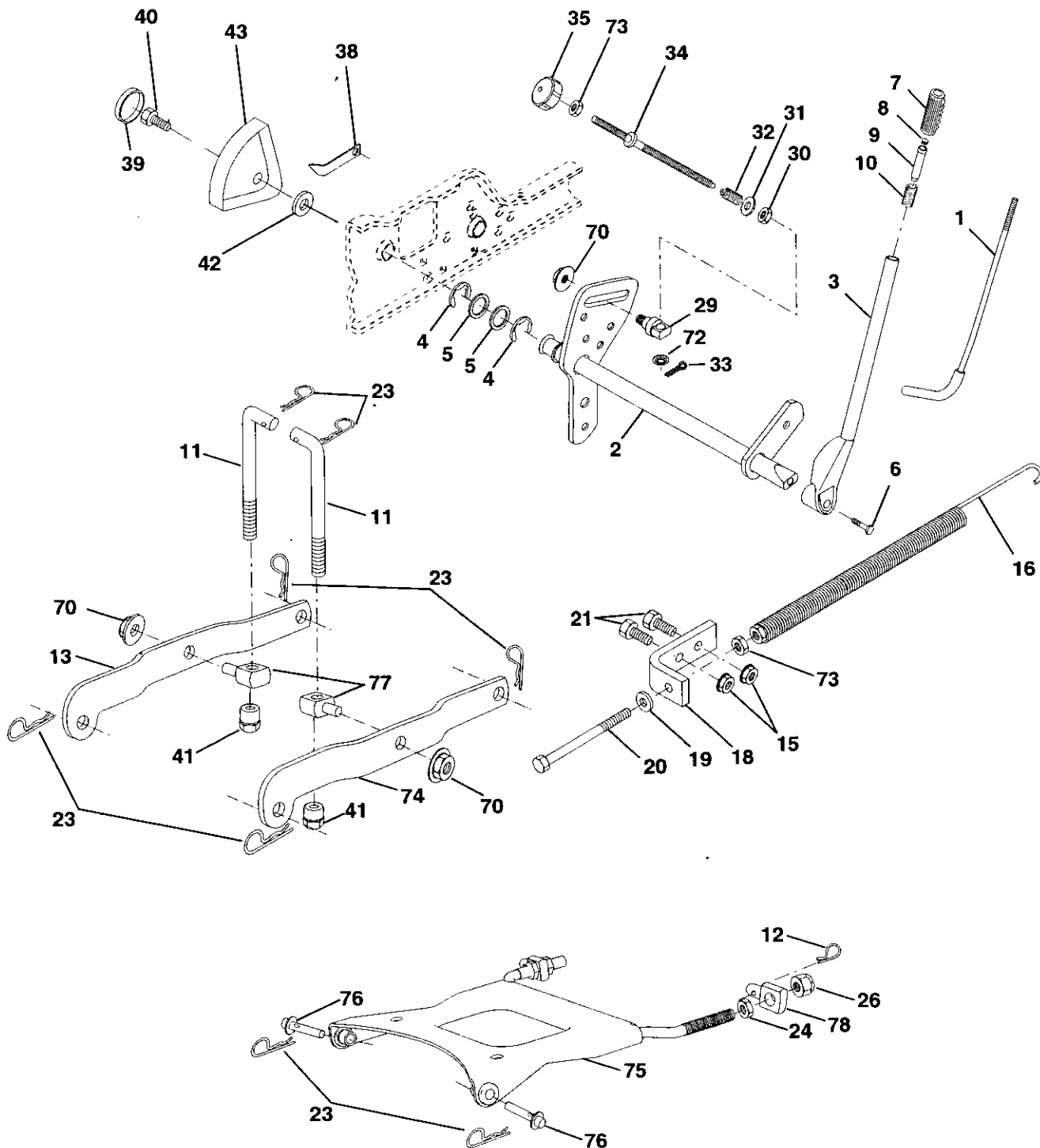
KEY NO.	PART NO.	DESCRIPTION
1	-----	Engine (See Breakdown) Kohler Model No. CV22-67555
2	149723	Muffler
8	121361X	Pulley V-Idler
9	177748	Keeper Asm. Belt Engine
10	175288	Bushing
11	174605	Clutch Electric
12	143996	Pulley Engine VGT Elect Clutch
15	151346	Tank Fuel Rear 3.50 Yt/Gt 96
16	109227X	Pad Spacer
17	106082X	Pad Spacer
18	161493	Cap Asm Fuel W/Gauge
20	177328X428	Control Throttle
21	164863	Screw hwhd Hi-Lo #13-16x3/4
22	175441X428	Control Choke
24	STD551237	Washer Ext Tooth 3/8
25	73920600	Nut Keps 3/8 - 24 UNF
26	3645J	Bushing
27	139277	Stem Tank Fuel
28	7834R	Fuel Line
29	137180	Spark Arrester Kit
35	10010500	Washer Split
37	123487X	Clamp Hose
39	17490636	Screw TT 3/8-16 x 2-1/4 UNC
40	17490664	Screw TT 3/8-16 x 4 UNC
41	126197X	Washer 1-1/2 OD x 15/32 ID x .250
42	STD551143	Washer Lock 7/16
43	173937	Bolt Hex 7/16-20 x 4 x Gr. 5-1.5
47	175287	Spacer Engine
62	146629	Shield Heat Muffler
69	24-041-02	Gasket
70	175545	Tube Exhaust LH
71	175546	Tube Exhaust RH
74	162295	Elbow Street Brass
80	M73030800	Nut Flange M8-1.25
81	148456	Tube Drain Oil Easy
82	148315	Plug Drain Oil Easy
83	171877	Bolt 5/16-18 Unc x 3/4
84	17060624	Screw Thdrol 3/8-16 x 1-1/2

**NOTE:** All component dimensions given in U.S.  
inches 1 inch = 25.4 mm

# REPAIR PARTS

TRACTOR- -MODEL NO. 917.251160

## MOWER LIFT





# REPAIR PARTS

## TRACTOR- -MODEL NO. 917.251160

### MOWER LIFT

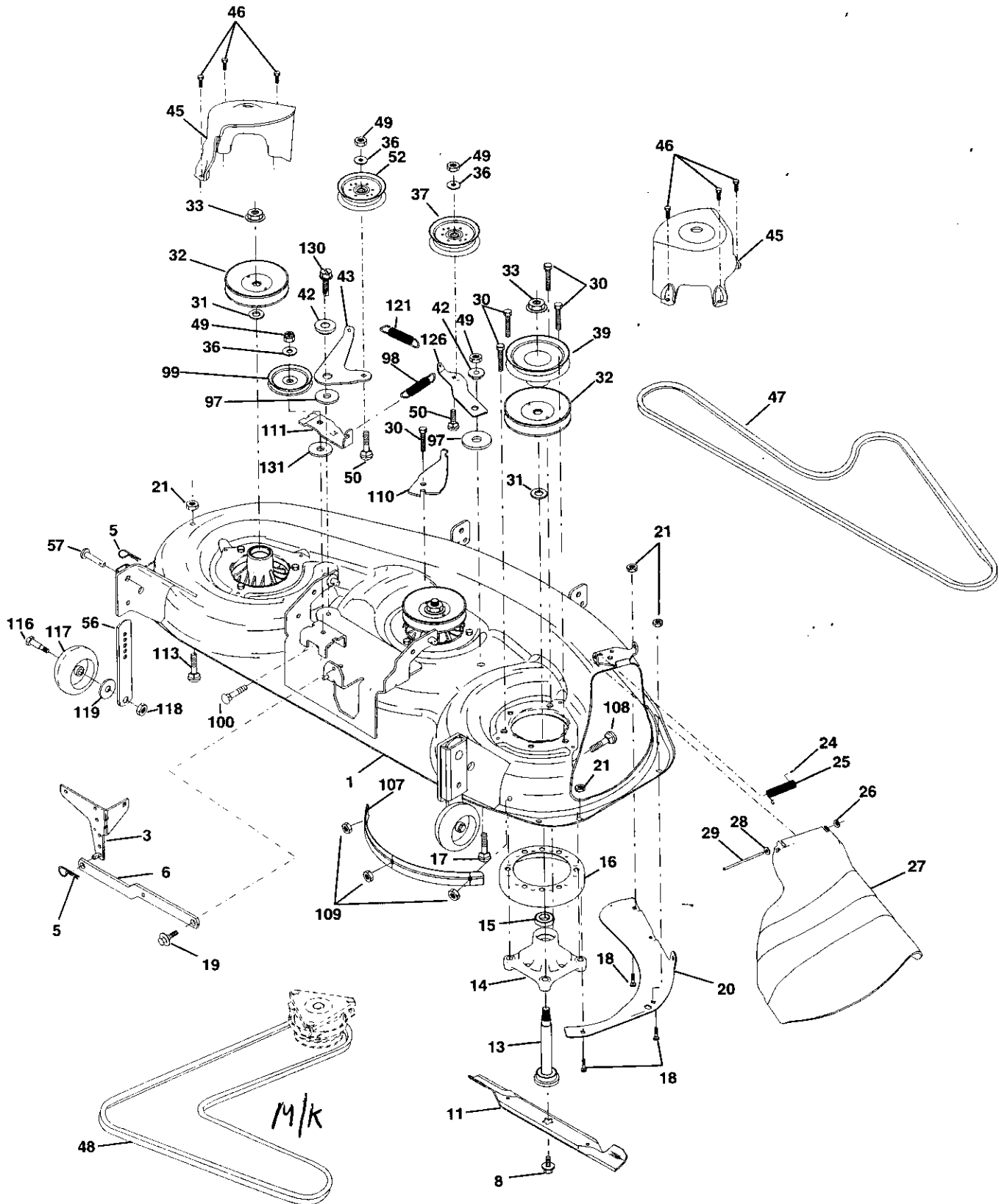
KEY NO.	PART NO.	DESCRIPTION
1	121006X	Rod Asm., Lever
2	177535	Shaft Asm., Lift Vgt
3	159189	Lever Asm., Lift Rh
4	12000022	E-Ring Truarc #5133-87
5	19292016	Washer 29/32 x 1-1/4 x 16 Ga.
6	71110624	Bolt, Fin Hex 3/8-16 x 1-1/2
7	175830	Grip, Handle Fluted
8	175831	Button, Plunger
9	122364X	Plunger, Button
10	2876H	Spring 2-1/8"
11	175375	Link Lift
12	163552	Retainer, Spring
13	175378	Arm Suspension Rear LH
15	STD541437	Nut, Crownlock 3/8-16 Unc
16	674A247	Spring Asm., Assist Lift
17	STD541237	Nut, Hex Jam 3/8-16 Unc
18	143363	Bracket, Spring Assist
19	STD551037	Washer 13/32 x 13/16 x 16 Ga.
20	5328J	Bolt, Adjust Spring Assist
21	STD523710	Bolt, Fin Hex 3/8-16 x 1
23	STD624008	Retainer, Spring
24	73350800	Nut, Jam Hex 1/2-13 Unc
26	73680800	Nut Crownlock 1/2-13 Unc
29	150233	Trunnion, Infin Height
30	110807X	Nut, Special
31	STD551037	Washer 13/32 x 5/8 x 16 Ga.
32	137150	Spring, Compression Inf Hgt
33	STD560907	Pin, Cotter 3/32 x 1/2
34	137167	Rod, Adj Lift
35	138057	Knob, Inf 3/8-16 Unc
38	155097	Pointer, Height Indicator
39	123935X	Plug, Hole
40	17060516	Screw 5/16-18 x 1
41	175994	Nut, Lift Link 7/16-20
42	19112410	Washer 11/32 x 1-1/2 x 10 Ga.
43	123934X	Scale, Indicator Height
70	145212	Nut Hex Flange Lock
72	110452X	Nut Push Phos & Oil
73	73350600	Nut Hex Jam 3/8-16 Unc
74	175802	Arm Suspension Rear RH
75	175805	Plate Asm Susp. Front VGT 48"
76	175560	Pin Flange
77	176205	Trunnion Susp Arm
78	175689	Trunnion Front Susp.

**NOTE:** All component dimensions given in U.S. inches  
1 inch = 25.4 mm

# REPAIR PARTS

## TRACTOR- -MODEL NO. 917.251160

### MOWER



# REPAIR PARTS

## TRACTOR- -MODEL NO. 917.251160

### MOWER

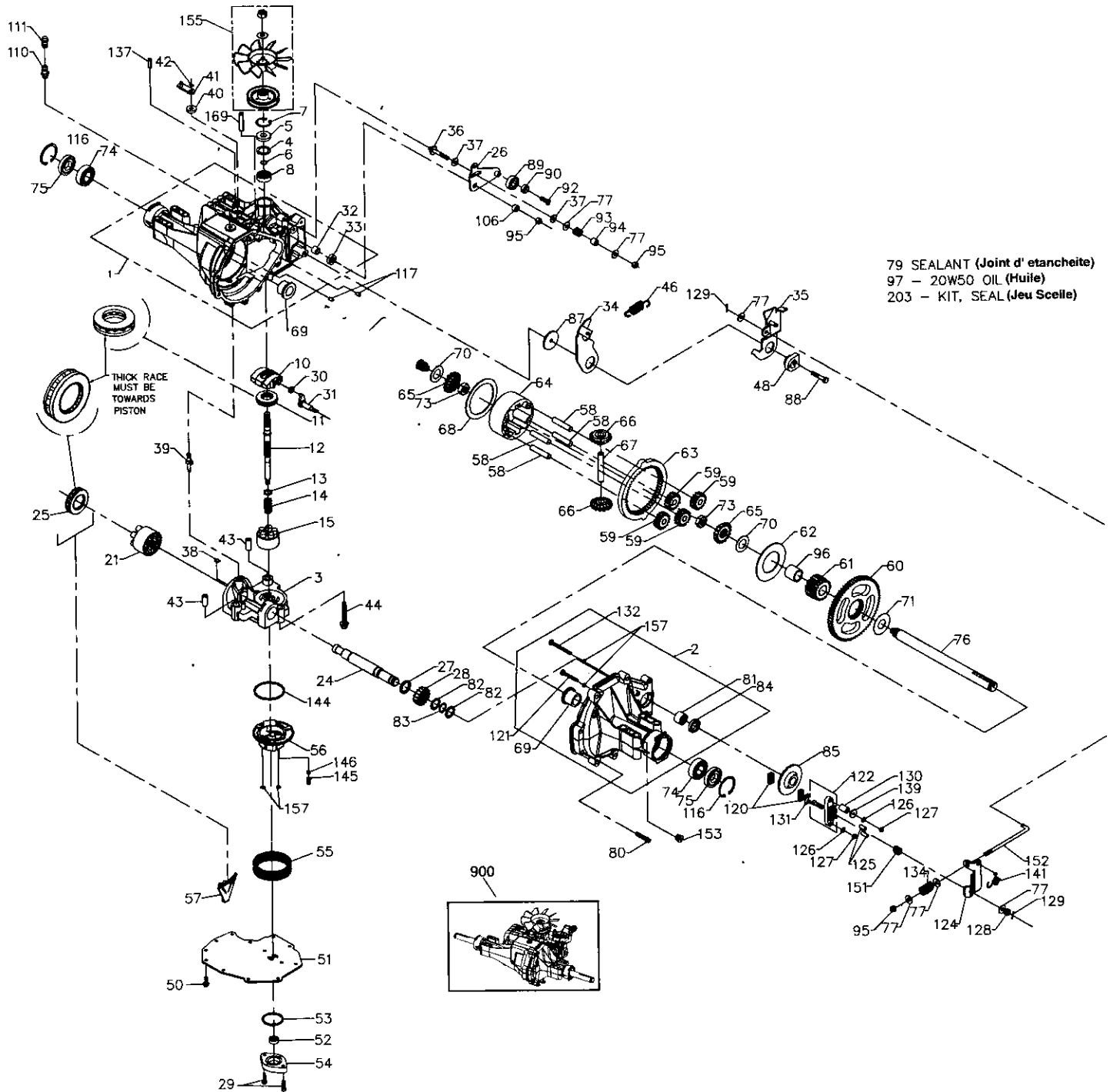
KEY NO.	PART NO.	DESCRIPTION	KEY NO.	PART NO.	DESCRIPTION
1	174377	Deck Weldment Mower 48	49	73680600	Nut, Crownlock 3/8-16 UNC
3	138017	Bracket Asm., Sway Bar	50	72110612	Bolt, Carr. 3/8-16 x 1-1/2 Gr. 5
5	4939M	Retainer Spring	52	175820	Pulley Idler Flat
6	130832	Arm, Suspension, Rear (Sway Bar)	56	155986X505	Bar Pnt Adj.
8	174365	Bolt 7/16 Asm. Blade	57	156941	Pin Head Rivet
11	173920	Blade	97	133943	Washer Hardened
13	175147	Shaft Asm. w/Lower Bearing	98	174370	Spring Primary Drive
14	174358	Housing Mandrel	99	175080	Pulley Idler"V"
15	110485X	Bearing, Ball, Mandrel	100	72110616	Bolt RDHD Sqnk 3/8-16 UNC x 2
16	174493	Stripper Mandrel Deck	107	175294	Baffle Vac Edge Mower
17	72110610	Bolt RDHD Sq Neck 3/8-16 x 1.25	108	72110406	Bolt Carr.
18	72140505	Bolt, Carriage 5/16-18 x 5/8	109	73680400	Nut Crownlock 1/4-20
19	132827	Bolt, Hex Hd, Shoulder 5/16-18	110	175016	Arm Spring Secondary
20	174378	Baffle, Vortex Mower	111	174610	Arm Spring Fixed Tension
21	73680500	Nut, Crownlock 5/16-18 UNC	113	72110508	Bolt Carr. 5/16-18 x 1
24	105304X	Cap, Sleeve	116	137644	Bolt, Shoulder
25	178102	Spring, Torsion	117	133957	Gauge Wheel, Wide
26	110452X	Nut, Push	118	73930600	Nut, Centerlock 3/8-16 UNC
27	174346X428	Deflector Shield	119	19121414	Washer 3/8 x 7/8 x 14 Ga.
28	19111016	Washer 11/32 x 5/8 x 16 Ga.	121	174371	Spring Secondary Drive
29	131491	Rod, Hinge	126	174372	Arm, Idler, Primary Deck
30	157722	Screw, Thdroll Washer Head	130	17060616	Screw 3/8-16 x 1.0
31	129963	Washer, Spacer Mower Vented	131	19131606	Washer 13/32 x 1/4 x 16 Ga.
32	177865	Pulley, Mandrel	--	175396	Deck Complete (Std. Deck- Order separately mulcher plate and gauge wheel components Key Nos. 101- 106 and 116-118)
33	178342	Nut, Flg. Top Lock Cntr. 9/16	--	174357	Mandrel Asm. Service (Includes Key Nos. 13-15)
36	19131316	Washer 13/32 x 13/16 x 16 Ga.			
37	173437	Pulley, Idler, Flat			
39	174375	Pulley, Idler, Driven			
42	165723	Spacer, Retainer			
43	174373	Arm, Idler Secondary			
45	174343	Cover, Mandrel Deck			
46	137729	Screw, Thdroll. 1/4-20 x 5/8			
47	174369	V-Belt, Mower, Secondary			
48	174368	V-Belt, Mower, Primary			

**NOTE:** All component dimensions given in U. S. inches 1 inch = 25.4 mm

# REPAIR PARTS

TRACTOR - - MODEL NUMBER 917.251160

TRANSAXLE - MODEL NUMBER 331-3000



# REPAIR PARTS

## TRACTOR - - MODEL NUMBER 917.251160

### TRANSAXLE - MODEL NUMBER 331-3000

KEY NO.	PART NO.	DESCRIPTION	KEY NO.	PART NO.	DESCRIPTION
1	161122	Main Housing Assembly	74	169535	Ball Brg 6205-1
2	178317	R.H. Housing Assembly	75	161157	Seal 1"Id X 2.0472" X 0.375"
3	169522	Center Section Assembly	76	161153	Shaft, Axle
4	161125	Spacer	77	142884	Washer
5	142932	Seal-Lip	79	178322	Gasket Material
6	142928	Wire Retaining Ring	80	161159	Torx Head Screw, 5/16-18
7	142933	Retaining Ring	81	161160	Needle Bearing (Sce1412)
8	142934	Ball Bearing	82	161161	Washer2
9	169523	Cradle Bearing	83	161162	Retaining Ring
10	169524	Variable Swashplate	84	161163	Lip Seal (0.875i.D.X1.3o.D.X0.25
11	150771	Thrust Bearing 30 X 52 X 13	85	161164	Brake Disk
12	161126	Input Shaft	87	178323	Washer
13	142978	Block Thrust Washer	88	178324	Screw 5/16-24
14	142977	Arm - Trunnion	89	178325	Bearing
15	196050	10cc Cylinder Block Assembly	90	178326	Spacer
21	169525	21cc Cylinder Block Assembly	91	169536	Oring, 0.070 X 0.239
24	161127	Output (Motor) Shaft	92	178327	Screw
25	169526	Thrust Bearing 42 X 68 X 16	93	142969	Spring, Friction Pack
26	161128	Control Arm	94	142980	Spacer, Friction Pack
27	161129	Spacer	95	169537	Hex Lock Nut 5/16-24
28	161130	16t Pinion Gear	96	169538	Sleeve Bearing
29	169527	Capscrew, M6 X 1-22	97	150798	Oil
30	142941	Slot Guide	106	161166	Spacer, Trunnion
31	161132	Trunnion Arm	108	178328	Plug
32	161133	Trunnion Bushing	110	142918	Fitting-O Ring Ass'y
33	142940	Lip Seal	111	142917	Cap Vent Ass'y
34	178318	Arm Return	116	169539	Retaining Ring
35	178319	Arm Actuating	117	161168	Std-Hdls Pin
36	169528	5/16-24 Stud	120	142883	Puck, Brake
37	142967	Puck, Friction	121	169540	Rib Neck Bolt, 2"
38	150787	Bypass Plate	122	178329	Brake Yoke
39	169529	Bypass Actuator	124	178330	Arm, Brake
40	142945	Lip Seal	125	142887	Pins, Brake
41	142952	Bypass Arm	126	161172	Lockwasher, 1/4"
42	142953	Retaining Ring	127	161173	Nut, 1/4-20
43	142965	Pin	128	142885	Nut, Castle
44	150797	Screw	129	142886	Cotter Pin
48	178320	Puck	130	161174	Spacer
50	178343	Screw-Self Tapping	131	142882	Puck Plate
51	169530	Lower Cover	132	169544	Rib Neck Bolt, 3" 1
52	169531	Gerotor Assembly	134	178331	Spring
53	144581	O-Ring	136	178332	Spring Extension
54	161139	Gerotor Cover	137	178333	Pin Spring
55	178321	Filter	138	178334	Bolt Self Tapping
56	169533	Charge Manifold	139	161176	Washer, 7/8od X 0.265id X 0.125 Thk
57	161142	Retainer, Motor Bearing			
58	161143	Pin, Carrier	141	178335	Spring Brake
59	161144	15t Planet Gear	144	169545	O Ring, 2.864 Id X 0.070 Thk
60	161145	7t Spur Gear	145	169546	Spring, Relief
61	161146	21t Sun Gear	146	169547	Ball, 7/16
62	161147	Planet Thrust Plate	151	161181	Comp. Spring, Brake Anti-Drag
63	161148	51t Ring Gear	152	178336	Brake Pull Rod
64	161149	Planetary Carrier	153	142914	Plug, Straight Thread
65	161150	Miter Gear, Diff. (Splined)	155	178337	Kit Fan
66	161151	Miter Gear, Diff.	157	169548	Screw O-Ring
67	161152	Shaft, Differential	180	169549	Manifold Kit
68	161153	Diff. Thrust Plate	203	178338	Kit Seal
69	169534	Flange Bearing	900	166773	Transaxle, complete
70	161154	Washer			
71	161155	Washer			
73	161156	Hex Jam Nut, 5/8-18			

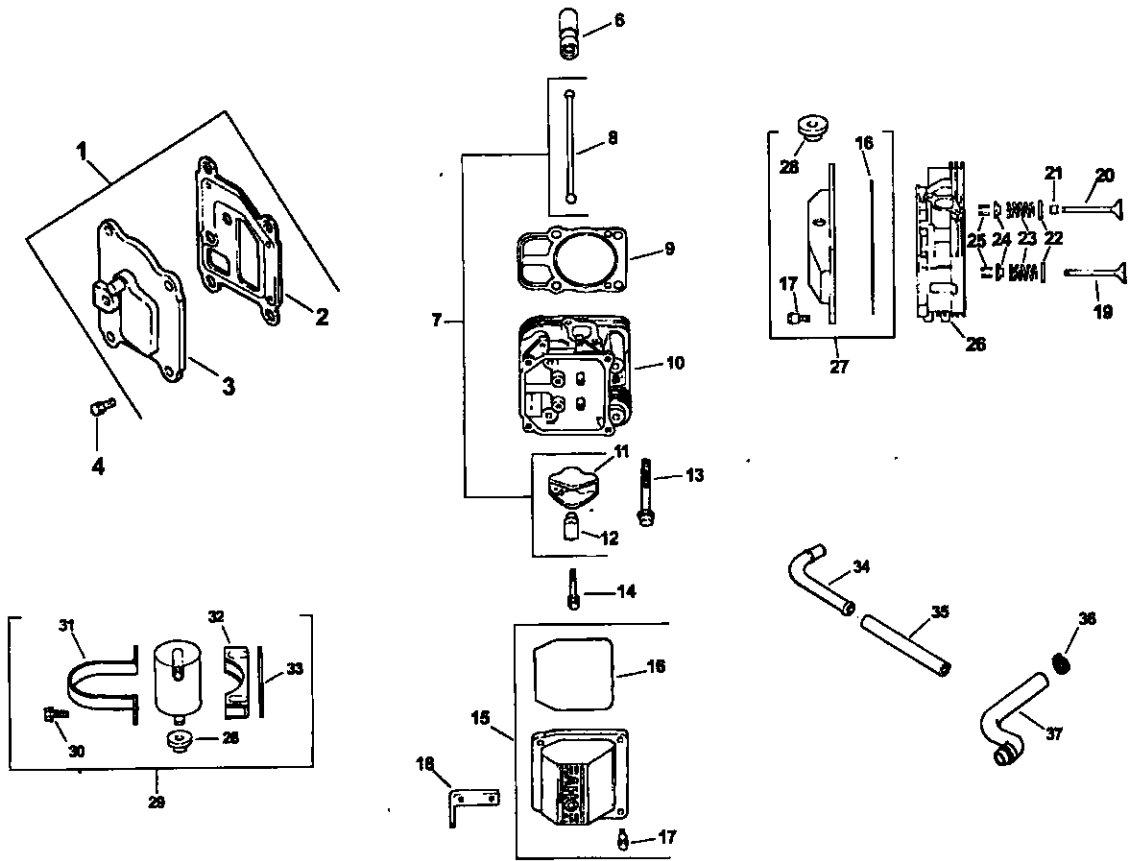
**NOTE:** All component dimensions given in U.S. inches  
1 inch = 25.4 mm

# REPAIR PARTS

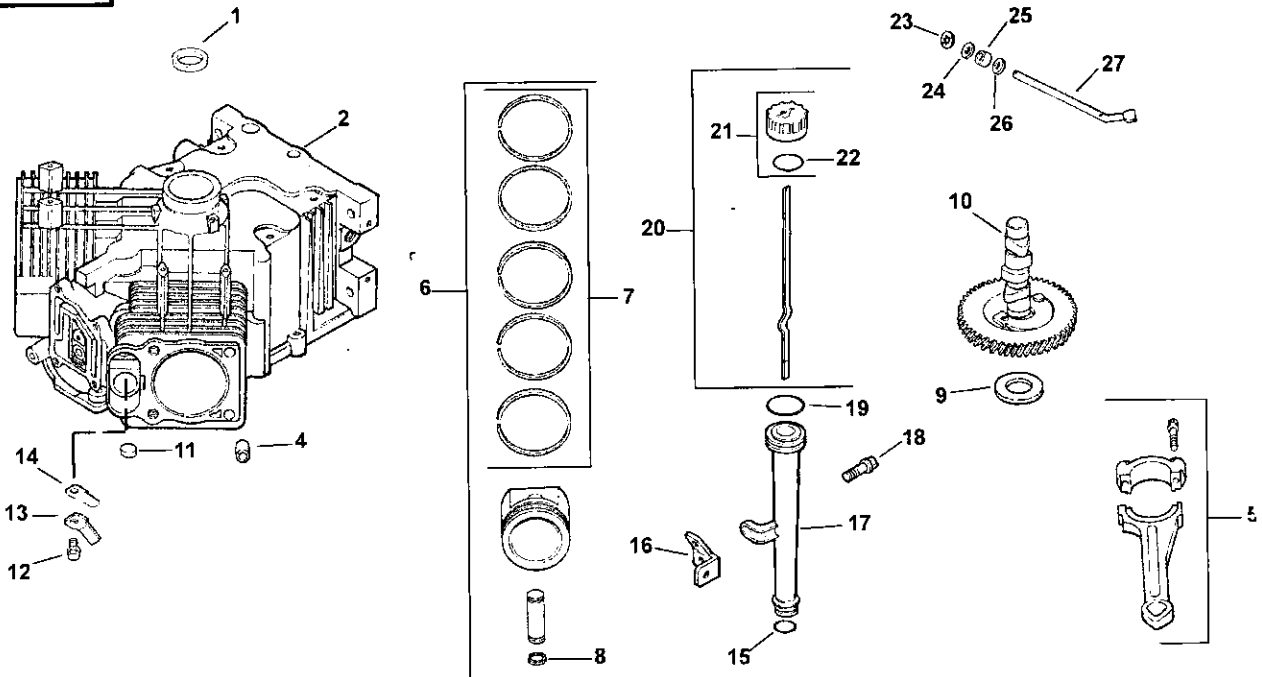
TRACTOR - - MODEL NUMBER 917.251160

KOHLER ENGINE - - MODEL NUMBER CV22, TYPE NUMBER 67555

## CYLINDER HEAD, VALVE AND BREATHER



## CRANKCASE



# REPAIR PARTS

## TRACTOR - - MODEL NUMBER 917.251160

### KOHLER ENGINE - - MODEL NUMBER CV22, TYPE NUMBER 67555

#### HEAD/VALVE/BREATHER

KEY NO.	PART NO.	DESCRIPTION
1	24 033 03-S	Kit, breather cover w/gasket (Includes 2, 3)
2	24 041 23-S	Gasket, breather
3	24 096 59-S	Cover, breather
4	M-645020-S	Screw, hex. flange M6x1.0x20(4)
6	25 351 01-S	Lifter, valve (4)
7	24 755 66-S	Kit, valve train (Includes 8, 11,12)
8	24 411 05-S	Rod, push (4)
9	24 041 08-S	Gasket, cylinder head (2)
10	24 318 64-S	Head assembly, #2 cylinder
11	25 186 01-S	Arm, rocker (4)
12	24 599 01-S	Pivot, rocker arm (4)
13	12 086 16-S	Screw, hex. flange M10x1.5x90 (8)
14	M-640034-S	Screw, hex. flange M6x1.0x34 (4)
15	24 755 74-S	Kit, valve cover - plain (Includes 16, 17)
16	24 153 16-S	O-Ring
17	24 086 32-S	Screw, shoulder (4)
18	24 445 01-S	Strap, lifting
19	24 016 01-S	Valve, exhaust (Std.) (2)
	24 016 02-S	Valve, exhaust (.25) (2)
20	24 017 01-S	Valve, intake (Std.) (2)
	24 017 02-S	Valve, intake (.25) (2)
21	24 032 05-S	Seal, valve stem (2)
22	235011-S	Retainer, spring (4)
23	24 089 02-S	Spring, valve (4)
24	12 173 01-S	Cap, valve spring (4)
25	12 755 03-S	Kit, retainer (4)
26	24 318 63-S	Head assembly, #1 cylinder
27	24 755 76-S	Kit, valve cover - breather (Includes 16, 17, 28)
28	25 313 02-S	Grommet, rubber (2)
29	24 755 57-S	Kit, breather separator (Includes 28, 30-33)
30	M-545016-S	Screw, hex. flange M5x0.8x16 (2)
31	24 445 02-S	Strap, breather
32	24 126 44-S	Bracket, breather separator
33	24 112 12-S	Spacer
34	24 294 06-S	Fitting
35	24 326 13-S	Hose, breather
36	25 237 14-S	Clamp, hose (2)
37	24 326 14-S	Hose, breather

#### CRANKCASE

KEY NO.	PART NO.	DESCRIPTION
1	24 032 01-S	Seal, oil front
2	-----	Crankcase (USE: Miniblock 24 78224)
3	24 294 13-S	Fitting
4	24 380 13-S	Pin, dowel locating (6)
5	24 067 13-S	Connecting Rod (Std.) (2)
	24 067 14-S	Connecting Rod (.25) (2)
6	24 874 17-S	Piston w/Ring Set (Std.) (2) (Includes 7, 8)
	24 874 18-S	Piston w/Ring Set (.25) (2)
	24 874 19-S	Piston w/Ring Set (.50) (2)
	24 874 14-S	Piston w/Ring Set (.08) (2)
7	24 108 11-S	Ring Set (Std.) (2)
	24 108 12-S	Ring Set (.25) (2)
	24 108 13-S	Ring Set (.50) (2)
8	24 018 01-S	Retainer, piston pin (2)
9	12 422 09-S	Shim, camshaft (A.R.)
	12 422 13-S	Shim, camshaft (A.R.)
	12 422 07-S	Shim, camshaft (A.R.)
	12 422 08-S	Shim, camshaft (A.R.)
	12 422 10-S	Shim, camshaft
	12 422 11-S	Shim, camshaft (A.R.)
	12 422 12-S	Shim, camshaft (A.R.)
10	24 012 10-S	Camshaft
11	52 139 09-S	Plug, cup
12	M-545010-S	Screw, hex. flange M5x0.8x10(2)
13	24 018 04-S	Retainer, reed (2)
14	24 402 05-S	Reed, breather (2)
15	12 153 01-S	O-Ring, lower oil fill tube
16	24 126 19-S	Bracket, oil fill tube
17	12 123 04-S	Tube, oil fill
18	M-545016-S	Screw, hex. flange M5x0.8x16
19	12 153 02-S	O-Ring, upper oil fill tube
20	24 038 04-S	Dipstick assembly (Includes 21, 22)
21	25 755 13-S	Kit, oil fill cap (Includes 22)
22	12 153 03-S	O-Ring, dipstick
23	24 018 09-S	Retainer, ring
24	M-931010-S	Washer, nylon (top)
25	28 032 09-S	Seal, governor cross shaft
26	24 468 15-S	Washer (bottom)
27	24 144 33-S	Shaft, governor cross

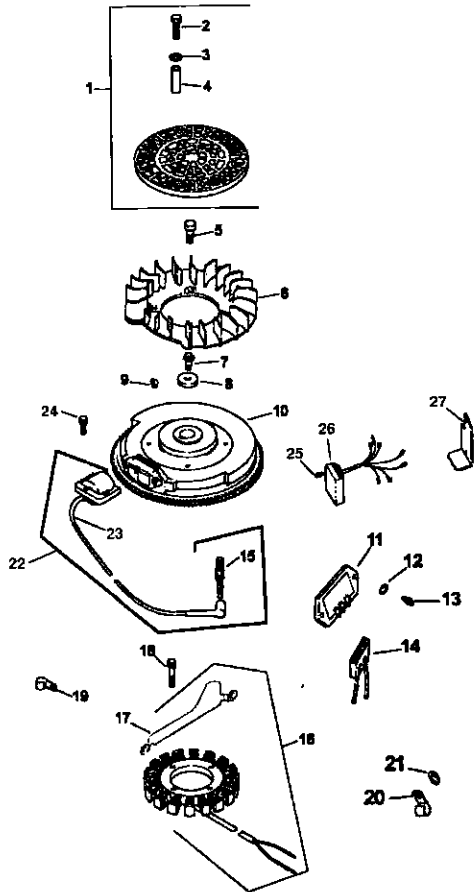
**NOTE:** All component dimensions given in U.S. inches  
1 inch = 25.4 mm

# REPAIR PARTS

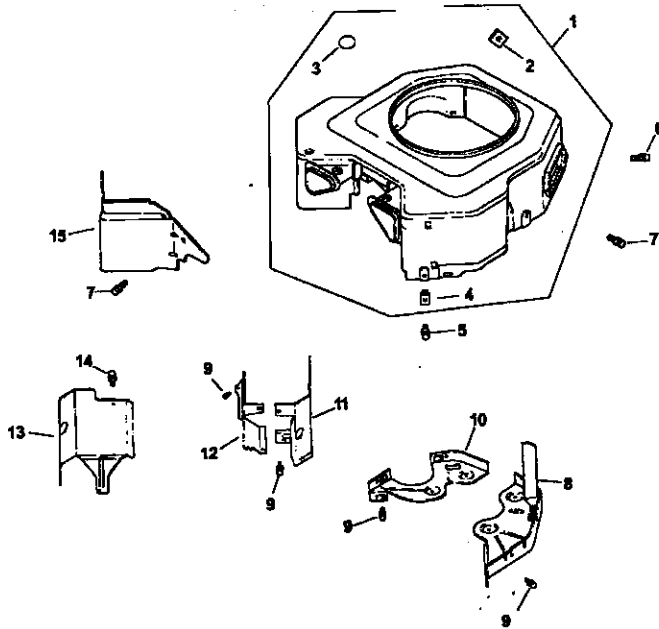
TRACTOR - - MODEL NUMBER 917.251160

KOHLER ENGINE - - MODEL NUMBER CV22, TYPE NUMBER 67555

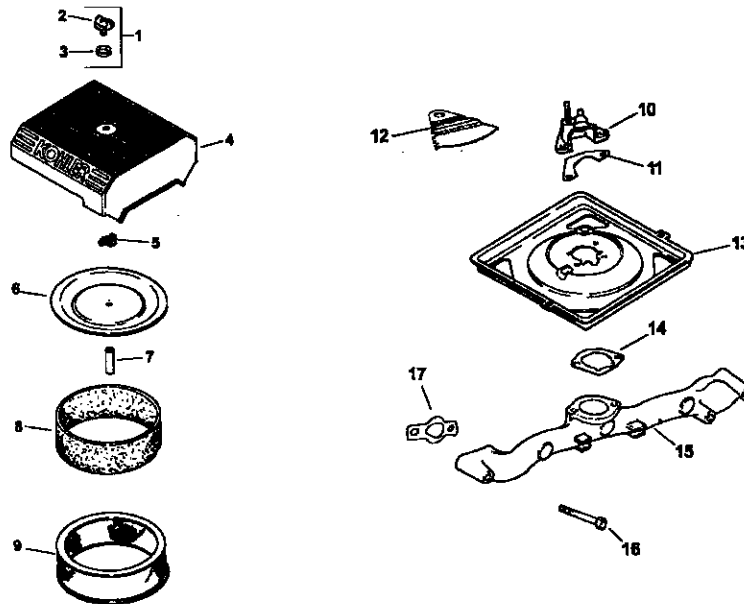
## IGNITION/ELECTRICAL



## BLOWER HOUSING AND BAFFLES



## AIR INTAKE





# REPAIR PARTS

## TRACTOR - - MODEL NUMBER 917.251160

### KOHLER ENGINE - - MODEL NUMBER CV22, TYPE NUMBER 67555

#### IGNITION/CHARGING

KEY NO.	PART NO.	DESCRIPTION
1	54 755 15-S	Kit, grass screen (Includes 2-4, and 24 113 18-S)
2	M-403025-S	Screw, hex. cap M4x0.7x25 (4)
3	X-25-92-S	Washer, plain 5/16" (4)
4	24 112 04-S	Spacer, grass screen (4)
5	25 086 47-S	Bolt, shoulder M6x1.0x16 (4)
6	24 157 03-S	Fan
7	12 086 14-S	Screw, hex. flange M10x1.5x46
8	12 468 03-S	Washer, plain 3/8"
9	X-42-15-S	Key
10	24 025 05-S	Flywheel
11	25 403 03-S	Rectifier-regulator
12	X-25-92-S	Washer, plain 3/16" (2)
13	24 086 18-S	Screw, phillips hd. 11-16x7/8 (2)
14	236602-S	Connector (3 contact)
15	28 132 02-S	Spark Plug (2)
16	54 755 09-S	Kit, 15 amp stator (Includes 17)
17	24 126 71-S	Bracket, stator wire
18	M-548025-S	Screw, hex. cap M5x0.8x25 (2)
19	48 154 02-S	Clip, cable
20	47 154 01-S	Clip, cable
21	X-25-63-S	Washer, plain 1/4"
22	24 707 01-S	Kit, ignition module (Includes 15, 23)
23	24 584 13-S	Module, ignition (2)
24	M-561025-S	Screw, thread forming M5x0.8x25 (4)
25	M-448010-S	Screw, hex. flange M4x0.7x10(2)
26	24 584 09-S	Module, speed advance
27	24 063 27-S	Baffle, heat shield
<b>NOT ILLUSTRATED</b>		
— —	24 176 81-S	Harness, wiring
— —	24 518 12-S	Lead, black (5" - 12 gauge -insulated grip barrel eyelets)
— —	X-22-11-S	Washer, lock 1/4"
— —	24 113 18-S	Decal, grass screen
— —	25 454 03-S	Tie (3)

#### BLOWER HOUSING & BAFFLES

KEY NO.	PART NO.	DESCRIPTION
1	24 027 20-S	Housing, blower (Includes 2-4)
2	24 100 01-S	Nut, plastic (3)
3	25 139 16-S	Plug, button
4	24 100 02-S	Nut, plastic (2)
5	M-545020-S	Screw, hex. flange M5x0.8x20(4)
6	M-551016-S	Screw, hex. flange M5x0.8x16
7	M-545016-S	Screw, hex. flange M5x0.8x16(3)
8	24 146 16-S	Plate, backing - # 2 side
9	M-645016-S	Screw, hex. flange M6x1.0x16(6)
10	24 146 20-S	Plate, backing - # 1 side
11	24 063 40-S	Baffle, cylinder barrel - # 2 side
12	24 063 23-S	Baffle, valley - #1 side
13	24 063 45-S	Baffle, cylinder barrel-# 1 side
14	M-545010-S	Screw, hex. flange M5x0.8x10(2)
15	24 063 14-S	Baffle, valley - #2 side
<b>NOT ILLUSTRATED</b>		
— —	24 113 13-S	Decal, 22 HP

#### AIR INTAKE/FILTRATION

KEY NO.	PART NO.	DESCRIPTION
1	54 755 01-S	Kit, knob with seal (Includes 2,3)
2	25 341 03-S	Knob, cover
3	24 153 20-S	O-Ring
4	24 096 67-S	Cover, air cleaner
5	12 100 01-S	Wing Nut
6	24 096 01-S	Cover, inner air cleaner
7	24 032 03-S	Seal, breather
8	24 083 02-S	Precleaner, element
9	47 083 03-S	Element, air cleaner
10	24 109 10-S	Cup, fuel spitback w/stud
11	24 041 13-S	Gasket, fuel spitback cup
12	24 063 51-S	Baffle, fuel spitback
13	24 094 19-S	Base, air cleaner
14	24 041 14-S	Gasket, air cleaner base
15	24 164 06-S	Manifold, intake
16	M-651055-S	Screw, hex. flange M6x1.0x55(4)
17	24 041 01-S	Gasket, intake manifold (2)

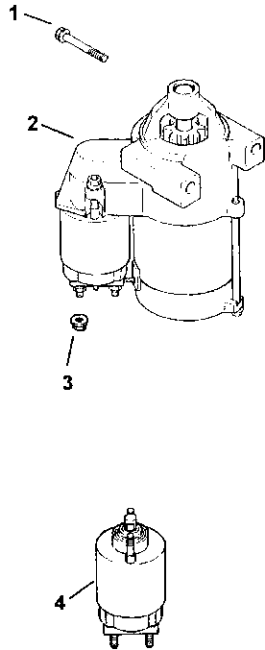
**NOTE:** All component dimensions given in U.S. inches  
1 inch = 25.4 mm

# REPAIR PARTS

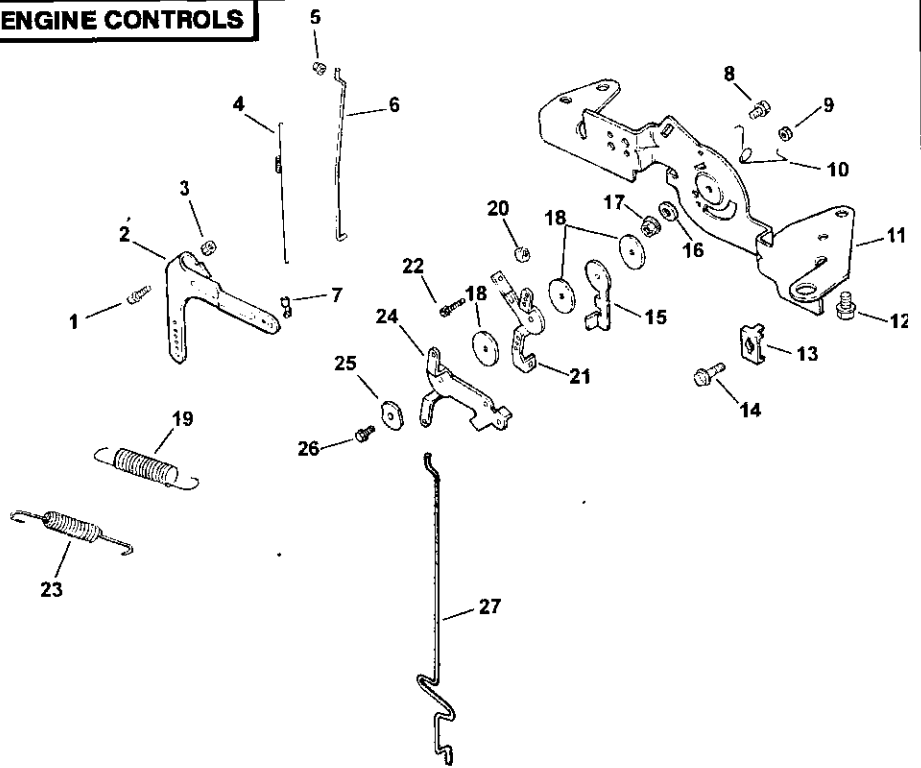
TRACTOR - - MODEL NUMBER 917.251160

KOHLER ENGINE - - MODEL NUMBER CV22, TYPE NUMBER 67555

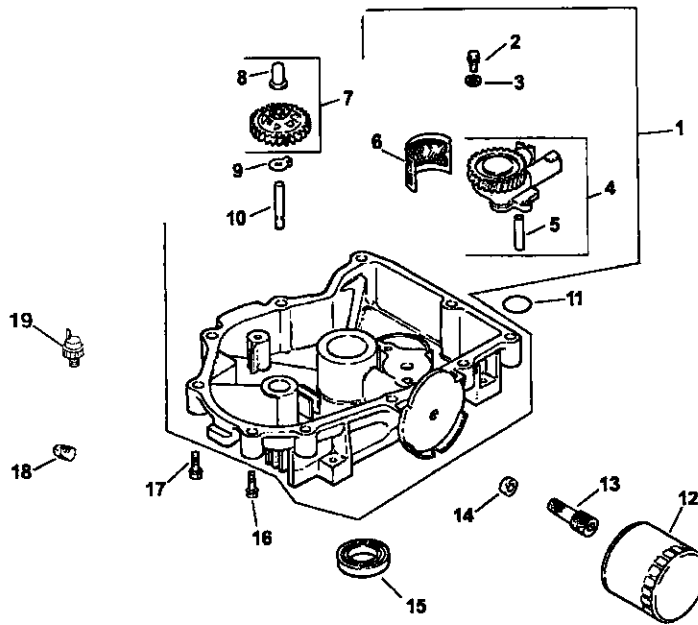
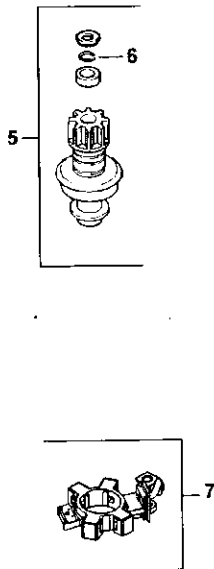
## STARTING SYSTEM



## ENGINE CONTROLS



## OIL PAN / LUBRICATION



# REPAIR PARTS

TRACTOR - - MODEL NUMBER 917.251160

KOHLER ENGINE - - MODEL NUMBER CV22, TYPE NUMBER 67555

## STARTING SYSTEM

KEY NO.	PART NO.	DESCRIPTION
1	M-839080-S	Screw, hex. flange M8x1.25x80 (2)
2	25 098 08-S	Starter, solenoid shift (Includes 4-6)
3	M-841080-S	Nut, hex. flange M8x1.25
4	25 435 04-S	Kit, solenoid
5	25 755 33-S	Kit, pinion drive (Includes 6)
6	25 141 05-S	Ring
7	25 221 01-S	Kit, brush

## ENGINE CONTROLS

KEY NO.	PART NO.	DESCRIPTION
1	24 211 03-S	Bolt, round head square neck
2	24 090 33-S	Lever, governor
3	M-641060-S	Nut, hex. flange M6x1.0
4	24 089 01-S	Spring, linkage
5	25 158 08-S	Bushing, linkage retaining
6	24 079 04-S	Linkage, throttle
7	25 158 11-S	Bushing, throttle linkage (2)
8	M-545016-S	Screw, hex. flange M5x0.8x16
9	M-547050-S	Nut, hex. M5x0.8
10	24 089 03-S	Spring, choke return
11	24 126 56-S	Bracket, control
12	M-645016-S	Screw, hex. flange M6x1.0x16(4)
13	12 237 01-S	Clamp, cable (2)
14	24 086 43-S	Screw, thread forming (2)
15	24 090 07-S	Lever, throttle actuator
16	X-20-1-S	Washer, lock
17	M-541050-S	Nut, hex. flange
18	24 468 01-S	Washer, plain 5 mm (3)
19	24 089 45-S	Spring, governor
20	M-446030-S	Nut, hex. M4x0.7
21	24 090 13-S	Lever, throttle control (2)
22	M-403025-S	Screw, hex. cap M4x0.7x25
23	24 089 51-S	Spring, throttle limiter
24	24 090 05-S	Lever, choke
25	41 468 03-S	Washer, spring 1/4"
26	M-545020-S	Screw, hex. flange M5x0.8x20
27	24 079 05-S	Linkage, choke

## OIL PAN/LUBRICATION

KEY NO.	PART NO.	DESCRIPTION
1	24 199 07-S	Pan, oil assembly (Includes 2-10)
2	M-645025-S	Screw, hex. flange M6x1.0x25 (2)
3	M-631005-S	Washer, plain 6 mm (2)
4	24 393 08-S	Oil pump assembly (Includes 5)
5	24 123 05-S	Tube, oil pickup
6	24 162 26-S	Screen, oil
7	24 043 12-S	Kit, governor gear w/pin (Includes 8)
8	12 380 01-S	Pin, governor regulating
9	52 448 02-S	Tab, locking
10	12 144 02-S	Shaft, governor gear
11	24 153 08-S	O-Ring
12	12 050 01-S	Filter, oil
13	24 136 01-S	Nipple, oil filter
14	25 139 62-S	Plug, hex. ctsk. 3/8"
15	52 032 08-S	Seal, oil (PTO end)
16	24 086 17-S	Screw, hex. flange M8x1.25x45
17	24 086 16-S	Screw, hex. flange M8x1.25x45 (9)
18	25 139 57-S	Plug, sq. hd. solid 3/8" N.P.T.F.
19	25 099 24-S	Switch, pressure
<b>NOT ILLUSTRATED</b>		
— —	25 113 05-S	Decal, oil sentry

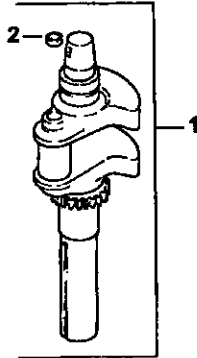
**NOTE:** All component dimensions given in U.S. inches  
1 inch = 25.4 mm

# REPAIR PARTS

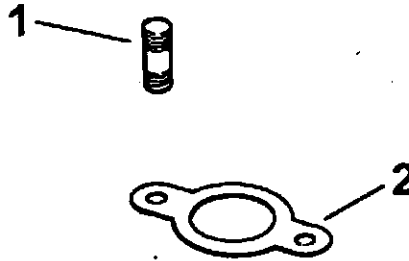
TRACTOR - - MODEL NUMBER 917.251160

KOHLER ENGINE - - MODEL NUMBER CV22, TYPE NUMBER 67555

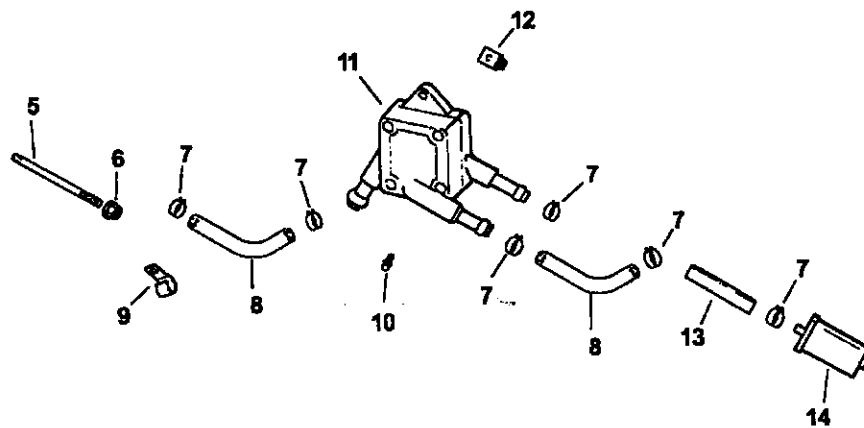
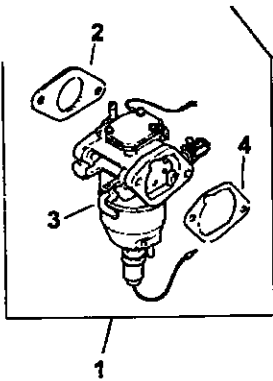
## CRANKSHAFT



## EXHAUST



## FUEL SYSTEM



# REPAIR PARTS

## TRACTOR - - MODEL NUMBER 917.251160

### KOHLER ENGINE - - MODEL NUMBER CV22, TYPE NUMBER 67555

#### CRANKSHAFT

KEY NO.	PART NO.	DESCRIPTION
1	24 014 72-S	Crankshaft (Includes 2)
2	52 139 09-S	Plug, cup

#### EXHAUST

KEY NO.	PART NO.	DESCRIPTION
1	25 072 04-S	Stud, M8x1.25x33 (4)
2	24 041 02-S	Gasket, exhaust (2)

#### NOT ILLUSTRATED

PA-67555	Replacement Engine
24 782 24	Miniblock
24 755 107-S	Gasket Set

#### FUEL SYSTEM

KEY NO.	PART NO.	DESCRIPTION
1	24 853 25-S	Kit, carburetor w/gaskets (Includes 2-4)
2	24 041 15-S	Gasket, carburetor
3	24 053 25	Carburetor assembly (For information only not available separately) (Service with: 24 757 18-S, 24 757 19-S, 24 757 20-S, 24 757 22-S)
4	24 041 14-S	Gasket, air cleaner base
5	M-629095-S	Stud, M6x1.0x95 (2)
6	M-641060-S	Nut, hex. flange M6x1.0 (2)
7	25 237 14-S	Clamp, hose (6)
8	24 353 03-S	Line, fuel 10-5/8" (2)
9	47 154 01-S	Clip, cable
10	24 086 12-S	Screw, hex. cap M6x1.7x18 (2)
11	24 393 16-S	Pump, fuel - pulse
12	24 100 01-S	Nut, plastic (2)
13	15 353 04-S	Line, fuel 11-1/2"
14	25 050 03-S	Filter, fuel

#### NOT ILLUSTRATED

— —	24 757 18-S	Kit, overhaul w/gaskets
— —	24 757 19-S	Kit, choke repair w/gaskets
— —	24 757 20-S	Kit, gasket
— —	24 757 22-S	Kit, solenoid replacement w/gaskets

**NOTE:** All component dimensions given in U.S. inches  
1 inch = 25.4 mm

