



REPAIR PARTS MANUAL
MODEL NO. 251360
Lawn Tractor

CRAFTSMAN®

HOW TO USE THIS MANUAL

This manual is designed to provide the customer with a means to identify the parts on his/her tractor when ordering repair parts. The illustrations may or may not represent the actual assemblies; therefore, it is not recommended to use this manual as a guide to assemble or disassemble the tractor. Some hardware and parts are drawn larger in order to more readily identify them.

Each tractor has its own model number.

The model number for your tractor can be found on the fender under the seat.

When ordering parts, always give the following information:

- Product - "Tractor"
- Model Number - "251360"
- Part Number
- Part Description

TABLE OF CONTENTS

| | |
|-----------------------|-------|
| CHASSIS | 6-7 |
| DECALS | 13 |
| DRIVE | 8-9 |
| ELECTRICAL..... | 4-5 |
| ENGINE | 14-15 |
| MOWER LIFT LEVER..... | 16-17 |
| MOWER DECK | 18-19 |
| SEAT | 12 |
| STEERING WHEEL | 10-11 |
| TRANSAXLE | 20-21 |

LIMITED ONE YEAR WARRANTY ON CRAFTSMAN RIDING EQUIPMENT

For one (1) year from the date of purchase, if this Craftsman Riding Equipment is maintained, lubricated and tuned up according to the instructions in the owner's manual, Sears will repair or replace, free of charge, any parts found to be defective in material or workmanship.

This Warranty does not cover:

- Expendable items which become worn during normal use, such as blades, spark plugs, air cleaners, belts, etc.
- Tire replacement or repair caused by punctures from outside objects, such as nails, thorns, stumps, or glass.
- Repairs necessary because of operator abuse, negligence, improper storage or accident or the failure to maintain the equipment according to the instructions contained in the owner's manual.
- Riding equipment used for commercial or rental purposes.

LIMITED 90 DAY WARRANTY ON BATTERY

For ninety (90) days from date of purchase, if any battery included with this riding equipment proves defective in material or workmanship and our testing determines the battery will not hold a charge, Sears will replace the battery at no charge.

IN-HOME WARRANTY SERVICE ON YOUR CRAFTSMAN RIDING EQUIPMENT IS AVAILABLE AT NO-CHARGE FOR 30 DAYS FROM THE DATE OF PURCHASE. PLEASE CONTACT YOUR NEAREST SERVICE CENTER. AFTER 30 DAYS FROM THE DATE OF PURCHASE, WARRANTY SERVICE IS AVAILABLE BY TAKING YOUR CRAFTSMAN RIDING EQUIPMENT TO YOUR NEAREST SEARS SERVICE CENTER. (IN-HOME WARRANTY SERVICE WILL STILL BE AVAILABLE AFTER 30 DAYS FROM THE DATE OF PURCHASE BUT A STANDARD TRIP CHARGE WILL APPLY.) THIS WARRANTY APPLIES ONLY WHILE THIS PRODUCT IS IN THE UNITED STATES.

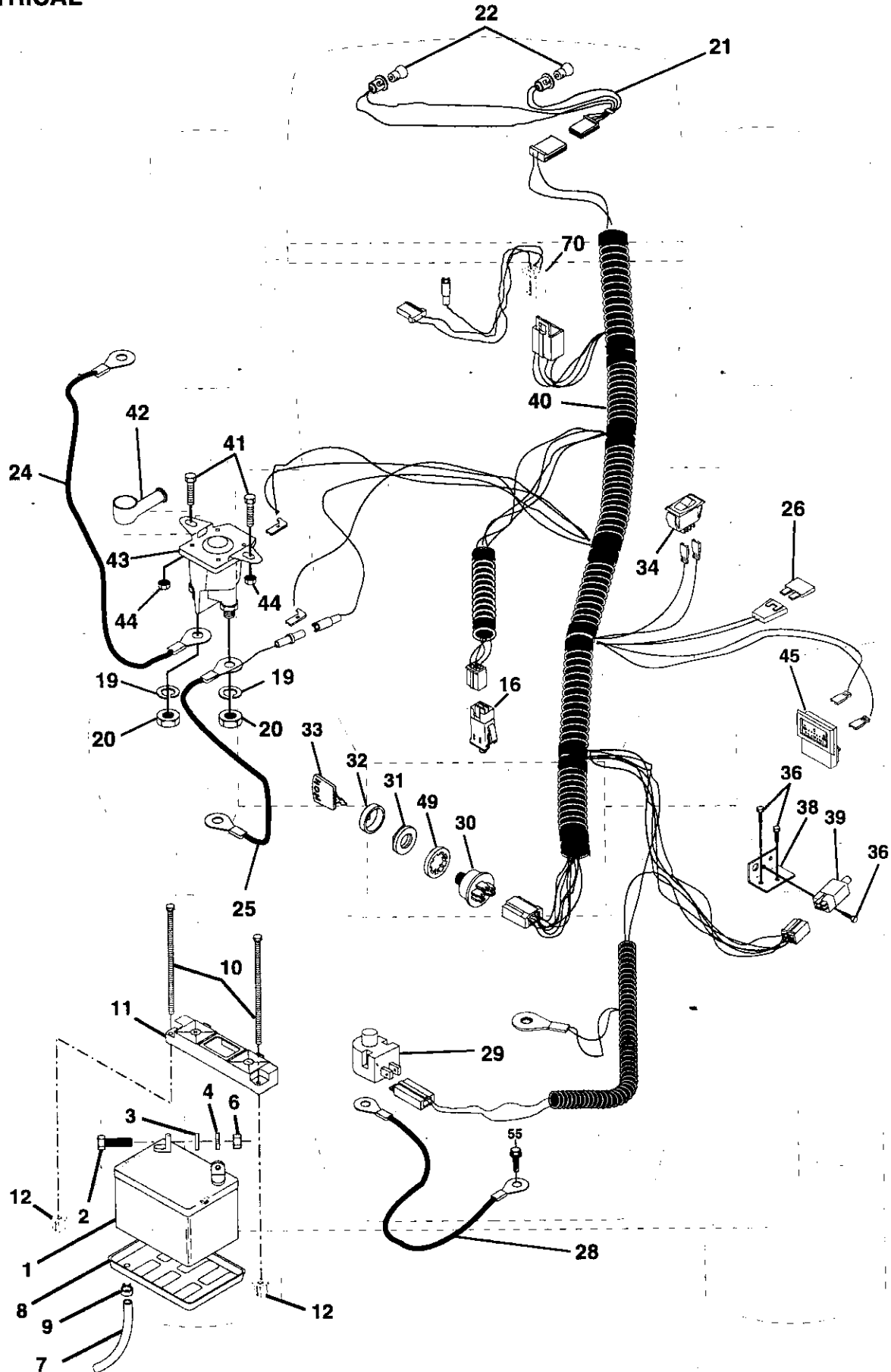
This Warranty gives you specific legal rights, and you may also have other rights which may vary from state to state.

SEARS, ROEBUCK AND CO., D/817 WA, HOFFMAN ESTATES, IL 60179

REPAIR PARTS

TRACTOR -- MODEL NUMBER 917.251360

ELECTRICAL



REPAIR PARTS

TRACTOR - - MODEL NUMBER 917.251360

ELECTRICAL

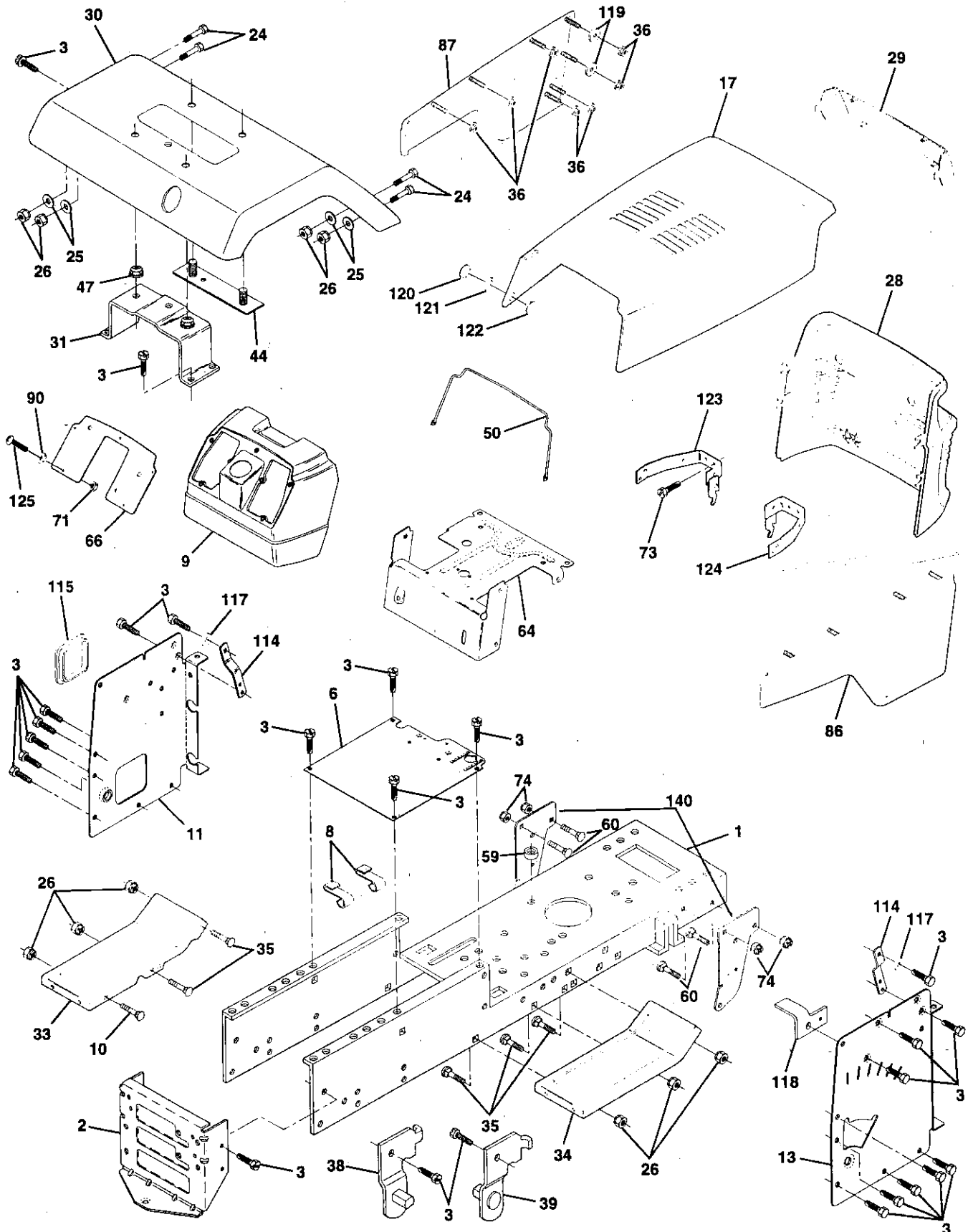
| KEY NO. | PART NO. | DESCRIPTION |
|---------|-----------|--------------------------------|
| 1 | 146140 | Battery 12 Volt 30 amp |
| 2 | 74760412 | Bolt Hex Hd 1/4-20unc X 3/4 |
| 3 | STD551025 | Washer 9/32 X 5/8 X 16 Ga |
| 4 | STD551125 | Washer Lock Hvy Helical 1/4 |
| 6 | STD541025 | Nut Fin Hex 1/4-20 Unc |
| 7 | 7697J | Tube Plastic 46" |
| 8 | 7603J | Tray Battery 7 80 X 5 25 Blk |
| 9 | 109596X | Clamp Hose Olive |
| 10 | 145211 | Bolt RdHd Sqnk 1/4-20 x 7-1/2 |
| 11 | 145209 | Guard Terminal Blk |
| 12 | 145769 | Nut Push Nylon 1/4 Battery |
| 16 | 153664 | Switch Interlock Push-In |
| 19 | STD551125 | Washer Lock 1/4 |
| 20 | 73350400 | Nut Jam Hex 1/4-20 Unc |
| 21 | 136850 | Harness Asm Light W/4152j |
| 22 | 4152J | Bulb Light #1156 |
| 24 | 4799J | Cable Ground 6 Ga black |
| 25 | 146148 | Cable Battery 6 Ga 22" red |
| 26 | 108824X | Fuse 30 AMP Auto Green |
| 28 | 145491 | Cable Battery 6 Ga 21" black |
| 29 | 121305X | Switch Plunger |
| 30 | 144921 | Switch Ign 3 pos |
| 31 | 140400 | Nut Ignition |
| 32 | 141226 | Cover Sw Key Blk 1 25 Text SLT |
| 33 | 140403 | Key Ign Molded Craftsman Delta |
| 34 | 110712X | Switch Light Blk Blk Red |
| 36 | STD601005 | Screw Tap Hex #10-24unc X 1/2 |
| 38 | 140336 | Bracket Switch Interlock |
| 39 | 109553X | Switch Intlk Clutch Red 4 Term |
| 40 | 145489 | Harness Ign B&S Dash HI Amm |
| 41 | 71110408 | Bolt Fin Hex 1/4-20uncx1/2 Gr5 |
| 42 | 131563 | Cover Terminal Red |
| 43 | 145673 | Solenoid |
| 44 | 73640400 | Nut Keps Hex 1/4-20 Unc |
| 45 | 121433X | Ammeter Rectangular |
| 49 | 153249 | Washer Pinned Delta |
| 55 | 17490508 | Screw Thdrol 5/16-18 x 1/2 Tyt |
| 70 | 140413 | Harness Engine B&S |

NOTE: All component dimensions given in U.S. inches
1 inch = 25.4 mm

REPAIR PARTS

TRACTOR -- MODEL NUMBER 917.251360

CHASSIS



REPAIR PARTS

TRACTOR -- MODEL NUMBER 917.251360

CHASSIS

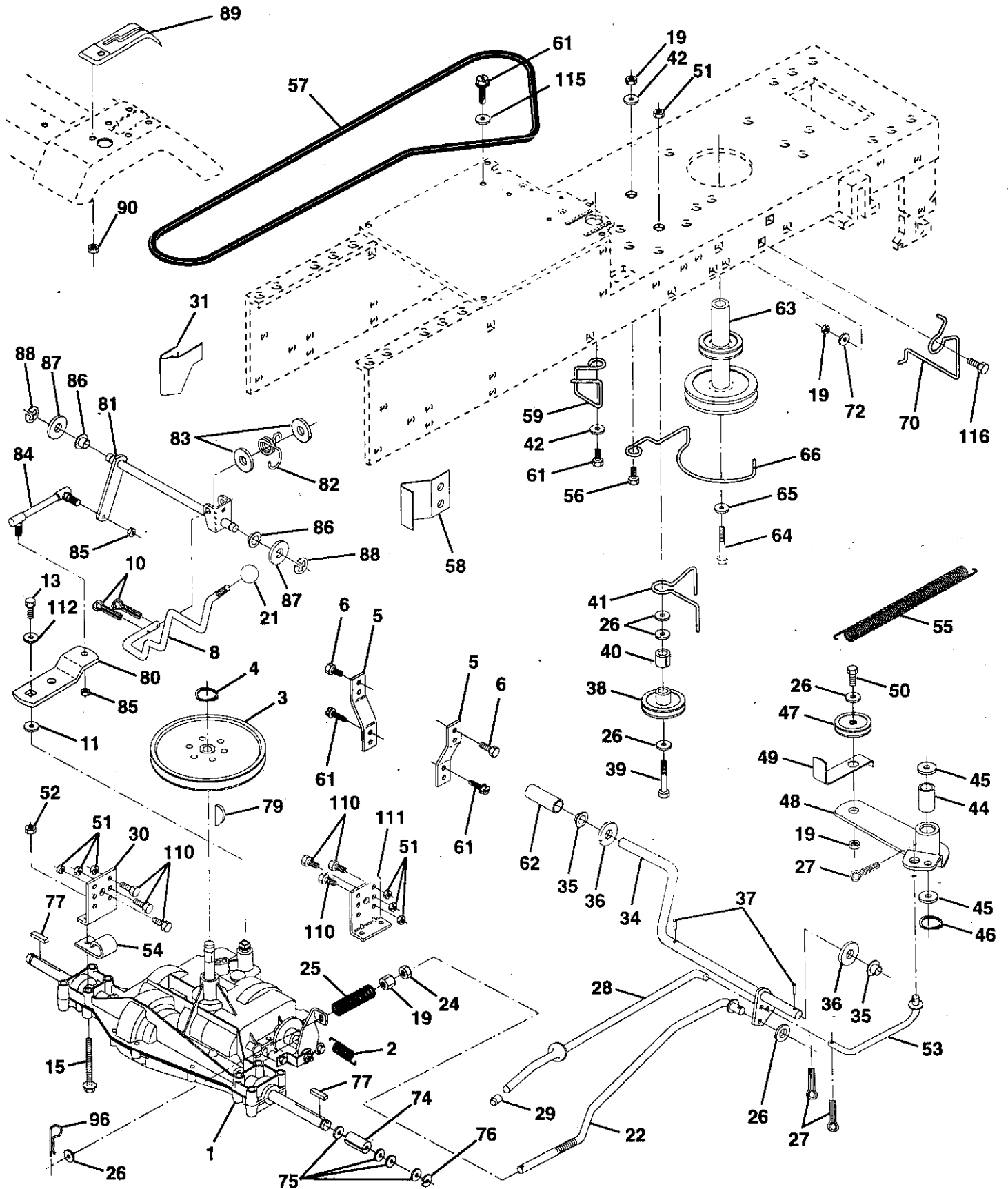
| KEY NO. | PART NO. | DESCRIPTION |
|---------|------------|--|
| 1 | 151169 | Chassis Weldment |
| 2 | 140356 | Draw Bar |
| 3 | 17490612 | Screw Thdrol. 3/8-16 x 3/4 Ty-tt |
| 6 | 145206 | Saddle |
| 8 | 126471X | Clip Insulated |
| 9 | 145203 | Dashboard |
| 10 | STD533710 | Bolt Carriage 3/8-16 x 1 |
| 11 | 145222 | Panel Dashboard LH |
| 13 | 145221 | Panel Dashboard RH |
| 17 | 136673X574 | Hood Asm Pnt Srs YTGT Ms 574 |
| 24 | STD523710 | Bolt Hex 3/8-16 x 1 Gr. 5 |
| 25 | 19131312 | Washer 13/32 x 13/16 x 12 Ga |
| 26 | STD541437 | Nut Lock Hex W/Washer 3/8-16 UNC |
| 28 | 136373X428 | Grille YTGT 1-Pc |
| 29 | 136374 | Lens Grille Bar |
| 30 | 140002X574 | Fender |
| 31 | 137113 | Bracket Fender |
| 33 | 145244X574 | Footrest LH |
| 34 | 145243X574 | Footrest RH |
| 35 | STD533707 | Bolt Carriage 3/8-16 x 3/4 |
| 36 | 108067X | Nut Pal |
| 38 | 139886 | Bracket Assy Pivot LH |
| 39 | 139887 | Bracket Assy Pivot RH |
| 44 | 140675 | Strip Asm Fender |
| 47 | 105531X | Nut Push |
| 50 | 137304 | Rod Support Hood 1-Pc Zinc |
| 59 | 110436X | Bushing Snap Split |
| 60 | STD533707 | Bolt Rdhd Sqnk 3/-16unc x 3/4 |
| 64 | 150272 | Dash Lower |
| 66 | 140942X013 | Plate |
| 71 | 73640400 | Nut Keps Blk Hex 1/4-20 UNC |
| 73 | 17580408 | Screw Tap Tite 1/4-20 X 1/2 |
| 74 | STD541437 | Nut Crownlock 3/8-16 UNC |
| 86 | 136670X574 | Assy Panel Side RH |
| 87 | 136671X574 | Assy Panel Side LH |
| 90 | STD551025 | Washer 9/32 x 3/4 x16 Ga. |
| 115 | 121794X | Cover Access |
| 114 | 145349 | Bracket Support Dashboard |
| 117 | 144283 | Washer Serrated |
| 118 | 145595 | Bracket Clutch Mower |
| 119 | 19092016 | Washer 9/32 X 1-1/4 X 16 Ga. |
| 120 | 137271 | Rivet Ratchet Female |
| 121 | 137269 | Washer Nylon |
| 122 | 137270 | Rivet Ratchet Male |
| 123 | 136814 | Bracket LH |
| 124 | 136813 | Bracket RH |
| 125 | 74180412 | Screw Machine Thrd 1/4-20 UNC x 3/4 |
| 140 | 150556 | Bracket Chassis Front 7 Ga. |

NOTE: All component dimensions given in U.S. inches
1 inch = 25.4 mm

REPAIR PARTS

TRACTOR -- MODEL NUMBER 917.251360

DRIVE



REPAIR PARTS

TRACTOR - - MODEL NUMBER 917.251360

DRIVE

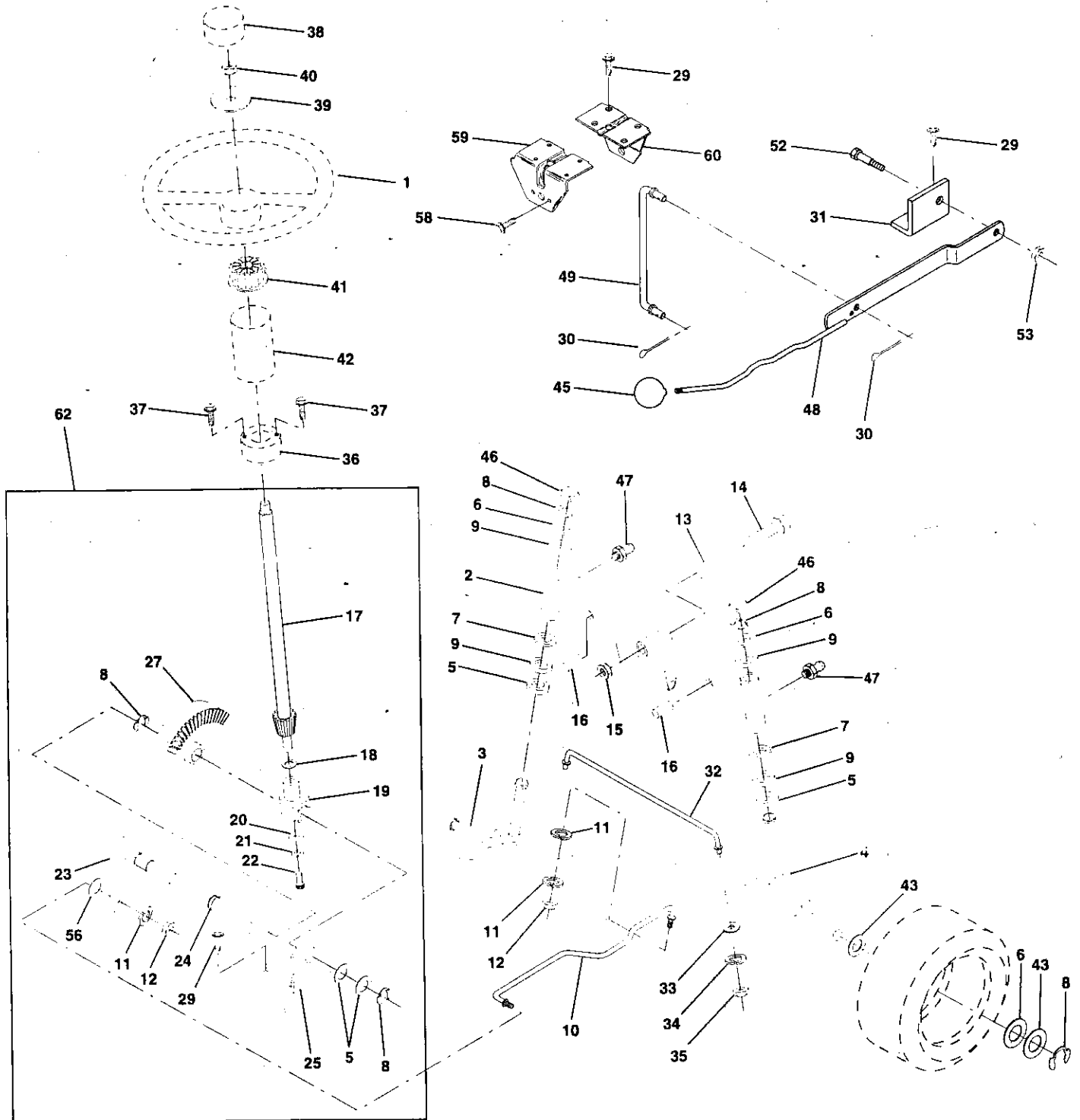
| KEY NO. | PART NO. | DESCRIPTION | KEY NO. | PART NO. | DESCRIPTION |
|---------|-----------|---|---------|-----------|--|
| 1 | 138788 | Transaxle, Peerless, 6 Speed, Model Number 820-016B | 53 | 105710X | Link, Clutch |
| 2 | 110422X | Spring, Brake Return | 54 | 126471X | Clip, Fuel Line |
| 3 | 121327X | Pulley, Transaxle | 55 | 105709X | Spring, Return, Clutch |
| 4 | STD582075 | Ring, Retainer | 56 | STD523712 | Bolt, Fin Hex 3/8-16 UNC x 1-1/4 |
| 5 | 123787X | Strap, Torque | 57 | 123796X | V-Belt, Drive |
| 6 | 17490512 | Screw, Hex Washer Head, Thd., Roll. 5/16-18 x 3/4 | 58 | 123792X | Keeper, Belt, Transaxle, R.H. |
| 8 | 123781X | Rod, Shifter | 59 | 140312 | Keeper, Chassis, Center Span |
| 10 | STD561210 | Pin, Cotter 1/8 x 1 | 61 | 17490612 | Screw, Hex Washer Head, Thd., Roll. 3/8-16 x 3/4 |
| 11 | 105701X | Washer, Shift Plate | 62 | 8883R | Cover, Foot Pedal |
| 13 | 74550412 | Bolt 1/4-28 UNF Gr. 8 W/Patch | 63 | 140186 | Pulley, Engine |
| 15 | 74490544 | Bolt, Hex Flghd 5/16-18 Gr. 5 | 64 | 71170764 | Bolt, Hex Head 7/16-20 x 4 Gr. 5 |
| 19 | STD541437 | Locknut 3/8-16 | 65 | STD551143 | Washer, Lock |
| 21 | 106933X | Knob | 66 | 153400 | Keeper, Belt, Engine, L.H. |
| 22 | 145340 | Rod, Brake | 70 | 134683 | Guide, Belt, Mower Drive |
| 24 | STD541237 | Nut, Hex, Jam 3/8-16 UNC | 72 | 19132012 | Washer 13/32 x 1-1/4 x 12 Ga. |
| 25 | 126909X | Spring, Brake Rod | 74 | 108097X | Spacer, Split |
| 26 | STD551037 | Washer 13/32 x 13/16 x 16 Ga. | 75 | 123800X | Washer 1-1/32 x 1-5/8 x 16 |
| 27 | STD561210 | Pin, Cotter 1/8 x 3/4 | 76 | 12000053 | E-Ring |
| 28 | 145204 | Rod, Parking Brake | 77 | 9396E | Key, Square 1/4 x 2 |
| 29 | 124236X | Cap Brake Parking | 79 | STD580025 | Key, Woodruff #9 |
| 30 | 123780X | Bracket, Transaxle, L.H. | 80 | 123794X | Shift Arm |
| 31 | 123791X | Keeper, Belt, Transaxle, L.H. | 81 | 123772X | Shaft Assembly, Shifter |
| 34 | 151128 | Shaft, Foot Pedal5 | 82 | 123782X | Spring, Torsion |
| 35 | 120183X | Bearing, Nylon | 83 | 19171216 | Washer 17/32 x 3/4 x 16-Ga. |
| 36 | STD551062 | Washer 21/32 x 1 x 16 Gauge | 84 | 123793X | Rod Link Shift Adm. Non/Stretch |
| 37 | STD571810 | Pin, Roll 3/16 x | 85 | 150360 | Nut, Lock Center 1/4-28 Fnthd |
| 38 | 123674X | Idler, Flat | 86 | 71208 | Bushing, Steering Rod |
| 39 | STD523727 | Bolt, Hex Head 3/8-16 x 2-3/4 | 87 | 19212016 | Washer 21/32 x 1-1/4 x 16 Ga. |
| 40 | 4470J | Spacer | 88 | 12000008 | Ring, Klip |
| 41 | 153399 | Keeper, Belt | 89 | 139992 | Console 6sp GTV |
| 42 | 19131312 | Washer 13/32 x 13/16 x 12 Ga. | 90 | 124346X | Nut Self-Thd Wash-Hd 1/4 Zinc |
| 44 | 105706X | Bearing | 96 | STD624003 | Retainer Spring |
| 45 | 110812X | Washer, Hardened | 110 | STD523707 | Bolt, Hex Head 3/8-16 x 3/4 |
| 46 | 12000039 | Ring, Clip | 111 | 123776X | Bracket, Transaxle, RH. |
| 47 | 127783 | Pulley, Idler, V-Groove | 112 | STD551025 | Washer 9/32 x 3/4 x 16 Ga. |
| 48 | 123789X | Bellcrank Asm. Clutch | 115 | 19132203 | Washer 13/32 x 1-3/8 x 3 Ga. |
| 49 | 123205X | Retainer, Belt | 116 | 72110610 | Bolt Rdhd Sq. Neck 3/8-16 x 1-1/4 |
| 50 | STD523715 | Bolt, Hex Head 3/8-16 X 1-1/2 | | | |
| 51 | STD541437 | Nut, Crownlock 3/8-16 | | | |
| 52 | STD541431 | Nut, Crownlock 5/16-18 | | | |

NOTE: All component dimensions given in U.S. inches
1 inch = 25.4 mm

REPAIR PARTS

TRACTOR -- MODEL NUMBER 917.251360

STEERING ASSEMBLY



REPAIR PARTS

TRACTOR - - MODEL NUMBER 917.251360

STEERING ASSEMBLY

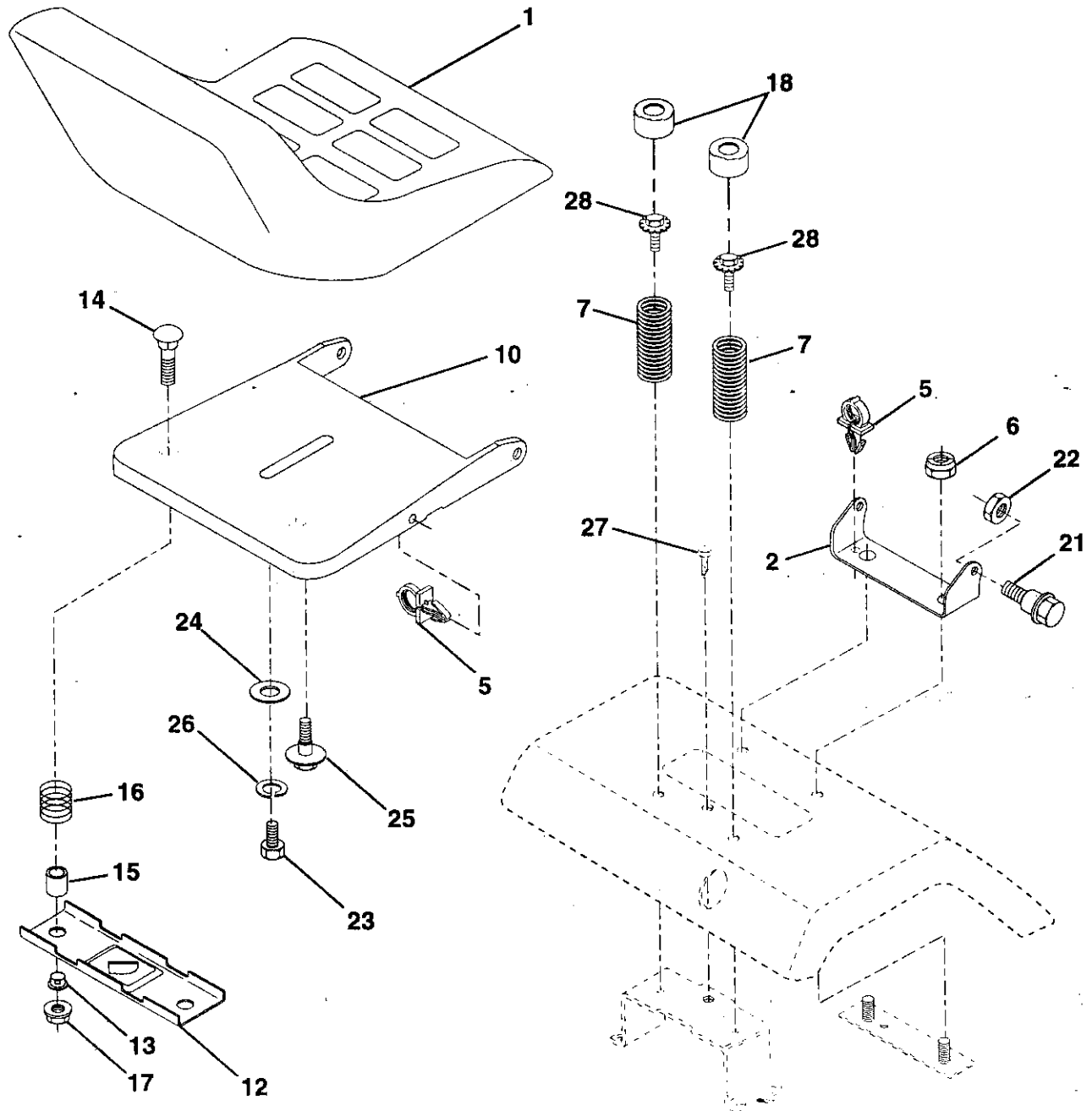
| KEY NO. | PART NO. | DESCRIPTION | KEY NO. | PART NO. | DESCRIPTION |
|---------|-----------|-------------------------------|---------|-----------|---------------------------------|
| 1 | 139768 | Wheel Steering Ayp/kelch Blk | 31 | 138171 | Bracket Pvt Ma Cl Lvr |
| 2 | 142033 | Axle Asm Fr LT | 32 | 139929 | Tie Rod |
| 3 | 135227 | Spindle Asm LH | 33 | 19111216 | Washer 11/32 x 3/4 x 16 Ga. |
| 4 | 135228 | Spindle Asm RH | 34 | STD551131 | Washer Lock Hvy Hlcl Spr 5/16 |
| 5 | 6266H | Bearing Race Thrust Harden | 35 | STD541531 | Locknut 5/16-24 UNF |
| 6 | 121748X | Washer 25/32 X 1-5/8 X 16ga | 36 | 145207 | Bushing Strg Blk 3/4 angle |
| 7 | 19272016 | Washer 27/32 X 1-1/4 X 16 Ga | 37 | 152927 | Screw #10-32 x 1/2 x 3/8 Flange |
| 8 | 12000029 | Ring Klip #t5304-75 | 38 | 139769 | Cap Wheel Steer |
| 9 | 3366R | Bearing Col Strg Blk | 39 | 100712K | Washer 53 X 2 25 X 160 Zinc |
| 10 | 130468 | Link Drag Sol Ball Jt 20 064 | 40 | STD541350 | Nut Hex Jam Toplock 1/2-20 Unf |
| 11 | STD551137 | Washer Lock Hvy Hlcl Spr 3/8 | 41 | 100711L | Adapter Wheel Strg 758/ 753id |
| 12 | 73610600 | Nut Fin Hex 3/8-24 Unf | 42 | 140216 | Column Steering |
| 13 | 110438X | Spacer Bearing Axle Front | 43 | 121749X | Washer 25/32 X 1 1/4 X 16 Ga |
| 14 | 74761060 | BOLT Hex 5/8-11 Unc X 3-3/4 | 45 | 106933X | Knob Custom Rd |
| 15 | 73901000 | Nut Lock Flange 5/8-11 Unc | 46 | 121232X | Cap Spindle Fr Top Blk |
| 16 | 132624 | Pin Axle 5/8 X 1 55/1 54 Lg | 47 | 6855M | Fitting Grease |
| 17 | 128758 | Shaft Asm Strg | 48 | 146841 | Lever Asm. Clutch Mower |
| 18 | 57079 | Washer Thrust 515x 750x 033 | 49 | 131291 | Link Clutch W/Nibs |
| 19 | 124035X | Support Shaft | 52 | 106451X | Bolt Shoulder |
| 20 | 126684X | Washer Shim 1/4 X 5/8 X 062 | 53 | STD541437 | Nut, Crownlock 3/8-16 UNC |
| 21 | STD551125 | Washer Lock Hvy Helical 1/4 | 56 | 19131210 | Washer 13/32 x 3/4 x 10 Ga. |
| 22 | 71100410 | Screw Cap Sckt Hd Phos & Oil | 58 | 17490508 | Screw Thdrol 5/16-18 x 1/2 TT |
| 23 | 127501 | Shaft Asm Pittman | 59 | 105663X | Support Saddle Rear 10 Ga. |
| 24 | 109816X | Nyliner Snap In | 60 | 105664X | Support Saddle Front |
| 25 | 124036X | Bracket Steering | 62 | 149682 | Kit Steer Asm. 18.31 x 3/4 |
| 27 | 136874 | Gear Sector 22 Teeth | | | |
| 29 | 17490612 | Screw Thdrol 3/8-16x3/4 Ty-tt | | | |
| 30 | STD561210 | Pin Cotter 1/8 x 3/4 | | | |

NOTE: All component dimensions given in U.S. inches
1 inch = 25.4 mm

REPAIR PARTS

TRACTOR - - MODEL NUMBER 917.251360

SEAT ASSEMBLY



| KEY NO. | PART NO. | DESCRIPTION |
|---------|-----------|--------------------------------|
| 1 | 140122 | Seat |
| 2 | 140551 | Bracket Pnt Pivot Seat (blk) |
| 5 | 145006 | Clip Push-In |
| 6 | STD541437 | Nut Lock Hex W/Ins 3/8 -16 UNC |
| 7 | 124181X | Spring Seat Cprsn 2 250 Blk Zi |
| 10 | 140552 | Pan Pnt Seat (blk) |
| 12 | 121246X | Bracket Pnt Mounting Switch |
| 13 | 121248X | Bushing Snap Blk Nyl 50 Id |
| 14 | 72050411 | Bolt Rdhd Sht Nk 1/4-20x1-3/8 |
| 15 | 134300 | Spacer Split 28 X 96 |
| 16 | 121250X | Spring Cprsn |
| 17 | 123976X | Nut Lock 1/4 Lge Flg Gr 5 Zinc |

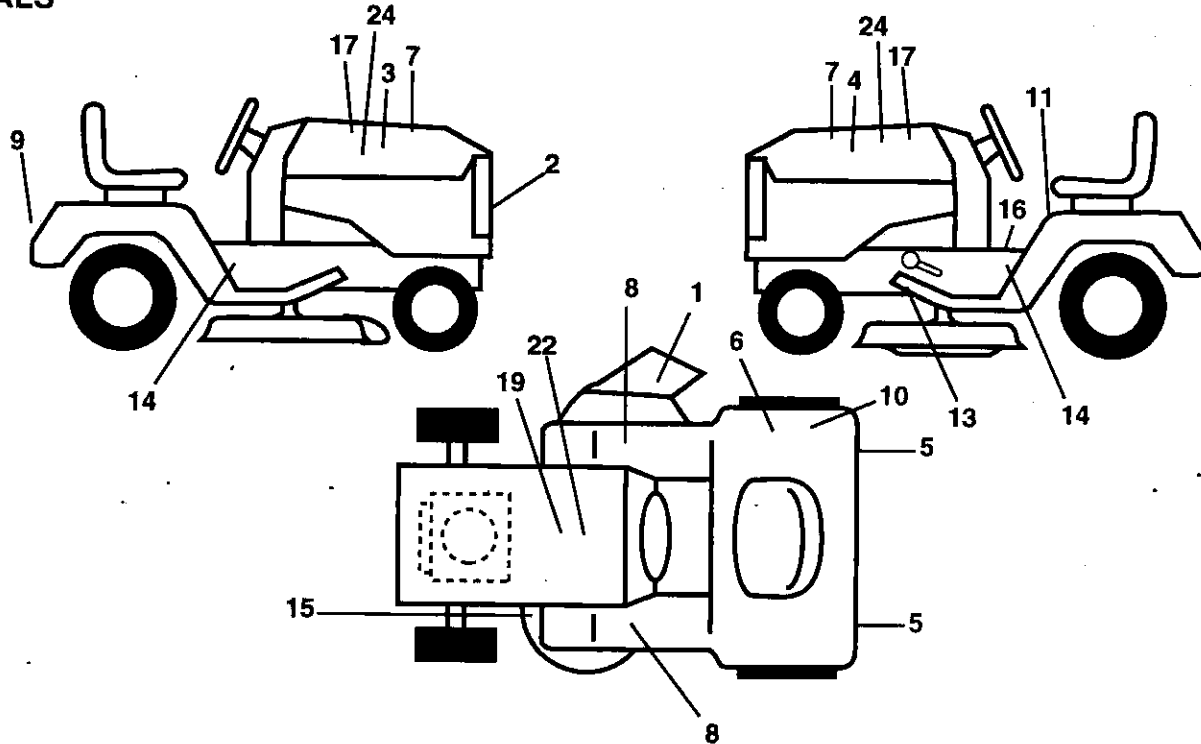
| KEY NO. | PART NO. | DESCRIPTION |
|---------|-----------|-----------------------------------|
| 18 | 124238X | Cap Spring Seat |
| 21 | 153236 | Bolt Shoulder 5/16-18 Unc Blkz-2A |
| 22 | STD541431 | Nut Lock Hex W/Ins 5/16-18 |
| 23 | 74780814 | Bolt Fin Hex 1/2-13 X 7/8 Gr 5 |
| 24 | 19171912 | Washer 17/32 X 1-3/16 X 12 Ga |
| 25 | 127018X | Bolt Shoulder 5/16-18 X 62 |
| 26 | STD551150 | Washer Lock Hvy Hlcl Spr 1/2 |
| 27 | 17490608 | Screw Thdrol. 3/8-16 x 1/2 |
| 28 | 150176 | Bolt 5/16 -18 UNC X 3/4 W/Sems |

NOTE: All component dimensions given in U.S. inches.
1 inch = 25.4 mm

REPAIR PARTS

TRACTOR -- MODEL NUMBER 917.251360

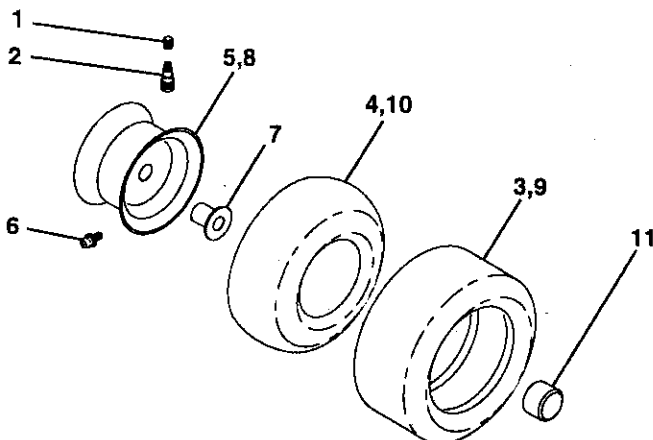
DECALS



| KEY NO. | PART NO. | DESCRIPTION |
|---------|----------|---------------------------------|
| 1 | 145494 | Decal, Mower Cutoff Symbol |
| 2 | 151696 | Decal, Grille Lawn Tractor Dov |
| 3 | 151693 | Decal, Hood Rh Craftsman |
| 4 | 151694 | Decal, Hood Lh Craftsman |
| 5 | 106202X | Reflector, Taillight Red/ Amber |
| 6 | 145437 | Decal, Europe Stand CE |
| 7 | 151799 | Decal, Panel Side B&S |
| 8 | 145245 | Pad, Footrest |
| 9 | 128314 | Decal, Fender Craftsman White |
| 10 | 125690X | Decal, 100 DBA |
| 11 | 145498 | Decal, Read Owners Manual Syms |
| 13 | 146046 | Decal, V-belt Dr Sch Tractor E |

| KEY NO. | PART NO. | DESCRIPTION |
|---------|----------|---------------------------------|
| 14 | 151695 | Decal, Chassis 6 Sp 44" |
| 15 | 139346 | Decal, Mower Drive Schematic |
| 16 | 140837 | Decal, Saddle Brake Parking |
| 17 | 151795 | Decal, Insert, Hood |
| 19 | 138047 | Decal, Battery Diehard Sears |
| 22 | 146451 | Decal, Battery |
| 24 | 138048 | Decal, Panel Side Diehard White |
| -- | 138311 | Decal, Lift Handle |
| -- | 137318 | Decal, Refl HL YTGT 1Pc Srs. |
| -- | 137319 | Decal, Refl HL YTGT 1Pc Srs. |
| -- | 145247 | Fastener, Pop-In Footrest |
| -- | 153863 | Manual, Oper (Euro) |
| -- | 153864 | Manual, Oper (Scand) |

WHEELS & TIRES



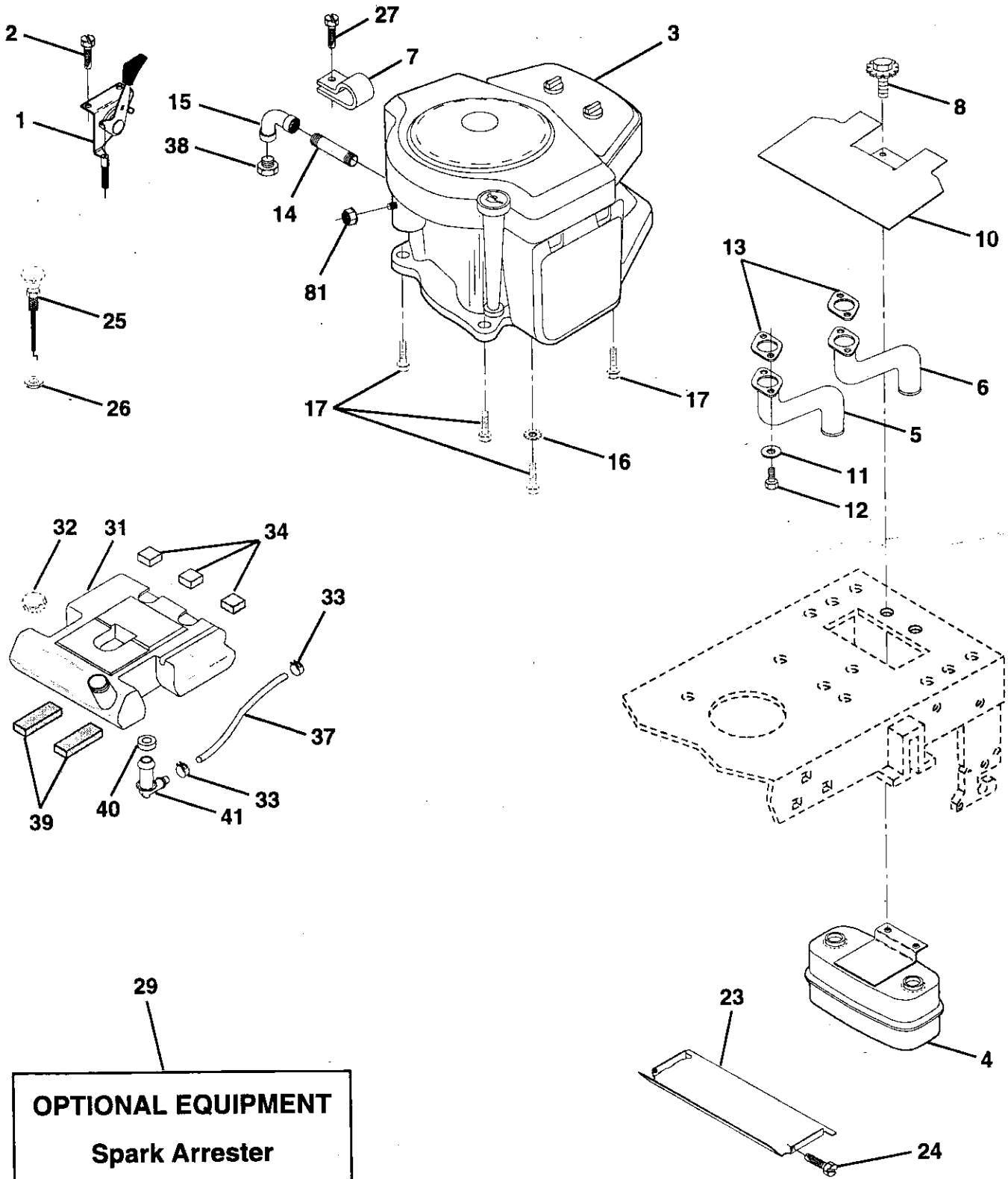
| KEY NO. | PART NO. | DESCRIPTION |
|---------|------------|--------------------------------|
| 1 | 59192 | Cap Value Tire |
| 2 | 65139 | Stem Value |
| 3 | 106222X | Tire F Ts 15 X 6 0 - 6 Service |
| 4 | 59904 | Tube Inner Front #35060 |
| 5 | 106732X427 | Rim Asm 6"front White Service |
| 6 | 278H | Fitting Grease |
| 7 | 9040H | Bearing Flange |
| 8 | 124074X427 | Rim Asm 12"rear White Service |
| 9 | 124106X | Tire R Ts 23 x 8.5-12 Service |
| 10 | 7152J | Tube Rear 9 5 X 8 Service |
| 11 | 104757X | Cap Axle Blk 1 50 X 1 00 |
| -- | 144334 | Sealant, Tire (10 oz. Tube) |

NOTE: All component dimensions given in U.S. inches.
1 inch = 25.4 mm

REPAIR PARTS

TRACTOR - - MODEL NUMBER 917.251360

ENGINE



REPAIR PARTS

TRACTOR - - MODEL NUMBER 917.251360

ENGINE

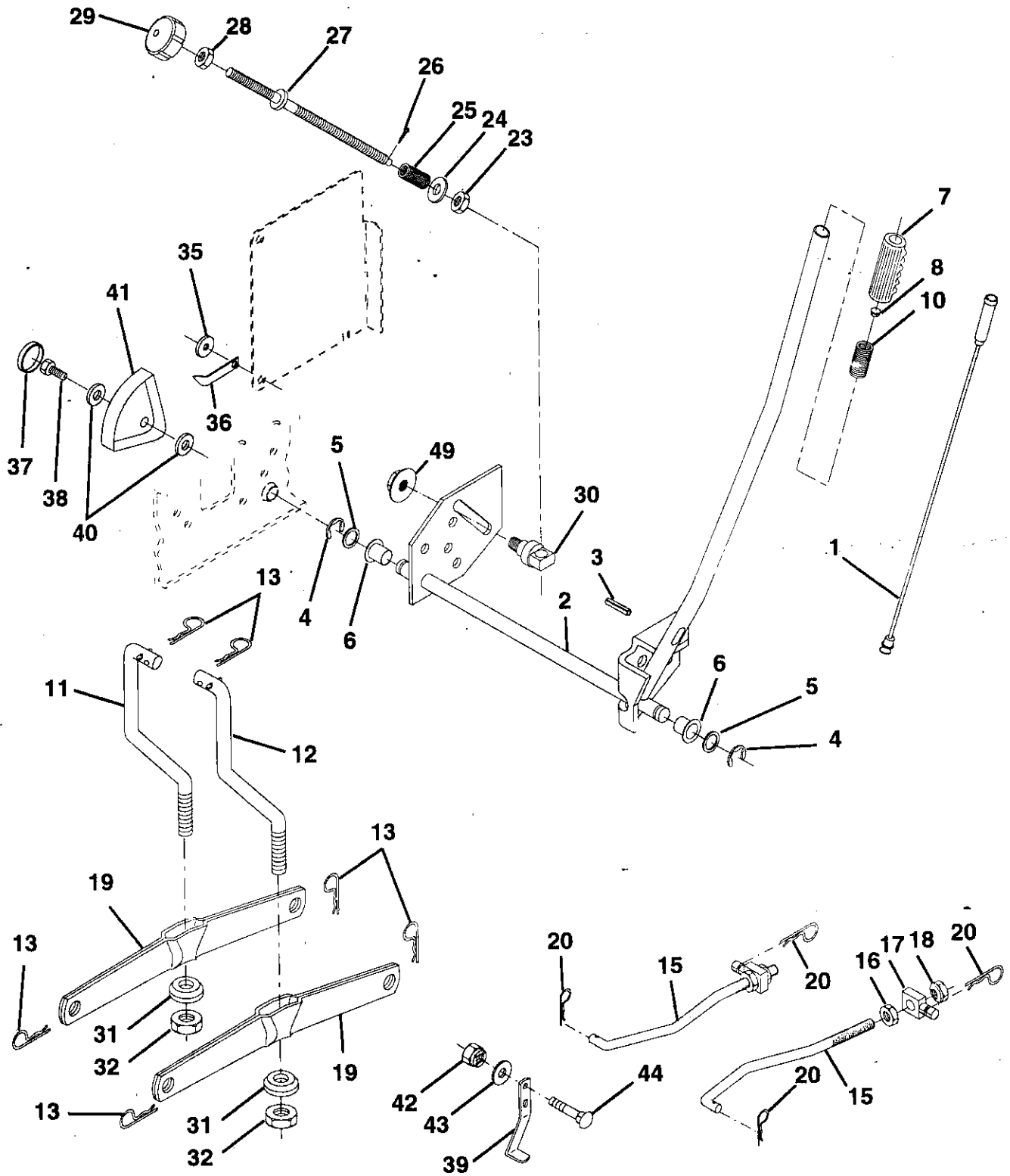
| KEY NO. | PART NO. | DESCRIPTION |
|---------|-----------|--|
| 1 | 132755 | Control Throt RH Blk Pdl 36 60 |
| 2 | 17720410 | Screw Hex Thd Cut 1/4-20x5/8 T |
| 3 | 150469 | Engine B&S, 20 HP, Model No. 460777, Type Number 1297-01 |
| 4 | 149723 | Muffler Asm Twin Lo-Tone |
| 5 | 144068 | Exhaust Asm RH B&S 18 HP Vert |
| 6 | 144069 | Exhaust Asm LH B&S 18 HP Vert |
| 7 | 138129 | Clamp Tube Double Engine |
| 8 | 150716 | Bolt 5/16-18 UNC x 3/4 w/ Sems |
| 10 | 145552 | Shield Heat |
| 11 | STD551125 | Washer Lock Hvy Helical 1/4 |
| 12 | STD522507 | Bolt Fin Hex 1/4-20unc X 75 |
| 13 | 272250 | Gasket Muffler #272250 |
| 14 | 13280336 | Nipple Pipe 4-1/2" |
| 15 | 13200300 | Elbow Std 90 Degree 3/8-18 Npt |
| 16 | STD551237 | Washer Lock Ext Tooth 3/8 |
| 17 | 17490624 | Screw Thdrol 3/8-16 X 1-1/2 Tt |
| 23 | 150554 | Shield Heat Browning |
| 24 | 17490512 | Screw Thdrol 5/16-18 x 3/4 TYT |
| 25 | 138672 | Control Choke 51.00 Blk W/bend |
| 26 | 73920600 | Nut Keps 3/8-24 Unf |
| 27 | 152927 | Screw |
| 29 | 137180 | Kit Spark Arrestor |
| 31 | 151346 | Tank Fuel |
| 32 | 151296 | Cap Asm Fuel w/Gauge Vented |
| 33 | 123487X | Clamp Hose Blk |
| 34 | 106082X | Pad Spacer |
| 37 | 8543R | Line Fuel 54" |
| 38 | ----- | Plug Oil Drain (Order From Engine Manufacturer) |
| 39 | 109227X | Pad Idler |
| 40 | 3645J | Bushing |
| 41 | 139277 | Stem Fuel Tank |
| 81 | 128861 | Nut Flange 1/4-20 Starter Nut |

NOTE: All component dimensions given in U.S. inches
1 inch = 25.4 mm

REPAIR PARTS

TRACTOR -- MODEL NUMBER 917.251360

MOWER LIFT



REPAIR PARTS

TRACTOR - - MODEL NUMBER 917.251360

MOWER LIFT

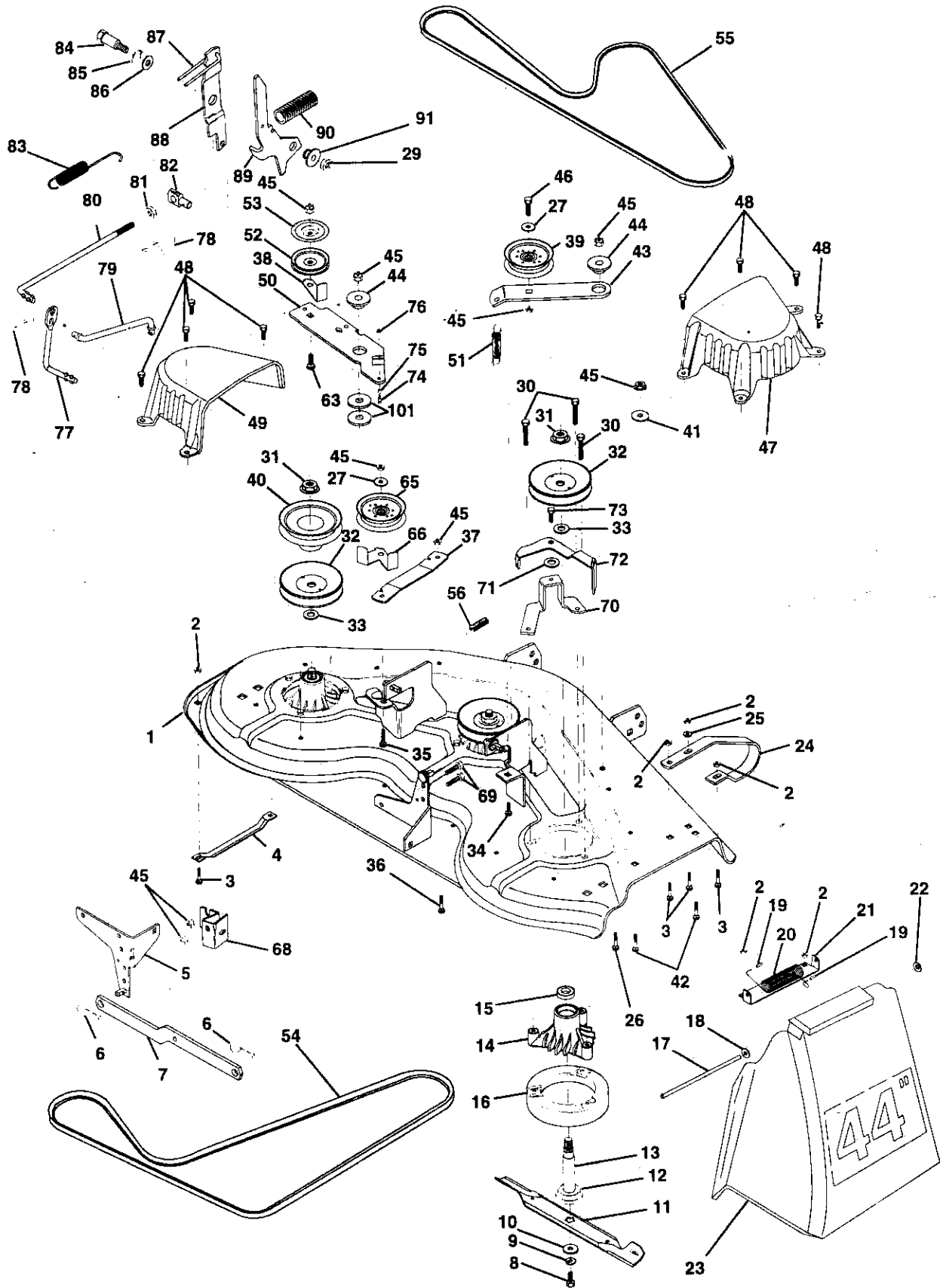
| KEY NO. | PART NO. | DESCRIPTION |
|---------|------------|----------------------------------|
| 1 | 121006X | Rod, Lever |
| 2 | 140673 | Shaft, Lift |
| 6 | 74780624 | Bolt Hex 3/8-16 x 1-1/2 |
| 7 | 125631X | Grip, Handle |
| 8 | 122365X | Button, Plunger |
| 9 | 122364X | Plunger, Lever |
| 10 | 2876H | Spring |
| 11 | 145537 | Link, Lift, LH |
| 12 | 145536 | Link, Lift, RH |
| 13 | STD624008 | Retainer, Spring |
| 14 | 121002X | Lever, Lift (Includes Key No. 1) |
| 15 | 127218 | Link-Front |
| 16 | 73350800 | Nut, Hex, Jam 1/3-13 UNC |
| 17 | 130171 | Trunnion, Blk Zinc |
| 18 | STD541450 | Nut, Lock W/Wsh 1/2-13 |
| 19 | 139868 | Arm, Suspension |
| 20 | STD624008 | Retainer Spring |
| 23 | 110807X | Nut, Hex, Special |
| 24 | STD551037 | Washer 13/32 x 5/8 x 16 Gauge |
| 25 | 137150 | Spring |
| 26 | STD560907 | Pin, Cotter 3/32 x 1/2 |
| 27 | 137167 | Rod, Adjust, Lift |
| 28 | STD541237 | Nut, Hex, Jam 3/8-16 |
| 29 | 138057 | Knob, Infinite Height Adjustment |
| 30 | 150233 | Trunnion |
| 31 | 140302 | Bearing Pvt Lift Spherical |
| 32 | 73540600 | Nut, Crownlock 3/8-24 |
| 35 | 120529X | Washer Nylon .44 x .75 x .032 |
| 36 | 123933X505 | Pointer Pnt Height Ind |
| 37 | 123935X | Plug Hole Blk |
| 38 | 17490512 | Screw, Thdrol 5/16-18 x 3/4 |
| 39 | 142992 | Stop Over Center |
| 40 | 19112410 | Washer 11/32 x 1-1/2 x 10 Ga. |
| 41 | 123934X | Scale Ind. Height Blk |
| 42 | STD541437 | Nut Crownlock 3/8-16 UNC |
| 43 | 19131612 | Washer 13/32 x 1 x 12 Ga. |
| 44 | STD533710 | Bolt Carriage 3/8-16 x 1.00 |
| 46 | 12000022 | E-Ring |
| 47 | 19292016 | Washer 29/32 x 1-1/4 x 16 Gauge |
| 49 | 145212 | Nut Hex Flange Lock |

NOTE: All component dimensions given in U.S. inches.
1 inch = 25.4 mm

REPAIR PARTS

TRACTOR - - MODEL NUMBER 917.251360

MOWER DECK



REPAIR PARTS

TRACTOR -- MODEL NUMBER 917.251360

MOWER DECK

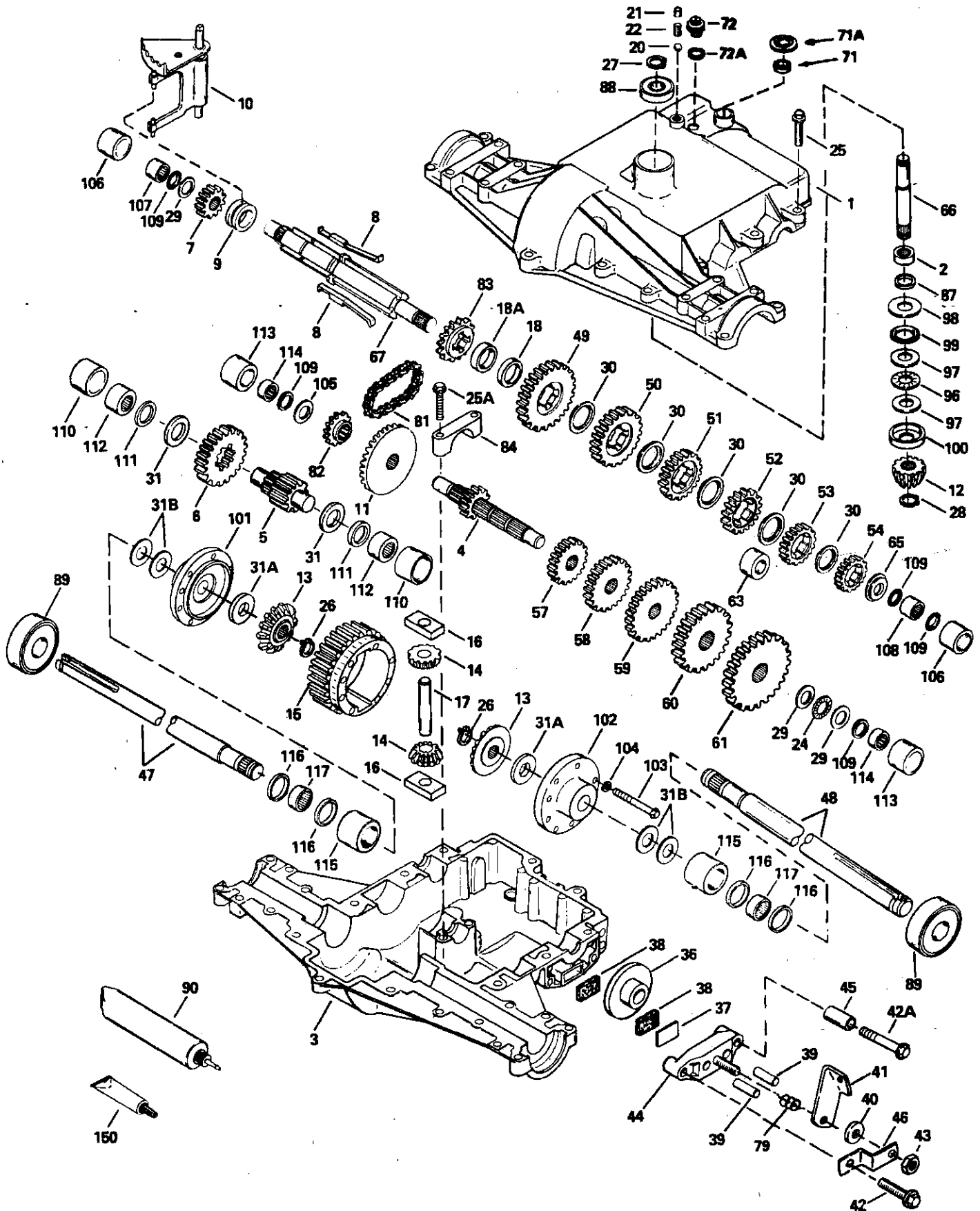
| KEY NO. | PART NO. | DESCRIPTION | KEY NO. | PART NO. | DESCRIPTION |
|---------|-----------|---|---------|-----------|--|
| 1 | 140579 | Deck Asm., Mower 44" Vented | 47 | 137200 | Cover, Mandrel RH |
| 2 | STD541431 | Nut Crownlock 5/16-18 | 48 | 137729 | Screw, Thd Roll 1/4-20 x 5/8 |
| 3 | STD533107 | Bolt, Carriage 5/16-18 x 3/4 | 49 | 136574 | Cover, Mandrel LH |
| 4 | 7631J | Runner, Mower LH | 50 | 137272 | Arm, Idler Primary |
| 5 | 138457 | Bracket Asm., Sway Bar | 51 | 137273 | Spring, Secondary |
| 6 | STD624008 | Retainer, Spring | 52 | 139245 | Pulley, Idler V Groove |
| 7 | 130832 | Arm Suspension, Rear | 53 | 137789 | Shield, Idler |
| 8 | 850857 | Bolt 3/8-24 x 1.25 Gr. 8 Patched | 54 | 142686 | V-Belt, Mower Primary |
| 9 | STD551137 | Washer, Lock Hvy 3/8 Unplated | 55 | 131290 | V-Belt, Mower Secondary |
| 10 | 140296 | Washer, Hard Blade Mower Vented | 56 | 126910X | Spring, Extension |
| 11 | 130652 | Blade (3 Required) | 63 | 72110612 | Bolt Carriage 3/8-16 x 1-1/2 |
| 12 | 129895 | Bearing, Ball #6204 (Mandrel) | 65 | 151831 | Pulley Idler Falt Mower |
| 13 | 137553 | Shaft Asm., W/Lower Brg (Includes Key No. 12) | 66 | 139622 | Keeper Belt Idler 50 Vent Dr. |
| 14 | 137152 | Housing, Mandrel 44" Vent | 68 | 140364 | Bracket Pvt 44" Mech. |
| 15 | 110485X | Bearing, Ball Mandrel | 69 | STD523707 | Bolt Fin Hex 3/8-16 UNC x 3/4 |
| 16 | 140329 | Stripper, Mower Vented | 70 | 140361 | Bracket Support Brake 44" Mech. |
| 17 | 106735X | Rod, Hinge | 71 | 133944 | Washer Hardened |
| 18 | 19111016 | Washer 11/32 x 5/8 x 16 Ga. | 72 | 140367 | Arm Asm Brake |
| 19 | 105304X | Cap, Sleeve | 73 | 139888 | Bolt Shld 5/16-18 Type TT |
| 20 | 123713X | Spring, Torsion Deflector | 74 | 133940 | Roller Asm Cam Follower |
| 21 | 137607 | Bracket, Deflector | 75 | 131340 | Bolt Shldr 10-24 Zinc Gr. 5 42" |
| 22 | 110452X | Nut, Push | 76 | 69180 | Nut Lock #10-24 UNC |
| 23 | 109785X | Shield, Deflector Mower | 77 | 133551 | Rod Pivot W/Nibs |
| 24 | 136321 | Runner, RH | 78 | STD624003 | Retainer Spring |
| 25 | 19111216 | Washer 11/32 x 3/4 x 16 Ga. | 79 | 140363 | Rod Clutch Secondary 44" Mech |
| 26 | STD533707 | Bolt RDHD Sht SQNK 3/8-16 x 3/4 | 80 | 143354 | Rod Clutch Primary 44" Mech |
| 27 | STD551037 | Washer 13/32 x 13/16 x 16 Ga. | 81 | STD541237 | Nut Hex Jam 3/8-16 UNC |
| 29 | STD541437 | Nut Crownlock 3/8-16 UNC | 82 | 142028 | Trunnion Adj '94 |
| 30 | 138776 | Screw, Thdrol. Hex Head | 83 | 146927 | Spring Return |
| 31 | 137266 | Nut, Flg Top Lock Cntr 9/16 | 84 | 128903 | Bolt Shoulder 3/8-16 UNC |
| 32 | 153535 | Pulley, Mandrel | 85 | 12000029 | Ring Klip |
| 33 | 129963 | Washer, Spacer Mower Vented | 86 | 121748X | Washer 25/32 x 1-5/8 x 16 Ga. |
| 34 | STD533712 | Bolt, Carriage 3/8-16 x 1-1/4 | 87 | 127845 | Keeper Spring |
| 35 | STD533720 | Bolt, Carriage 3/8-16 x 2 | 88 | 127847 | Arm Clutch Secondary |
| 36 | STD533710 | Bolt, Carriage 3/8-16 x 1 Gr. 5 | 89 | 140333 | Arm Clutch Primary |
| 37 | 137166 | Stiffener, Arm Idler | 90 | 128759 | Spring Clutch |
| 38 | 140365 | Keeper, Belt Idler | 91 | 127498 | Bushing |
| 39 | 131494 | Pulley, Idler Flat | 101 | 106513X | Washer Wear 16 Ga. Harden |
| 40 | 136572 | Pulley, Driven | -- | 143419 | Complete Mower (Standard Deck - Order separately all gauge wheel components) |
| 41 | STD551050 | Washer 17/32 x 1 x 16 Ga. | -- | 143651 | Mandrel Asm Servcie (Includes 8-10, 12-15, 31 and 33) |
| 42 | STD533107 | Bolt, Carriage 5/16-18 Unc x 3/4 | | | |
| 43 | 136460 | Arm, Idler Secondary | | | |
| 44 | 122052X | Spacer, Retainer | | | |
| 45 | STD541437 | Nut, Crownlock 3/8-16 Unc | | | |
| 46 | 74760628 | Bolt, Fin Hex 3/8-16 Unc x 1-3/4 | | | |

NOTE: All component dimensions given in U.S. inches
1 inch = 25.4 mm

REPAIR PARTS

TRACTOR -- MODEL NUMBER 917.251360

PEERLESS TRANSAXLE - MODEL NUMBER 820-016B



REPAIR PARTS

TRACTOR - - MODEL NUMBER 917.251360

PEERLESS TRANSAXLE - MODEL NUMBER 820-016B

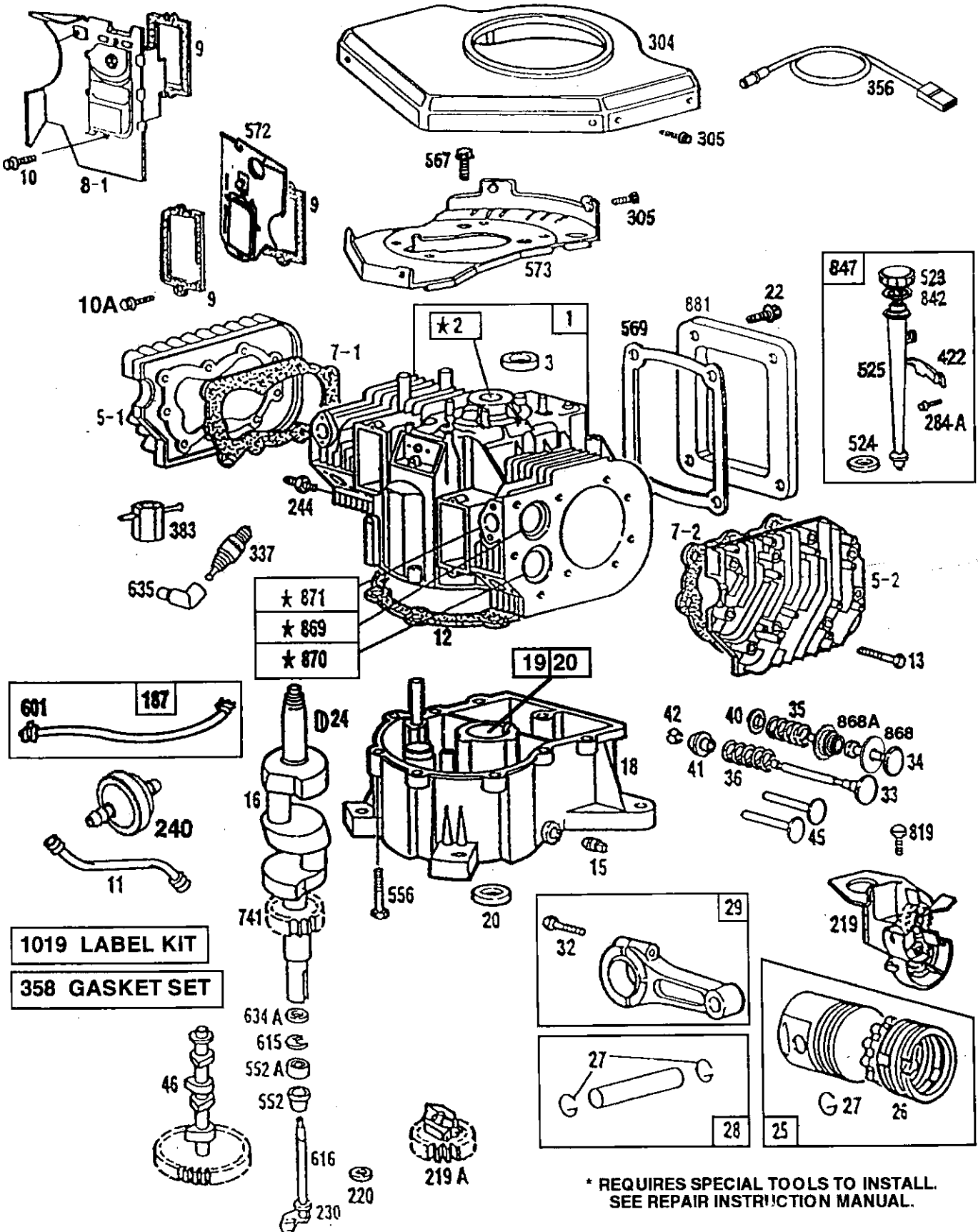
| REF PART NO. NO. | DESCRIPTION | REF PART NO. NO. | DESCRIPTION |
|------------------|-------------------------------------|------------------|---|
| -- 794513 | Transaxle, Complete | 53 778203A | Spur Gear, Steel, 22 Teeth (5-) |
| 1 772098A | Transaxle Cover | 54 778273 | Spur Gear, Steel, 19 Teeth (6-) |
| 2 780155 | Needle Bearing | 57 778199 | Spur Gear, Steel, 15 Teeth (2-) |
| 3 770088 | Transaxle Case | 58 778200 | Spur Gear, Steel, 20 Teeth (3-) |
| 4 776291 | Countershaft and 1. Gear, 9 Teeth | 59 778201 | Spur Gear, Steel, 25 Teeth (4-) |
| 5 776275 | Output Shaft | 60 778202 | Spur Gear, Steel, 28 Teeth (5-) |
| 6 778247 | Output Gear, Steel, 35 Teeth | 61 778208 | Spur Gear, Steel, 31 Teeth (6-) |
| 7 778253 | Spur Gear, Steel, 15 Teeth | 65 780139 | Washer |
| 8 792138 | Shift Key | 66 776274 | Input Shaft |
| 9 784216 | Shift Collar | 67 776313 | Shifter and Brake Shaft |
| 10 784342 | Shift Fork | 71 788069 | Square Cut Ring |
| 11 778246 | Bevel Gear, Steel, 33 Teeth | 71A 792145 | Pushnut |
| 12 778245 | Input Bevel Pinion, Steel, 13 Teeth | 72 792165 | Threaded Plug 9/16-18 |
| 13 778198 | Bevel Gear, Steel, 16 Teeth | 72A 788091 | "O" Ring |
| 14 778197 | Bevel Pinion, Steel, 10 Teeth | 79 792144 | Spring |
| 15 778248 | Ring Gear | 81 786081 | Roller Chain (Number 41 Chain, 24 Links) |
| 16 786027 | Drive Block | 82 786082 | Sprocket, 9 Teeth (Reverse) |
| 17 786019 | Drive Pin | 83 786123 | Sprocket, 18 Teeth (Reverse) |
| 18 786121 | Neutral Spacer, .350/.340 Thick | 84 786131 | Bearing Cap |
| 18A 786122 | Neutral Spacer, .276/.268 Thick | 87 788042 | Oil Seal 3/4 |
| 20 792077 | Steel Ball, 5/16" Diameter | 88 780119 | Ball Bearing |
| 21 792078 | Set Screw, 3/8-16 x 3/8" | 89 780050 | Ball Bearing |
| 22 792079 | Spring | 90 788067B | Grease, Bentonite, 32 Ounce Bottle |
| 24 780071 | Thrust Bearing | 96 780084 | Thrust Bearing |
| 25 792129 | Screw 5/16-18 x 1-1/4" | 97 780051 | Washer |
| 25A 792073 | Screw 1/4-20 x 1-1/4" | 98 780165 | Washer |
| 26 792018 | Retaining Ring | 99 788077 | "O" Ring |
| 27 792018 | Retaining Ring | 100 780166 | Cupped Washer |
| 28 788040 | Retaining Ring | 101 774833 | Differential Carrier |
| 29 780072 | Washer | 102 774834 | Differential Carrier |
| 30 780108 | Washer | 103 792020 | Screw 1/4-20 x 2-1/4 |
| 31 780128 | Washer | 104 792006 | Lock Washer |
| 31A 780107 | Washer | 105 780153 | Washer |
| 31B 780042 | Washer | 106 786144 | Sleeve |
| 36 790043 | Brake Disk | 107 780152 | Needle Bearing |
| 37 790007 | Brake Pad Plate | 108 780150 | Needle Bearing |
| 38 799021 | Brake Pad (Package of 2) | 109 792001 | "O" Ring |
| 39 786026 | Dowel Pin | 110 786142 | Sleeve |
| 40 792076A | Washer | 111 788071 | Square Cut Ring |
| 41 790047 | Brake Lever | 112 780168 | Needle Bearing |
| 42 792073 | Screw 1/4-20 x 1-1/4 | 113 786143 | Sleeve |
| 42A 792085A | Screw 1/4-20 x 2-1/4 | 114 780151 | Needle Bearing |
| 43 792075 | Locknut 5/16-24 | 115 786145 | Sleeve |
| 44 790025 | Brake Pad Holder | 116 788070 | Square Cut Ring |
| 45 786067 | Spacer | 117 780031 | Needle Bearing |
| 46 786086 | Brake Lever Bracket | 150 510334 | Gasket Eliminator (Loctite Number 515) |
| 47 774832 | Axle, 12-5/16" Long | | |
| 48 774831 | Axle, 16-3/16" Long | | |
| 49 778216A | Spur Gear, Steel, 41 Teeth (1-) | | |
| 50 778206A | Spur Gear, Steel, 35 Teeth (2-) | | |
| 51 778205A | Spur Gear, Steel, 30 Teeth (3-) | | |
| 52 778204A | Spur Gear, Steel, 25 Teeth (4-) | | |

Parts must be ordered from Tecumseh Products Co.
NOTE: All component dimensions given in U.S. inches
 1 inch = 25.4 mm

REPAIR PARTS

TRACTOR -- MODEL NUMBER 917.251360

ENGINE B&S - MODEL NUMBER 460777, TYPE NUMBER 1297-01

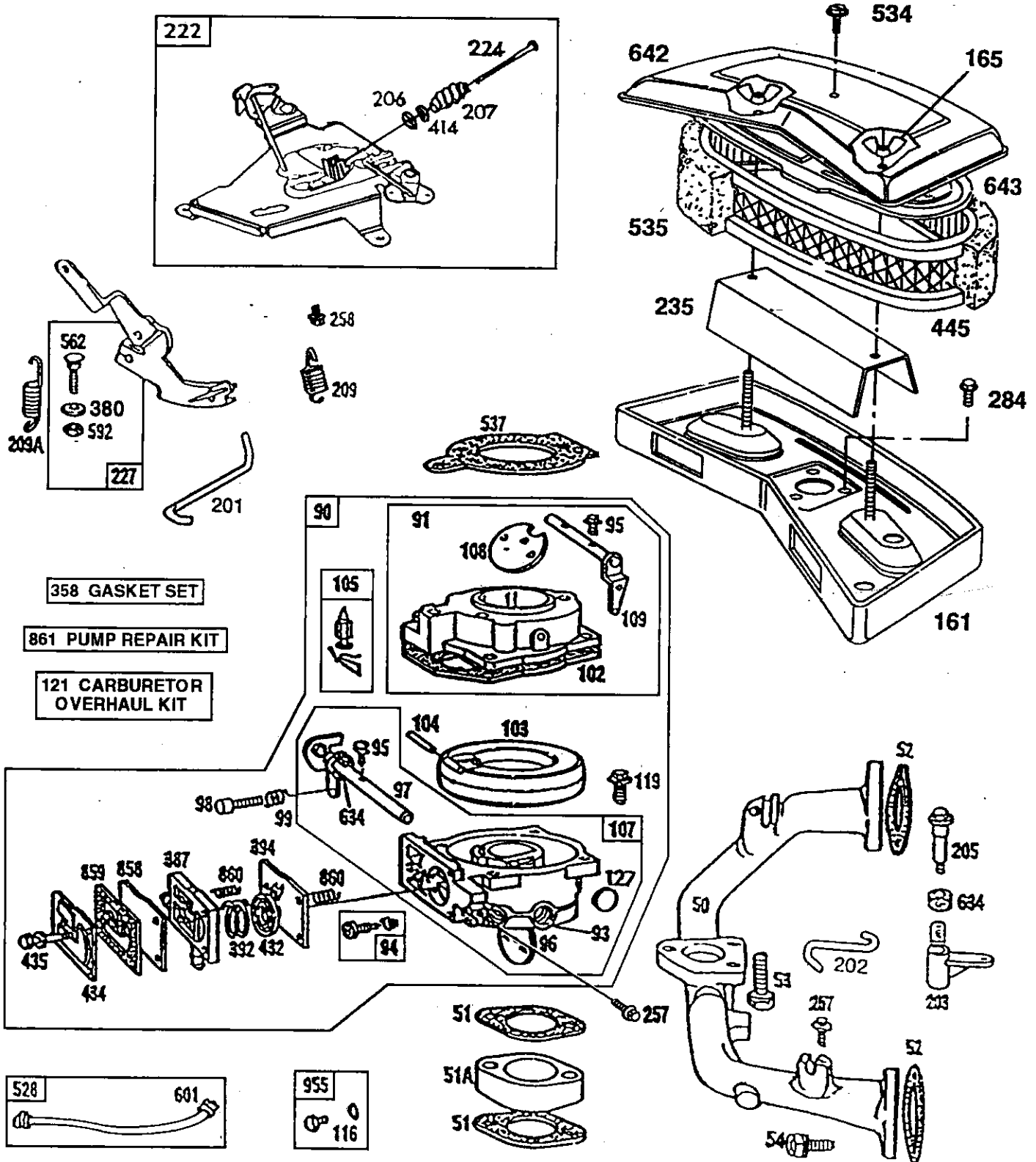


* REQUIRES SPECIAL TOOLS TO INSTALL.
SEE REPAIR INSTRUCTION MANUAL.

REPAIR PARTS

TRACTOR - - MODEL NUMBER 917.251360

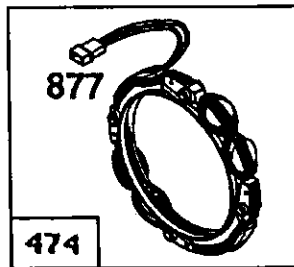
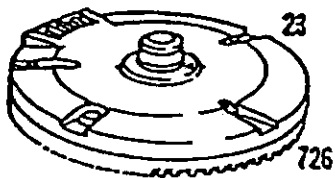
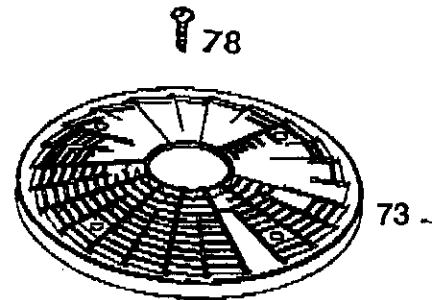
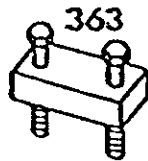
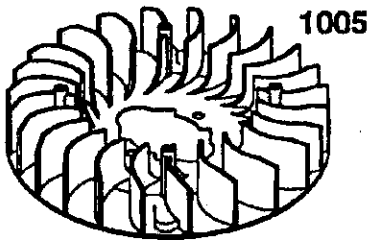
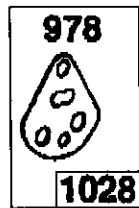
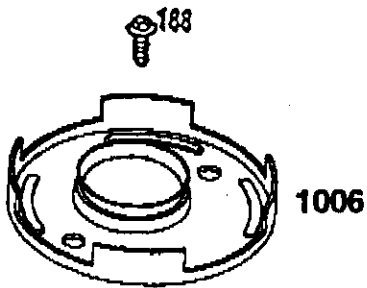
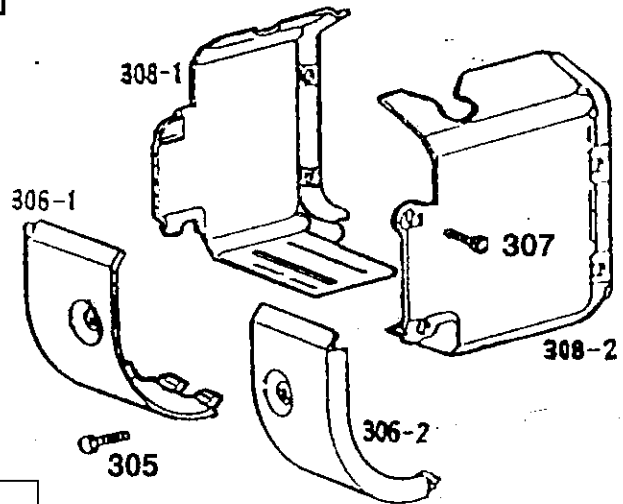
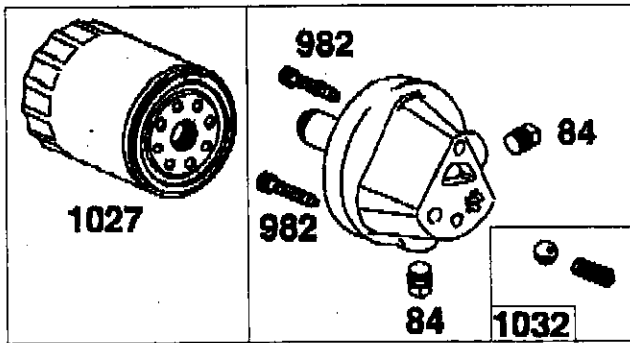
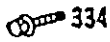
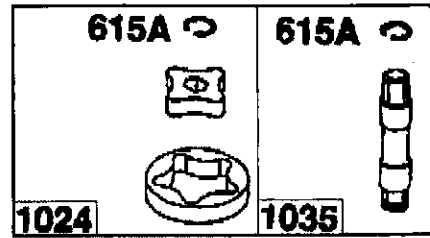
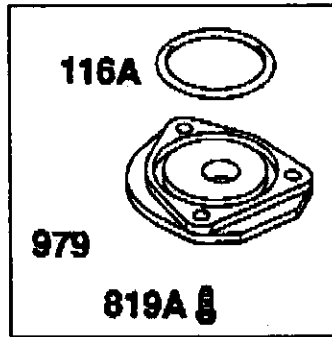
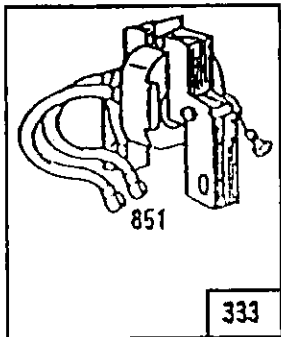
ENGINE B&S - MODEL NUMBER 460777, TYPE NUMBER 1297-01



REPAIR PARTS

TRACTOR -- MODEL NUMBER 917.251360

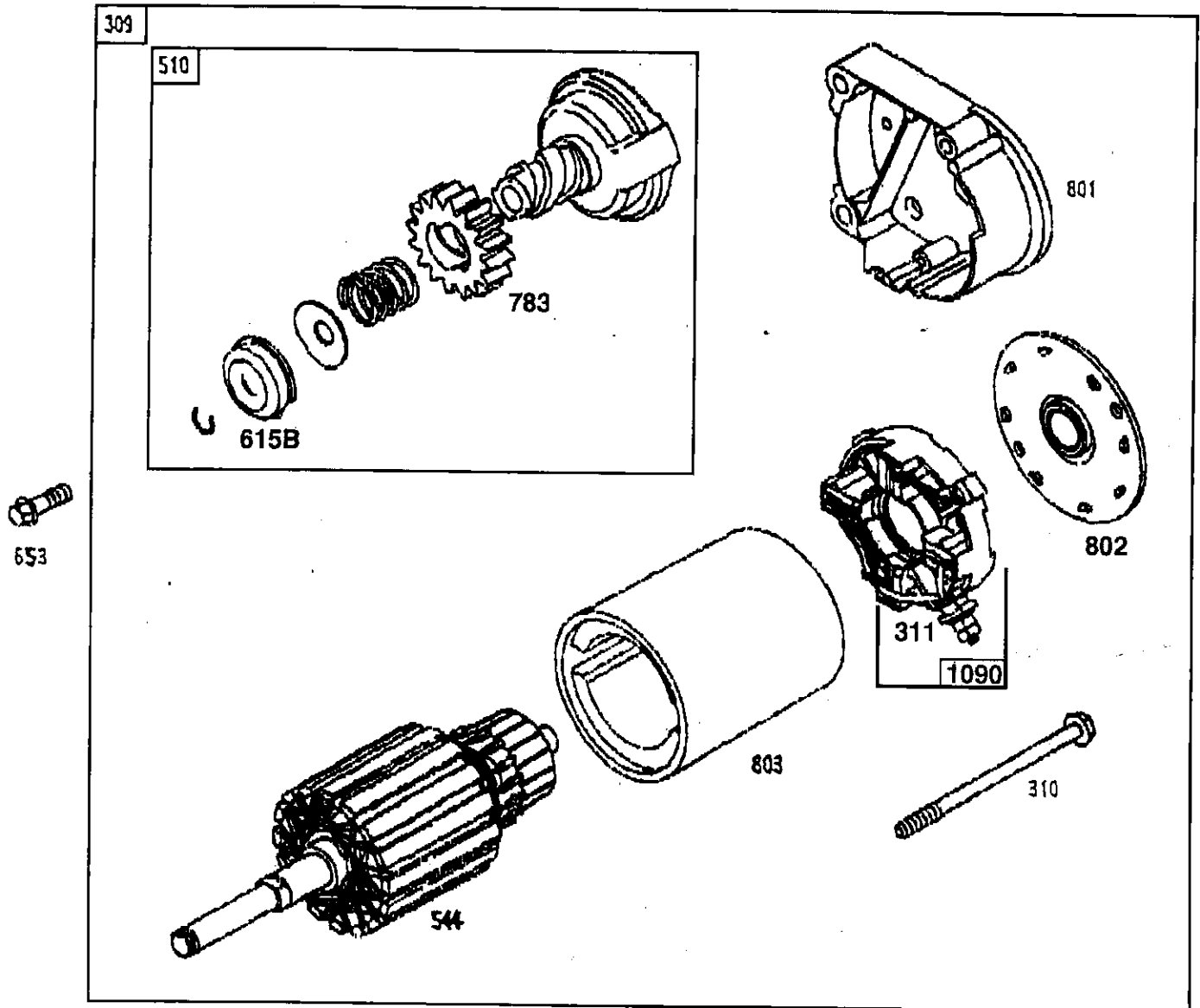
ENGINE B&S - MODEL NUMBER 460777, TYPE NUMBER 1297-01



REPAIR PARTS

TRACTOR - - MODEL NUMBER 917.251360

ENGINE B&S - MODEL NUMBER 460777, TYPE NUMBER 1297-01



REPAIR PARTS

TRACTOR - - MODEL NUMBER 917.251360

ENGINE B&S - MODEL NUMBER 460777, TYPE NUMBER 1297-01

| KEY PART NO. NO. | DESCRIPTION | KEY PART NO. NO. | DESCRIPTION |
|------------------|--|------------------|--|
| 1 498583 | Cylinder Assembly | 53 93970 | Screw, Sems, Carburetor Mounting |
| 2 397265 | Bearing, Cylinder | 54 93208 | Screw, Sems, Intake Manifold Mounting |
| 3 391086 | * Seal, Oil | 73 497908 | Screen, Rotating |
| 5-1 214517 | Head, Cylinder Number 1 | 75 222511 | Washer, Spring |
| 5-2 214518 | Head, Cylinder Number 2 | 78 95039 | Screw, Sems |
| 7-1 271867 | ***** Gasket, Cylinder Head Number 1 | 84 91488 | Plug, Pipe |
| 7-2 271868 | ***** Gasket, Cylinder Head Number 2 | 90 495009 | Carburetor Assembly |
| 8-1 495754 | Breather Assembly Number 1 | 91 495035 | Body Assembly, Upper Carburetor |
| 8-2 222892 | Cover, Breather, Cylinder Number 2 (Use with Key Number 572, Air Baffle with Mounting Holes) | 93 231209 | Bushing, Throttle Shaft |
| 9 27803 | ***** Gasket, Valve Cover | 94 491538 | ** Valve Assembly, Carburetor Idle |
| 10 94382 | Screw, Hex, Head | 95 93499 | Screw, Sems, Throttle and Choke Valve Mounting |
| 10A 94830 | Screw, Sems | 96 221939 | Valve, Throttle |
| 11 280225 | Tube, Breather | 97 393469 | Shaft and Lever, Throttle |
| 12 271703 | * Gasket, Crankcase Cover, 1/64" | 98 91920 | Screw, Machine, Fillister Head |
| 271188 | * Gasket, Crankcase Cover, .005" | 99 26157 | Spring, Throttle Adjustment |
| 271189 | * Gasket, Crankcase Cover, .009" | 102 271607 | ** Gasket, Carburetor Body |
| 13 94565 | Screw, Cylinder Head | 103 298514 | Float, Carburetor |
| 15 94239 | Plug, Oil Drain | 104 230896 | ** Pin, Float Hinge |
| 16 498129 | Crankshaft | 105 394683 | ** Valve, Fuel Inlet |
| 94196 | Key, Timing Gear | 107 491543 | Body, Lower Carburetor |
| 18 492575 | Base Assembly, Crankcase | 108 223534 | Valve, Choke |
| 20 291675 | * Seal, Oil | 109 392673 | Shaft and Lever, Choke |
| 22 94724 | Screw, Sems, Crankcase Cover Mounting | 116 280474 | O-Ring |
| 23 491180 | Flywheel and Ring Gear Assembly, Magneto | 119 94152 | Screw, Sems, Hex Head |
| 24 222698 | Key, Flywheel | 121 491539 | Carburetor Overhaul Kit |
| 25 498584 | Piston Assembly, Standard Size | 127 223472 | Plug, Welch |
| 498585 | Piston Assembly, .010" Oversize | 161 496599 | Body, Air Cleaner |
| 498586 | Piston Assembly, .020" Oversize | 165 94289 | Nut, Wing |
| 498587 | Piston Assembly, .030" Oversize | 187 299146 | Line, Fuel, 28" (Cut to Suit) |
| 26 394959 | Ring Set, Piston, Standard Size | 188 94627 | Screw, Hex Head |
| 394960 | Ring Set, Piston, .010" Oversize | 201 262683 | Link, Governor |
| 394961 | Ring Set, Piston, .020" Oversize | 202 262684 | Link, Throttle |
| 394962 | Ring Set, Piston, .030" Oversize | 203 280997 | Crank, Bell |
| 27 263129 | Lock, Piston Pin | 205 93971 | Screw, Shoulder |
| 28 498319 | Pin Assy., Piston, Standard Size | 206 94298 | Nut, Square |
| 29 498314 | Rod Assembly, Connecting | 207 262337 | Spring, Compression |
| 32 95017 | Screw, Connecting Rod | 209 262352 | Spring, Governor |
| 33 390420 | Valve, Exhaust | 209A 261563 | Spring, Governor Idle |
| 34 263137 | Valve, Intake | 219 393415 | Oil Slinger Assembly |
| | Uses: 393606 Seal Assembly and Retainer (Key Number 868) | 219A 394348 | Gear, Governor |
| 35 65906 | Spring, Intake Valve | 220 222773 | Washer, Thrust |
| 36 26828 | Spring, Exhaust Valve | 222 491282 | Plate Assembly, Governor Control |
| 40 221596 | Retainer, Intake Valve | | * Included in Gasket Set (495868) |
| 41 292260 | Rotocoil, Exhaust Valve | | ** Included in Carburetor Overhaul Kit (491539) |
| 42 494553 | Retainer, Exhaust Valve Rotocoil(2) | | *** Included in both Gasket Set (495868), and Carburetor Overhaul Kit (491539) |
| 45 261368 | Tappet, Valve | | **** Included in both Carburetor Overhaul Kit (491539), and Pump Repair Kit (393397) |
| 46 214287 | Gear, Cam | | ***** Included in valve overhaul Gasket set (498047) |
| 50 213290 | Manifold, Intake | | |
| 51 271412 | *** Gasket, Carburetor & Intake Elbow | | |
| 51A 281411 | Spacer, Carburetor | | |
| 52 270884 | ***** Gasket, Intake Manifold Mounting | | |

NOTE: All component dimensions given in U.S. inches
1 inch = 25.4 mm

REPAIR PARTS

TRACTOR - - MODEL NUMBER 917.251360

ENGINE B&S - MODEL NUMBER 460777, TYPE NUMBER 1297-01

| KEY PART NO. NO. | DESCRIPTION | KEY PART NO. NO. | DESCRIPTION |
|------------------|--|------------------|--|
| 224 94297 | Screw, Pan Head | 615A 94900 | Retainer, E-Ring |
| 227 491297 | Lever Assembly, Governor | 615B 263080 | Retainer |
| 230 223882 | Washer, Governor Crank, Inside | 616 491530 | Crank, Governor |
| 235 224995 | Shield, Spitback | 634 271013 | ** Washer, Throtte Shaft |
| 240 394358 | Filter, Fuel (In Fuel Line to Tank) | 634A 491287 | * Seal, Governor Shaft |
| 244 230318 | Connector, Impulse Pump | 635 66538 | Elbow, Spark Plug |
| 257 93897 | Screw, Sems | 642 225008 | Cover, Air Cleaner |
| 258 94623 | Screw, Sems | 643 496700 | Cartridge Plate, Air Cleaner |
| 267 93897 | Screw, Hex Head | 653 93585 | Screw, Hex Head |
| 284 94264 | Screw, Hex Head | 726 391362 | Gear, Flywheel Ring (Includes Mounting Parts) |
| 284A 94910 | Screw, Hex Head | 741 262989 | Gear, Timing |
| 304 495587 | Housing, Blower | 801 394860 | Cap, Drive |
| 305 94786 | Screw, Sems | 802 497607 | Cap, End |
| 306-1 222846 | Shield, Cylinder | 803 497604 | Housing, Starter |
| 306-2 223734 | Shield, Cylinder | 819 94675 | Screw, Hex Head |
| 308-1 224774 | Cover, Air Guide | 819A 94410 | Screw, Hex Head |
| 308-2 224775 | Cover, Air Guide | 842 270920 | * Seal, Oil Filler Cap |
| 309 497596 | Motor, Starter | 847 495715 | Dipstick and Tube Assembly |
| 310 94003 | Bolt, Thru | 851 493880 | Terminal, Ignition Cable |
| 311 497608 | Brush set | 858 270989 | **** Diaphragm, Damping |
| 332 230674 | Nut, Hex | 859 271025 | **** Gasket, Carburetor Pump |
| 333 394891 | Armature Group, MAGNETRON® Ignition | 860 261358 | **** Spring (2) |
| 334 93381 | Screw, Sems, Armature Mounting | 861 393397 | Repair Kit, Pump |
| 337 802592 | Plug, Spark, Resistor (with Gasket) | 868 273312 | Seal, Intake Valve |
| 356 494705 | Wire, Ground | 868A 497656 | Seal, Intake Valve |
| 358 495868 | Gasket Set | 869 261463 | Seat, Intake Valve, Standard |
| 363 19203 | Puller, Flywheel (Optional Accessory) | 870 213316 | Seat, Exhaust Valve, Standard |
| 380 62199 | Washer | 871 261961 | Guide, Exhaust Valve |
| 383 89838 | Wrench, Spark Plug | | Guide, Intake Valve (See Manual) |
| 387 280197 | Body, Pump | 877 393456 | Connector Assembly, Dual-Circuit |
| 392 261395 | **** Spring, Pump | 881 495901 | Cover Plate, Crankcase (Includes Gasket - Key #569) |
| 394 272638 | **** Diaphragm | 955 397882 | Plug and Seal, Solenoid |
| 414 220680 | Washer | 978 272060 | * Gasket, Adapter |
| 422 222875 | Clamp, Oil Filler | 979 492197 | Cover, Oil Pump |
| 432 221377 | **** Cap, Spring | 982 94362 | Screw, Hex Head |
| 434 223688 | Cover, Diaphragm | 1005 281544 | Fan, Flywheel |
| 435 93829 | Screw, Diaphragm Cover | 1006 224901 | Retainer, Fan |
| 445 394019 | Cartridge, Air Cleaner | 1024 492196 | Pump, Oil |
| 474 393474 | Stator, Alternator, Dual-Circuit | 1027 492932 | Filter, Oil |
| 482 93621 | Screw, Sems | 1028 491721 | Starter, Oil Filter |
| 510 497606 | Drive, Starter | 1032 491710 | Ball, Oil Pump |
| 523 494927 | Cap and Dipstick, Oil Filler | 1035 492509 | Shaft, Pump |
| 524 280860 | * Seal, Filler Tube | 1090 497605 | Retainer, Brush |
| 525 495348 | Tube, Oil Filler | | |
| 528 393815 | Impulse Line and Clamp Assembly | | |
| 534 94823 | Screw, Round Head | | |
| 535 272490 | Element, Air Cleaner | | |
| 537 271411 | *** Gasket, Air Cleaner | | |
| 544 497603 | Armature, Starter | | |
| 552 262332 | Lower Bushing, Governor | | |
| 552A 262331 | Upper Bushing, Governor | | |
| 556 93585 | Screw, Sems, Hex Head | | |
| 562 93853 | Bolt, Governor Lever | | |
| 567 94811 | Screw, Hex Hd, Back Plate to Cylinder | | |
| 569 272645 | * Gasket, Crankcase | | |
| 572 224816 | Baffle, Air, Cylinder Number 2 | | |
| 573 491304 | Back Plate Assembly | | |
| 592 92278 | Nut, Hex | | |
| 601 93053 | Clamp, Fuel Line | | |
| 615 94296 | Retainer, E-Ring | | |

RPM Settings: Low: 1100-1400, High: 3200-3400

- * Included in Gasket Set (495868)
- ** Included in Carburetor Overhaul Kit (491539)
- *** Included in both Gasket Set (495868), and Carburetor Overhaul Kit (491539)
- **** Included in both Carburetor Overhaul Kit (491539), and Pump Repair Kit (393397)
- ***** Included in valve overhaul Gasket set (498047)

NOTE: All component dimensions given in U.S. inches
1 inch = 25.4 mm

CRAFTSMAN®