



REPAIR PARTS MANUAL
MODEL NO. 252750
Lawn Tractor

CRAFTSMAN®

HOW TO USE THIS MANUAL

This manual is designed to provide the customer with a means to identify the parts on his/her tractor when ordering repair parts. The illustrations may or may not represent the actual assemblies; therefore, it is not recommended to use this manual as a guide to assemble or disassemble the tractor. Some hardware and parts are drawn larger in order to more readily identify them.

Each tractor has its own model number.

The model number for your tractor can be found on the fender under the seat.

When ordering parts, always give the following information:

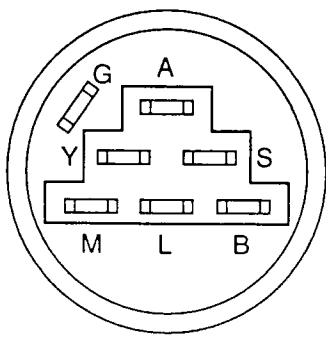
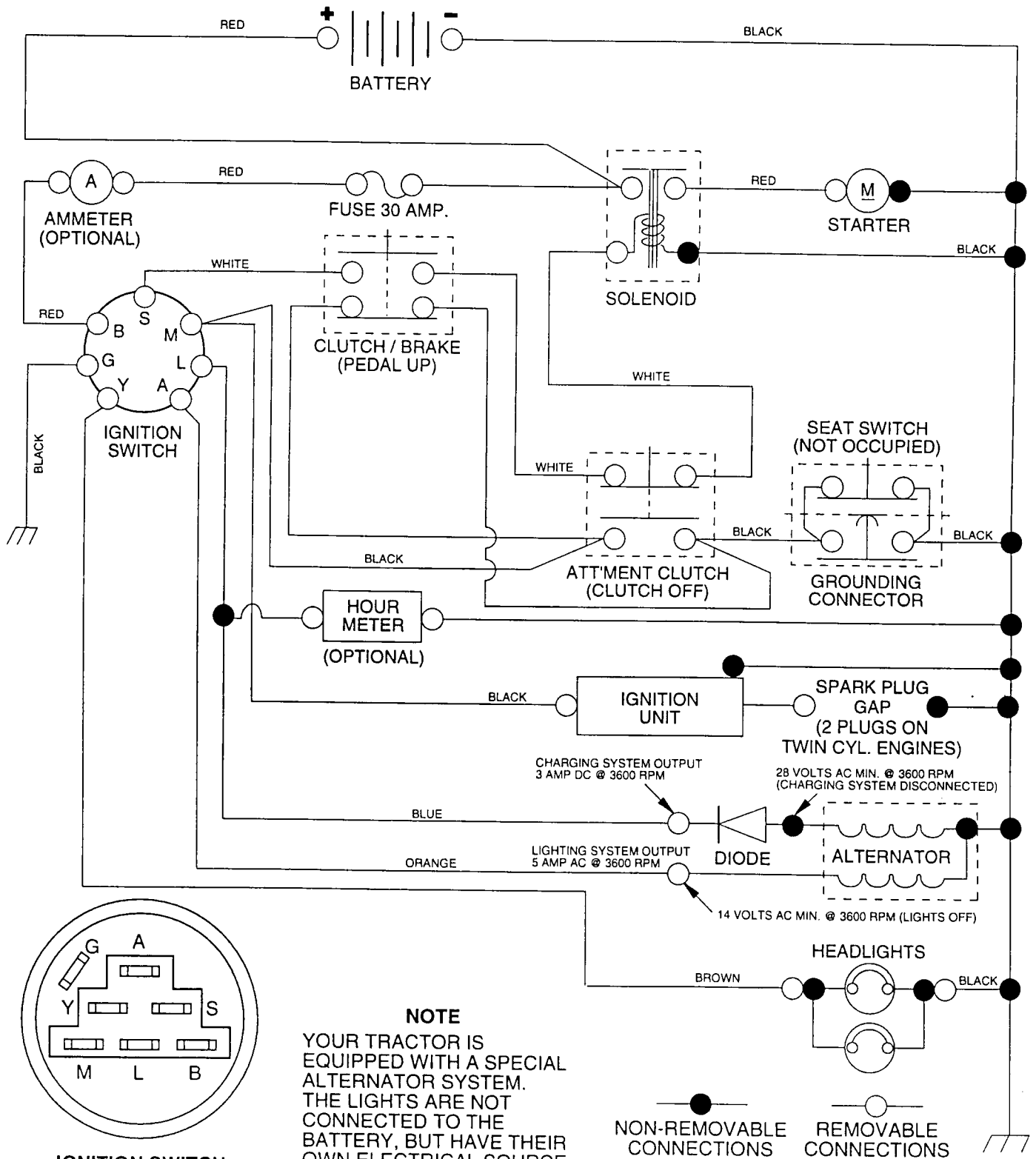
- Product - "Tractor"
- Model Number - "252750"
- Part Number
- Part Description

TABLE OF CONTENTS

SCHEMATIC	3
ELECTRICAL	4-5
CHASSIS	6-7
DRIVE	8-9
STEERING WHEEL	10-11
SEAT	12
DECALS	13
ENGINE	14
MOWER LIFT LEVER	15
MOWER DECK	16-17
TRANSAXLE	18-19

TRACTOR - - MODEL NUMBER 917.252750

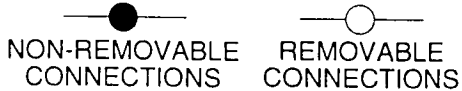
SCHEMATIC



IGNITION SWITCH

POSITION	CIRCUIT	"MAKE"
OFF	G + M + L	NONE
RUN/LIGHT	B + L	A + Y
RUN	B + L	NONE
START	B + L + S	NONE

NOTE
 YOUR TRACTOR IS EQUIPPED WITH A SPECIAL ALTERNATOR SYSTEM. THE LIGHTS ARE NOT CONNECTED TO THE BATTERY, BUT HAVE THEIR OWN ELECTRICAL SOURCE. BECAUSE OF THIS, THE BRIGHTNESS OF THE LIGHTS WILL CHANGE WITH ENGINE SPEED. AT IDLE THE LIGHTS WILL DIM. AS THE ENGINE IS SPEEDED UP, THE LIGHTS WILL BECOME THEIR BRIGHTEST.

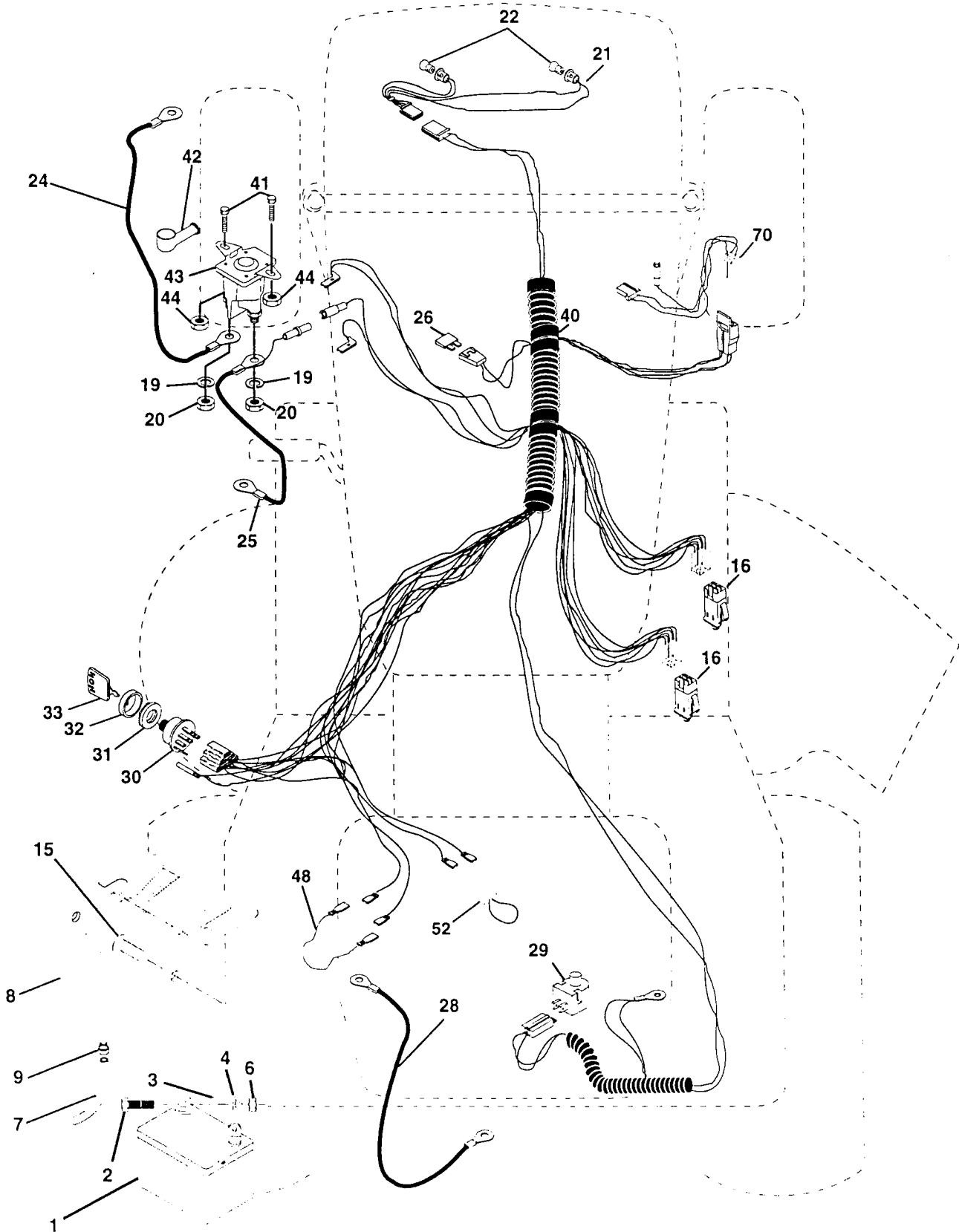


WIRING INSULATED CLIPS
NOTE: IF WIRING INSULATED CLIPS WERE REMOVED FOR SERVICING OF UNIT, THEY SHOULD BE REPLACED TO PROPERLY SECURE YOUR WIRING.

REPAIR PARTS

TRACTOR -- MODEL NUMBER 917.252750

ELECTRICAL



REPAIR PARTS

TRACTOR - - MODEL NUMBER 917.252750

ELECTRICAL

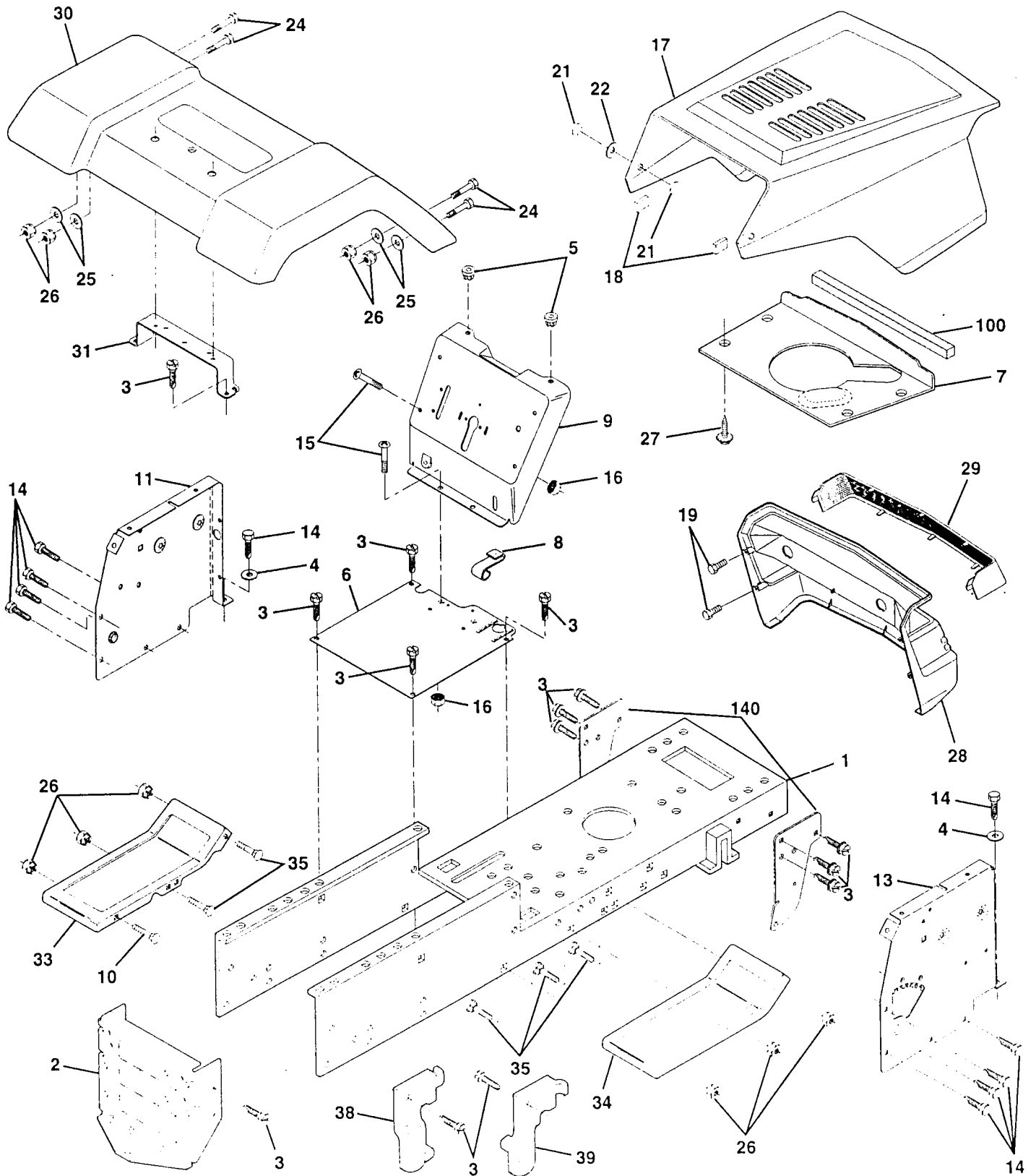
KEY NO.	PART NO.	DESCRIPTION
1	144925	Battery 12 Volt 25 AMP
2	74760412	Bolt Hex Hd 1/4-20unc X 3/4
3	STD551025	Washer 9/32 X 5/8 X 16 Ga
4	STD551125	Washer Lock Hvy Helical 1/4
6	STD541025	Nut Fin Hex 1/4-20 Unc
7	109238X	Tube Plastic 12"
8	146417	Case Battery Mech Hinge
9	109596X	Clamp Hose Olive
15	147688	Fastener Snap- in
16	153664	Switch Interlock Push-In
19	STD551125	Washer Lock 1/4
20	73350400	Nut Jam Hex 1/4-20 Unc
21	136850	Harness Asm Light W/4152j
22	4152J	Bulb Light #1156
24	4799J	Cable Battery 6 Ga 11" red
25	146147	Cable Battery 6 Ga red w/16 Wire
26	108824X	Fuse 30 AMP Auto Green
28	4207J	Cable Ground 6 Ga 12" black
29	121305X	Switch Plunger Nc Gray
30	140301	Switch Ign 4 pos
31	124211X	Nut Ignition
32	141226	Cover Sw Key Blk 1 25 Text SLT
33	109310X	Key Ign Molded Craftsman
40	156442	Harness Ign Man CL AM HM 97
41	71110408	Bolt Blk. Fin Hex 1/4-20 Unc x 1/2
42	131563	Cover Terminal Red
43	145673	Solenoid
44	73640400	Nut Keps Blk Hx 1/4-20 Unc
48	140844	Adapter Ammeter Rectangular
52	141940	Protection Wire Loop
70	140413	Harness Engine B&S5

NOTE: All component dimensions give in U.S. inches
1 inch = 25.4 mm

REPAIR PARTS

TRACTOR - - MODEL NUMBER 917.252750

CHASSIS AND ENCLOSURES



REPAIR PARTS

TRACTOR - - MODEL NUMBER 917.252750

CHASSIS AND ENCLOSURES

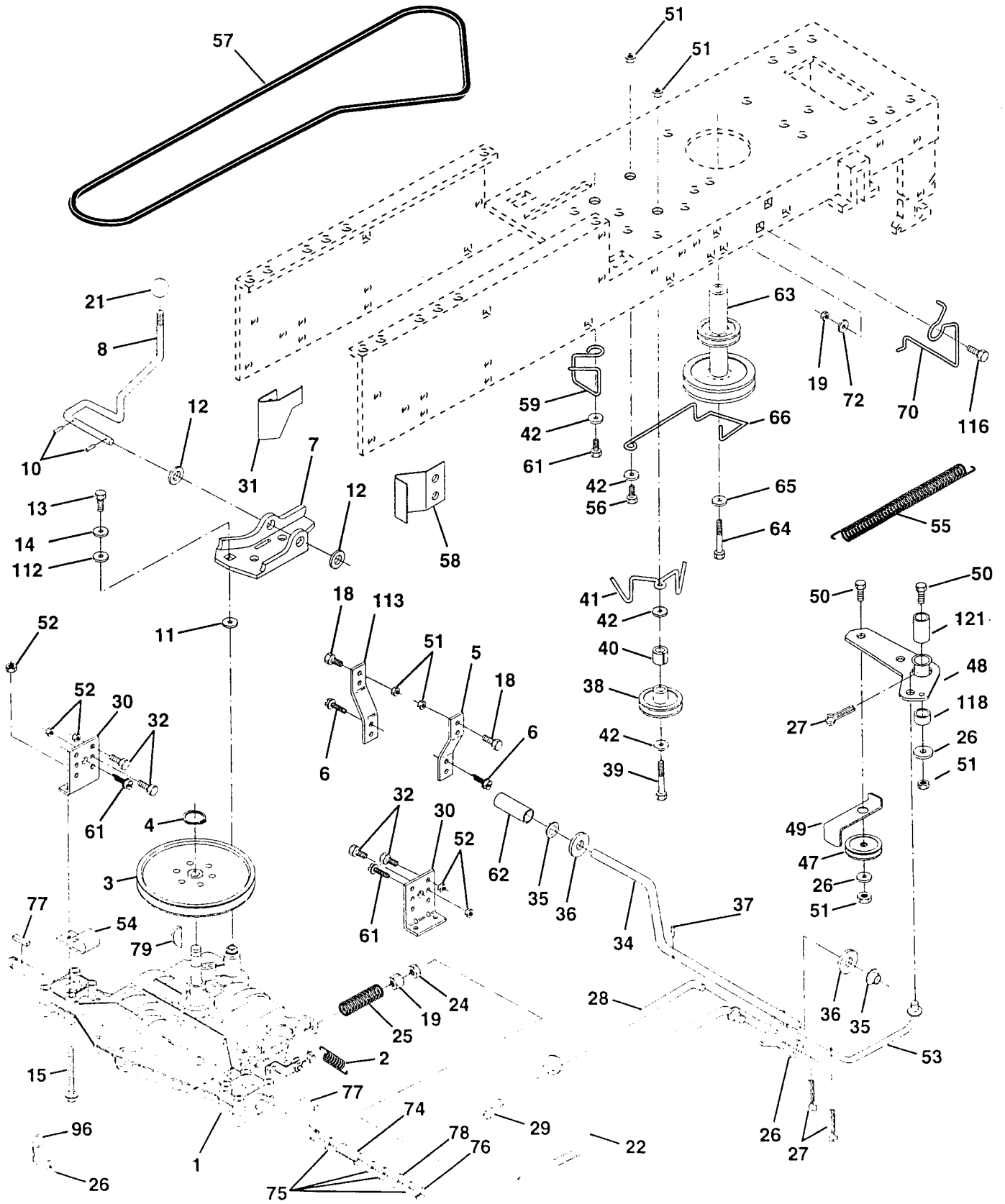
KEY NO.	PART NO.	DESCRIPTION
1	155051	Chassis Weldment
2	140356	Drawbar Stretch
3	17490612	Screw Thdrol 3/8-16x3/4 Ty-tt
4	STD551025	Washer 13/32 x 3/4 x 16 Ga.
5	155272	Bumper Hood/Dash
6	155924X011	Saddle Silks Flat LT 5Sp Peer
7	124027X	Heat Shield Sloped Hood
8	155138	Clip Retainer Slide On
9	156272X010	Dash Silkscreened
10	STD533710	Bolt Rdhd Sqnk 3/8-16 Unc x 1
11	155927	Panel Pnt Dash Lh
13	155934X010	Panel Silkscr Dash Rh Weldment
14	17490608	Screw Thdrol 3/8-16x1/2 Ty-tt
15	74180512	Screw Mach Trhd 5/16-18uncx3/4
16	STD541431	Nut Keps 5/16-18 Unc
17	154988X417	Hood Asm Pnt
18	126938X	Bumper Hood
19	17521312	Screw Sltd Hex Hd w/Pl Washer
21	122933X	Rivet Ratchet Nylon
22	124479X	Washer Nylon Blk 28x 75x 19
24	STD523710	Bolt Fin Hex 3/8-16unc X 1
25	19131312	Washer 13/16 X 13/16 X 12 Ga
26	STD541437	Nut Lock 3/8-16 Unc
27	17030814	Screw Hex Head, Spiderlock #8 x 7/8
28	140135	Grille Gray
29	124029X	Lens Headlight Bar Clear
30	109872X417	Fender Pnt
31	136619	Bracket Pnt Fender
33	105476X417	Footrest Pnt Lh Perf
34	105475X417	Footrest Pnt Rh Perf
35	STD533707	Bolt Rdhd Sht Sqnk 3/8-16 X3/4
38	139886	Bracket Asm. Pivot, L.H., Mower Rear
39	139887	Bracket Asm. Pivot, R.H., Mower Rear
100	105037X	Strip, Foam 18"
140	158418	Bracket Chassis Front 7 Ga.
--	5479J	Plug Button Blk 359 Dia

NOTE: All component dimensions given in U.S. inches
1 inch = 25.4 mm

REPAIR PARTS

TRACTOR - - MODEL NUMBER 917.252750

DRIVE



REPAIR PARTS

TRACTOR - - MODEL NUMBER 917.252750

DRIVE

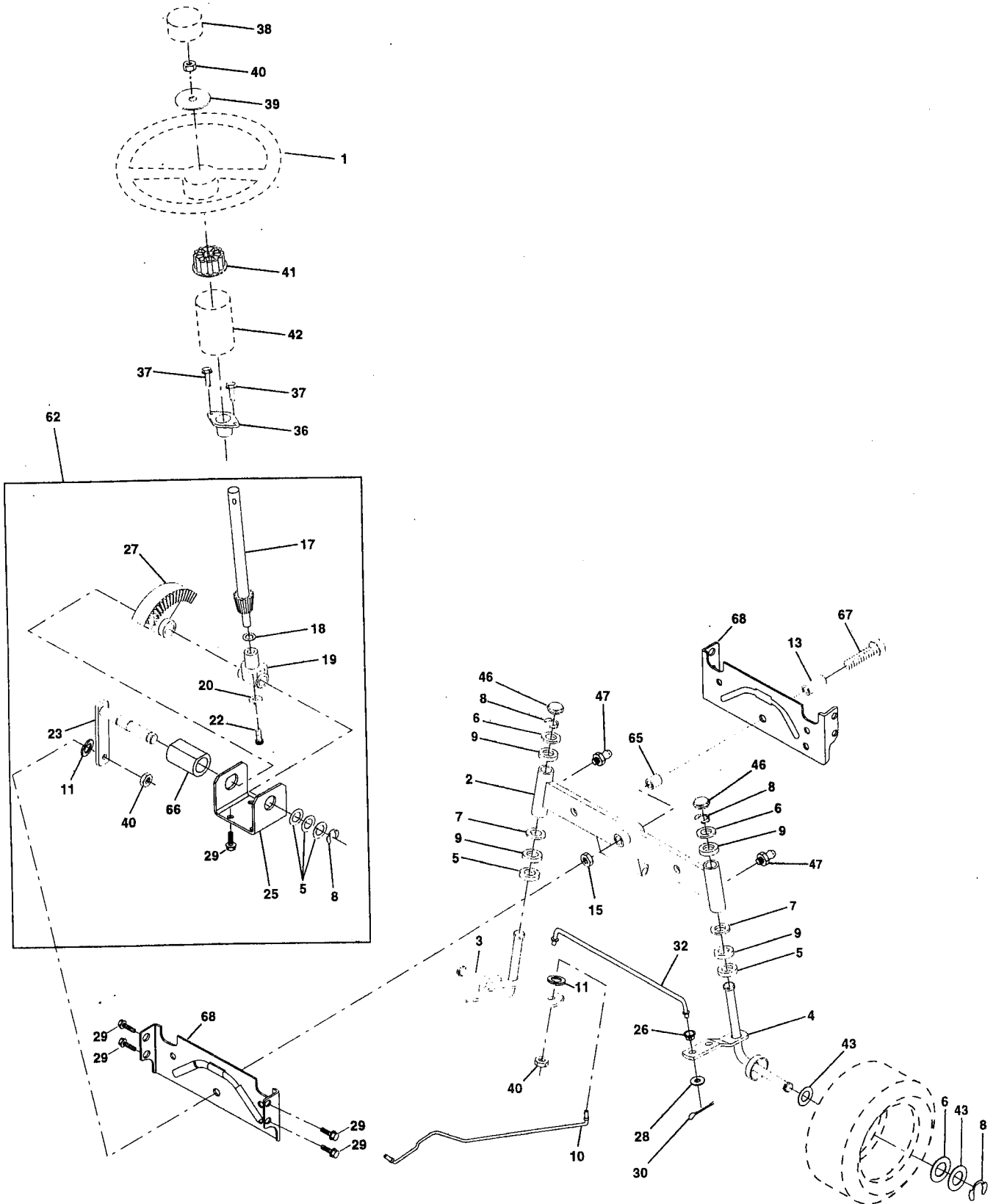
KEY NO.	PART NO.	DESCRIPTION	KEY NO.	PART NO.	DESCRIPTION
1	-----	Transaxle (See Breakdown)	42	19131312	Washer 13/32 X 13/16 X 12 Ga
		Peerless 930-054A	47	127783	Pulley Idler V Groove Plastic
2	146682	Spring Return Brake T/a Zinc	48	154604	Bellcrank Asm Clutch
3	123666X	Pulley Transaxle Alum	49	123205X	Retainer Belt Style Spring
4	12000028	Ring Retainer # 5100-62	50	STD523715	Bolt Hex Hd 3/8-16unc X 1-1/2
5	121520X	Strap Pnt Torque 30 Deg Blk	51	STD541437	Nut Crownlock 3/8-16 Unc
6	17490512	Screw Thdrol 5/16-18 X 3/4 Tyt	52	STD541431	Nut Lock 5/16-18 Unc
7	130802	Plate Pnt Rod Shift T/a (blk)	53	105710X	Link Clutch 7 66
8	131679	Rod Shifter Blk	54	2751R	Clip Line Fuel
10	STD561210	Pin Cotter 1/8 X 1 Cad	55	105709X	Spring Return Clutch 6 75
11	105701X	Washer Plate Shf 388 Sq Hole	56	STD523712	Bolt Fin Hex 3/8-16unc X 1-1/4
12	19151216	Washer 15/32 X 3/4 X 16ga	57	130801	V-belt Ground Drive 95.25
13	74550412	Bolt 1/4-28unf Gr8 w/Patch	58	127274X	Keeper Belt Rh Lt Pnt/zinc 16g
14	STD551125	Washer Lock Hvy Helical 1/4	59	140312	Retainer Belt Chassis Lh Zinc
15	74490544	Bolt Hex FLGHD 5/16-18 Gr.5	61	17490612	Screw Thdrol 3/8-16x3/4 Ty-tt
18	STD523710	Bolt Fin Hex 3/8-16 Unc x 1 Gr. 5	62	8883R	Cover Pedal Blk Std
19	STD541437	Nut Lock 3/8-16 Unc	63	140186	Pulley Engine
21	106933X	Knob Rd 1/2-13 Plstc Thds Blk	64	71170764	Bolt Finhex 7/16-20 x 4 g5
22	130804	Rod Brake Lt	65	STD551143	Washer Lock Hvy Hlcl Spr 7/16
24	STD541237	Nut Hex Jam 3/8-16 Unc	66	154778	Keeper Belt Engine Fool Proof
25	106888X	Spring Rod Brake 2 00 Zinc	70	134683	Guide Belt Dr Mower Rh
26	STD551037	Washer 13/32 X 13/16 X 16 Ga	72	19132012	Washer 13/32 X 1-1/4 X 12 Ga
27	STD561210	Pin Cotter 1/8 X 3/4 Cad	74	137057	Spacer Axle
28	145204	Rod Brake Parking Lt/Yt	75	121749X	Washer 25/32 X 1 1/4 X 16 Ga
29	124236X	Cap Parking Brake Red	76	STD581075	Ring E #5133-75
30	130807	Bracket Transmission	77	123583X	Key Square 2 0 X 1845/ 1865
31	127275X	Keeper Belt Lh Lt 14 Ga	78	121748X	Washer 25/32 X 1 5/8 X 16ga
32	STD523107	Bolt Fin Hex 5/16-18 x 3/4	79	2228M	Key Woodruff
34	155071	Shaft Asm Pedal Foot	96	STD624003	Retainer Spring
35	120183X	Bearing Nylon Blk 629 Id	112	19091210	Washer 9/32 X 3/4 X 10 Ga
36	STD551062	Washer 21/32 X 1 X 16 Ga	113	127285X	Strap Torque Lt
37	STD571810	Pin Roll 3/16 X 1"	116	72110610	Bolt Rdhd Sqnk 3/8-16 x 1.25
38	123674X	Pulley Idler Flat	118	154774	Spacer Bellcrank
39	STD523727	Bolt Fin Hex 3/8-16unc X 2-3/4	121	154419	Nyliner Clutching SLT
40	4470J	Spacer Split 395 X 59 Bzp			
41	154777	Keeper Belt Idler Fool Proof			

NOTE: All component dimensions given in U.S. inches
1 inch = 25.4 mm

REPAIR PARTS

TRACTOR - - MODEL NUMBER 917.252800

STEERING ASSEMBLY



REPAIR PARTS

TRACTOR - - MODEL NUMBER 917.252750

STEERING ASSEMBLY

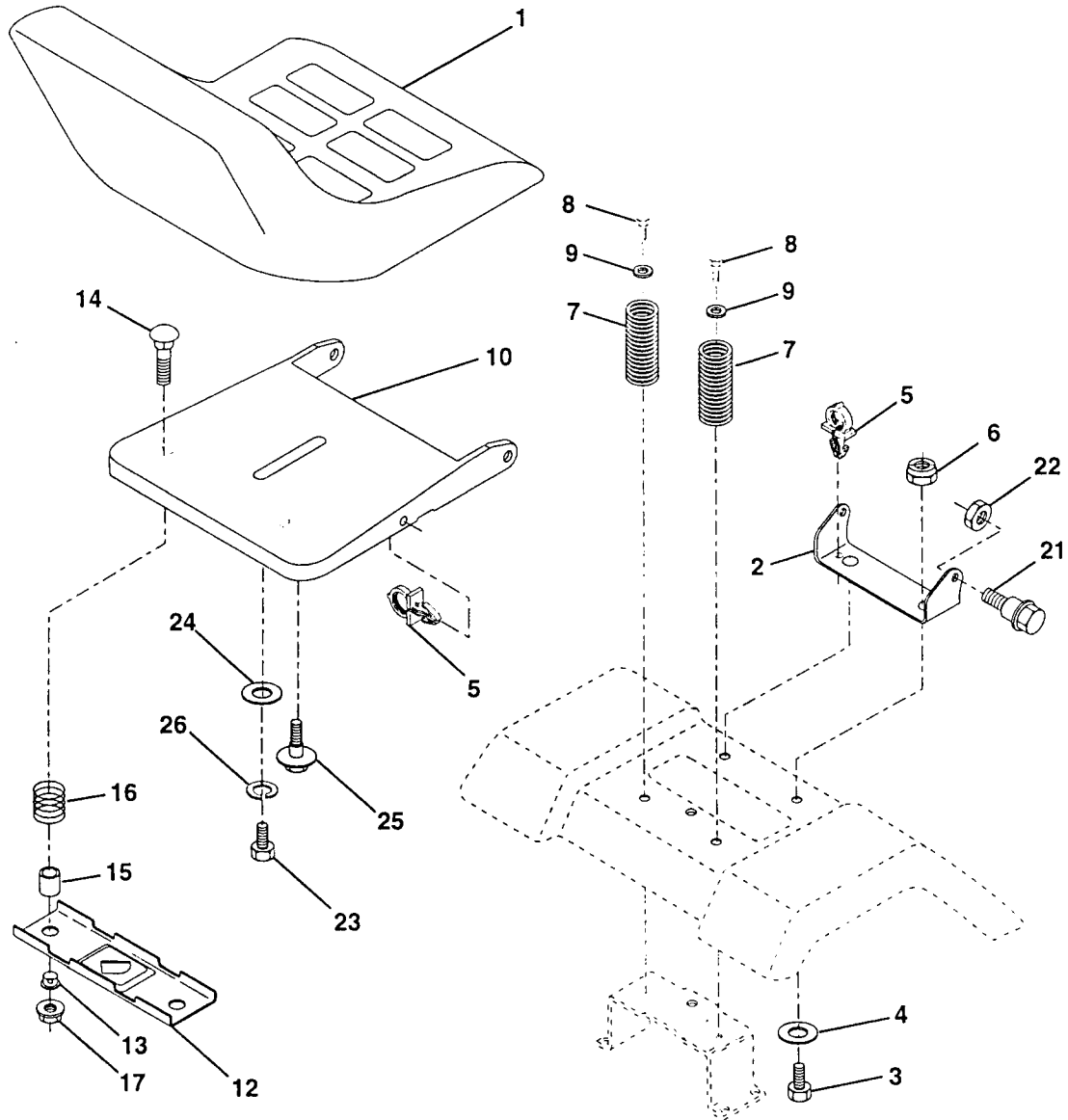
KEY NO.	PART NO.	DESCRIPTION
1	139768	Steering Wheel
2	154427	Axle Assembly STMP Dropped STL
3	154422	Spindle Assembly, L.H.
4	154423	Spindle Assembly, R.H.
5	6266H	Bearing, Race, Thrust, Hardened
6	121748X	Washer 25/32 x 1-5/8 x 16 Gauge
7	19272016	Washer 27/32 x 1-1/4 x 16 Gauge
8	12000029	Ring, Klip
9	3366R	Bearing, Steering Column
10	156438	Draglink Extended Stamped
11	STD551137	Washer, Lock
13	154779	Bearing Axle STLT/GT
15	73901000	Nut, Lock, Flange 5/8-11 UNC
17	156545	Shaft Assembly, Steering
18	57079	Washer, Thrust .515 x .750 x .033
19	124035X	Support, Shaft
20	126684X	Washer, Shim 1/4 x 5/8 x .062
22	71200410	Screw, Hex Socket Head 1/4-20 x 5/8
23	127501	Pittman Shaft Assembly
25	154406	Bracket, Steering
26	126847X	Bushing, Link, Drag
27	136874	Gear, Sector
28	19131416	Washer 13/32 x 7/8 x 16 Gauge
29	17490612	Screw, Thd., Roll. 3/8-16 x 3/4
30	STD561210	Pin
32	130465	Rod, Tie
36	155099	Bushing, Steering
37	152927	Screw
38	139769	Cap, Steering Wheel
39	19133808	Washer 13/32 x 2-3/8 x 8 Gauge
40	STD541537	Gripco Nut
41	104820X	Adaptor, Steering Wheel
42	124417X	Boot, Steering Shaft
43	121749X	Washer 25/32 x 1-1/4 x 16 Gauge
46	121232X	Cap, Spindle
47	6855M	Fitting, Grease
62	156593	Kit Steering Asm Service
65	154780	Spacer Axle
66	154404	Bearing Arm Pittman
67	74781044	Bolt, Fin Hex 5/8-11 UNC x 2-3/4
68	154429	Axle, Brace

NOTE: All component dimensions given in U.S. inches
1 inch = 25.4 mm

REPAIR PARTS

TRACTOR - - MODEL NUMBER 917.252750

SEAT ASSEMBLY



KEY NO.	PART NO.	DESCRIPTION
1	151205	Seat V350
2	140551	Bracket Pnt Pivot Seat (blk)
3	STD523710	Bolt Fin Hex 3/8-16unc X 1
4	19131610	Washer 13/32 X 3/4 X 10 Ga
5	145006	Clip Push In Hinged
6	STD541437	Nut Crownlock 3/8-16 Unc
7	124181X	Spring Seat Cprsn 2 250 Blk Zi
8	17490616	Screw Thdrol 3/8-16 X 1 Ty-tt
9	19131614	Washer 13/32 X 1 X 14 Ga
10	155925	Pan Pnt Seat (blk)
12	121246X	Bracket Pnt Mounting Switch
13	121248X	Bushing Snap Blk Nyl 50 Id

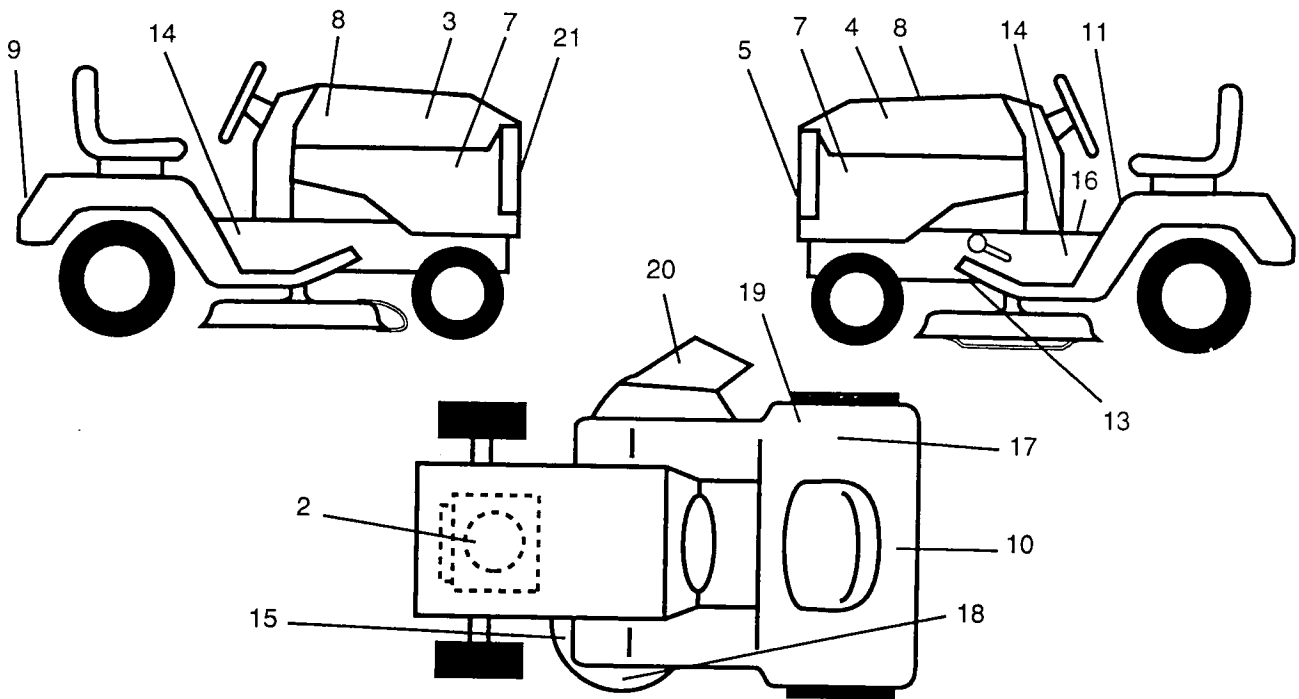
KEY NO.	PART NO.	DESCRIPTION
14	72050411	Bolt Rdhd Sht Nk 1/4-20x1-3/8
15	134300	Spacer Split 28 X 96 Zinc
16	121250X	Spring Cprsn 1 27 Blk Pnt
17	123976X	Nut Lock 1/4 Lge Flg Gr 5 Zinc
21	153236	Bolt Shoulder 5/16-18 Unc Blkz
22	STD541431	Nut Crown Lock 5/16-18
23	74780814	Bolt Fin Hex 1/2-13 X 7/8 Gr 5
24	19171912	Washer 17/32 X 1-3/16 X 12 Ga
25	127018X	Bolt Shoulder 5/16-18 X 62
26	STD551150	Washer Lock Hvy Hlcl Spr 1/2

NOTE: All component dimensions given in U.S. inches.
1 inch = 25.4 mm

REPAIR PARTS

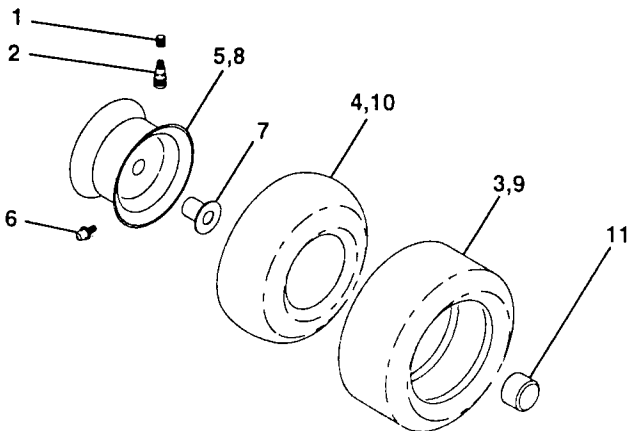
TRACTOR -- MODEL NUMBER 917.252750

DECALS



KEY NO.	PART NO.	DESCRIPTION	KEY NO.	PART NO.	DESCRIPTION
2	272936	Decal Engine 12.5 Hp B&S IC Crafts	14	105809X	Decal Chassis 5 Sp 38"
3	151815	Decal Hood Slope Rh Craftsman	15	136832	Decal Mower Drive Schematic 38
4	151816	Decal Hood Slope Lh Craftsman	16	140837	Decal, Brake Parking Saddle
5	132674	Decal Grille	17	145437	Decal Europe Stand CE
7	142249	Decal Panel Side l/c	18	133179	Decal Mower Qc System
8	142252	Decal Insert Hood Blk	19	125690X	Decal 100 DBA
9	125880X	Decal Fender Craftsman Red	20	145494	Decal Mower Cutoffinger Symbol
10	145005	Decal Btry Dngr/Psn Eng. Acme	21	131265	Decal Lightbox
11	145498	Decal Read Owner's Manual	--	138311	Decal Lift Handle
13	146046	Decal V-belt Dr Sch Tractor	--	159104	Manual, Operator's (Euro)
			--	159105	Manual, Operator's (Scan)

WHEELS & TIRES



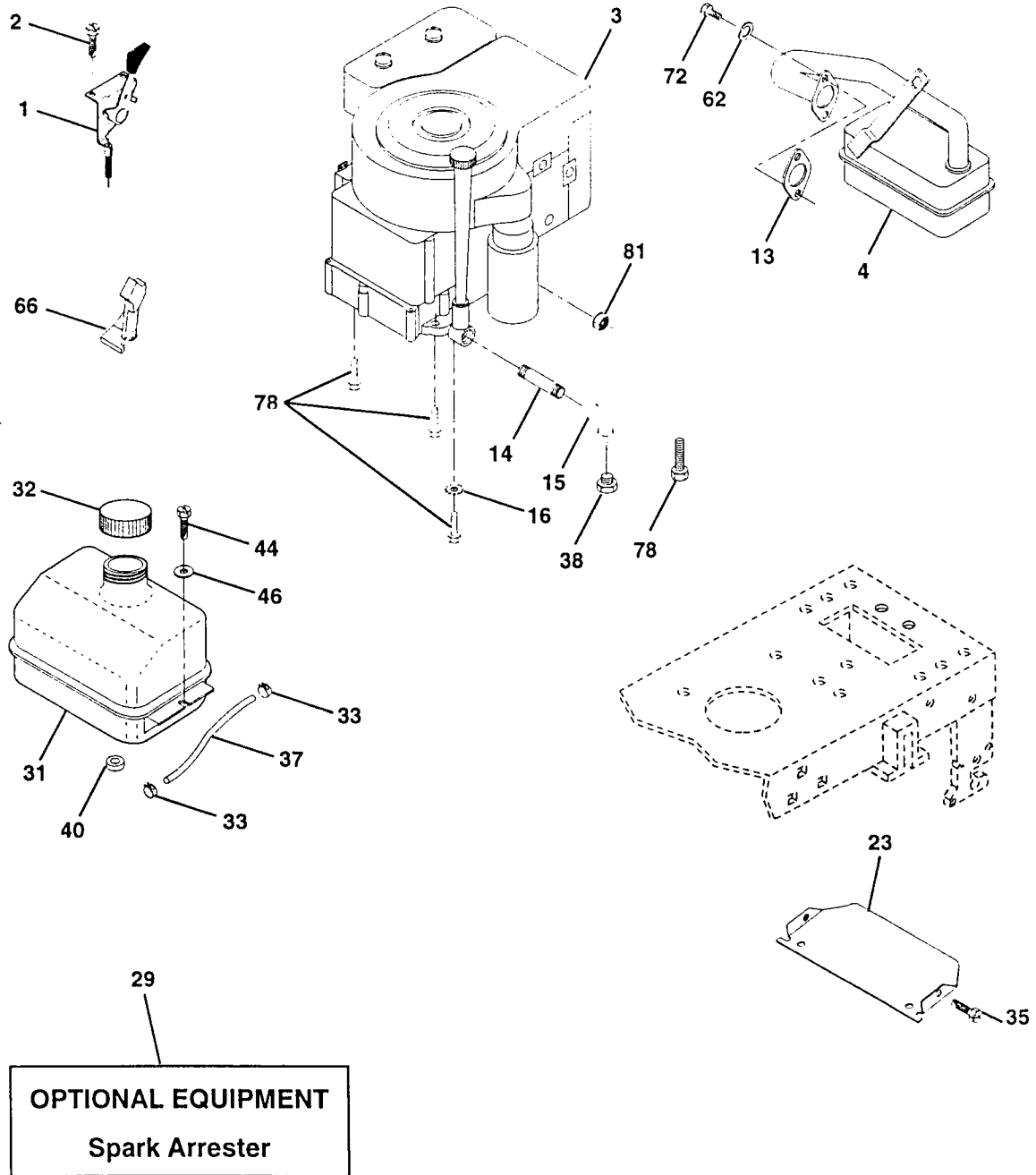
KEY NO.	PART NO.	DESCRIPTION
1	59192	Cap Valve Tire
2	65139	Stem Valve
3	106222X	Tire F Ts 15 X 6 0 - 6 Service
4	59904	Tube Inner Front #35060
5	106732X427	Rim Asm 6"front White Service
6	278H	Fitting Grease
7	9040H	Bearing Flange
8	106108X427	Rim Asm 8"rear White Service
9	124635X	Tire R Ts 18x8 5-8 Service
10	7152J	Tube Rear 9 5 X 8 Service
11	104757X	Cap Axle Blk 1 50 X 1 00
--	144334	Sealant, Tire (10 oz. Tube)

NOTE: All component dimensions given in U.S. inches.
1 inch = 25.4 mm

REPAIR PARTS

TRACTOR - - MODEL NUMBER 917.252750

ENGINE



OPTIONAL EQUIPMENT
Spark Arrester

KEY NO.	PART NO.	DESCRIPTION
1	153854	Control Throt
2	17720410	Screw Hex Thd Cut 1/4-20x5/8 T
3	-----	Engine (See Breakdown) B&S Model No. 289707-0179-01
4	137348	Muffler Exhaust B&S Lt
13	272293	Gasket 1 313 Id Tin Plated
14	13280324	Nipple Pipe 3/8 Npt X 3"
15	13200300	Elbow Std 90 Degree 3/8-18 Npt
16	STD551237	Washer Lock Ext Tooth 3/8
23	156123	Shield Browning
29	137180	Arrester Spark
31	109202X	Tank Fuel 1 25 Fr
32	123549X	Cap Asm Fuel W/sym Vented
33	123487X	Clamp Hose Blk

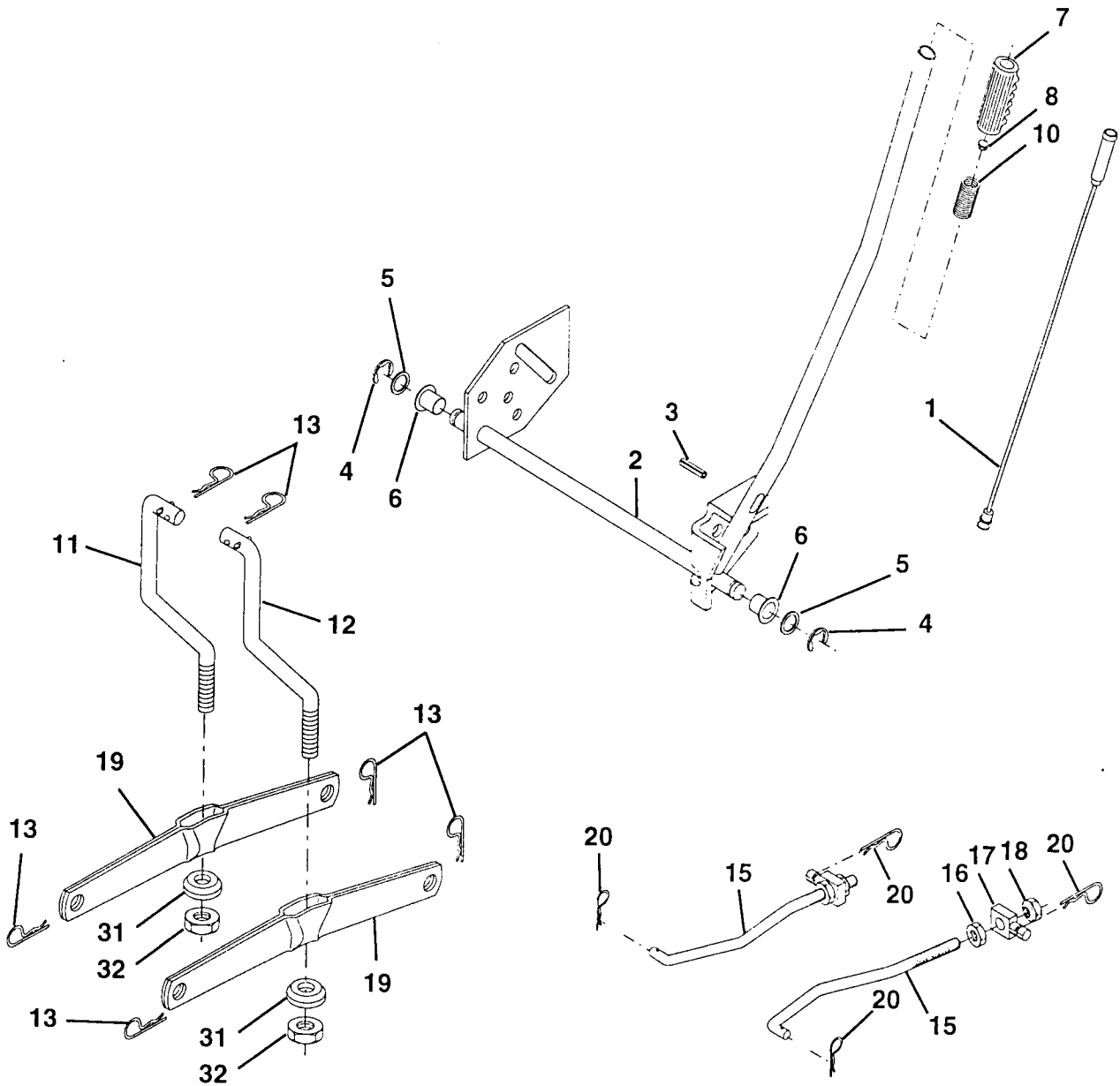
KEY NO.	PART NO.	DESCRIPTION
35	17490512	Screw Thdrol 5/16-18 x 3/4
37	137040	Line Fuel 20"
38	-----	Plug Oil Drain (Order From Engine Manufacturer)
40	124028X	Bushing Snap Nyl Blk Fuel Line
44	17490412	Screw Hexwsh Thdrol 1/4-20x3/4
46	19091416	Washer 9/32 X 7/8 X 16ga
62	STD551131	Washer Lock Hvy Hlcl Spr 5/16
66	127951	Stop Throttle 3000 RPM
72	71070512	Screw Hexhd Cap 5/16-18x3/4
78	17490620	Screw Thdrol 3/8-16x1-1/4 Tytt
81	128861	Nut Flange 1/4-20 Starter Nut

NOTE: All component dimensions given in U.S. inches
1 inch = 25.4 mm

REPAIR PARTS

TRACTOR - - MODEL NUMBER 917.252750

LIFT



KEY NO.	PART NO.	DESCRIPTION
1	136973	Rod Asm. Lever
2	122507X	Shaft Asm. Lift
3	105767X	Pin Groove
4	12000002	E Ring #5133-62
5	19211621	Washer 21/32 x 1 x 21 Ga.
6	120183X	Bearing Nylon
7	125631X	Grip Handle Fluted
8	122365X	Button Plunger Read
10	122512X	Spring Cprsn
11	139865	Lift Asm. Link LH
12	139866	Lift Asm. Link RH

KEY NO.	PART NO.	DESCRIPTION
13	STD624008	Retainer Spring
15	127218	Link Front
16	73350800	Nut Jam Hex 1/2-13 Unc
17	130171	Trunnion Blk Zinc
18	73800800	Nut Lock W/Wsh 1/2-13 Unc
19	139868	Arm Suspension Mower
20	STD624008	Retainer Spring
31	140302	Bearing, Pvt. Lift. Spherical
32	73540600	Nut Crownlock 3/8-24

NOTE: All component dimensions given in U.S. inches
1 inch = 25.4 mm

REPAIR PARTS

TRACTOR - - MODEL NUMBER 917.252750

MOWER

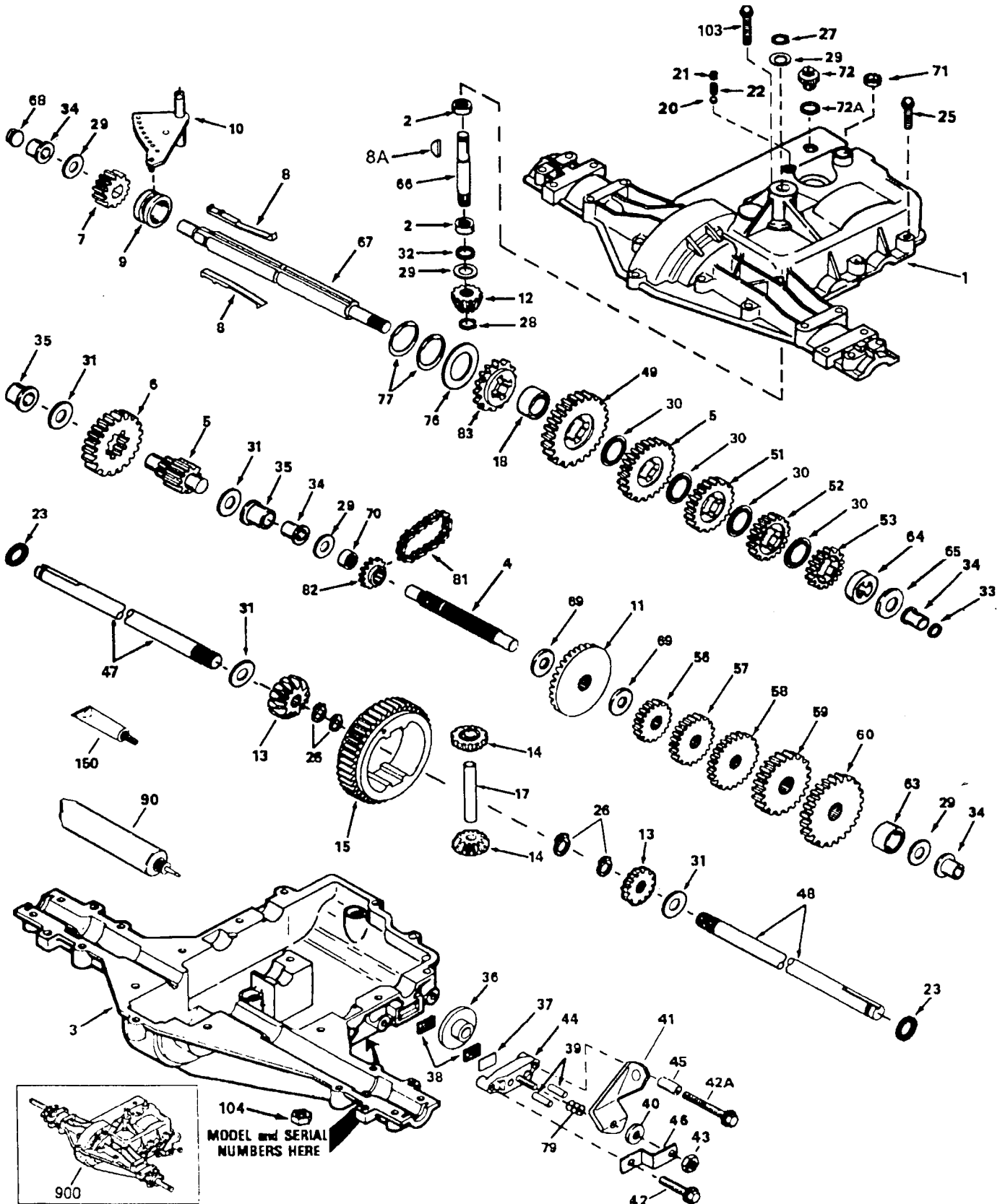
KEY NO.	PART NO.	DESCRIPTION	KEY NO.	PART NO.	DESCRIPTION
1	142829	Mower Housing Assembly	56	122052X	Spacer, Retainer 1-3/4
2	STD533107	Bolt, Carriage 5/16-18 x 3/4	67	149846	Knob
3	138017	Bracket Asm. Fram Sway Bar 38/42	68	144200	Belt
4	138440	Bracket, Asm. Deck Sway Bar 38"	69	STD560907	Pin, Cotter 3/32 x 3/4
5	STD624008	Retainer, Spring	71	142427	Rod, Clutch, Primary
6	130832	Asm. Suspension Rear	72	131870	Spring, Return
8	850857	Bolt, Hex 3/8-24 x 1-1/4 Grade 8	73	127847	Arm, Clutch, Secondary
9	STD551137	Washer, Lock, Hvy Hlcl Spring 3/8	74	121748X	Washer 25/32 x 1-5/8 x 16 Gauge
10	140296	Washer, Hard Blade Mower Vented	75	12000029	Ring, Klip
11	134148	Blade, Mower, Mulching 38"	76	128903	Bolt, Shoulder
12	129895	Ball Bearing	77	127845	Keeper, Spring
13	137645	Shaft and Bearing Assembly (Includes Key Number 15)	78	154810	Arm, Clutch, Primary
14	128774	Mandrel Housing, Vented	79	127498	Bushing
15	110485X	Ball Bearing, Mandrel	80	153701	Spring
16	140329	Stripper, Mower, Vented	81	STD541237	Nut Hex Jam 3/8-16 UNC
19	132827	Bolt, Shoulder	82	142028	Trunnion Adj 94
21	STD541431	Nut, Crownlock 5/16-18	86	7631J	Runner, LH
23	137607	Bracket, Mower Deflector	87	128772	Runner, RH
24	105304X	Cap, Sleeve	88	19111216	Washer 11/32 x 3/4 x 16 Gauge
25	123713X	Spring, Deflector	89	19131612	Washer 13/32 x 1 x 12 Gauge
26	110452X	Nut, Push	92	STD541437	Nut Lock Hex w/Ins 3/8-16 UNC
27	106736X	Shield, Deflector	107	133502	Spacer, Retainer
28	19111016	Washer 11/32 x 3/4 x 16 Gauge	108	133503	Stiffener, Idler Arm
29	106735X	Rod, Hinge	109	74760640	Bolt, Hex Head 3/8-16 x 2-1/2
30	138776	Screw, Thdrol Hex Hd	110	142587	Upstop Deck Front 38"
31	129963	Washer, Spacer	113	17490512	Screw, Hex Head, Thd., Roll. 5/16-18 x 3/4
32	153532	Pulley, Mandrel	122	131289	Rod, Brake, LH
33	137266	Nut, Flangelock 9/16	123	131288	Rod, Brake, RH
36	131494	Pulley, Idler, Flat	124	STD533717	Bolt, Carriage 3/8-16 x 1-3/4
40	STD541437	Nut, Crownlock 3/8-16	128	153390	Washer Felt
41	133551	Rod, Pivot	--	130794	Mandrel Assembly (Includes Key Numbers 12-15, 17-19, 31 and 33)
43	133504	Rod, Clutch, Secondary	--	142820	Mower Deck, Complete
45	STD624003	Retainer, Spring			
53	130840	Brake Assembly			
54	133943	Washer Hardened			
55	133840	Idler Arm Assembly			

NOTE: All component dimensions given in U.S. inches
1 inch = 25.4 mm

REPAIR PARTS

TRACTOR - - MODEL NUMBER 917.252750

PEERLESS TRANSAXLE - MODEL NUMBER P930-054A



REPAIR PARTS

TRACTOR - - MODEL NUMBER 917.252750

PEERLESS TRANSAXLE - MODEL NUMBER P930-054A

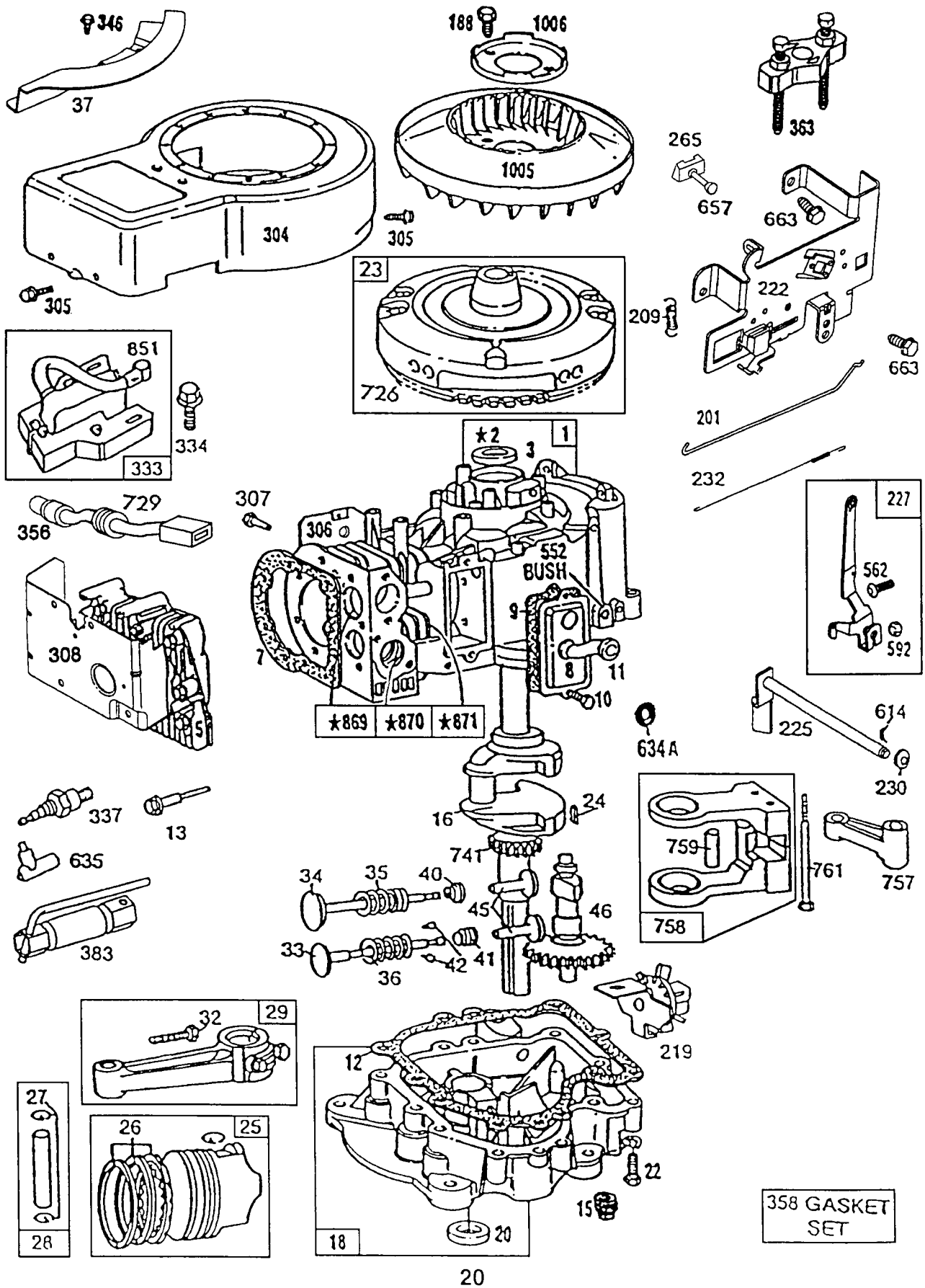
REF PART NO. NO.	DESCRIPTION	REF PART NO. NO.	DESCRIPTION		
1	772108A	43	792075	Cover, Transaxle	Locknut 5/16-24
2	780086	44	790025	Bearing, Needle	Holder, Brake Pad
3	770102A	45	786066	Case, Transaxle	Spacer
4	776260	46	786086	Shaft, Counter	Bracket, Brake Lever
5	776219B	47	774690	Shaft and Pinion Assembly, Output	Axle 11-5/16" long
6	778139	48	774691	Gear, Output	Axle 16-1/2" long
7	778136	49	778215	Gear, Spur, 15 Teeth	Gear, Spur, 37 Teeth, Steel (1 st)
8	792136A	50	778124A	Key, Shift	Gear, Spur, 30 Teeth (2 nd)
8A	792047	51	778123A	Key, Woodruff	Gear, Spur, 25 Teeth (3 rd)
9	784352	52	778122A	Collar, Shifter	Gear, Spur, 22 Teeth (4 th)
10	784355	53	778273	Rod and Fork Assembly, Shift	Gear, Spur, 19 Teeth, Steel (5 th)
11	778229	56	778230	Gear, Bevel, 42 Teeth	Gear, Spur, 12 Teeth (1 st)
12	778113A	57	778126A	Bevel Pinion, Input	Gear, Spur, 20 Teeth (2 nd)
13	778221	58	778127A	Gear, Bevel	Gear, Spur, 25 Teeth (3 rd)
14	778068	59	778128A	Gear, Bevel Pinion	Gear, Spur, 28 Teeth (4 th)
15	778260	60	778163	Gear, Ring	Gear, Spur, 31 Teeth (5 th)
17	786139	63	786071	Pin, Drive	Spacer
18	786102	64	786072	Spacer, Neutral	Spacer
20	792077	65	780109	Ball, Steel 5/16" diameter	Washer, Thrust
21	792078	66	776135	Set Screw 3/8-16 x 3/8	Shaft, Input
22	792079	67	776315A	Spring	Shaft, Brake, 4 Keyed
23	788061	68	786116A	Ring, Seal	Plug
25	792073	69	780051	Screw, Flanged Hex Head, Thread Forming 1/4-20 x 1-1/4	Washer, Thrust
26	792125	70	786118	Ring, Retainer	Spacer
27	792035	71	788069	Ring, Retainer	Seal, Square Cut
28	788040	72	792165	Ring, Retainer	Plug, Threaded 9/16-18
29	780072	72A	788091	Washer, Thrust	"O" Ring
30	780108	76	780090	Washer, Thrust	Washer, Thrust
31	780001	77	788078A	Washer, Thrust	Ring, Retaining, Inverted (Package of 2)
32	792001	79	792144	"O" Ring	Spring, Brake
33	788095	81	786081	Seal, Square Cut	Chain, Roller
34	780105A	82	786082	Bushing, Flanged	(Number 41 Chain, 24 Links)
35	780118A	83	786123	Bushing, Flanged	Sprocket, 9 Teeth (Reverse)
36	790003	90	788067B	Disk, Brake	Sprocket, 18 Teeth (Reverse)
37	790007	103	792166	Plate, Brake Pad	Grease, Bentonite, 32 Ounce Bottle
38	799021	104	792167	Pad, Brake	Screw 1/4-20 x 2
39	786026	150	510334	Pin, Dowel	Locknut 1/4-20
40	792076A	900	794528A	Washer, Flat	Gasket Eliminator (Loctite #515)
41	790079			Lever, Brake	Replacement Transaxle
42	792073			Screw, Flanged Hex Head, Thread Forming 1/4-20 x 1-1/4	
42A	792085A			Screw 1/4-20 x 2-1/4	

NOTE: All component dimensions given in U.S. inches
1 inch = 25.4 mm

REPAIR PARTS

TRACTOR - - MODEL NUMBER 917.252750

BRIGGS & STRATTON ENGINE - MODEL NUMBER 289707, TYPE NUMBER 0179-01

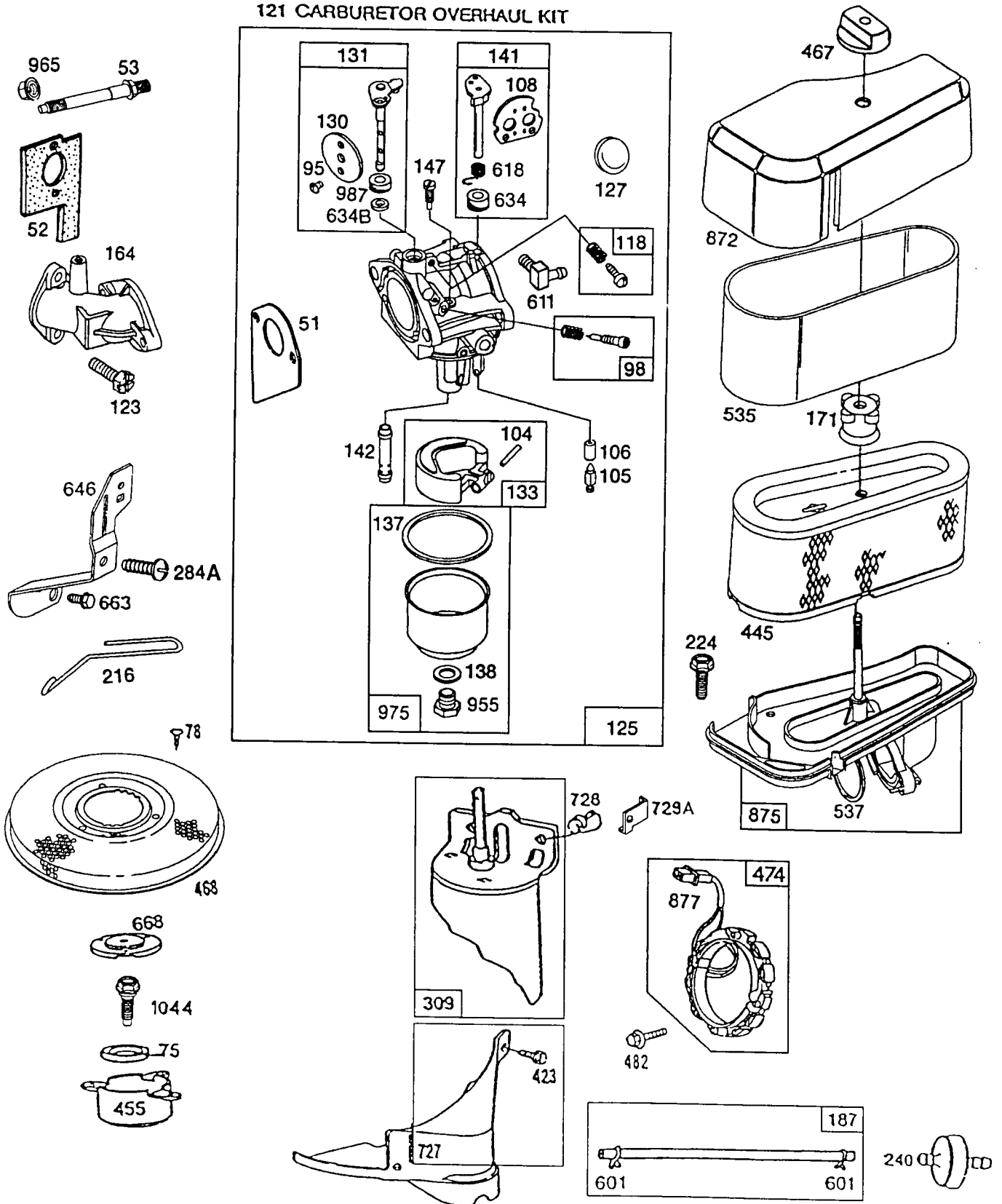


REPAIR PARTS

TRACTOR - - MODEL NUMBER 917.252750

BRIGGS & STRATTON ENGINE - MODEL NUMBER 289707, TYPE NUMBER 0179-01

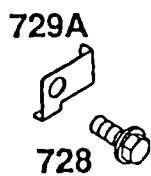
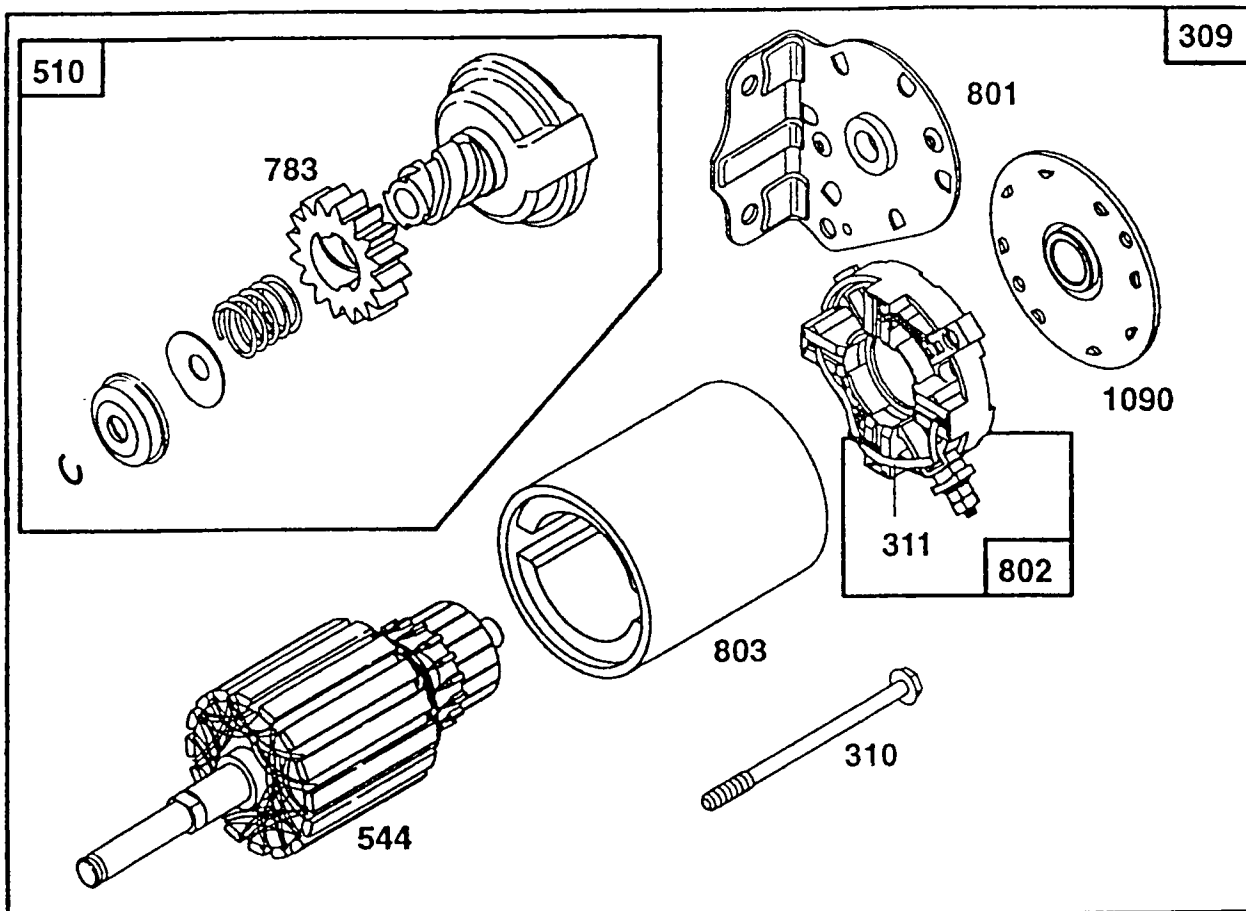
121 CARBURETOR OVERHAUL KIT



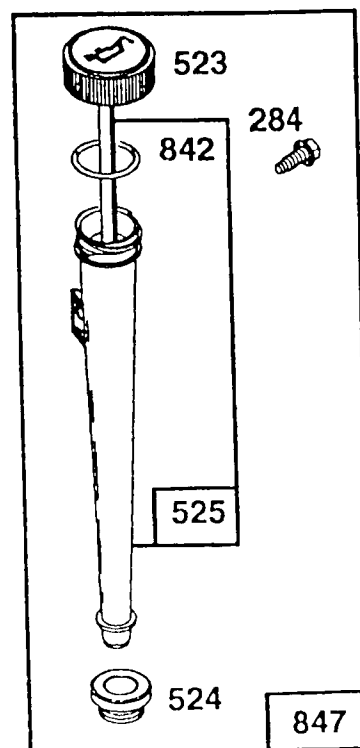
REPAIR PARTS

TRACTOR - - MODEL NUMBER 917.252750

BRIGGS & STRATTON ENGINE - MODEL NUMBER 289707, TYPE NUMBER 0179-01



1058 OWNER'S MANUAL



REPAIR PARTS

TRACTOR - - MODEL NUMBER 917.252750

BRIGGS & STRATTON ENGINE - MODEL NUMBER 289707, TYPE NUMBER 0179-01

KEY PART NO.	NO.	DESCRIPTION	KEY PART NO.	NO.	DESCRIPTION
1	496413	Cylinder Assembly	52	272554	* Gasket, Carburetor
2	399265	Bearing, Cylinder (Requires Special Tools For Installation)	53	94637	Stud, Carburetor Mounting
3	391086	* Seal, Oil	75	224061	Washer, Spring
5	494240	Head, Cylinder	78	93805	Screw, Sems
7	271866	* Gasket, Cylinder Head	95	94098	** Screw, Throttle
8	391406	Breather Assembly	98	495800	Screw, Idle Speed
9	27803	* Gasket, Valve Cover	104	231789	** Pin, Float Hinge
10	94621	Screw, Sems	105	231855	** Valve Assembly, Inlet Needle
11	280100	Tube, Breather	106	231854	Inlet, Valve Seat
12	271916	* Gasket, Crankcase Cover 1/64"	108	224540	Valve, Choke
	271997	* Gasket, Crankcase Cover .005"	118	494383	** Valve, Needle
	271996	* Gasket, Crankcase Cover .009"	121	497535	Carburetor Overhaul Kit
13	94622	Screw, Cylinder Head	123	94616	Screw, Elbow Mounting
15	94239	Plug, Oil Drain	125	495706	Carburetor Assembly
16	495162	Crankshaft	127	---	** Plug, Welch (Sold in Kit Only)
	94196	Key, Timing Gear	130	224539	Valve, Throttle
18	494238	Base, Engine	131	494379	Shaft and Lever, Throttle
20	291675	* Seal, Oil	133	494381	Float, Carburetor
22	94624	Screw, Sems, Base Mounting	137	281165	*** Gasket, Float Bowl
23	492326	Flywheel and Ring Gear Assembly, Magneto	138	281164	*** Washer, Float Bowl Screw
24	222698	Key, Flywheel	141	494380	** Shaft and Lever, Choke
25	394661	Piston Assembly, Standard	142	494537	** Nozzle / Jet, Carburetor
	394662	Piston Assembly .010" Oversize	147	497472	** Pilot, Jet
	394663	Piston Assembly .020" Oversize	164	213819	Carburetor, Elbow
	394664	Piston Assembly .030" Oversize	171	281051	Nut, Air Cleaner Mounting
26	391780	Ring Set, Piston, Standard Size	187	393815	Line, Fuel
	392331	Ring Set, Piston, Chrome, Standard	188	93535	Screw, Sems
	391781	Ring Set, Piston .010" Oversize	201	262767	Link, Governor
	391782	Ring Set, Piston .020" Oversize	209	260871	Spring, Governor
	391783	Ring Set, Piston .030" Oversize	216	262766	Link, Choke
27	260924	Lock, Piston Pin	219	490815	Oil Slinger, Governor Gear and Bracket Assembly
28	299691	Pin Assembly, Piston, Standard	222	494887	Plate, Governor Control
	391286	Pin Assy., Piston .005" Oversize	224	94513	Screw, Sems, Air Cleaner
29	490348	Rod Assembly, Connecting	225	495157	Crank, Governor
	490469	Rod Assembly, Connecting, .020" Undersize Crankpin Bore	227	493935	Lever Assembly, Governor
32	94671	Screw, Connecting Rod	230	94742	Washer, Governor Crank
33	262246	Valve, Exhaust	232	262785	Spring, Governor Link
34	262247	Valve, Intake	240	394358	Filter, Fuel
35	65906	Spring, Intake Valve	265	221535	Clamp, Casing
36	26828	Spring, Exhaust Valve			* Included in Gasket Set (494241)
37	224502	Guard, Flywheel			** Included in Carburetor Overhaul Kit (497535)
40	221596	Retainer, Intake Valve			*** Included in both Carburetor Overhaul Kit (497535) and Carburetor Gasket Set (494385)
41	292260	Rotocoil, Exhaust Valve			
42	93630	Retainer, Exhaust Valve Rotocoil			
45	262248	Tappet, Valve			
46	212897	Gear, Cam			
51	272465	*** Gasket, Carburetor (to Elbow)			

NOTE: All component dimensions given in U.S. inches
1 inch = 25.4 mm

REPAIR PARTS

TRACTOR - - MODEL NUMBER 917.252750

BRIGGS & STRATTON ENGINE - MODEL NUMBER 289707, TYPE NUMBER 0179-01

KEY PART NO. NO.	DESCRIPTION	KEY PART NO. NO.	DESCRIPTION
284 94073	Screw, Shoulder, Hex Washer Head	726 392134	Gear, Ring (Includes Mounting Parts)
284A 94704	Screw, Hex Head	727 490324	Cover, Starter (Includes Mounting Screws)
304 496319	Housing, Blower	728 94627	Screw, Hex Head
305 94619	Screw, Sems, Blower Housing Mounting	729 281159	Clip, Lead Wire
306 224545	Shield, Cylinder	729A 225170	Retainer Wire
307 94623	Screw, Sems, Cylinder Shield Mounting	741 262135	Gear, Timing
308 491490	Cover, Cylinder Head	757 212359	Link, Counterweight
309 497595	Motor, Starter	758 399891	Counterweight Assembly
310 497602	Bolt, Thru	759 298909	Pin, Counterweight
311 497608	Brush Set	761 93875	Screw, Counterweight
333 492341	Armature, Magneto	783 280104	Gear, Starter
334 93381	Screw, Sems, Armature Mounting	801 394856	Cap, Drive
337 802592	Plug, Spark	802 497605	Cap, End
346 93705	Screw, Hex Head	803 497604	Housing, Starter
356 494328	Wire, Ground	842 270920	Seal, Oil Filler Cap
358 494241	Gasket Set	847 496415	Fill Group, Oil
363 19203	Puller, Flywheel	851 221798	Terminal, Ignition Cable
383 89838	Wrench, Spark Plug	869 261463	Seat, Intake Valve, Standard
423 94073	Screw, Sems	870 213316	Seat, Exhaust Valve, Standard
445 493909	Cartridge, Air Cleaner	871 261961	Guide, Exhaust Valve
455 222561	Cup, Screen Mounting	231218	Guide, Intake Valve
467 493903	Knob, Air Cleaner	872 281104	Cover, Air Cleaner
468 222562	Screen, Flush Rotating	875 494237	Body, Air Cleaner
474 393474	Stator, Alternator	877 393456	Diode and Connector Assembly, Dual Circuit
482 93621	Screw, Sems	955 94642	** Screw, Fuel Bowl
510 497606	Drive, Starter	965 94108	Locknut, Air Cleaner Mounting
523 490327	Cap and Dipstick, Oil Filler	975 494378	Bowl Assembly, Carburetor
524 68838	Seal, Filler Tube	977 494385	Carburetor Gasket Kit
525 496113	Tube, Oil Filler	987 281166	** Seal, Throttle Shaft
535 272403	Element, Air Cleaner	1005 280687	Fan, Flywheel
537 281106	* O-Ring, Air Cleaner	1006 224413	Retainer, Fan
544 497603	Armature, Starter	1019 491255	Label Kit
552 231597	Bushing, Governor Crank	1044 94673	Screw, Hex Head
562 92613	Bolt, Governor Lever	1058 272697	Manual, Owner's
592 231082	Nut, Hex	1090 497607	Retainer, Brush
601 93053	Clamp, Fuel Pipe		
611 494451	Fuel Inlet Tube		RPM Settings: Low: 1550-1950; High: 3200-3400
614 93306	Cotter, Hair Pin		
618 262803	Spring, Choke Return		* Included in Gasket Set (497535)
634 281168	** Seal, Choke Shaft		** Included in Carburetor Overhaul Kit (495799)
634A 491323	* Seal, Governor		
634B 281167	** Washer, Throttle Shaft		*** Included in both Carburetor Overhaul Kit (497535) and Carburetor Gasket Set (494385)
635 66538	Elbow, Spark Plug		
646 224546	Brace, Air Cleaner		
657 93496	Screw, Sems		
663 94620	Screw, Hex Head		
668 280848	Spacer		

NOTE: All component dimensions given in U.S. inches
1 inch = 25.4 mm