

REPAIR PARTS MANUAL
MODEL NO. 252760
Lawn Tractor

12/42 1997

CRAFTSMAN®

HOW TO USE THIS MANUAL

This manual is designed to provide the customer with a means to identify the parts on his/her tractor when ordering repair parts. The illustrations may or may not represent the actual assemblies; therefore, it is not recommended to use this manual as a guide to assemble or disassemble the tractor. Some hardware and parts are drawn larger in order to more readily identify them.

Each tractor has its own model number.

The model number for your tractor can be found on the fender under the seat.

When ordering parts, always give the following information:

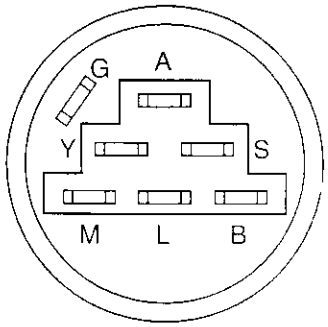
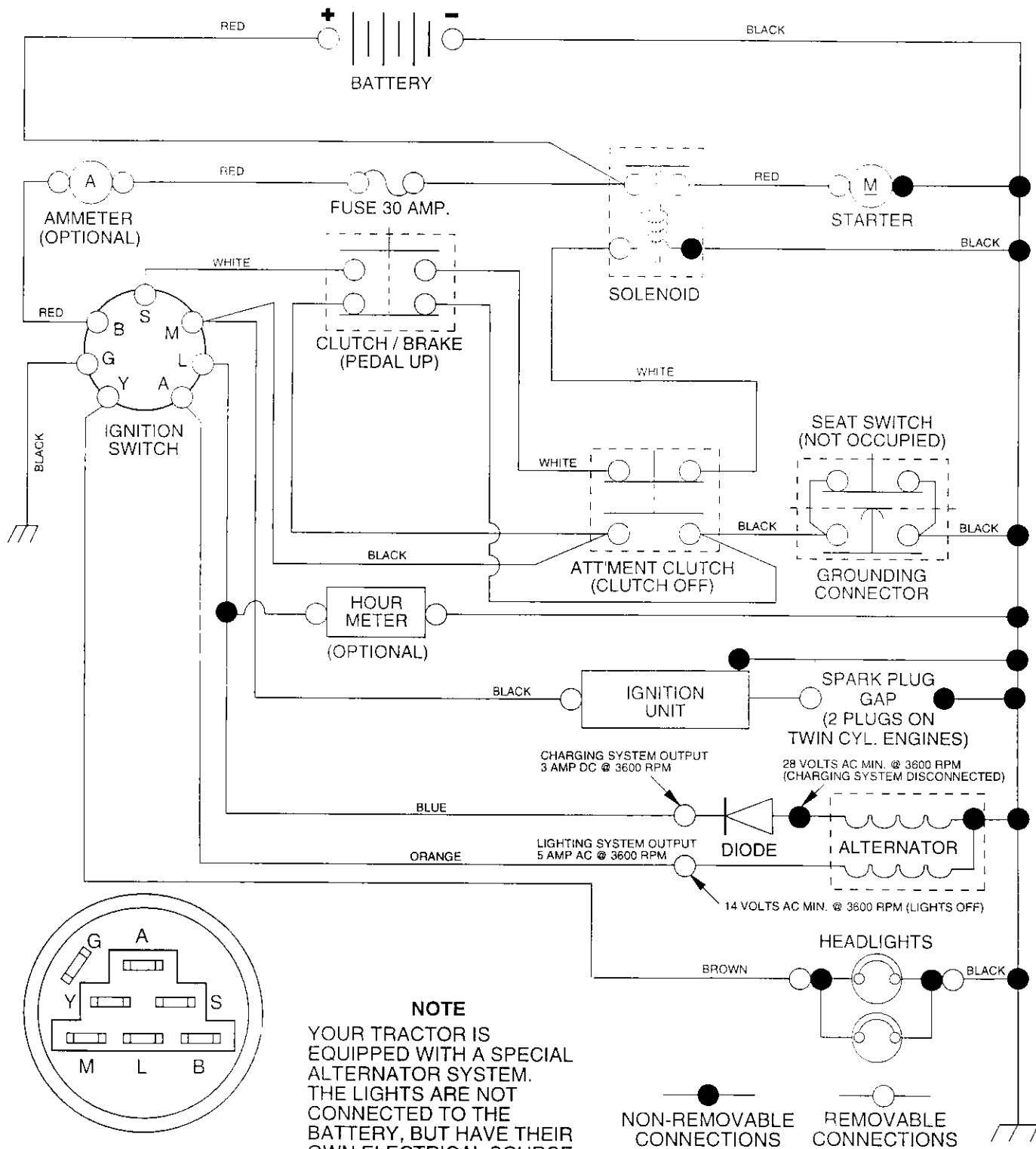
- Product - "Tractor"
- Model Number - "252760"
- Part Number
- Part Description

TABLE OF CONTENTS

SCHEMATIC	3
ELECTRICAL	4-5
CHASSIS	6-7
DRIVE	8-9
STEERING WHEEL	10-11
ENGINE	12-13
DECALS	14
SEAT	15
MOWER LIFT LEVER	16-17
MOWER DECK	18-19
TRANSAXLE	20-21

TRACTOR - MODEL NUMBER 917.252760

SCHEMATIC



IGNITION SWITCH

POSITION	CIRCUIT	"MAKE"
OFF	G + M + L	NONE
RUN/LIGHT	B + L	A + Y
RUN	B + L	NONE
START	B + L + S	NONE

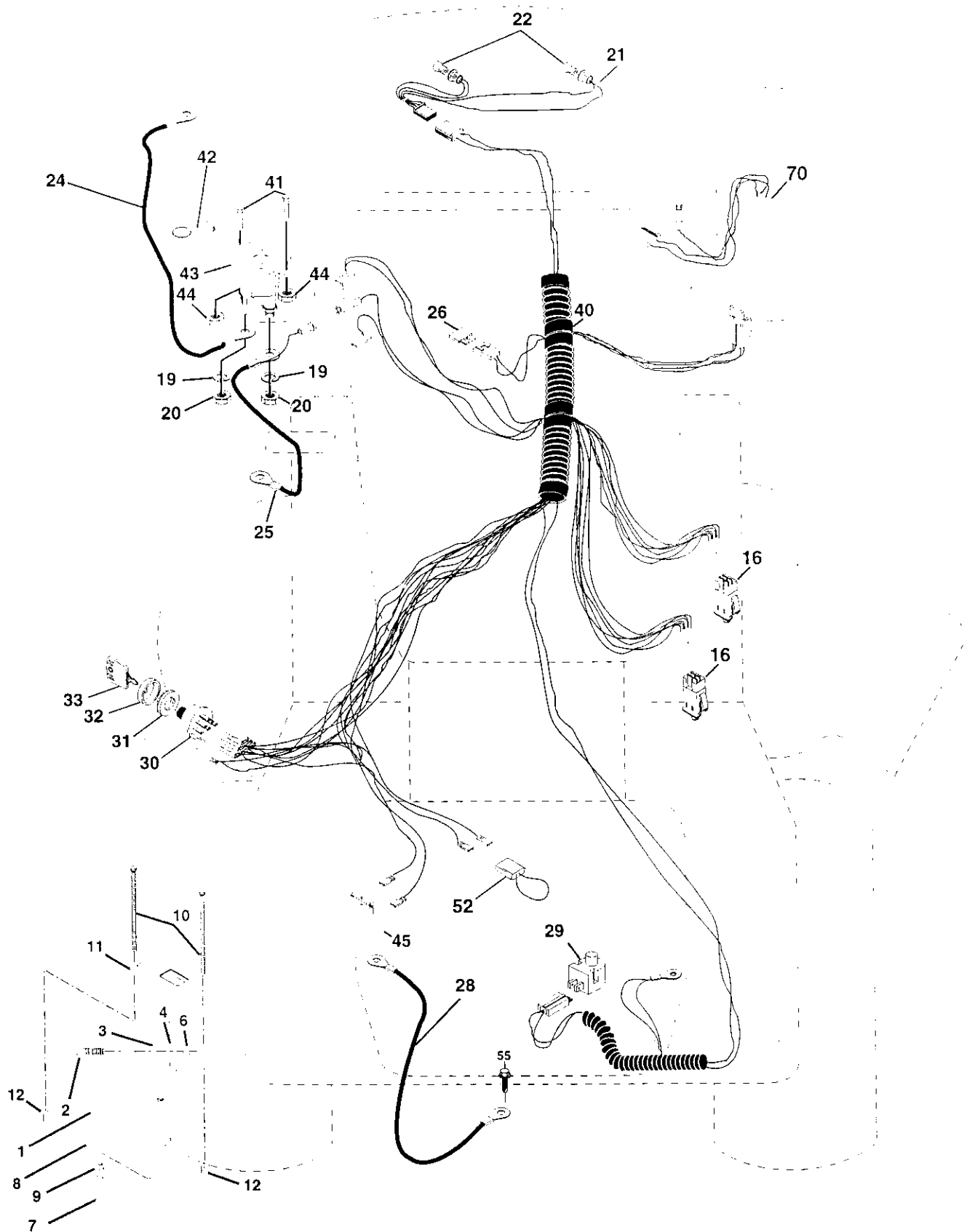
NOTE
 YOUR TRACTOR IS EQUIPPED WITH A SPECIAL ALTERNATOR SYSTEM. THE LIGHTS ARE NOT CONNECTED TO THE BATTERY, BUT HAVE THEIR OWN ELECTRICAL SOURCE. BECAUSE OF THIS, THE BRIGHTNESS OF THE LIGHTS WILL CHANGE WITH ENGINE SPEED. AT IDLE THE LIGHTS WILL DIM. AS THE ENGINE IS SPEEDED UP, THE LIGHTS WILL BECOME THEIR BRIGHTEST.

WIRING INSULATED CLIPS
NOTE: IF WIRING INSULATED CLIPS WERE REMOVED FOR SERVICING OF UNIT, THEY SHOULD BE REPLACED TO PROPERLY SECURE YOUR WIRING.

REPAIR PARTS

TRACTOR - - MODEL NUMBER 917.252760

ELECTRICAL



REPAIR PARTS

TRACTOR - - MODEL NUMBER 917.252760

ELECTRICAL

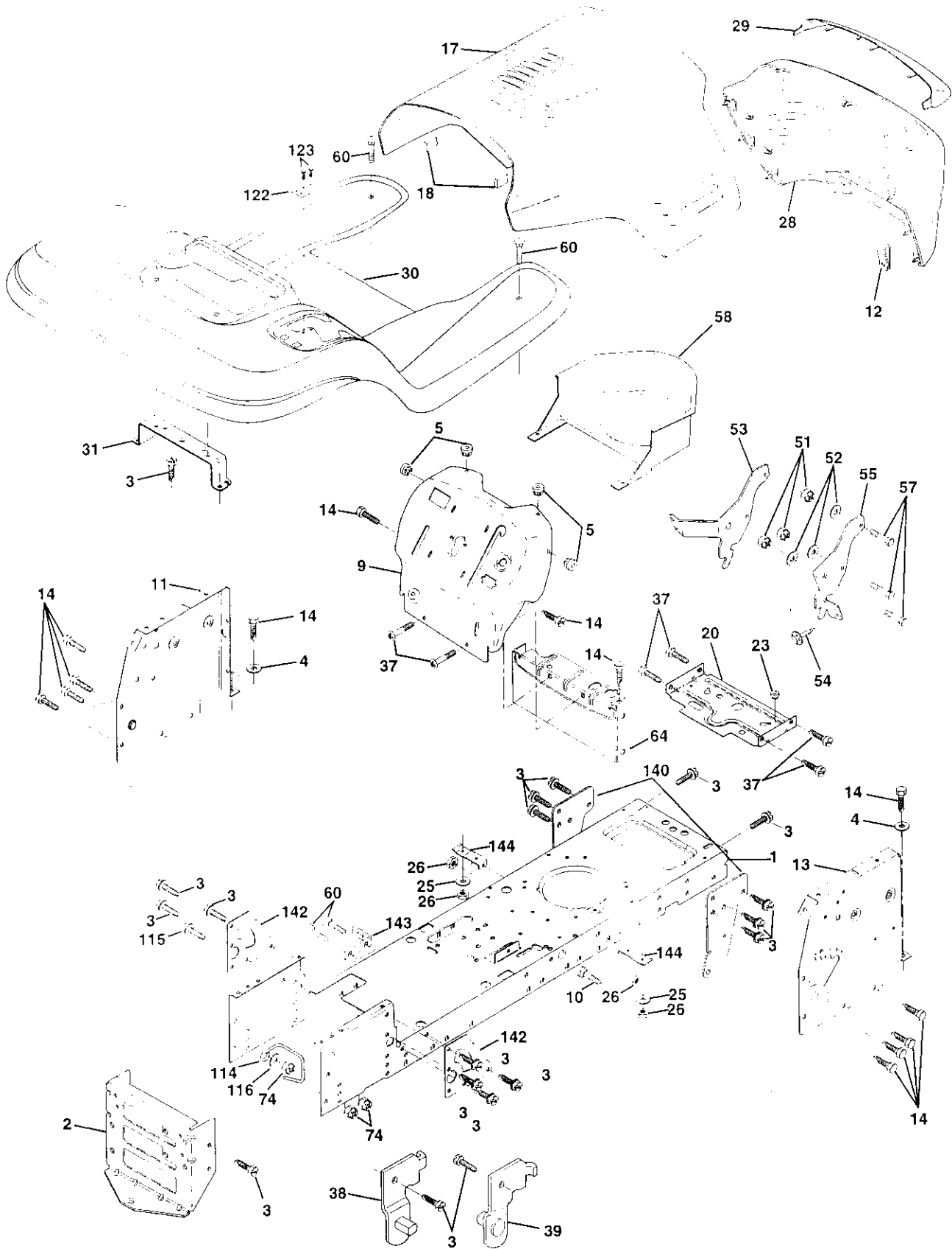
KEY NO.	PART NO.	DESCRIPTION
1	144926	Battery
2	74760412	Bolt, Hex 1/4-20 x 3/4
3	STD551025	Washer 9/32 x 5/8 x 16 Gauge
4	STD551125	Washer, Lock 1/4
6	STD541025	Nut, Hex 1/4-20
7	7697J	Tube
8	7603J	Tray, Battery
9	109596X	Clamp, Hose
10	145211	Bolt, Btr Front 1/4-20 x 7-1/2
11	150109	Holddown Battery Front Mount
12	145769	Nut, Push Nylon Battery Front 1/4
16	153664	Switch Interlock Push-In
19	STD551125	Washer, Lock 1/4
20	73350400	Nut, Hex, Jam 1/4-20
21	147430	Harness, Light Socket (w/4152J)
22	4152J	Light Bulb
24	4799J	Cable, Battery
25	146148	Cable, Battery
26	108824X	Fuse
28	145491	Cable, Ground
29	121305X	Switch, Seat
30	140301	Switch, Ignition 4 Position
31	124211X	Nut, Ignition
32	141226	Cover, Ignition Switch
33	109310X	Key, Molded, Craftsman
40	156442	Harness, Ignition
41	71110408	Bolt Blk Fin Hex 1/4-20 UNC x 1/2
42	131563	Cover, Terminal
43	145673	Solenoid
44	73640400	Nut Keps Blk Hex 1/4-20 UNC
45	121433X	Ammeter Rectangular 6 Amp
52	141940	Protection Wire Loop (Hour Meter)
55	17490508	Screw Thdrol 5/16-18 x 1/2
70	140413	Harness Engine B&S/Tec Dual

NOTE: All component dimensions given in U.S. inches
1 inch = 25.4 mm

REPAIR PARTS

TRACTOR - - MODEL NUMBER 917.252760

CHASSIS AND ENCLOSURES



REPAIR PARTS

TRACTOR - - MODEL NUMBER 917.252760

CHASSIS AND ENCLOSURES

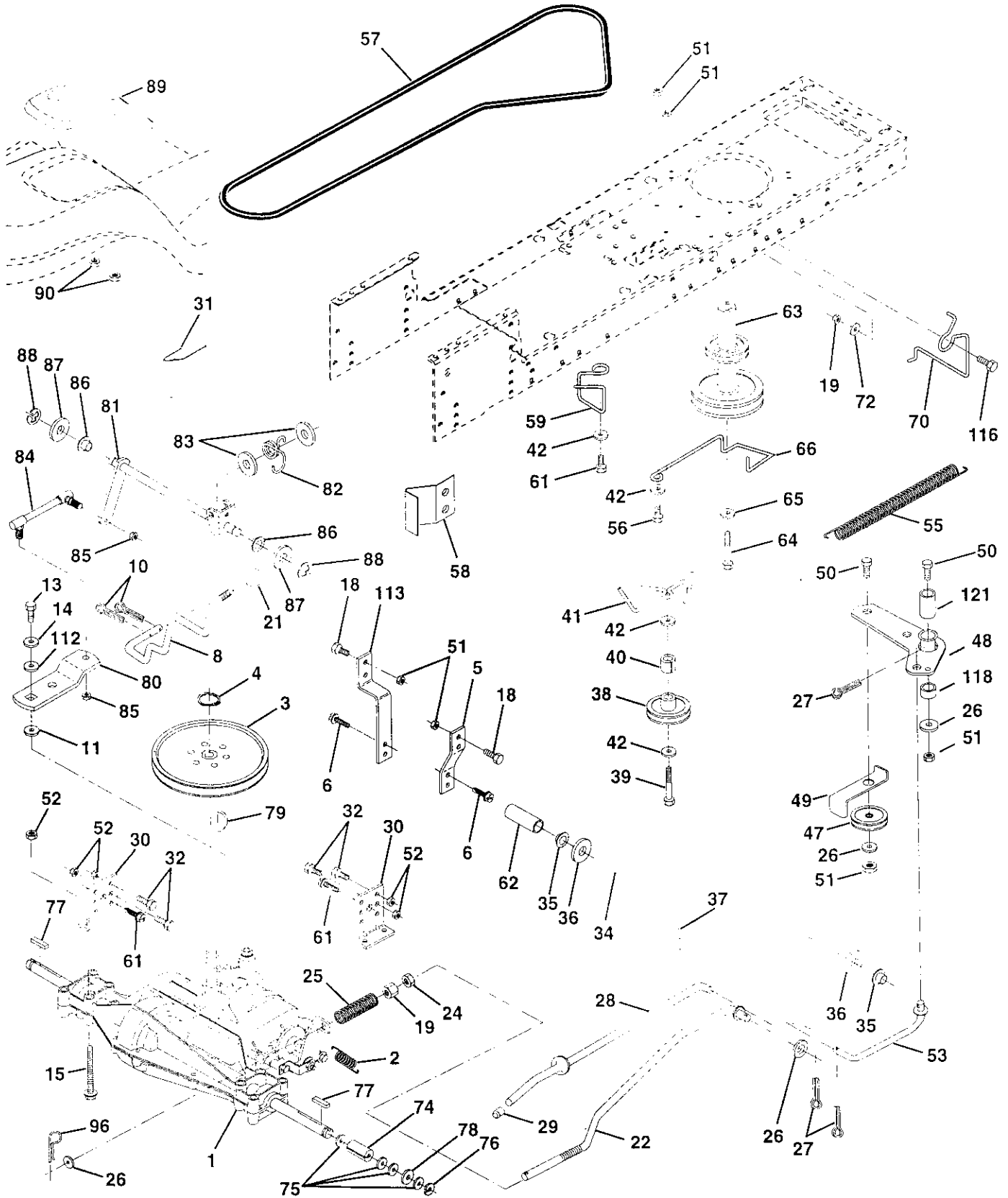
KEY NO.	PART NO.	DESCRIPTION
1	153871	Chassis
2	140356	Drawbar
3	17490612	Screw, Thd., Roll. 3/8-16 x 3/4 Type TT
4	STD551025	Washer 13/32 x 3/4 x 16 Gauge
5	155272	Bumper Hood/Dash
9	150156X013	Dash, Silkscreened
10	STD533710	Bolt, Carriage 3/8-16 x 1
11	155927	Panel, Dash, LH
12	145660	Clip Tinnerman Grille P/L
13	155936	Panel, Dash, RH
14	17490608	Screw, Thd., Roll. 3/8-16 x 1/2 Type TT
17	144983X558	Hood Assembly
18	126938X	Bumber Hood
20	156437	Plate Mtg Battery Fuel Tank
23	124028X	Bushing, Snap, Nylon, Fuel Line
25	19131312	Washer 13/32 x 13/16 x 12 Gauge
26	STD541437	Locknut, Hex, with Insert 3/8-16 UNC
28	145198X558	Grille, W/Clips MS-558
29	155217	Lens, Grille
30	151287X558	Fender/Footrest
31	139976	Bracket, Fender/Support
37	17490508	Screw, Thdrol. 5/16-18 x 1/2 TYT
38	139886	Pivot Bracket Assembly, LH, Mower, Rear
39	139887	Pivot Bracket Assembly, RH, Mower, Rear
51	73800400	Nut Lock W/Insert 1/4 - 20 UNC
52	19091416	Washer 9/32 X 7/8 X 16 Ga.
53	145201	Bracket Grille Pickoff LH
54	17030814	Screw, Hex Head, Spiderlock #8 x 7/8 AB
55	145202	Bracket Grille Pickoff RH
57	STD552507	Bolt FinHex 1/4 -20 UNC X.75
58	140547	Air Duct P/L 18HP B&S Opp. Twin
60	STD533707	Bolt Rdhd Sqnk 3/8-16 UNC x 3/4
64	154798	Dash Lower STLT
74	STD541437	Nut Crownlock 3/8-16 UNC
114	158112	Keeper Belt Rear LH STL P930
115	17490620	Screw Thdrol 3/8-16 x 1-1/4 Tytt
116	19131614	Washer 13/32 x 1 x 14 Ga.
122	157301	Bracket Shift STLT
123	152927	Screw
140	158418	Bracket Suspension Front
142	156095	Plate Reinforcement STLT
143	154966	Backrest Swaybar Chassis
144	154207	Bracket Footrest JTLT

NOTE: All component dimensions given in U.S. inches
1 inch = 25.4 mm

REPAIR PARTS

TRACTOR -- MODEL NUMBER 917.252760

DRIVE



REPAIR PARTS

TRACTOR - - MODEL NUMBER 917.252760

DRIVE

KEY NO.	PART NO.	DESCRIPTION	KEY NO.	PART NO.	DESCRIPTION
1	-----	Transaxle (See Breakdown)	53	105710X	Link, Clutch
		Peerless 930-057A	55	105709X	Spring, Clutch Return
2	146682	Spring, Return, Brake	56	STD523712	Bolt Fin Hex 3/8-16 x 1-1/4
3	123666X	Pulley, Transaxle	57	130801	V-Belt, Ground Drive
4	1200028	Ring, Retainer	58	127274X	Keeper, Belt, R.H.
5	121520X	Strap, Torque	59	140312	Keeper, Belt, Center Span
6	17490512	Screw, Thd., Roll. 5/16-18 x 3/4	61	17490612	Screw, Thd., Roll. 3/8-16 x 3/4
8	154792	Rod Shifter Fender STLT	62	8883R	Cover, Pedal
10	STD561210	Pin, Cotter	63	140186	Pulley, Engine
11	105701X	Washer, Shift Plate	64	71170764	Bolt, Hex Head, Fin. 7/16-20 x 4 Grade 5
13	74550412	Bolt 1/4-28 UNF W/Patch Grade 8	65	STD551143	Washer
14	STD551125	Washer	66	154778	Keeper, Belt, Engine, Fool-Proof
15	74490544	Bolt, Hex Flghd 5/16-18 Grade 5	70	134683	Guide, Mower Drive Belt, R.H.
18	STD523710	Bolt Fin Hex 3/8-16 UNC x 1. Gr 5	72	19132012	Washer 13/32 x 1-1/4 x 12 Gauge
19	STD541437	Nut	74	137057	Spacer, Axle
21	106933X	Knob	75	121749X	Washer 25/32 x 1-1/4 x 16 Gauge
22	130804	Rod, Brake	76	STD581075	E-Ring
24	STD541237	Nut	77	123583X	Key, Square 2.0 x .1845/.1865
25	106888X	Spring, Brake Rod	78	121748X	Washer 25/32 x 1-5/8 x 16 Gauge
26	STD551037	Washer	79	2228M	Key Woodruff #9 3/16 x 3/4
27	STD561210	Pin	80	145090	Arm, Shift
28	145204	Rod, Parking Brake	81	156049	Shaft Assembly
29	124236X	Cap, Parking Brake, Red	82	123782X	Spring, Torsion
30	130807	Bracket, Transaxle	83	19171216	Washer 17/32 x 3/4 x 16 Gauge
31	127275X	Keeper, Belt, L.H.	84	145643	Tie Rod
32	STD523107	Bolt	85	150360	Nut, Nylock
34	155071	Shaft Assembly, Foot Pedal	86	71208	Bushing, Pivot
35	120183X	Bearing, Nylon	87	19212016	Washer
36	STD551062	Washer	88	12000008	E-Ring
37	STD571810	Roll Pin	89	154886	Console, Shift, STLT
38	123674X	Pulley, Idler, Flat	90	124346X	Nut, Self-Threading, Washer Hd 1/4
39	STD523727	Bolt	96	STD624003	Retainer Spring 1" Zinc Cad
40	4470J	Spacer, Split .395 x .59	112	19091210	Washer 9/32 x 3/4 x 10 Gauge
41	154777	Keeper, Belt, Idler Fool-Proof	113	127285X	Strap Torque LT
42	19131312	Washer 13/32 x 13/16 x 12 Gauge	116	72110610	Bolt Rdhd Sqneck 3/8-16 x 1.25
47	127783	Pulley, Idler, V-Groove, Plastic	118	154774	Spacer Bellcrank
48	154604	Bellcrank Assembly	121	154419	Nyliner Clutching STL
49	123205X	Retainer, Belt			
50	STD523715	Bolt			
51	STD541437	Nut Crown Lock 3/8-16 UNC			
52	STD541431	Nut Crown Lock 5/16-18 UNC			

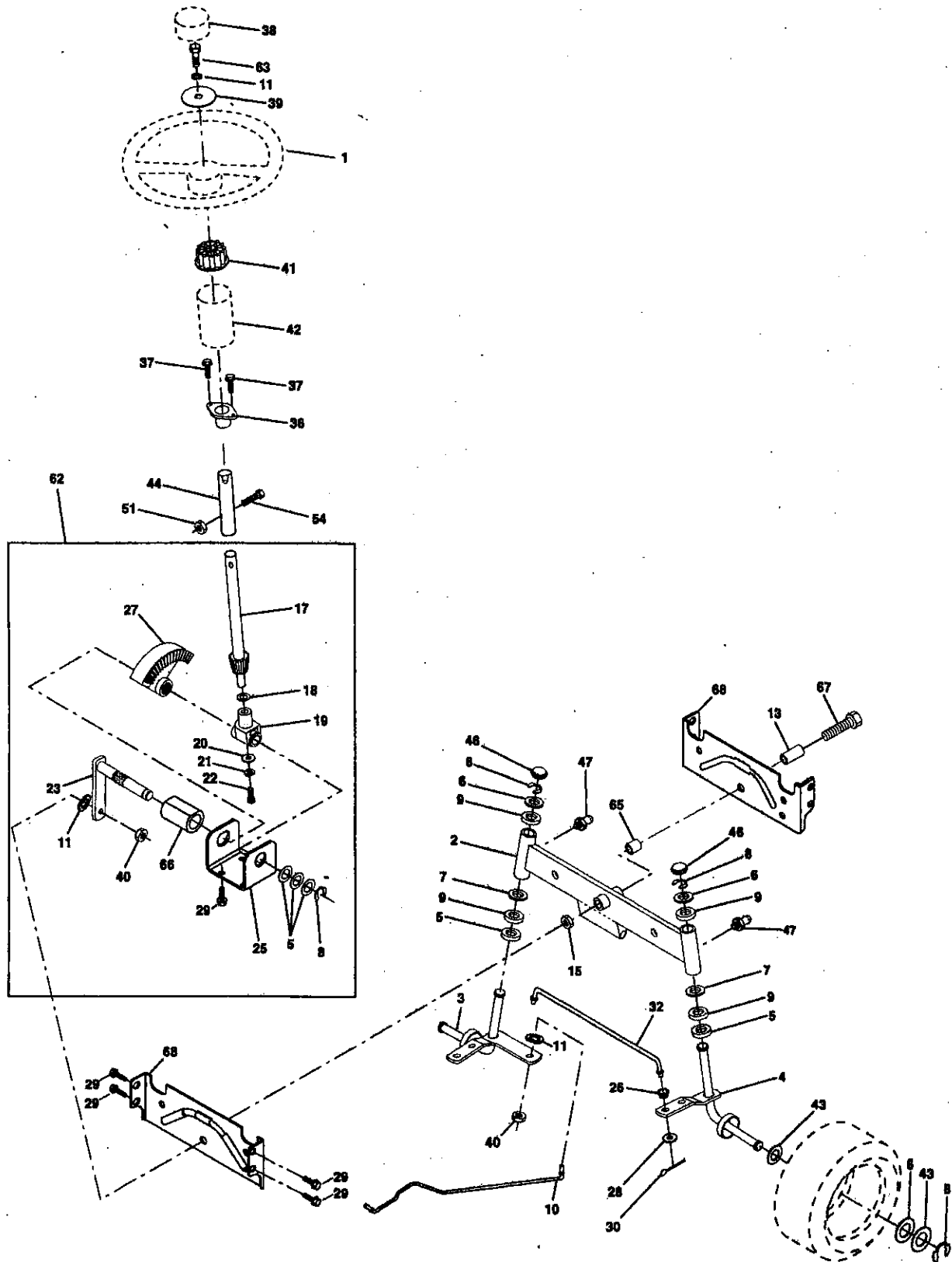
NOTE: All component dimensions given in U.S. inches
1 inch = 25.4 mm

REPAIR PARTS

TRACTOR -- MODEL NUMBER 917.258560

STEERING ASSEMBLY

65276-0



REPAIR PARTS

TRACTOR - - MODEL NUMBER 917.252760

STEERING ASSEMBLY

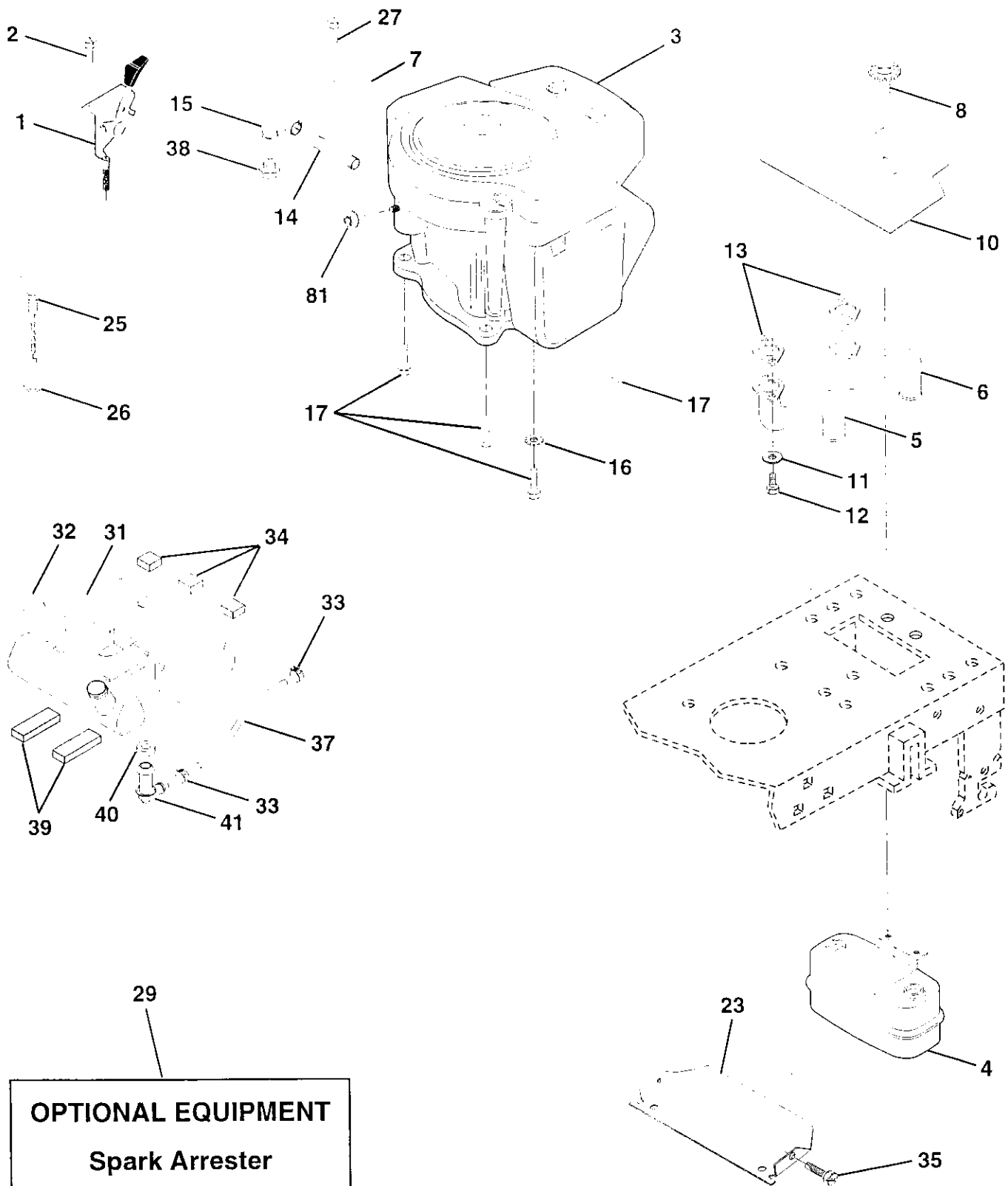
KEY NO.	PART NO.	DESCRIPTION
1	139768	Steering Wheel
2	154427	Axle Assembly STMP Dropped STL
3	154422	Spindle Assembly, L.H.
4	154423	Spindle Assembly, R.H.
5	6266H	Bearing, Race, Thrust, Hardened
6	121748X	Washer 25/32 x 1-5/8 x 16 Gauge
7	19272016	Washer 27/32 x 1-1/4 x 16 Gauge
8	12000029	Ring, Klip
9	3366R	Bearing, Steering Column
10	156438	Draglink Extended Stamped
11	STD551137	Washer, Lock
13	154779	Bearing Axle STLT/GT
15	73901000	Nut, Lock, Flange 5/8-11 UNC
17	156546	Shaft Assembly, Steering
18	57079	Washer, Thrust .515 x .750 x .033
19	124035X	Support, Shaft
20	126684X	Washer, Shim 1/4 x 5/8 x .062
22	71200410	Screw Hex Socket 1/4-20 x 5/8
23	127501	Pittman Shaft Assembly
25	154406	Bracket, Steering
26	126847X	Bushing, Link, Drag
27	136874	Gear, Sector
28	19131416	Washer 13/32 x 7/8 x 16 Gauge
29	17490612	Screw, Thd., Roll. 3/8-16 x 3/4
30	STD561210	Pin
32	130465	Rod, Tie
36	155099	Bushing, Steering
37	152927	Screw
38	139769	Insert, Steering Wheel
39	19133808	Washer 13/32 x 2-3/8 x 8 Gauge
40	STD541537	Gripco Nut
41	100711L	Adaptor, Steering Wheel
42	145054	Boot, Steering Shaft
43	121749X	Washer 25/32 x 1-1/4 x 16 Gauge
44	153720	Extension Shaft Steering LR.LT
46	121232X	Cap, Spindle
47	6855M	Fitting, Grease
51	STD541431	Nut Lock Hex w/Ins. 5/16-18 UNC
54	74780520	Bolt Fin Hex 5/16-18 UNC x 1-1/4
62	156594	Kit Steering Asm Service
63	STD523710	Bolt, Fin Hex 3/8-16 UNC x 1 Gr 5
65	154780	Spacer Axle
66	154404	Bearing Arm Pittman
67	74781044	Bolt, Fin Hex 5/8-11 UNC x 2-3/4
68	154429	Axle, Brace

NOTE: All component dimensions given in U.S. inches
1 inch = 25.4 mm

REPAIR PARTS

TRACTOR - - MODEL NUMBER 917.252760

ENGINE



REPAIR PARTS

TRACTOR - - MODEL NUMBER 917.252760

ENGINE

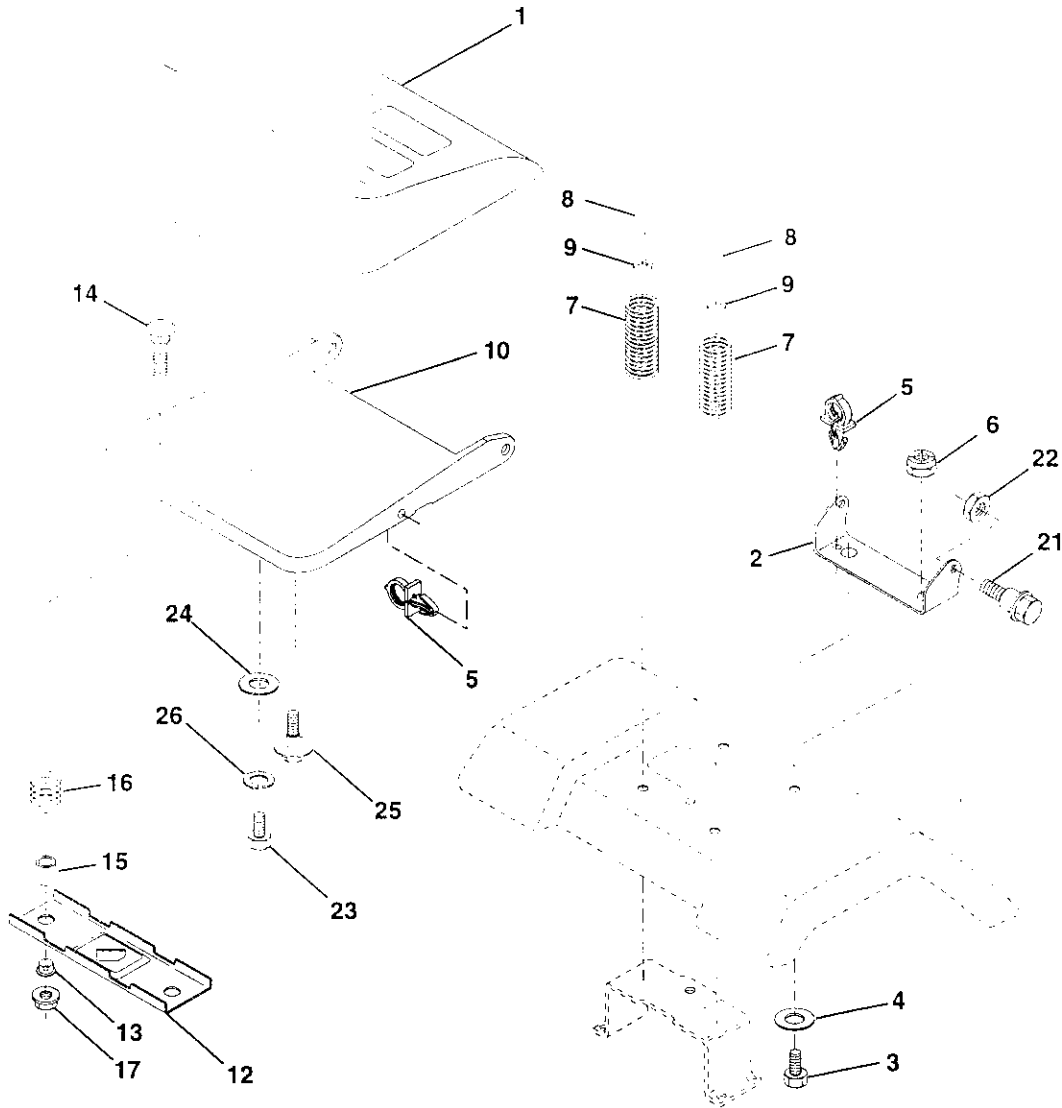
KEY NO.	PART NO.	DESCRIPTION
1	151273	Control Throt Paddle 32 22
2	17720410	Screw Hex Thd Cut 1/4-20x5/8 T
3	-----	Engine (See Breakdown) Briggs Model No. 42A707-1624-01
4	149723	Muffler Exhaust
5	144069	Exhaust Asm. Left
6	144068	Exhaust Asm. Right
7	138129	Clamp Tube Double Engine
8	150176	Bolt 5/16 - 18 UNC X 3/4 W/Sems
10	145552	Heat Shield Lt
11	STD551125	Washer Lock Hvy. Helical 1/4
12	STD522507	Bolt Fin Hex 1/4-20 x 3/4
13	272250	Gasket Muffler
14	13280336	Nipple Pipe 4-1/2"
15	13200300	Elbow Std 90 Degree 3/8-18 Npt
16	STD551237	Washer Lock Ext Tooth 3/8
17	17490624	Screw Thdrol 3/8-16x1-1/2 Tytt
23	156123	Shield Browning
25	145996	Control Choke
26	73920600	Nut Keps 3/8-24 Unf
27	152927	Screw TT #10-32 x 5 x 3/8 Flange
29	137180	Arrestor Spark
31	153630	Tank Fuel 3 50 Rear
32	155971	Cap Fuel Guage STLT
33	123487X	Clamp Hose Blk
34	106082X	Spacer Pad
35	17490512	Screw Thdrol 5/16-18 x 3/4 TYT
37	8543R	Line Fuel
38	-----	Plug Oil Drain (Order From Engine Manufacturer)
39	109227X	Pad Idler 1.75 x .75 x .06
40	3645J	Bushing
41	139277	Stem Tank Fuel
81	128861	Nut, Flange 1/4-20 Starter Nut

NOTE: All component dimensions given in U.S. inches
1 inch = 25.4 mm

REPAIR PARTS

TRACTOR - - MODEL NUMBER 917.252760

SEAT ASSEMBLY



KEY NO.	PART NO.	DESCRIPTION
1	140123	Seat
2	140551	Bracket Pnt Pivot Seat (blk)
3	74760616	Bolt Fin Hex 3/8-16 UNC x 1
4	19131610	Washer Flat 13/32 x 1 x 10 Ga
5	145006	Clip Push-In
6	STD541437	Nut Lock Hex W/Ins 3/8 -16 UNC
7	124181X	Spring Seat Cprsn 2 250 Blk Zi
8	17490616	Screw 3/8-16x1
9	19131614	Washer 13/32 x 1 x 14 Ga
10	155925	Pan Pnt Seat (blk)
12	121246X	Bracket Pnt Mounting Switch

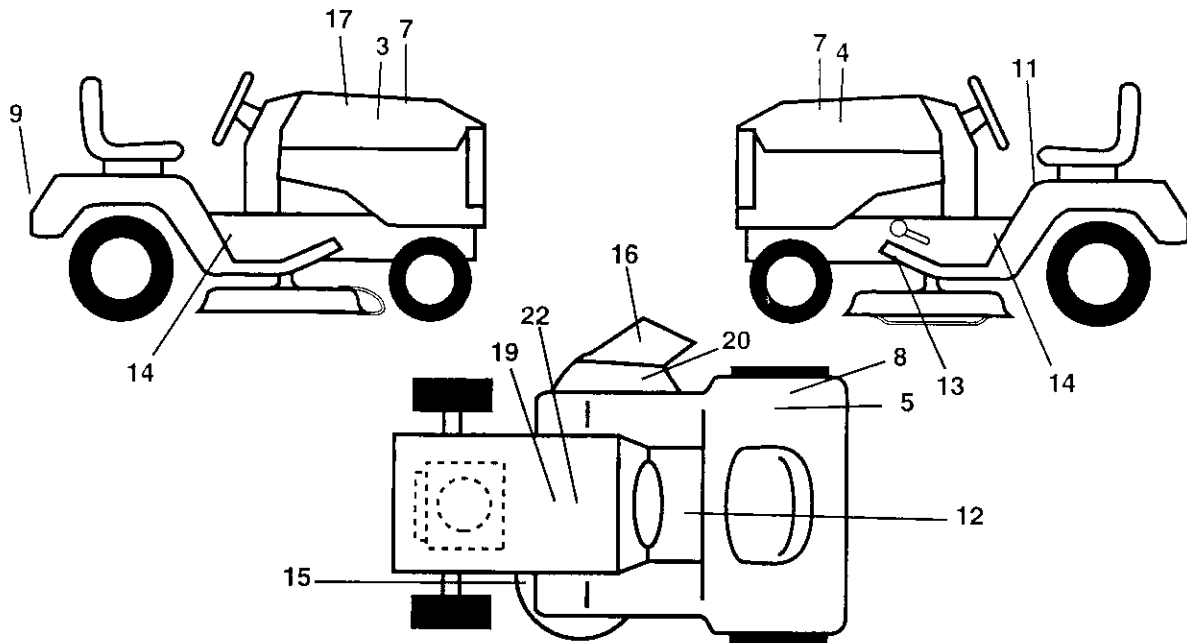
KEY NO.	PART NO.	DESCRIPTION
13	121248X	Bushing Snap Blk Nyl 50 Id
14	72050411	Bolt Rdhd Sht Nk 1/4-20x1-3/8
15	134300	Spacer Split 28 X 96 Zinc
16	121250X	Spring Cprsn 1 27 Blk Pnt
17	123976X	Nut Lock 1/4 Lge Flg Gr 5 Zinc
21	153236	Bolt Shoulder 5/16-18 Unc
22	STD541431	Nut Lock Hex W/Ins 5/16-18
23	74780814	Bolt Fin Hex 1/2-13 X 7/8 Gr 5
24	19171912	Washer 17/32 X 1-3/16 X 12 Ga
25	127018X	Bolt Shoulder 5/16-18 X 62
26	STD551150	Washer Lock Hvy Hlcl Spr 1/2

NOTE: All component dimensions given in U.S. inches
1 inch = 25.4 mm

REPAIR PARTS

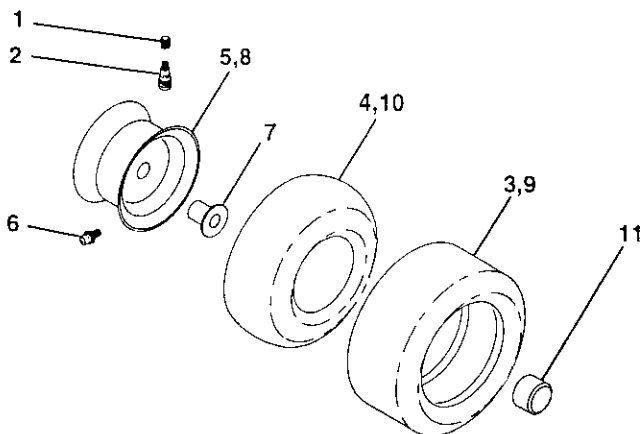
TRACTOR - - MODEL NUMBER 917.252760

DECALS



KEY NO.	PART NO.	DESCRIPTION	KEY NO.	PART NO.	DESCRIPTION
3	151299	Decal Hood Rh Craftsman	17	156798	Decal Insert, Hood
4	151300	Decal Hood Lh Craftsman	19	138047	Decal Battery Diehard Sears
5	125690X	Decal 100 DBA	20	156787	Decal Deck Mower EZ3 Mulching
7	150927	Decal Panel Side B&S	22	145005	Decal Battery
8	145437	Decal Europe Stand CE	--	138311	Decal Lift Handle
9	146709	Decal Fender Craftsman Gold	--	154515	Pad Footrest Lh STLT
11	156368	Decal Fender STLT Oper Inst E/S	--	154516	Pad Footrest Rh STLT
12	140837	Decal Saddle Brake Parking	--	159337	Manual, Operator's (Euro)
13	146046	Decal V-belt Dr Sch Tractor E	--	159338	Manual, Operator's (Scan)
14	147139	Decal Chassis 42"	--	159710	Manual, Parts
15	136832	Decal Mower Drive Schematic			

WHEELS & TIRES



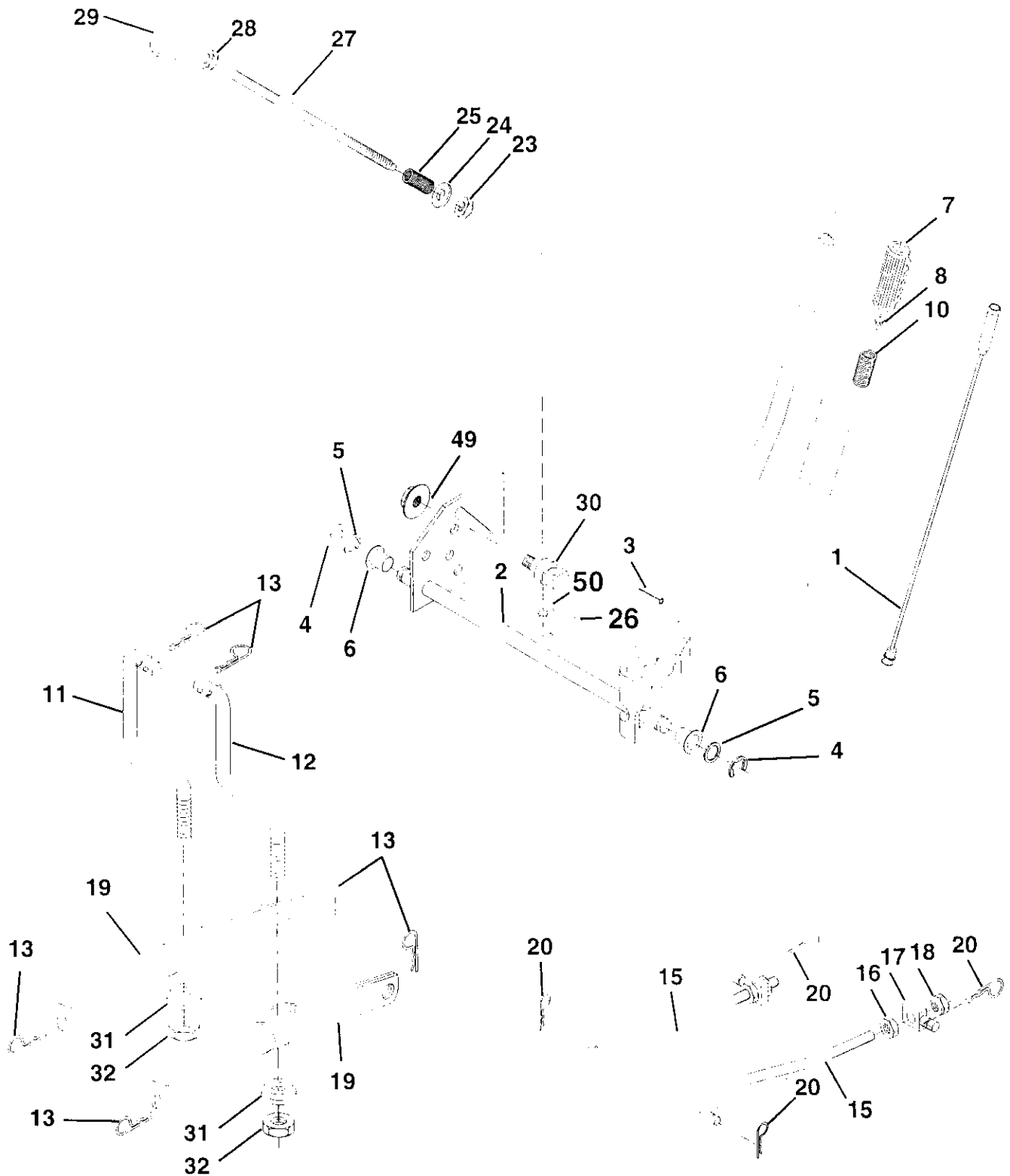
KEY NO.	PART NO.	DESCRIPTION
1	59192	Valve Cap, Tire
2	65139	Stem, Valve
3	106222X	Tire, Front
4	59904	Tube, Front Tire (Not Provided, Service Item Only)
5	106732X427	Rim, Front
6	278H	Fitting, Grease (Front Wheel Only)
7	9040H	Bearing, Flange (Front Wheel Only)
8	106108X427	Rim, Rear
9	122082X	Tire, Rear
10	7152J	Tube, Rear Tire (Not Provided, Service Item Only)
11	104757X	Cap, Axle
--	144334	Sealant, Tire (10 oz. Tube)

NOTE: All component dimensions given in U. S. inches
1 inch = 25.4 mm

REPAIR PARTS

TRACTOR -- MODEL NUMBER 917.252760

MOWER LIFT



REPAIR PARTS

TRACTOR - - MODEL NUMBER 917.252760

MOWER LIFT

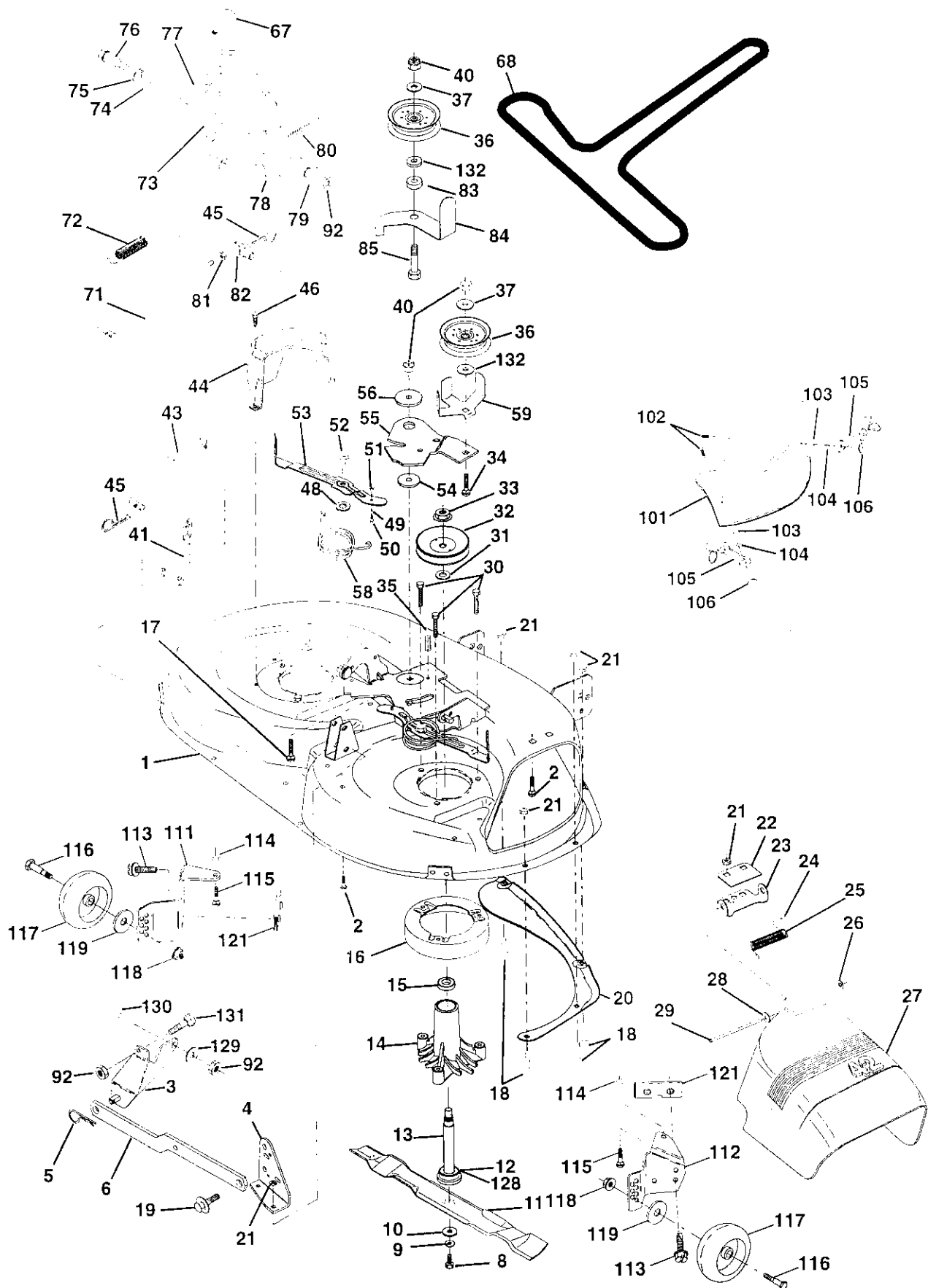
KEY NO.	PART NO.	DESCRIPTION
1	136973	Wire Assy., Inner, with Plunger
2	145117	Shaft Asm. Lift
3	105767X	Pin Groove
4	12000002	E Ring #5133-62
5	19211621	Washer 21/32 x 1 x 21 Ga.
6	120183X	Bearing Nylon
7	125631X	Grip Handle Fluted
8	122365X	Button Plunger Read
10	122512X	Spring Cprsn
11	139865	Link Lift Lh Fixed Length
12	139866	Link Lift Rh Fixed Length
13	STD624008	Retainer Spring
15	127218	Link Front
16	73350800	Nut Jam Hex 1/2-13 Unc
17	130171	Trunnion Blk Zinc
18	73800800	Nut Lock W/Wsh 1/2-13 Unc
19	139868	Arm Suspension Rear
20	STD624008	Retainer Spring
23	110807X	Nut Spring
24	19131016	Washer 13/32 x 5/8 x 16 Ga.
25	2876H	Spring 2-1/8"
26	STD560907	Pin cotter 3/32 x 1/2
27	126971X	Rod Adj. Lift
28	73350600	Nut Hex Jam 3/8-16
29	138057	Knob Inf. 3/8-16
30	150233	Trunnion Infin. Height
31	140302	Bearing, Pivot, Lift, Special
32	73540600	Nut, Crownlock 3/8-24
49	145212	Nut Flange Lock
50	110452X	Nut Push Phos & Oil

NOTE: All component dimensions given in U.S. inches
1 inch = 25.4 mm

REPAIR PARTS

TRACTOR - - MODEL NUMBER 917.252760

MOWER DECK



REPAIR PARTS

TRACTOR - - MODEL NUMBER 917.252760

MOWER DECK

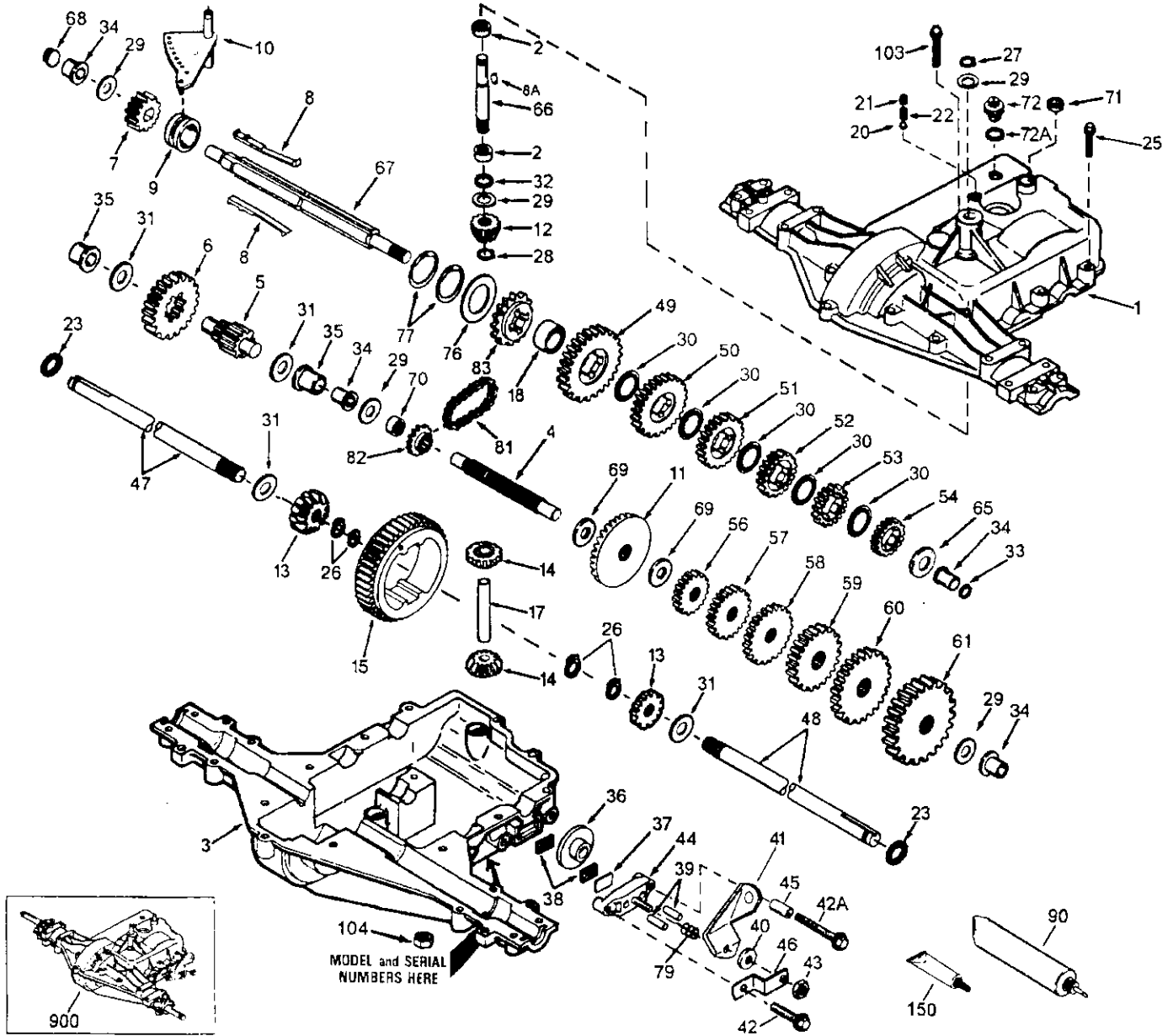
KEY NO.	PART NO.	DESCRIPTION	KEY NO.	PART NO.	DESCRIPTION
1	144393	Mower Deck Assembly, 42"	58	140086	Spring, Torsion, Brake
2	STD533107	Bolt	59	141043	Guard, Idler
3	138017	Bracket Asm Fr. Sway Bar	67	149846	Knob Custom Dual
4	138440	Bracket Asm Deck 42" Sway Bar	68	144200	V-Belt, 42" Mower
5	STD624008	Retainer Spring	71	142427	Rod, Clutch, Primary
6	130832	Arm, Suspension, Rear	72	131870	Spring, Extension, Return
8	850857	Bolt 3/8-24 x 1.25 Grade 8	73	127847	Arm, Clutch, Secondary
9	STD551137	Washer, Lock	74	121748X	Washer 25/32 x 1-5/8 x 16 Gauge
10	140296	Washer, Hardened	75	12000029	Ring, Klip
11	134149	Blade, Mulching, 42" Mower Deck	76	128903	Bolt, Shoulder 3/8-16 UNC x 1.44
12	129895	Bearing, Ball	77	127845	Keeper, Spring
13	137645	Shaft Assembly, Mandrel, Vented (Includes Key Number 12)	78	154809	Arm, Clutch, Primary
14	128774	Housing, Mandrel, Vented	79	127498	Bushing, Large, Brass
15	110485X	Bearing, Ball, Mandrel	80	153701	Spring, Mower Clutch
16	140329	Stripper, Vented Mower Deck	81	73350600	Nut, Hex, Jam 3/8-16
17	72110610	Bolt, Carriage 3/8-16 x 2-1/4	82	142028	Trunnion
18	STD533106	Bolt, Carriage 5/16-18 x 5/8	83	120958X	Washer Sintered
19	132827	Bolt, Shoulder	84	156084	Keeper, Belt Idler
20	136888	Baffle, Vortex	85	72140618	Bolt, RdHd Sqnk 3/8-16 x 2-1/4 Gr. 5
21	STD541431	Nut Crownlock 5/16-18	92	STD541137	Locknut, Hex W/Wash Insert
22	134753	Stiffener Bracket	101	136420	Mulcher cover
23	131267	Bracket, Deflector	102	71161010	Screw
24	105304X	Cap, Sleeve	103	19061216	Washer #10
25	123713X	Spring, Torsion, Deflector	104	STD551110	Washer, Lock
26	110452X	Nut, Push	105	130758	Latch Assembly, Bagger
27	130968	Shield, Deflector	106	2029J	Nut, Weld
28	19111016	Washer 11/32 x 5/8 x 16 Gauge	111	155197	Bracket, Gauge, Wheel L.H.
29	131491	Rod, Hinge	112	155198	Bracket, Gauge, Wheel R.H.
30	138776	Bolt 5/16-18 x 1.25	113	17490512	Screw, Thdrol 5/16 -18 x 3/4
31	129963	Washer, Spacer	114	STD541431	Nut, Hex Keps 5/16-18 UNC
32	153535	Pulley, Mandrel	115	72110504	Bolt, Carriage 5/16 UNC x 1/2
33	137266	Nut, Flanged, Toplock 9/16	116	137644	Bolt, Shoulder
34	STD533717	Bolt	117	133957	Wheel, Gauge
35	133835	Fastner, Christmas Tree	118	73930600	Nut, Centerlock 3/8-16
36	131494	Pulley, Idler, Flat	119	STD551037	Washer 3/8 x 7/8 x 14 Ga.
37	STD551037	Washer 13/32 x 13/16 x 16 Gauge	121	143723	Bracket, Extruded Gauge Wheel
40	STD541437	Nut, Crownlock	128	153390	Washer Felt
41	133551	Rod, Pivot, with Nibs	129	19131312	Washer 13/32 x 13/16 x 12 Ga
43	140083	Rod, Clutch, Secondary, with Nibs	130	STD523710	Bolt Fin Hex 3/8-16 UNC x 1 Gr5
44	140088	Guard, Mandrel, LH	131	STD533710	Bolt Rdhd Sqnk 3/8-16 UNC x 1
45	STD624003	Retainer	132	19132203	Spacer Washer 13/32 I.D. x 1-3/8 O.D. x 1/4
46	137729	Screw, Hex Hd, Thdcut 1/4-20 x 5/8	--	130794	Mandrel Assembly (Includes Key Numbers 8-10, 12-15, 31 and 33)
48	133944	Washer, Hardened	--	145411	Mower Deck, Complete (Standard Deck; Order Mulcher Plate and Gauge Wheel Components Separately - Key Nos. 101-106, 111-119, 121)
49	155066	Roller Assembly, Cam Follower			
50	131340	Bolt, Shoulder #10-24 Grade 5			
51	STD541410	Locknut			
52	139888	Bolt, Shoulder 5/16-18 UNC			
53	131845X900	Arm Assembly, Pad, Brake			
54	133943	Washer, Hardened			
55	155046	Arm, Idler			
56	122052X	Spacer, Retainer			

NOTE: All component dimensions given in U.S. inches
1 inch = 25.4 mm

REPAIR PARTS

TRACTOR - - MODEL NUMBER 917.252760

PEERLESS TRANSAXLE - MODEL NUMBER 930-057A



REPAIR PARTS

TRACTOR - - MODEL NUMBER 917.252760

PEERLESS TRANSAXLE - MODEL NUMBER 930-057A

REF PART NO. NO.	DESCRIPTION	REF PART NO. NO.	DESCRIPTION		
1	772108A	43	792075	Cover, Transaxle	Locknut 5/16-24
2	780086A	44	790025	Bearing, Needle	Holder, Brake Pad
3	770102A	45	786066	Case, Transaxle	Spacer
4	776260A	46	786086	Shaft, Counter	Bracket, Brake Lever
5	776219B	47	774690	Shaft and Pinion Assembly, Output	Axle 11-5/16" long
6	778139	48	774691	Gear, Output, 35 Teeth	Axle 16-1/2" long
7	778136	49	778215	Gear, Spur, 15 Teeth, Steel	Gear, Spur, 37 Teeth, Steel (1 st)
8	792136A	50	778125	Key, Shift	Gear, Spur, 35 Teeth (2 nd)
8A	792047	51	778124A	Key, Woodruff	Gear, Spur, 30 Teeth (3 rd)
9	784352	52	778123A	Collar, Shifter	Gear, Spur, 25 Teeth (4 th)
10	784355	53	778122A	Rod and Fork Assembly, Shift	Gear, Spur, 22 Teeth (5 th)
11	778229	54	778273	Gear, Bevel, 42 Teeth	Gear, Spur, 19 Teeth, Steel (6 th)
12	778113A	56	778230	Bevel Pinion, Input	Gear, Spur, 12 Teeth, Steel (1 st)
13	778221	57	778151	Gear, Bevel, 16 Teeth	Gear, Spur, 15 Teeth (2 nd)
14	778068	58	778126A	Gear, Bevel Pinion	Gear, Spur, 20 Teeth (3 rd)
15	778260	59	778127A	Gear, Ring	Gear, Spur, 25 Teeth (4 th)
17	786139	60	778128A	Pin, Drive	Gear, Spur, 28 Teeth (5 th)
18	786102	61	778163	Spacer, Neutral	Gear, Spur, 31 Teeth (6 th)
20	792077	65	780109	Ball, Steel 5/16" diameter	Washer, Thrust
21	792078	66	776135	Set Screw 3/8-16 x 3/8	Shaft, Input
22	792079	67	776315A	Spring	Shaft, Brake, 4 Keyed
23	788061	68	786116A	Ring, Seal	Plug
25	792073	69	780051	Screw, Flanged Hex Head, Thread Forming 1/4-20 x 1-1/4	Washer, Thrust
26	792125	70	786118	Ring, Retainer	Spacer
27	792035	71	788069	Ring, Retainer	Square Cut Ring
28	788040	72	792165	Ring, Retainer	Plug, Threaded 9/16-18
29	780072	72A	788091	Washer, Thrust	"O" Ring
30	780108	76	780090	Washer, Thrust	Washer, Thrust
31	780001	77	788078A	Washer, Thrust	Ring, Retaining, Inverted (Package of 2)
32	792001	79	792144	Washer	Spring, Brake
33	788095	81	786081	"O" Ring	Chain, Roller
34	780105A	82	786082	Seal, Square Cut	(Number 41 Chain, 24 Links)
35	780118A	83	786123	Bushing, Flanged	Sprocket, 9 Teeth (Reverse)
36	790003	90	788067B	Bushing, Flanged	Sprocket, 18 Teeth (Reverse)
37	790007	103	792166	Disk, Brake	Grease, Bentonite, 32 Ounce Bottle
38	799021	104	792167	Plate, Brake Pad	Screw 1/4-20 x 2
39	786026	150	788093	Pad, Brake (Package of 2)	Locknut 1/4-20
40	792076A	900	794602	Pin, Dowel	Gasket Eliminator (Loctite #515)
41	790079			Washer, Flat	Replacement Transaxle
42	792073			Lever, Brake	
42A	792085A			Screw, Flanged Hex Head, Thread Forming 1/4-20 x 1-1/4	
				Screw 1/4-20 x 2-1/4	

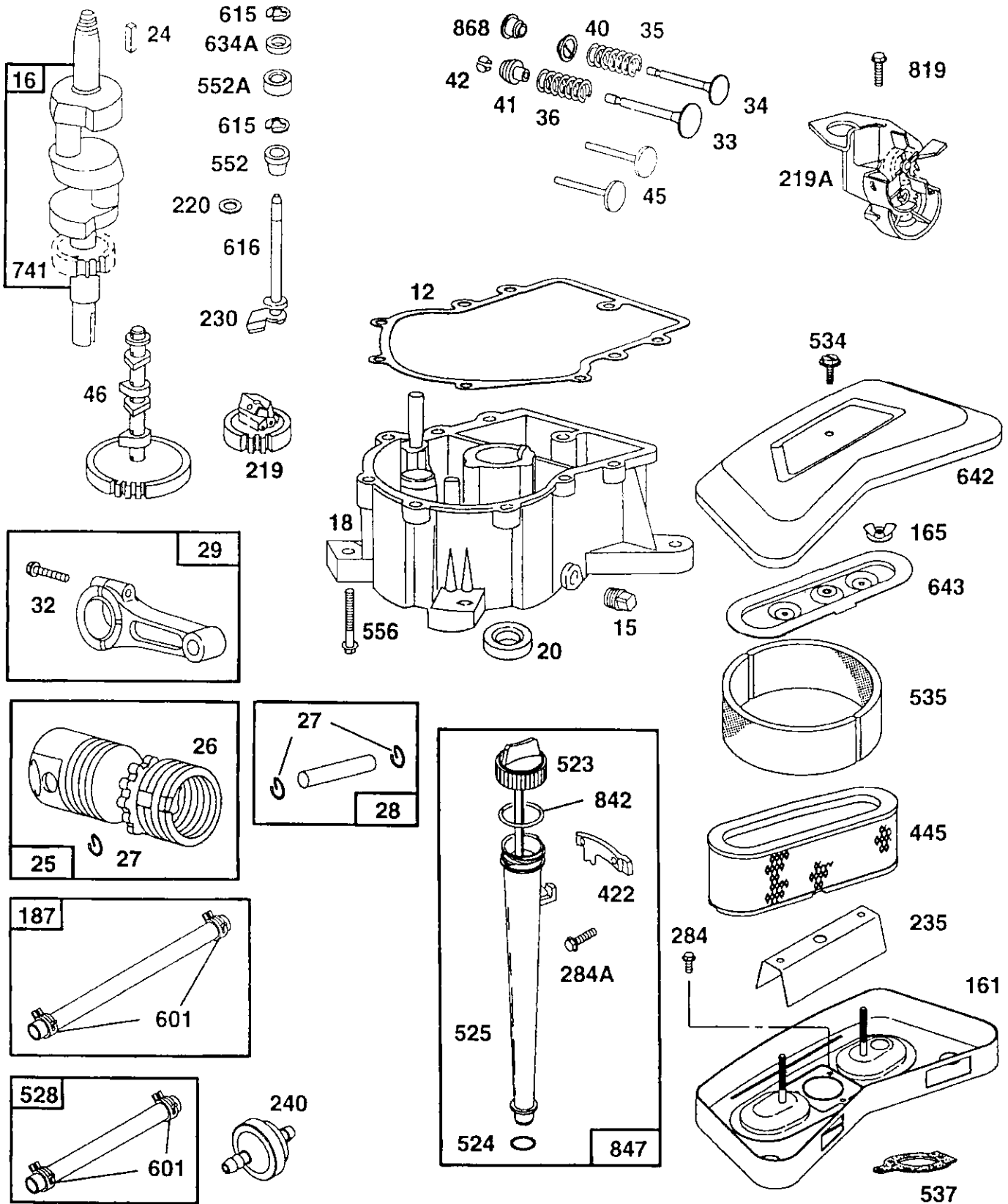
NOTE: All component dimensions given in U.S. inches
1 inch = 25.4 mm

Parts must be ordered from Tecumseh Products Co.

REPAIR PARTS

TRACTOR - - MODEL NUMBER 917.252760

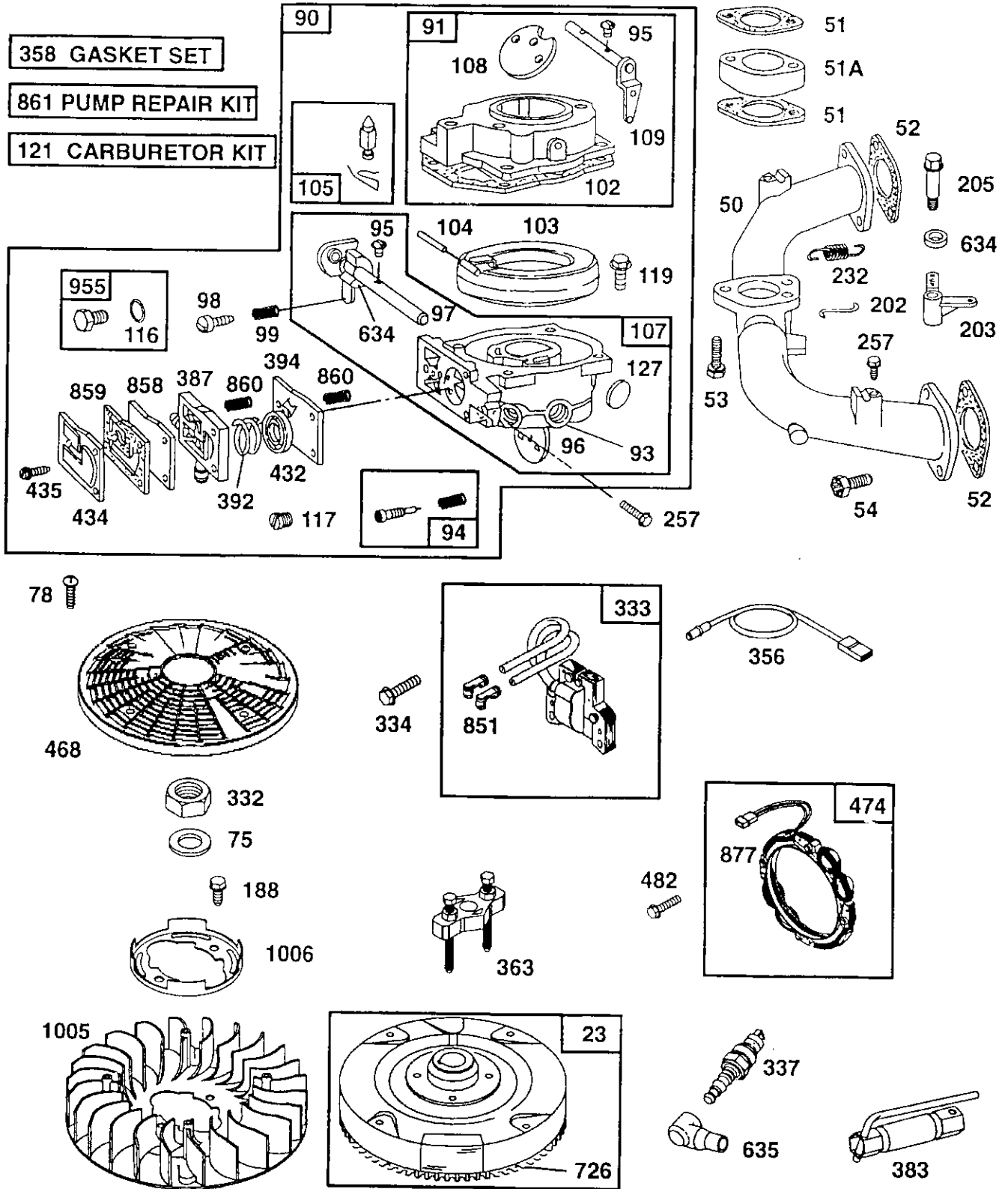
BRIGGS & STRATTON ENGINE - MODEL NUMBER 42A707, TYPE NUMBER 1624-01



REPAIR PARTS

TRACTOR - - MODEL NUMBER 917.252760

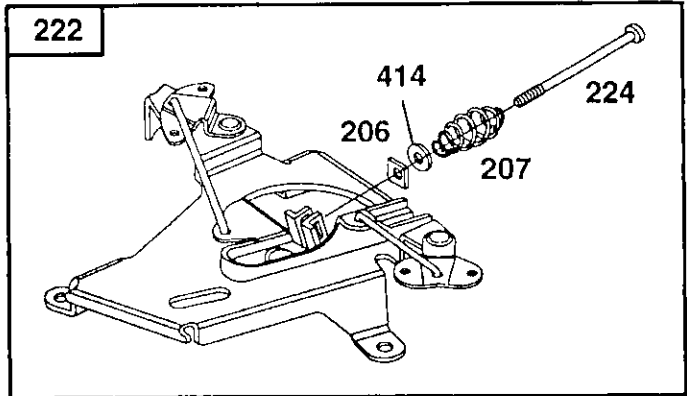
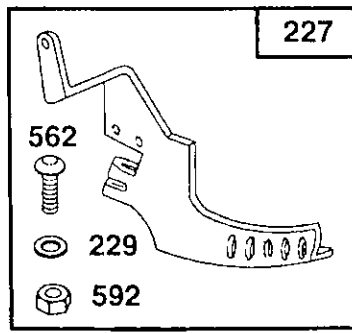
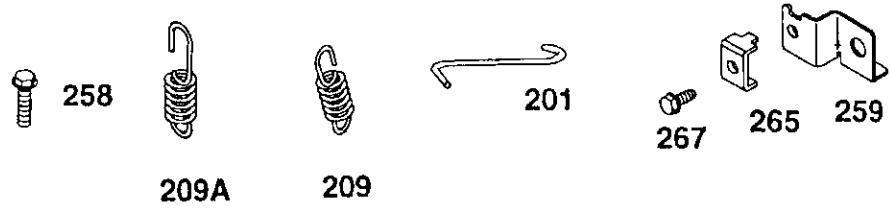
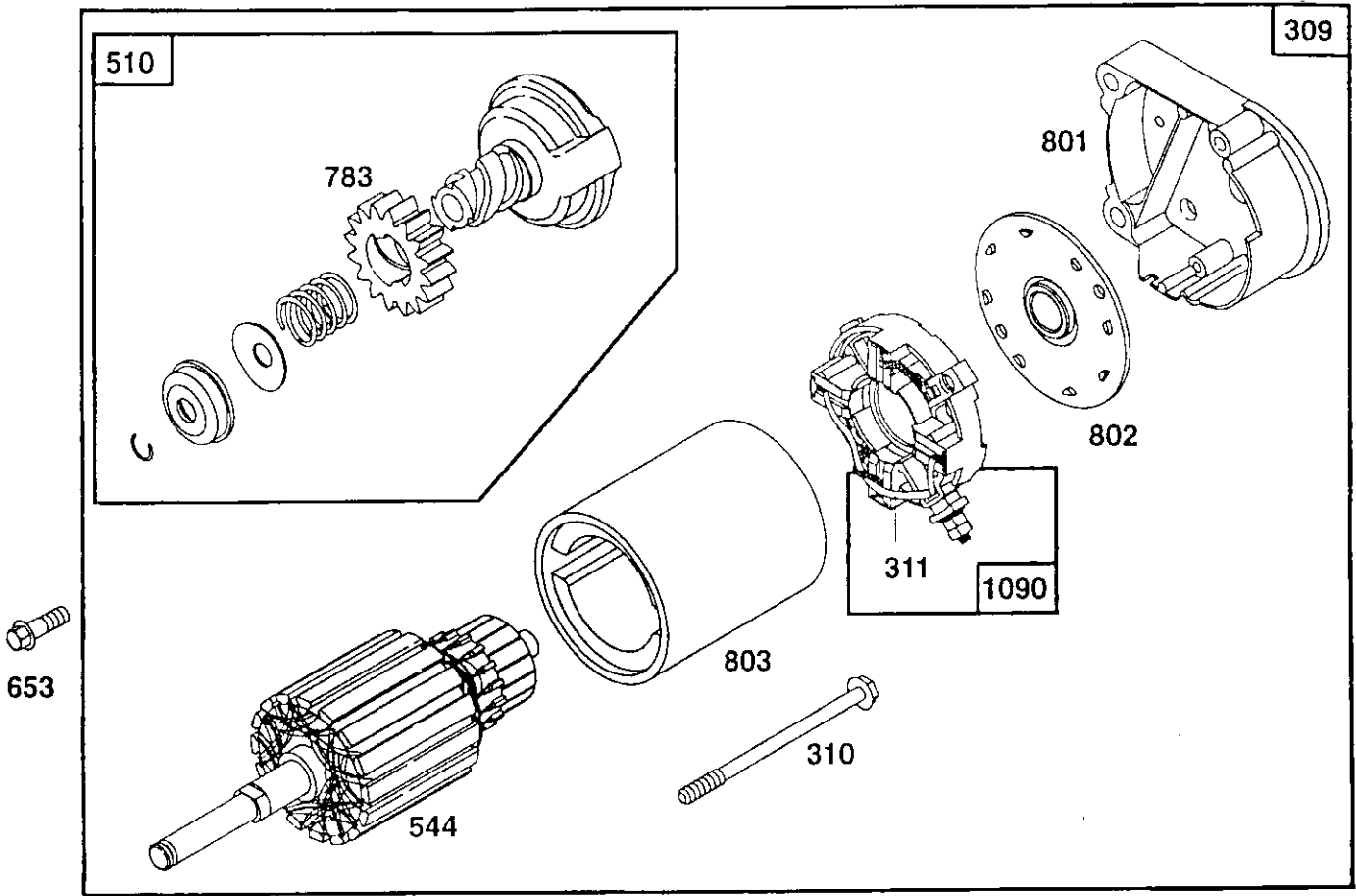
BRIGGS & STRATTON ENGINE - MODEL NUMBER 42A707, TYPE NUMBER 1624-01



REPAIR PARTS

TRACTOR -- MODEL NUMBER 917.252760

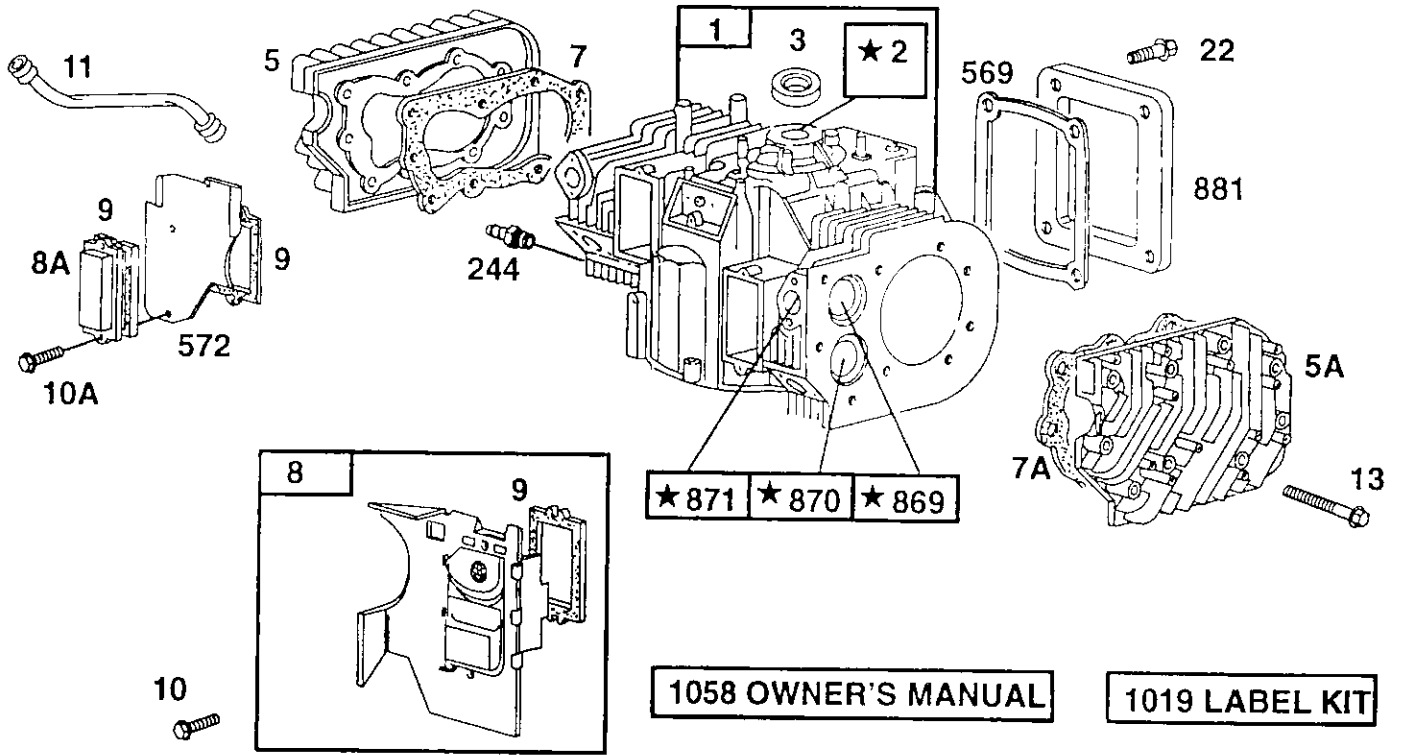
BRIGGS & STRATTON ENGINE - MODEL NUMBER 42A707, TYPE NUMBER 1624-01



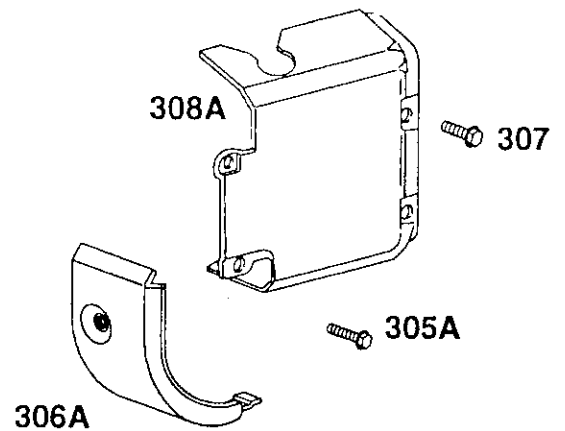
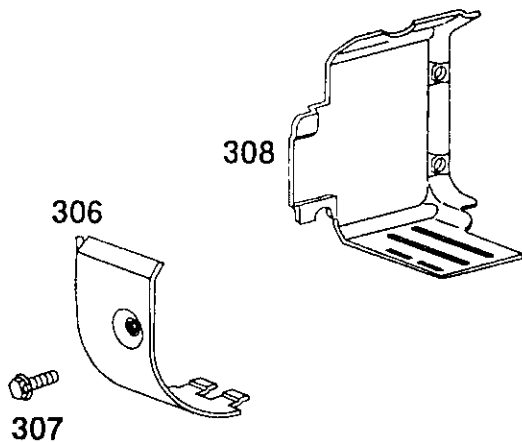
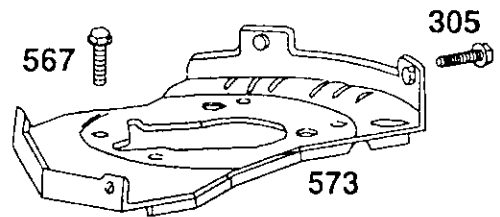
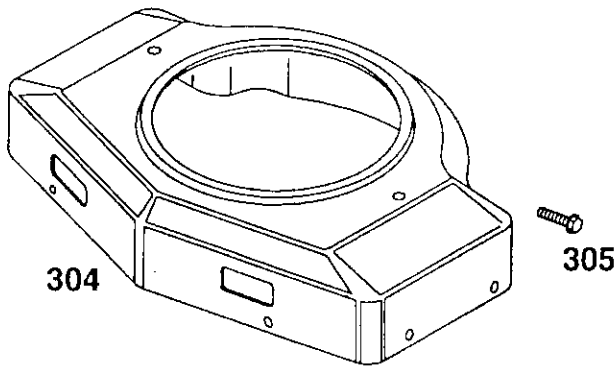
REPAIR PARTS

TRACTOR - - MODEL NUMBER 917.252760

BRIGGS & STRATTON ENGINE - MODEL NUMBER 42A707, TYPE NUMBER 1624-01



★ REQUIRES SPECIAL TOOLS TO INSTALL. SEE REPAIR INSTRUCTION MANUAL.



REPAIR PARTS

TRACTOR - - MODEL NUMBER 917.252760

BRIGGS & STRATTON ENGINE - MODEL NUMBER 42A707, TYPE NUMBER 1624-01

KEY PART NO. NO.	DESCRIPTION	KEY PART NO. NO.	DESCRIPTION
1 497074	Cylinder Assembly	54 94764	Screw, Sems
2 399265	Bushing	75 222511	Washer, Spring
3 391086	* Seal, Oil	78 94834	Screw, Sems
5 493457	Head, Cylinder #1	90 495181	Carburetor
5A 493458	Head, Cylinder #2	91 495035	Body Assembly, Upper
7 271867	* Gasket, Cylinder Head #1	93 231209	Bushing, Throttle Shaft
7A 271868	* Gasket, Cylinder Head #2	94 491538	** Valve, Idle Adjust
8 495754	Breather Assembly #1	95 93499	Screw, Sems
8A 222892	Cover, Breather Cylinder #2 (Used Only on Key #572, Air Baffle with Holes for Mounting)	96 221939	Valve, Throttle
		97 392672	Shaft, Throttle
		98 91920	Screw, Fillister Head
		99 26157	Spring, Throttle Adjust
9 27803	* Gasket, Breather	102 271607	** Gasket, Carburetor Body
10 94382	Screw, Sems	103 298514	Float, Carburetor
10A 94830	Screw, Sems	104 230896	** Pin, Float Hinge
11 280225	Tube, Breather	105 394683	** Valve, Needle
12 271703	* Gasket, Crankcase, .015" Thick	107 491543	Body Assembly, Lower
	* Gasket, Crankcase, .005" Thick	108 223534	Valve, Choke
	* Gasket, Crankcase, .009" Thick	109 392673	Shaft, Choke
13 94565	Screw, Cylinder Head	116 280474	* O-Ring
15 94239	Plug, Oil Drain	117 231338	Jet, Needle Valve, Fixed
16 394028	Crankshaft		Jet, Needle Valve, Fixed, High Altitude
	Timing Gear Key		Screw, Hex Head
18 493304	Sump, Engine	119 94152	Carburetor Kit
20 291675	* Seal, Oil	121 491539	** Plug, Welch
22 94724	Screw, Sems	127 223472	Base, Air Cleaner
23 491180	Flywheel	161 496599	Nut, Wing
24 222698	Key, Flywheel	165 94289	Line, Fuel, 28" Long (Cut to Suit)
25 394955	Piston Assembly, Standard Size	187 299146	Screw
	Piston Assembly, .010" Oversize	188 94627	Link
	Piston Assembly, .020" Oversize	201 262683	Link
	Piston Assembly, .030" Oversize	202 262684	Crank, Bell
26 394959	Ring Set, Standard Size	203 280997	Screw, Hex Head
	Ring Set, .010" Oversize	205 93971	Nut, Square
	Ring Set, .020" Oversize	206 94298	Spring, Control Rod
	Ring Set, .030" Oversize	207 262337	Spring, Governor
27 260924	Lock, Piston Pin	209 262352	Spring, Governor Idle
28 299691	Pin, Piston, Standard Size	209A 261563	Gear, Governor
	Pin, Piston, .005" Oversize	219 394348	Oil Slinger
29 394306	Rod, Connecting, Standard Size	219A 393415	Bracket, Control
	Rod, Connecting, .020" Undersize	222 491282	Screw, Pan Head
32 94671	Screw, Connecting Rod	224 94297	Lever Assembly, Governor
33 390420	Valve, Exhaust	227 491297	
34 261528	Valve, Intake		
35 65906	Spring, Valve, Intake		
36 26828	Spring, Valve, Exhaust		
40 221596	Retainer, Valve, Intake		
41 292260	Retainer, Valve, Exhaust		
42 494553	Keeper, Valve		
45 261368	Tappet, Valve		
46 213520	Gear, Cam		
50 213290	Manifold, Intake		
51 271412	**** Gasket, Carburetor Mounting		
51A 281411	Spacer, Carburetor		
52 270884	* Gasket, Intake Manifold Mounting		
53 93970	Screw, Hex Head, Carburetor to Manifold		

NOTE: All component dimensions given in U.S. inches
1 inch = 25.4 mm

REPAIR PARTS

TRACTOR - - MODEL NUMBER 917.252760

BRIGGS & STRATTON ENGINE - MODEL NUMBER 42A707, TYPE NUMBER 1624-01

KEY PART NO. NO.	DESCRIPTION	KEY PART NO. NO.	DESCRIPTION
230 223882	Washer, Governor Crank, Inside	569 272645	* Gasket, Base
235 224995	Shield, Fuel Spray	572 224816	Baffle, Air, Cylinder #2
240 394358	Filter, Fuel	573 491304	Plate, Back
244 230318	Connector, Fuel Line	592 92278	Nut, Hex.
257 93897	Screw, Sems	601 93053	Clamp, Hose
258 94623	Screw, Sems	615 94296	Retainer, E-Ring
259 223890	Bracket, Cable	616 491530	Crank, Governor
265 221535	Clamp, Casing	634 271013	** Washer, Throttle Shaft
267 94906	Screw, Sems	634A 491287	* Seal, Governor Shaft
284 94674	Screw, Hex Head	635 66538	Boot, Spark Plug
284A 94694	Screw, Hex Head	642 225008	Cover, Air Cleaner
304 495587	Housing, Blower, Red	643 496700	Plate, Air Cleaner
305 94786	Screw, Sems	653 93585	Screw, Hex Head
305A 93343	Screw, Sems	726 391362	Gear, Ring (Includes Mounting Parts)
306 222846	Shield, Cylinder	741 262989	Gear, Timing
306A 223734	Shield, Cylinder	783 280104	Gear, Starter
307 94386	Screw, Self-Tapping	801 394860	Cap, Drive
308 224774	Cover, Air Guide	802 497607	Cap, End
308A 224775	Cover, Air Guide	803 497604	Housing, Starter
309 497596	Motor, Starter	819 94675	Screw, Hex Head
310 94003	Bolt, Thru	842 270920	* Seal, Cap
311 497608	Brush Set	847 495715	Tube Assembly, Oil
332 230674	Nut, Hex	851 221798	Terminal, Cable
333 394891	Armature, Magneto	858 270989	*** Diaphragm, Carburetor
334 93381	Screw, Sems	859 271025	*** Gasket, Pump
337 802592	Plug, Spark	860 261358	*** Spring, Diaphragm
356 494705	Wire, Stop	861 393397	Repair Kit, Pump
358 491856	Gasket Set	868 497212	Seal, Valve
363 19203	Flywheel Puller	869 261463	Seat, Valve, Intake
383 89838	Wrench, Spark Plug	870 213316	Seat, Valve, Exhaust
387 280197	Body, Pump	871 261961	Bushing, Guide (Exhaust Only)
392 261395	*** Spring, Diaphragm	231218	Bushing, Guide (Intake, Brass)
394 270988	*** Diaphragm, Carburetor	877 393456	Wire, Alternator
414 220680	Washer	881 495901	Plate, Cover
422 222875	Bracket, Oil Fill	955 397882	Plug and Seal, Solenoid
432 221377	*** Cap, Spring	1005 281053	Fan, Flywheel
434 223688	Cover, Diaphragm	1006 224413	Retainer, Fan
435 93829	Screw, Diaphragm Cover	1019 496726	Label Kit
445 394019	Filter, Air	1058 272112	Owner's Manual
468 497908	Screen, Rotating	1090 497605	Retainer, Brush
474 393474	Alternator, Dual Circuit		
482 93621	Screw, Sems		
510 497606	Drive, Starter		RPM Settings: Low Speed: 1600-1800 High Speed: 3200-3400
523 494947	Cap, Oil Fill		
524 271157	* Seal, Fill Tube		
525 495348	Tube, Oil Fill (Includes Seals)		* Included in Gasket Set (495868)
528 393815	Pipe, Fuel		** Included in Carburetor Kit (491539)
534 94823	Screw, Air Cleaner		*** Included in Carburetor Kit (491539), and Pump Repair Kit (393397)
535 272490	Filter, Air		**** Included in Gasket Set (495868), and Carburetor Kit (491539)
537 271411	**** Gasket, Air Cleaner		
544 497603	Armature, Starter		
552 262332	Lower Bushing, Governor		
552A 262331	Upper Bushing, Governor		
556 93585	Screw, Hex Head		
562 93853	Bolt, Governor Lever		
567 94811	Screw, Hex Head, Back Plate to Cylinder		

NOTE: All component dimensions given in U.S. inches
1 inch = 25.4 mm

SERVICE NOTES
