



REPAIR PARTS MANUAL

MODEL NO. 252761

Lawn Tractor

CRAFTSMAN®

HOW TO USE THIS MANUAL

This manual is designed to provide the customer with a means to identify the parts on his/her tractor when ordering repair parts. The illustrations may or may not represent the actual assemblies; therefore, it is not recommended to use this manual as a guide to assemble or disassemble the tractor. Some hardware and parts are drawn larger in order to more readily identify them.

Each tractor has its own model number.

The model number for your tractor can be found on the fender under the seat.

When ordering parts, always give the following information:

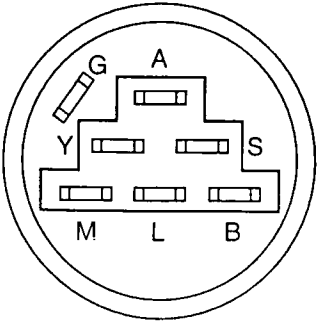
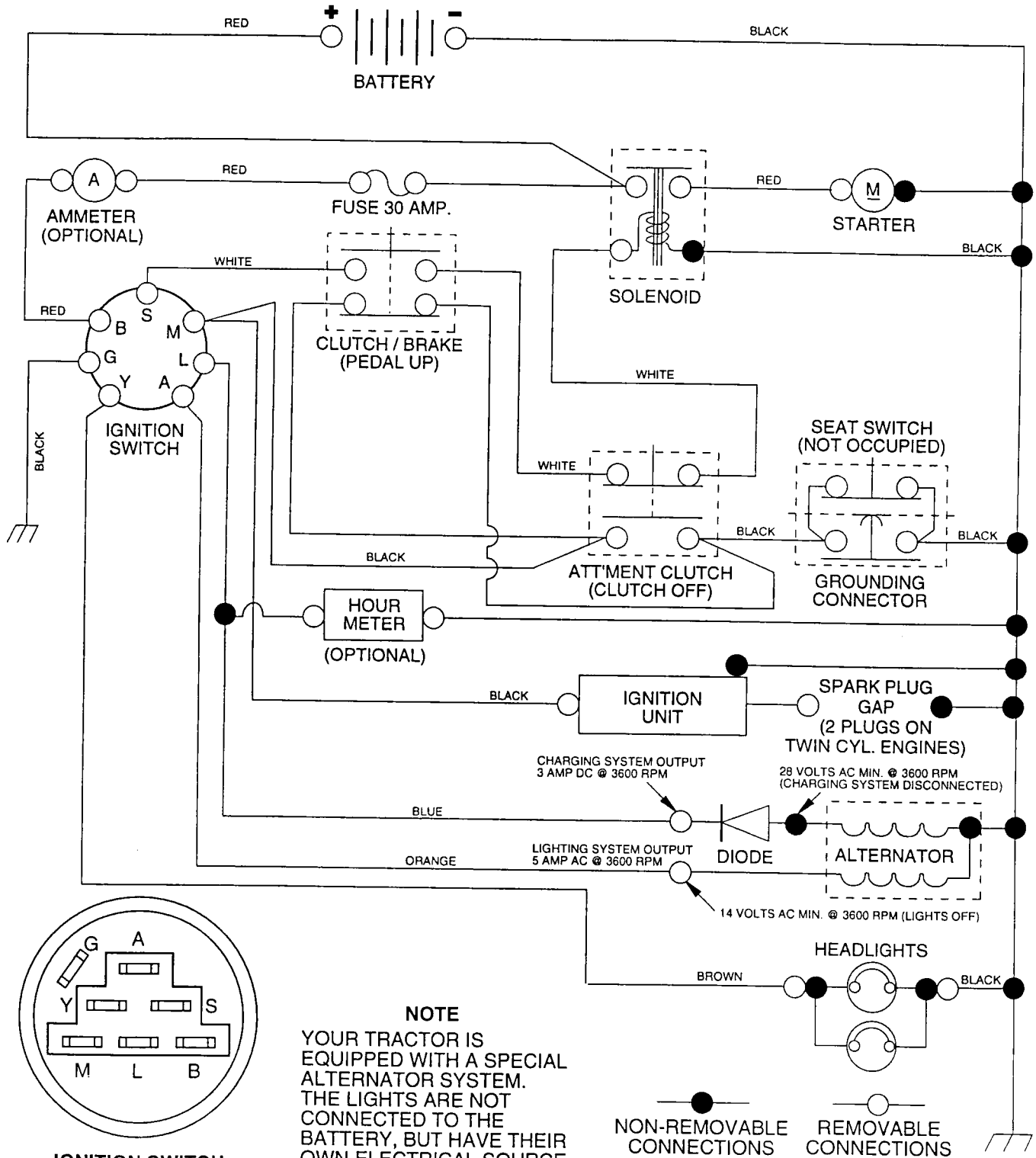
- Product - "Tractor"
- Model Number - "252761"
- Part Number
- Part Description

TABLE OF CONTENTS

SCHEMATIC	3
ELECTRICAL	4-5
CHASSIS	6-7
DRIVE	8-9
STEERING WHEEL	10-11
ENGINE	12-13
DECALS	14
SEAT	15
MOWER LIFT LEVER.....	16-17
MOWER DECK	18-19
TRANSAXLE	20-21

TRACTOR - MODEL NUMBER 917.252761

SCHEMATIC



IGNITION SWITCH

POSITION	CIRCUIT	"MAKE"
OFF	G + M + L	NONE
RUN/LIGHT	B + L	A + Y
RUN	B + L	NONE
START	B + L + S	NONE

NOTE
 YOUR TRACTOR IS EQUIPPED WITH A SPECIAL ALTERNATOR SYSTEM. THE LIGHTS ARE NOT CONNECTED TO THE BATTERY, BUT HAVE THEIR OWN ELECTRICAL SOURCE. BECAUSE OF THIS, THE BRIGHTNESS OF THE LIGHTS WILL CHANGE WITH ENGINE SPEED. AT IDLE THE LIGHTS WILL DIM. AS THE ENGINE IS SPEEDED UP, THE LIGHTS WILL BECOME THEIR BRIGHTEST.

NON-REMOVABLE CONNECTIONS REMOVABLE CONNECTIONS

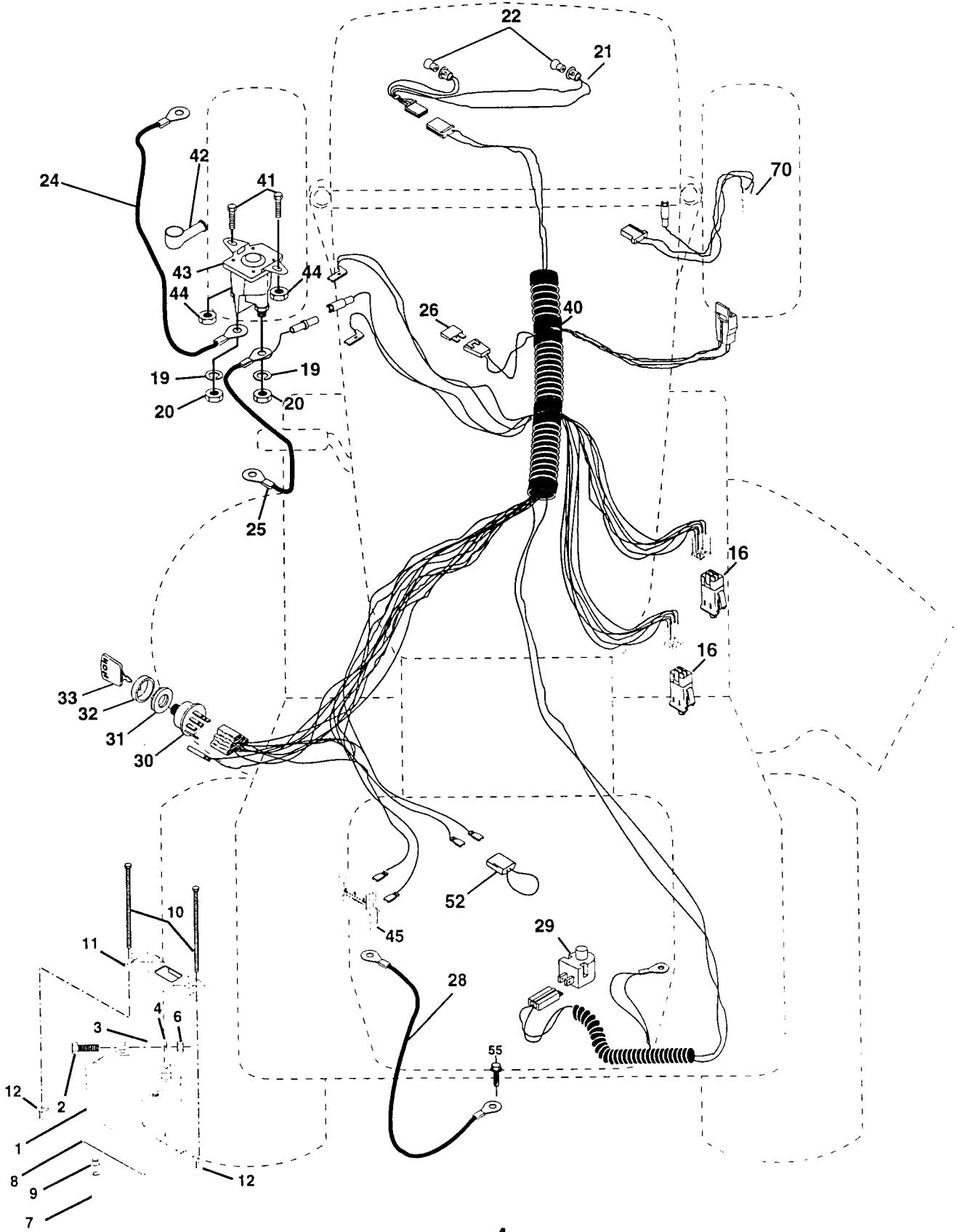
WIRING INSULATED CLIPS

NOTE: IF WIRING INSULATED CLIPS WERE REMOVED FOR SERVICING OF UNIT, THEY SHOULD BE REPLACED TO PROPERLY SECURE YOUR WIRING.

REPAIR PARTS

TRACTOR -- MODEL NUMBER 917.252761

ELECTRICAL



REPAIR PARTS

TRACTOR - - MODEL NUMBER 917.252761

ELECTRICAL

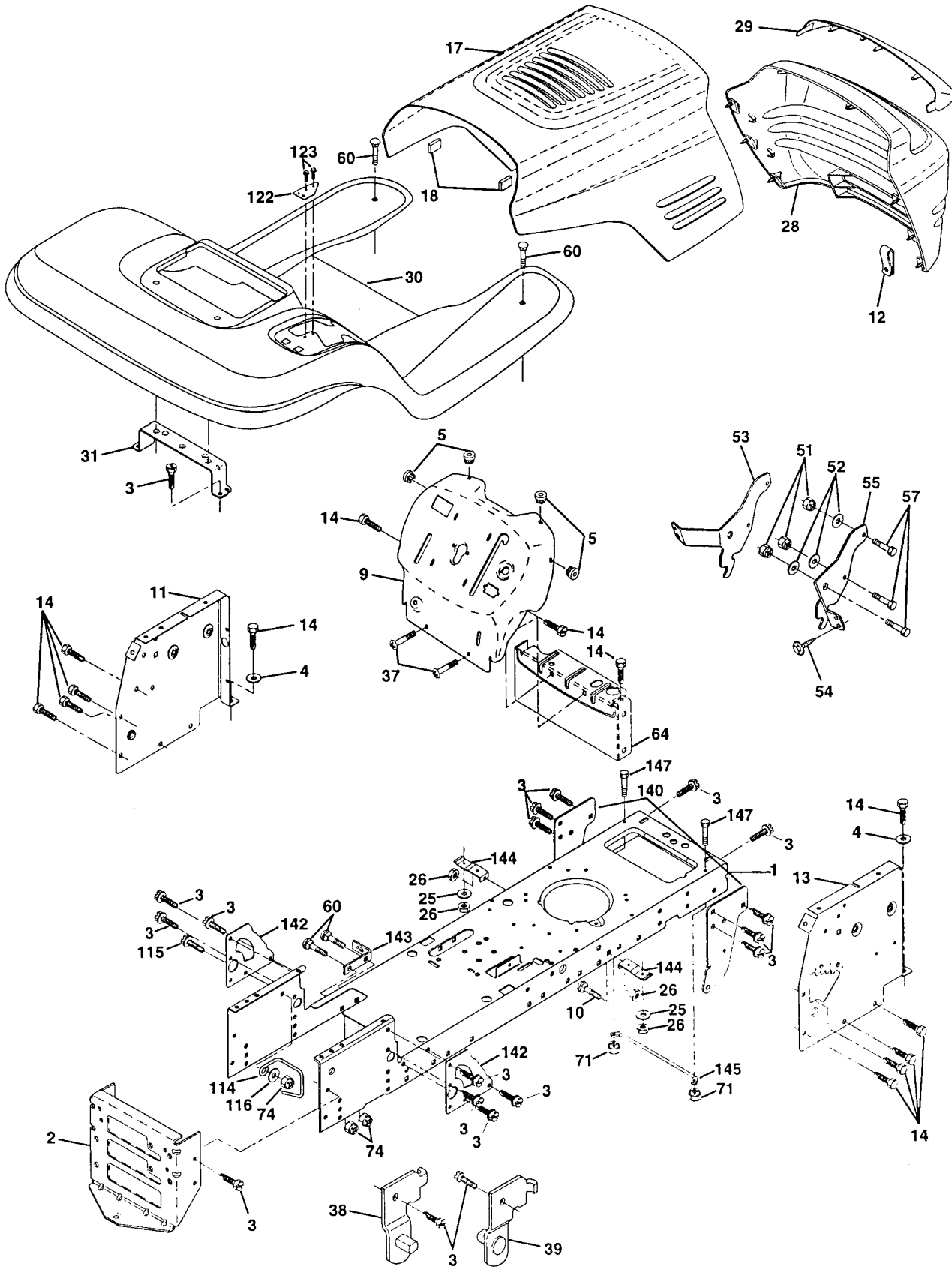
KEY NO.	PART NO.	DESCRIPTION
1	144926	Battery
2	74760412	Bolt, Hex 1/4-20 x 3/4
3	STD551025	Washer 9/32 x 5/8 x 16 Gauge
4	STD551125	Washer, Lock 1/4
6	STD541025	Nut, Hex 1/4-20
7	7697J	Tube
8	7603J	Tray, Battery
9	109596X	Clamp, Hose
10	145211	Bolt, Btr Front 1/4-20 x 7-1/2
11	150109	Holddown Battery Front Mount
12	145769	Nut, Push Nylon Battery Front 1/4
16	153664	Switch Interlock Push-In
19	STD551125	Washer, Lock 1/4
20	73350400	Nut, Hex, Jam 1/4-20
21	147430	Harness, Light Socket (w/4152J)
22	4152J	Light Bulb
24	4799J	Cable, Battery
25	146148	Cable, Battery
26	108824X	Fuse
28	145491	Cable, Ground
29	121305X	Switch, Seat
30	140301	Switch, Ignition 4 Position
31	124211X	Nut, Ignition
32	141226	Cover, Ignition Switch
33	109310X	Key, Molded, Craftsman
40	156442	Harness, Ignition
41	71110408	Bolt Blk Fin Hex 1/4-20 UNC x 1/2
42	131563	Cover, Terminal
43	145673	Solenoid
44	73640400	Nut Keps Blk Hex 1/4-20 UNC
45	121433X	Ammeter Rectangular 6 Amp
52	141940	Protection Wire Loop (Hour Meter)
55	17490508	Screw Thdrol 5/16-18 x 1/2
70	140413	Harness Engine B&S/Tec Dual

NOTE: All component dimensions given in U.S. inches
1 inch = 25.4 mm

REPAIR PARTS

TRACTOR - - MODEL NUMBER 917.252761

CHASSIS AND ENCLOSURES



REPAIR PARTS

TRACTOR - - MODEL NUMBER 917.252761

CHASSIS AND ENCLOSURES

KEY NO.	PART NO.	DESCRIPTION
1	159527	Chassis5
2	140356	Drawbar
3	17490612	Screw, Thd., Roll. 3/8-16 x 3/4 Type TT
4	STD551025	Washer 13/32 x 3/4 x 16 Gauge
5	155272	Bumper Hood/Dash
9	150156X013	Dash, Silkscreened
10	STD533710	Bolt, Carriage 3/8-16 x 1
11	155927	Panel, Dash, LH
12	145660	Clip Tinnerman Grille P/L
13	155936	Panel, Dash, RH
14	17490608	Screw, Thd., Roll. 3/8-16 x 1/2 Type TT
17	144983X558	Hood Assembly
18	126938X	Bumber Hood
20	156437	Plate Mtg Battery Fuel Tank
23	124028X	Bushing, Snap, Nylon, Fuel Line
25	19131312	Washer 13/32 x 13/16 x 12 Gauge
26	STD541437	Locknut, Hex, with Insert 3/8-16 UNC
28	145198X558	Grille, W/Clips MS-558
29	155217	Lens, Grille
30	151287X558	Fender/Footrest
31	139976	Bracket, Fender/Support
37	17490508	Screw, Thdrol. 5/16-18 x 1/2 TYT
38	139886	Pivot Bracket Assembly, LH, Mower, Rear
39	139887	Pivot Bracket Assembly, RH, Mower, Rear
51	73800400	Nut Lock W/Insert 1/4 - 20 UNC
52	19091416	Washer 9/32 X 7/8 X 16 Ga.
53	145201	Bracket Grille Pickoff LH
54	17030814	Screw, Hex Head, Spiderlock #8 x 7/8 AB
55	145202	Bracket Grille Pickoff RH
57	STD552507	Bolt FinHex 1/4 -20 UNC X.75
58	140547	Air Duct P/L 18HP B&S Opp. Twin
60	STD533707	Bolt Rdhd Sqnk 3/8-16 UNC x 3/4
64	154798	Dash Lower STLT
71	73680400	Nut Crownlock 1/4-20 UNC
74	STD541437	Nut Crownlock 3/8-16 UNC
114	158112	Keeper Belt Rear LH STL P930
115	17490620	Screw Thdrol 3/8-16 x 1-1/4 Tytt
116	19131614	Washer 13/32 x 1 x 14 Ga.
122	157301	Bracket Shift STLT
123	152927	Screw
140	158418	Bracket Suspension Front
142	156095	Plate Reinforcement STLT
143	154966	Backrest Swaybar Chassis
144	154207	Bracket Footrest STLT
145	156524	Rod Pivot Chassis/Hood
147	74760412	Bolt Hex Hd 1/4-20 UNC x 3/4

NOTE: All component dimensions given in U.S. inches
1 inch = 25.4 mm

REPAIR PARTS

TRACTOR - - MODEL NUMBER 917.252761

DRIVE

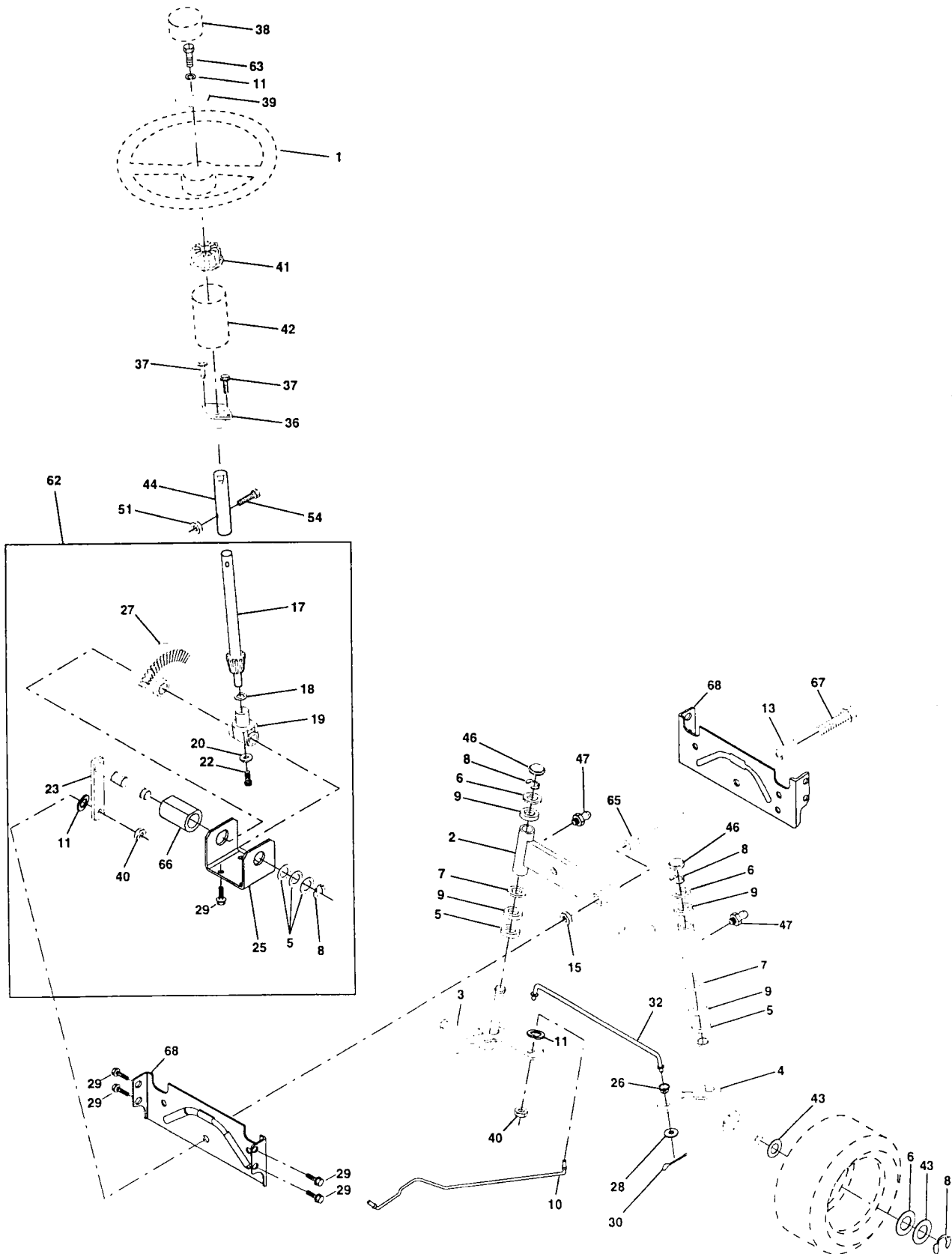
KEY NO.	PART NO.	DESCRIPTION	KEY NO.	PART NO.	DESCRIPTION
1	-----	Transaxle (See Breakdown) Peerless 930-057A	53	105710X	Link, Clutch
2	146682	Spring, Return, Brake	55	105709X	Spring, Clutch Return
3	123666X	Pulley, Transaxle	56	STD523712	Bolt Fin Hex 3/8-16 x 1-1/4
4	12000028	Ring, Retainer	57	130801	V-Belt, Ground Drive
5	121520X	Strap, Torque	58	127274X	Keeper, Belt, R.H.
6	17490512	Screw, Thd., Roll. 5/16-18 x 3/4	59	140312	Keeper, Belt, Center Span
8	154792	Rod Shifter Fender STLT	61	17490612	Screw, Thd., Roll. 3/8-16 x 3/4
10	STD561210	Pin, Cotter	62	8883R	Cover, Pedal
11	105701X	Washer, Shift Plate	63	140186	Pulley, Engine
13	74550412	Bolt 1/4-28 UNF W/Patch Grade 8	64	71170764	Bolt, Hex Head, Fin. 7/16-20 x 4 Grade 5
14	STD551125	Washer	65	STD551143	Washer
15	74490544	Bolt, Hex Flghd 5/16-18 Grade 5	66	154778	Keeper, Belt, Engine, Fool-Proof
18	STD523710	Bolt Fin Hex 3/8-16 UNC x 1. Gr 5	70	134683	Guide, Mower Drive Belt, R.H.
19	STD541437	Nut	72	19132012	Washer 13/32 x 1-1/4 x 12 Gauge
21	106933X	Knob	74	137057	Spacer, Axle
22	130804	Rod, Brake	75	121749X	Washer 25/32 x 1-1/4 x 16 Gauge
24	STD541237	Nut	76	STD581075	E-Ring
25	106888X	Spring, Brake Rod	77	123583X	Key, Square 2.0 x .1845/.1865
26	STD551037	Washer	78	121748X	Washer 25/32 x 1-5/8 x 16 Gauge
27	STD561210	Pin	79	2228M	Key Woodruff #9 3/16 x 3/4
28	145204	Rod, Parking Brake	80	145090	Arm, Shift
29	124236X	Cap, Parking Brake, Red	81	156049	Shaft Assembly
30	130807	Bracket, Transaxle	82	123782X	Spring, Torsion
31	127275X	Keeper, Belt, L.H.	83	19171216	Washer 17/32 x 3/4 x 16 Gauge
32	STD523107	Bolt	84	145643	Tie Rod
34	155071	Shaft Assembly, Foot Pedal	85	150360	Nut, Nylock
35	120183X	Bearing, Nylon	86	71208	Bushing, Pivot
36	STD551062	Washer	87	19212016	Washer
37	STD571810	Roll Pin	88	12000008	E-Ring
38	123674X	Pulley, Idler, Flat	89	154886	Console, Shift, STLT
39	STD523727	Bolt	90	124346X	Nut, Self-Threading, Washer Hd 1/4
40	4470J	Spacer, Split .395 x .59	96	STD624003	Retainer Spring 1" Zinc Cad
41	154777	Keeper, Belt, Idler Fool-Proof	112	19091210	Washer 9/32 x 3/4 x 10 Gauge
42	19131312	Washer 13/32 x 13/16 x 12 Gauge	113	127285X	Strap Torque LT
47	127783	Pulley, Idler, V-Groove, Plastic	116	72110610	Bolt Rdhd Sqneck 3/8-16 x 1.25
48	154604	Bellcrank Assembly	118	154774	Spacer Bellcrank
49	123205X	Retainer, Belt	121	154419	Nyliner Clutching STL
50	STD523715	Bolt			
51	STD541437	Nut Crown Lock 3/8-16 UNC			
52	STD541431	Nut Crown Lock 5/16-18 UNC			

NOTE: All component dimensions given in U.S. inches
1 inch = 25.4 mm

REPAIR PARTS

TRACTOR - - MODEL NUMBER 917.252761

STEERING ASSEMBLY



REPAIR PARTS

TRACTOR - - MODEL NUMBER 917.252761

STEERING ASSEMBLY

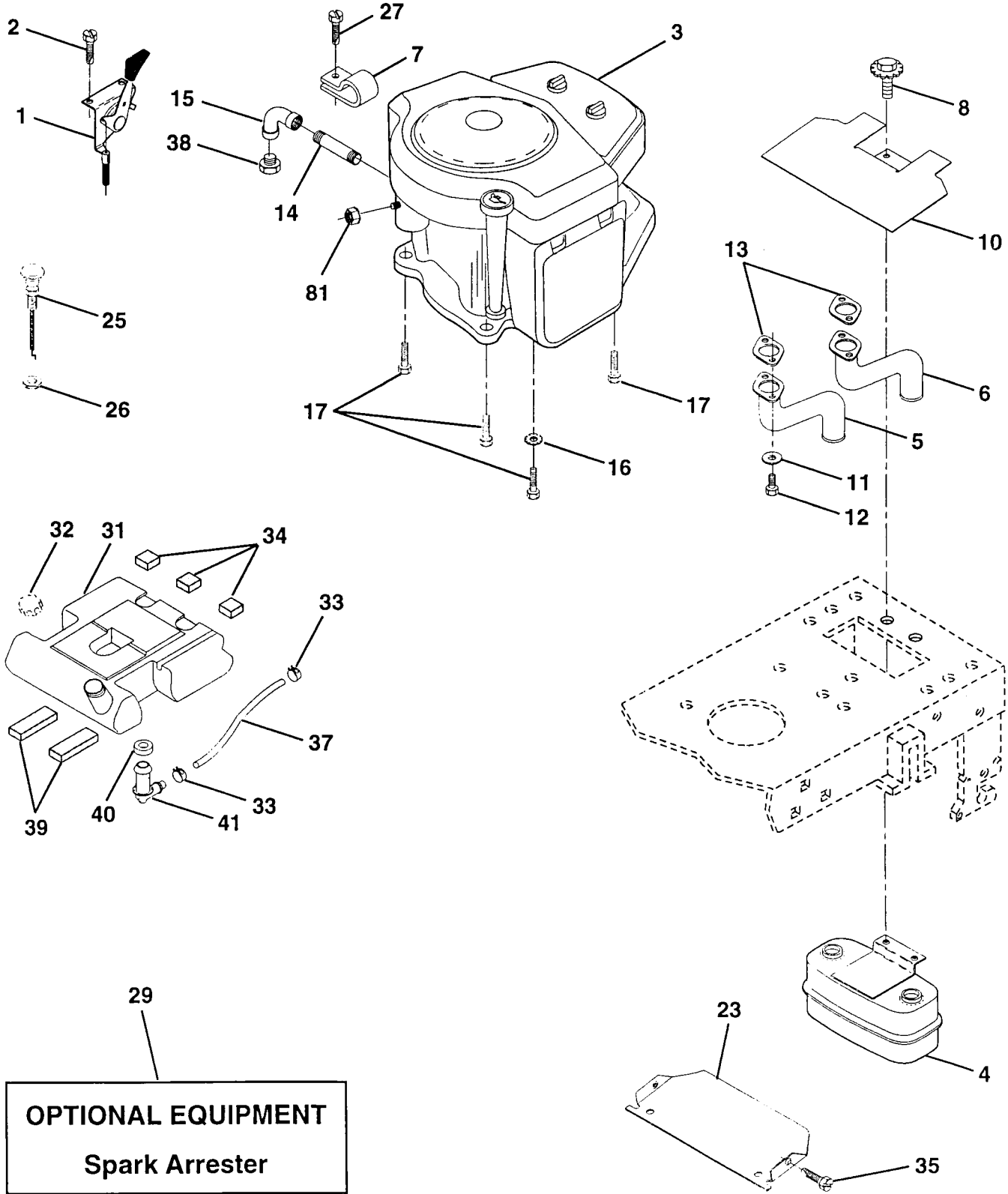
KEY NO.	PART NO.	DESCRIPTION
1	139768	Steering Wheel
2	154427	Axle Assembly STMP Dropped STL
3	156483	Spindle Assembly, L.H.
4	157473	Spindle Assembly, R.H.
5	6266H	Bearing, Race, Thrust, Hardened
6	121748X	Washer 25/32 x 1-5/8 x 16 Gauge
7	19272016	Washer 27/32 x 1-1/4 x 16 Gauge
8	12000029	Ring, Klip
9	3366R	Bearing, Steering Column
10	156438	Draglink Extended Stamped
11	STD551137	Washer, Lock
13	154779	Bearing Axle STLT/GT
15	73901000	Nut, Lock, Flange 5/8-11 UNC
17	156546	Shaft Assembly, Steering
18	57079	Washer, Thrust .515 x .750 x .033
19	124035X	Support, Shaft
20	126684X	Washer, Shim 1/4 x 5/8 x .062
22	71200410	Screw Hex Socket 1/4-20 x 5/8
23	127501	Pittman Shaft Assembly
25	154406	Bracket, Steering
26	126847X	Bushing, Link, Drag
27	136874	Gear, Sector
28	19131416	Washer 13/32 x 7/8 x 16 Gauge
29	17490612	Screw, Thd., Roll. 3/8-16 x 3/4
30	STD561210	Pin
32	130465	Rod, Tie
36	155099	Bushing, Steering
37	152927	Screw
38	139769	Insert, Steering Wheel
39	19133808	Washer 13/32 x 2-3/8 x 8 Gauge
40	STD541537	Gripco Nut
41	100711L	Adaptor, Steering Wheel
42	145054	Boot, Steering Shaft
43	121749X	Washer 25/32 x 1-1/4 x 16 Gauge
44	153720	Extension Shaft Steering LR.LT
46	121232X	Cap, Spindle
47	6855M	Fitting, Grease
51	STD541431	Nut Lock Hex w/Ins. 5/16-18 UNC
54	74780520	Bolt Fin Hex 5/16-18 UNC x 1-1/4
62	156594	Kit Steering Asm Service
63	STD523710	Bolt, Fin Hex 3/8-16 UNC x 1 Gr 5
65	154780	Spacer Axle
66	154404	Bearing Arm Pittman
67	74781044	Bolt, Fin Hex 5/8-11 UNC x 2-3/4
68	154429	Axle, Brace

NOTE: All component dimensions given in U.S. inches
1 inch = 25.4 mm

REPAIR PARTS

TRACTOR - - MODEL NUMBER 917.252761

ENGINE



REPAIR PARTS

TRACTOR - - MODEL NUMBER 917.252761

ENGINE

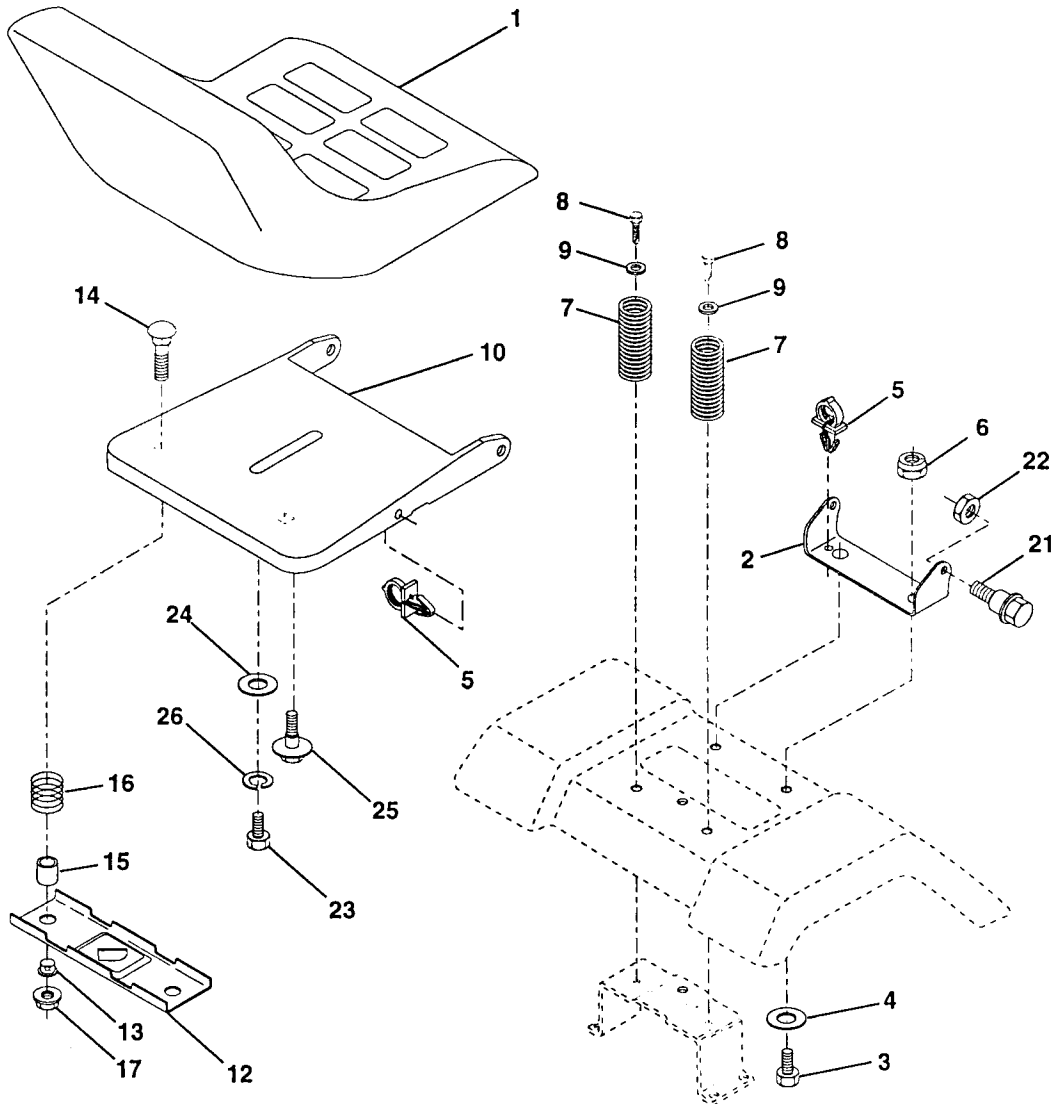
KEY NO.	PART NO.	DESCRIPTION
1	151273	Control Throt Paddle 32 22
2	17720410	Screw Hex Thd Cut 1/4-20x5/8 T
3	-----	Engine (See Breakdown) Briggs Model No. 42A707-1624-01
4	149723	Muffler Exhaust
5	144069	Exhaust Asm. Left
6	144068	Exhaust Asm. Right
7	138129	Clamp Tube Double Engine
8	150176	Bolt 5/16 - 18 UNC X 3/4 W/Sems
10	145552	Heat Shield Lt
11	STD551125	Washer Lock Hvy. Helical 1/4
12	STD522507	Bolt Fin Hex 1/4-20 x 3/4
13	272250	Gasket Muffler
14	13280336	Nipple Pipe 4-1/2"
15	13200300	Elbow Std 90 Degree 3/8-18 Npt
16	STD551237	Washer Lock Ext Tooth 3/8
17	17490624	Screw Thdrol 3/8-16x1-1/2 Tytt
23	156123	Shield Browning
25	145996	Control Choke
26	73920600	Nut Keps 3/8-24 Unf
27	152927	Screw TT #10-32 x 5 x 3/8 Flange
29	137180	Arrestor Spark
31	153630	Tank Fuel 3 50 Rear
32	155971	Cap Fuel Guage STLT
33	123487X	Clamp Hose Blk
34	106082X	Spacer Pad
35	17490512	Screw Thdrol 5/16-18 x 3/4 TYT
37	8543R	Line Fuel
38	-----	Plug Oil Drain (Order From Engine Manufacturer)
39	109227X	Pad Idler 1.75 x .75 x .06
40	3645J	Bushing
41	139277	Stem Tank Fuel
81	128861	Nut, Flange 1/4-20 Starter Nut

NOTE: All component dimensions given in U.S. inches
1 inch = 25.4 mm

REPAIR PARTS

TRACTOR - - MODEL NUMBER 917.252761

SEAT ASSEMBLY



KEY NO.	PART NO.	DESCRIPTION
1	140123	Seat
2	140551	Bracket Pnt Pivot Seat (blk)
3	74760616	Bolt Fin Hex 3/8-16 UNC x 1
4	19131610	Washer Flat 13/32 x 1 x 10 Ga
5	145006	Clip Push-In
6	STD541437	Nut Lock Hex W/Ins 3/8 -16 UNC
7	124181X	Spring Seat Cprsn 2 250 Blk Zi
8	17490616	Screw 3/8-16x1
9	19131614	Washer 13/32 x 1 x 14 Ga
10	155925	Pan Pnt Seat (blk)
12	121246X	Bracket Pnt Mounting Switch

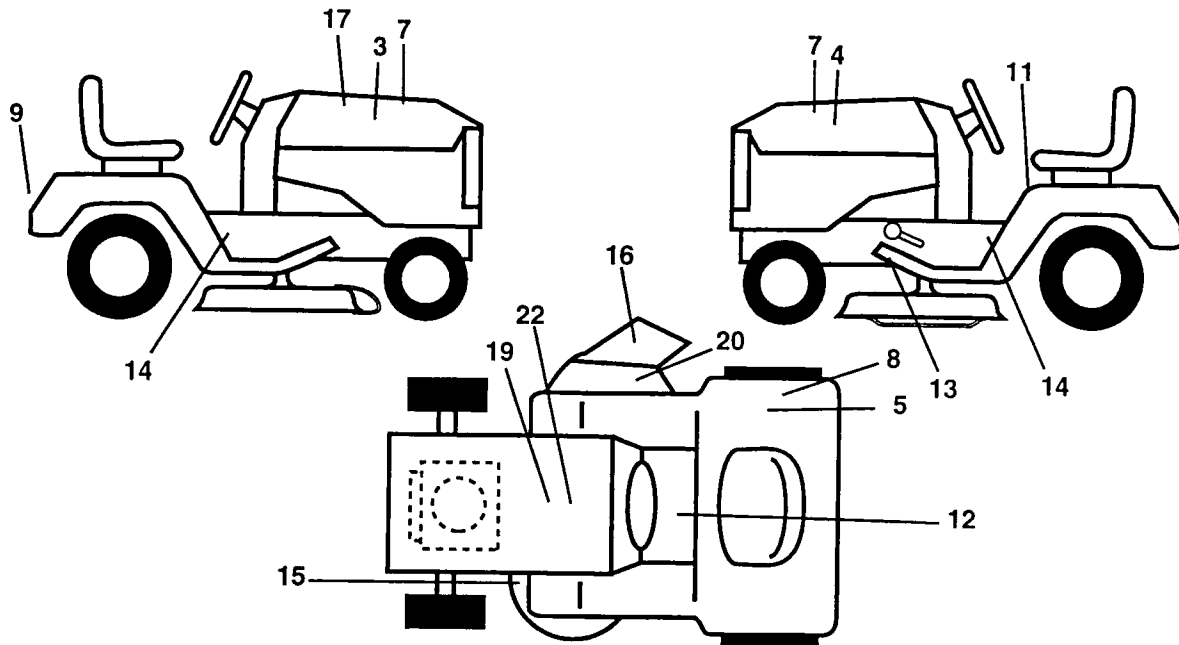
KEY NO.	PART NO.	DESCRIPTION
13	121248X	Bushing Snap Blk Nyl 50 Id
14	72050411	Bolt Rdhd Sht Nk 1/4-20x1-3/8
15	134300	Spacer Split 28 X 96 Zinc
16	121250X	Spring Cprsn 1 27 Blk Pnt
17	123976X	Nut Lock 1/4 Lge Flg Gr 5 Zinc
21	153236	Bolt Shoulder 5/16-18 Unc
22	STD541431	Nut Lock Hex W/Ins 5/16-18
23	74780814	Bolt Fin Hex 1/2-13 X 7/8 Gr 5
24	19171912	Washer 17/32 X 1-3/16 X 12 Ga
25	127018X	Bolt Shoulder 5/16-18 X 62
26	STD551150	Washer Lock Hvy Hlcl Spr 1/2

NOTE: All component dimensions given in U.S. inches
1 inch = 25.4 mm

REPAIR PARTS

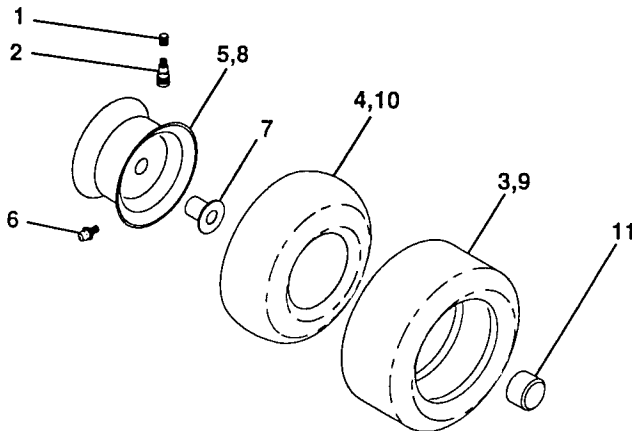
TRACTOR -- MODEL NUMBER 917.252761

DECALS



KEY NO.	PART NO.	DESCRIPTION	KEY NO.	PART NO.	DESCRIPTION
3	151299	Decal Hood Rh Craftsman	17	156798	Decal Insert, Hood
4	151300	Decal Hood Lh Craftsman	19	138047	Decal Battery Diehard Sears
5	125690X	Decal 100 DBA	20	156787	Decal Deck Mower EZ3 Mulching
7	150927	Decal Panel Side B&S	22	145005	Decal Battery
8	145437	Decal Europe Stand CE	--	138311	Decal Lift Handle
9	146709	Decal Fender Craftsman Gold	--	154515	Pad Footrest Lh STLT
11	156368	Decal Fender STLT Oper Inst E/S	--	154516	Pad Footrest Rh STLT
12	140837	Decal Saddle Brake Parking	--	159337	Manual, Operator's (Euro)
13	146046	Decal V-belt Dr Sch Tractor E	--	159338	Manual, Operator's (Scan)
14	147139	Decal Chassis 42"	--	159841	Manual, Parts
15	136832	Decal Mower Drive Schematic			

WHEELS & TIRES



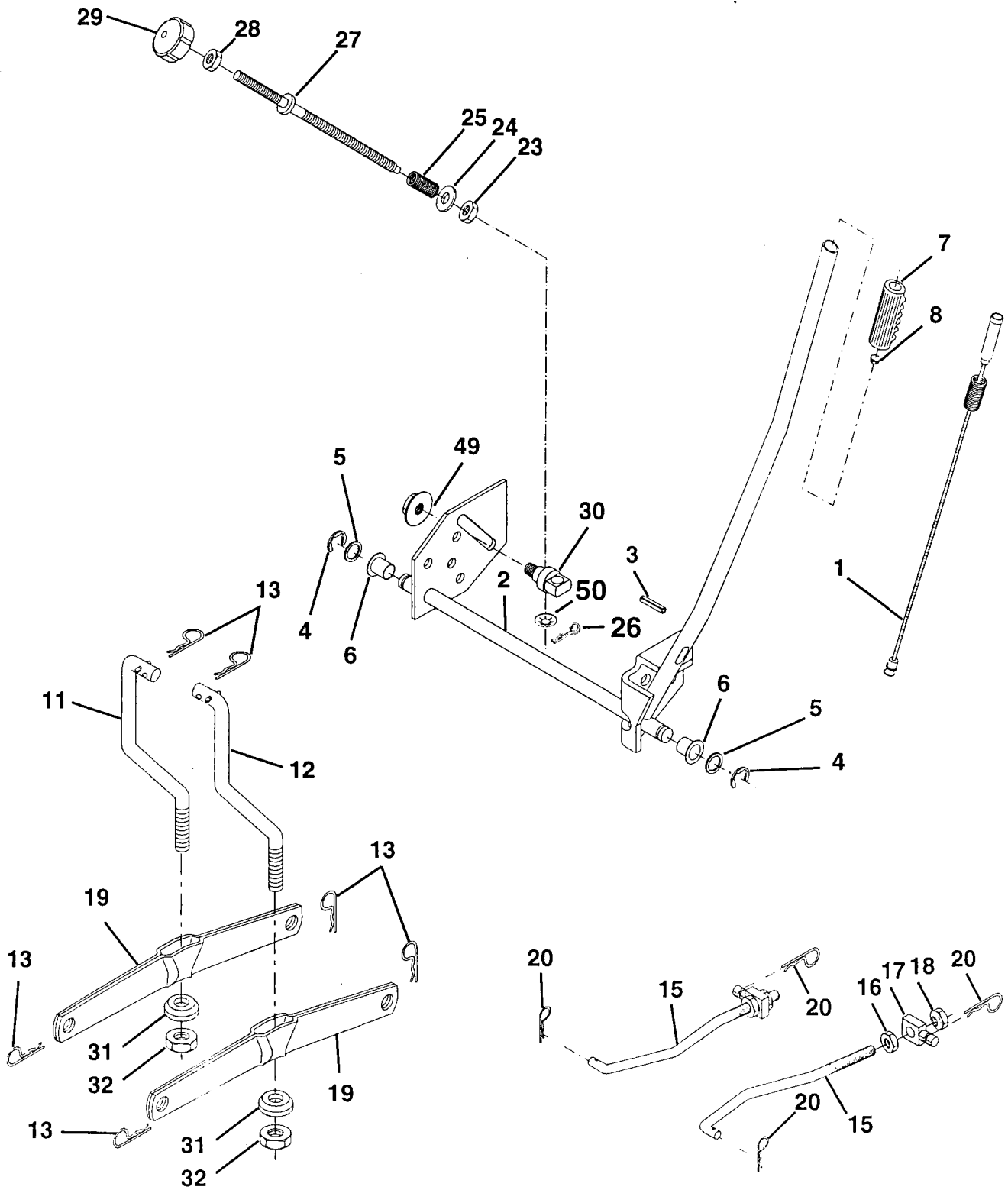
KEY NO.	PART NO.	DESCRIPTION
1	59192	Valve Cap, Tire
2	65139	Stem, Valve
3	106222X	Tire, Front
4	59904	Tube, Front Tire (Not Provided, Service Item Only)
5	106732X427	Rim, Front
6	278H	Fitting, Grease (Front Wheel Only)
7	9040H	Bearing, Flange (Front Wheel Only)
8	106108X427	Rim, Rear
9	122082X	Tire, Rear
10	7152J	Tube, Rear Tire (Not Provided, Service Item Only)
11	104757X	Cap, Axle
--	144334	Sealant, Tire (10 oz. Tube)

NOTE: All component dimensions given in U. S. inches
1 inch = 25.4 mm

REPAIR PARTS

TRACTOR - - MODEL NUMBER 917.252761

MOWER LIFT



REPAIR PARTS

TRACTOR - - MODEL NUMBER 917.252761

MOWER LIFT

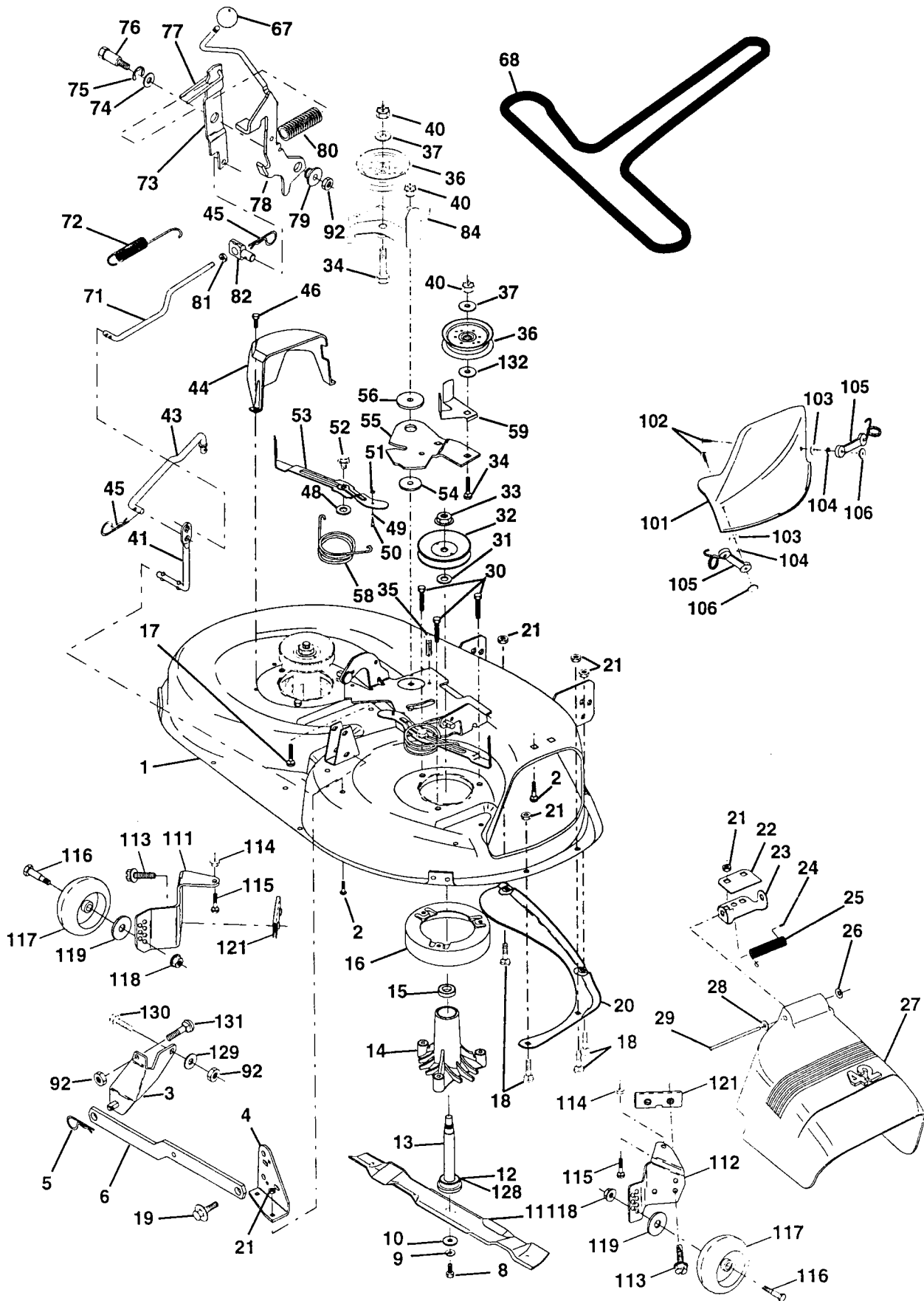
KEY NO.	PART NO.	DESCRIPTION
1	159460	Wire Assy., Inner/Sprg w/Plngr LT
2	159471	Shaft Asm. Lift
3	105767X	Pin Groove
4	12000002	E Ring #5133-62
5	19211621	Washer 21/32 x 1 x 21 Ga.
6	120183X	Bearing Nylon
7	125631X	Grip Handle Fluted
8	122365X	Button Plunger Read
10	122512X	Spring Cprsn
11	139865	Link Lift Lh Fixed Length
12	139866	Link Lift Rh Fixed Length
13	STD624008	Retainer Spring
15	127218	Link Front
16	73350800	Nut Jam Hex 1/2-13 Unc
17	130171	Trunnion Blk Zinc
18	73800800	Nut Lock W/Wsh 1/2-13 Unc
19	139868	Arm Suspension Rear
20	STD624008	Retainer Spring
23	110807X	Nut Spring
24	19131016	Washer 13/32 x 5/8 x 16 Ga.
25	2876H	Spring 2-1/8"
26	STD560907	Pin cotter 3/32 x 1/2
27	126971X	Rod Adj. Lift
28	73350600	Nut Hex Jam 3/8-16
29	138057	Knob Inf. 3/8-16
30	150233	Trunnion Infin. Height
31	140302	Bearing, Pivot, Lift, Special
32	73540600	Nut, Crownlock 3/8-24
49	145212	Nut Flange Lock
50	110452X	Nut Push Phos & Oil

NOTE: All component dimensions given in U.S. inches
1 inch = 25.4 mm

REPAIR PARTS

TRACTOR - - MODEL NUMBER 917.252761

MOWER DECK



REPAIR PARTS

TRACTOR - - MODEL NUMBER 917.252761

MOWER DECK

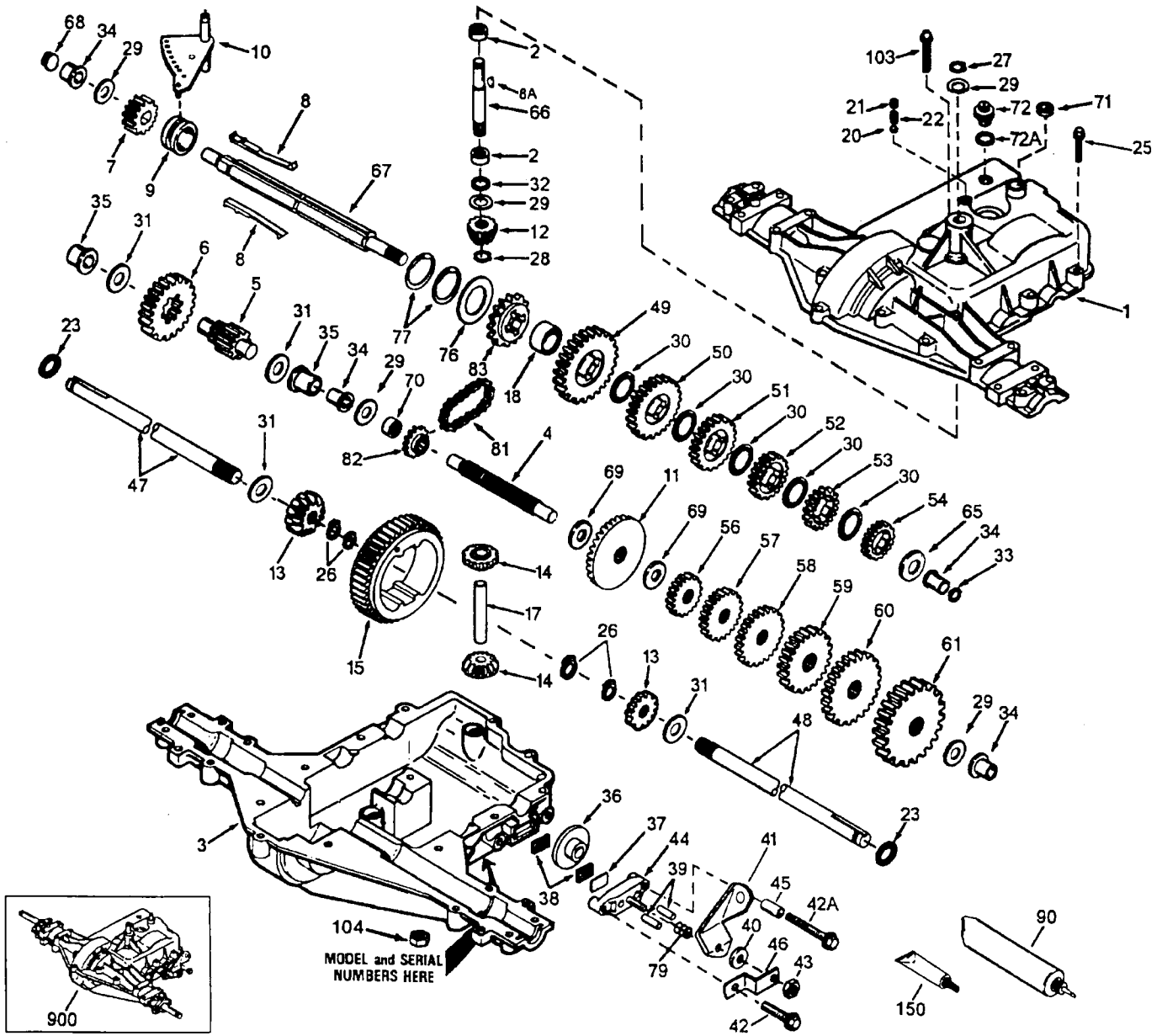
KEY NO.	PART NO.	DESCRIPTION	KEY NO.	PART NO.	DESCRIPTION
1	144393	Mower Deck Assembly, 42"	58	140086	Spring, Torsion, Brake
2	STD533107	Bolt	59	141043	Guard, Idler
3	138017	Bracket Asm Fr. Sway Bar	67	149846	Knob Custom Dual
4	138440	Bracket Asm Deck 42" Sway Bar	68	144200	V-Belt, 42" Mower
5	STD624008	Retainer Spring	71	142427	Rod, Clutch, Primary
6	130832	Arm, Suspension, Rear	72	131870	Spring, Extension, Return
8	850857	Bolt 3/8-24 x 1.25 Grade 8	73	127847	Arm, Clutch, Secondary
9	STD551137	Washer, Lock	74	121748X	Washer 25/32 x 1-5/8 x 16 Gauge
10	140296	Washer, Hardened	75	12000029	Ring, Klip
11	134149	Blade, Mulching, 42" Mower Deck	76	128903	Bolt, Shoulder 3/8-16 UNC x 1.44
12	129895	Bearing, Ball	77	127845	Keeper, Spring
13	137645	Shaft Assembly, Mandrel, Vented (Includes Key Number 12)	78	154809	Arm, Clutch, Primary
14	128774	Housing, Mandrel, Vented	79	127498	Bushing, Large, Brass
15	110485X	Bearing, Ball, Mandrel	80	153701	Spring, Mower Clutch
16	140329	Stripper, Vented Mower Deck	81	73350600	Nut, Hex, Jam 3/8-16
17	72110610	Bolt, Carriage 3/8-16 x 2-1/4	82	142028	Trunnion
18	STD533106	Bolt, Carriage 5/16-18 x 5/8	83	120958X	Washer Sintered
19	132827	Bolt, Shoulder	84	158824	Bracket Asm Idler
20	136888	Baffle, Vortex	85	72140618	Bolt, RdHd Sqnk 3/8-16 x 2-1/4 Gr. 5
21	STD541431	Nut Crownlock 5/16-18	92	STD541437	Locknut, Hex W/Wash Insert
22	134753	Stiffener Bracket	101	136420	Mulcher cover
23	131267	Bracket, Deflector	102	71161010	Screw
24	105304X	Cap, Sleeve	103	19061216	Washer #10
25	123713X	Spring, Torsion, Deflector	104	STD551110	Washer, Lock
26	110452X	Nut, Push	105	130758	Latch Assembly, Bagger
27	130968	Shield, Deflector	106	2029J	Nut, Weld
28	19111016	Washer 11/32 x 5/8 x 16 Gauge	111	155197	Bracket, Gauge, Wheel L.H.
29	131491	Rod, Hinge	112	155198	Bracket, Gauge, Wheel R.H.
30	138776	Bolt 5/16-18 x 1.25	113	17490512	Screw, Thdrol 5/16 -18 x 3/4
31	129963	Washer, Spacer	114	STD541431	Nut, Hex Keps 5/16-18 UNC
32	153535	Pulley, Mandrel	115	72110504	Bolt, Carriage 5/16 UNC x 1/2
33	137266	Nut, Flanged, Toplock 9/16	116	137644	Bolt, Shoulder
34	STD533717	Bolt	117	133957	Wheel, Gauge
35	133835	Fastner, Christmas Tree	118	73930600	Nut, Centerlock 3/8-16
36	131494	Pulley, Idler, Flat	119	STD551037	Washer 3/8 x 7/8 x 14 Ga.
37	STD551037	Washer 13/32 x 13/16 x 16 Gauge	121	143723	Bracket, Extruded Gauge Wheel
40	STD541437	Nut, Crownlock	128	153390	Washer Felt
41	133551	Rod, Pivot, with Nibs	129	19131312	Washer 13/32 x 13/16 x 12 Ga
43	140083	Rod, Clutch, Secondary, with Nibs	130	STD523710	Bolt Fin Hex 3/8-16 UNC x 1 Gr5
44	140088	Guard, Mandrel, LH	131	STD533710	Bolt Rdhd Sqnk 3/8-16 UNC x 1
45	STD624003	Retainer	132	19132203	Spacer Washer 13/32 I.D. x 1-3/8 O.D. x 1/4
46	137729	Screw, Hex Hd, Thdcut 1/4-20 x 5/8	--	130794	Mandrel Assembly (Includes Key Numbers 8-10, 12-15, 31 and 33)
48	133944	Washer, Hardened	--	159481	Mower Deck, Complete (Standard Deck; Order Mulcher Plate and Gauge Wheel Components Separately - Key Nos. 101-106, 111-119, 121)
49	155066	Roller Assembly, Cam Follower			
50	131340	Bolt, Shloulder #10-24 Grade 5			
51	STD541410	Locknut			
52	139888	Bolt, Shoulder 5/16-18 UNC			
53	131845X900	Arm Assembly, Pad, Brake			
54	133943	Washer, Hardened			
55	155046	Arm, Idler			
56	122052X	Spacer, Retainer			

NOTE: All component dimensions given in U.S. inches
1 inch = 25.4 mm

REPAIR PARTS

TRACTOR - - MODEL NUMBER 917.252761

PEERLESS TRANSAXLE - MODEL NUMBER 930-057A



REPAIR PARTS

TRACTOR - - MODEL NUMBER 917.252761

PEERLESS TRANSAXLE - MODEL NUMBER 930-057A

REF PART NO. NO.	DESCRIPTION	REF PART NO. NO.	DESCRIPTION
1 772108A	Cover, Transaxle	43 792075	Locknut 5/16-24
2 780086A	Bearing, Needle	44 790025	Holder, Brake Pad
3 770102A	Case, Transaxle	45 786066	Spacer
4 776260A	Shaft, Counter	46 786086	Bracket, Brake Lever
5 776219B	Shaft and Pinion Assembly, Output	47 774690	Axle 11-5/16" long
6 778139	Gear, Output, 35 Teeth	48 774691	Axle 16-1/2" long
7 778136	Gear, Spur, 15 Teeth, Steel	49 778215	Gear, Spur, 37 Teeth, Steel (1 st)
8 792136A	Key, Shift	50 778125	Gear, Spur, 35 Teeth (2 nd)
9A 792047	Key, Woodruff	51 778124A	Gear, Spur, 30 Teeth (3 rd)
9 784352	Collar, Shifter	52 778123A	Gear, Spur, 25 Teeth (4 th)
10 784355	Rod and Fork Assembly, Shift	53 778122A	Gear, Spur, 22 Teeth (5 th)
11 778229	Gear, Bevel, 42 Teeth	54 778273	Gear, Spur, 19 Teeth, Steel (6 th)
12 778113A	Bevel Pinion, Input	56 778230	Gear, Spur, 12 Teeth, Steel (1 st)
13 778221	Gear, Bevel, 16 Teeth	57 778151	Gear, Spur, 15 Teeth (2 nd)
14 778068	Gear, Bevel Pinion	58 778126A	Gear, Spur, 20 Teeth (3 rd)
15 778260	Gear, Ring	59 778127A	Gear, Spur, 25 Teeth (4 th)
17 786139	Pin, Drive	60 778128A	Gear, Spur, 28 Teeth (5 th)
18 786102	Spacer, Neutral	61 778163	Gear, Spur, 31 Teeth (6 th)
20 792077	Ball, Steel 5/16" diameter	65 780109	Washer, Thrust
21 792078	Set Screw 3/8-16 x 3/8	66 776135	Shaft, Input
22 792079	Spring	67 776315A	Shaft, Brake, 4 Keyed
23 788061	Ring, Seal	68 786116A	Plug
25 792073	Screw, Flanged Hex Head, Thread Forming 1/4-20 x 1-1/4	69 780051	Washer, Thrust
26 792125	Ring, Retainer (4 Required, Package of 2)	70 786118	Spacer
27 792035	Ring, Retainer	71 788069	Square Cut Ring
28 788040	Ring, Retainer	72 792165	Plug, Threaded 9/16-18
29 780072	Washer, Thrust	72A 788091	"O" Ring
30 780108	Washer, Thrust	76 780090	Washer, Thrust
31 780001	Washer	77 788078A	Ring, Retaining, Inverted (Package of 2)
32 792001	"O" Ring	79 792144	Spring, Brake
33 788095	Seal, Square Cut	81 786081	Chain, Roller (Number 41 Chain, 24 Links)
34 780105A	Bushing, Flanged	82 786082	Sprocket, 9 Teeth (Reverse)
35 780118A	Bushing, Flanged	83 786123	Sprocket, 18 Teeth (Reverse)
36 790003	Disk, Brake	90 788067B	Grease, Bentonite, 32 Ounce Bottle
37 790007	Plate, Brake Pad	103 792166	Screw 1/4-20 x 2
38 799021	Pad, Brake (Package of 2)	104 792167	Locknut 1/4-20
39 786026	Pin, Dowel	150 788093	Gasket Eliminator (Loctite #515)
40 792076A	Washer, Flat	900 794602	Replacement Transaxle
41 790079	Lever, Brake		
42 792073	Screw, Flanged Hex Head, Thread Forming 1/4-20 x 1-1/4		
2A 792085A	Screw 1/4-20 x 2-1/4		

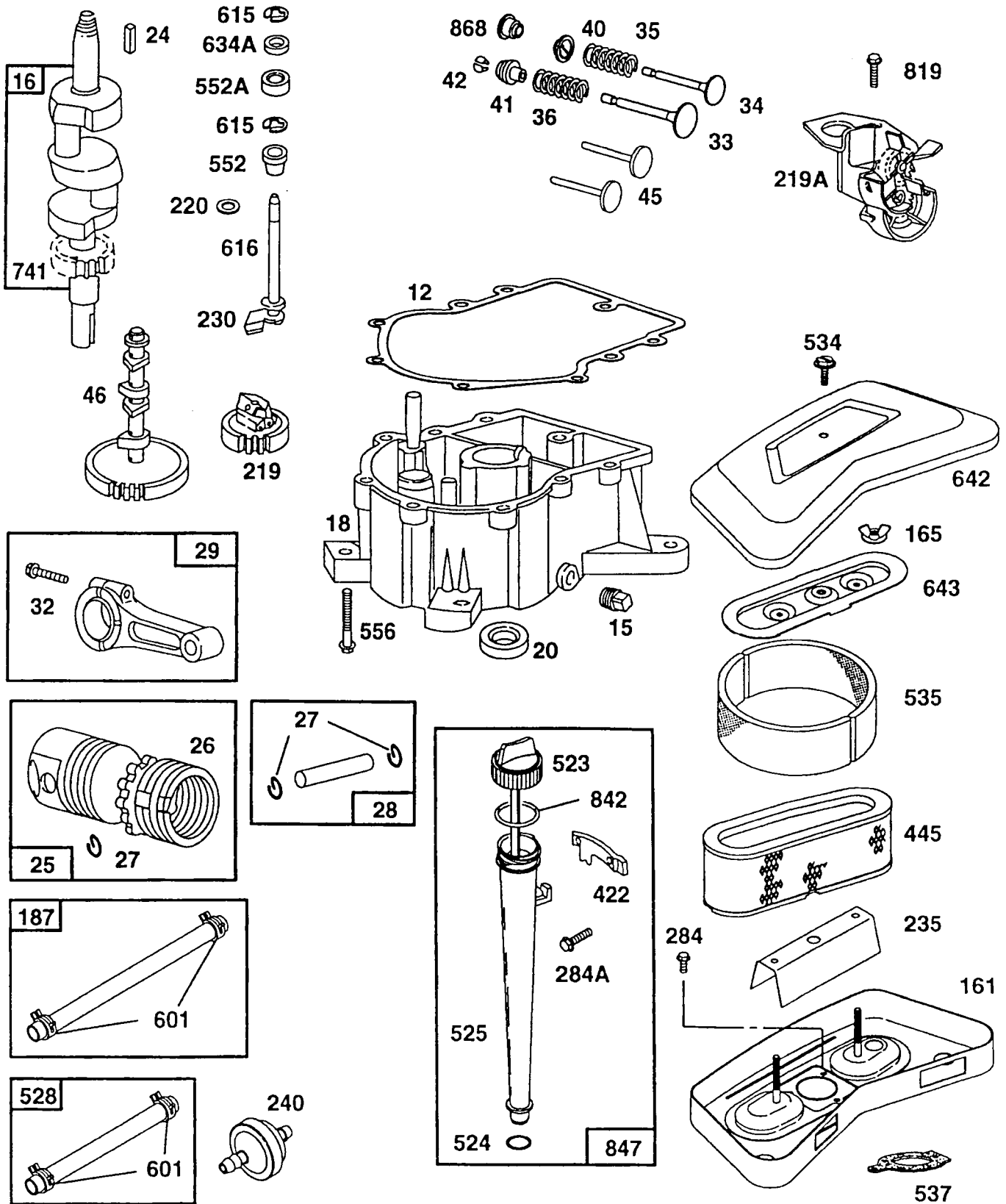
NOTE: All component dimensions given in U.S. inches
1 inch = 25.4 mm

Parts must be ordered from Tecumseh Products Co.

REPAIR PARTS

TRACTOR - - MODEL NUMBER 917.252761

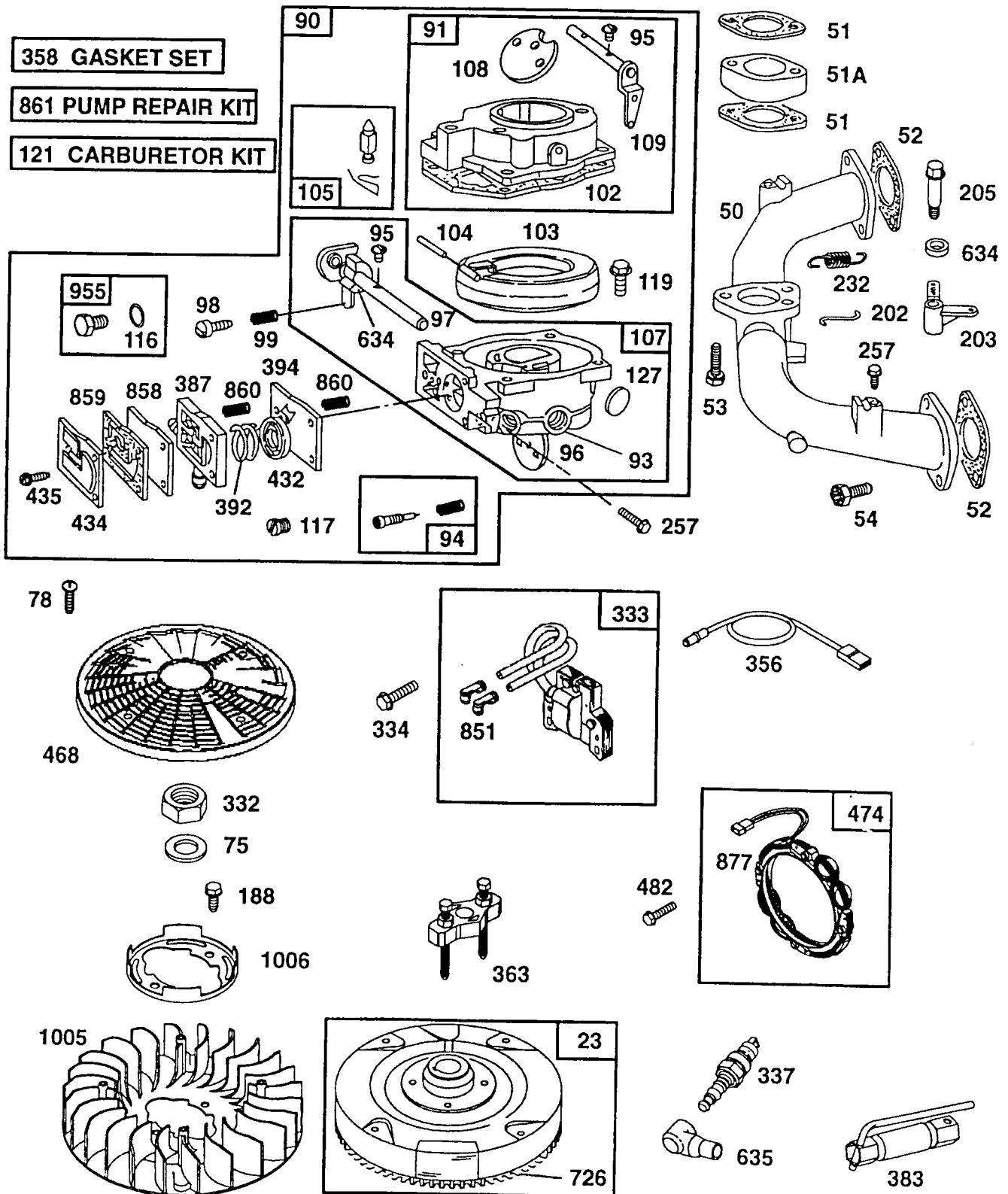
BRIGGS & STRATTON ENGINE - MODEL NUMBER 42A707, TYPE NUMBER 1624-01



REPAIR PARTS

TRACTOR - - MODEL NUMBER 917.252761

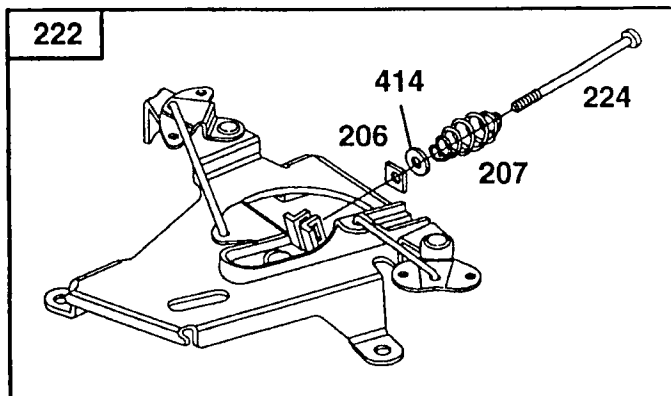
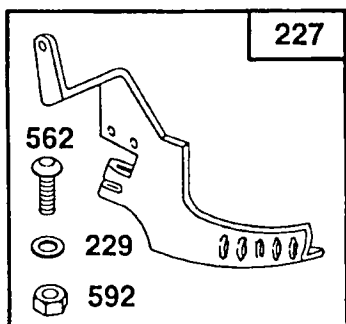
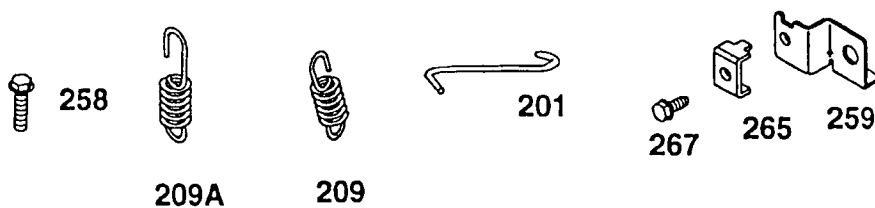
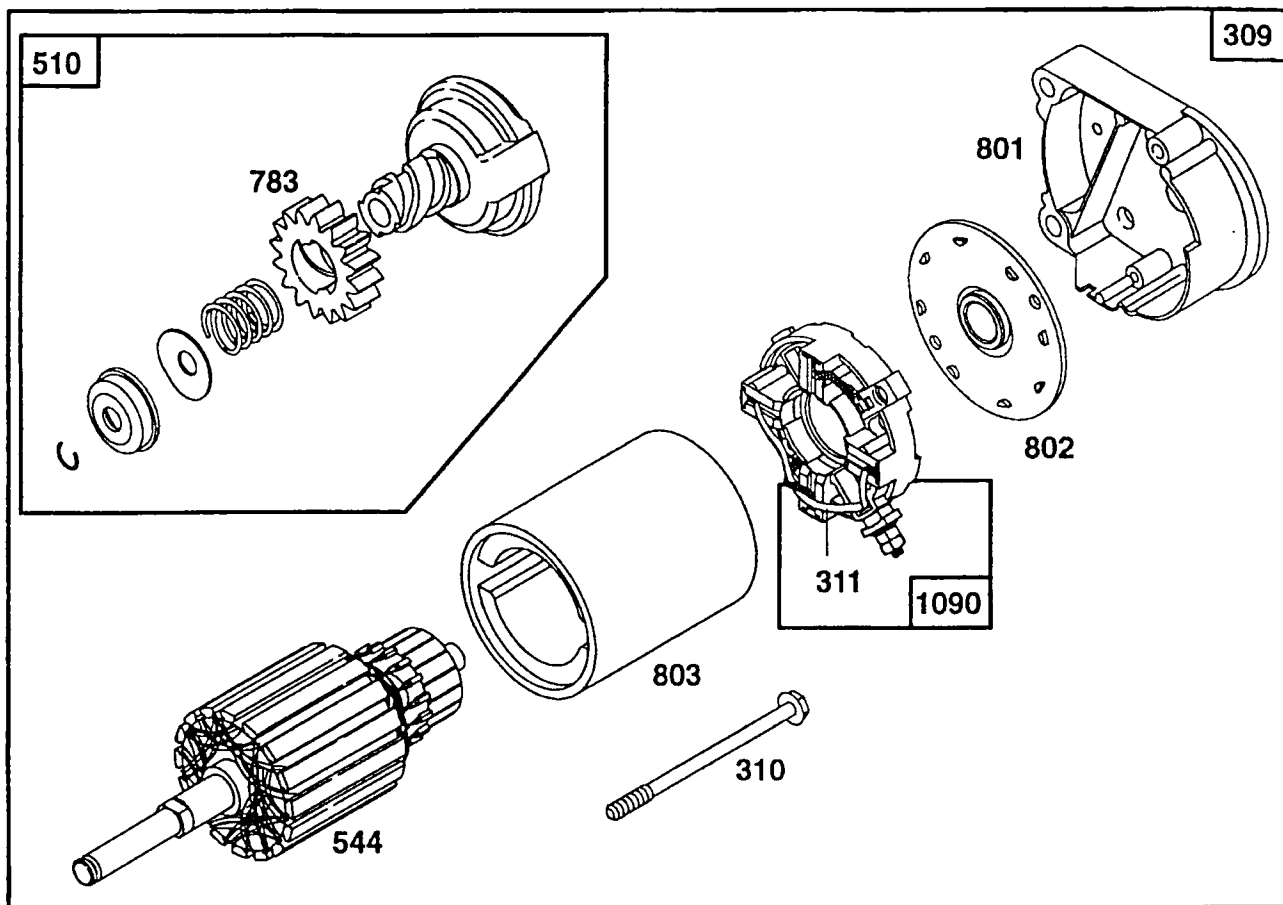
BRIGGS & STRATTON ENGINE - MODEL NUMBER 42A707, TYPE NUMBER 1624-01



REPAIR PARTS

TRACTOR - - MODEL NUMBER 917.252761

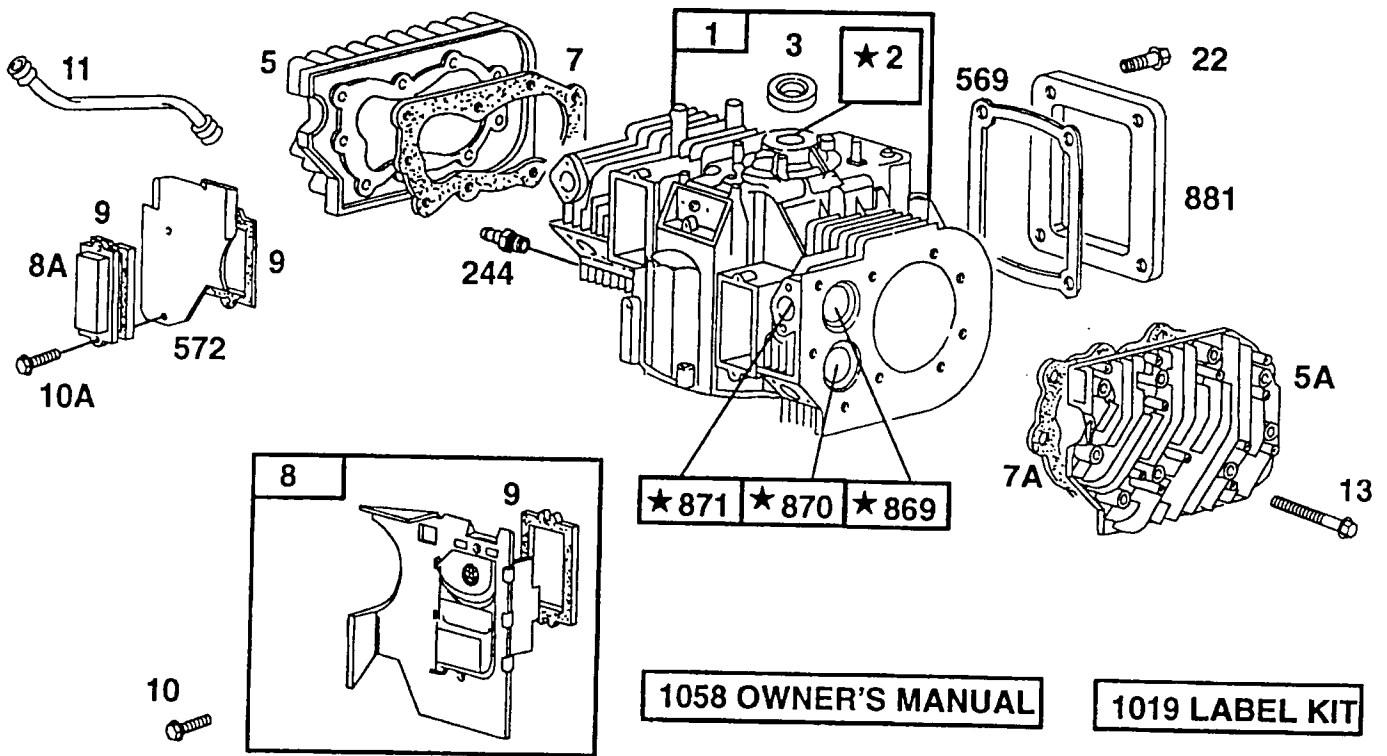
BRIGGS & STRATTON ENGINE - MODEL NUMBER 42A707, TYPE NUMBER 1624-01



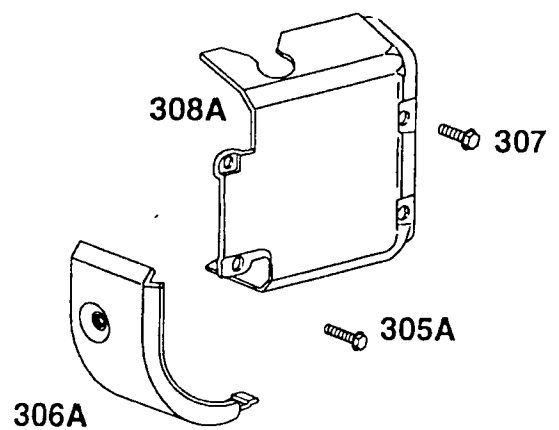
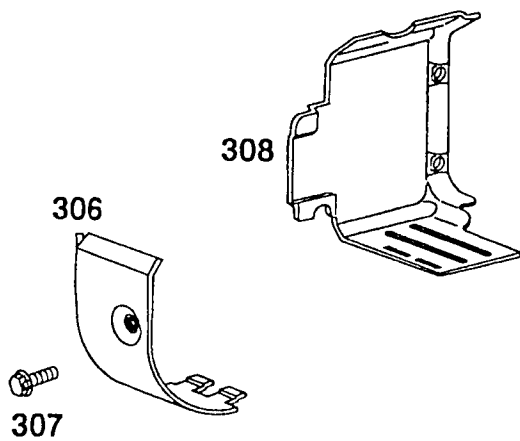
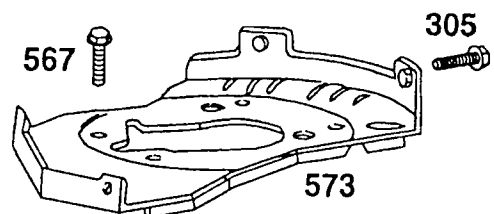
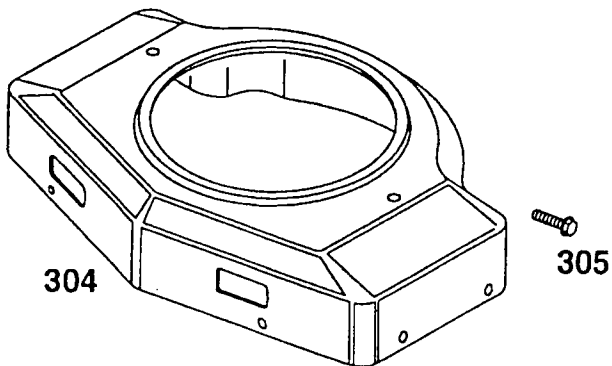
REPAIR PARTS

TRACTOR - - MODEL NUMBER 917.252761

BRIGGS & STRATTON ENGINE - MODEL NUMBER 42A707, TYPE NUMBER 1624-01



★ REQUIRES SPECIAL TOOLS TO INSTALL. SEE REPAIR INSTRUCTION MANUAL.



REPAIR PARTS

TRACTOR - - MODEL NUMBER 917.252761

BRIGGS & STRATTON ENGINE - MODEL NUMBER 42A707, TYPE NUMBER 1624-01

KEY PART NO.	NO.	DESCRIPTION	KEY PART NO.	NO.	DESCRIPTION
1	497074	Cylinder Assembly	54	94764	Screw, Sems
2	399265	Bushing	75	222511	Washer, Spring
3	391086	* Seal, Oil	78	94834	Screw, Sems
5	493457	Head, Cylinder #1	90	495181	Carburetor
5A	493458	Head, Cylinder #2	91	495035	Body Assembly, Upper
7	271867	* Gasket, Cylinder Head #1	93	231209	Bushing, Throttle Shaft
7A	271868	* Gasket, Cylinder Head #2	94	491538	** Valve, Idle Adjust
8	495754	Breather Assembly #1	95	93499	Screw, Sems
8A	222892	Cover, Breather Cylinder #2 (Used Only on Key #572, Air Baffle with Holes for Mounting)	96	221939	Valve, Throttle
			97	392672	Shaft, Throttle
			98	91920	Screw, Fillister Head
9	27803	* Gasket, Breather	99	26157	Spring, Throttle Adjust
10	94382	Screw, Sems	102	271607	** Gasket, Carburetor Body
10A	94830	Screw, Sems	103	298514	Float, Carburetor
11	280225	Tube, Breather	104	230896	** Pin, Float Hinge
12	271703	* Gasket, Crankcase, .015" Thick	105	394683	** Valve, Needle
	271188	* Gasket, Crankcase, .005" Thick	107	491543	Body Assembly, Lower
	271189	* Gasket, Crankcase, .009" Thick	108	223534	Valve, Choke
13	94565	Screw, Cylinder Head	109	392673	Shaft, Choke
15	94239	Plug, Oil Drain	116	280474	* O-Ring
16	394028	Crankshaft	117	231338	Jet, Needle Valve, Fixed
	94196	Timing Gear Key		231333	Jet, Needle Valve, Fixed, High Altitude
18	493304	Sump, Engine			Screw, Hex Head
20	291675	* Seal, Oil	119	94152	Carburetor Kit
22	94724	Screw, Sems	121	491539	Carburetor Kit
23	491180	Flywheel	127	223472	** Plug, Welch
24	222698	Key, Flywheel	161	496599	Base, Air Cleaner
25	394955	Piston Assembly, Standard Size	165	94289	Nut, Wing
	394956	Piston Assembly, .010" Oversize	187	299146	Line, Fuel, 28" Long (Cut to Suit)
	394957	Piston Assembly, .020" Oversize	188	94627	Screw
	394958	Piston Assembly, .030" Oversize	201	262683	Link
26	394959	Ring Set, Standard Size	202	262684	Link
	394960	Ring Set, .010" Oversize	203	280997	Crank, Bell
	394961	Ring Set, .020" Oversize	205	93971	Screw, Hex Head
	394962	Ring Set, .030" Oversize	206	94298	Nut, Square
27	260924	Lock, Piston Pin	207	262337	Spring, Control Rod
28	299691	Pin, Piston, Standard Size	209	262352	Spring, Governor
	391286	Pin, Piston, .005" Oversize	209A	261563	Spring, Governor Idle
29	394306	Rod, Connecting, Standard Size	219	394348	Gear, Governor
	397158	Rod, Connecting, .020" Undersize	219A	393415	Oil Slinger
32	94671	Screw, Connecting Rod	222	491282	Bracket, Control
33	390420	Valve, Exhaust	224	94297	Screw, Pan Head
34	261528	Valve, Intake	227	491297	Lever Assembly, Governor
35	65906	Spring, Valve, Intake			
36	26828	Spring, Valve, Exhaust			
40	221596	Retainer, Valve, Intake			
41	292260	Retainer, Valve, Exhaust			
42	494553	Keeper, Valve			
45	261368	Tappet, Valve			
46	213520	Gear, Cam			
50	213290	Manifold, Intake			
51	271412	**** Gasket, Carburetor Mounting			
51A	281411	Spacer, Carburetor			
52	270884	* Gasket, Intake Manifold Mounting			
53	93970	Screw, Hex Head, Carburetor to Manifold			

NOTE: All component dimensions given in U.S. inches
1 inch = 25.4 mm

REPAIR PARTS

TRACTOR - - MODEL NUMBER 917.252761

BRIGGS & STRATTON ENGINE - MODEL NUMBER 42A707, TYPE NUMBER 1624-01

KEY PART NO. NO.	DESCRIPTION	KEY PART NO. NO.	DESCRIPTION
230 223882	Washer, Governor Crank, Inside	569 272645	* Gasket, Base
235 224995	Shield, Fuel Spray	572 224816	Baffle, Air, Cylinder #2
240 394358	Filter, Fuel	573 491304	Plate, Back
244 230318	Connector, Fuel Line	592 92278	Nut, Hex.
257 93897	Screw, Sems	601 93053	Clamp, Hose
258 94623	Screw, Sems	615 94296	Retainer, E-Ring
259 223890	Bracket, Cable	616 491530	Crank, Governor
265 221535	Clamp, Casing	634 271013	** Washer, Throttle Shaft
267 94906	Screw, Sems	634A 491287	* Seal, Governor Shaft
284 94674	Screw, Hex Head	635 66538	Boot, Spark Plug
284A 94694	Screw, Hex Head	642 225008	Cover, Air Cleaner
304 495587	Housing, Blower, Red	643 496700	Plate, Air Cleaner
305 94786	Screw, Sems	653 93585	Screw, Hex Head
305A 93343	Screw, Sems	726 391362	Gear, Ring (Includes Mounting Parts)
306 222846	Shield, Cylinder	741 262989	Gear, Timing
306A 223734	Shield, Cylinder	783 280104	Gear, Starter
307 94386	Screw, Self-Tapping	801 394860	Cap, Drive
308 224774	Cover, Air Guide	802 497607	Cap, End
308A 224775	Cover, Air Guide	803 497604	Housing, Starter
309 497596	Motor, Starter	819 94675	Screw, Hex Head
310 94003	Bolt, Thru	842 270920	* Seal, Cap
311 497608	Brush Set	847 495715	Tube Assembly, Oil
332 230674	Nut, Hex	851 221798	Terminal, Cable
333 394891	Armature, Magneto	858 270989	*** Diaphragm, Carburetor
334 93381	Screw, Sems	859 271025	*** Gasket, Pump
337 802592	Plug, Spark	860 261358	*** Spring, Diaphragm
356 494705	Wire, Stop	861 393397	Repair Kit, Pump
358 491856	Gasket Set	868 497212	Seal, Valve
363 19203	Flywheel Puller	869 261463	Seat, Valve, Intake
383 89838	Wrench, Spark Plug	870 213316	Seat, Valve, Exhaust
387 280197	Body, Pump	871 261961	Bushing, Guide (Exhaust Only)
392 261395	*** Spring, Diaphragm	231218	Bushing, Guide (Intake, Brass)
394 270988	*** Diaphragm, Carburetor	877 393456	Wire, Alternator
414 220680	Washer	881 495901	Plate, Cover
422 222875	Bracket, Oil Fill	955 397882	Plug and Seal, Solenoid
432 221377	*** Cap, Spring	1005 281053	Fan, Flywheel
434 223688	Cover, Diaphragm	1006 224413	Retainer, Fan
435 93829	Screw, Diaphragm Cover	1019 496726	Label Kit
445 394019	Filter, Air	1058 272112	Owner's Manual
468 497908	Screen, Rotating	1090 497605	Retainer, Brush
474 393474	Alternator, Dual Circuit		
482 93621	Screw, Sems		
510 497606	Drive, Starter		RPM Settings: Low Speed: 1600-1800
523 494947	Cap, Oil Fill		High Speed: 3200-3400
524 271157	* Seal, Fill Tube		
525 495348	Tube, Oil Fill (Includes Seals)		* Included in Gasket Set (495868)
528 393815	Pipe, Fuel		** Included in Carburetor Kit (491539)
534 94823	Screw, Air Cleaner		*** Included in Carburetor Kit (491539), and Pump Repair Kit (393397)
535 272490	Filter, Air		**** Included in Gasket Set (495868), and Carburetor Kit (491539)
537 271411	**** Gasket, Air Cleaner		
544 497603	Armature, Starter		
552 262332	Lower Bushing, Governor		
552A 262331	Upper Bushing, Governor		
556 93585	Screw, Hex Head		
562 93853	Bolt, Governor Lever		
567 94811	Screw, Hex Head, Back Plate to Cylinder		

NOTE: All component dimensions given in U.S. inches
1 inch = 25.4 mm

SERVICE NOTES

CRAFTSMAN®

IMPORT

Max & ERIK PEDERSEN
Aabyvej 69
DK-8230 Aabyhøj - Aarhus

Telefon 86-15 44 44
Fax 86-15 41 88

FORHANDLER

