



REPAIR PARTS MANUAL
MODEL NO. 252770
Lawn Tractor

19/42 H

CRAFTSMAN®

HOW TO USE THIS MANUAL

This manual is designed to provide the customer with a means to identify the parts on his/her tractor when ordering repair parts. The illustrations may or may not represent the actual assemblies; therefore, it is not recommended to use this manual as a guide to assemble or disassemble the tractor. Some hardware and parts are drawn larger in order to more readily identify them.

Each tractor has its own model number.

The model number for your tractor can be found on the fender under the seat.

When ordering parts, always give the following information:

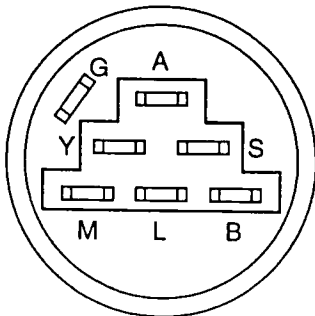
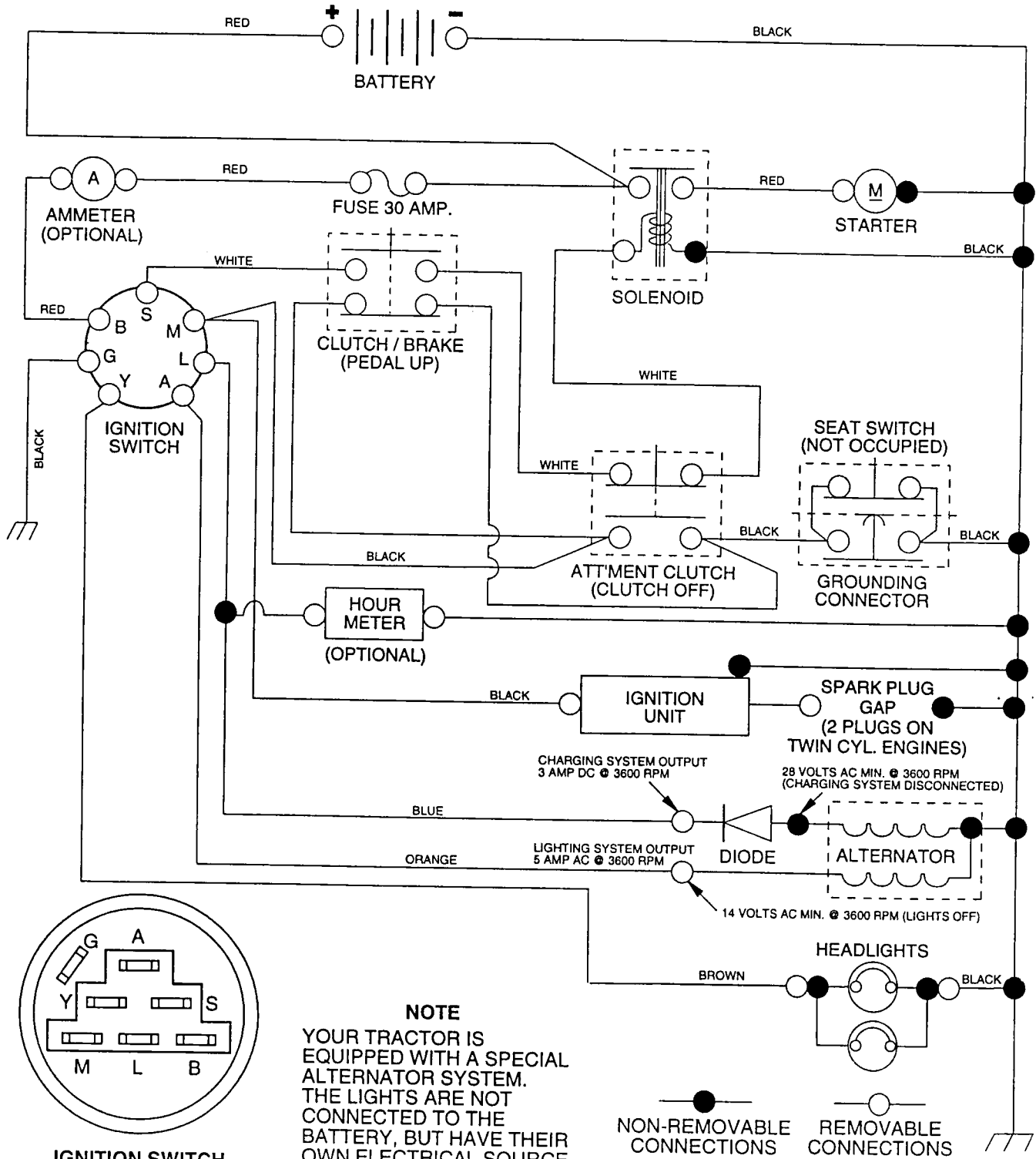
- Product - "Tractor"
- Model Number - "252770"
- Part Number
- Part Description

TABLE OF CONTENTS

| | |
|-----------------------|-------|
| SCHEMATIC | 3 |
| ELECTRICAL | 4-5 |
| CHASSIS | 6-7 |
| DRIVE | 8-9 |
| STEERING WHEEL | 10-11 |
| ENGINE | 12-13 |
| DECALS | 14 |
| SEAT | 15 |
| MOWER LIFT LEVER..... | 16-17 |
| MOWER DECK | 18-19 |
| TRANSAXLE | 20-21 |

TRACTOR - - MODEL NUMBER 917.252770

SCHEMATIC



IGNITION SWITCH

| POSITION | CIRCUIT | "MAKE" |
|-----------|-----------|--------|
| OFF | G + M + L | NONE |
| RUN/LIGHT | B + L | A + Y |
| RUN | B + L | NONE |
| START | B + L + S | NONE |

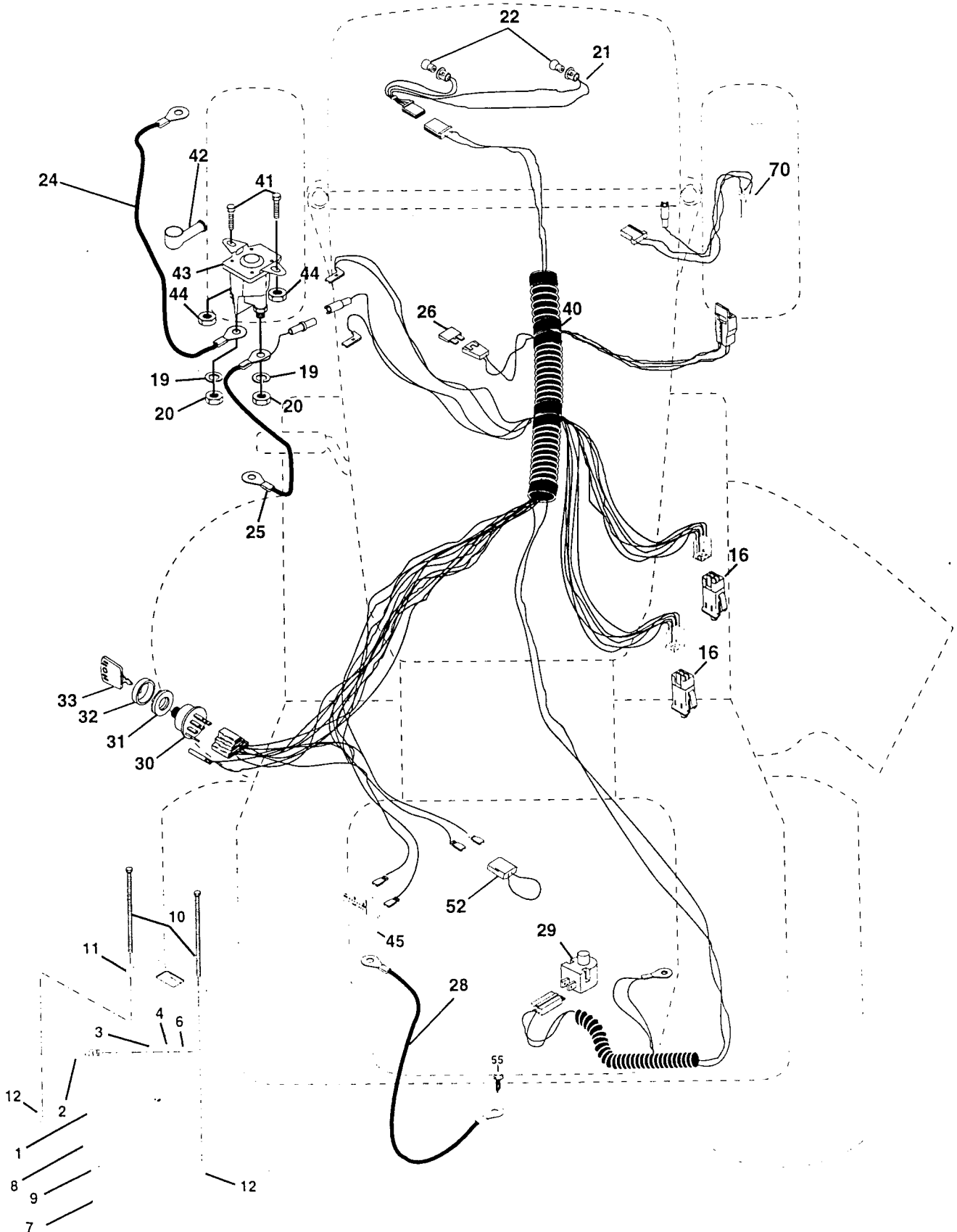
NOTE
 YOUR TRACTOR IS EQUIPPED WITH A SPECIAL ALTERNATOR SYSTEM. THE LIGHTS ARE NOT CONNECTED TO THE BATTERY, BUT HAVE THEIR OWN ELECTRICAL SOURCE. BECAUSE OF THIS, THE BRIGHTNESS OF THE LIGHTS WILL CHANGE WITH ENGINE SPEED. AT IDLE THE LIGHTS WILL DIM. AS THE ENGINE IS SPEEDED UP, THE LIGHTS WILL BECOME THEIR BRIGHTEST.

WIRING INSULATED CLIPS
NOTE: IF WIRING INSULATED CLIPS WERE REMOVED FOR SERVICING OF UNIT, THEY SHOULD BE REPLACED TO PROPERLY SECURE YOUR WIRING.

REPAIR PARTS

TRACTOR - - MODEL NUMBER 917.252770

ELECTRICAL



REPAIR PARTS

TRACTOR - - MODEL NUMBER 917.252770

ELECTRICAL

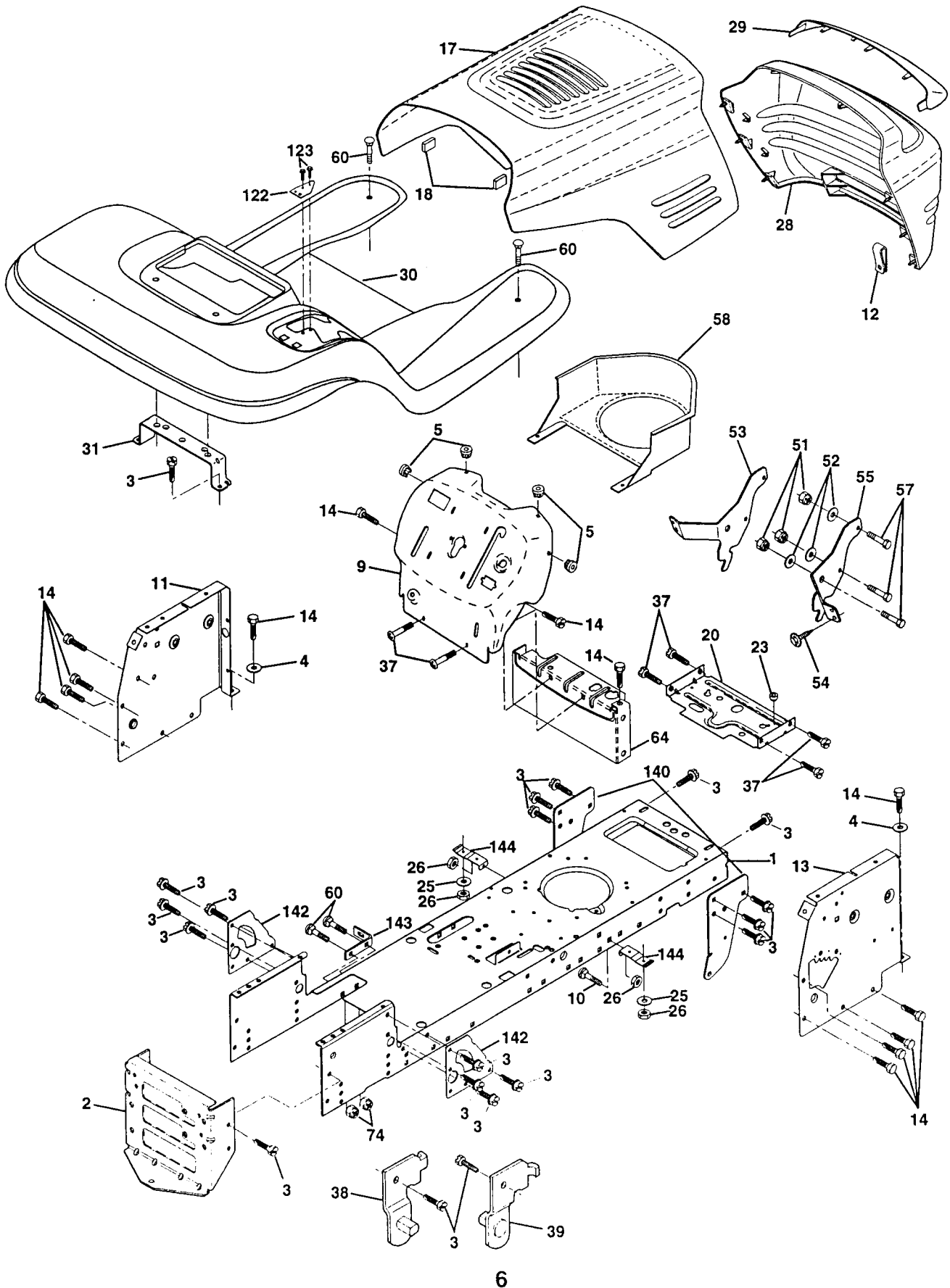
| KEY NO. | PART NO. | DESCRIPTION |
|---------|-----------|-----------------------------------|
| 1 | 144926 | Battery |
| 2 | 74760412 | Bolt, Hex 1/4-20 x 3/4 |
| 3 | STD551025 | Washer 9/32 x 5/8 x 16 Gauge |
| 4 | STD551125 | Washer, Lock 1/4 |
| 6 | STD541025 | Nut, Hex 1/4-20 |
| 7 | 7697J | Tube |
| 8 | 7603J | Tray, Battery |
| 9 | 109596X | Clamp, Hose |
| 10 | 145211 | Bolt, Btr Front 1/4-20 x 7-1/2 |
| 11 | 150109 | Holddown Battery Front Mount |
| 12 | 145769 | Nut, Push Nylon Battery Front 1/4 |
| 16 | 153664 | Switch Interlock Push-In |
| 19 | STD551125 | Washer, Lock 1/4 |
| 20 | 73350400 | Nut, Hex, Jam 1/4-20 |
| 21 | 147430 | Harness, Light Socket (w/4152J) |
| 22 | 4152J | Light Bulb |
| 24 | 4799J | Cable, Battery |
| 25 | 146148 | Cable, Battery |
| 26 | 108824X | Fuse |
| 28 | 145491 | Cable, Ground |
| 29 | 121305X | Switch, Seat |
| 30 | 140301 | Switch, Ignition 4 Position |
| 31 | 124211X | Nut, Ignition |
| 32 | 141226 | Cover, Ignition Switch |
| 33 | 109310X | Key, Molded, Craftsman |
| 40 | 156442 | Harness, Ignition |
| 41 | 71110408 | Bolt Blk Fin Hex 1/4-20 UNC x 1/2 |
| 42 | 131563 | Cover, Terminal |
| 43 | 145673 | Solenoid |
| 44 | 73640400 | Nut Keps Blk Hex 1/4-20 UNC |
| 45 | 121433X | Ammeter Rectangular 6 Amp |
| 52 | 141940 | Protection Wire Loop (Hour Meter) |
| 55 | 17490508 | Screw Thdrol 5/16-18 x 1/2 |
| 70 | 140413 | Harness Engine B&S/Tec Dual |

NOTE: All component dimensions given in U.S. inches
1 inch = 25.4 mm

REPAIR PARTS

TRACTOR - - MODEL NUMBER 917.252770

CHASSIS AND ENCLOSURES



REPAIR PARTS

TRACTOR - - MODEL NUMBER 917.252770

CHASSIS AND ENCLOSURES

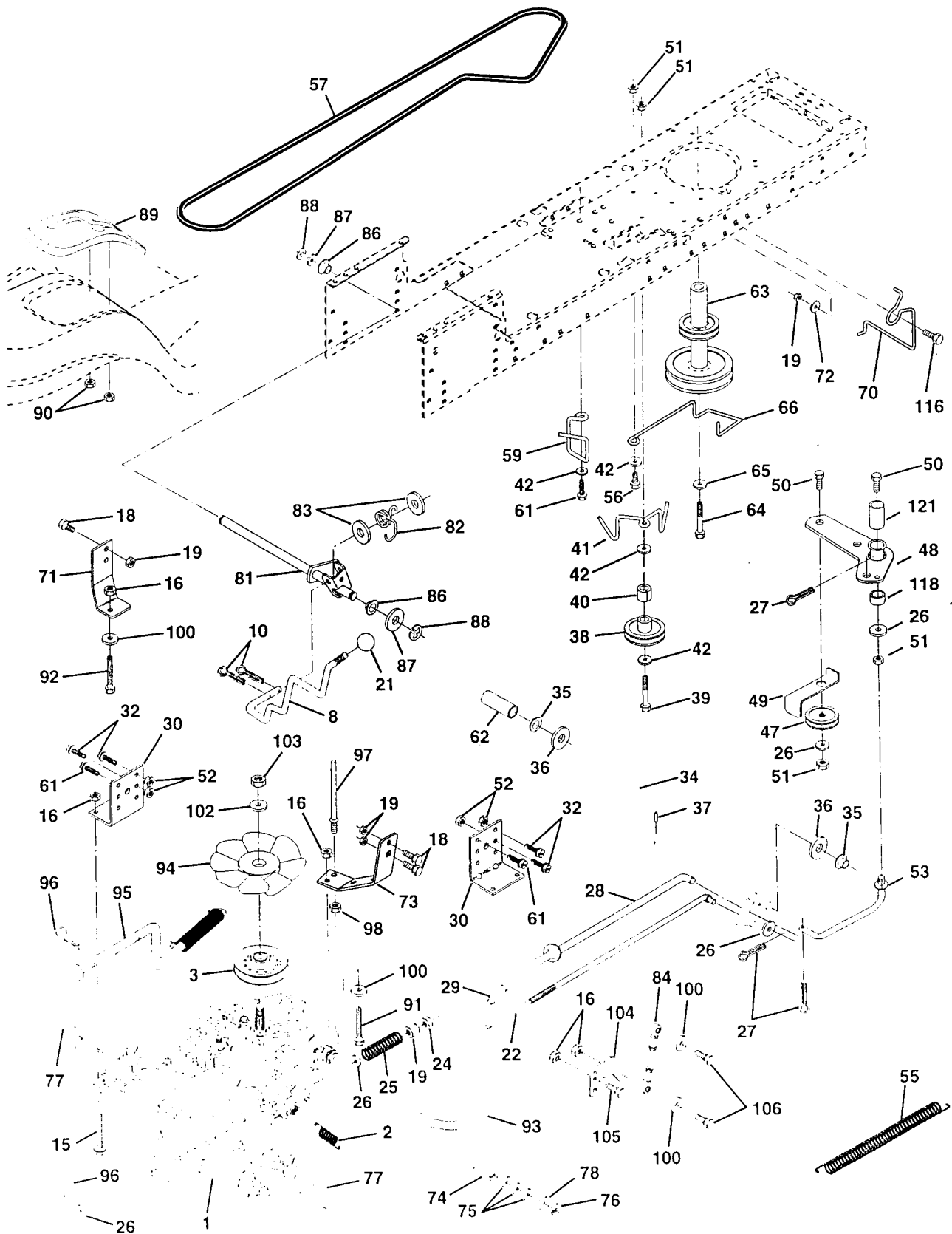
| KEY NO. | PART NO. | DESCRIPTION |
|---------|------------|---|
| 1 | 153871 | Chassis |
| 2 | 140356 | Drawbar |
| 3 | 17490612 | Screw, Thd., Roll. 3/8-16 x 3/4 Type TT |
| 4 | STD551025 | Washer 13/32 x 3/4 x 16 Gauge |
| 5 | 155272 | Bumper Hood/Dash |
| 9 | 150156X013 | Dash, Silkscreened |
| 10 | STD533710 | Bolt, Carriage 3/8-16 x 1 |
| 11 | 155927 | Panel, Dash, LH |
| 12 | 145660 | Clip Tinnerman Grille P/L |
| 13 | 155936 | Panel, Dash, RH |
| 14 | 17490608 | Screw, Thd., Roll. 3/8-16 x 1/2 Type TT |
| 17 | 144983X558 | Hood Assembly |
| 18 | 126938X | Bumper Hood |
| 20 | 156437 | Plate Mtg Battery Fuel Tank |
| 23 | 124028X | Bushing, Snap, Nylon, Fuel Line |
| 25 | 19131312 | Washer 13/32 x 13/16 x 12 Gauge |
| 26 | STD541437 | Locknut, Hex, with Insert 3/8-16 UNC |
| 28 | 145198X558 | Grille, W/Clips MS-558 |
| 29 | 155217 | Lens, Grille |
| 30 | 151287X558 | Fender/Footrest |
| 31 | 139976 | Bracket, Fender/Support |
| 37 | 17490508 | Screw, Thdrol. 5/16-18 x 1/2 TYT |
| 38 | 139886 | Pivot Bracket Assembly, LH, Mower, Rear |
| 39 | 139887 | Pivot Bracket Assembly, RH, Mower, Rear |
| 51 | 73800400 | Nut Lock W/Insert 1/4 - 20 UNC |
| 52 | 19091416 | Washer 9/32 X 7/8 X 16 Ga. |
| 53 | 145201 | Bracket Grille Pickoff LH |
| 54 | 17030814 | Screw, Hex Head, Spiderlock #8 x 7/8 AB |
| 55 | 145202 | Bracket Grille Pickoff RH |
| 57 | STD552507 | Bolt FinHex 1/4 -20 UNC X.75 |
| 58 | 140547 | Air Duct P/L 18HP B&S Opp. Twin |
| 60 | STD533707 | Bolt Rdhd Sqnk 3/8-16 UNC x 3/4 |
| 64 | 154798 | Dash Lower STLT |
| 74 | STD541437 | Nut Crownlock 3/8-16 UNC |
| 122 | 157301 | Bracket Shift Stlt |
| 123 | 152927 | Screw |
| 140 | 158418 | Bracket Suspension Front |
| 142 | 156095 | Plate Reinforcement STLT |
| 143 | 154966 | Backrest Swaybar Chassis |
| 144 | 154207 | Bracket Footrest STLT |

NOTE: All component dimensions given in U.S. inches
1 inch = 25.4 mm

REPAIR PARTS

TRACTOR - - MODEL NUMBER 917.252770

DRIVE



REPAIR PARTS

TRACTOR - - MODEL NUMBER 917.252770

DRIVE

| KEY NO. | PART NO. | DESCRIPTION | KEY NO. | PART NO. | DESCRIPTION |
|---------|-----------|-----------------------------------|---------|-----------|-----------------------------------|
| 1 | 150071 | Transaxle Assembly | 64 | 71170764 | Bolt Hex 7/16-20 x 4 Gr. 5 |
| 2 | 142431 | Spring, Return, Brake | 65 | STD551143 | Washer |
| 3 | 143995 | Pulley, Transaxle | 66 | 154778 | Keeper Belt Engine Full-Proof |
| 8 | 154792 | Rod Shift Fender STLT | 70 | 134683 | Guide Belt Mower Drive RH |
| 10 | STD561210 | Pin Cotter 1/8 x 1 CAD | 71 | 140158 | Strap Torque Lh Hydro 18/20" T |
| 15 | 74490544 | Bolt Hex Flghd 5/16-18 Gr. 5 | 72 | 19132012 | Washer 13/32 x 1-1/4 x 12 Ga. |
| 16 | STD541431 | Nut Lock Hex W/Ins. 5/16-18 Unc | 73 | 156347 | Strap Torque Rh Hydro 0650 |
| 18 | STD523710 | Bolt Fin Hex 3/8-16 Unc x 1 Gr. 5 | 74 | 121199X | Spacer, Split |
| 19 | STD541437 | Nut Lock Hex W/Wsh 3/8-16 Unc | 75 | 121749X | Washer 25/32 x 1-1/4 x 16 Gauge |
| 21 | 130564 | Knob, Deluxe 1/2-13 | 76 | STD581075 | E-Ring |
| 22 | 145627 | Rod, Brake Hydro | 77 | 123583X | Key, Square |
| 24 | 73350600 | Nut, Hex Jam 3/8-16 Unc | 78 | 121748X | Washer 25/32 x 1-5/8 x 16 Gauge |
| 25 | 106888X | Spring, Brake Rod | 81 | 156046 | Shaft Asm. Cross Hydro 20" Tires |
| 26 | STD551037 | Washer | 82 | 123782X | Spring Torsion T/A |
| 27 | STD561210 | Pin Cotter 1/8 x 3/4 CAD. | 83 | 19171216 | Washer 17/32 x 3/4 x 16 Ga. |
| 28 | 145204 | Rod, Parking Brake | 84 | 140548 | Rod, Tie Hydro 20" Tires |
| 29 | 124236X | Cap, Parking Brake | 86 | 71208 | Bushing Rod Strig. 629/632 ID |
| 30 | 130807 | Bracket, Transaxle | 87 | 19212016 | Washer 21/32 x 1-1/4 x 16 Ga. |
| 32 | 74760512 | Bolt Hex Hd 5/16-18 Unc x 3/4 | 88 | 12000008 | Ring Klip #5304-62 |
| 34 | 155071 | Shaft, Foot Pedal | 89 | 154882 | Console, Shift |
| 35 | 120183X | Bearing, Nylon | 90 | 124346X | Nut Self-Thd Wsh-hd 1/4 Zinc |
| 36 | 19211616 | Washer | 91 | 74780536 | Bolt Fin Hex 5/16-18 x 2-1/4 |
| 37 | 1572H | Pin, Roll | 92 | 74780524 | Bolt Fin Hex 5/6-18 Unc x 1-1/2 |
| 38 | 123674X | Pulley, Idler, Flat | 93 | 142564 | Line Fuel Hydro 4" |
| 39 | STD523727 | Bolt | 94 | 140462 | Fan, Hydro 7" |
| 40 | 4470J | Spacer, Split | 95 | 144643 | Control Bypass Hydro 20" Tires |
| 41 | 154777 | Keeper, Belt Idler | 96 | STD624003 | Retainer Spring 1" Zinc/Cad |
| 42 | 19131312 | Washer 13/32 x 13/16 x 12 Gauge | 97 | 140469 | Keeper Bolt Rh Hydro 0750. 18/20" |
| 47 | 127783 | Pulley, Idler, V-Groove | 98 | 73510600 | Nut Keps Hex 3/8-16 Unc |
| 48 | 154604 | Bellcrank Assembly | 100 | 19111216 | Washer 11/32 x 3/4 x 16 Ga. |
| 49 | 123205X | Retainer, Belt | 102 | 141322 | Washer Bellville .501D x 1.50D |
| 50 | STD523715 | Bolt | 103 | 73940800 | Nut Hex Jam Toplock 1/4-20 Unf |
| 51 | STD541437 | Nut Crownlock 3/8-16 UNC | 104 | 140156 | Arm, Control Hydro |
| 52 | STD541431 | Nut, Crownlock 5/16-18 Unc | 105 | 71070516 | Screw Cap Hex 5/16 x 18 x 1 |
| 53 | 105710X | Link, Clutch | 106 | 74780520 | Bolt Fin Hex 5/16-18 Unc x 1-1/4 |
| 55 | 105709X | Spring, Return, Clutch | 116 | 72110610 | Bolt Rdhd Sqnk 3/8-16 x 1.25 |
| 56 | STD523712 | Bolt Hex 3/8-16 x 1-1/4 | 118 | 154774 | Spacer Bellcrank |
| 57 | 140294 | V-Belt, Ground Drive | 121 | 154419 | Myliner Clutching STL |
| 59 | 140312 | Keeper, Center Span | | | |
| 61 | 17490612 | Screw Thdrol. 3/8-16 x 3/4 Ty. TT | | | |
| 62 | 8883R | Cover, Pedal | | | |
| 63 | 140186 | Pulley, Engine | | | |

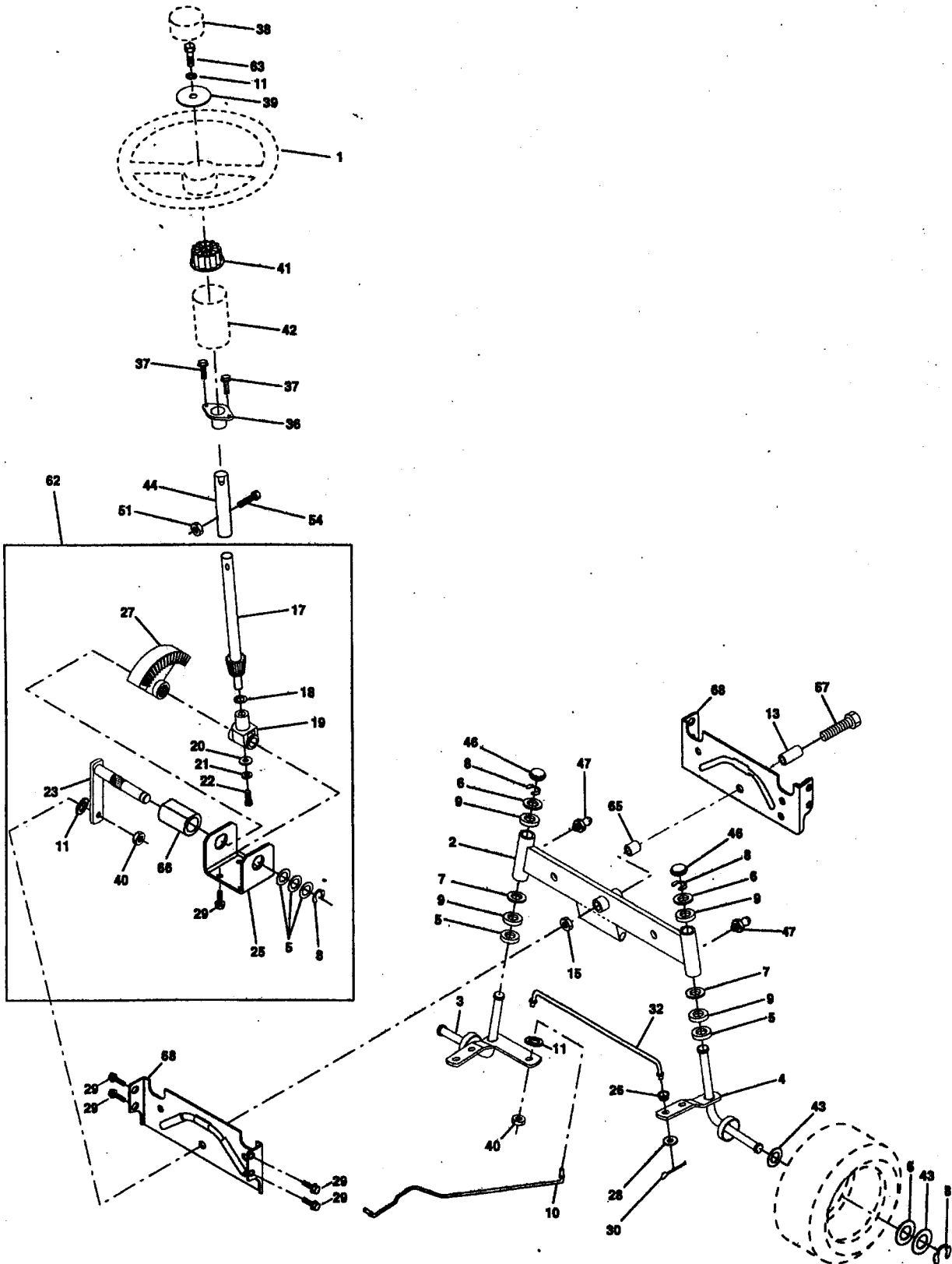
NOTE: All component dimensions given in U.S. inches
1 inch = 25.4 mm

REPAIR PARTS

TRACTOR -- MODEL NUMBER 917.258500

STEERING ASSEMBLY

252770



REPAIR PARTS

TRACTOR - - MODEL NUMBER 917.252770

STEERING ASSEMBLY

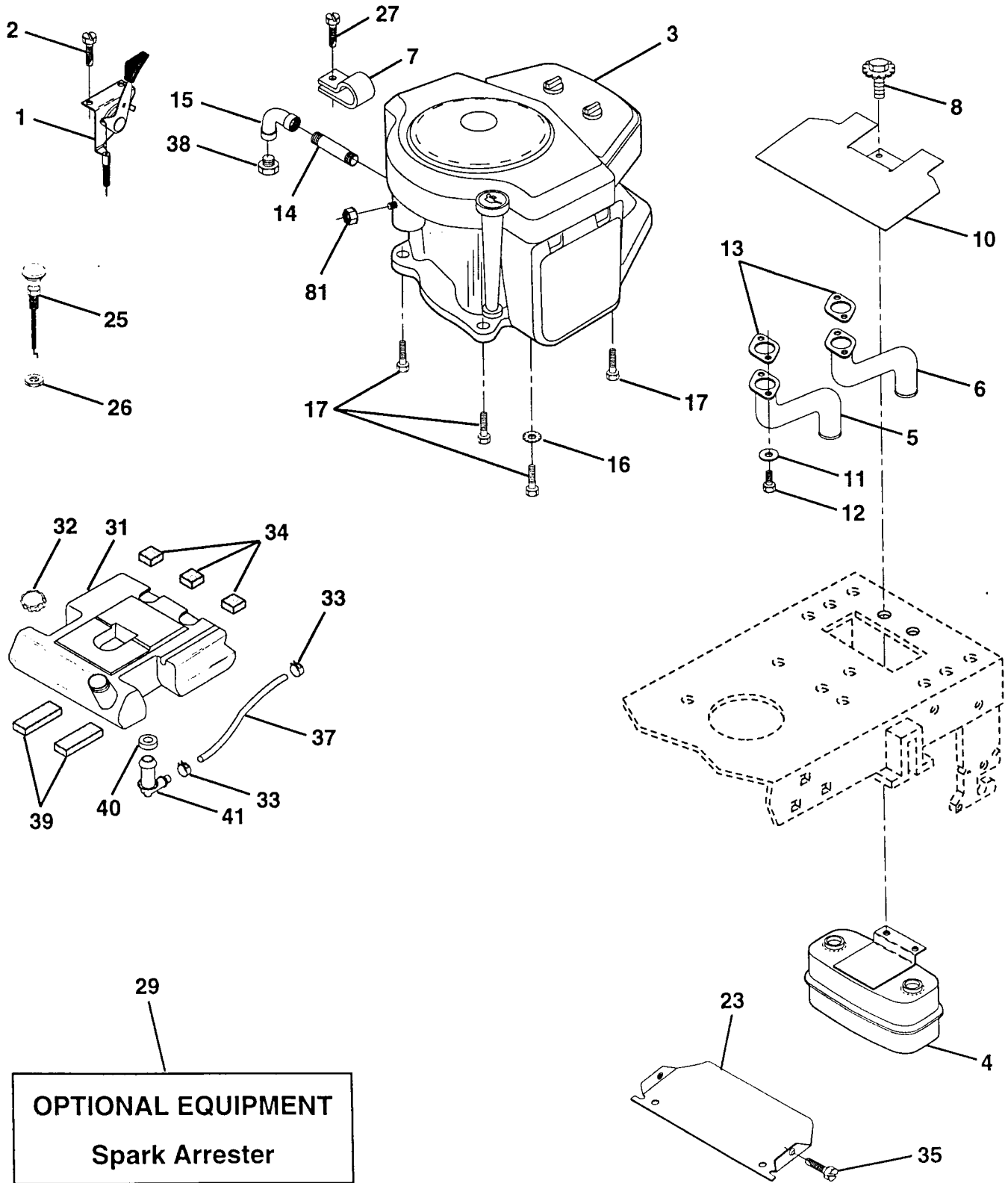
| KEY NO. | PART NO. | DESCRIPTION |
|---------|-----------|-------------------------------------|
| 1 | 139768 | Wheel Steering Std Black |
| 2 | 154427 | Axle Asm Front |
| 3 | 154422 | Spindle Asm Lh |
| 4 | 154423 | Spindle Asm Rh |
| 5 | 6266H | Bearing Race Thrust Harden |
| 6 | 121748X | Washer 25/32 X 1 5/8 X 16ga |
| 7 | 19272016 | Washer 27/32 X 1 1/4 X 16 Ga |
| 8 | 12000029 | Ring Klip #t5304-75 |
| 9 | 3366R | Bearing Col Strg Blk |
| 10 | 156438 | Link Drag Extended Stamped |
| 11 | STD551137 | Washer Lock Hvy Hlcl Spr 3/8 |
| 13 | 154779 | Bearing Axle STLT/GT |
| 15 | 73901000 | Locknut Flange 5/8-11 UNC |
| 17 | 156546 | Shaft Asm Strg Private Label |
| 18 | 57079 | Washer Thrust 515x 750x 033 |
| 19 | 124035X | Support Shaft |
| 20 | 126684X | Washer Shim 1/4 X 5/8 X .062 |
| 22 | 71200410 | Screw Hex Sckt 1/4-20 x 5/8 |
| 23 | 127501 | Shaft Asm Pittman |
| 25 | 154406 | Bracket Steering |
| 26 | 126847X | Bushing Rod Tie Blk Lt |
| 27 | 136874 | Gear Sector |
| 28 | 19131416 | Washer 13/32 X 7/8 X 16ga |
| 29 | 17490612 | Screw Thdrol 3/8-16x3/4 Ty-tt |
| 30 | STD561210 | Pin Cotter 1/8 X 3/4 Cad |
| 32 | 130465 | Rod Tie Wire Form 19 75 Mech |
| 36 | 155099 | Bushing Strg 5/8 Id Dash |
| 37 | 152927 | Screw TT #10-32x5x3/8 Flange |
| 38 | 139769 | Insert Cap Strg Wheel Std Blk |
| 39 | 19133808 | Washer 13/32 X 2-3/8 X 8 Ga |
| 40 | STD541537 | Nut Lock Center 3/8-24 UNF |
| 41 | 100711L | Adaptor Wheel Strg |
| 42 | 145054 | Boot Shaft Steering |
| 43 | 121749X | Washer 25/32 X 1 1/4 X 16 Ga |
| 44 | 153720 | Extension Steering Non-Adjust |
| 46 | 121232X | Cap Spindle Fr Top Blk |
| 47 | 6855M | Fitting Grease |
| 51 | STD541431 | Nut Lock Hex W/Ins 5/16 -18 UNC |
| 54 | 74780520 | Bolt Fin Hex 5/16 - 18 UNC X 1 -1/4 |
| 62 | 146594 | Kit, Steering Assembly |
| 63 | 74780616 | Bolt Fin Hex 3/8-16unc x 1 Gr.5 |
| 65 | 154780 | Spacer Axle |
| 66 | 154404 | Bearing Arm Pittman |
| 67 | 74781044 | Bolt Fin Hex 5/8-11 UNC x 2-3/4 |
| 68 | 154429 | Axle Brace |

NOTE: All component dimensions given in U.S. inches
1 inch = 25.4 mm

REPAIR PARTS

TRACTOR - - MODEL NUMBER 917.252770

ENGINE



REPAIR PARTS

TRACTOR - - MODEL NUMBER 917.252770

ENGINE

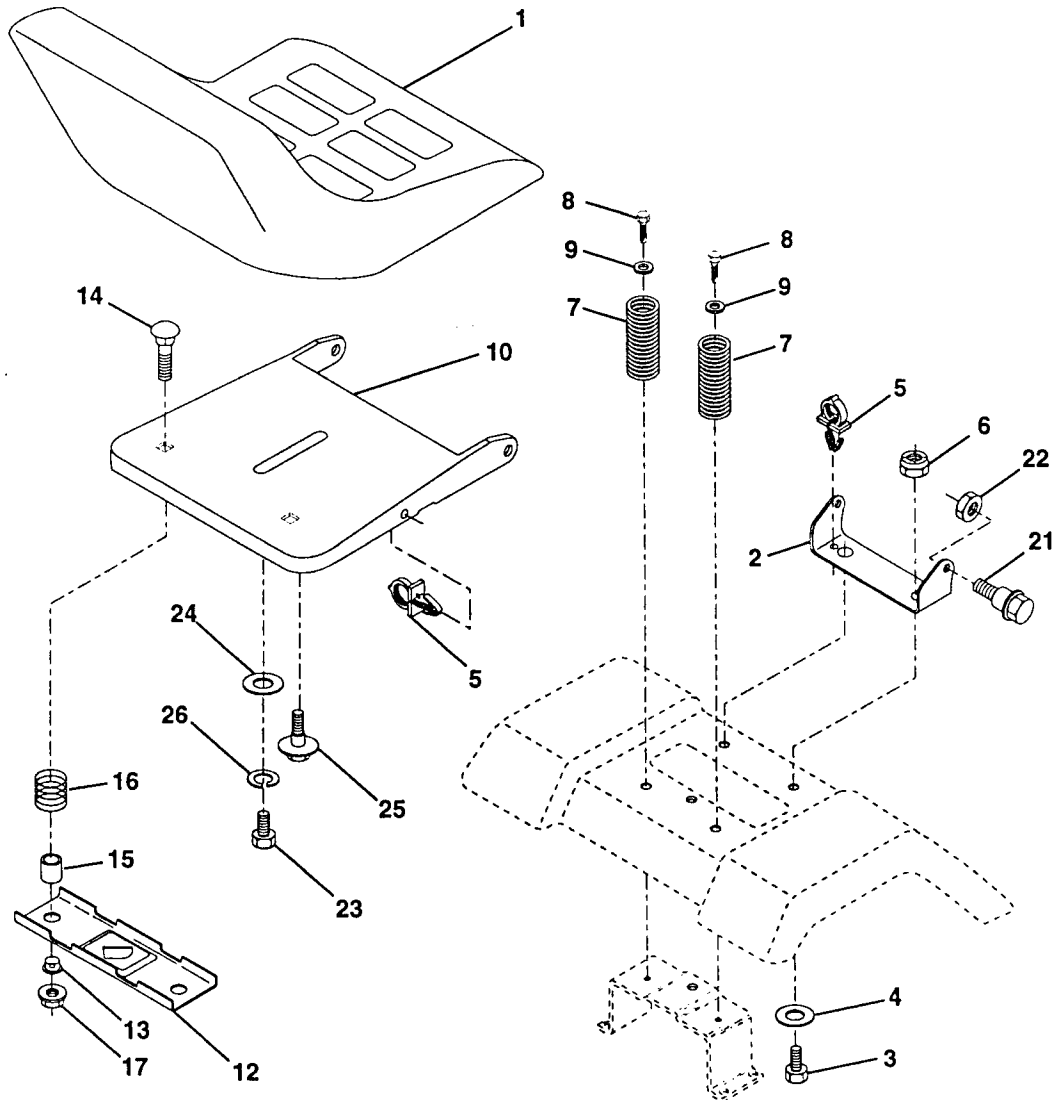
| KEY NO. | PART NO. | DESCRIPTION |
|---------|-----------|---|
| 1 | 151273 | Control Throt Paddle 32 22 |
| 2 | 17720410 | Screw Hex Thd Cut 1/4-20x5/8 T |
| 3 | ----- | Engine (See Breakdown) Briggs Model No. 42A707-1624-01 |
| 4 | 149723 | Muffler Exhaust |
| 5 | 144069 | Exhaust Asm. Left |
| 6 | 144068 | Exhaust Asm. Right |
| 7 | 138129 | Clamp Tube Double Engine |
| 8 | 150176 | Bolt 5/16 - 18 UNC X 3/4 W/Sems |
| 10 | 145552 | Heat Shield Lt |
| 11 | STD551125 | Washer Lock Hvy. Helical 1/4 |
| 12 | STD522507 | Bolt Fin Hex 1/4-20 x 3/4 |
| 13 | 272250 | Gasket Muffler |
| 14 | 13280336 | Nipple Pipe 4-1/2" |
| 15 | 13200300 | Elbow Std 90 Degree 3/8-18 Npt |
| 16 | STD551237 | Washer Lock Ext Tooth 3/8 |
| 17 | 17490624 | Screw Thdrol 3/8-16x1-1/2 Tytt |
| 23 | 156123 | Shield Browning |
| 25 | 145996 | Control Choke |
| 26 | 73920600 | Nut Keps 3/8-24 Unf |
| 27 | 152927 | Screw TT #10-32 x 5 x 3/8 Flange |
| 29 | 137180 | Arrestor Spark |
| 31 | 153630 | Tank Fuel 3 50 Rear |
| 32 | 155971 | Cap Fuel Guage STLT |
| 33 | 123487X | Clamp Hose Blk |
| 34 | 106082X | Spacer Pad |
| 35 | 17490512 | Screw Thdrol 5/16-18 x 3/4 TYT |
| 37 | 8543R | Line Fuel |
| 38 | ----- | Plug Oil Drain (Order From Engine Manufacturer) |
| 39 | 109227X | Pad Idler 1.75 x .75 x .06 |
| 40 | 3645J | Bushing |
| 41 | 139277 | Stem Tank Fuel |
| 81 | 128861 | Nut, Flange 1/4-20 Starter Nut |

NOTE: All component dimensions given in U.S. inches
1 inch = 25.4 mm

REPAIR PARTS

TRACTOR - - MODEL NUMBER 917.252770

SEAT ASSEMBLY



| KEY NO. | PART NO. | DESCRIPTION |
|---------|-----------|--------------------------------|
| 1 | 140123 | Seat |
| 2 | 140551 | Bracket Pnt Pivot Seat (blk) |
| 3 | STD523710 | Bolt Fin Hex 3/8-16 UNC x 1 |
| 4 | 19131610 | Washer Flat 13/32 x 1 x 10 Ga |
| 5 | 145006 | Clip Push-In |
| 6 | STD541437 | Nut Lock Hex W/Ins 3/8 -16 UNC |
| 7 | 124181X | Spring Seat Cprsn 2 250 Blk Zi |
| 8 | 17490616 | Screw 3/8-16x1 |
| 9 | 19131614 | Washer 13/32 x 1 x 14 Ga |
| 10 | 155925 | Pan Pnt Seat (blk) |
| 12 | 121246X | Bracket Pnt Mounting Switch |

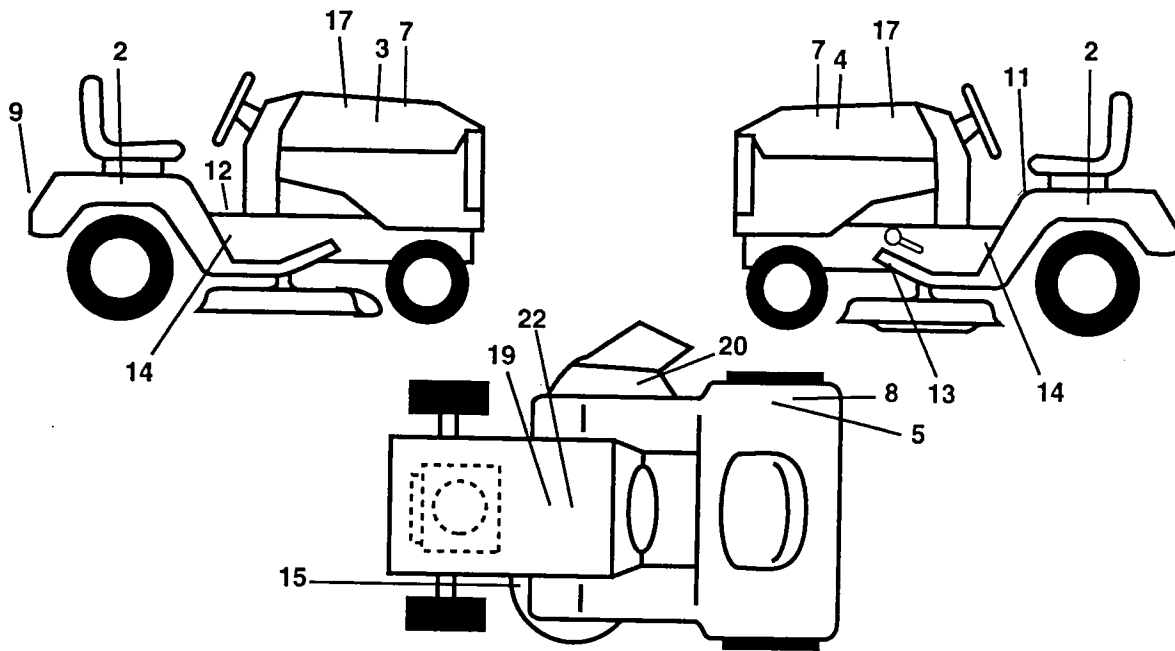
| KEY NO. | PART NO. | DESCRIPTION |
|---------|-----------|--------------------------------|
| 13 | 121248X | Bushing Snap Blk Nyl 50 Id |
| 14 | 72050411 | Bolt Rdhd Sht Nk 1/4-20x1-3/8 |
| 15 | 134300 | Spacer Split 28 X 96 Zinc |
| 16 | 121250X | Spring Cprsn 1 27 Blk Pnt |
| 17 | 123976X | Nut Lock 1/4 Lge Flg Gr 5 Zinc |
| 21 | 153236 | Bolt Shoulder 5/16-18 Unc |
| 22 | STD541431 | Nut Lock Hex W/Ins 5/16-18 |
| 23 | 74780814 | Bolt Fin Hex 1/2-13 X 7/8 Gr 5 |
| 24 | 19171912 | Washer 17/32 X 1-3/16 X 12 Ga |
| 25 | 127018X | Bolt Shoulder 5/16-18 X 62 |
| 26 | STD551150 | Washer Lock Hvy Hlcl Spr 1/2 |

NOTE: All component dimensions given in U.S. inches
1 inch = 25.4 mm

REPAIR PARTS

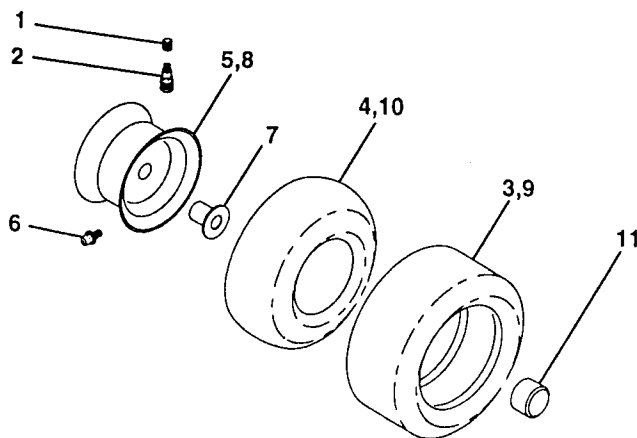
TRACTOR - - MODEL NUMBER 917.252770

DECALS



| KEY NO. | PART NO. | DESCRIPTION | KEY NO. | PART NO. | DESCRIPTION |
|---------|----------|--------------------------------|---------|----------|-------------------------------------|
| 2 | 156810 | Decal Fend Auto Sears Gold | 19 | 138047 | Decal, Battery Diehard Sears |
| 3 | 151299 | Decal Hood Rh | 20 | 156787 | Decal Deck Mower EZ3 Mulching |
| 4 | 151300 | Decal Hood Lh | 22 | 145005 | Decal Battery Dan/Poi P/L |
| 5 | 125690X | Decal 100 DBA | -- | 138311 | Decal Lift Handle |
| 7 | 150927 | Decal Panel Side B&S | -- | 142341 | Decal, Drawbar Cntrl. Mvt. Hyd. Lt. |
| 8 | 145437 | Decal Durope Stand CE | -- | 154515 | Pad Footrest Lh STLT |
| 9 | 146709 | Decal Fender Craftsman | -- | 154516 | Pad Footrest Rh STLT |
| 11 | 145498 | Decal Read Owner's Manual Syms | -- | 159391 | Manual, Operator's (Euro) |
| 12 | 140837 | Decal Saddle Brake Parking | -- | 159392 | Manual, Operator's (Scan) |
| 13 | 146046 | Decal V-belt Dr Sch Tractor E | -- | 159711 | Manual, Parts |
| 14 | 147138 | Decal Chassis Hydro 42" | | | |
| 15 | 136832 | Decal Mower Drive Schematic | | | |
| 17 | 156798 | Decal, Insert, Hood | | | |

WHEELS & TIRES



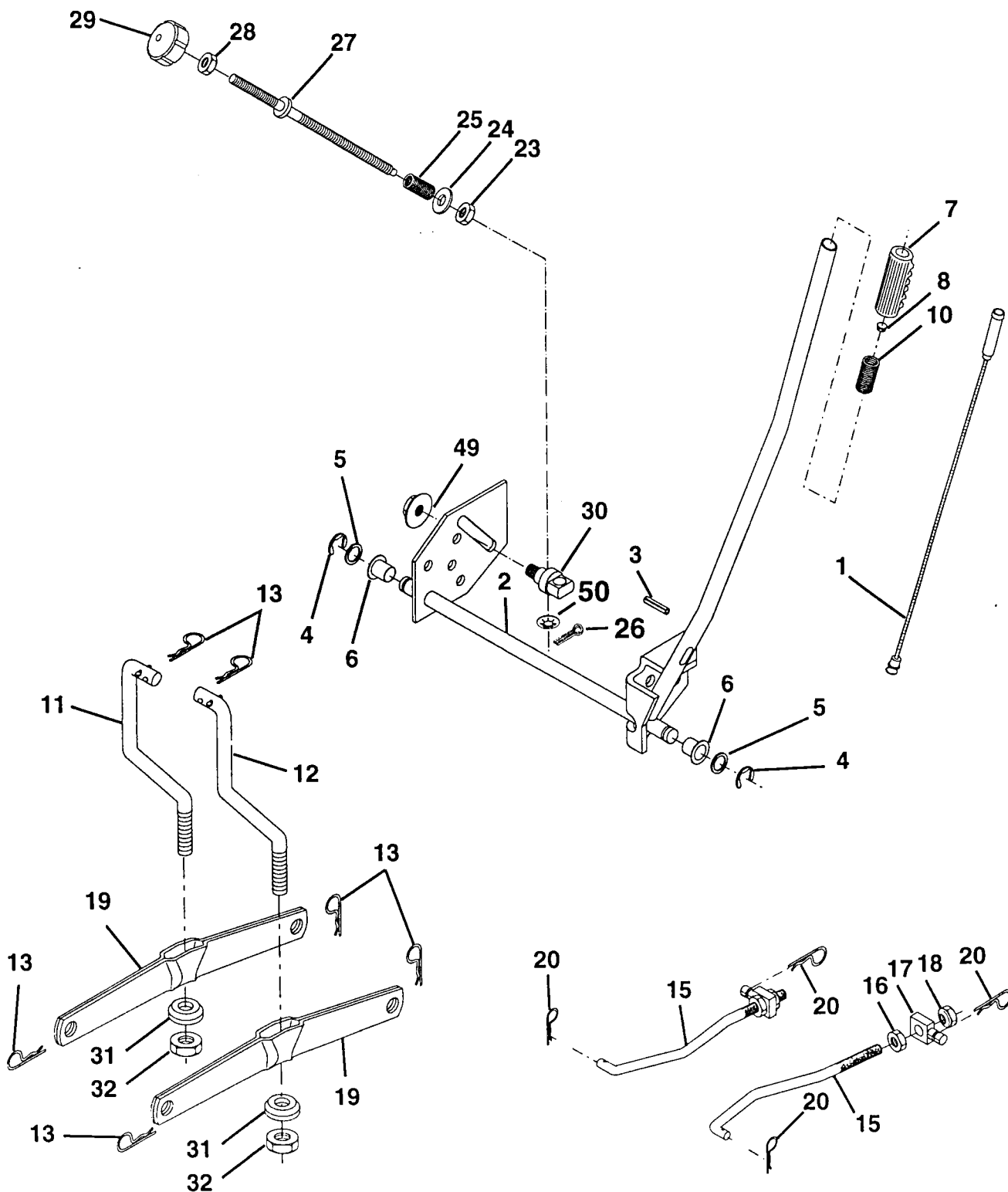
| KEY NO. | PART NO. | DESCRIPTION |
|---------|------------|---|
| 1 | 59192 | Valve Cap, Tire |
| 2 | 65139 | Stem, Valve |
| 3 | 106222X | Tire, Front |
| 4 | 59904 | Tube, Front Tire (Not Provided, Service Item Only) |
| 5 | 106732X427 | Rim, Front |
| 6 | 278H | Fitting, Grease (Front Wheel Only) |
| 7 | 9040H | Bearing, Flange (Front Wheel Only) |
| 8 | 106108X427 | Rim, Rear |
| 9 | 122082X | Tire, Rear |
| 10 | 7152J | Tube, Rear Tire (Not Provided, Service Item Only) |
| 11 | 104757X | Cap, Axle |
| -- | 144334 | Sealant, Tire (10 oz. Tube) |

NOTE: All component dimensions given in U. S. inches
1 inch = 25.4 mm

REPAIR PARTS

TRACTOR - - MODEL NUMBER 917.252770

MOWER LIFT



REPAIR PARTS

TRACTOR - - MODEL NUMBER 917.252770

MOWER LIFT

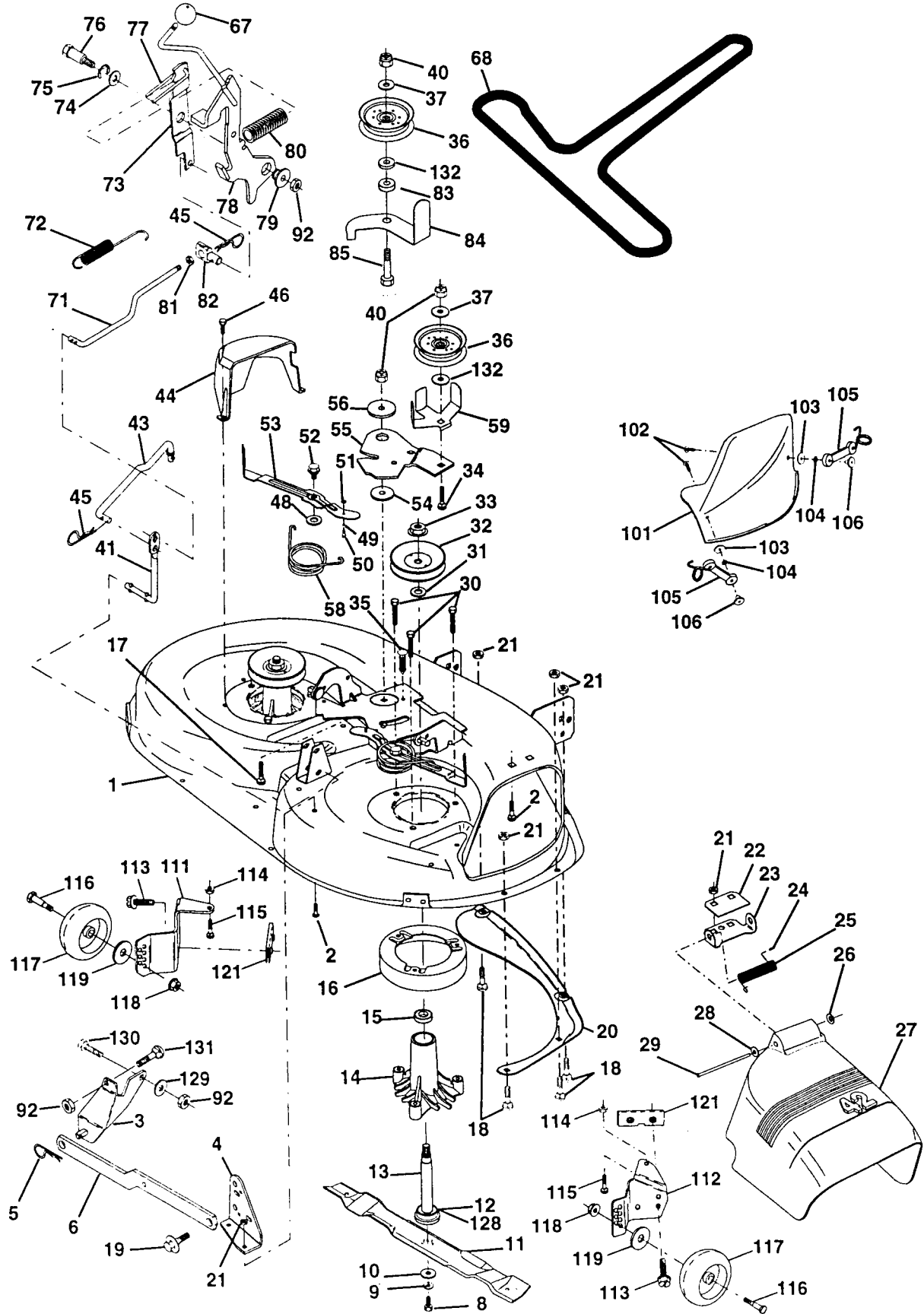
| KEY NO. | PART NO. | DESCRIPTION |
|---------|-----------|---------------------------------|
| 1 | 136973 | Wire Assy., Inner, with Plunger |
| 2 | 145117 | Shaft Asm. Lift |
| 3 | 105767X | Pin Groove |
| 4 | 12000002 | E Ring #5133-62 |
| 5 | 19211621 | Washer 21/32 x 1 x 21 Ga. |
| 6 | 120183X | Bearing Nylon |
| 7 | 125631X | Grip Handle Fluted |
| 8 | 122365X | Button Plunger Read |
| 10 | 122512X | Spring Cprsn |
| 11 | 139865 | Link Lift Lh Fixed Length |
| 12 | 139866 | Link Lift Rh Fixed Length |
| 13 | STD624008 | Retainer Spring |
| 15 | 127218 | Link Front |
| 16 | 73350800 | Nut Jam Hex 1/2-13 Unc |
| 17 | 130171 | Trunnion Blk Zinc |
| 18 | 73800800 | Nut Lock W/Wsh 1/2-13 Unc |
| 19 | 139868 | Arm Suspension Rear |
| 20 | STD624008 | Retainer Spring |
| 23 | 110807X | Nut Spring |
| 24 | 19131016 | Washer 13/32 x 5/8 x 16 Ga. |
| 25 | 2876H | Spring 2-1/8" |
| 26 | STD560907 | Pin cotter 3/32 x 1/2 |
| 27 | 126971X | Rod Adj. Lift |
| 28 | 73350600 | Nut Hex Jam 3/8-16 |
| 29 | 138057 | Knob Inf. 3/8-16 |
| 30 | 150233 | Trunnion Infin. Height |
| 31 | 140302 | Bearing, Pivot, Lift, Special |
| 32 | 73540600 | Nut, Crownlock 3/8-24 |
| 49 | 145212 | Nut Flange Lock |
| 50 | 110452X | Nut Push Phos & Oil |

NOTE: All component dimensions given in U.S. inches
1 inch = 25.4 mm

REPAIR PARTS

TRACTOR - - MODEL NUMBER 917.252770

MOWER DECK



REPAIR PARTS

TRACTOR - - MODEL NUMBER 917.252770

MOWER DECK

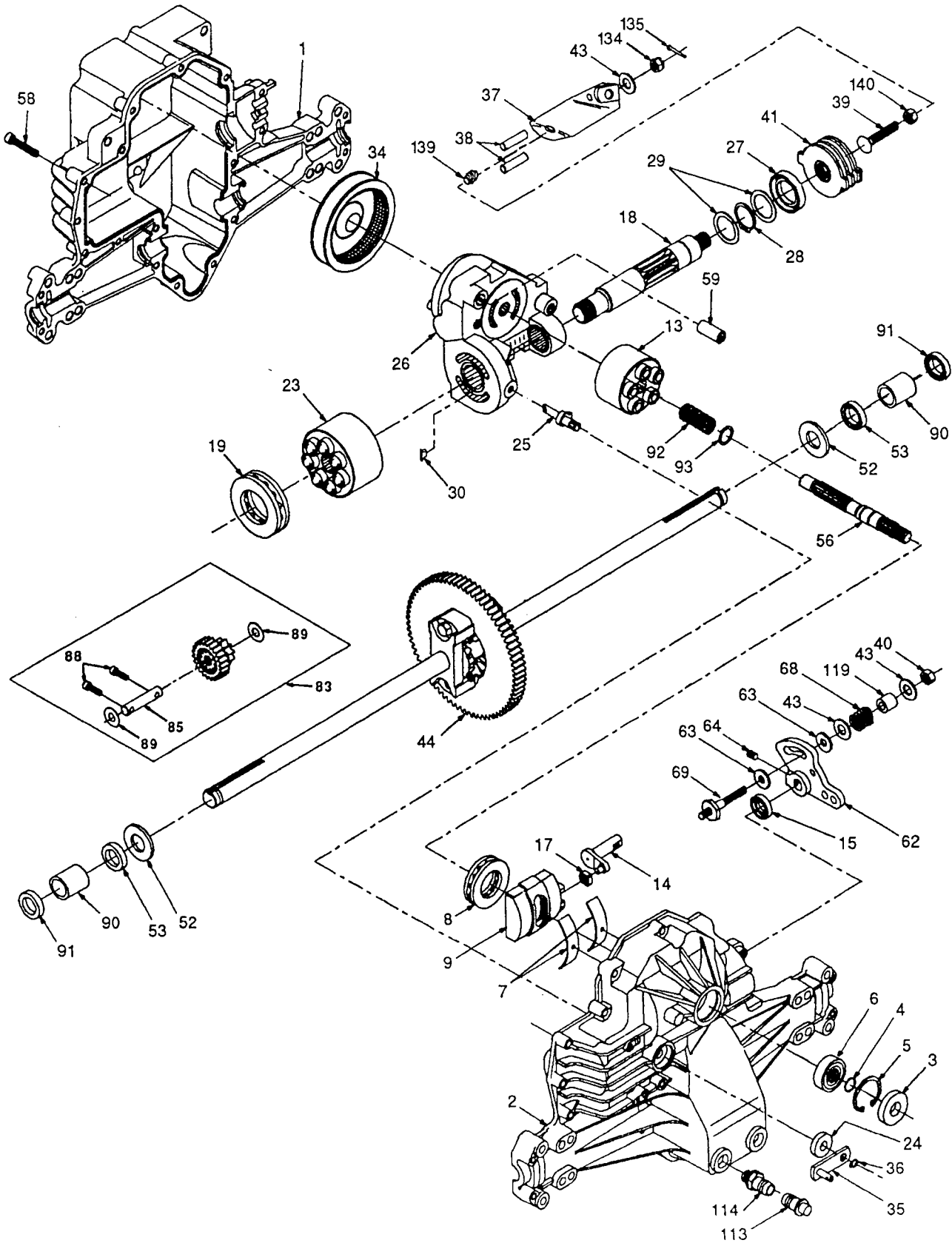
| KEY NO. | PART NO. | DESCRIPTION | KEY NO. | PART NO. | DESCRIPTION |
|---------|------------|--|---------|-----------|--|
| 1 | 144393 | Mower Deck Assembly, 42" | 58 | 140086 | Spring, Torsion, Brake |
| 2 | STD533107 | Bolt | 59 | 141043 | Guard, Idler |
| 3 | 138017 | Bracket Asm Fr. Sway Bar | 67 | 149846 | Knob Custom Dual |
| 4 | 138440 | Bracket Asm Deck 42" Sway Bar | 68 | 144200 | V-Belt, 42" Mower |
| 5 | STD624008 | Retainer Spring | 71 | 142427 | Rod, Clutch, Primary |
| 6 | 130832 | Arm, Suspension, Rear | 72 | 131870 | Spring, Extension, Return |
| 8 | 850857 | Bolt 3/8-24 x 1.25 Grade 8 | 73 | 127847 | Arm, Clutch, Secondary |
| 9 | STD551137 | Washer, Lock | 74 | 121748X | Washer 25/32 x 1-5/8 x 16 Gauge |
| 10 | 140296 | Washer, Hardened | 75 | 12000029 | Ring, Klip |
| 11 | 134149 | Blade, Mulching, 42" Mower Deck | 76 | 128903 | Bolt, Shoulder 3/8-16 UNC x 1.44 |
| 12 | 129895 | Bearing, Ball | 77 | 127845 | Keeper, Spring |
| 13 | 137645 | Shaft Assembly, Mandrel, Vented (Includes Key Number 12) | 78 | 154809 | Arm, Clutch, Primary |
| 14 | 128774 | Housing, Mandrel, Vented | 79 | 127498 | Bushing, Large, Brass |
| 15 | 110485X | Bearing, Ball, Mandrel | 80 | 153701 | Spring, Mower Clutch |
| 16 | 140329 | Stripper, Vented Mower Deck | 81 | STD541237 | Nut, Hex, Jam 3/8-16 |
| 17 | 72110610 | Bolt, Carriage 3/8-16 x 2-1/4 | 82 | 142028 | Trunnion |
| 18 | STD533106 | Bolt, Carriage 5/16-18 x 5/8 | 83 | 120958X | Washer Sintered |
| 19 | 132827 | Bolt, Shoulder | 84 | 156084 | Keeper, Belt Idler |
| 20 | 136888 | Baffle, Vortex | 85 | 72140618 | Bolt, RdHd Sqnk 3/8-16 x 2-1/4 Gr. 5 |
| 21 | STD541431 | Nut Crownlock 5/16-18 | 92 | STD541437 | Locknut, Hex W/Wash Insert |
| 22 | 134753 | Stiffener Bracket | 101 | 136420 | Mulcher cover |
| 23 | 131267 | Bracket, Deflector | 102 | 71161010 | Screw |
| 24 | 105304X | Cap, Sleeve | 103 | 19061216 | Washer #10 |
| 25 | 123713X | Spring, Torsion, Deflector | 104 | STD551110 | Washer, Lock |
| 26 | 110452X | Nut, Push | 105 | 130758 | Latch Assembly, Bagger |
| 27 | 130968 | Shield, Deflector | 106 | 2029J | Nut, Weld |
| 28 | 19111016 | Washer 11/32 x 5/8 x 16 Gauge | 111 | 155197 | Bracket, Gauge, Wheel L.H. |
| 29 | 131491 | Rod, Hinge | 112 | 155198 | Bracket, Gauge, Wheel R.H. |
| 30 | 138776 | Bolt 5/16-18 x 1.25 | 113 | 17490512 | Screw, Thdrol 5/16 -18 x 3/4 |
| 31 | 129963 | Washer, Spacer | 114 | STD541431 | Nut, Hex Keps 5/16-18 UNC |
| 32 | 153535 | Pulley, Mandrel | 115 | 72110504 | Bolt, Carriage 5/16 UNC x 1/2 |
| 33 | 137266 | Nut, Flanged, Toplock 9/16 | 116 | 137644 | Bolt, Shoulder |
| 34 | STD533717 | Bolt | 117 | 133957 | Wheel, Gauge |
| 35 | 133835 | Fastner, Christmas Tree | 118 | STD541437 | Nut, Centerlock 3/8-16 |
| 36 | 131494 | Pulley, Idler, Flat | 119 | STD551037 | Washer 3/8 x 7/8 x 14 Ga. |
| 37 | STD551037 | Washer 13/32 x 13/16 x 16 Gauge | 121 | 143723 | Bracket, Extruded Gauge Wheel |
| 40 | STD541437 | Nut, Crownlock | 128 | 153390 | Washer Felt |
| 41 | 133551 | Rod, Pivot, with Nibs | 129 | 19131312 | Washer 13/32 x 13/16 x 12 Ga |
| 43 | 140083 | Rod, Clutch, Secondary, with Nibs | 130 | STD523710 | Bolt Fin Hex 3/8-16 UNC x 1 Gr5 |
| 44 | 140088 | Guard, Mandrel, LH | 131 | STD533710 | Bolt Rdhd Sqnk 3/8-16 UNC x 1 |
| 45 | STD624003 | Retainer | 132 | 19132203 | Spacer Washer 13/32 I.D. x 1-3/8 O.D. x 1/4 |
| 46 | 137729 | Screw, Hex Hd, Thdcut 1/4-20 x 5/8 | -- | 130794 | Mandrel Assembly (Includes Key Numbers 8-10, 12-15, 31 and 33) |
| 48 | 133944 | Washer, Hardened | -- | 145411 | Mower Deck, Complete (Standard Deck; Order Mulcher Plate and Gauge Wheel Components Separately - Key Nos. 101-106, 111-119, 121) |
| 49 | 155066 | Roller Assembly, Cam Follower | | | |
| 50 | 131340 | Bolt, Shloulder #10-24 Grade 5 | | | |
| 51 | STD541410 | Locknut | | | |
| 52 | 139888 | Bolt, Shoulder 5/16-18 UNC | | | |
| 53 | 131845X900 | Arm Assembly, Pad, Brake | | | |
| 54 | 133943 | Washer, Hardened | | | |
| 55 | 155046 | Arm, Idler | | | |
| 56 | 122052X | Spacer, Retainer | | | |

NOTE: All component dimensions given in U.S. inches
1 inch = 25.4 mm

REPAIR PARTS

TRACTOR - - MODEL NUMBER 917.252770

HYDRO GEAR TRANSAXLE - MODEL NUMBER 310-0650



REPAIR PARTS

TRACTOR - - MODEL NUMBER 917.252770

HYDRO GEAR TRANSAXLE - MODEL NUMBER 310-0650

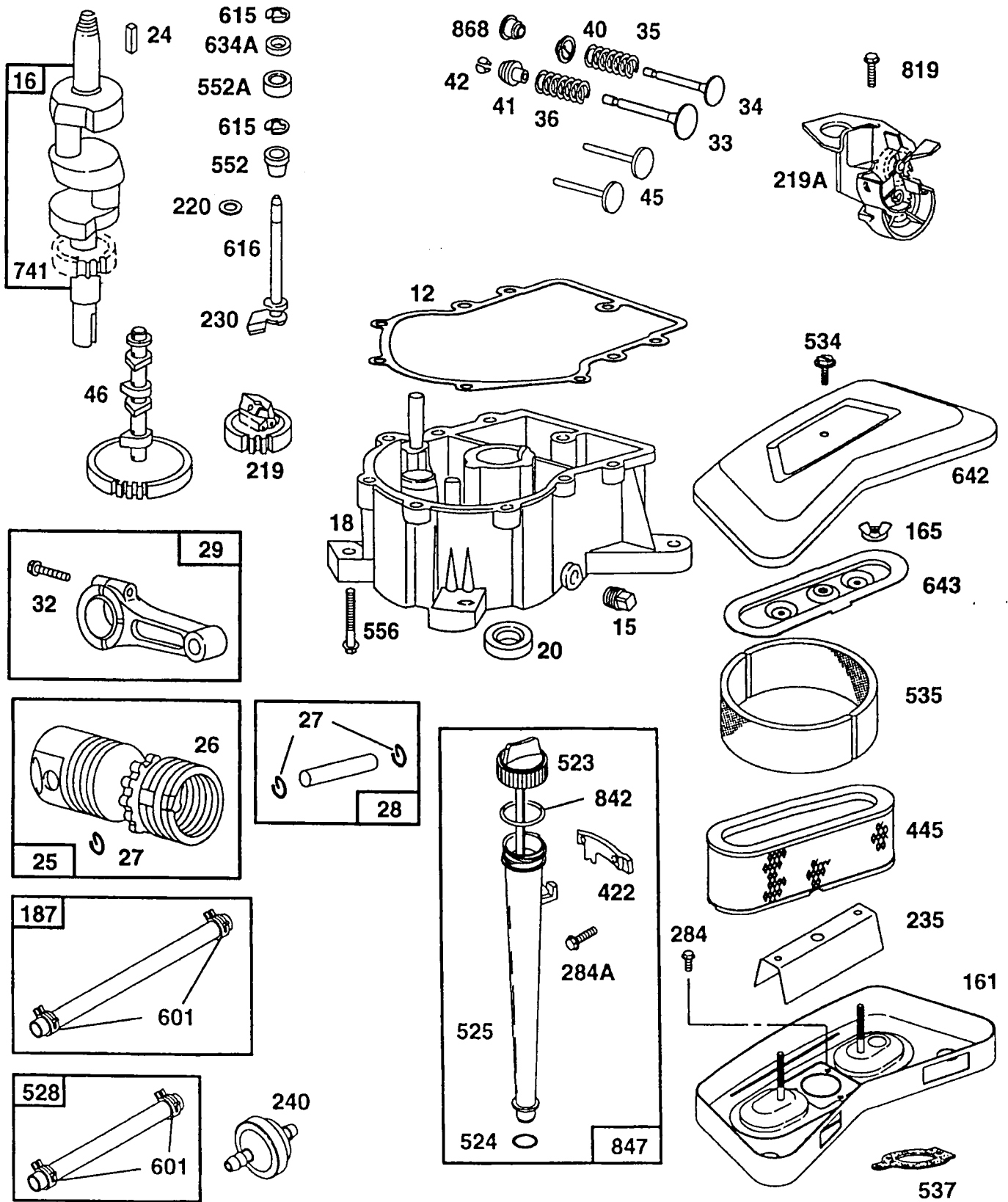
| KEY PART NO. NO. | DESCRIPTION | KEY PART NO. NO. | DESCRIPTION |
|------------------|------------------------------|------------------|---------------------------|
| 1 142930 | Housing, Lower | 43 142884 | Washer 7/16 x 7/8 x .060 |
| 2 142931 | Assembly, Upper Housing | 44 150829 | Differential Assembly |
| 3 142932 | Seal, Lip | 52 142991 | Washer 3/4 x 1.5 x .13 |
| 4 142928 | Ring, Wire Retaining | 53 142961 | Seal .75 x 1.25 x .250 |
| 5 142933 | Ring, Retaining | 56 142963 | Shaft, Input |
| 6 142934 | Bearing, Shaft Ball | 58 142964 | Bolt 1/4-20 x 1.38 |
| 7 142935 | Bearing, Cradle | 59 142965 | Pin .5 OD x .43 ID x .750 |
| 8 150771 | Bearing, Thrust 30 x 52 x 13 | 62 142966 | Arm, Control |
| 9 142937 | Swashplate, Variable | 63 142967 | Puck, Dampener |
| 13 142938 | Block, Cylinder Assembly | 64 142920 | Set Screw |
| 14 142939 | Arm, Trunnion | 68 142969 | Spring |
| 15 142940 | Seal, Lip | 69 144610 | Stud 5/16-24 |
| 17 142941 | Guide, Slot | 83 142971 | Jackshaft Assembly |
| 18 150772 | Shaft, Motor | 85 150806 | Jackshaft |
| 19 150773 | Bearing, Thrust 42 x 68 x 16 | 88 142973 | Screw, Cap |
| 23 142944 | Block, Cylinder Assembly | 89 142974 | Washer 7/16 x 1 x 1/2 |
| 24 142945 | Seal, Lip 10 x 25 x 7 | 90 142975 | Sleeve Bearing |
| 25 142946 | Actuator, Bypass | 91 142976 | Seal, Wiper |
| 26 150774 | Center Section Assembly Kit | 92 142977 | Spring, Block |
| 27 142948 | Seal, Lip 26 x 42 x 8 | 93 142978 | Washer, Block Thrust |
| 28 142949 | Ring, Retaining | 113 142917 | Cap, Vent Assembly |
| 29 142950 | Washer 26 x 35 x 1 | 114 142918 | Fitting, O-Ring Assembly |
| 34 142951 | Oil Filter Element | 119 142980 | Spacer |
| 35 142952 | Arm, Bypass | 134 144607 | Nut, Castle 5/16-24 |
| 36 142953 | Ring, Retaining | 135 144608 | Pin, Cotter |
| 37 142954 | Arm, Actuating | 139 150775 | Spring, Compression |
| 38 142955 | Pin, Actuating | 140 150776 | Nut, Hex 5/16-24 |
| 39 150777 | Bolt 5/16-24 x 1-3/4 | | |
| 40 150778 | Locknut, Hex 5/16-24 UNJC | | |
| 41 142958 | Brake Rotor/Stator Kit | | |

NOTE: All component dimensions given in U.S. inches
1 inch = 25.4 mm

REPAIR PARTS

TRACTOR - - MODEL NUMBER 917.252770

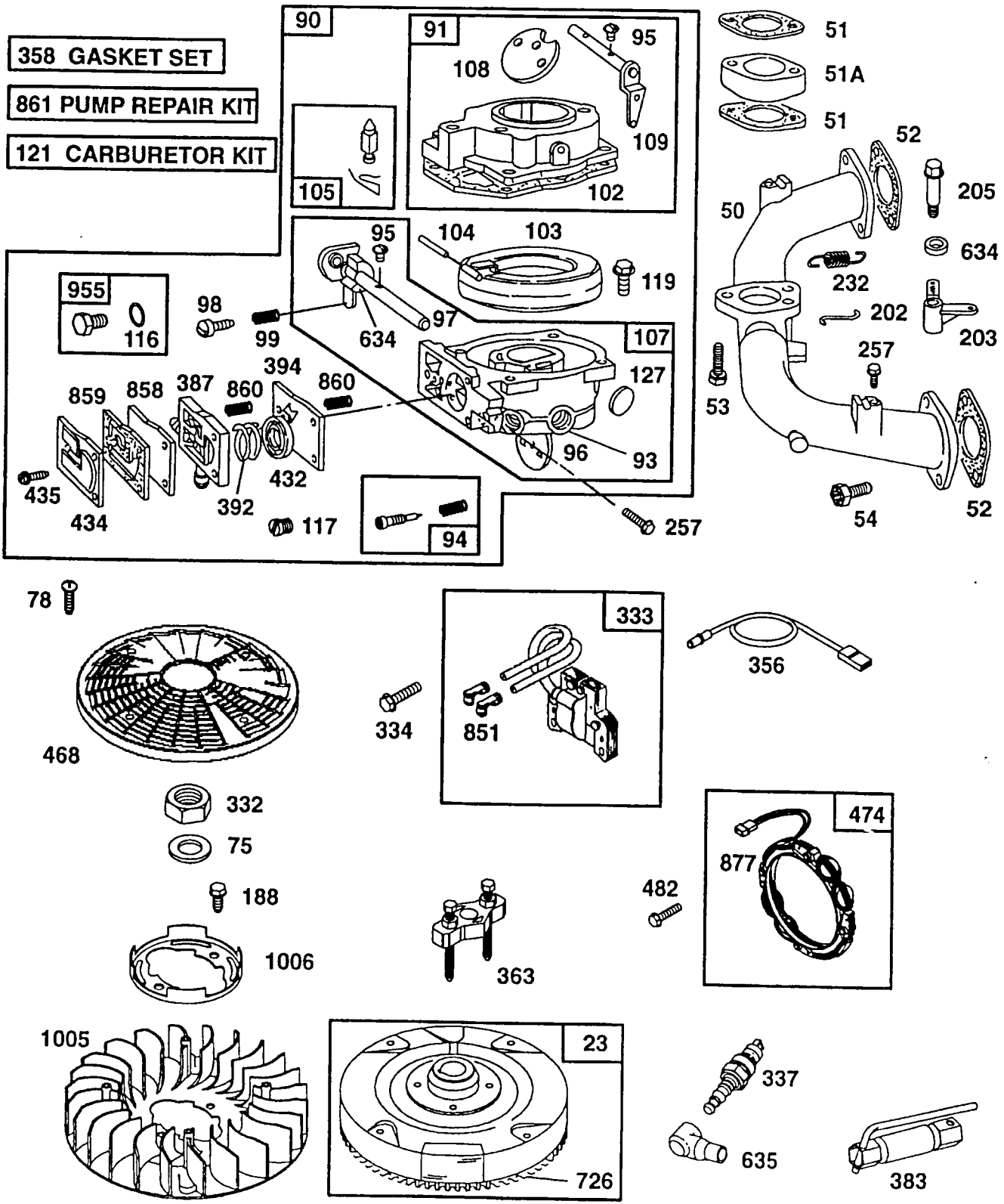
BRIGGS & STRATTON ENGINE - MODEL NUMBER 42A707, TYPE NUMBER 1624-01



REPAIR PARTS

TRACTOR -- MODEL NUMBER 917.252770

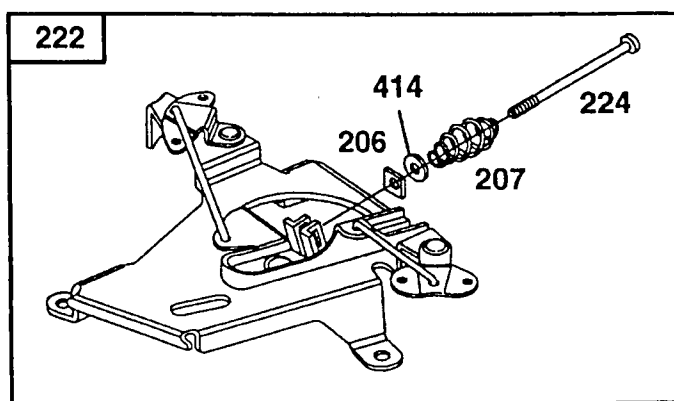
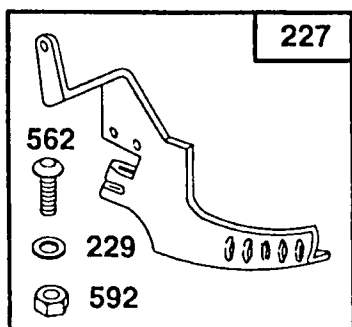
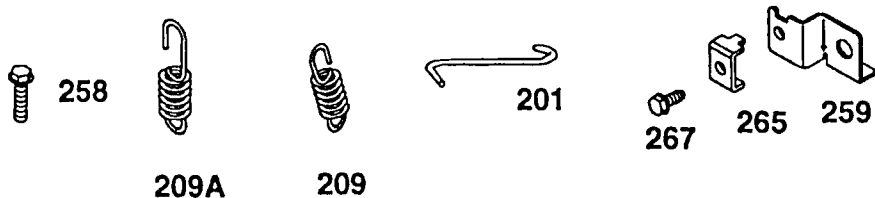
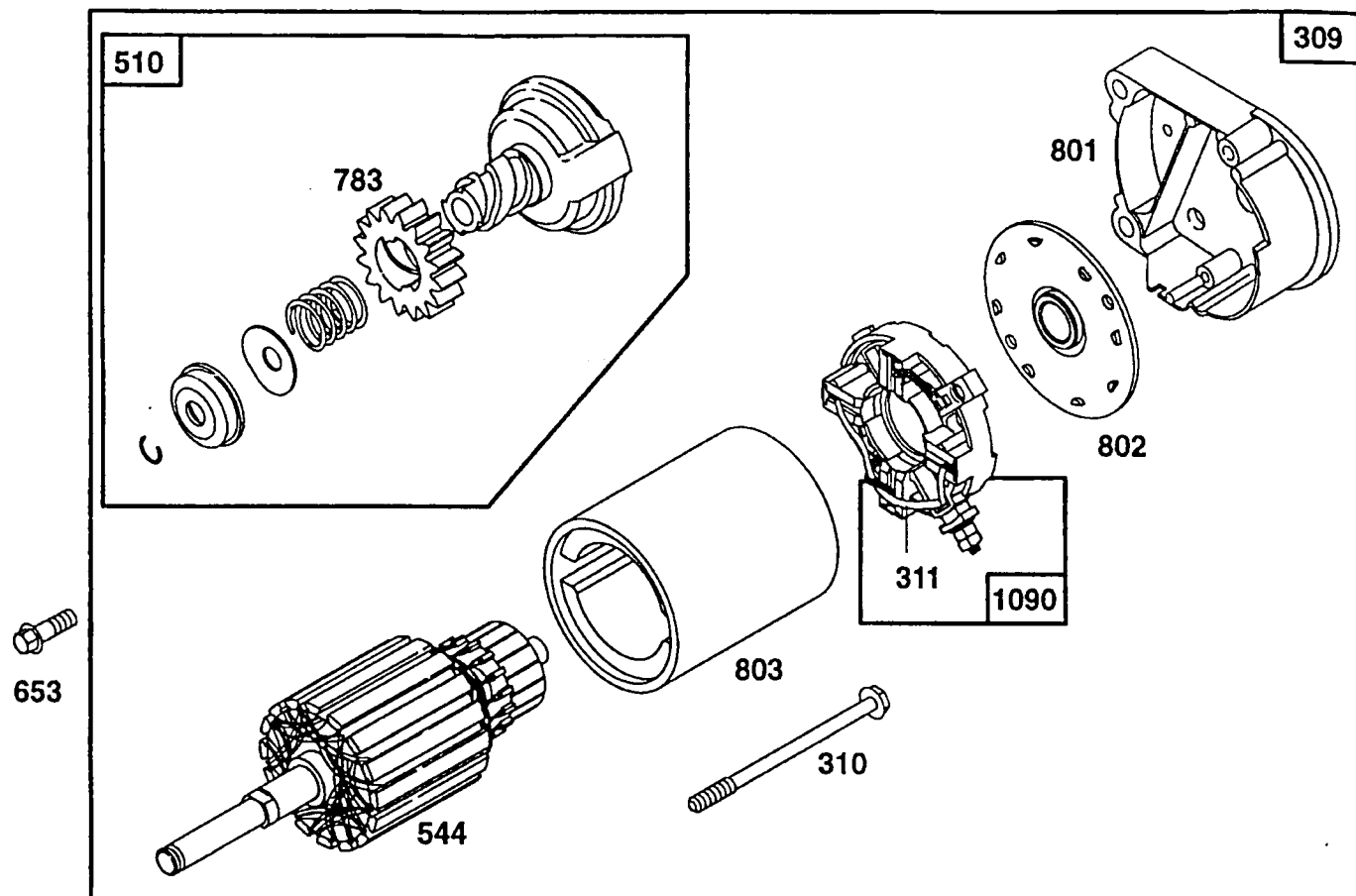
BRIGGS & STRATTON ENGINE - MODEL NUMBER 42A707, TYPE NUMBER 1624-01



REPAIR PARTS

TRACTOR - - MODEL NUMBER 917.252770

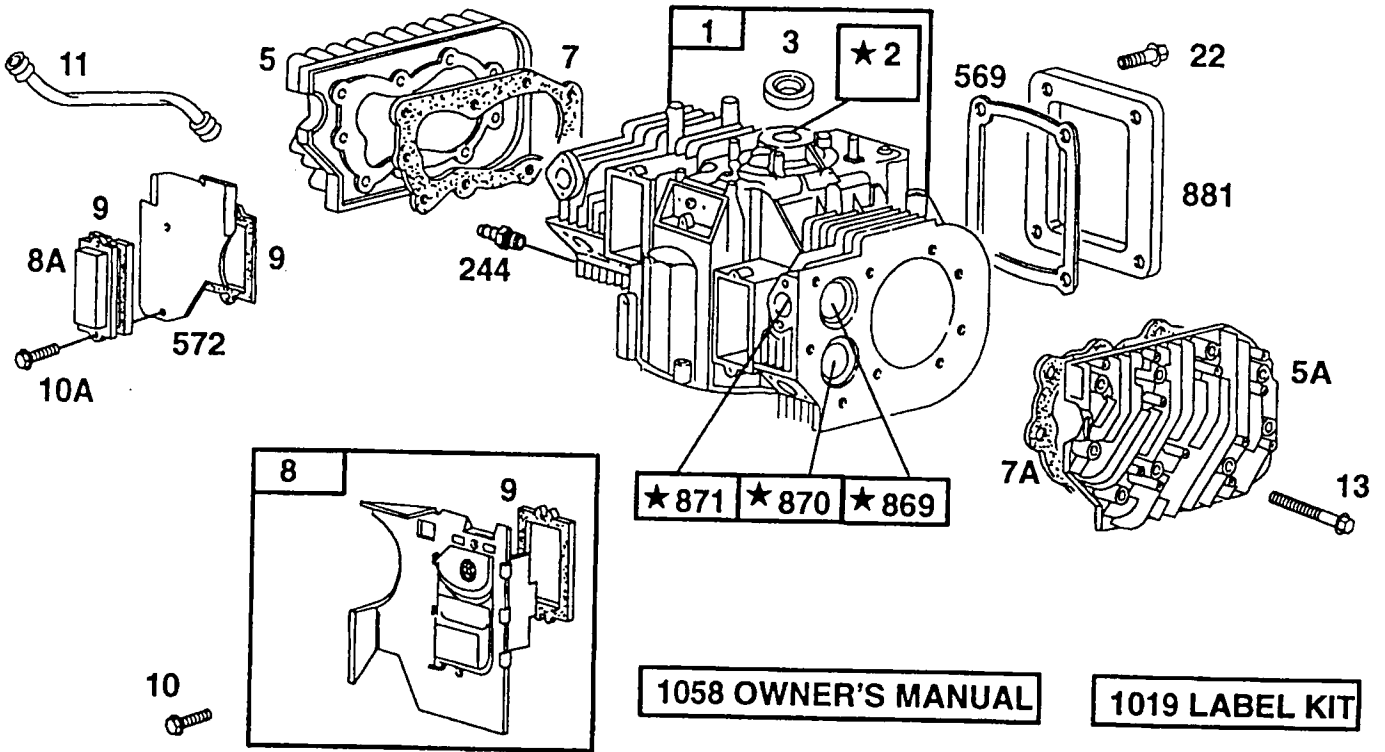
BRIGGS & STRATTON ENGINE - - MODEL NUMBER 42A707, TYPE NUMBER 1624-01



REPAIR PARTS

TRACTOR - - MODEL NUMBER 917.252770

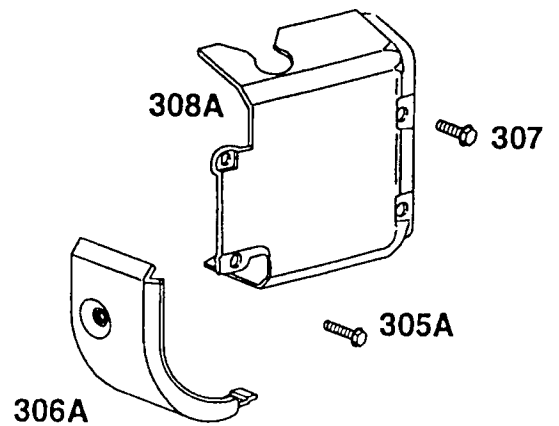
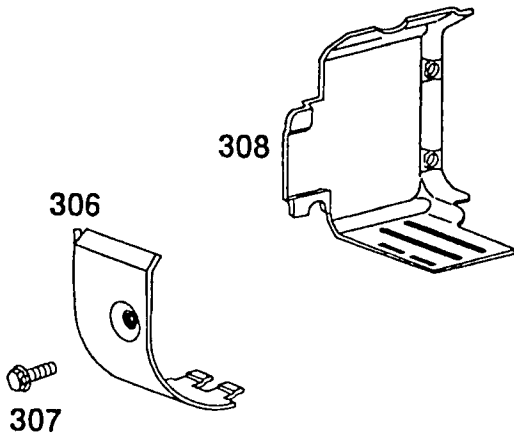
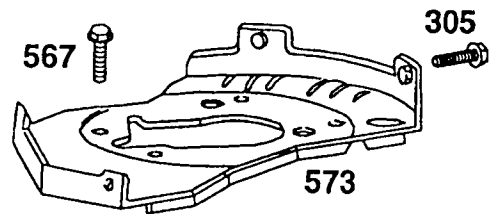
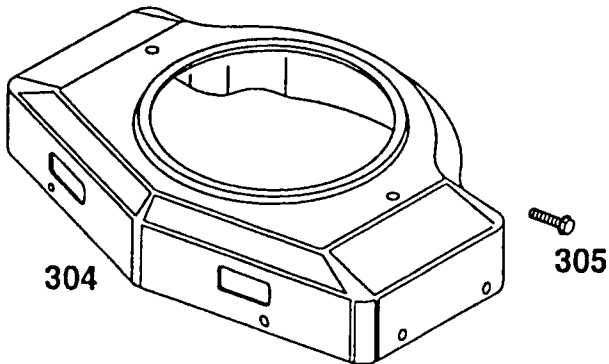
BRIGGS & STRATTON ENGINE - MODEL NUMBER 42A707, TYPE NUMBER 1624-01



1058 OWNER'S MANUAL

1019 LABEL KIT

★ REQUIRES SPECIAL TOOLS TO INSTALL. SEE REPAIR INSTRUCTION MANUAL.



REPAIR PARTS

TRACTOR - - MODEL NUMBER 917.252770

BRIGGS & STRATTON ENGINE - MODEL NUMBER 42A707, TYPE NUMBER 1624-01

| KEY PART NO. | NO. | DESCRIPTION | KEY PART NO. | NO. | DESCRIPTION |
|--------------|--------|---|--------------|--------|--|
| 1 | 497074 | Cylinder Assembly | 54 | 94764 | Screw, Sems |
| 2 | 399265 | Bushing | 75 | 222511 | Washer, Spring |
| 3 | 391086 | * Seal, Oil | 78 | 94834 | Screw, Sems |
| 5 | 493457 | Head, Cylinder #1 | 90 | 495181 | Carburetor |
| 5A | 493458 | Head, Cylinder #2 | 91 | 495035 | Body Assembly, Upper |
| 7 | 271867 | * Gasket, Cylinder Head #1 | 93 | 231209 | Bushing, Throttle Shaft |
| 7A | 271868 | * Gasket, Cylinder Head #2 | 94 | 491538 | ** Valve, Idle Adjust |
| 8 | 495754 | Breather Assembly #1 | 95 | 93499 | Screw, Sems |
| 8A | 222892 | Cover, Breather Cylinder #2 (Used Only on Key #572, Air Baffle with Holes for Mounting) | 96 | 221939 | Valve, Throttle |
| 9 | 27803 | * Gasket, Breather | 97 | 392672 | Shaft, Throttle |
| 10 | 94382 | Screw, Sems | 98 | 91920 | Screw, Fillister Head |
| 10A | 94830 | Screw, Sems | 99 | 26157 | Spring, Throttle Adjust |
| 11 | 280225 | Tube, Breather | 102 | 271607 | ** Gasket, Carburetor Body |
| 12 | 271703 | * Gasket, Crankcase, .015" Thick | 103 | 298514 | Float, Carburetor |
| | 271188 | * Gasket, Crankcase, .005" Thick | 104 | 230896 | ** Pin, Float Hinge |
| | 271189 | * Gasket, Crankcase, .009" Thick | 105 | 394683 | ** Valve, Needle |
| 13 | 94565 | Screw, Cylinder Head | 107 | 491543 | Body Assembly, Lower |
| 15 | 94239 | Plug, Oil Drain | 108 | 223534 | Valve, Choke |
| 16 | 394028 | Crankshaft | 109 | 392673 | Shaft, Choke |
| | 94196 | Timing Gear Key | 116 | 280474 | * O-Ring |
| 18 | 493304 | Sump, Engine | 117 | 231338 | Jet, Needle Valve, Fixed |
| 20 | 291675 | * Seal, Oil | | 231333 | Jet, Needle Valve, Fixed, High Altitude |
| 22 | 94724 | Screw, Sems | 119 | 94152 | Screw, Hex Head |
| 23 | 491180 | Flywheel | 121 | 491539 | Carburetor Kit |
| 24 | 222698 | Key, Flywheel | 127 | 223472 | ** Plug, Welch |
| 25 | 394955 | Piston Assembly, Standard Size | 161 | 496599 | Base, Air Cleaner |
| | 394956 | Piston Assembly, .010" Oversize | 165 | 94289 | Nut, Wing |
| | 394957 | Piston Assembly, .020" Oversize | 187 | 299146 | Line, Fuel, 28" Long (Cut to Suit) |
| | 394958 | Piston Assembly, .030" Oversize | 188 | 94627 | Screw |
| 26 | 394959 | Ring Set, Standard Size | 201 | 262683 | Link |
| | 394960 | Ring Set, .010" Oversize | 202 | 262684 | Link |
| | 394961 | Ring Set, .020" Oversize | 203 | 280997 | Crank, Bell |
| | 394962 | Ring Set, .030" Oversize | 205 | 93971 | Screw, Hex Head |
| 27 | 260924 | Lock, Piston Pin | 206 | 94298 | Nut, Square |
| 28 | 299691 | Pin, Piston, Standard Size | 207 | 262337 | Spring, Control Rod |
| | 391286 | Pin, Piston, .005" Oversize | 209 | 262352 | Spring, Governor |
| 29 | 394306 | Rod, Connecting, Standard Size | 209A | 261563 | Spring, Governor Idle |
| | 397158 | Rod, Connecting, .020" Undersize | 219 | 394348 | Gear, Governor |
| 32 | 94671 | Screw, Connecting Rod | 219A | 393415 | Oil Slinger |
| 33 | 390420 | Valve, Exhaust | 222 | 491282 | Bracket, Control |
| 34 | 261528 | Valve, Intake | 224 | 94297 | Screw, Pan Head |
| 35 | 65906 | Spring, Valve, Intake | 227 | 491297 | Lever Assembly, Governor |
| 36 | 26828 | Spring, Valve, Exhaust | | | |
| 40 | 221596 | Retainer, Valve, Intake | | | |
| 41 | 292260 | Retainer, Valve, Exhaust | | | |
| 42 | 494553 | Keeper, Valve | | | |
| 45 | 261368 | Tappet, Valve | | | |
| 46 | 213520 | Gear, Cam | | | |
| 50 | 213290 | Manifold, Intake | | | |
| 51 | 271412 | **** Gasket, Carburetor Mounting | | | |
| 51A | 281411 | Spacer, Carburetor | | | |
| 52 | 270884 | * Gasket, Intake Manifold Mounting | | | |
| 53 | 93970 | Screw, Hex Head, Carburetor to Manifold | | | |

NOTE: All component dimensions given in U.S. inches
1 inch = 25.4 mm

REPAIR PARTS

TRACTOR - - MODEL NUMBER 917.252770

BRIGGS & STRATTON ENGINE - MODEL NUMBER 42A707, TYPE NUMBER 1624-01

| KEY PART NO. NO. | DESCRIPTION | KEY PART NO. NO. | DESCRIPTION |
|------------------|--|------------------|--|
| 230 223882 | Washer, Governor Crank, Inside | 569 272645 | * Gasket, Base |
| 235 224995 | Shield, Fuel Spray | 572 224816 | Baffle, Air, Cylinder #2 |
| 240 394358 | Filter, Fuel | 573 491304 | Plate, Back |
| 244 230318 | Connector, Fuel Line | 592 92278 | Nut, Hex. |
| 257 93897 | Screw, Sems | 601 93053 | Clamp, Hose |
| 258 94623 | Screw, Sems | 615 94296 | Retainer, E-Ring |
| 259 223890 | Bracket, Cable | 616 491530 | Crank, Governor |
| 265 221535 | Clamp, Casing | 634 271013 | ** Washer, Throttle Shaft |
| 267 94906 | Screw, Sems | 634A 491287 | * Seal, Governor Shaft |
| 284 94674 | Screw, Hex Head | 635 66538 | Boot, Spark Plug |
| 284A 94694 | Screw, Hex Head | 642 225008 | Cover, Air Cleaner |
| 304 495587 | Housing, Blower, Red | 643 496700 | Plate, Air Cleaner |
| 305 94786 | Screw, Sems | 653 93585 | Screw, Hex Head |
| 305A 93343 | Screw, Sems | 726 391362 | Gear, Ring (Includes Mounting Parts) |
| 306 222846 | Shield, Cylinder | 741 262989 | Gear, Timing |
| 306A 223734 | Shield, Cylinder | 783 280104 | Gear, Starter |
| 307 94386 | Screw, Self-Tapping | 801 394860 | Cap, Drive |
| 308 224774 | Cover, Air Guide | 802 497607 | Cap, End |
| 308A 224775 | Cover, Air Guide | 803 497604 | Housing, Starter |
| 309 497596 | Motor, Starter | 819 94675 | Screw, Hex Head |
| 310 94003 | Bolt, Thru | 842 270920 | * Seal, Cap |
| 311 497608 | Brush Set | 847 495715 | Tube Assembly, Oil |
| 332 230674 | Nut, Hex | 851 221798 | Terminal, Cable |
| 333 394891 | Armature, Magneto | 858 270989 | *** Diaphragm, Carburetor |
| 334 93381 | Screw, Sems | 859 271025 | *** Gasket, Pump |
| 337 802592 | Plug, Spark | 860 261358 | *** Spring, Diaphragm |
| 356 494705 | Wire, Stop | 861 393397 | Repair Kit, Pump |
| 358 491856 | Gasket Set | 868 497212 | Seal, Valve |
| 363 19203 | Flywheel Puller | 869 261463 | Seat, Valve, Intake |
| 383 89838 | Wrench, Spark Plug | 870 213316 | Seat, Valve, Exhaust |
| 387 280197 | Body, Pump | 871 261961 | Bushing, Guide (Exhaust Only) |
| 392 261395 | *** Spring, Diaphragm | 231218 | Bushing, Guide (Intake, Brass) |
| 394 270988 | *** Diaphragm, Carburetor | 877 393456 | Wire, Alternator |
| 414 220680 | Washer | 881 495901 | Plate, Cover |
| 422 222875 | Bracket, Oil Fill | 955 397882 | Plug and Seal, Solenoid |
| 432 221377 | *** Cap, Spring | 1005 281053 | Fan, Flywheel |
| 434 223688 | Cover, Diaphragm | 1006 224413 | Retainer, Fan |
| 435 93829 | Screw, Diaphragm Cover | 1019 496726 | Label Kit |
| 445 394019 | Filter, Air | 1058 272112 | Owner's Manual |
| 468 497908 | Screen, Rotating | 1090 497605 | Retainer, Brush |
| 474 393474 | Alternator, Dual Circuit | | |
| 482 93621 | Screw, Sems | | |
| 510 497606 | Drive, Starter | | |
| 523 494947 | Cap, Oil Fill | | |
| 524 271157 | * Seal, Fill Tube | | |
| 525 495348 | Tube, Oil Fill (Includes Seals) | | |
| 528 393815 | Pipe, Fuel | | |
| 534 94823 | Screw, Air Cleaner | | |
| 535 272490 | Filter, Air | | |
| 537 271411 | **** Gasket, Air Cleaner | | |
| 544 497603 | Armature, Starter | | |
| 552 262332 | Lower Bushing, Governor | | |
| 552A 262331 | Upper Bushing, Governor | | |
| 556 93585 | Screw, Hex Head | | |
| 562 93853 | Bolt, Governor Lever | | |
| 567 94811 | Screw, Hex Head, Back Plate to Cylinder | | |
| | | | RPM Settings: Low Speed: 1600-1800 High Speed: 3200-3400 |
| | | * | Included in Gasket Set (495868) |
| | | ** | Included in Carburetor Kit (491539) |
| | | *** | Included in Carburetor Kit (491539), and Pump Repair Kit (393397) |
| | | **** | Included in Gasket Set (495868), and Carburetor Kit (491539) |

NOTE: All component dimensions given in U.S. inches
1 inch = 25.4 mm

SERVICE NOTES
