



REPAIR PARTS MANUAL

MODEL NO. 252780

15.5/42.4yd

Lawn Tractor

model 97

CRAFTSMAN®

HOW TO USE THIS MANUAL

This manual is designed to provide the customer with a means to identify the parts on his/her tractor when ordering repair parts. The illustrations may or may not represent the actual assemblies; therefore, it is not recommended to use this manual as a guide to assemble or disassemble the tractor. Some hardware and parts are drawn larger in order to more readily identify them.

Each tractor has its own model number.

The model number for your tractor can be found on the fender under the seat.

When ordering parts, always give the following information:

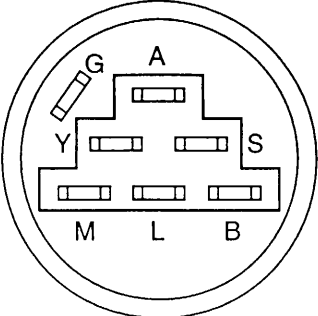
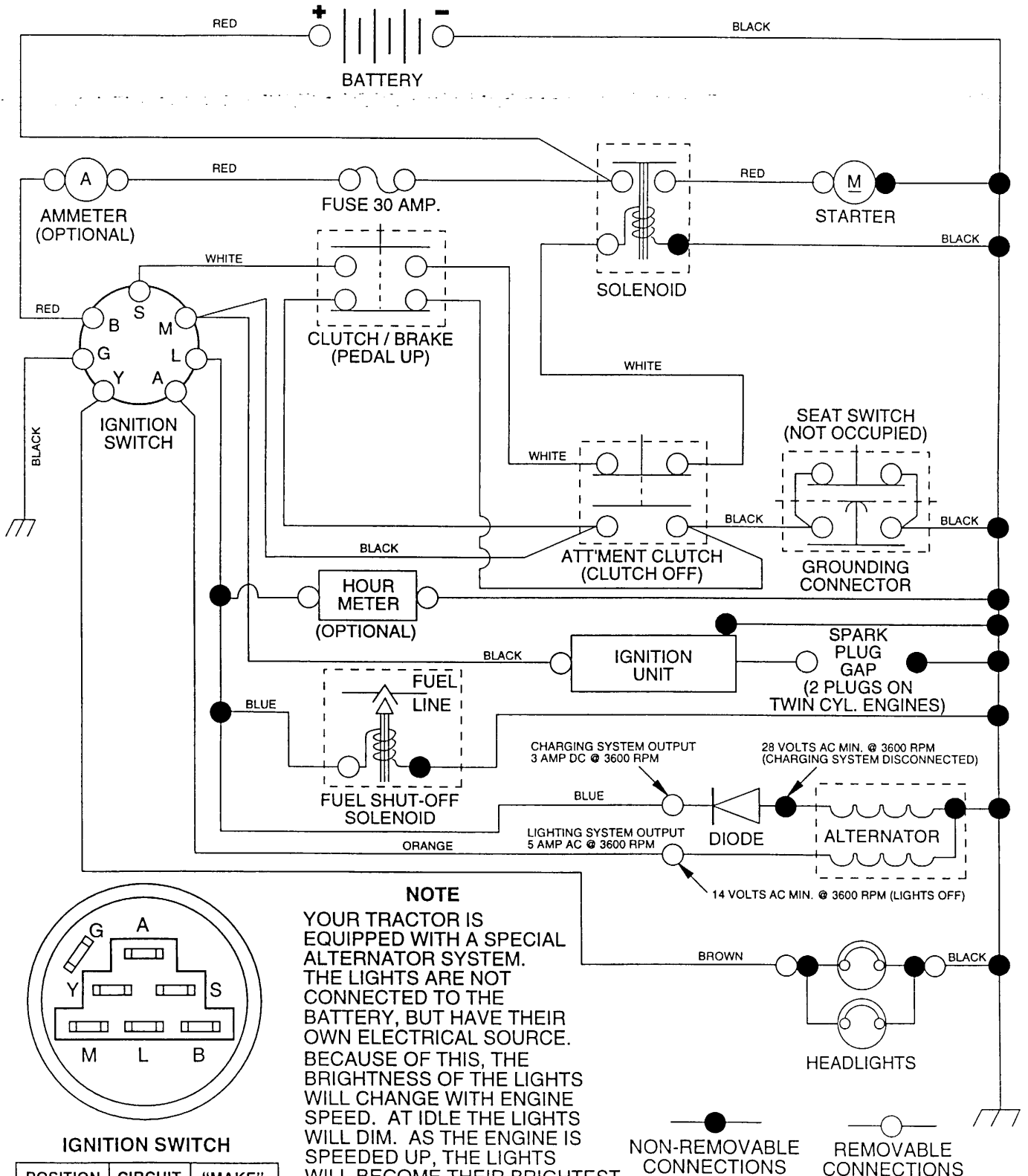
- Product - "Tractor"
- Model Number - "252780"
- Part Number
- Part Description

TABLE OF CONTENTS

SCHEMATIC	3
ELECTRICAL	4-5
CHASSIS	6-7
DRIVE	8-9
STEERING WHEEL	10-11
ENGINE	12-13
DECALS	14
SEAT	15
MOWER LIFT LEVER	16-17
MOWER DECK	18-19
TRANSAXLE	20-21

TRACTOR - MODEL NUMBER 917.252780

SCHEMATIC



IGNITION SWITCH

POSITION	CIRCUIT	"MAKE"
OFF	G + M + L	NONE
RUN/LIGHT	B + L	A + Y
RUN	B + L	NONE
START	B + L + S	NONE

NOTE
 YOUR TRACTOR IS EQUIPPED WITH A SPECIAL ALTERNATOR SYSTEM. THE LIGHTS ARE NOT CONNECTED TO THE BATTERY, BUT HAVE THEIR OWN ELECTRICAL SOURCE. BECAUSE OF THIS, THE BRIGHTNESS OF THE LIGHTS WILL CHANGE WITH ENGINE SPEED. AT IDLE THE LIGHTS WILL DIM. AS THE ENGINE IS SPEEDED UP, THE LIGHTS WILL BECOME THEIR BRIGHTEST.

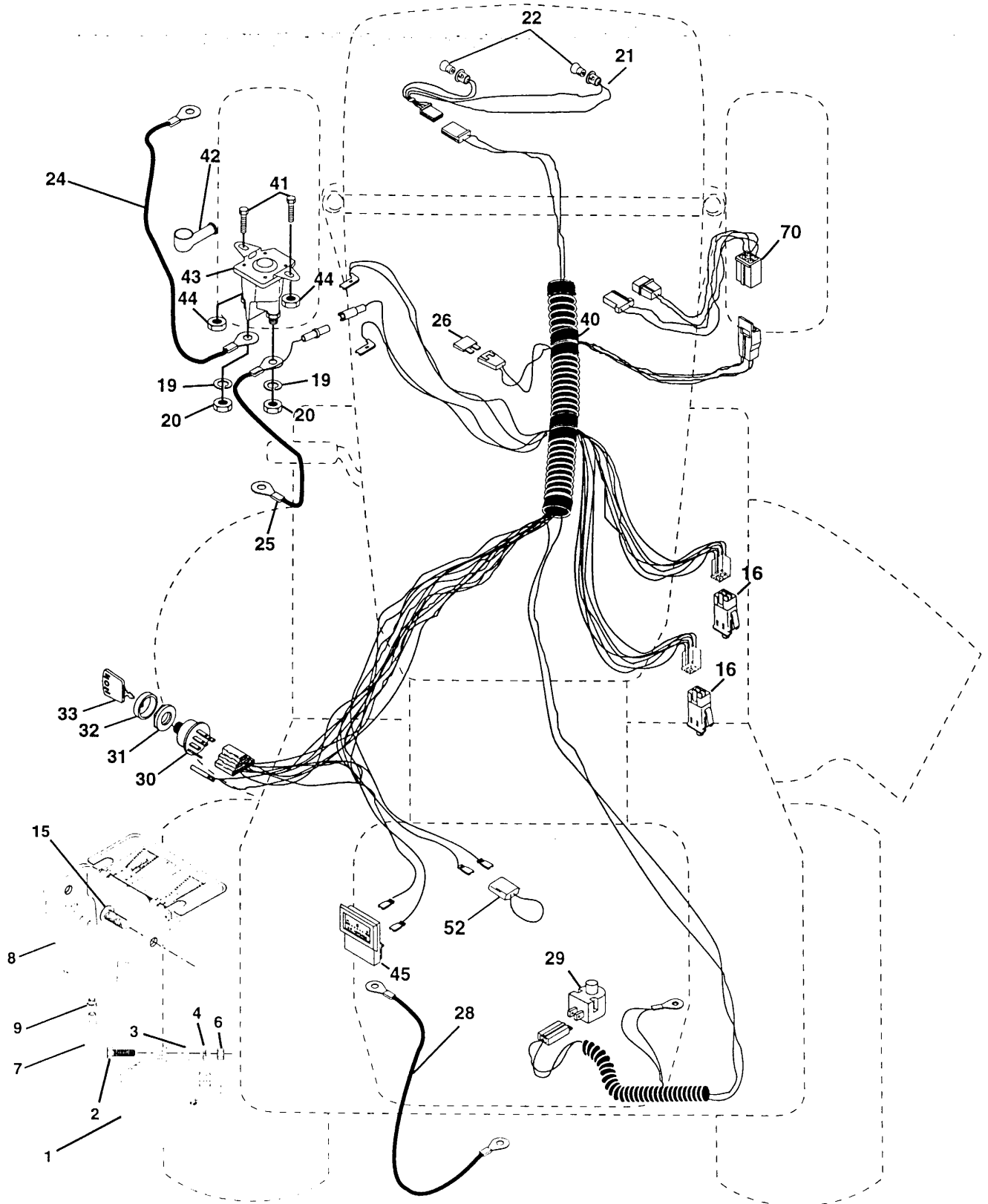
WIRING INSULATED CLIPS

NOTE: IF WIRING INSULATED CLIPS WERE REMOVED FOR SERVICING OF UNIT, THEY SHOULD BE REPLACED TO PROPERLY SECURE YOUR WIRING.

REPAIR PARTS

TRACTOR -- MODEL NUMBER 917.252780

ELECTRICAL



REPAIR PARTS

TRACTOR - - MODEL NUMBER 917.252780

ELECTRICAL

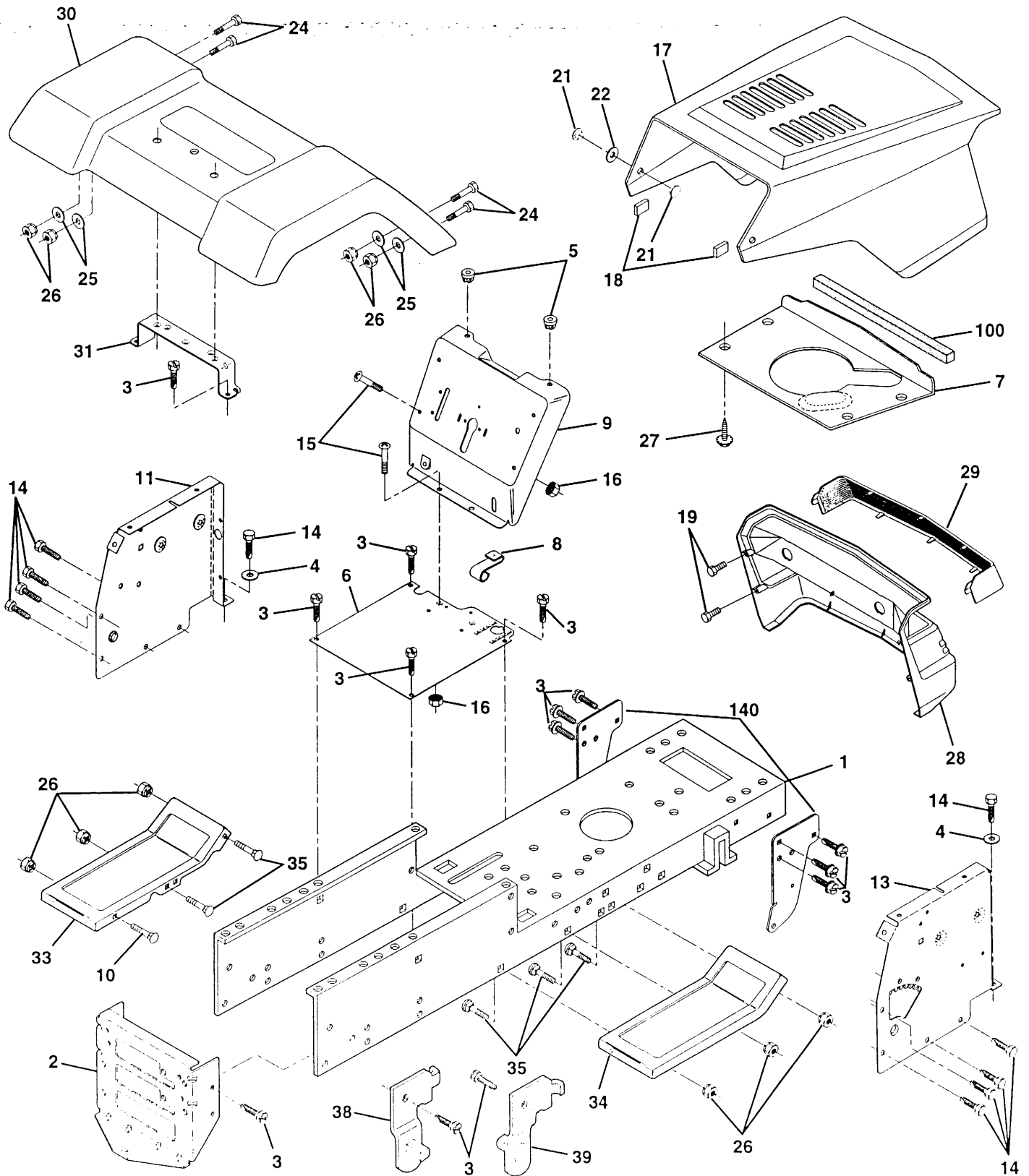
KEY NO.	PART NO.	DESCRIPTION
1	144925	Battery 12 VOLT 25 AMP
2	74760412	Bolt Hex Hd 1/4-20unc x 3/4
3	STD551025	Washer 9/32 x 5/8 x 16 Ga
4	STD551125	Washer Lock Hvy Helical 1/4
6	STD541025	Nut Fin Hex 1/4-20 Unc
7	109238X	Tube Plastic 12"
8	156417	Case Battery
9	109596X	Clamp Hose Olive
15	147688	Fastener Snap-In
16	153664	Switch, Interlock Push-In
19	STD551125	Washer Lock 1/4
20	73350400	Nut Jam Hex 1/4-20 Unc
21	136850	Harness Asm Light W/4152j
22	4152J	Bulb Light #1156
24	4799J	Cable Battery 6 Ga 11" red
25	146147	Cable Battery 6 Ga w/16 wire red
26	108824X	Fuse 30 AMP Auto Green
28	4207J	Cable Ground 6 Ga 12" black
29	121305X	Switch Plunger Nc Gray
30	140301	Switch Ign 4 Pos
31	124211X	Nut Ignition
32	141226	Cover Sw Key Blk 1 25 Text SLT
33	109310X	Key Ign Molded Craftsman
40	156442	Harness Ign Man Cl Am Hm 97
41	71110408	Bolt Blk. Fin Hex 1/4-20 Unc x 1/2
42	131563	Cover Terminal Red
43	145673	Solenoid
44	73640400	Nut Keps Blk Hex 1/4-20 Unc
45	121433X	Ammeter Rectangular 6 Amp
52	141940	Protection Wire Loop
70	140422	Harness Engine B&S 14 OHV

NOTE: All component dimensions give in U.S. inches
1 inch = 25.4 mm

REPAIR PARTS

TRACTOR - - MODEL NUMBER 917.252780

CHASSIS AND ENCLOSURES



REPAIR PARTS

TRACTOR - - MODEL NUMBER 917.252780

CHASSIS AND ENCLOSURES

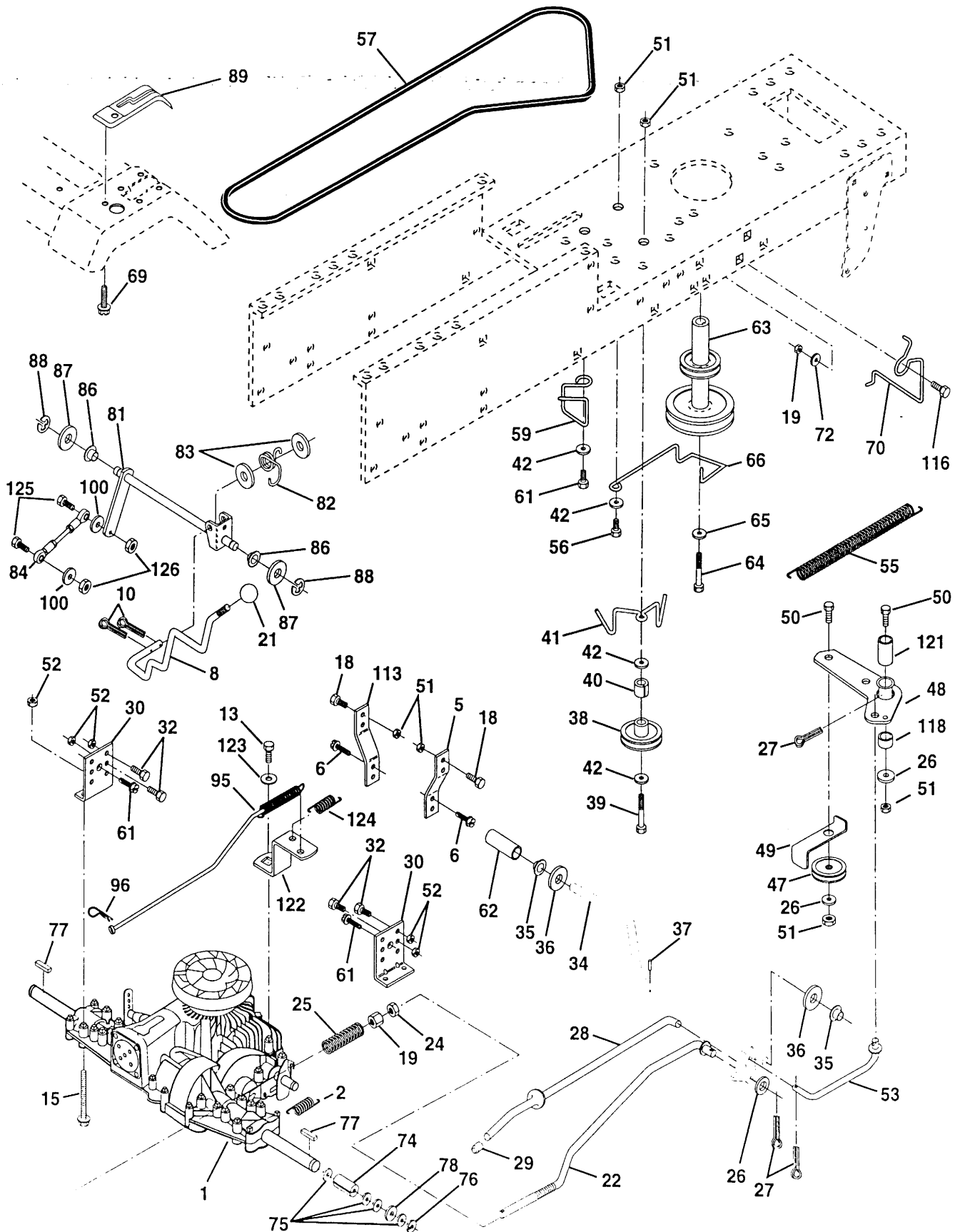
KEY NO.	PART NO.	DESCRIPTION
1	155051	Chassis Weldment
2	140356	Drawbar Stretch
3	17490612	Screw Thdrol 3/8-16 x 3/4 Ty-tt
4	STD551025	Washer 13/32 x 3/4 x 16 Ga.
5	155272	Bumper Hood/Dash
6	155923	Saddle LT Flat Fender Shift
7	126842X	Shield Ht Hood Kohl/Dia Engine
8	155138	Clip Retainer Slide On
9	156275X011	Dash Silkscreened 1-Pc M. W/Amm
10	STD533710	Bolt Carriage 3/8-16 x 1
11	155927	Panel Pnt Dash Lh
13	155934X010	Panel Silkscr Dash Rh Weldment
14	17490608	Screw Thdrol 3/8-16 x 1/2 Ty-tt
15	74180512	Screw Mach Trhd 5/16-18uncx3/4
16	STD541431	Nut Keps 5/16-18 Unc
17	154988X574	Hood Asm Pnt Weld MS-574
18	126938X	Bumper Hood
19	17521312	Screw Slted Hex Hd w/PI Washer
21	122933X	Rivet Ratchet Nylon
22	124479X	Washer Nylon Blk 28 x 75 x 19
24	STD523710	Bolt Fin Hex 3/8-16unc x 1
25	19131312	Washer 13/32 x 13/32 x 12 Ga
26	STD541437	Nut Lock 3/8-16 Unc
27	17030814	Screw Lock Spider #8 x 7/8
28	140137	Grille Black Ms-428
29	124029X	Lens Headlight Bar Clear
30	140001X574	Fender Pnt
31	136619	Bracket Pnt Fender
33	145244X574	Footrest Pnt Lh Lt/Yt/Gt 574
34	145243X574	Footrest Pnt Rh Lt/Yt/Gt 574
35	STD533707	Bolt Rdhd Sht Sqnk 3/8-16 X3/4
38	139886	Bracket, Asm. Pivot, L.H., Mower Rear
39	139887	Bracket, Asm. Pivot, R.H., Mower Rear
100	105037X	Strip Foam 18"
140	158418	Bracket, Front Suspension
--	5479J	Plug Button Blk 359 Dia

NOTE: All component dimensions given in U.S. inches
1 inch = 25.4 mm

REPAIR PARTS

TRACTOR - - MODEL NUMBER 917.252780

DRIVE



REPAIR PARTS

TRACTOR -- MODEL NUMBER 917.252780

DRIVE

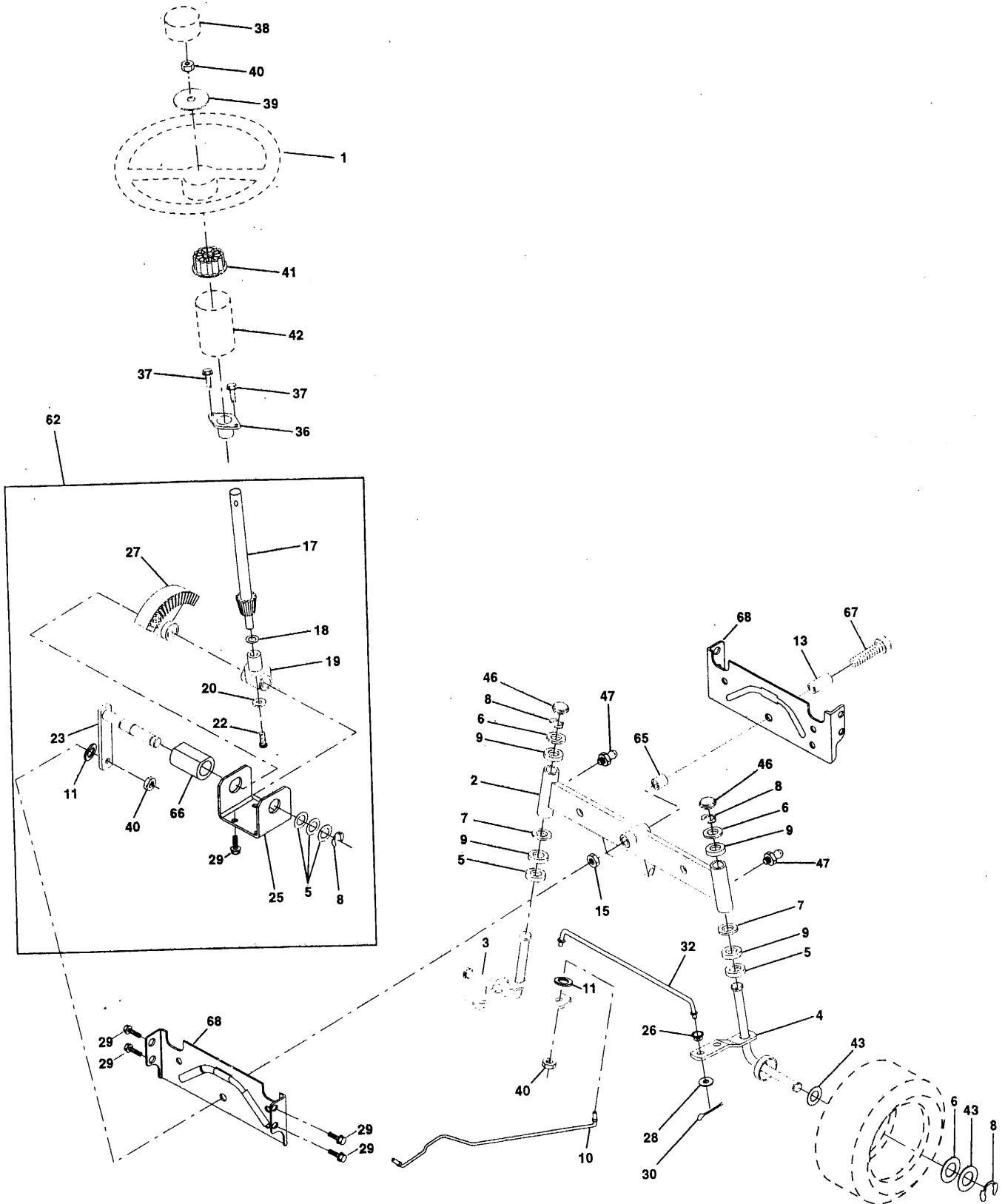
KEY NO.	PART NO.	DESCRIPTION	KEY NO.	PART NO.	DESCRIPTION
1	- - - - -	Transaxle (See Breakdown) Peerless Model 205-027B	56	74760620	Bolt Hex 3/8-16 x 1-1/4
2	146682	Spring, Return Brake	57	156971	V-Belt, Ground Drive
5	121520X	Strap Torque	59	140312	Keeper, Center Span
6	17490512	Screw Thdrol 5/16-18 x 3/4	61	17490612	Screw Thdrol. 3/8-16 x 3/4 Ty. TT
8	141003	Rod Shift Hydro LT	62	8883R	Cover, Pedal
10	76020416	Pin Cotter 1/8 x 1 CAD	63	140186	Pulley, Engine
13	74550412	Bolt 1/4-28 Unf Gr. 8 W/Patch	64	71170764	Bolt Hex 7/16-20 X 4 Gr. 5
15	74490544	Bolt Hex Flghd 5/16-18 Gr. 5	65	10040700	Washer
18	74780616	Bolt Fin Hex 3/8-16 Unc x 1 Gr. 5	66	154778	Keeper Belt Engine
19	73800600	Nut Lock Hex W/Wsh 3/8-16 Unc	69	142432	Screw, Hex Washer Hi-Lo 1/4-1/2
21	106933X	Knob, Round 1/2-13	70	134683	Keeper Belt Engine
22	130804	Rod, Brake	72	19132012	Washer 13/32 x 1-1/4 x 12 Gauge
24	73350600	Nut, Hex Jam 3/8-16 Unc	74	156972	Spacer, Axle PVST
25	106888X	Spring, Brake Rod	75	121749X	Washer 25/32 x 1-1/4 x 16 Gauge
26	19131316	Washer	76	12000001	E-Ring
27	76020412	Pin Cotter 1/8 x 3/4 CAD.	77	123583X	Key, Square
28	145204	Rod, Parking Brake	78	121748X	Washer 25/32 x 1-5/8 x 16 Gauge
29	124236X	Cap, Parking Brake	81	158461	Shaft Asm. Cross Hydro 18" Tires
30	130807	Bracket, Transaxle	82	123782X	Spring Torsion T/A
32	74760512	Bolt Hex Hd 5/16-18 Unc x 3/4	83	19171216	Washer 17/32 x 3/4 x 16 Ga.
34	155071	Shaft, Foot Pedal	84	158286	Rod, Tie PVST 18"
35	120183X	Bearing, Nylon	86	71208	Bushing Rod Strig. 629/632 ID
36	19211616	Washer	87	19212016	Washer 21/32 x 1-1/4 x 16 Ga.
37	1572H	Pin, Roll	88	12000008	Ring Klip #5304-62
38	123674X	Pulley, Idler, Flat	89	151147	Console, Shift
39	74760644	Bolt	95	156970	Rod Asm Bypass PVST
40	4470J	Spacer, Split	96	4497H	Retainer Spring 1" Zinc/Cad
41	154777	Keeper, Belt, Idler	100	19111216	Washer 11/32 x 3/4 x 16 Ga.
42	19131312	Washer 13/32 x 13/16 x 12 Gauge	113	127285X	Strap Torque LH LT
47	127783	Pulley, Idler, V-Groove	116	72110610	Bolt Rdhd Sq. Neck 3/8-16 x 1.25
48	154604	Bellcrank Assembly	118	154774	Spacer Bellcrank
49	123205X	Retainer, Belt	121	154419	Nyliner Clutching STL
50	74760624	Bolt	122	156963	Plate Bypass PVST
51	73680600	Nut Crownlock 3/8-16 UNC	123	19091016	Washer 9/32 x 5/8 x 16 Ga.
52	73680500	Nut, Crownlock 5/16-18 Unc	124	156967	Spring Return PVST
53	105710X	Link, Clutch	125	74780516	Bolt Fin Hex 5/16-18 Unc x 1
55	105709X	Spring, Return, Clutch	126	1685H	Nut Lock 5/16-18 Unc

NOTE: All component dimensions given in U.S. inches
1 inch = 25.4 mm

REPAIR PARTS

TRACTOR - - MODEL NUMBER 917.252800

STEERING ASSEMBLY



REPAIR PARTS

TRACTOR - - MODEL NUMBER 917.252780

STEERING ASSEMBLY

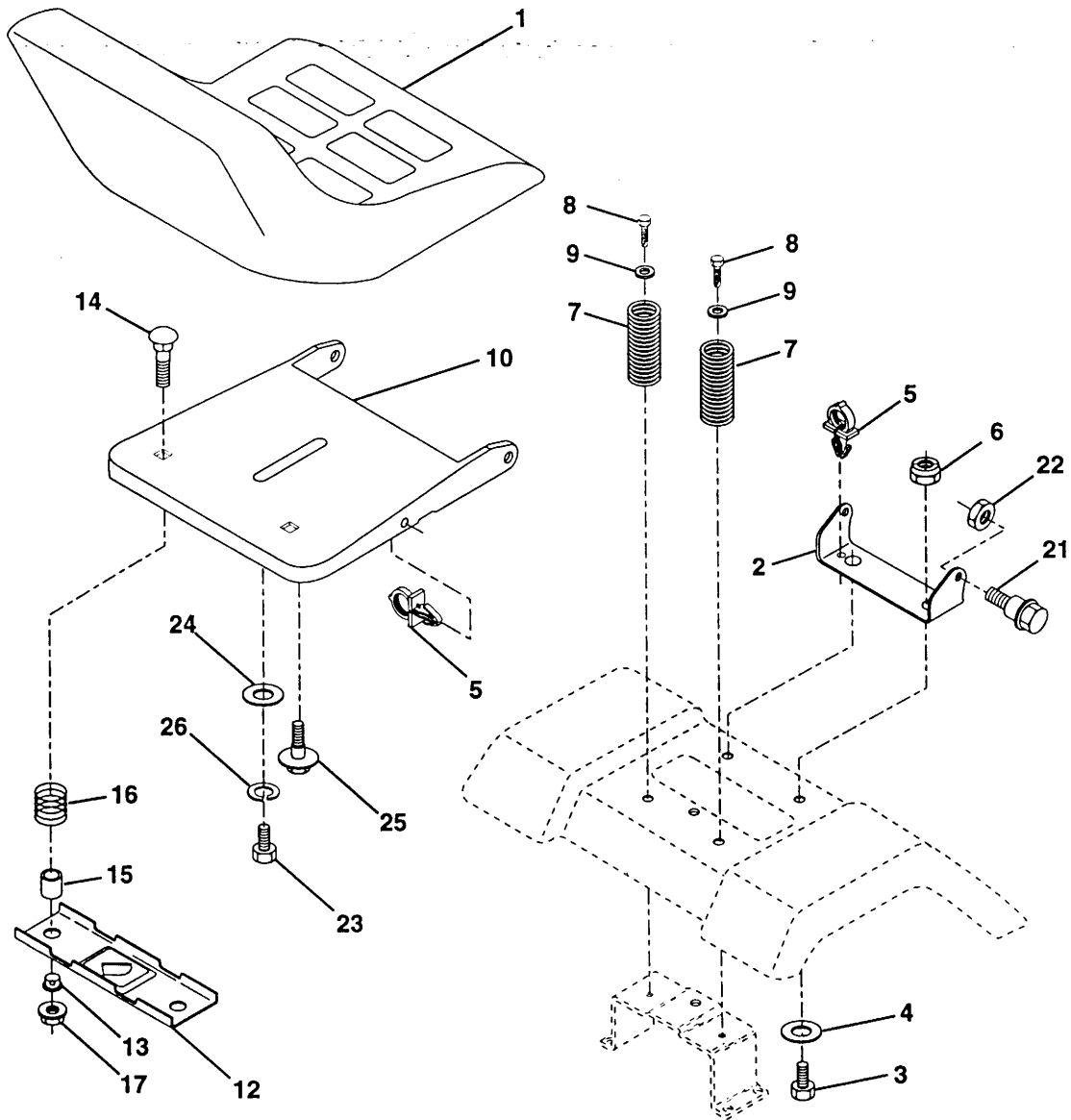
KEY NO.	PART NO.	DESCRIPTION
1	139768	Wheel Steering Std Black
2	154427	Axle Asm Stamped Drooped Stl
3	154422	Spindle Asm Lh
4	154423	Spindle Asm Rh
5	6266H	Bearing Race Thrust Harden
6	121748X	Washer 25/32 x 1 5/8 x 16 Ga
7	19272016	Washer 27/32 x 1 1/4 x 16 Ga
8	12000029	Ring Klip #t5304-75
9	3366R	Bearing Col Strg Blk
10	156438	Link Drag Extended Stamped
11	STD551137	Washer Lock Hvy Hlcl Spr 3/8
13	154779	Bearing Axle STLT/GT
15	73901000	Locknut Flange 5/8-11 Unc
17	156545	Shaft Asm Strg 5/8 x 15 19 Lt
18	57079	Washer Thrust 515 x 750 x 033
19	124035X	Support Shaft
20	126684X	Washer Shim 1/4 x 5/8 x 062
22	71200410	Screw Hex Socket 1/4-20 x 5/8
23	127501	Shaft Asm Pittman
25	154406	Bracket Steering
26	126847X	Bushing Rod Tie Blk Lt
27	136874	Gear Sector
28	19131416	Washer 13/32 x 7/8 x 16ga
29	17490612	Screw Thdrol 3/8-16x3/4 Ty-tt
30	STD561210	Pin Cotter 1/8 x 3/4 Cad
32	130465	Rod Tie Wire Form 19 75 Mech
36	155099	Bushing Strg 5/8 Id Dash
37	152927	Screw TT #10-32 5 3/8 Flange
38	139769	Insert Cap Strg Wheel Std Blk
39	19133808	Washer 13/32 x 2-3/8 x 8 Ga
40	STD541537	Nut Lock Center 3/8-24unf
41	104820X	Adaptor Wheel Strg 640/ 635id
42	124417X	Boot Shaft Steering
43	121749X	Washer 25/32 x 1 1/4 x 16 Ga
46	121232X	Cap Spindle Fr Top Blk
47	6855M	Fitting Grease
62	156593	Kit Steering Assembly
65	154780	Spacer Axle
66	154404	Bearing Arm Pittman
67	74781044	Bolt Fin Hex 5/8-11unc x 2-3/4
68	154429	Brace Axle

NOTE: All component dimensions given in U.S. inches
1 inch = 25.4 mm

REPAIR PARTS

TRACTOR - - MODEL NUMBER 917.252780

SEAT ASSEMBLY



KEY NO.	PART NO.	DESCRIPTION
1	140122	Seat 3350 Blk/blk Craftsman
2	140551	Bracket Pnt Pivot Seat (blk)
3	STD523710	Bolt Fin Hex 3/8-16unc X 1
4	19131610	Washer 13/32 X 3/4 X 10 Ga
5	145006	Clip Push In Hinged
6	STD541437	Nut Hex Lock w/Ins 3/8-16 Unc
7	124181X	Spring Seat Cprsn 2 250 Blk Zi
8	17490616	Screw Thdrol 3/8-16 X 1 Ty-tt
9	19131614	Washer 13/32 X 1 X 14 Ga
10	155925	Pan Pnt Seat (blk)
12	121246X	Bracket Pnt Mounting Switch
13	121248X	Bushing Snap Blk Nyl 50 Id

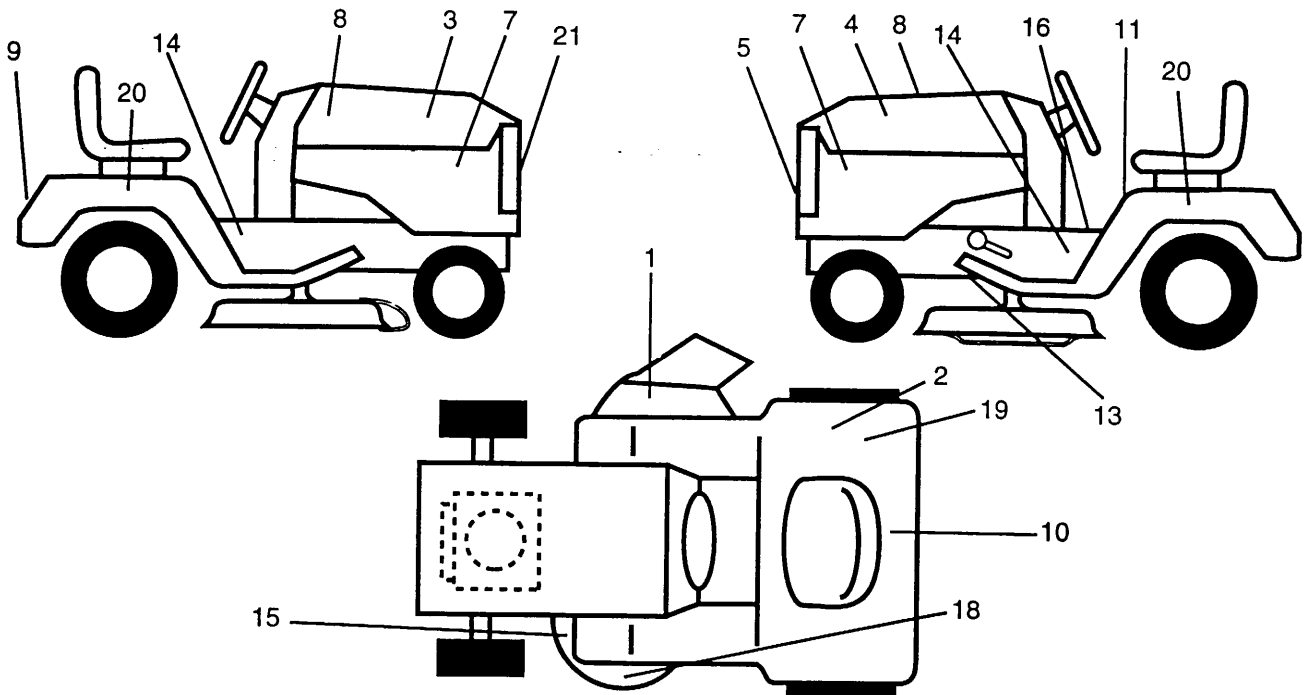
KEY NO.	PART NO.	DESCRIPTION
14	72050411	Bolt Rdhd Sht Nk 1/4-20x1-3/8
15	134300	Spacer Split 28 X 96 Zinc
16	121250X	Spring Cprsn 1 27 Blk Pnt
17	123976X	Nut Lock 1/4 Lge Flg Gr 5 Zinc
21	153236	Bolt Shoulder 5/16-18 Unc-2A
22	STD541431	Nut Hex Lock w/Ins 5/16-18
23	74780814	Bolt Fin Hex 1/2-13 X 7/8 Gr 5
24	19171912	Washer 17/32 X 1-3/16 X 12 Ga
25	127018X	Bolt Shoulder 5/16-18 X 62
26	STD551150	Washer Lock Hvy Hlcl Spr 1/2

NOTE: All component dimensions given in U.S. inches.
1 inch = 25.4 mm

REPAIR PARTS

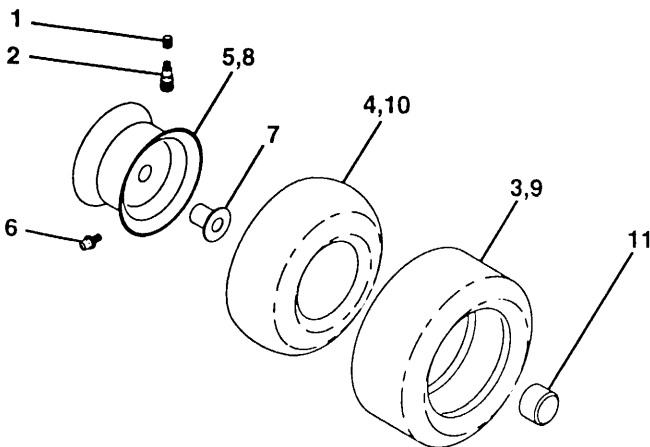
TRACTOR -- MODEL NUMBER 917.252780

DECALS



KEY NO.	PART NO.	DESCRIPTION	KEY NO.	PART NO.	DESCRIPTION
1	145494	Decal, Mower Cuttingfnger Symbol	18	156787	Decal, Mower EZ3 Mulching Sears
2	145437	Decal, Europe Stand Ce	19	125690X	Decal, 100 DBA
3	150676	Decal, Hood Slope Rh Craftsman	20	149917	Decal, Fend Auto Trans
4	150677	Decal, Hood Slope Lh Craftsman	21	131265	Decal, Lightbox
5	150680	Decal, Grille Craftsman Slp LT Dov	--	142341	Decal, Drawbar Cntrl Mvt
7	151799	Decal, Panel Side	--	138311	Decal, Lift Handle
8	150685	Decal, Insert Hood	--	145245	Pad, Footrest Rbr Sq Craftsman 95
9	128314	Decal, Fender Craftsman White	--	145247	Fastner Pop In Footrest
10	145005	Decal, Btry Dngr/Psn Eng	--	159112	Manual, Parts
11	145498	Decal, Read Owners Manual	--	159110	Manual, Operators (Euro)
13	146046	Decal, V-belt Dr Sch Tractor	--	159111	Manual, Operators (Scan)
14	151217	Decal, Chassis 42" Hydro			
15	136832	Decal, Mower Drive Schematic			
16	140837	Decal, Saddle Brake Parking			

WHEELS & TIRES



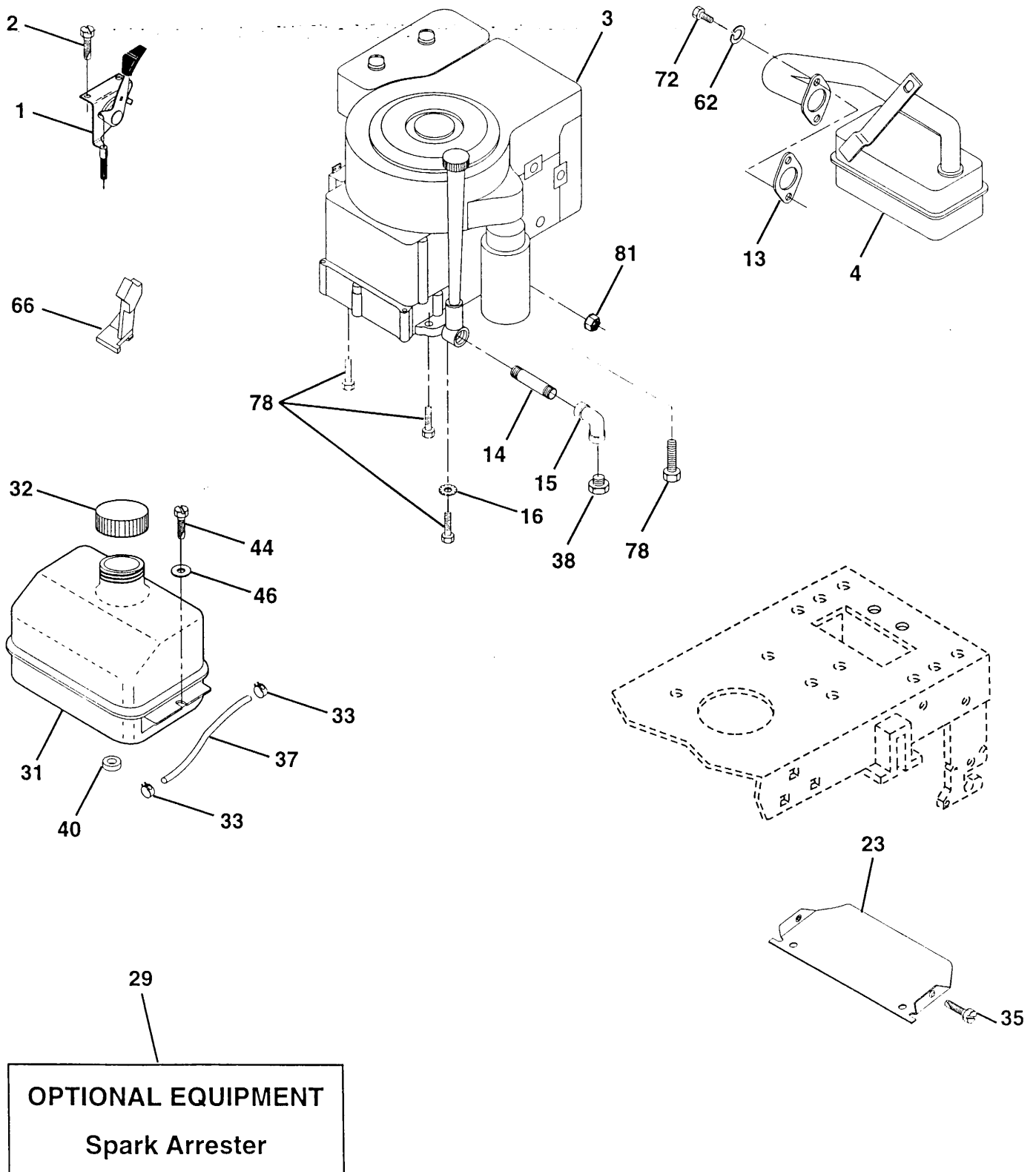
KEY NO.	PART NO.	DESCRIPTION
1	59192	Cap Value Tire
2	65139	Stem Value
3	106222X	Tire F Ts 15 X 6 0 - 6 Service
4	59904	Tube Inner Front #35060
5	106732X427	Rim Asm 6"front White Service
6	278H	Fitting Grease
7	9040H	Bearing Flange
8	106108X427	Rim Asm 8"rear White Service
9	106268X	Tire R Ts 18x9 5-8 Service
10	7152J	Tube Rear 9 5 X 8 Service
11	104757X	Cap Axle Blk 1 50 X 1 00
--	144334	Sealant, Tire (10 oz. tube)

NOTE: All component dimensions given in U.S. inches.
1 inch = 25.4 mm

REPAIR PARTS

TRACTOR - - MODEL NUMBER 917.252780

ENGINE



REPAIR PARTS

TRACTOR - - MODEL NUMBER 917.252780

ENGINE

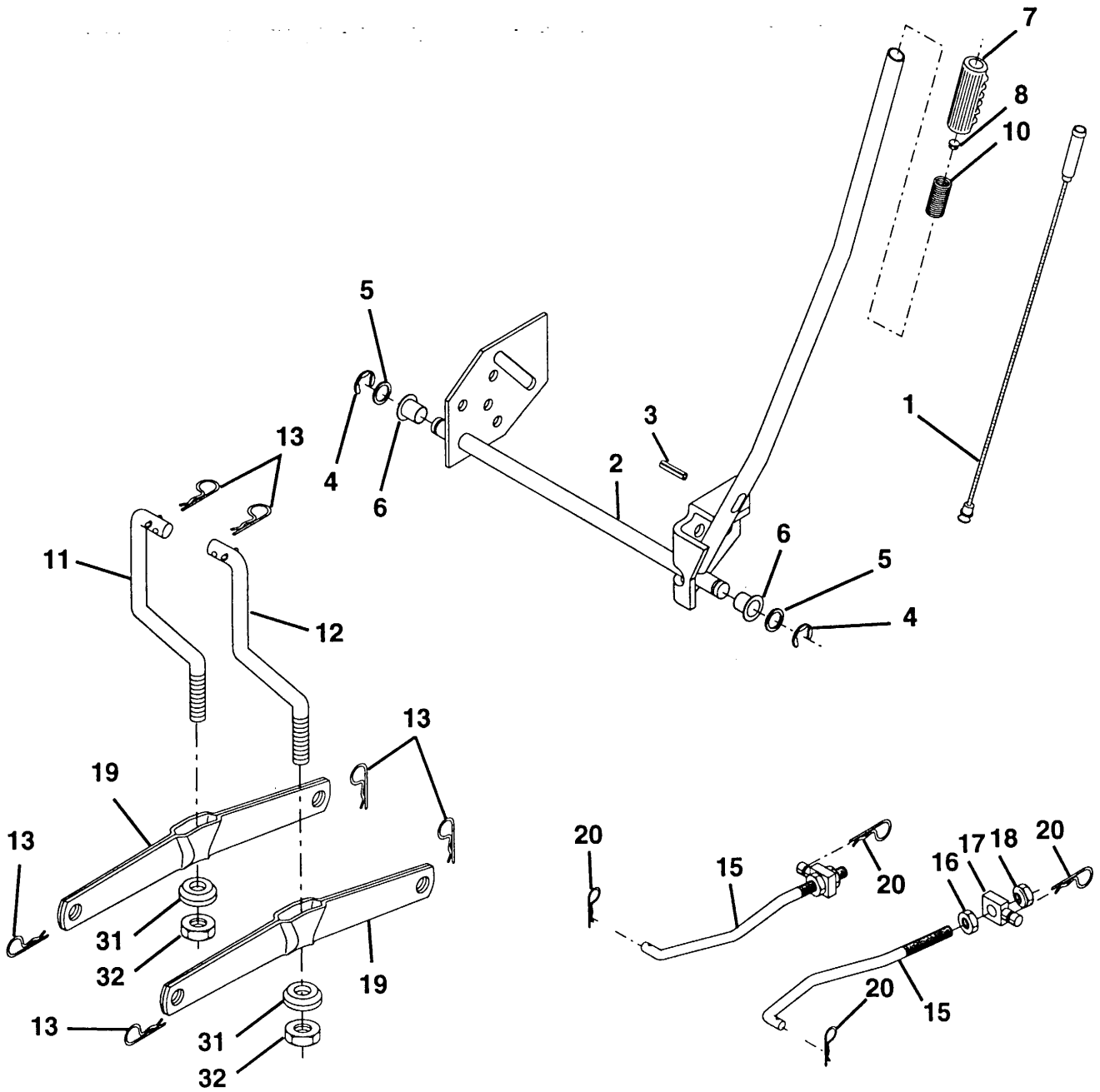
KEY NO.	PART NO.	DESCRIPTION
1	153854	Control Throt Pdl EEC
2	17720410	Screw Hex Thd Cut 1/4-20x5/8 T
3	-----	Engine (See Breakdown) B&S Model 28N707-0173-01
4	137352	Muffler Exhaust B&S Lt
13	272293	Gasket 1 313 Id Tin Plated
14	13280324	Nipple Pipe 3/8 Npt X 3"
15	13200300	Elbow Std 90 Degree 3/8-18 Npt
16	STD551237	Washer Lock Ext Tooth 3/8
23	156123	Shield Browning
29	137180	Arrestor Spark
31	109202X	Tank Fuel 1 25 Fr
32	123549X	Cap Asm Fuel W/sym Vented
33	123487X	Clamp Hose Blk
35	17490512	Screw, Thdrol 5/16-18 x 3/4 Tyt
37	137040	Line Fuel 20"
38	-----	Plug Oil Drain (Order From Engine Manufacturer)
40	124028X	Bushing Snap Nyl Blk Fuel Line
44	17490412	Screw Hexwsh Thdrol 1/4-20x3/4
46	19091416	Washer 9/32 X 7/8 X 16ga
62	STD551131	Washer Lock Hvy Hlcl Spr 5/16
66	127951	Stop Throttle 3000 RPM
72	71070512	Screw Hexhd Cap 5/16-18x3/4
78	17490620	Screw Thdrol 3/8-16x1-1/4 Tytt
81	128861	Nut Flange 1/4-20 Starter Nut

NOTE: All component dimensions given in U.S. inches
1 inch = 25.4 mm

REPAIR PARTS

TRACTOR -- MODEL NUMBER 917.252780

LIFT



REPAIR PARTS

TRACTOR - - MODEL NUMBER 917.252780

LIFT

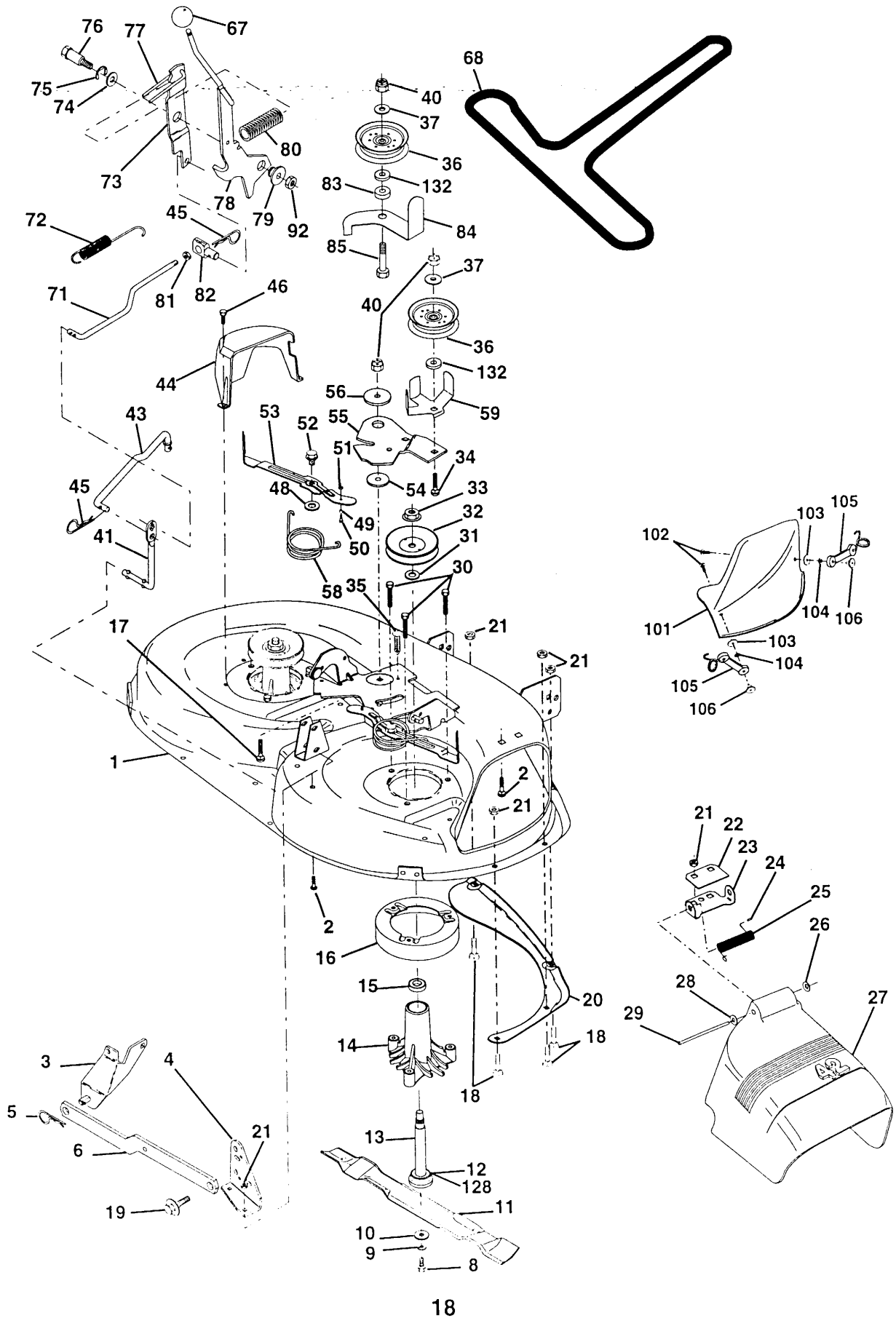
KEY NO.	PART NO.	DESCRIPTION
1	136973	Rod Asm. Lever
2	122507X	Shaft Asm. Lift
3	105767X	Pin Groove
4	12000002	E Ring #5133-62
5	19211621	Washer 21/32 x 1 x 21 Ga.
6	120183X	Bearing Nylon
7	125631X	Grip Handle Fluted
8	122365X	Button Plunger Read
10	122512X	Spring Cprsn
11	139865	Link Asm Lift L.H.
12	139866	Link Asm Lift R.H.
13	STD624008	Retainer Spring
15	127218	Link Front
16	73350800	Nut Jam Hex 1/2-13 Unc
17	130171	Trunnion Blk Zinc
18	73800800	Nut Lock W/Wsh 1/2-13 Unc
19	139868	Arm Suspension Mower
20	STD624008	Retainer Spring
31	140302	Bearing, Pvt. Lift. Spherical
32	73540600	Nut Crownlock 3/8-24

NOTE: All component dimensions given in U.S. inches
1 inch = 25.4 mm

REPAIR PARTS

TRACTOR -- MODEL NUMBER 917.252780

MOWER



REPAIR PARTS

TRACTOR - - MODEL NUMBER 917.252780

MOWER

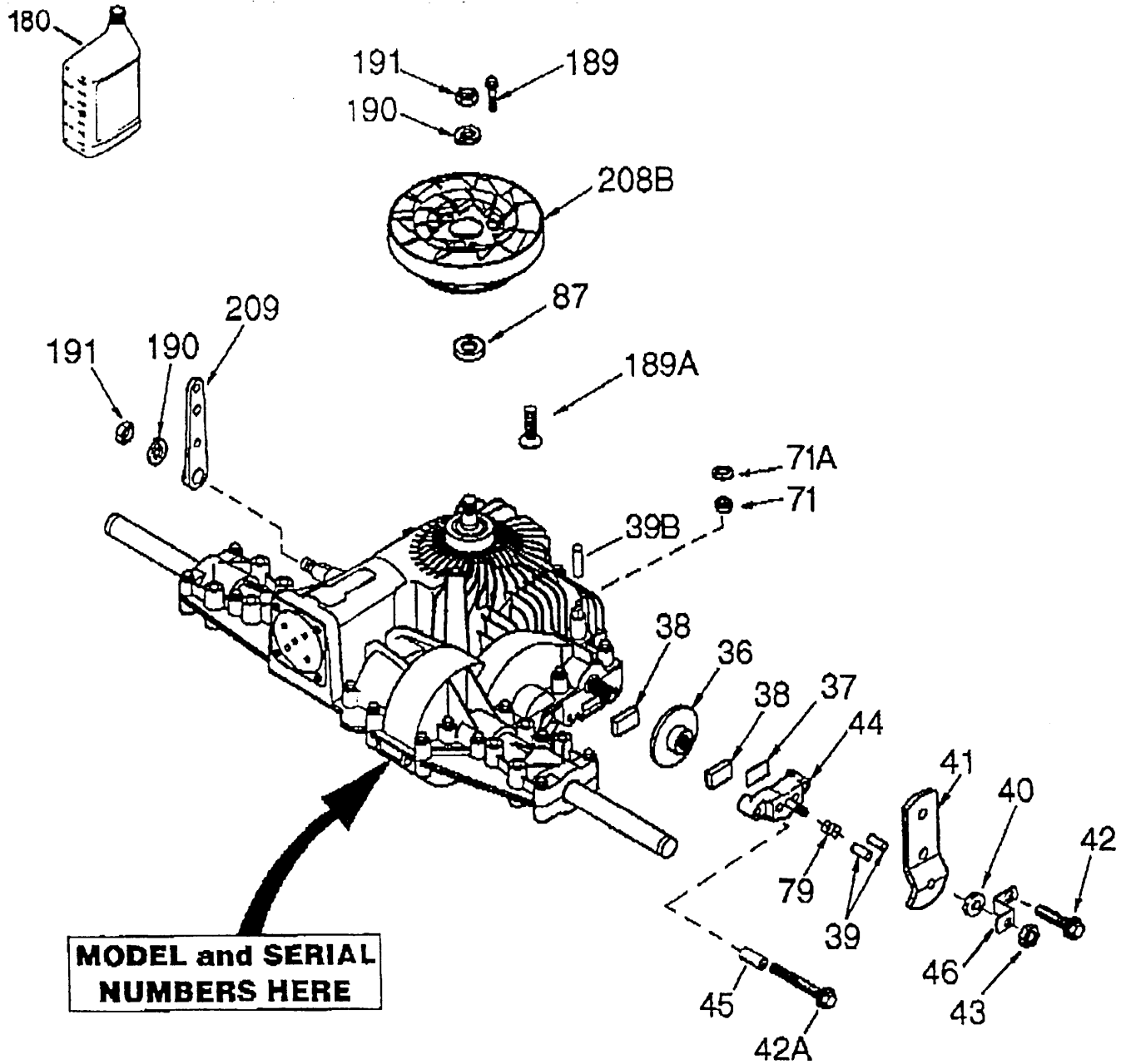
KEY NO.	PART NO.	DESCRIPTION	KEY NO.	PART NO.	DESCRIPTION
1	144393	Mower Housing	49	155066	Roller Assembly, Cam Follower
2	STD533107	Bolt	50	131340	Bolt, Shoulder #10-24 Grade 5
3	138017	Bracket Assembly, Sway Bar, Front	51	STD541410	Locknut
4	138440	Bracket Assembly, Sway Bar	52	139888	Bolt, Shoulder 5/16-18 UNC
5	STD624008	Retainer Spring	53	131845X900	Arm Assembly, Pad, Brake
6	130832	Arm, Suspension, Rear	54	133943	Washer, Hardened
8	850857	Bolt, Hex 3/8-24 x 1.25 Grade 8	55	155046	Arm, Idler
9	STD551137	Washer, Lock	56	122052X	Spacer, Retainer
10	140296	Washer, Hardened	58	140086	Spring, Torsion Brakes 42"
11	134149	Blade, Mulching	59	141043	Guard, Tuv Idler (94)
12	129895	Bearing, Ball	67	149846	Knob Custom Oval
13	137645	Shaft Assembly, Mandrel, Vented (Includes Key Number 6)	68	144200	V-Belt
14	128774	Housing, Mandrel, Vented	71	142427	Rod, Clutch, Primary, with Nibs
15	110485X	Bearing, Ball, Mandrel	72	131870	Spring, Return
16	140329	Stripper, Vented Mower Deck	73	127847	Arm, Clutch, Secondary
17	72110610	Bolt, Carriage 3/8-16 x 2-1/4	74	121748X	Washer 25/32 x 1-5/8 x 16 Gauge
18	72140505	Bolt, Carriage 5/16-18 x 5/8	75	12000029	Ring, Klip
19	132827	Bolt, Shoulder	76	128903	Bolt, Shoulder 3/8-16 UNC x 1.44
20	136888	Baffle, Vortex	77	127845	Keeper, Spring
21	STD541431	Nut, Crownlock 5/16-18 UNC	78	154810	Arm, Clutch, Primary
22	134753	Stiffener Bracket	79	127498	Bushing, Large, Brass
23	131267	Bracket, Deflector	80	153701	Spring, Mower Clutch
24	105304X	Cap, Sleeve	81	73350600	Nut, Hex Jam 3/8-16 UNC
25	123713X	Spring, Torsion, Deflector	82	142028	Trunnion Adj. 94
26	110452X	Nut, Push	83	120958X	Washer Sintered
27	130968	Shield, Deflector	84	156084	Keeper Belt Idler
28	19111016	Washer 11/32 x 5/8 x 16 Gauge	85	72140618	Bolt Carriage 3/8-16 x 2-1/4
29	131491	Rod, Hinge	92	STD541437	Locknut, Hex W/Wsh 3/8-16 UNC
30	138776	Screw Thdrol Hex Head Zinc Mwr	101	136420	Cover Mulching 42" Black
31	129963	Washer, Spacer	102	71161010	Screw Truss Head Phil 10-24 x 5/8
32	153535	Pulley, Mandrel	103	19061216	Washer #10
33	137266	Nut, Toplock, Flanged	104	10071000	Washer Lock #10
34	STD533717	Bolt	105	130758	Latch Asm Bagger
35	133835	Fastner, Christmas Tree	106	2029J	Nut Weld
36	131494	Pulley, Idler, Flat	128	153390	Washer Felt
37	STD551037	Washer 13/32 x 13/16 x 16 Ga.	132	19132203	Washer 13/32 x 1-3/8 x 3 Ga.
40	STD541437	Nut, Crownlock 3/8-16 UNC	--	130794	Mandrel Assembly (Includes Key Numbers 8-10, 12-15, 31 and 32)
41	133551	Rod, Pivot, with Nibs	--	145411	Mower Deck, Complete (Std deck - order separately mulcher plate components key nos. 101-106)
43	140083	Rod, Clutch, Secondary, with Nibs			
44	140088	Guard, Mandrel, L.H.			
45	STD624003	Retainer			
46	137729	Screw, Thd. Roll 1/4-20 x 5/8			
48	133944	Washer, Hardened			

NOTE: All component dimensions given in U.S. inches
1 inch = 25.4 mm.

REPAIR PARTS

TRACTOR - - MODEL NUMBER 917.252780

PEERLESS TRANSAXLE - MODEL NUMBER 205-027B



REPAIR PARTS

TRACTOR - - MODEL NUMBER 917.252780

PEERLESS TRANSAXLE - MODEL NUMBER 205-027B

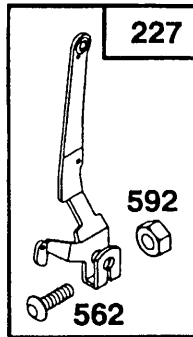
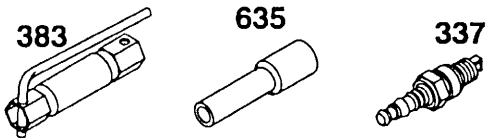
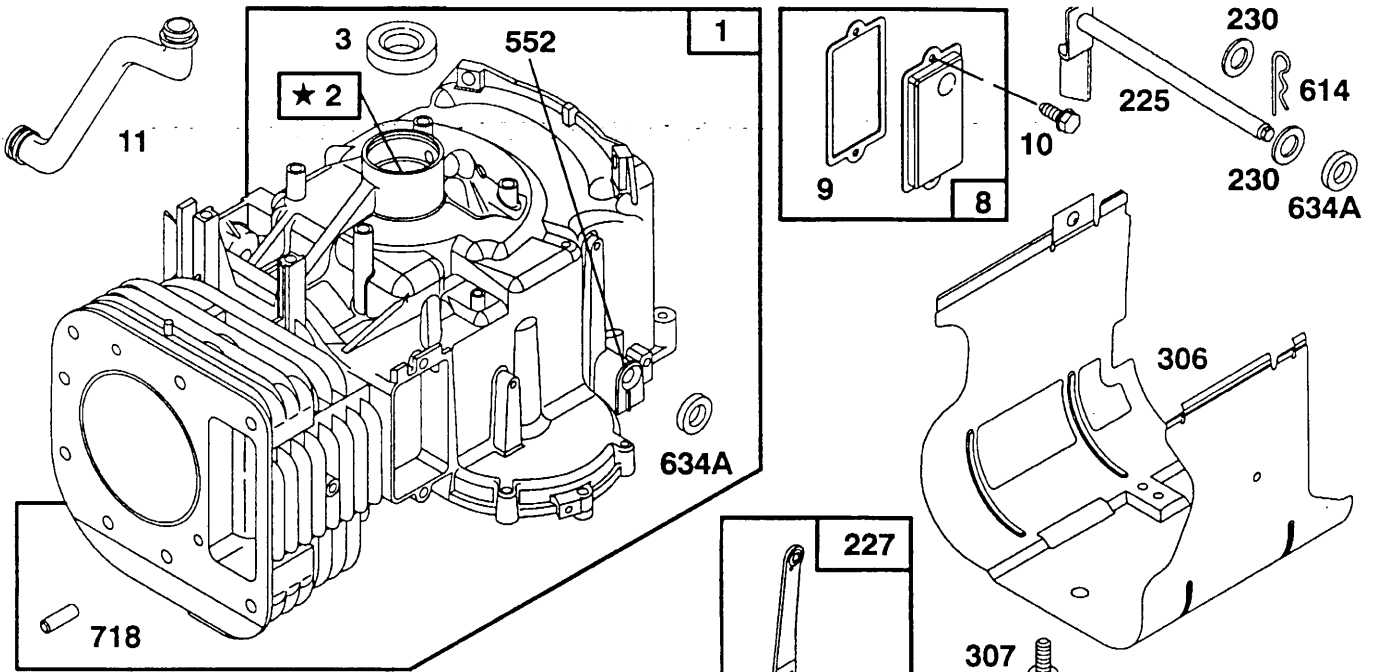
REF NO.	PART NO.	DESCRIPTION
36	790075	Brake Disc
37	790007	Brake Pad Plate
38	799021	Brake Pad (pkg of 2)
39	786026	Dowel Pin
39B	798033	Belt Guard
40	792076A	Flat Washer
41	790085	Brake Lever
42	792073	Screw, 1/4-20 x 1-1/4"
42A	792085A	Screw, 1/4-20 x 2-1/4"
43	792075	Locknut, 5/16-24
44	790025	Brake Pad Holder
45	786066	Spacer
46	790086	Brake Lever Bracket
71	788069	Square Cut Ring
71A	792162	Pushnut, 9/16"
79	792144	Spring
87	788035	Oil Seal, 5/8"
180	730229A	Gear Oil 80W90
189	792168	Drive Screw #6 x 1/2"
189A	792169	Screw, 10-32 x 1/2"
190	792150	Lockwasher
191	792151	Nut, 7/16-20
208B	798025	Fan/Coupling (Incl. 189 & 189A)
209	798024	Control Lever

Parts must be ordered from Tecumseh Products Co.
NOTE: All component dimensions given in U.S. inches
1 inch = 25.4 mm

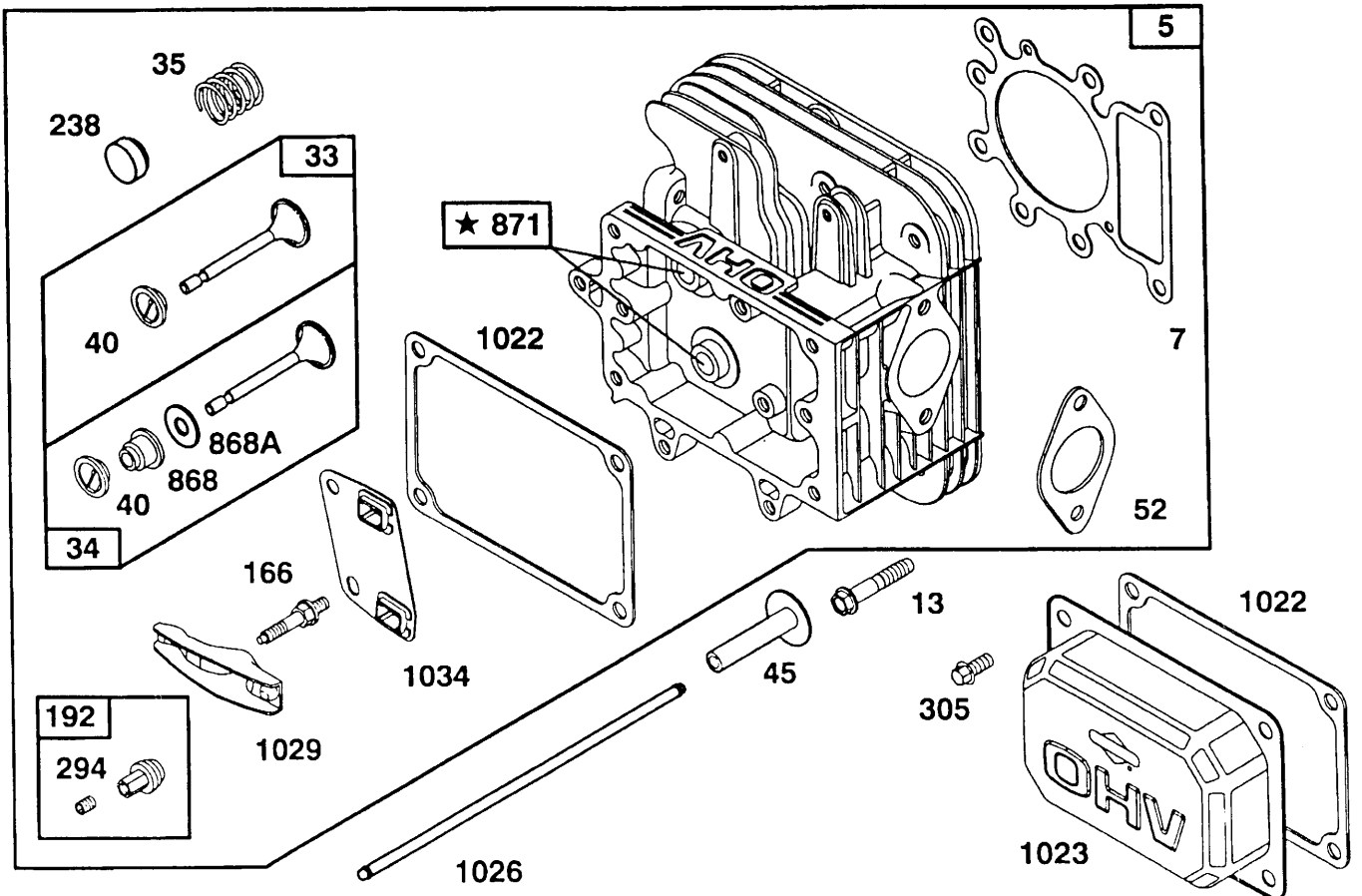
REPAIR PARTS

TRACTOR - - MODEL NUMBER 917.252780

BRIGGS & STRATTON ENGINE - MODEL NUMBER 28N707, TYPE NUMBER 0173-01



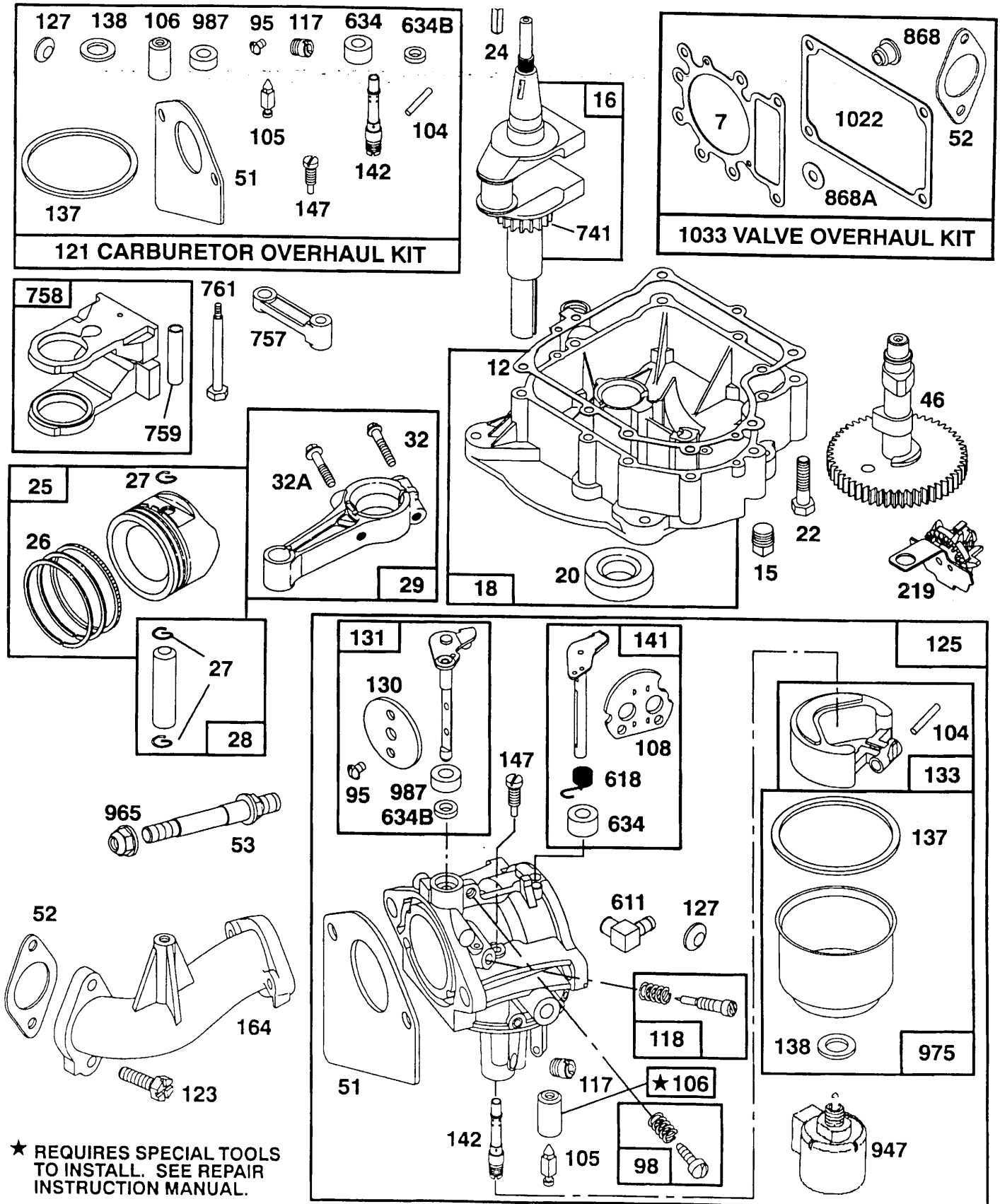
★ REQUIRES SPECIAL TOOLS TO INSTALL. SEE REPAIR INSTRUCTION MANUAL.



REPAIR PARTS

TRACTOR - - MODEL NUMBER 917.252780

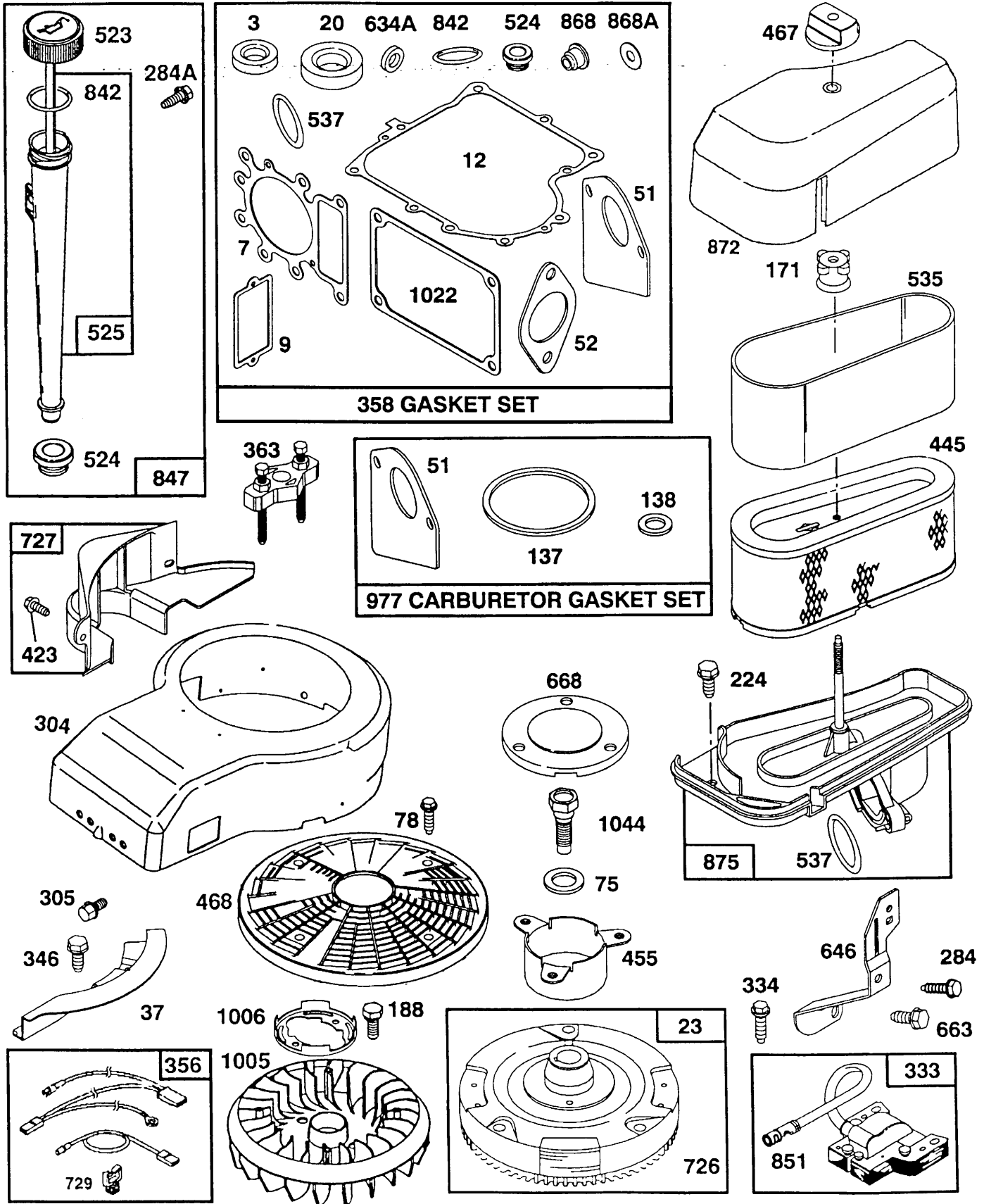
BRIGGS & STRATTON ENGINE - MODEL NUMBER 28N707, TYPE NUMBER 0173-01



REPAIR PARTS

TRACTOR - - MODEL NUMBER 917.252780

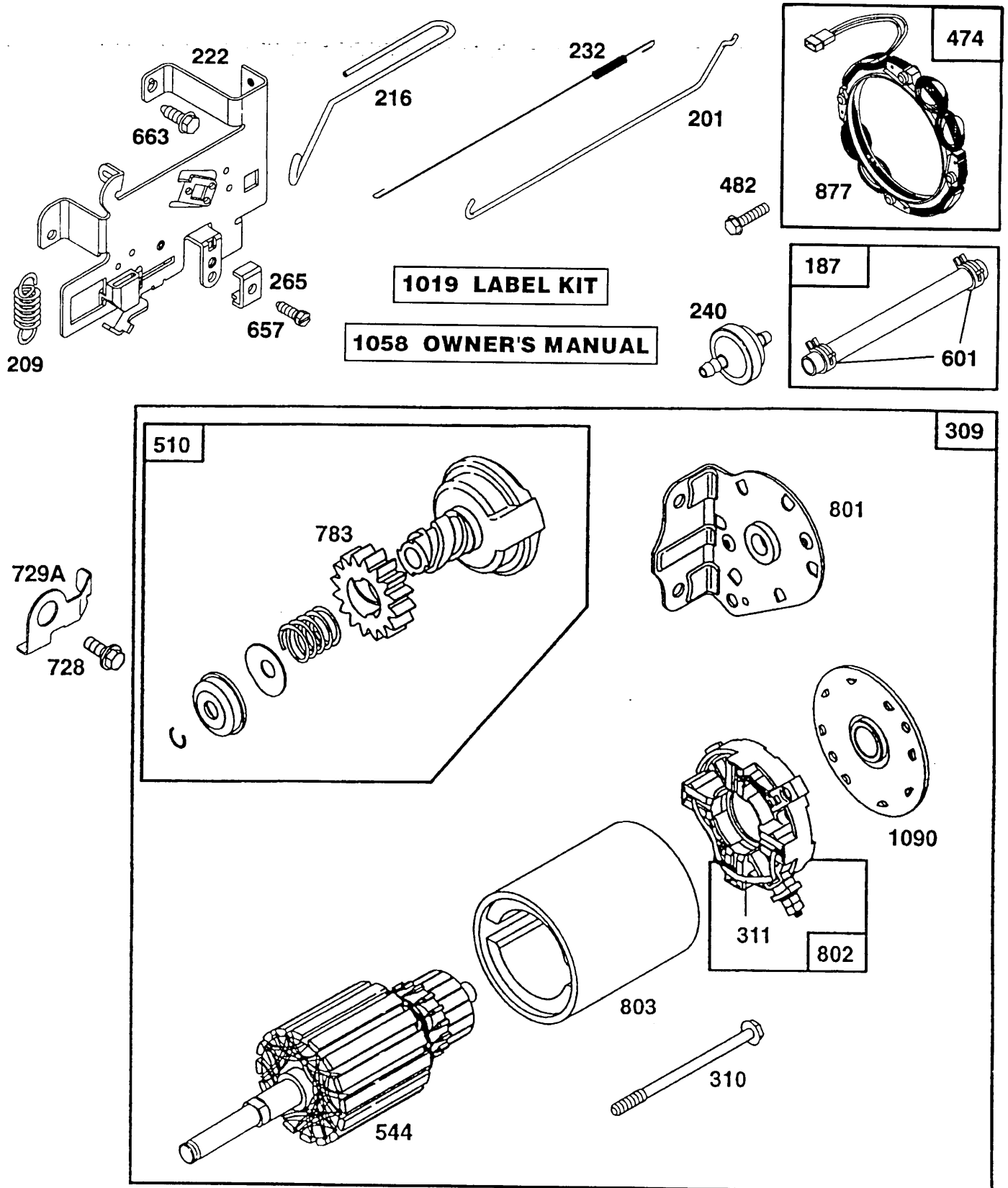
BRIGGS & STRATTON ENGINE - MODEL NUMBER 28N707, TYPE NUMBER 0173-01



REPAIR PARTS

TRACTOR - - MODEL NUMBER 917.252780

BRIGGS & STRATTON ENGINE - MODEL NUMBER 28N707, TYPE NUMBER 0173-01



REPAIR PARTS

TRACTOR - - MODEL NUMBER 917.252780

BRIGGS & STRATTON ENGINE - MODEL NUMBER 28N707, TYPE NUMBER 0173-01

KEY PART NO.	NO.	DESCRIPTION	KEY PART NO.	NO.	DESCRIPTION
1	496412	Cylinder Assembly	95	94098	** Screw, Throttle
2	399265	Bearing, Cylinder	98	495800	Screw, Idle Speed
3	391086	* Seal, Oil	104	231789	** Pin, Float Hinge
5	495858	Head, Cylinder	105	231855	** Valve Float
7	272614	*** Gasket, Cylinder Head	106	231854	** Seat, Inlet Valve
8	495735	Breather Assembly	108	224540	Valve, Choke
9	27803	* Gasket, Valve Cover	117	231858	** Jet, Needle Valve
10	94621	Screw, Sems	118	495932	Valve, Needle
11	281246	Tube, Breather	121	498116	Carburetor Overhaul Kit
12	271916	* Gasket, Crankcase Cover, .015"	123	94616	Screw, Elbow Mounting
	271997	* Gasket, Crankcase Cover, .005"	125	498051	Carburetor Assembly
	271996	* Gasket, Crankcase Cover, .009"	127	- - -	** Plug, Welch (Sold in Kit Only)
13	94728	Screw, Cylinder Head	130	224539	Valve, Throttle
15	94239	Plug, Oil Drain	131	494379	Shaft and Lever, Throttle
16	495162	Crankshaft	133	494381	Float, Carburetor
	94196	Timing Gear Key	137	281165	**** Gasket, Float Bowl
18	494238	Base, Engine	138	281164	**** Washer, Bowl
20	291675	* Seal, Oil	141	495931	Shaft and Lever, Choke
22	94624	Screw, Sems, Base Mounting	142	231859	** Nozzle, Carburetor
23	492326	Flywheel and Ring Gear Assembly, Magneto	147	497472	** Pilot, Jet
24	222698	Key, Flywheel	164	214047	Elbow, Carburetor
25	495860	Piston Assembly, Standard Size	166	94555	Stud, Rocker Arm
	495977	Piston Assembly, .010" Oversize	171	281051	Nut, Air Cleaner Mounting
	495978	Piston Assembly, .020" Oversize	187	393815	Line, Fuel (11" Long, Cut to Suit)
	495979	Piston Assembly, .030" Oversize	188	94627	Screw, Sems
26	495854	Ring Set, Piston, Standard Size	192	492160	Screw Assembly, Rocker Arm
	495852	Ring Set, Piston, .010" Oversize	201	262767	Link, Governor
	495851	Ring Set, Piston, .020" Oversize	209	260695	Spring, Governor
	495855	Ring Set, Piston, .030" Oversize	216	262766	Link, Choke
27	260924	Lock, Piston Pin	219	490815	Gear, Governor
28	299691	Pin Assy., Piston, Standard Size	222	495611	Plate, Governor Control
	391286	Pin Assy., Piston, .005" Oversize	224	94729	Screw, Sems, Air Cleaner
29	494504	Rod Assembly, Connecting	225	495157	Crank, Governor
	495490	Rod Assembly, Connecting, .020" Undersize Crankpin Bore	227	493935	Lever Assembly, Governor
32	94695	Screw, Hex Washer Head, 1-5/8"	230	94742	Washer, Governor Crank
32A	94648	Screw, Hex Washer Head, 1-5/8"	232	262785	Spring, Governor Link
33	495856	Valve, Exhaust	238	262836	Cap, Valve
34	495857	Valve, Intake	240	394358	Filter, Fuel (In Fuel Line)
35	262811	Spring, Valve	265	221535	Clamp, Casing
37	224502	Guard, Flywheel	284	94704	Screw, Hex Head
40	224641	Retainer, Valve Spring			* Included in Gasket Set (495993)
45	262411	Tappet, Valve			** Included in Carburetor Kit (497535)
46	496884	Gear, Cam			*** Included in both Gasket Set (495993) and Valve Overhaul Kit (495992)
51	272465	**** Gasket, Carburetor (Carburetor to Elbow) (Also Included in Gasket Set, Part Number 495993)			**** Included in Gasket Set (495993), Carburetor Kit (497535) and Carburetor Gasket Set (494385)
52	272569	*** Gasket, Carburetor (Elbow to Cylinder)			
53	94637	Stud, Carburetor Mounting			
75	224061	Washer, Spring			
78	94832	Screw, Pan Head			

NOTE: All component dimensions given in U.S. inches
1 inch = 25.4 mm

REPAIR PARTS

TRACTOR - - MODEL NUMBER 917.252780

BRIGGS & STRATTON ENGINE - MODEL NUMBER 28N707, TYPE NUMBER 0173-01

KEY PART NO. NO.	DESCRIPTION	KEY PART NO. NO.	DESCRIPTION
284A 94073	Screw, Hex Head	729A 225170	Retainer, Wire
294 810068	Screw, Set	741 262932	Gear, Timing
304 496280	Housing, Blower	757 213998	Link, Counterweight
305 94786	Screw, Hex, Head,	758 399891	Counterweight Assembly
	Blower Housing Mounting	759 298909	Pin, Counterweight
306 225020	Shield, Cylinder	761 94593	Screw, Counterweight
307 94386	Screw, Cylinder Shield	783 280104	Gear, Starter
309 497595	Motor, Starter	801 394856	Cap, Drive
310 497602	Bolt, Thru	802 497605	Cap, End
311 497608	Brush Set	803 497604	Housing, Starter
333 495859	Armature, Magneto	842 270920	* Seal, Oil Filler Cap
334 93381	Screw, Sems, Armature Mounting	847 496415	Fill Group, Oil
337 491055	Plug, Spark	851 224110	Terminal, Ignition Cable
346 93705	Screw, Hex Head	868 494435	*** Seal Assembly, Valve
356 497708	Wire Assembly	868A 272610	*** Gasket, Valve
358 495993	Gasket Set	871 262835	Bushing, Guide (Intake & Exhaust)
363 19203	Puller, Flywheel	872 281361	Cover, Air Cleaner
383 89838	Wrench, Spark Plug	875 495862	Body, Air Cleaner
423 94073	Screw, Sems	877 393456	Diode and Connector Assembly
445 493909	Cartridge, Air Cleaner	947 497157	Solenoid
455 222561	Cup, Screen Mounting	965 94010	Nut, Hex
467 493903	Knob, Air Cleaner	975 495933	Bowl Assembly, Carburetor
468 494439	Screen, Flush Rotating	977 494385	Carburetor Gasket Set
474 393474	Stator, Alternator	987 281166	** Seal, Throttle Shaft
482 93621	Screw, Sems	1005 281400	Fan, Flywheel
510 497606	Drive, Starter	1006 224413	Retainer, Fan
523 495230	Cap and Dipstick, Oil Filler	1019 496758	Label Kit
524 68838	* Seal, Filler Tube	1022 272475	*** Gasket, Cover
525 496113	Tube, Oil Filler	1023 224552	Cover, Rocker Arm
535 272403	Element, Filter	1026 494432	Rod, Push, Intake
537 281106	* O-Ring, Air Cleaner	495136	Rod, Push, Exhaust
544 497603	Armature, Starter	1029 224554	Arm, Rocker
552 231597	Bushing, Governor Crank	1033 495992	Valve Overhaul Kit
562 92613	Bolt, Carriage	1034 495248	Guide Assembly, Push Rod
592 231082	Nut, Hex	1044 94673	Screw, Hex Head
601 93053	Clamp, Fuel Pipe	1054 270723	Tie, Cable
611 493496	Elbow, Fuel Pipe	1058 272623	Manual, Owner's
614 93306	Pin, Cotter	1090 497607	Retainer, Brush
618 262803	Spring, Choke Return		
634 281168	** Seal, Choke Shaft		
634A 491323	* Seal, Governor		
634B 281167	** Washer, Throttle Shaft		
635 280872	Boot, Spark Plug		
646 224546	Brace, Air Cleaner		
657 93496	Screw, Sems		
663 94620	Screw, Self-Tapping		
668 280848	Spacer		
718 230192	Pin, Dowel		
726 392134	Gear, Ring (Includes Mounting Hardware)		
727 490324	Cover, Starter		
728 94627	Screw, Hex Head		
729 281390	Clip, Wire		

RPM Settings: Low: 1650-1850, High: 3200-3400

* Included in Gasket Set (495993)

** Included in Carburetor Kit (497535)

*** Included in both Gasket Set (495993) and Valve Overhaul Kit (495992)

**** Included in Gasket Set (495993), Carburetor Kit (497535) and Carburetor Gasket Set (494385)

NOTE: All component dimensions given in U.S. inches
1 inch = 25.4 mm

CRAFTSMAN®

IMPORT

Max & ERIK PEDERSEN
Aabyvej 69
DK-8230 Aabyhøj - Aarhus

Telefon 86-15 44 44
Fax 86-15 41 88

FORHANDLER

