

REPAIR PARTS MANUAL

MODEL NO. 252781

Lawn Tractor

15,5/42 H



1997

CRAFTSMAN®

HOW TO USE THIS MANUAL

This manual is designed to provide the customer with a means to identify the parts on his/her tractor when ordering repair parts. The illustrations may or may not represent the actual assemblies; therefore, it is not recommended to use this manual as a guide to assemble or disassemble the tractor. Some hardware and parts are drawn larger in order to more readily identify them.

Each tractor has its own model number.

The model number for your tractor can be found on the fender under the seat.

When ordering parts, always give the following information:

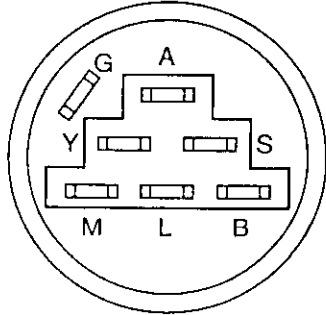
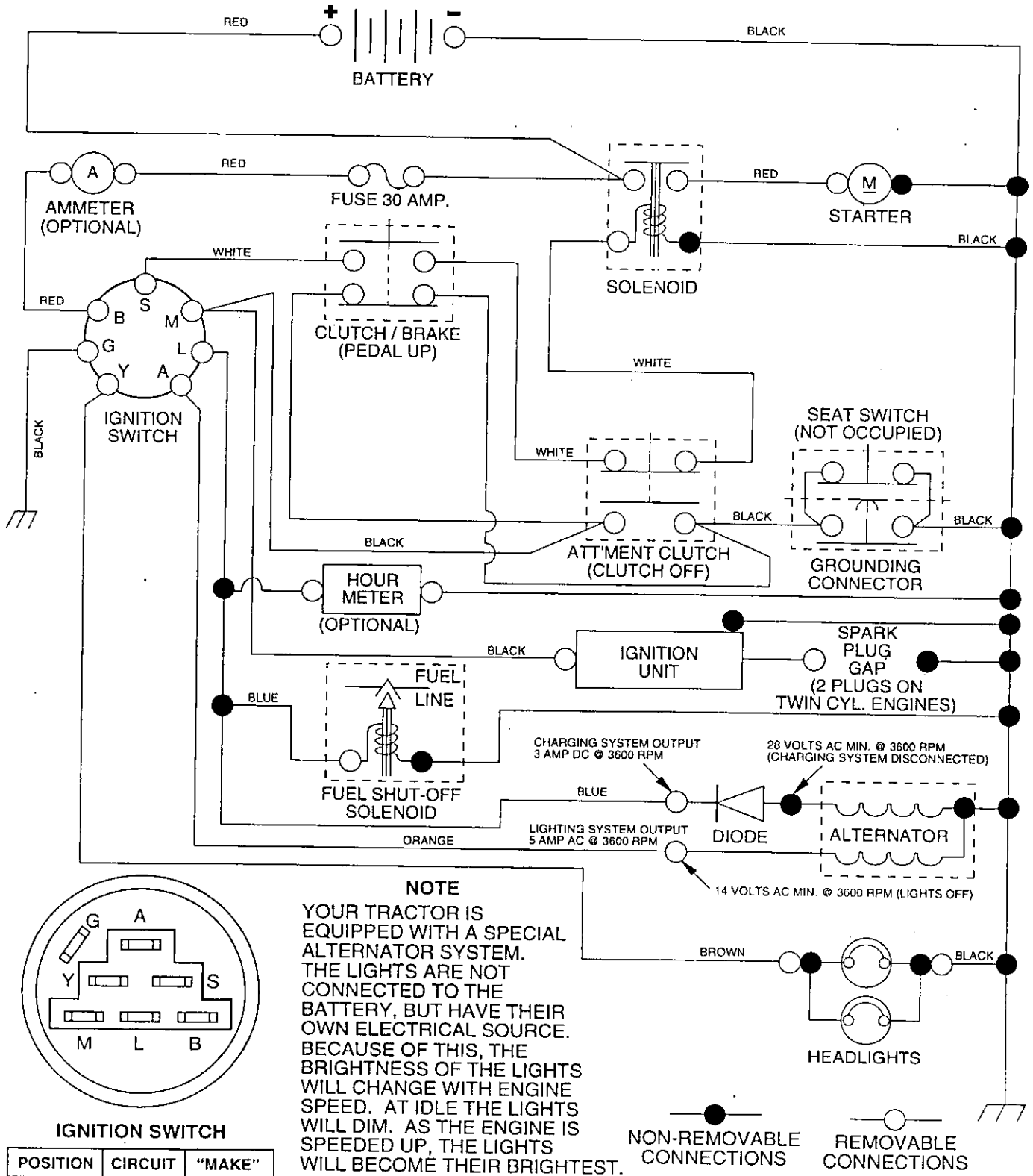
- Product - "Tractor"
- Model Number - "252781"
- Part Number
- Part Description

TABLE OF CONTENTS

| | |
|------------------------|-------|
| SCHEMATIC | 3 |
| ELECTRICAL | 4-5 |
| CHASSIS | 6-7 |
| DRIVE | 8-9 |
| STEERING WHEEL | 10-11 |
| ENGINE | 14-15 |
| DECALS | 13 |
| SEAT | 12 |
| MOWER LIFT LEVER | 16-17 |
| MOWER DECK | 18-19 |
| TRANSAXLE | 20-21 |

TRACTOR - MODEL NUMBER 917.252781

SCHEMATIC



IGNITION SWITCH

| POSITION | CIRCUIT | "MAKE" |
|-----------|-----------|--------|
| OFF | G + M + L | NONE |
| RUN/LIGHT | B + L | A + Y |
| RUN | B + L | NONE |
| START | B + L + S | NONE |

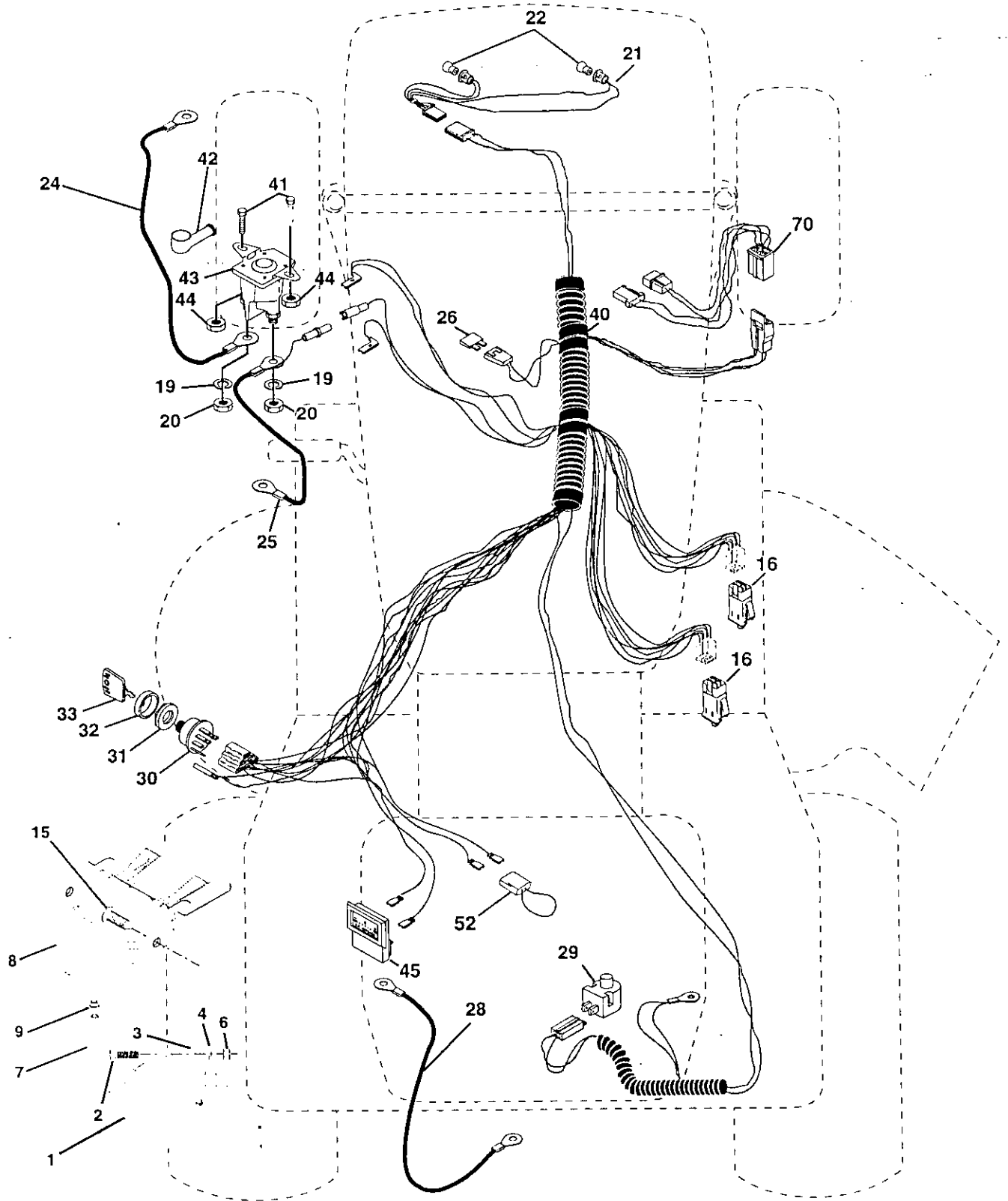
NOTE
 YOUR TRACTOR IS EQUIPPED WITH A SPECIAL ALTERNATOR SYSTEM. THE LIGHTS ARE NOT CONNECTED TO THE BATTERY, BUT HAVE THEIR OWN ELECTRICAL SOURCE. BECAUSE OF THIS, THE BRIGHTNESS OF THE LIGHTS WILL CHANGE WITH ENGINE SPEED. AT IDLE THE LIGHTS WILL DIM. AS THE ENGINE IS SPEEDED UP, THE LIGHTS WILL BECOME THEIR BRIGHTEST.

WIRING INSULATED CLIPS
NOTE: IF WIRING INSULATED CLIPS WERE REMOVED FOR SERVICING OF UNIT, THEY SHOULD BE REPLACED TO PROPERLY SECURE YOUR WIRING.

REPAIR PARTS

TRACTOR - - MODEL NUMBER 917.252781

ELECTRICAL



REPAIR PARTS

TRACTOR - - MODEL NUMBER 917.252781

ELECTRICAL

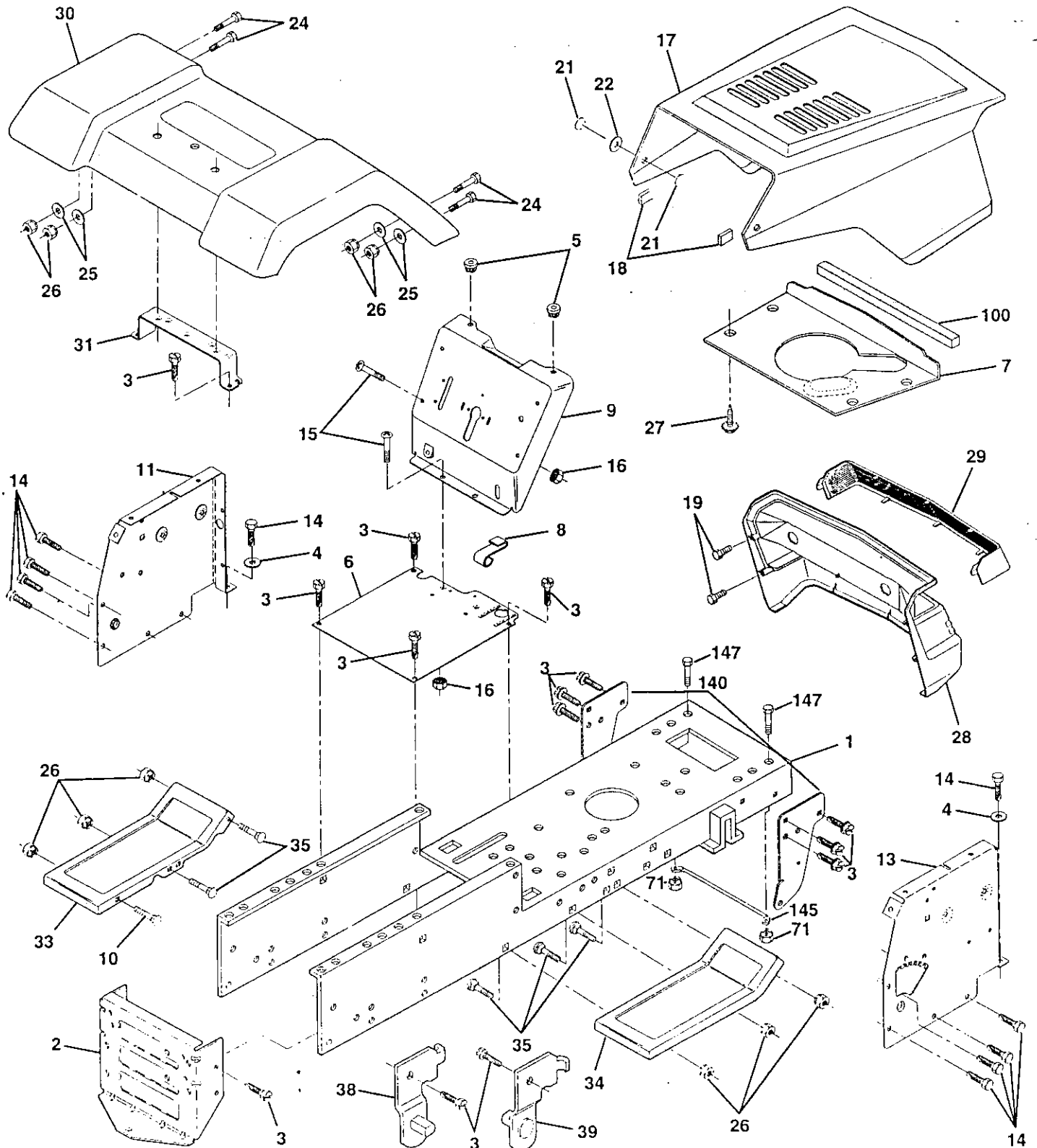
| KEY NO. | PART NO. | DESCRIPTION |
|---------|-----------|------------------------------------|
| 1 | 144925 | Battery 12 VOLT 25 AMP |
| 2 | 74760412 | Bolt Hex Hd 1/4-20unc x 3/4 |
| 3 | STD551025 | Washer 9/32 x 5/8 x 16 Ga |
| 4 | STD551125 | Washer Lock Hvy Helical 1/4 |
| 6 | STD541025 | Nut Fin Hex 1/4-20 Unc |
| 7 | 109238X | Tube Plastic 12" |
| 8 | 156417 | Case Battery |
| 9 | 109596X | Clamp Hose Olive |
| 15 | 147688 | Fastener Snap-In |
| 16 | 153664 | Switch, Interlock Push-In |
| 19 | STD551125 | Washer Lock 1/4 |
| 20 | 73350400 | Nut Jam Hex 1/4-20 Unc |
| 21 | 136850 | Harness Asm Light W/4152j |
| 22 | 4152J | Bulb Light #1156 |
| 24 | 4799J | Cable Battery 6 Ga 11" red |
| 25 | 146147 | Cable Battery 6 Ga w/16 wire red |
| 26 | 108824X | Fuse 30 AMP Auto Green |
| 28 | 4207J | Cable Ground 6 Ga 12" black |
| 29 | 121305X | Switch Plunger Nc Gray |
| 30 | 140301 | Switch Ign 4 Pos |
| 31 | 124211X | Nut Ignition |
| 32 | 141226 | Cover Sw Key Blk 1 25 Text SLT |
| 33 | 109310X | Key Ign Molded Craftsman |
| 40 | 156442 | Harness Ign Man Cl Am Hm 97 |
| 41 | 71110408 | Bolt Blk. Fin Hex 1/4-20 Unc x 1/2 |
| 42 | 131563 | Cover Terminal Red |
| 43 | 145673 | Solenoid |
| 44 | 73640400 | Nut Keps Blk Hex 1/4-20 Unc |
| 45 | 121433X | Ammeter Rectangular 6 Amp |
| 52 | 141940 | Protection Wire Loop |
| 70 | 140422 | Harness Engine B&S 14 OHV |

NOTE: All component dimensions give in U.S. inches
1 inch = 25.4 mm

REPAIR PARTS

TRACTOR - - MODEL NUMBER 917.252781

CHASSIS AND ENCLOSURES



REPAIR PARTS

TRACTOR - - MODEL NUMBER 917.252781

CHASSIS AND ENCLOSURES

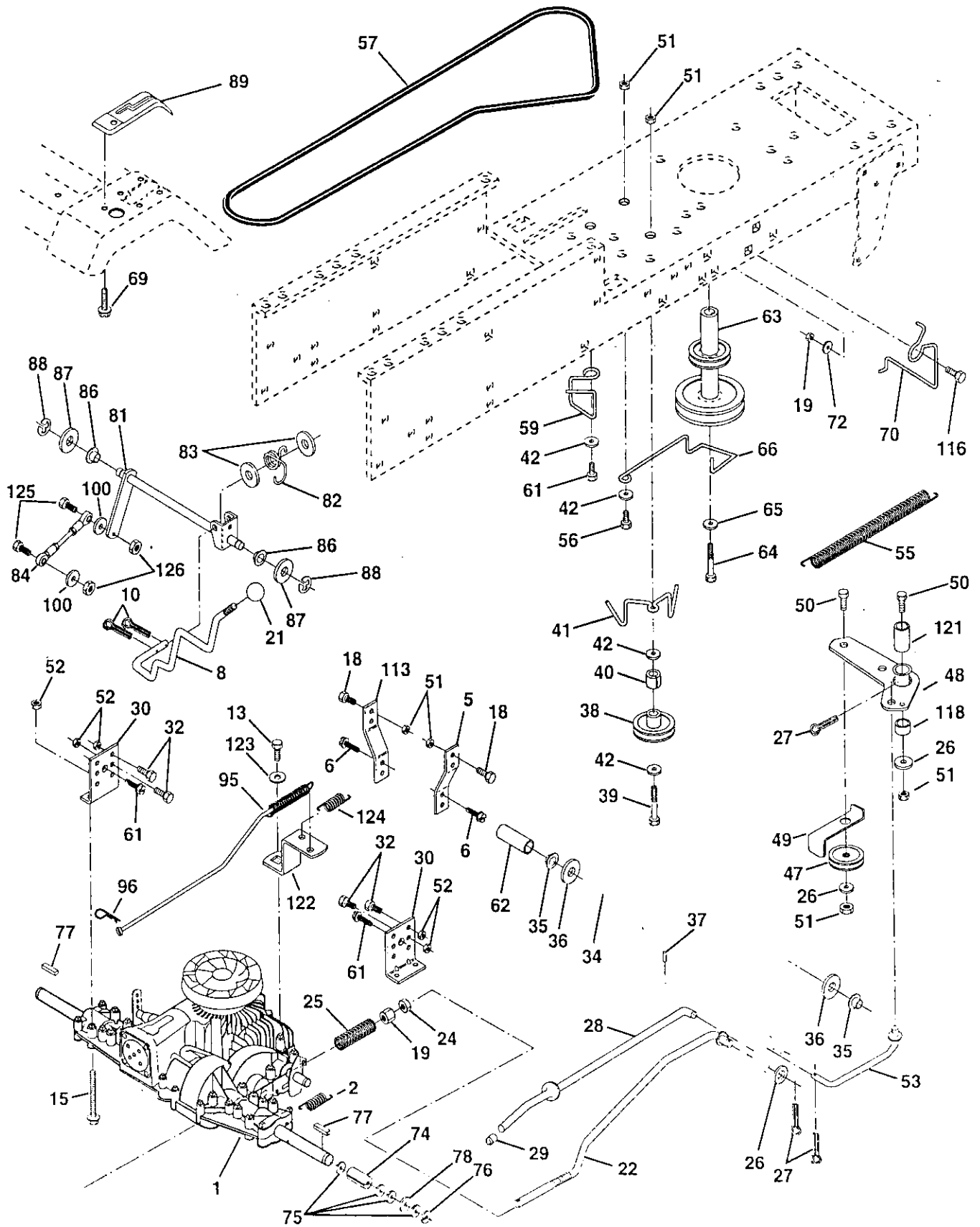
| KEY NO. | PART NO. | DESCRIPTION |
|---------|------------|---------------------------------------|
| 1 | 159530 | Chassis Weldment |
| 2 | 140356 | Drawbar Stretch |
| 3 | 17490612 | Screw Thdrol 3/8-16 x 3/4 Ty-tt |
| 4 | STD551025 | Washer 13/32 x 3/4 x 16 Ga. |
| 5 | 155272 | Bumper Hood/Dash |
| 6 | 155923 | Saddle LT Flat Fender Shift |
| 7 | 126842X | Shield Ht Hood Kohl/Dia Engine |
| 8 | 155138 | Clip Retainer Slide On |
| 9 | 156275X011 | Dash Silkscreened 1-Pc M. W/Amm |
| 10 | STD533710 | Bolt Carriage 3/8-16 x 1 |
| 11 | 155927 | Panel Pnt Dash Lh |
| 13 | 155934X010 | Panel Silscr Dash Rh Weldment |
| 14 | 17490608 | Screw Thdrol 3/8-16 x 1/2 Ty-tt |
| 15 | 74180512 | Screw Mach Trhd 5/16-18uncx3/4 |
| 16 | STD541431 | Nut Keps 5/16-18 Unc |
| 17 | 154988X574 | Hood Asm Pnt Weld MS-574 |
| 18 | 126938X | Bumper Hood |
| 19 | 17521312 | Screw Slt'd Hex Hd w/Pl Washer |
| 21 | 122933X | Rivet Ratchet Nylon |
| 22 | 124479X | Washer Nylon Blk 28 x 75 x 19 |
| 24 | STD523710 | Bolt Fin Hex 3/8-16unc x 1 |
| 25 | 19131312 | Washer 13/32 x 13/32 x 12 Ga |
| 26 | STD541437 | Nut Lock 3/8-16 Unc |
| 27 | 17030814 | Screw Lock Spider #8 x 7/8 |
| 28 | 140137 | Grille Black Ms-428 |
| 29 | 124029X | Lens Headlight Bar Clear |
| 30 | 140001X574 | Fender Pnt |
| 31 | 136619 | Bracket Pnt Fender |
| 33 | 145244X574 | Footrest Pnt Lh Lt/Yt/Gt 574 |
| 34 | 145243X574 | Footrest Pnt Rh Lt/Yt/Gt 574 |
| 35 | STD533707 | Bolt Rdhd Sht Sqnk 3/8-16 X3/4 |
| 38 | 139886 | Bracket, Asm. Pivot, L.H., Mower Rear |
| 39 | 139887 | Bracket, Asm. Pivot, R.H., Mower Rear |
| 71 | 73680400 | Nut Crownlock 1/4-20 Unc |
| 100 | 105037X | Strip Foam 18" |
| 140 | 158418 | Bracket, Front Suspension |
| 145 | 156524 | Rod Pivot Chassis/Hood |
| 147 | 74760412 | Bolt Hex Hd 1/4-20 Unc x 3/4 |
| -- | 5479J | Plug Button Blk 359 Dia |

NOTE: All component dimensions given in U.S. inches
1 inch = 25.4 mm

REPAIR PARTS

TRACTOR - - MODEL NUMBER 917.252781

DRIVE



REPAIR PARTS

TRACTOR - - MODEL NUMBER 917.252781

DRIVE

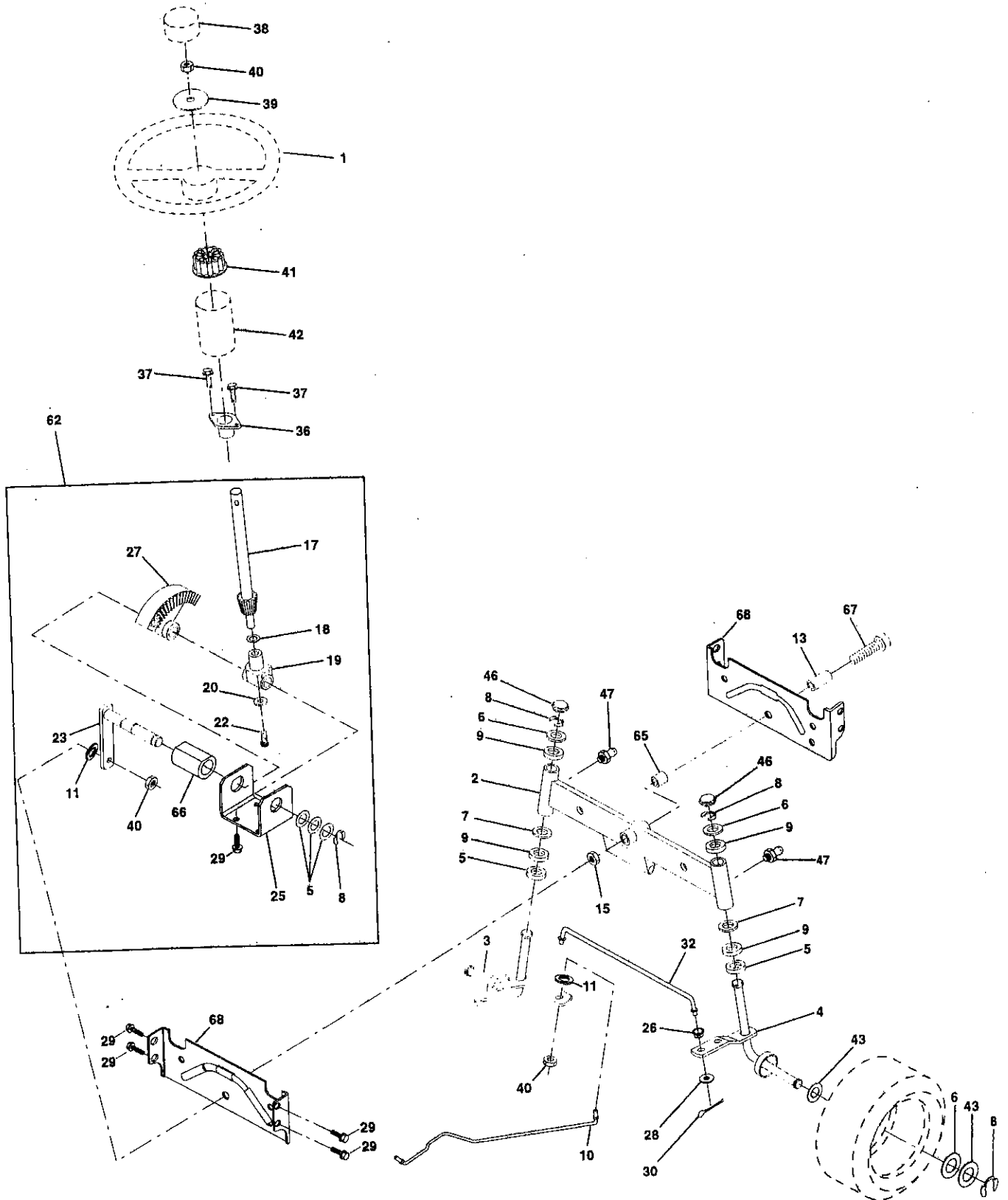
| KEY NO. | PART NO. | DESCRIPTION | KEY NO. | PART NO. | DESCRIPTION |
|---------|-----------|--|---------|----------|-----------------------------------|
| 1 | - - - - - | Transaxle (See Breakdown) Peerless Model 205-027B | 56 | 74760620 | Bolt Hex 3/8-16 x 1-1/4 |
| 2 | 146682 | Spring, Return Brake | 57 | 156971 | V-Belt, Ground Drive |
| 5 | 121520X | Strap Torque | 59 | 140312 | Keeper, Center Span |
| 6 | 17490512 | Screw Thdrol 5/16-18 x 3/4 | 61 | 17490612 | Screw Thdrol. 3/8-16 x 3/4 Ty. TT |
| 8 | 141003 | Rod Shift Hydro LT | 62 | 8883R | Cover, Pedal |
| 10 | 76020416 | Pin Cotter 1/8 x 1 CAD | 63 | 140186 | Pulley, Engine |
| 13 | 74550412 | Bolt 1/4-28 Unf Gr. 8 W/Patch | 64 | 71170764 | Bolt Hex 7/16-20 X 4 Gr. 5 |
| 15 | 74490544 | Bolt Hex Flghd 5/16-18 Gr. 5 | 65 | 10040700 | Washer |
| 18 | 74780616 | Bolt Fin Hex 3/8-16 Unc x 1 Gr. 5 | 66 | 154778 | Keeper Belt Engine |
| 19 | 73800600 | Nut Lock Hex W/Wsh 3/8-16 Unc | 69 | 142432 | Screw, Hex Washer Hi-Lo 1/4-1/2 |
| 21 | 106933X | Knob, Round 1/2-13 | 70 | 134683 | Keeper Belt Engine |
| 22 | 130804 | Rod, Brake | 72 | 19132012 | Washer 13/32 x 1-1/4 x 12 Gauge |
| 24 | 73350600 | Nut, Hex Jam 3/8-16 Unc | 74 | 156972 | Spacer, Axle PVST |
| 25 | 106888X | Spring, Brake Rod | 75 | 121749X | Washer 25/32 x 1-1/4 x 16 Gauge |
| 26 | 19131316 | Washer | 76 | 12000001 | E-Ring |
| 27 | 76020412 | Pin Cotter 1/8 x 3/4 CAD. | 77 | 123583X | Key, Square |
| 28 | 145204 | Rod, Parking Brake | 78 | 121748X | Washer 25/32 x 1-5/8 x 16 Gauge |
| 29 | 124236X | Cap, Parking Brake | 81 | 158461 | Shaft Asm. Cross Hydro 18" Tires |
| 30 | 130807 | Bracket, Transaxle | 82 | 123782X | Spring Torsion T/A |
| 32 | 74760512 | Bolt Hex Hd 5/16-18 Unc x 3/4 | 83 | 19171216 | Washer 17/32 x 3/4 x 16 Ga. |
| 34 | 155071 | Shaft, Foot Pedal | 84 | 158286 | Rod, Tie PVST 18" |
| 35 | 120183X | Bearing, Nylon | 86 | 71208 | Bushing Rod Strig. 629/632 ID |
| 36 | 19211616 | Washer | 87 | 19212016 | Washer 21/32 x 1-1/4 x 16 Ga. |
| 37 | 1572H | Pin, Roll | 88 | 12000008 | Ring Klip #5304-62 |
| 38 | 123674X | Pulley, Idler, Flat | 89 | 151147 | Console, Shift |
| 39 | 74760644 | Bolt | 95 | 156970 | Rod Asm Bypass PVST |
| 40 | 4470J | Spacer, Split | 96 | 4497H | Retainer Spring 1" Zinc/Cad |
| 41 | 154777 | Keeper, Belt, Idler | 100 | 19111216 | Washer 11/32 x 3/4 x 16 Ga. |
| 42 | 19131312 | Washer 13/32 x 13/16 x 12 Gauge | 113 | 127285X | Strap Torque LH LT |
| 47 | 127783 | Pulley, Idler, V-Groove | 116 | 72110610 | Bolt Rdhd Sq. Neck 3/8-16 x 1.25 |
| 48 | 154604 | Bellcrank Assembly | 118 | 154774 | Spacer Bellcrank |
| 49 | 123205X | Retainer, Belt | 121 | 154419 | Nyliner Clutching STL |
| 50 | 74760624 | Bolt | 122 | 156963 | Plate Bypass PVST |
| 51 | 73680600 | Nut Crownlock 3/8-16 UNC | 123 | 19091016 | Washer 9/32 x 5/8 x 16 Ga. |
| 52 | 73680500 | Nut, Crownlock 5/16-18 Unc | 124 | 156967 | Spring Return PVST |
| 53 | 105710X | Link, Clutch | 125 | 74780516 | Bolt Fin Hex 5/16-18 Unc x 1 |
| 55 | 105709X | Spring, Return, Clutch | 126 | 1685H | Nut Lock 5/16-18 Unc |

NOTE: All component dimensions given in U.S. inches
1 inch = 25.4 mm

REPAIR PARTS

TRACTOR - - MODEL NUMBER 917.252800

STEERING ASSEMBLY



REPAIR PARTS

TRACTOR - - MODEL NUMBER 917.252781

STEERING ASSEMBLY

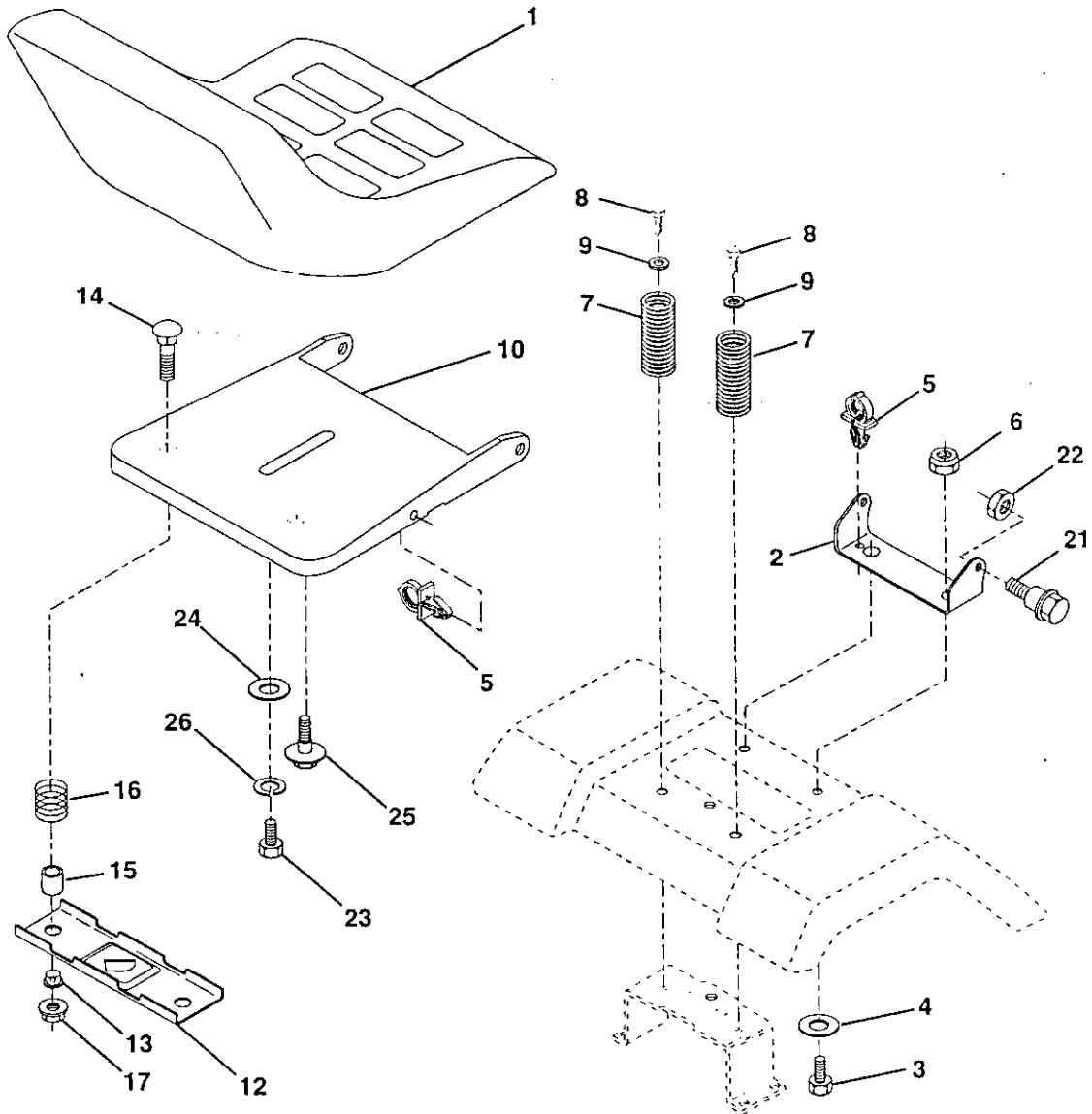
| KEY NO. | PART NO. | DESCRIPTION |
|---------|-----------|--------------------------------|
| 1 | 139768 | Wheel Steering Std Black |
| 2 | 154427 | Axle Asm Stamped Drooped Stl |
| 3 | 156483 | Spindle Asm Lh |
| 4 | 157473 | Spindle Asm Rh |
| 5 | 6266H | Bearing Race Thrust Harden |
| 6 | 121748X | Washer 25/32 x 1 5/8 x 16 Ga |
| 7 | 19272016 | Washer 27/32 x 1 1/4 x 16 Ga |
| 8 | 12000029 | Ring Klip #t5304-75 |
| 9 | 3366R | Bearing Col Strg Blk |
| 10 | 156438 | Link Drag Extended Stamped |
| 11 | STD551137 | Washer Lock Hvy Hlcl Spr 3/8 |
| 13 | 154779 | Bearing Axle STLT/GT |
| 15 | 73901000 | Locknut Flange 5/8-11 Unc |
| 17 | 156545 | Shaft Asm Strg 5/8 x 15 19 Lt |
| 18 | 57079 | Washer Thrust 515 x 750 x 033 |
| 19 | 124035X | Support Shaft |
| 20 | 126684X | Washer Shim 1/4 x 5/8 x .062 |
| 22 | 71200410 | Screw Hex Socket 1/4-20 x 5/8 |
| 23 | 127501 | Shaft Asm Pittman |
| 25 | 154406 | Bracket Steering |
| 26 | 126847X | Bushing Rod Tie Blk Lt |
| 27 | 136874 | Gear Sector |
| 28 | 19131416 | Washer 13/32 x 7/8 x 16ga |
| 29 | 17490612 | Screw Thdrol 3/8-16x3/4 Ty-tt |
| 30 | STD561210 | Pin Cotter 1/8 x 3/4 Cad |
| 32 | 130465 | Rod Tie Wire Form 19 75 Mech |
| 36 | 155099 | Bushing Strg 5/8 Id Dash |
| 37 | 152927 | Screw TT #10-32 5 3/8 Flange |
| 38 | 139769 | Insert Cap Strg Wheel Std Blk |
| 39 | 19133808 | Washer 13/32 x 2-3/8 x 8 Ga |
| 40 | STD541537 | Nut Lock Center 3/8-24unf |
| 41 | 104820X | Adaptor Wheel Strg 640/ 635id |
| 42 | 124417X | Boot Shaft Steering |
| 43 | 121749X | Washer 25/32 x 1 1/4 x 16 Ga |
| 46 | 121232X | Cap Spindle Fr Top Blk |
| 47 | 6855M | Fitting Grease |
| 62 | 156593 | Kit Steering Assembly |
| 65 | 154780 | Spacer Axle |
| 66 | 154404 | Bearing Arm Pittman |
| 67 | 74781044 | Bolt Fin Hex 5/8-11unc x 2-3/4 |
| 68 | 154429 | Brace Axle |

NOTE: All component dimensions given in U.S. inches
1 inch = 25.4 mm

REPAIR PARTS

TRACTOR - - MODEL NUMBER 917.252781

SEAT ASSEMBLY



| KEY NO. | PART NO. | DESCRIPTION |
|---------|-----------|--------------------------------|
| 1 | 140122 | Seat 3350 Blk/blk Craftsman |
| 2 | 140551 | Bracket Pnt Pivot Seat (blk) |
| 3 | STD523710 | Bolt Fin Hex 3/8-16unc X 1 |
| 4 | 19131610 | Washer 13/32 X 3/4 X 10 Ga |
| 5 | 145006 | Clip Push In Hinged |
| 6 | STD541437 | Nut Hex Lock w/Ins 3/8-16 Unc |
| 7 | 124181X | Spring Seat Cprsn 2 250 Blk Zi |
| 8 | 17490616 | Screw Thdrol-3/8-16 X 1 Ty-tt |
| 9 | 19131614 | Washer 13/32 X 1 X 14 Ga |
| 10 | 155925 | Pan Pnt Seat (blk) |
| 12 | 121246X | Bracket Pnt Mounting Switch |
| 13 | 121248X | Bushing Snap Blk Nyl 50 ld |

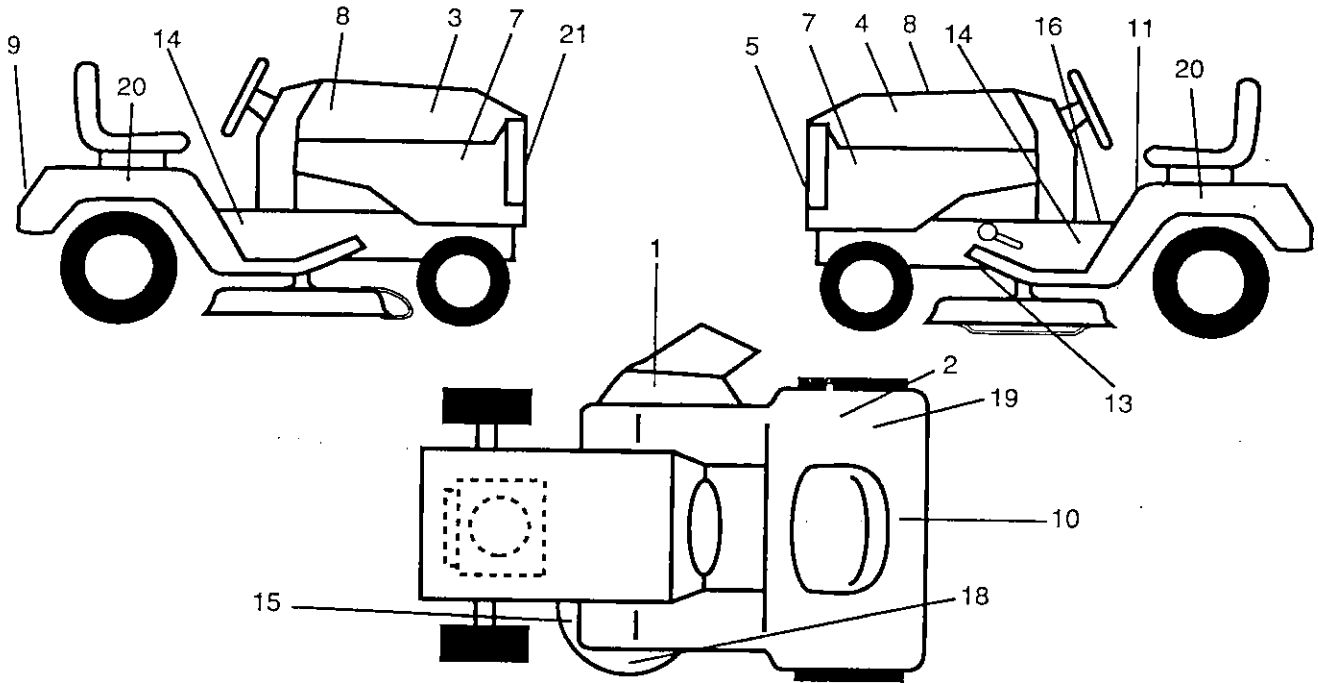
| KEY NO. | PART NO. | DESCRIPTION |
|---------|-----------|--------------------------------|
| 14 | 72050411 | Bolt Rdhd Sht Nk 1/4-20x1-3/8 |
| 15 | 134300 | Spacer Split 28 X 96 Zinc |
| 16 | 121250X | Spring Cprsn 1 27 Blk Pnt |
| 17 | 123976X | Nut Lock 1/4 Lge Flg Gr 5 Zinc |
| 21 | 153236 | Bolt Shoulder 5/16-18 Unc-2A |
| 22 | STD541431 | Nut Hex Lock w/Ins 5/16-18 |
| 23 | 74780814 | Bolt Fin Hex 1/2-13 X 7/8 Gr 5 |
| 24 | 19171912 | Washer 17/32 X 1-3/16 X 12 Ga |
| 25 | 127018X | Bolt Shoulder 5/16-18 X 62 |
| 26 | STD551150 | Washer Lock Hvy Hlcl Spr 1/2 |

NOTE: All component dimensions given in U.S. inches.
1 inch = 25.4 mm

REPAIR PARTS

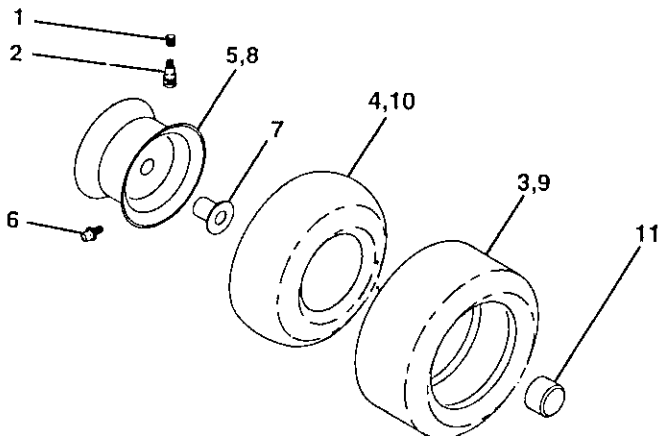
TRACTOR -- MODEL NUMBER 917.252781

DECALS



| KEY NO. | PART NO. | DESCRIPTION | KEY NO. | PART NO. | DESCRIPTION |
|---------|----------|------------------------------------|---------|----------|-----------------------------------|
| 1 | 145494 | Decal, Mower Cutting Symbol | 15 | 136832 | Decal, Mower Drive Schematic |
| 2 | 145437 | Decal, Europe Stand Ce | 16 | 140837 | Decal, Saddle Brake Parking |
| 3 | 150676 | Decal, Hood Slope Rh Craftsman | 18 | 156787 | Decal, Mower EZ3 Mulching Sears |
| 4 | 150677 | Decal, Hood Slope Lh Craftsman | 19 | 125690X | Decal, 100 DBA |
| 5 | 150680 | Decal, Grille Craftsman Slp LT Dov | 20 | 149917 | Decal, Fend Auto Trans |
| 7 | 151799 | Decal, Panel Side | 21 | 131265 | Decal, Lightbox |
| 8 | 150685 | Decal, Insert Hood | -- | 142341 | Decal, Drawbar Cntrl Mvt |
| 9 | 128314 | Decal, Fender Craftsman White | -- | 138311 | Decal, Lift Handle |
| 10 | 145005 | Decal, Btry Dngr/Psn Eng | -- | 145245 | Pad, Footrest Rbr Sq Craftsman 95 |
| 11 | 145498 | Decal, Read Owners Manual | -- | 145247 | Fastner Pop In Footrest |
| 13 | 146046 | Decal, V-belt Dr Sch Tractor | -- | 160182 | Manual, Parts |
| 14 | 151217 | Decal, Chassis 42" Hydro | -- | 159110 | Manual, Operators (Euro) |
| | | | -- | 159111 | Manual, Operators (Scan) |

WHEELS & TIRES



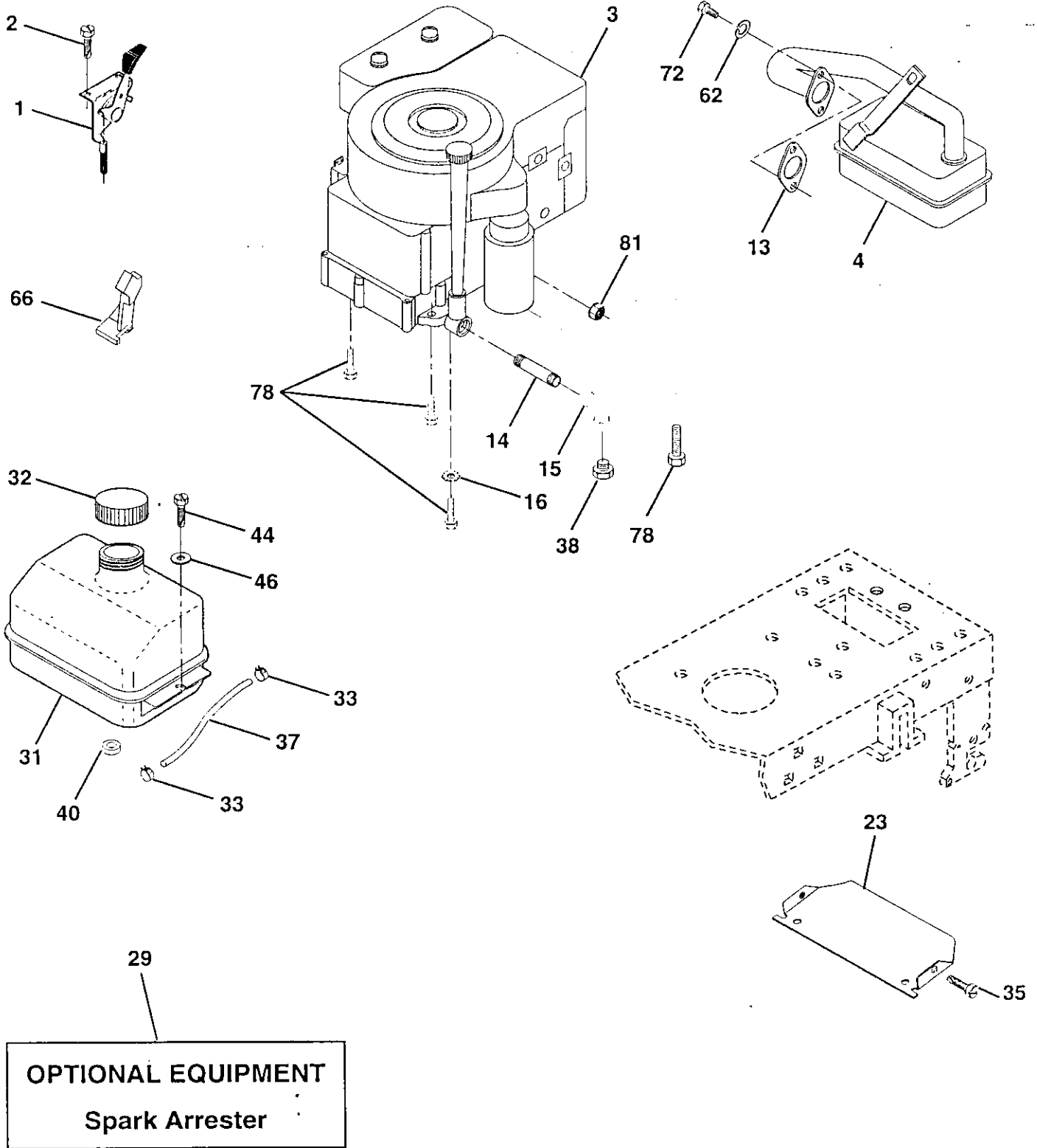
| KEY NO. | PART NO. | DESCRIPTION |
|---------|------------|--------------------------------|
| 1 | 59192 | Cap Value Tire |
| 2 | 65139 | Stem Value |
| 3 | 106222X | Tire F Ts 15 X 6 0 - 6 Service |
| 4 | 59904 | Tube Inner Front #35060 |
| 5 | 106732X427 | Rim Asm 6"front White Service |
| 6 | 278H | Fitting Grease |
| 7 | 9040H | Bearing Flange |
| 8 | 106108X427 | Rim Asm 8"rear White Service |
| 9 | 106268X | Tire R Ts 18x9 5-8 Service |
| 10 | 7152J | Tube Rear 9 5 X 8 Service |
| 11 | 104757X | Cap Axle Blk 1 50 X 1 00 |
| -- | 144334 | Sealant, Tire (10 oz. tube) |

NOTE: All component dimensions given in U.S. inches.
1 inch = 25.4 mm

REPAIR PARTS

TRACTOR - - MODEL NUMBER 917.252781

ENGINE



REPAIR PARTS

TRACTOR -- MODEL NUMBER 917.252781

ENGINE

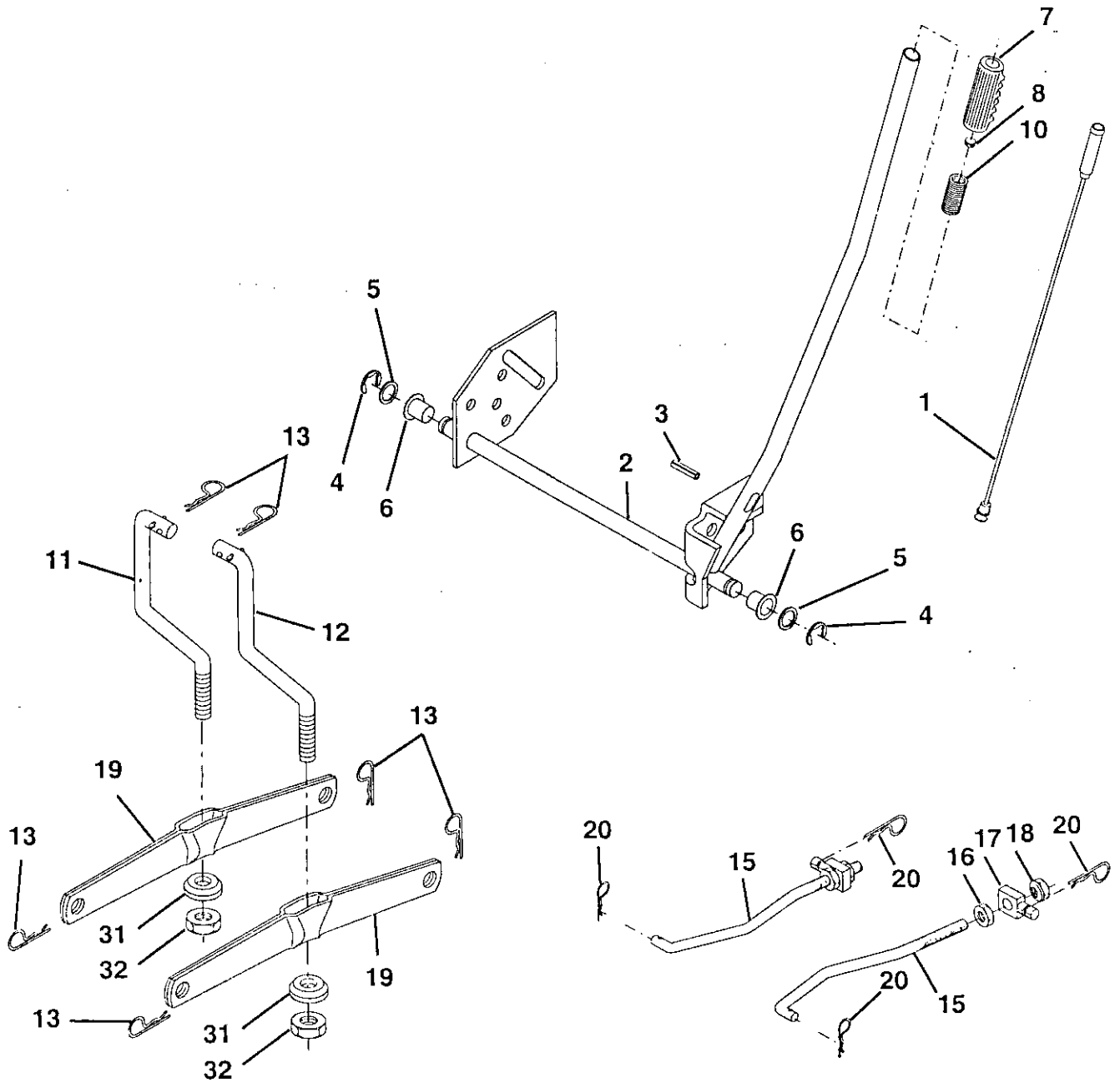
| KEY NO. | PART NO. | DESCRIPTION |
|---------|-----------|--|
| 1 | 153854 | Control Throt Pdl EEC |
| 2 | 17720410 | Screw Hex Thd Cut 1/4-20x5/8 T |
| 3 | ----- | Engine (See Breakdown) B&S Model 28N707-0173-01 |
| 4 | 137352 | Muffler Exhaust B&S Lt |
| 13 | 272293 | Gasket 1 313 Id Tin Plated |
| 14 | 13280324 | Nipple Pipe 3/8 Npt X 3" |
| 15 | 13200300 | Elbow Std 90 Degree 3/8-18 Npt |
| 16 | STD551237 | Washer Lock Ext Tooth 3/8 |
| 23 | 156123 | Shield Browning |
| 29 | 137180 | Arrestor Spark |
| 31 | 109202X | Tank Fuel 1 25 Fr |
| 32 | 123549X | Cap Asm Fuel W/sym Vented |
| 33 | 123487X | Clamp Hose Blk |
| 35 | 17490512 | Screw, Thdrol 5/16-18 x 3/4 Tyt |
| 37 | 137040 | Line Fuel 20" |
| 38 | ----- | Plug Oil Drain (Order From Engine Manufacturer) |
| 40 | 124028X | Bushing Snap Nyl Blk Fuel Line |
| 44 | 17490412 | Screw Hexwsh Thdrol 1/4-20x3/4 |
| 46 | 19091416 | Washer 9/32 X 7/8 X 16ga |
| 62 | STD551131 | Washer Lock Hvy Hlcl Spr 5/16 |
| 66 | 127951 | Stop Throttle 3000 RPM |
| 72 | 71070512 | Screw Hexhd Cap 5/16-18x3/4 |
| 78 | 17490620 | Screw Thdrol 3/8-16x1-1/4 Tytt |
| 81 | 128861 | Nut Flange 1/4-20 Starter Nut |

NOTE: All component dimensions given in U.S. inches
1 inch = 25.4 mm

REPAIR PARTS

TRACTOR - - MODEL NUMBER 917.252781

LIFT



REPAIR PARTS

TRACTOR - - MODEL NUMBER 917.252781

LIFT

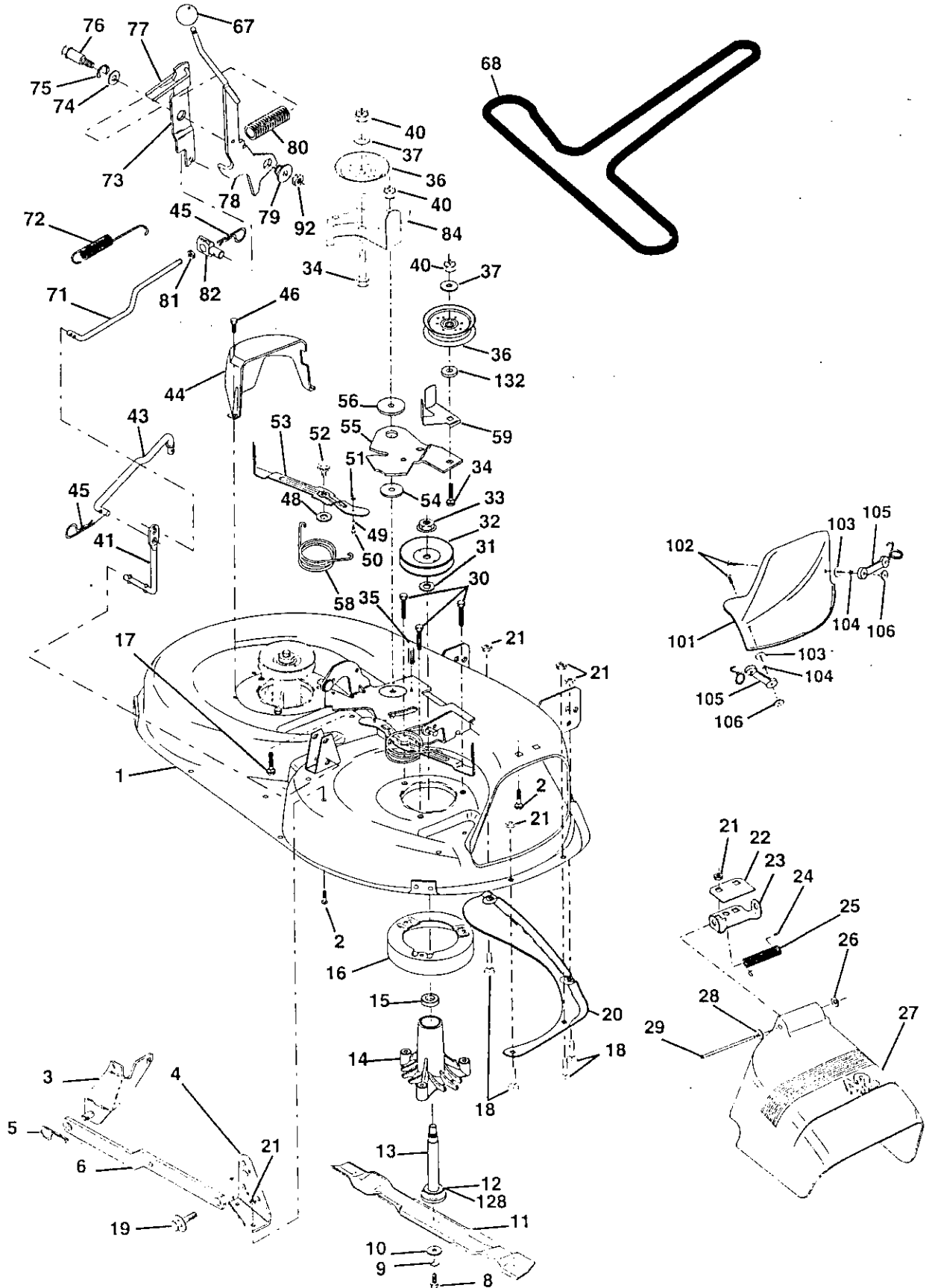
| KEY NO. | PART NO. | DESCRIPTION |
|---------|-----------|---------------------------------|
| 1 | 159460 | Wire Asm. Inner/Sprg w/Plngr Lt |
| 2 | 159474 | Shaft Asm. Lift |
| 3 | 105767X | Pin Groove |
| 4 | 12000002 | E Ring #5133-62 |
| 5 | 19211621 | Washer 21/32 x 1 x 21 Ga. |
| 6 | 120183X | Bearing Nylon |
| 7 | 125631X | Grip Handle Fluted |
| 8 | 122365X | Button Plunger Read |
| 10 | 122512X | Spring Cprsn |
| 11 | 139865 | Link Asm Lift L.H. |
| 12 | 139866 | Link Asm Lift R.H. |
| 13 | STD624008 | Retainer Spring |
| 15 | 127218 | Link Front |
| 16 | 73350800 | Nut Jam Hex 1/2-13 Unc |
| 17 | 130171 | Trunnion Blk Zinc |
| 18 | 73800800 | Nut Lock W/Wsh 1/2-13 Unc |
| 19 | 139868 | Arm Suspension Mower |
| 20 | STD624008 | Retainer Spring |
| 31 | 140302 | Bearing, Pvt. Lift. Spherical |
| 32 | 73540600 | Nut Crownlock 3/8-24 |

NOTE: All component dimensions given in U.S. inches
1 inch = 25.4 mm

REPAIR PARTS

TRACTOR - - MODEL NUMBER 917.252781

MOWER



REPAIR PARTS

TRACTOR - - MODEL NUMBER 917.252781

MOWER

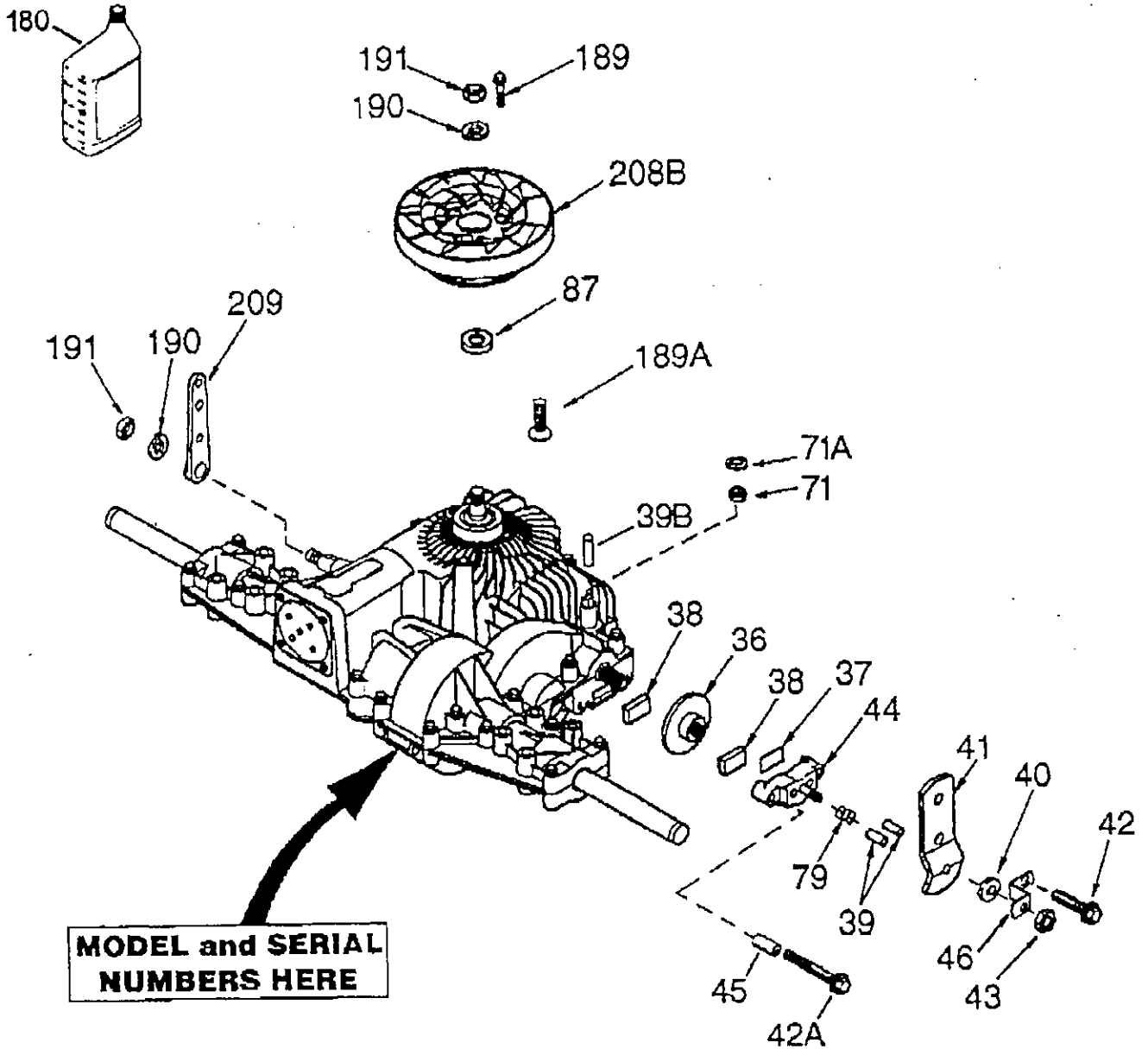
| KEY NO. | PART NO. | DESCRIPTION | KEY NO. | PART NO. | DESCRIPTION |
|---------|-----------|---|---------|------------|--|
| 1 | 144393 | Mower Housing | 48 | 133944 | Washer, Hardened |
| 2 | STD533107 | Bolt | 49 | 155066 | Roller Assembly, Cam Follower |
| 3 | 138017 | Bracket Assembly, Sway Bar, Front | 50 | 131340 | Bolt, Shoulder #10-24 Grade 5 |
| 4 | 138440 | Bracket Assembly, Sway Bar | 51 | STD541410 | Locknut |
| 5 | STD624008 | Retainer Spring | 52 | 139888 | Bolt, Shoulder 5/16-18 UNC |
| 6 | 130832 | Arm, Suspension, Rear | 53 | 131845X900 | Arm Assembly, Pad, Brake |
| 8 | 850857 | Bolt, Hex 3/8-24 x 1.25 Grade 8 | 54 | 133913 | Washer, Hardened |
| 9 | STD551137 | Washer, Lock | 55 | 155046 | Arm, Idler |
| 10 | 140296 | Washer, Hardened | 56 | 122052X | Spacer, Retainer |
| 11 | 134149 | Blade, Mulching | 58 | 140086 | Spring, Torsion Brakes 42" |
| 12 | 129895 | Bearing, Ball | 59 | 141043 | Guard, Tuv Idler (94) |
| 13 | 137645 | Shaft Assembly, Mandrel, Vented (Includes Key Number 6) | 67 | 149846 | Knob Custom Oval |
| 14 | 128774 | Housing, Mandrel, Vented | 68 | 144959 | V-Belt |
| 15 | 110485X | Bearing, Ball, Mandrel | 71 | 142427 | Rod, Clutch, Primary, with Nibs |
| 16 | 140329 | Stripper, Vented Mower Deck | 72 | 131870 | Spring, Return |
| 17 | 72110610 | Bolt, Carriage 3/8-16 x 2-1/4 | 73 | 127847 | Arm, Clutch, Secondary |
| 18 | 72140505 | Bolt, Carriage 5/16-18 x 5/8 | 74 | 121748X | Washer 25/32 x 1-5/8 x 16 Gauge |
| 19 | 132827 | Bolt, Shoulder | 75 | 12000029 | Ring, Klip |
| 20 | 136888 | Baffle, Vortex | 76 | 128903 | Bolt, Shoulder 3/8-16 UNC x 1.44 |
| 21 | STD541431 | Nut, Crownlock 5/16-18 UNC | 77 | 127845 | Keeper, Spring |
| 22 | 134753 | Stiffener Bracket | 78 | 154810 | Arm, Clutch, Primary |
| 23 | 131267 | Bracket, Deflector | 79 | 127498 | Bushing, Large, Brass |
| 24 | 105304X | Cap, Sleeve | 80 | 153701 | Spring, Mower Clutch |
| 25 | 123713X | Spring, Torsion, Deflector | 81 | 73350600 | Nut, Hex Jam 3/8-16 UNC |
| 26 | 110452X | Nut, Push | 82 | 142028 | Trunnion Adj. 94 |
| 27 | 130968 | Shield, Deflector | 84 | 158824 | Bracket Asm Idler |
| 28 | 19111016 | Washer 11/32 x 5/8 x 16 Gauge | 92 | STD541437 | Locknut, Hex W/Wsh 3/8-16 UNC |
| 29 | 131491 | Rod, Hinge | 101 | 136420 | Cover Mulching 42" Black |
| 30 | 138776 | Screw Thdrol Hex Head Zinc Mwr | 102 | 71161010 | Screw Truss Head Phil 10-24 x 5/8 |
| 31 | 129963 | Washer, Spacer | 103 | 19061216 | Washer #10 |
| 32 | 153535 | Pulley, Mandrel | 104 | 10071000 | Washer Lock #10 |
| 33 | 137266 | Nut, Toplock, Flanged | 105 | 130758 | Latch Asm Bagger |
| 34 | STD533717 | Bolt | 106 | 2029J | Nut Weld |
| 35 | 133835 | Fastner, Christmas Tree | 128 | 153390 | Washer Felt |
| 36 | 131494 | Pulley, Idler, Flat | 132 | 19132203 | Washer 13/32 x 1-3/8 x 3 Ga. |
| 37 | STD551037 | Washer 13/32 x 13/16 x 16 Ga. | -- | 130794 | Mandrel Assembly (Includes Key Numbers 8-10, 12-15, 31 and 32) |
| 40 | STD541437 | Nut, Crownlock 3/8-16 UNC | -- | 159481 | Mower Deck, Complete (Std deck - order separately mulcher plate components key nos. 101-106) |
| 41 | 133551 | Rod, Pivot, with Nibs | | | |
| 43 | 140083 | Rod, Clutch, Secondary, with Nibs | | | |
| 44 | 140088 | Guard, Mandrel, L.H. | | | |
| 45 | STD624003 | Retainer | | | |
| 46 | 137729 | Screw, Thd. Roll 1/4-20 x 5/8 | | | |

NOTE: All component dimensions given in U.S. inches
1 inch = 25.4 mm.

REPAIR PARTS

TRACTOR - - MODEL NUMBER 917.252781

PEERLESS TRANSAXLE - MODEL NUMBER 205-027B



REPAIR PARTS

TRACTOR - - MODEL NUMBER 917.252781

PEERLESS TRANSAXLE - MODEL NUMBER 205-027B

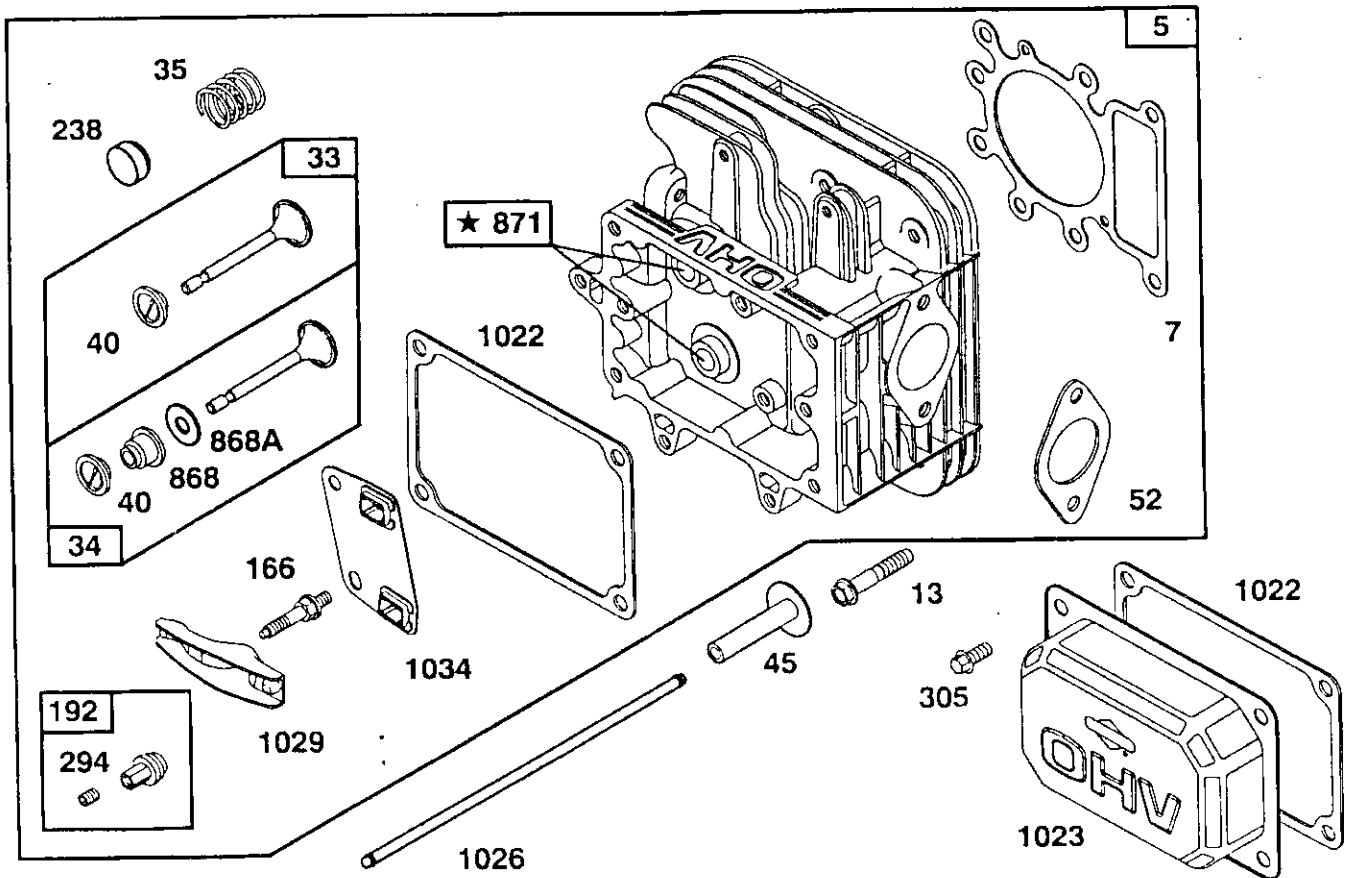
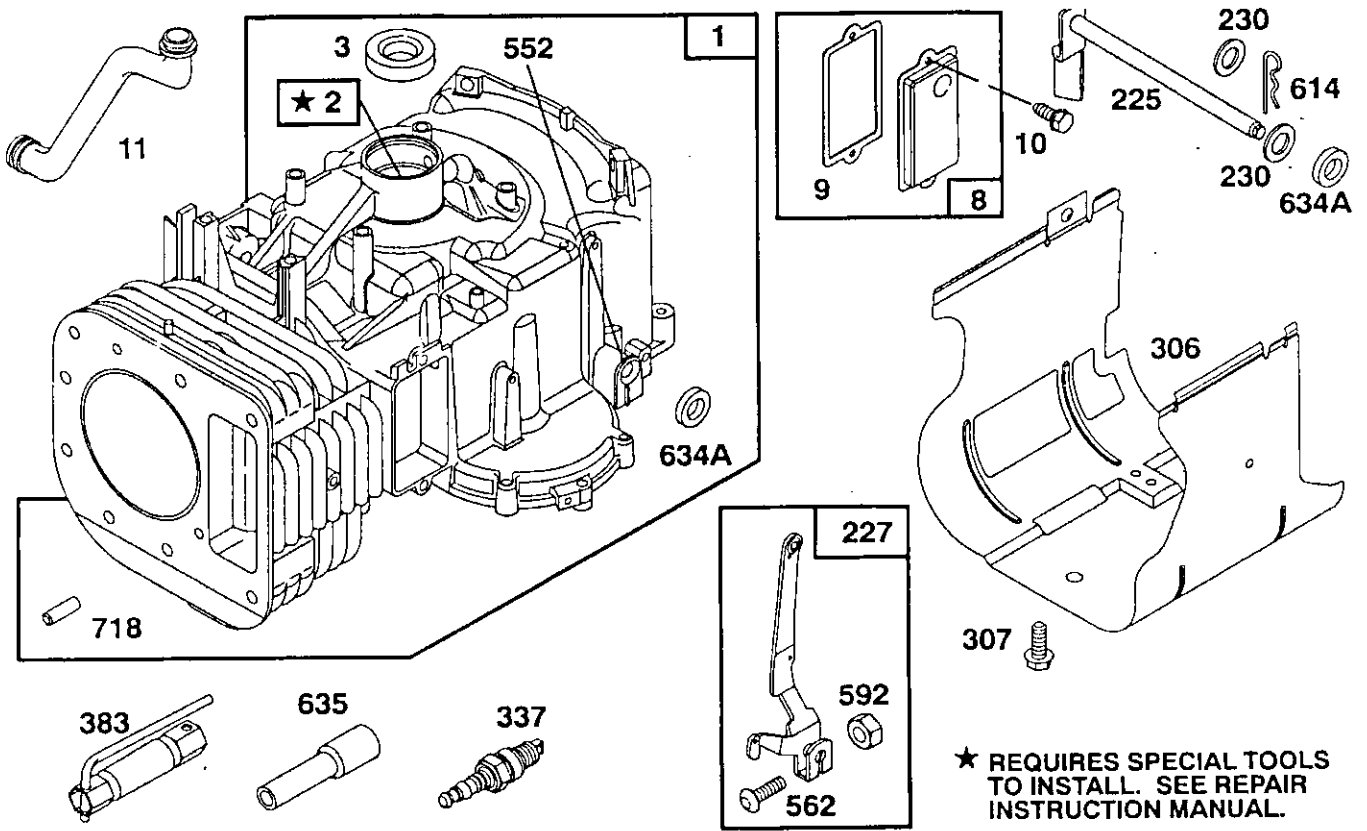
| REF PART NO. NO. | DESCRIPTION |
|---------------------|---------------------------------|
| 36 790075 | Brake Disc |
| 37 790007 | Brake Pad Plate |
| 38 799021 | Brake Pad (pkg of 2) |
| 39 786026 | Dowel Pin |
| 39B 798033 | Belt Guard |
| 40 792076A | Flat Washer |
| 41 790085 | Brake Lever |
| 42 792073 | Screw, 1/4-20 x 1-1/4" |
| 42A 792085A | Screw, 1/4-20 x 2-1/4" |
| 43 792075 | Locknut, 5/16-24 |
| 44 790025 | Brake Pad Holder |
| 45 786066 | Spacer |
| 46 790086 | Brake Lever Bracket |
| 71 788069 | Square Cut Ring |
| 71A 792162 | Pushnut, 9/16" |
| 79 792144 | Spring |
| 87 788035 | Oil Seal, 5/8" |
| 180 730229A | Gear Oil 80W90 |
| 189 792168 | Drive Screw #6 x 1/2" |
| 189A 792169 | Screw, 10-32 x 1/2" |
| 190 792150 | Lockwasher |
| 191 792151 | Nut, 7/16-20 |
| 208B 798025 | Fan/Coupling (Incl. 189 & 189A) |
| 209 798024 | Control Lever |

Parts must be ordered from Tecumseh Products Co.
NOTE: All component dimensions given in U.S. inches
1 inch = 25.4 mm

REPAIR PARTS

TRACTOR - - MODEL NUMBER 917.252781

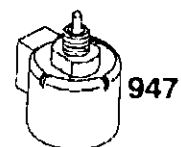
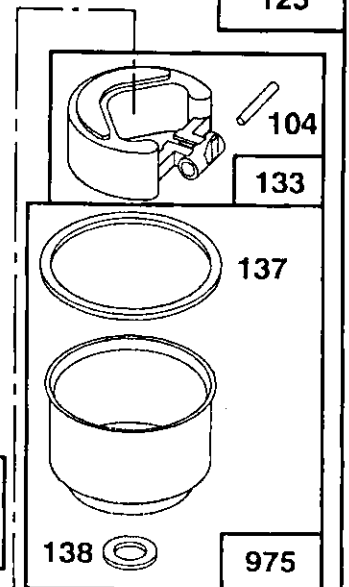
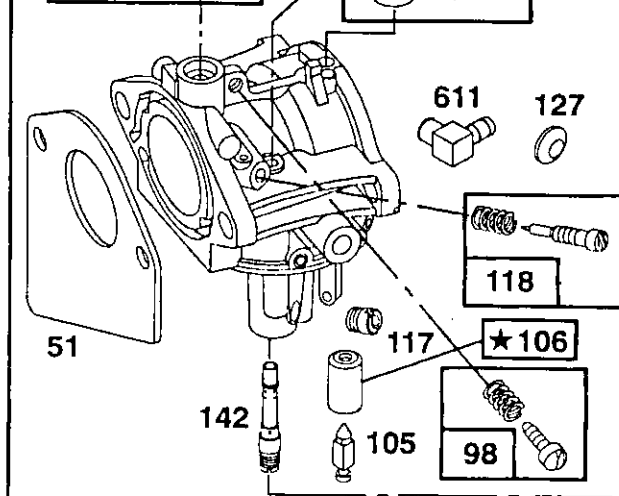
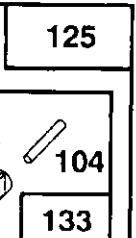
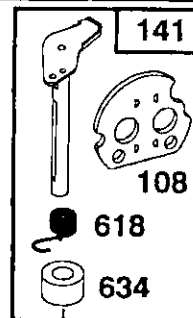
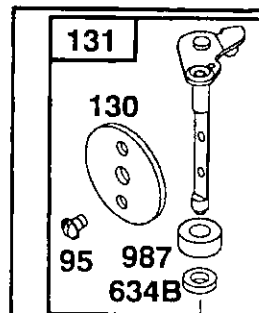
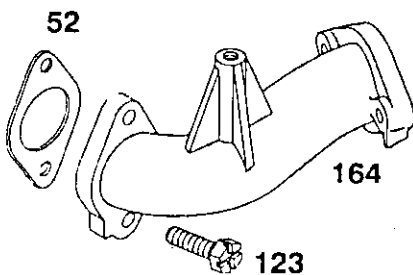
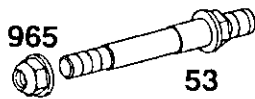
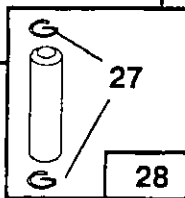
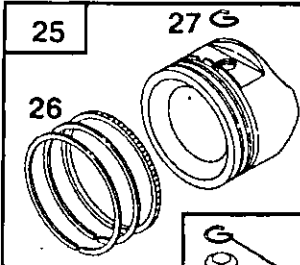
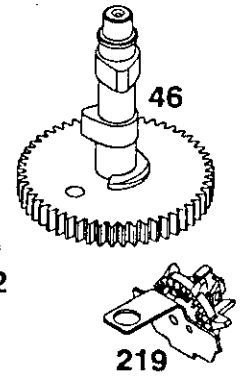
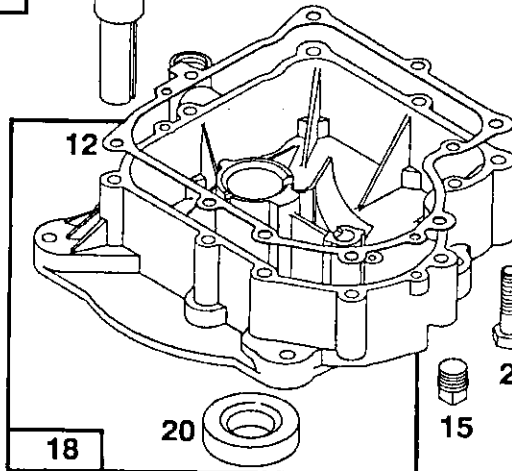
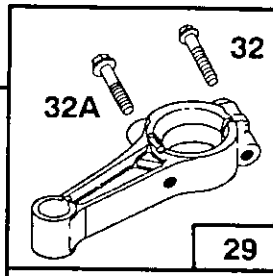
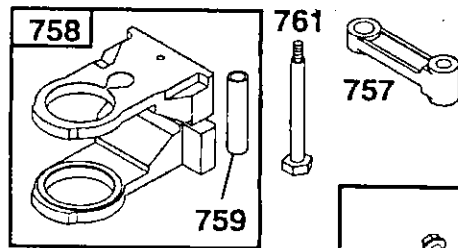
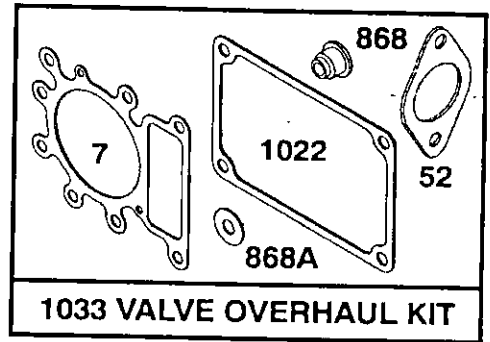
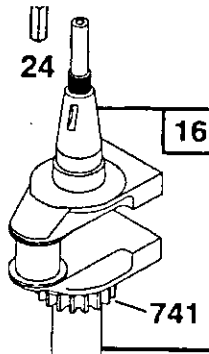
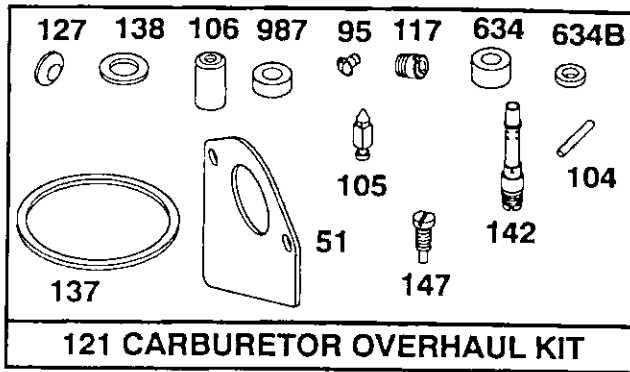
BRIGGS & STRATTON ENGINE - MODEL NUMBER 28N707, TYPE NUMBER 0173-01



REPAIR PARTS

TRACTOR -- MODEL NUMBER 917.252781

BRIGGS & STRATTON ENGINE - MODEL NUMBER 28N707, TYPE NUMBER 0173-01

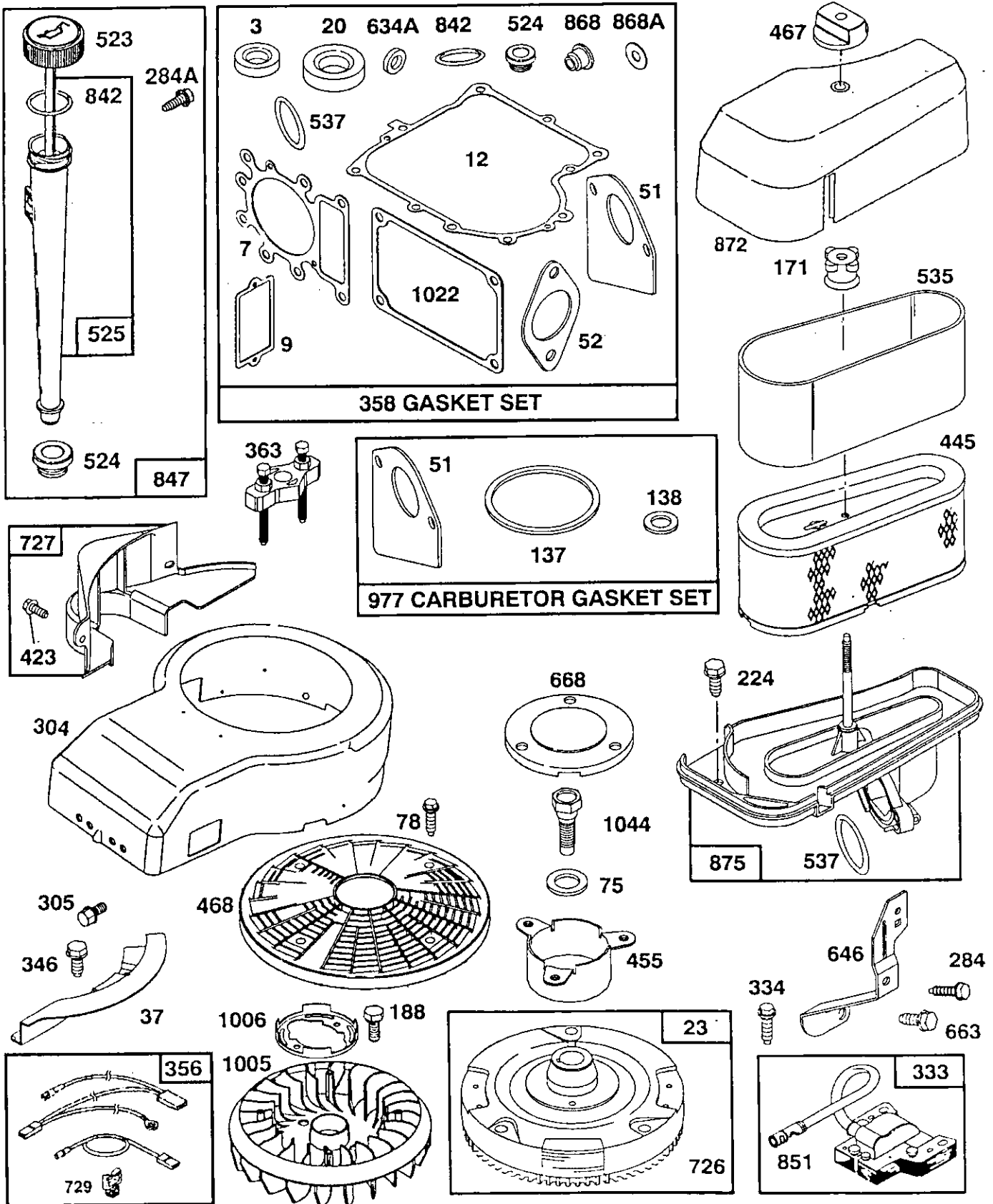


★ REQUIRES SPECIAL TOOLS TO INSTALL. SEE REPAIR INSTRUCTION MANUAL.

REPAIR PARTS

TRACTOR - - MODEL NUMBER 917.252781

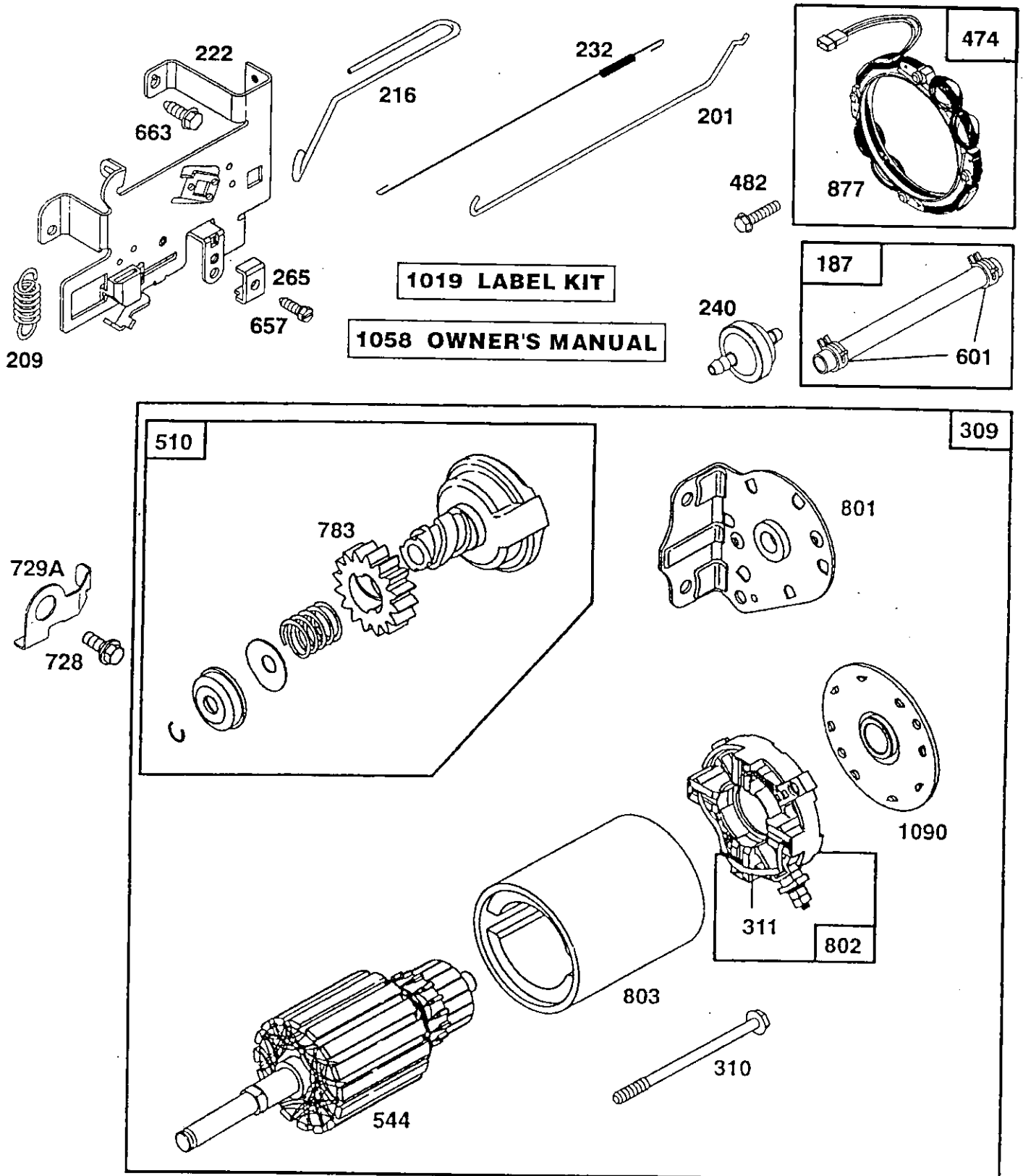
BRIGGS & STRATTON ENGINE - MODEL NUMBER 28N707, TYPE NUMBER 0173-01



REPAIR PARTS

TRACTOR - - MODEL NUMBER 917.252781

BRIGGS & STRATTON ENGINE - MODEL NUMBER 28N707, TYPE NUMBER 0173-01



REPAIR PARTS

TRACTOR - - MODEL NUMBER 917.252781

BRIGGS & STRATTON ENGINE - MODEL NUMBER 28N707, TYPE NUMBER 0173-01

| KEY PART NO. | NO. | DESCRIPTION | KEY PART NO. | NO. | DESCRIPTION |
|--------------|--------|---|--------------|--------|--|
| 1 | 496412 | Cylinder Assembly | 95 | 94098 | ** Screw, Throttle |
| 2 | 399265 | Bearing, Cylinder | 98 | 495800 | Screw, Idle Speed |
| 3 | 391086 | * Seal, Oil | 104 | 231789 | ** Pin, Float Hinge |
| 5 | 495858 | Head, Cylinder | 105 | 231855 | ** Valve Float |
| 7 | 272614 | *** Gasket, Cylinder Head | 106 | 231854 | ** Seat, Inlet Valve |
| 8 | 495735 | Breather Assembly | 108 | 224540 | Valve, Choke |
| 9 | 27803 | * Gasket, Valve Cover | 117 | 231853 | ** Jet, Needle Valve |
| 10 | 94621 | Screw, Sems | 118 | 495932 | Valve, Needle |
| 11 | 281246 | Tube, Breather | 121 | 498116 | Carburetor Overhaul Kit |
| 12 | 271916 | * Gasket, Crankcase Cover, .015" | 123 | 94616 | Screw, Elbow Mounting |
| | 271997 | * Gasket, Crankcase Cover, .005" | 125 | 498051 | Carburetor Assembly |
| | 271996 | * Gasket, Crankcase Cover, .009" | 127 | --- | ** Plug, Welch (Sold in Kit Only) |
| 13 | 94728 | Screw, Cylinder Head | 130 | 224539 | Valve, Throttle |
| 15 | 94239 | Plug, Oil Drain | 131 | 494379 | Shaft and Lever, Throttle |
| 16 | 495162 | Crankshaft | 133 | 494381 | Float, Carburetor |
| | 94196 | Timing Gear Key | 137 | 281165 | **** Gasket, Float Bowl |
| 18 | 494238 | Base, Engine | 138 | 281164 | **** Washer, Bowl |
| 20 | 291675 | * Seal, Oil | 141 | 495931 | Shaft and Lever, Choke |
| 22 | 94624 | Screw, Sems, Base Mounting | 142 | 231859 | ** Nozzle, Carburetor |
| 23 | 492326 | Flywheel and Ring Gear Assembly, Magneto | 147 | 497472 | ** Pilot, Jet |
| 24 | 222698 | Key, Flywheel | 164 | 214047 | Elbow, Carburetor |
| 25 | 495860 | Piston Assembly, Standard Size | 166 | 94555 | Stud, Rocker Arm |
| | 495977 | Piston Assembly, .010" Oversize | 171 | 281051 | Nut, Air Cleaner Mounting |
| | 495978 | Piston Assembly, .020" Oversize | 187 | 393815 | Line, Fuel (11" Long, Cut to Suit) |
| | 495979 | Piston Assembly, .030" Oversize | 188 | 94627 | Screw, Sems |
| 26 | 495854 | Ring Set, Piston, Standard Size | 192 | 492160 | Screw Assembly, Rocker Arm |
| | 495852 | Ring Set, Piston, .010" Oversize | 201 | 262767 | Link, Governor |
| | 495851 | Ring Set, Piston, .020" Oversize | 209 | 260695 | Spring, Governor |
| | 495855 | Ring Set, Piston, .030" Oversize | 216 | 262766 | Link, Choke |
| 27 | 260924 | Lock, Piston Pin | 219 | 490815 | Gear, Governor |
| 28 | 299691 | Pin Assy., Piston, Standard Size | 222 | 495611 | Plate, Governor Control |
| | 391286 | Pin Assy., Piston, .005" Oversize | 224 | 94729 | Screw, Sems, Air Cleaner |
| 29 | 494504 | Rod Assembly, Connecting | 225 | 495157 | Crank, Governor |
| | 495490 | Rod Assembly, Connecting, .020" Undersize Crankpin Bore | 227 | 493935 | Lever Assembly, Governor |
| 32 | 94695 | Screw, Hex Washer Head, 1-57/64 | 230 | 94742 | Washer, Governor Crank |
| 32A | 94648 | Screw, Hex Washer Head, 1-5/8 | 232 | 262785 | Spring, Governor Link |
| 33 | 495856 | Valve, Exhaust | 238 | 262836 | Cap, Valve |
| 34 | 495857 | Valve, Intake | 240 | 394358 | Filter, Fuel (In Fuel Line) |
| 35 | 262811 | Spring, Valve | 265 | 221535 | Clamp, Casing |
| 37 | 224502 | Guard, Flywheel | 284 | 94704 | Screw, Hex Head |
| 40 | 224641 | Retainer, Valve Spring | | | * Included in Gasket Set (495993) |
| 45 | 262411 | Tappet, Valve | | | ** Included in Carburetor Kit (497535) |
| 46 | 496884 | Gear, Cam | | | *** Included in both Gasket Set (495993) and Valve Overhaul Kit (495992) |
| 51 | 272465 | **** Gasket, Carburetor (Carburetor to Elbow) (Also Included in Gasket Set, Part Number 495993) | | | **** Included in Gasket Set (495993), Carburetor Kit (497535) and Carburetor Gasket Set (494385) |
| 52 | 272569 | *** Gasket, Carburetor (Elbow to Cylinder) | | | |
| 53 | 94637 | Stud, Carburetor Mounting | | | |
| 75 | 224061 | Washer, Spring | | | |
| 78 | 94832 | Screw, Pan Head | | | |

NOTE: All component dimensions given in U.S. inches
1 inch = 25.4 mm

REPAIR PARTS

TRACTOR - - MODEL NUMBER 917.252781

BRIGGS & STRATTON ENGINE - MODEL NUMBER 28N707, TYPE NUMBER 0173-01

| KEY PART NO. NO. | DESCRIPTION | KEY PART NO. NO. | DESCRIPTION |
|------------------|--|------------------|-----------------------------------|
| 284A 94073 | Screw, Hex Head | 729A 225170 | Retainer, Wire |
| 294 810068 | Screw, Set | 741 262932 | Gear, Timing |
| 304 496280 | Housing, Blower | 757 213998 | Link, Counterweight |
| 305 94786 | Screw, Hex, Head, Blower Housing Mounting | 758 399891 | Counterweight Assembly |
| 306 225020 | Shield, Cylinder | 759 298909 | Pin, Counterweight |
| 307 94386 | Screw, Cylinder Shield | 761 94593 | Screw, Counterweight |
| 309 497595 | Motor, Starter | 783 280104 | Gear, Starter |
| 310 497602 | Bolt, Thru | 801 394856 | Cap, Drive |
| 311 497608 | Brush Set | 802 497605 | Cap, End |
| 333 495859 | Armature, Magneto | 803 497604 | Housing, Starter |
| 334 93381 | Screw, Sems, Armature Mounting | 842 270920 | * Seal, Oil Filler Cap |
| 337 491055 | Plug, Spark | 847 496415 | Fill Group, Oil |
| 346 93705 | Screw, Hex Head | 851 224110 | Terminal, Ignition Cable |
| 356 497708 | Wire Assembly | 868 494435 | *** Seal Assembly, Valve |
| 358 495993 | Gasket Set | 868A 272610 | *** Gasket, Valve |
| 363 19203 | Puller, Flywheel | 871 262835 | Bushing, Guide (Intake & Exhaust) |
| 383 89838 | Wrench, Spark Plug | 872 281361 | Cover, Air Cleaner |
| 423 94073 | Screw, Sems | 875 495862 | Body, Air Cleaner |
| 445 493909 | Cartridge, Air Cleaner | 877 393456 | Diode and Connector Assembly |
| 455 222561 | Cup, Screen Mounting | 947 497157 | Solenoid |
| 467 493903 | Knob, Air Cleaner | 965 94010 | Nut, Hex |
| 468 494439 | Screen, Flush Rotating | 975 495933 | Bowl Assembly, Carburetor |
| 474 393474 | Stator, Alternator | 977 494385 | Carburetor Gasket Set |
| 482 93621 | Screw, Sems | 987 281166 | ** Seal, Throttle Shaft |
| 510 497606 | Drive, Starter | 1005 281400 | Fan, Flywheel |
| 523 495230 | Cap and Dipstick, Oil Filler | 1006 224413 | Retainer, Fan |
| 524 68838 | * Seal, Filler Tube | 1019 496758 | Label Kit |
| 525 496113 | Tube, Oil Filler | 1022 272475 | *** Gasket, Cover |
| 535 272403 | Element, Filter | 1023 224552 | Cover, Rocker Arm |
| 537 281106 | * O-Ring, Air Cleaner | 1026 494432 | Rod, Push, Intake |
| 544 497603 | Armature, Starter | 495136 | Rod, Push, Exhaust |
| 552 231597 | Bushing, Governor Crank | 1029 224554 | Arm, Rocker |
| 562 92613 | Bolt, Carriage | 1033 495992 | Valve Overhaul Kit |
| 592 231082 | Nut, Hex | 1034 495248 | Guide Assembly, Push Rod |
| 601 93053 | Clamp, Fuel Pipe | 1044 94673 | Screw, Hex Head |
| 611 493496 | Elbow, Fuel Pipe | 1054 270723 | Tie, Cable |
| 614 93306 | Pin, Cotter | 1058 272623 | Manual, Owner's |
| 618 262803 | Spring, Choke Return | 1090 497607 | Retainer, Brush |
| 634 281168 | ** Seal, Choke Shaft | | |
| 634A 491323 | * Seal, Governor | | |
| 634B 281167 | ** Washer, Throttle Shaft | | |
| 635 280872 | Boot, Spark Plug | | |
| 646 224546 | Brace, Air Cleaner | | |
| 657 93496 | Screw, Sems | | |
| 663 94620 | Screw, Self-Tapping | | |
| 668 280848 | Spacer | | |
| 718 230192 | Pin, Dowel | | |
| 726 392134 | Gear, Ring (Includes Mounting Hardware) | | |
| 727 490324 | Cover, Starter | | |
| 728 94627 | Screw, Hex Head | | |
| 729 281390 | Clip, Wire | | |

RPM Settings: Low: 1650-1850, High: 3200-3400

* Included in Gasket Set (495993)

** Included in Carburetor Kit (497535)

*** Included in both Gasket Set (495993) and Valve Overhaul Kit (495992)

**** Included in Gasket Set (495993), Carburetor Kit (497535) and Carburetor Gasket Set (494385)

NOTE: All component dimensions given in U.S. inches
1 inch = 25.4 mm

SERVICE NOTES

CRAFTSMAN®

IMPORT

Max & ERIK PEDERSEN
Aabyvej 69
DK-8230 Aabyhøj - Aarhus

Telefon 86-15 44 44
Fax 86-15 41 88

FORHANDLER

