

REPAIR PARTS MANUAL
MODEL NO. 253240
Lawn Tractor



HOW TO USE THIS MANUAL

This manual is designed to provide the customer with a means to identify the parts on his/her tractor when ordering repair parts. The illustrations may or may not represent the actual assemblies; therefore, it is not recommended to use this manual as a guide to assemble or disassemble the tractor. Some hardware and parts are drawn larger in order to more readily identify them.

Each tractor has its own model number.

The model number for your tractor can be found on the fender under the seat.

When ordering parts, always give the following information:

- Product - Lawn Tractor
- MODEL NUMBER - 253240
- Part Number
- Part Description

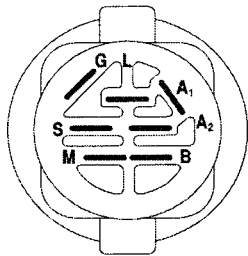
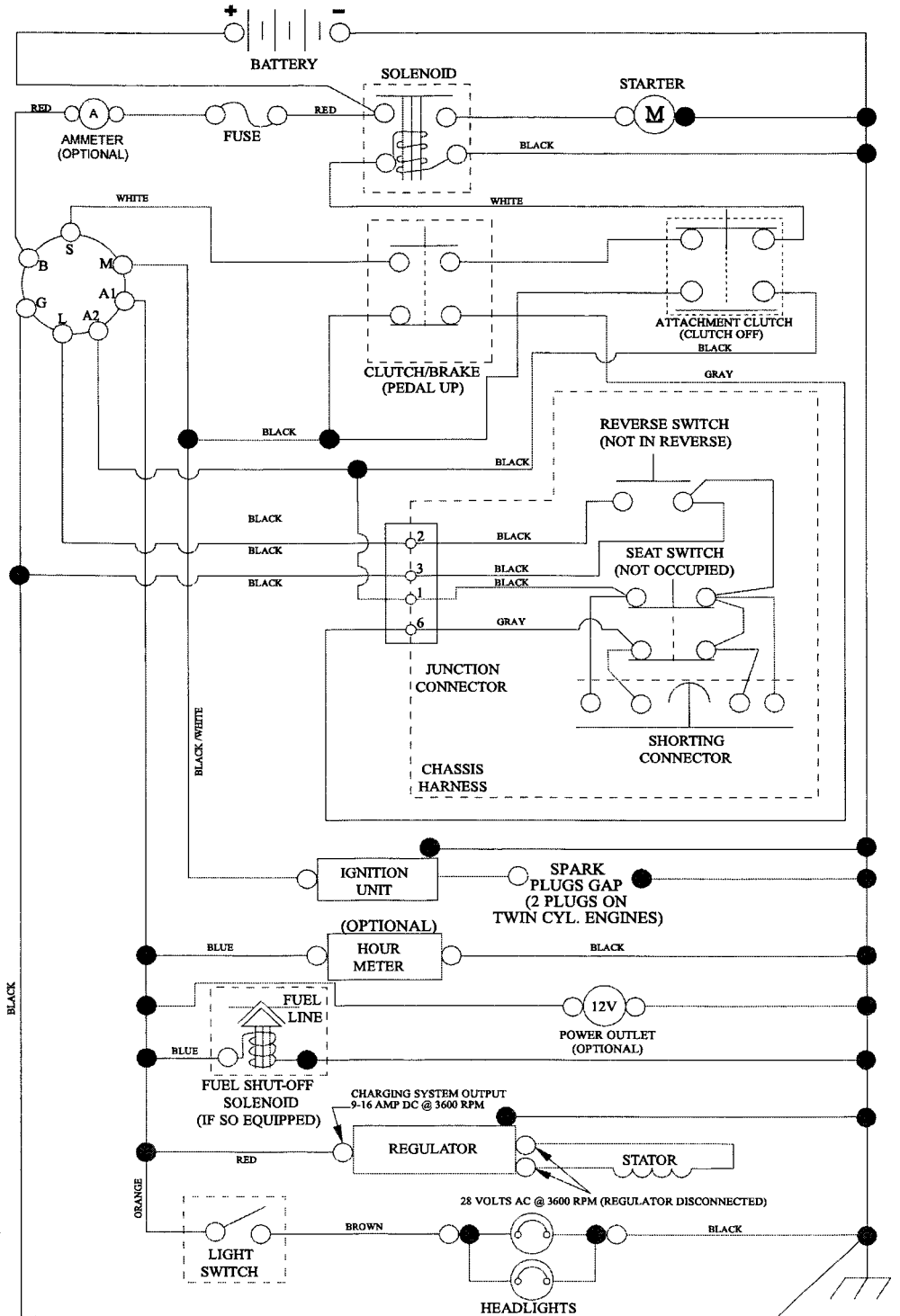
TABLE OF CONTENTS

| | |
|----------------------------------|--------------|
| SCHEMATIC | 3 |
| ELECTRICAL..... | 4-5 |
| CHASSIS | 6-7 |
| DRIVE..... | 8-9 |
| ENGINE..... | 10-11 |
| STEERING | 12 |
| SEAT | 13 |
| MOWER DECK | 14-15 |
| DECALS..... | 16 |
| MOWER LIFT..... | 17 |
| TRANSAXLE BREAKDOWN | 18-19 |
| ENGINE BREAKDOWN..... | 20-24 |
| WARRANTY..... | 25 |

TRACTOR -- MODEL NUMBER 917.253240

SCHEMATIC

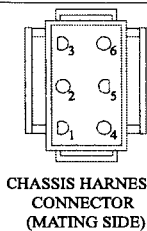
SCH10



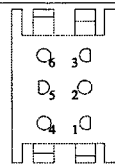
IGNITION SWITCH

| POSITION | CIRCUIT "MAKE" |
|--------------|----------------|
| OFF | M+G+A1 |
| RUN/OVERRIDE | B+A1 |
| RUN | B+A1 L+A2 |
| START | B + S + A1 |

03107



CHASSIS HARNESS CONNECTOR (MATING SIDE)



DASH HARNESS CONNECTOR (MATING SIDE)

WIRING INSULATED CLIPS
NOTE: IF WIRING INSULATED CLIPS WERE REMOVED FOR SERVICING OF UNIT, THEY SHOULD BE RE-INSTALLED TO PROPERLY SECURE YOUR WIRING.

●
NON-REMOVABLE CONNECTIONS

○
REMOVABLE CONNECTIONS

ELECTRICAL

TRACTOR - - MODEL NUMBER 917.253240

| KEY NO. | PART NO. | DESCRIPTION |
|---------|-----------|-------------------------------|
| 1 | 144927 | Battery |
| 2 | 74760412 | Bolt Hex Head 1/4-20 x 3/4 |
| 8 | 186491 | Box Battery |
| 16 | 176138 | Switch Interlock Push-In |
| 21 | 400252 | Harness Socket Light w/4152J |
| 22 | 4152J | Bulb Light |
| 24 | 400253 | Cable Battery |
| 25 | 412895 | Cable Starter |
| 26 | 175158 | Fuse |
| 27 | STD541425 | Nut Keps Hex 1/4-20 unc |
| 28 | 145491 | Cable, Ground |
| 29 | 401545 | Switch, Seat |
| 30 | 193350 | Switch, Ignition |
| 33 | 411934 | Key, Chain |
| 34 | 110712X | Switch Light/Reset |
| 40 | 401098 | Harness Ignition Dash |
| 41 | 17720408 | Screw Thd. Cut 1/4-20 x 1/2 |
| 42 | 131563 | Cover, Terminal |
| 43 | 192507 | Solenoid |
| 46 | 413931 | Gauge Hourmeter |
| 55 | 17060512 | Screw 5/16-18 x 3/4 |
| 71 | 194276 | Harness Ignition |
| 79 | 175242 | Socket Asm. Bulb Twistlock |
| 87 | 197802 | Switch Interlock Clutch Cable |
| 90 | 400724 | Cover Terminal Battery |
| 91 | 190270 | Strap Battery |
| 99 | 17670412 | Screw 1/4-20 x 7/8 x 16 Ga. |
| 100 | 19061416 | Washer 9/32 x 7/8 x 16 Ga. |
| 141 | 416977 | Kit T2 ROS |

NOTE: All component dimensions give in U.S. inches
1 inch = 25.4 mm

TRACTOR - - MODEL NUMBER 917.253240

CHASSIS ASSEMBLY

| KEY NO. | PART NO. | DESCRIPTION |
|---------|------------|---|
| 2 | 194263 | Drawbar |
| 5 | 407235X428 | Dash |
| 14 | 404654X612 | Hood |
| 18 | 405013 | Grille Asm. (Includes Key Nos. 153, 207, 208 and 226) |
| 36 | 17060512 | Screw 5/16-18 x 3/4 |
| 37 | 414878X612 | Fender |
| 68 | 17490508 | Screw Thdrol. 5/16-18 x 1/2 |
| 130 | 416358 | Screw #10 x 0.750 BOS Thread |
| 138 | 193224X428 | Cupholder |
| 150 | 199411 | Duct Heat Hood |
| 151 | 196332 | Bracket Pivot |
| 152 | 194329 | Shield Browning/Debris |
| 153 | 198965 | Lens |
| 159 | 17000612 | Screw Hex Wsh. Thdrol. 3/8-16 x 3/4 |
| 161 | 193229X428 | Window Fuel |
| 162 | 142432 | Screw Hex Wsh. Hi-Lo 1/4 x 1/2 unc |
| 165 | 194330 | Support Tank Rear |
| 175 | 196304 | Crossmember |
| 176 | 400776 | Screw 10-24 x 5/8 Wshd. Qdrc. |
| 177 | 195227 | Bushing Steering |
| 180 | 194260 | Chassis |
| 181 | 193102X428 | Bushing Mtg. Fender Crgo. |
| 182 | 406859 | Dash Lower |
| 183 | STD523112 | Bolt Fin. Hex 5/16-18 x 1-1/4 |
| 194 | 73900500 | Nut Lock Hex Flange 5/16-18 |
| 195 | 401556x428 | Plug Hole Dash |
| 196 | 414579 | Console Asm. Deck Lift |
| 202 | 198968X428 | Vent Side Hood RH |
| 203 | 198969X428 | Vent Side Hood LH |
| 207 | 198963 | Bezel RH |
| 208 | 198964 | Bezel LH |
| 217 | 409167 | Rod Pivot Chassis |
| 225 | 198962X612 | Bumper |
| 226 | 198967X428 | Logo |
| 228 | 195161 | Stud Fastener |
| 230 | 170165 | Bolt Shoulder 5/16-18 |
| 235 | 406129 | Spacer Fender |
| 236 | 73930500 | Nut Lock 5/16-18 unc |
| 237 | 403704 | Plug Mount Cargo |
| 287 | 17600406 | Screw 1/4-20 x 3/8 |

NOTE: All component dimensions give in U.S. inches
1 inch = 25.4 mm

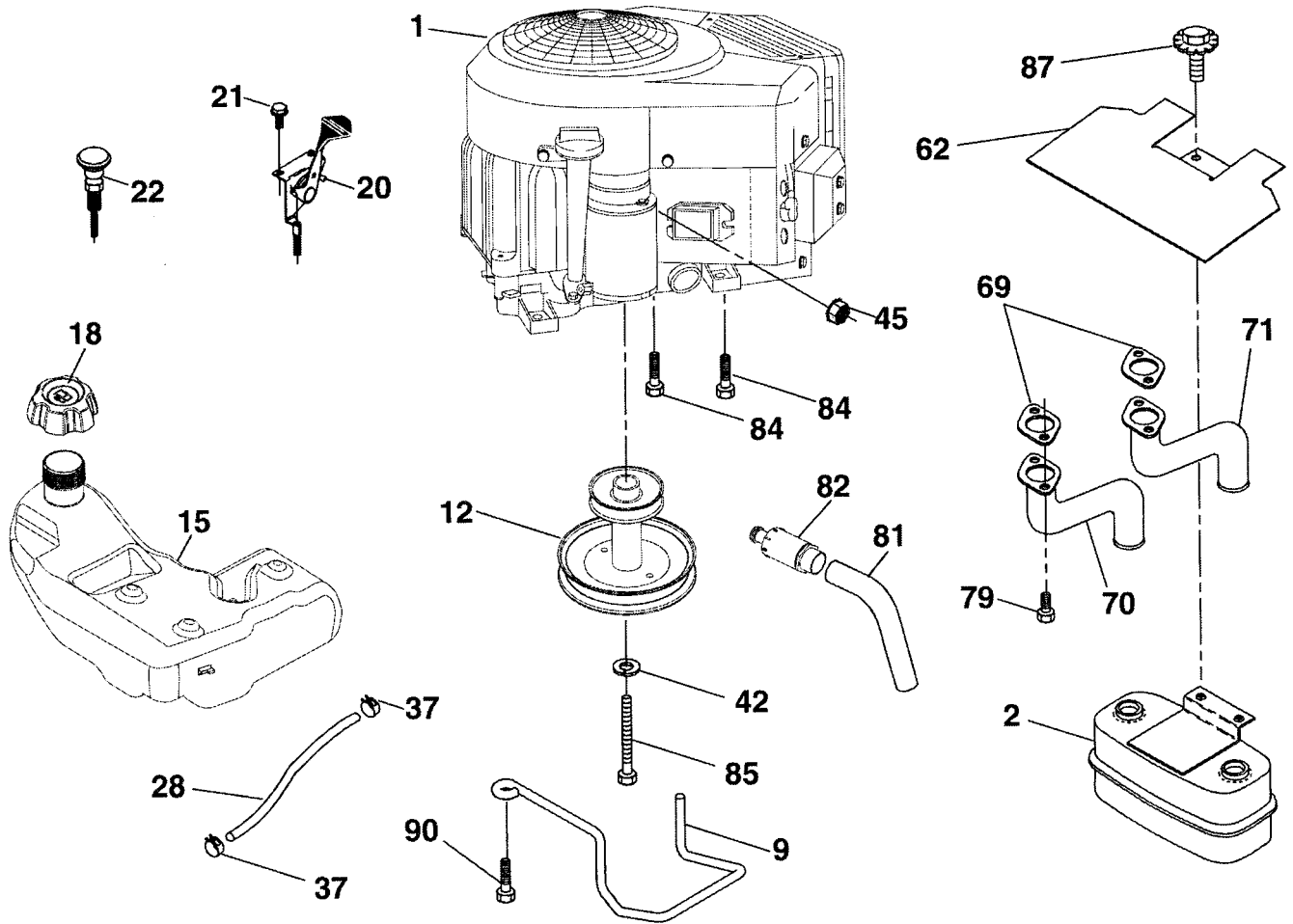
TRACTOR - - MODEL NUMBER 917.253240**GROUND DRIVE**

| KEY NO. | PART NO. | DESCRIPTION |
|----------------|-----------------|-----------------------------------|
| 1 | 410043 | Transaxle, Hydro GR T2 |
| 2 | 123583X | Key |
| 15 | 19131316 | Washer 13/32 x 13/16 x 16 Ga. |
| 17 | 197296 | Spring, Brake |
| 26 | 199679 | Spring Return Cruise |
| 29 | 408391 | Rod, Brake |
| 33 | 12000001 | Ring E |
| 35 | 199591 | Rod, Brake, Park |
| 37 | 121749x | Washer 25/32 x 1-1/4 x 16 Ga. |
| 42 | 8883R | Cover, Foot Pedal |
| 49 | 72110614 | Bolt |
| 50 | 194327 | Pulley Idler Flat |
| 51 | 73900600 | Lock Nut 3/8-16 |
| 52 | 194326 | Idler V-Groove 910" Offset |
| 56 | 125907x | V-Belt, Drive |
| 64 | 197865 | Shaft Asm. Pedal Brake Control |
| 73 | 74490544 | Bolt Hex Flghd. 5/16-18 Gr. 5 |
| 80 | 408393 | Strap Torque |
| 92 | 74760520 | Bolt Fin. Hex 5/16-18 unc x 1.25 |
| 99 | 408418 | Rod Asm. Bypass |
| 114 | 73930500 | Nut Center Lock 5/16-18 unc |
| 116 | 73900500 | Nut Lock Hex Flange 5/16-18 |
| 121 | 175611 | Bracket Mount Torque |
| 122 | 74780520 | Bolt Fin. Hex 5/16-18 unc x 1-1/4 |
| 125 | 17000512 | Screw 5/16-18 x 3/4 |
| 153 | 4497H | Retainer Spring |
| 159 | 76020412 | Pin Cotter 1/8 x 3/4 |
| 160 | 169484 | Retainer Clip |
| 161 | 105709x | Spring, Return, Clutch |
| 162 | 408784 | Adapter Transaxle |
| 163 | 413322 | Rod Pedal Control |
| 166 | 197290 | Nut, Push |
| 167 | 405257 | Latch Brake Parking |
| 170 | 413430 | Keeper Belt Centerspan |
| 171 | 72110622 | Bolt |
| 183 | 156972 | Spacer Axle |
| 184 | 196439X505 | Handle Parking Brake |
| 185 | 72110620 | Bolt |
| 186 | 194321 | Spacer Retainer |
| 187 | 19133210 | Washer |
| 188 | 194323 | Link Clutch Ground Drive |
| 189 | 194317 | Bellcrank Ground Drive |
| 190 | 194318 | Keeper Bellcrank Ground Drive |
| 205 | 121748X | Washer |
| 206 | 197867 | Bracket Mount Latch Cruise |
| 207 | 197868 | Latch Control Cruise |
| 208 | 197869 | Bolt Sector Control Cruise |
| 209 | 199592 | Rod Control Cruise |
| 210 | 400980 | Rocker Asm. Pedal Control |
| 211 | 120183X | Bearing, Nylon |
| 213 | 196441X428 | Knob Control Cruise |
| 214 | 197302X428 | Pad Pedal Forward |
| 215 | 197301X428 | Pad Pedal Reverse |
| 221 | 403187 | Retainer Spring Clip Handle |
| 222 | 79212010 | Washer |
| 231 | 407287 | Idler V-Groove 1.688" OFFSET |

NOTE: All component dimensions give in U.S. inches
1 inch = 25.4 mm

TRACTOR -- MODEL NUMBER 917.253240

ENGINE



SPARK ARRESTER KIT

engine-tex_bs-2cyl_13

TRACTOR - - MODEL NUMBER 917.253240

ENGINE

| KEY NO. | PART NO. | DESCRIPTION |
|---------|------------|---|
| 1 | ----- | Engine Briggs Model No. 445677-0758-E1 |
| 2 | 149723 | Muffler |
| 9 | 194319 | Keeper Belt Engine |
| 12 | 405140 | Pulley Engine |
| 15 | 400021 | Tank Fuel |
| 18 | 195951 | Cap Asm. |
| 20 | 175437X428 | Control Throttle |
| 21 | 416358 | Screw #10 x 0.750 BOS Thread |
| 22 | 187767X428 | Control Choke |
| 28 | 8543R | Fuel Line |
| 29 | 137180 | Spark Arrester Kit |
| 37 | 123487X | Clamp Hose |
| 42 | STD551143 | Washer Lock 7/16 |
| 45 | STD541425 | Nut Keps. Hex 1/4-20 unc |
| 62 | 146629 | Shield Heat Muffler |
| 69 | 165391 | Gasket |
| 70 | 159955 | Exhaust Tube LH |
| 71 | 160589 | Exhaust Tube RH |
| 79 | 183906 | Screw 5/16-18 x 1 |
| 81 | 148456 | Tube Drain Oil Easy |
| 82 | 181654 | Plug Drain Oil |
| 84 | 17060620 | Screw 3/8-16 x 1-1/4 |
| 85 | 173937 | Bolt 7/16-20 x 4 x Gr. 5-1.5 |
| 87 | 171877 | Bolt 5/16-18 unc x 3/4 w/Sems. |
| 90 | 17000616 | Screw 3/8-16 x 1 |

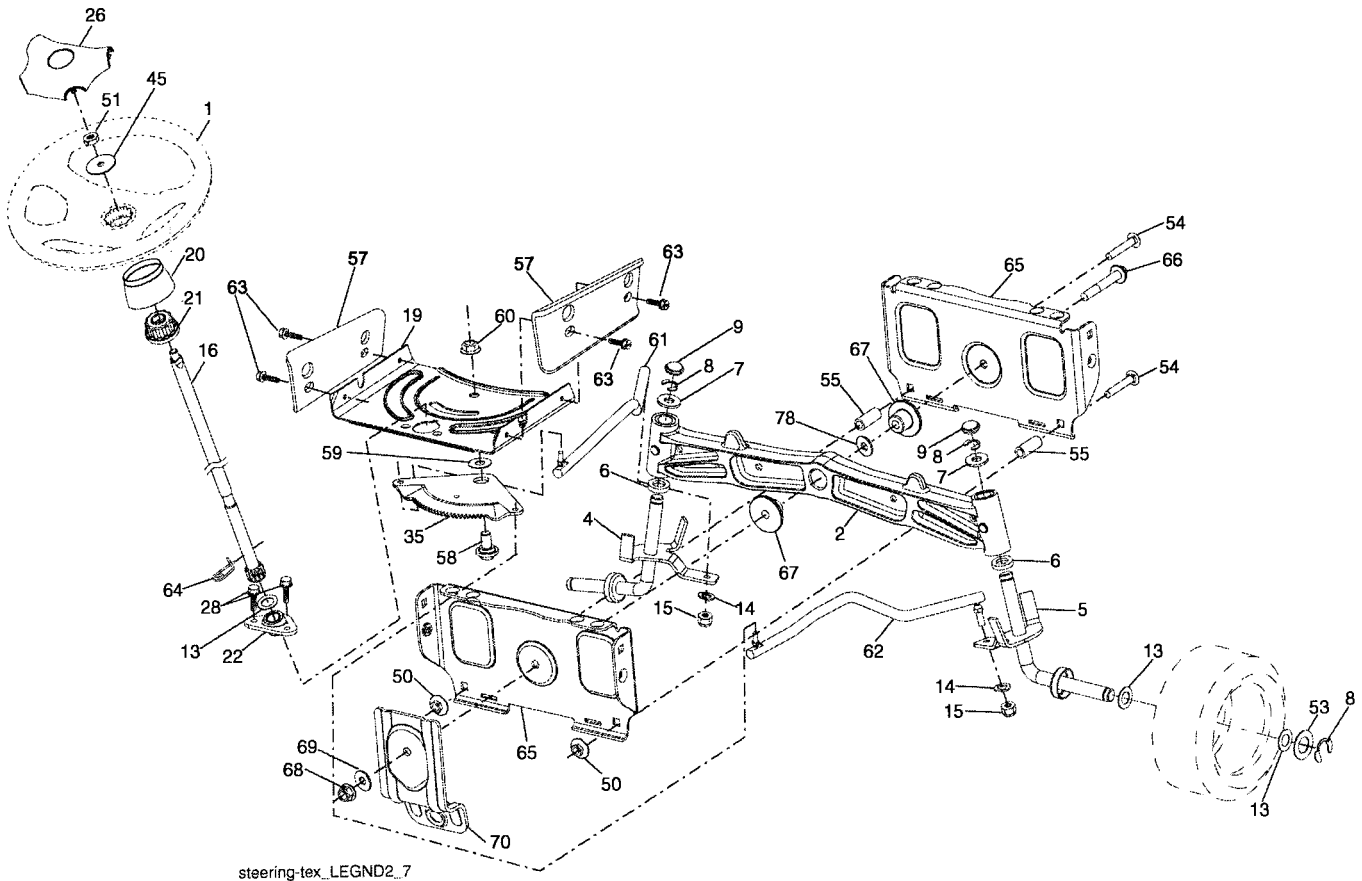
NOTE: All component dimensions give in U.S. inches
1 inch = 25.4 mm

Engine Power Rating Information

The gross power rating for individual gas engine models is labeled in accordance with SAE (Society of Automotive Engineers) code J11940 (Small Engine Power & Torque Rating Procedure), and rating performance has been obtained and corrected in accordance with SAE J1995 (Revision 2002-5). Actual gross engine power will be lower and is affected by, among other things, ambient operating conditions and engine-to-engine variability. Given both the wide array of products on which engines are placed and the variety of environmental issues applicable to operating the equipment, the gas engine will not develop the rated gross power when used in a given piece of power equipment (actual "on-site" or net horsepower). This difference is due to a variety of factors including, but not limited to, accessories (air cleaner, exhaust, charging, cooling, carburetor, fuel pump, etc.), application limitations, ambient operating conditions (temperature, humidity, altitude), and engine-to-engine variability. Due to manufacturing and capacity limitations, Briggs & Stratton may substitute an engine of higher rated power for this Series engine.

TRACTOR - - MODEL NUMBER 917.253240

STEERING ASSEMBLY



steering-tex_LEGND2_7

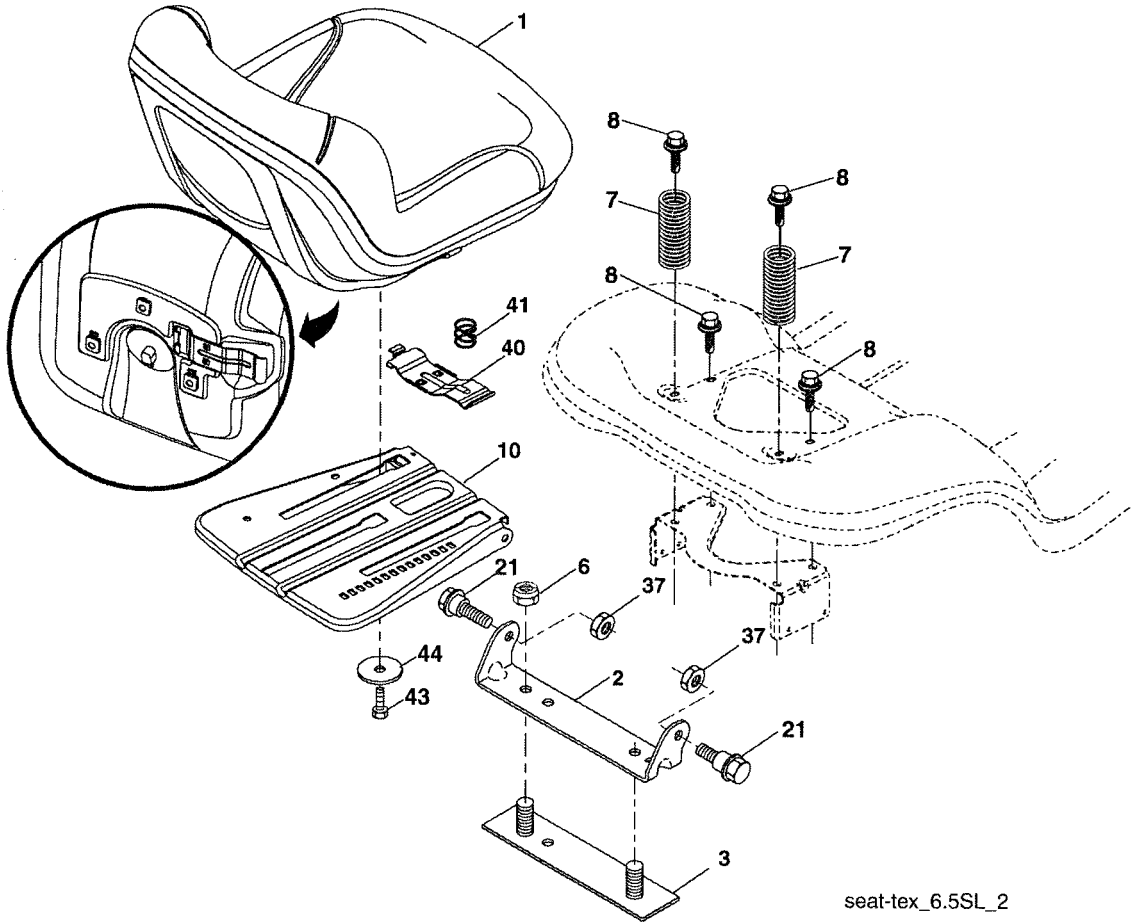
| KEY NO. | PART NO. | DESCRIPTION |
|---------|------------|----------------------------------|
| 1 | 414851X428 | Wheel, Steering |
| 2 | 184706 | Axle Asm., Front |
| 4 | 403087 | Spindle Asm., LH |
| 5 | 403088 | Spindle Asm., RH |
| 6 | 6266H | Bearing, Race Thrust Harden |
| 7 | 121748X | Washer 25/32 x 1-5/8 x 16 Ga. |
| 8 | 12000029 | Ring, Clip #T5304-75 |
| 9 | 184946X505 | Cap, Spindle |
| 13 | 121749X | Washer 25/32 x 1-1/4 x 16 Ga. |
| 14 | STD551137 | Washer, Lock Hvy. Hlcl. Spr. 3/8 |
| 15 | 73540600 | Nut, Crown Lock 3/8-24 unf |
| 16 | 194746 | Shaft Steering |
| 19 | 194729 | Plate Steering |
| 20 | 199676X428 | Boot, Steering |
| 21 | 186737 | Adapter, Wheel Steering |
| 22 | 194845 | Bushing, Strg. Blk. |
| 26 | 414852X428 | Insert, Wheel Steering |
| 28 | 17000612 | Screw 3/8-16 x 3/4 |
| 35 | 194732 | Gear, Sector Plate |
| 45 | 19183812 | Washer 9/16 x 2-3/8 x 12 Ga. |
| 50 | 73900600 | Nut Lock 3/8-16 unc |
| 51 | STD541350 | Nut Hex Jam Toplock 1/2-20 unf |

| KEY NO. | PART NO. | DESCRIPTION |
|---------|-----------|-------------------------------------|
| 53 | 188967 | Washer Hardened .793 x 1.637 x .060 |
| 54 | STD523722 | Bolt Hex 3/8-16 unc x 2-1/4 |
| 55 | 414736 | Spacer Brace Axle |
| 57 | 407465 | Bracket Upstop |
| 58 | 194747 | Bolt Shoulder Sector Pivot CFM |
| 59 | 194748 | Washer Thrust Sector Steering |
| 60 | 73971000 | Nut Flange Lock 5/8-11 |
| 61 | 194740 | Draglink, LH |
| 62 | 194741 | Draglink, RH |
| 63 | 17000512 | Screw 5/16-18 x 3/4 |
| 64 | 199849 | Retainer Clip Spring Steering |
| 65 | 194734 | Brace Axle Front |
| 66 | 71020748 | Bolt Hex Fghd. 7/16-14 x 3 Serr. |
| 67 | 194737 | Bushing PM Front Axle |
| 68 | 73900700 | Nut Lock Flange 7/16-14 Gr. 5 |
| 69 | 199162 | Washer 1.5 x .505 x .118 |
| 70 | 196197 | Bracket Deck Susp. Front |
| 78 | 57079 | Washer Thrust .515 x .750 x .033 |

NOTE: All component dimensions give in U.S. inches
1 inch = 25.4 mm

TRACTOR -- MODEL NUMBER 917.253240

SEAT ASSEMBLY



| KEY NO. | PART NO. | DESCRIPTION |
|---------|-----------|--------------------------------|
| 1 | 406622 | Seat |
| 2 | 180166 | Bracket Pivot Fender |
| 3 | 140675 | Strap, Asm. Fender |
| 6 | STD541437 | Nut, Lock w/Ins. 3/8-16 unc |
| 7 | 124181X | Spring, Seat Cprsn. |
| 8 | 171877 | Bolt 5/16-18 unc x 3/4 w/Sems. |
| 10 | 196977 | Pan, Seat |
| 21 | 171852 | Bolt, Shoulder 5/16-18 |

| KEY NO. | PART NO. | DESCRIPTION |
|---------|-----------|--------------------------------|
| 37 | STD541437 | Nut, Lock 5/16-18 unc |
| 40 | 197661 | Handle Slide Seat |
| 41 | 198200 | Spring Latch Seat |
| 43 | STD523707 | Bolt Fin. Hex 3/8-16 unc x 3/4 |
| 44 | 19133812 | Washer 13/32 x 2-3/8 x 12 Ga. |

NOTE: All component dimensions give in U.S. inches
1 inch = 25.4 mm

TRACTOR - - MODEL NUMBER 917.253240

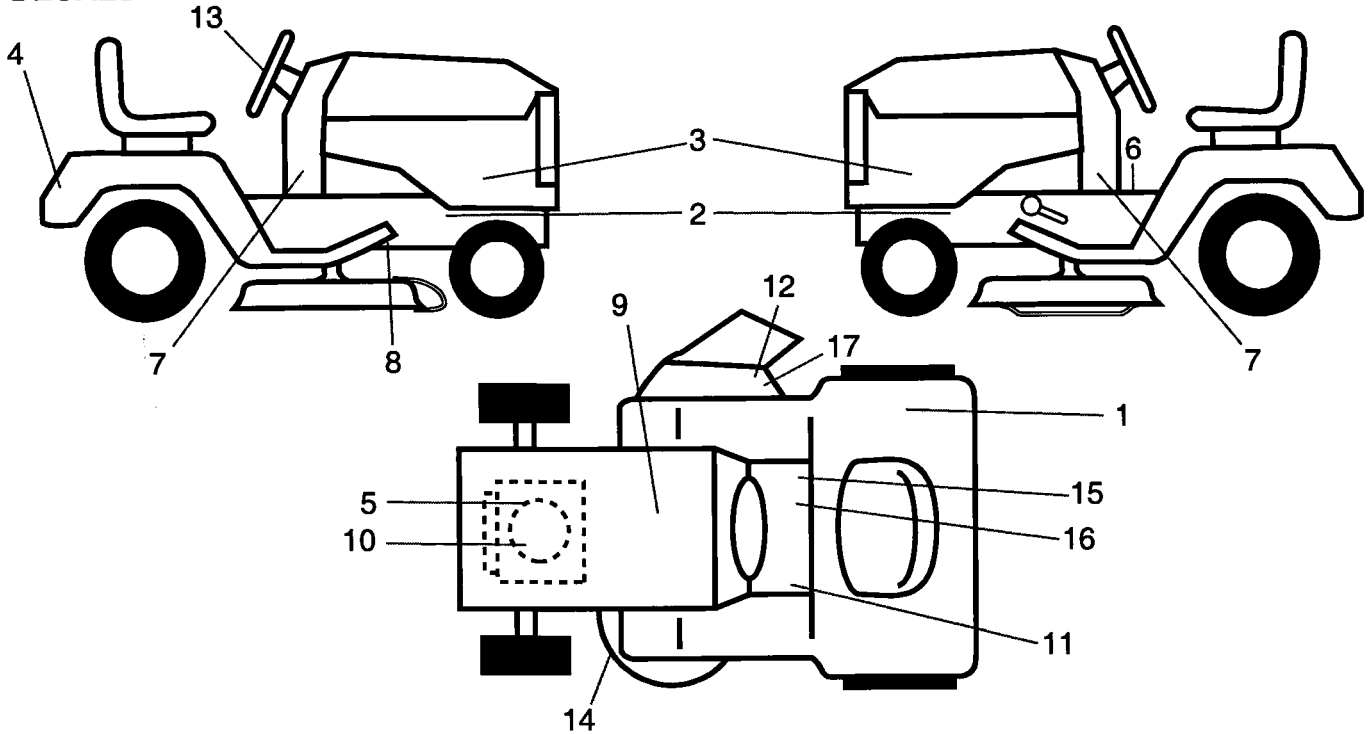
MOWER DECK

| KEY NO. | PART NO. | DESCRIPTION | KEY NO. | PART NO. | DESCRIPTION |
|---------|------------|-------------------------------------|---------|----------|---|
| 1 | 405049 | Mower Housing | 69 | 72140505 | Bolt |
| 2 | 405506 | Cover Mandrel RH | 70 | 199972 | Clutch Asm. Manual |
| 3 | 405507 | Cover Mandrel LH | 101 | 405454 | Cover Mulch 46" |
| 6 | 195186 | Arm Suspension | 102 | 71081010 | Screw Pan HD Phillip 10-24 x 5/8 |
| 7 | 416358 | Screw #10 x 0.750 BOS Thread | 103 | 10071000 | Washer Lock #10 |
| 8 | 193003 | Bolt/Washer Asm. 7/16-20 unf | 104 | 19061216 | Washer #10 |
| 11 | 403107 | Blade Mower | 105 | 160793 | Latch Asm. |
| 13 | 192872 | Shaft Assembly, Mandrel | 106 | 2029J | Nut Weld .327/304 #10-24 |
| 14 | 187281 | Housing, Mandrel | 113 | 17000510 | Screw 5/16-18 |
| 15 | 110485X | Bearing, Ball, Mandrel | 116 | 4898H | Bolt, Shoulder |
| 19 | 196539 | Bolt, Shoulder | 117 | 188606 | Wheel, Gauge |
| 21 | 73680500 | Nut | 118 | 73930600 | Nut, Crownlock 3/8-1 |
| 23 | 192557 | Bracket, Deflector | 119 | 19121414 | Washer 13/32 x 7/8 x 14 Ga. |
| 24 | 105304X | Cap, Sleeve | 122 | 197258 | Keeper Belt Eng. LH |
| 25 | 197026 | Spring, Torsion, Deflector | 123 | 197259 | Keeper Belt Eng. RH |
| 26 | 110452X | Nut, Push | 144 | 199204 | Keeper Belt |
| 27 | 405357 | Shield, Deflector | 145 | 193197 | Pulley Idler |
| 29 | 131491 | Rod, Hinge | 147 | 401872 | Spring Return |
| 30 | 173984 | Screw Thdrol. Rolling Wsh. Hd. | 152 | 408714 | Cable Clutch Manual w/Spr. |
| 31 | 187690 | Washer, Spacer | 188 | 195161 | Stud Fastener |
| 32 | 197473 | Pulley, Mandrel | 189 | 73900500 | Nut Lock Hex Flange |
| 33 | 400234 | Nut, Toplock, Flanged | 195 | 17000612 | Screw Hex Wsh. Thdr. 3/8 -16 x 3/4 |
| 34 | 72110612 | Bolt Carr. Sh. 3/8-16 x 1-1/2 Gr. 5 | 197 | 19131312 | Washer 13/32 x 13/16 x 12 Ga. |
| 36 | 197379 | Pulley, Idler, Flat | 198 | 403149 | Baffle Center Front |
| 37 | 19131316 | Washer 13/32 x 13/16 x 16 Ga. | 199 | 403150 | Baffle Front RH |
| 38 | 199189 | Keeper Belt LH Mandrel | 200 | 413524 | Washer 13/32 x 1 x 1/2 x 11 Ga |
| 40 | 73900600 | Nut, Lock Flg. 3/8-16 unc | 208 | 17670608 | Screw 3/8-16 x 1/2. |
| 42 | 198410 | Spring Trosion Brake | 240 | 74520636 | Bolt Fin. Hex 3/8-16 x 2-1/4 Gr. 5 |
| 43 | 197256 | Spring Torsion Retainer | -- | 192870 | Mandrel Assembly (Includes housing, shaft assembly, and bearing only - pulley/nut/washer and blade bolt/washers not included) |
| 46 | 137729 | Screw | | | |
| 47 | 197250 | Bracket Clutch Cable | | | |
| 55 | 197249 | Arm, Idler | | | |
| 56 | 199092 | Spacer, Retainer | | | |
| 57 | 17000616 | Screw Hex Wsh. Thd. 3/8-16 x 1 | -- | 412583 | Replacement Mower, Complete |
| 59 | 141043 | Guard, Tuv. Idler (94) | | | |
| 60 | 199471 | Arm Brake Mower | | | |
| 63 | 199477 | Arm Brake Mower | | | |
| 64 | 405138 | Linkage Brake | | | |
| 67 | 198398X428 | Handle, Clutch Cable | | | |
| 68 | 405143 | V-Belt | | | |

NOTE: All component dimensions give in U.S. inches
1 inch = 25.4 mm

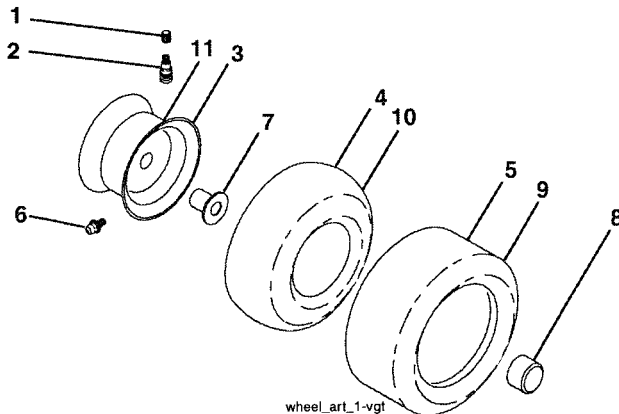
TRACTOR -- MODEL NUMBER 917.253240

DECALS



| KEY NO. | PART NO. | DESCRIPTION | KEY NO. | PART NO. | DESCRIPTION |
|---------|----------|----------------------------|---------|------------|--------------------------------------|
| 1 | 180432 | Decal, Fender 100 DB/CE | 14 | 160396 | Decal, Mower Schematic |
| 2 | 159736 | Decal, Chassis Hot Muffler | 15 | 140837 | Decal, Saddle Brake Parking |
| 3 | 410546 | Decal, Side Panel | 16 | 178302 | Decal, Oper Cruise Sym. |
| 4 | 411697 | Decal, Fender | 17 | 196357 | Decal, Deflect Warning Cutfinger Sym |
| 5 | 196841 | Decal, Warning Eng. Sym. | -- | 193226X428 | Pad, Footrest |
| 6 | 400389 | Decal, Fender Operator's | -- | 400981X428 | Pad, Footrest, Control |
| 7 | 403412 | Decal, Lower Dash | -- | 162598 | Decal, Drawbar Load |
| 8 | 199135 | Decal, V-Belt Schematic | -- | 166960 | Decal, Bypass |
| 9 | 145005 | Decal, Battery Dnge/Poi | -- | 420060 | Manual, Operator's Euro |
| 10 | 420133 | Decal, Engine HP | -- | 420061 | Manual, Operator's Scan |
| 11 | 159737 | Decal, Brake/Clutch Sym. | -- | 420062 | Manual, Operator's E-Bloc |
| 12 | 182166 | Decal, Cutfinger CE 02 | -- | 420063 | Manual, Operator's Baltic |
| 13 | 420121 | Decal, Steering Wheel | -- | 420064 | Manual, Parts |

WHEELS & TIRES

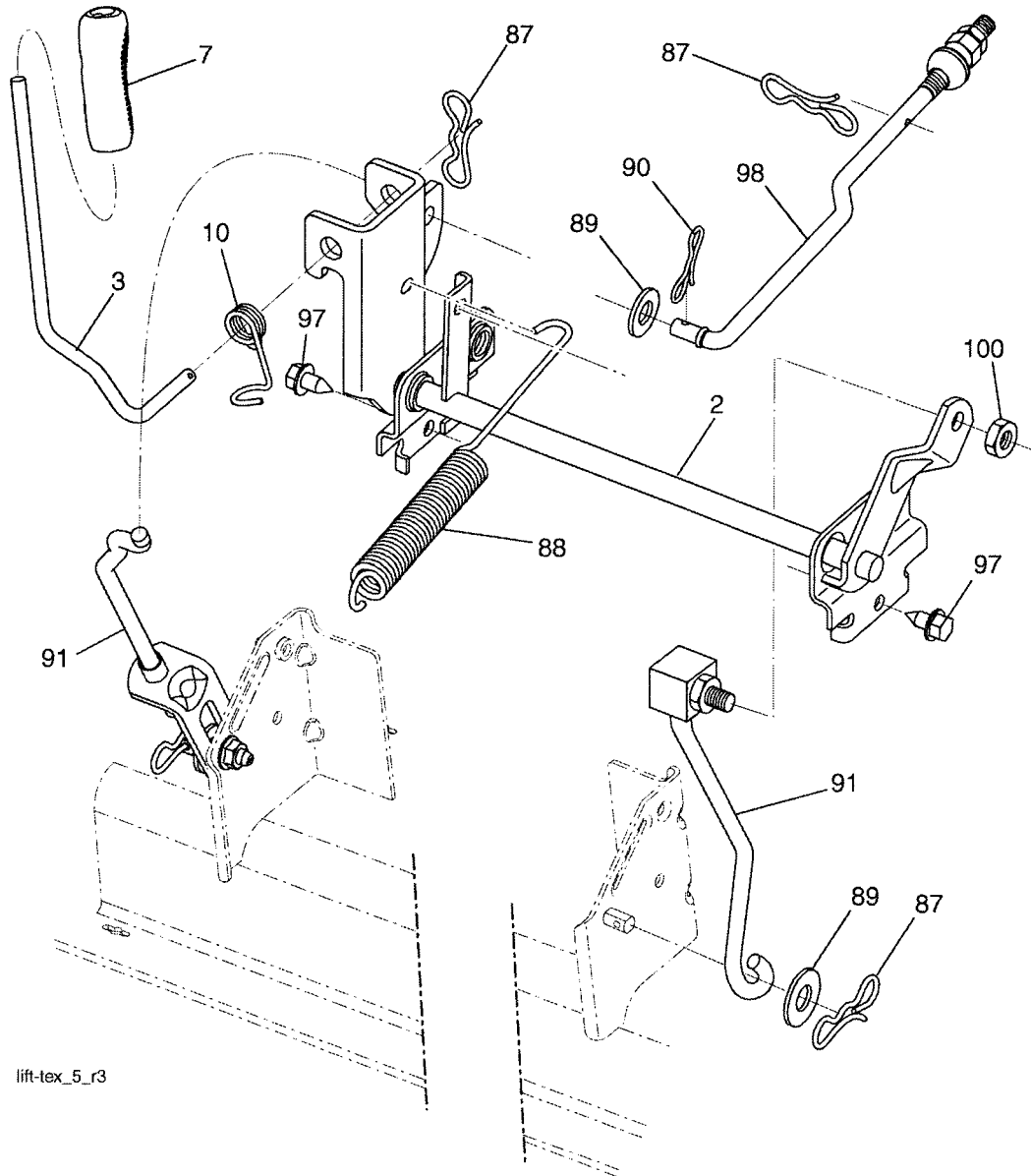


| KEY NO. | PART NO. | DESCRIPTION |
|---------|------------|------------------------------|
| 1 | 59192 | Cap, Valve, Tire |
| 2 | 65139 | Stem, Valve |
| 3 | 106732X624 | Rim Assembly, Front |
| 4 | 59904 | Tube, Front |
| 5 | 106222X | Tire, Front |
| 6 | 278H | Fitting, Grease |
| 7 | 9040H | Bearing, Flange |
| 8 | 104757X428 | Cap, Axle (Front Wheel Only) |
| 9 | 106268x | Tire, Rear |
| 10 | 7152J | Tube, Rear |
| 11 | 106108X624 | Rim Assembly, Rear |
| -- | 144334 | Sealant, Tire (10 oz. Tube) |

NOTE: All component dimensions give in U.S. inches
1 inch = 25.4 mm

TRACTOR -- MODEL NUMBER 917.253240

LIFT ASSEMBLY



lift-tex_5_r3

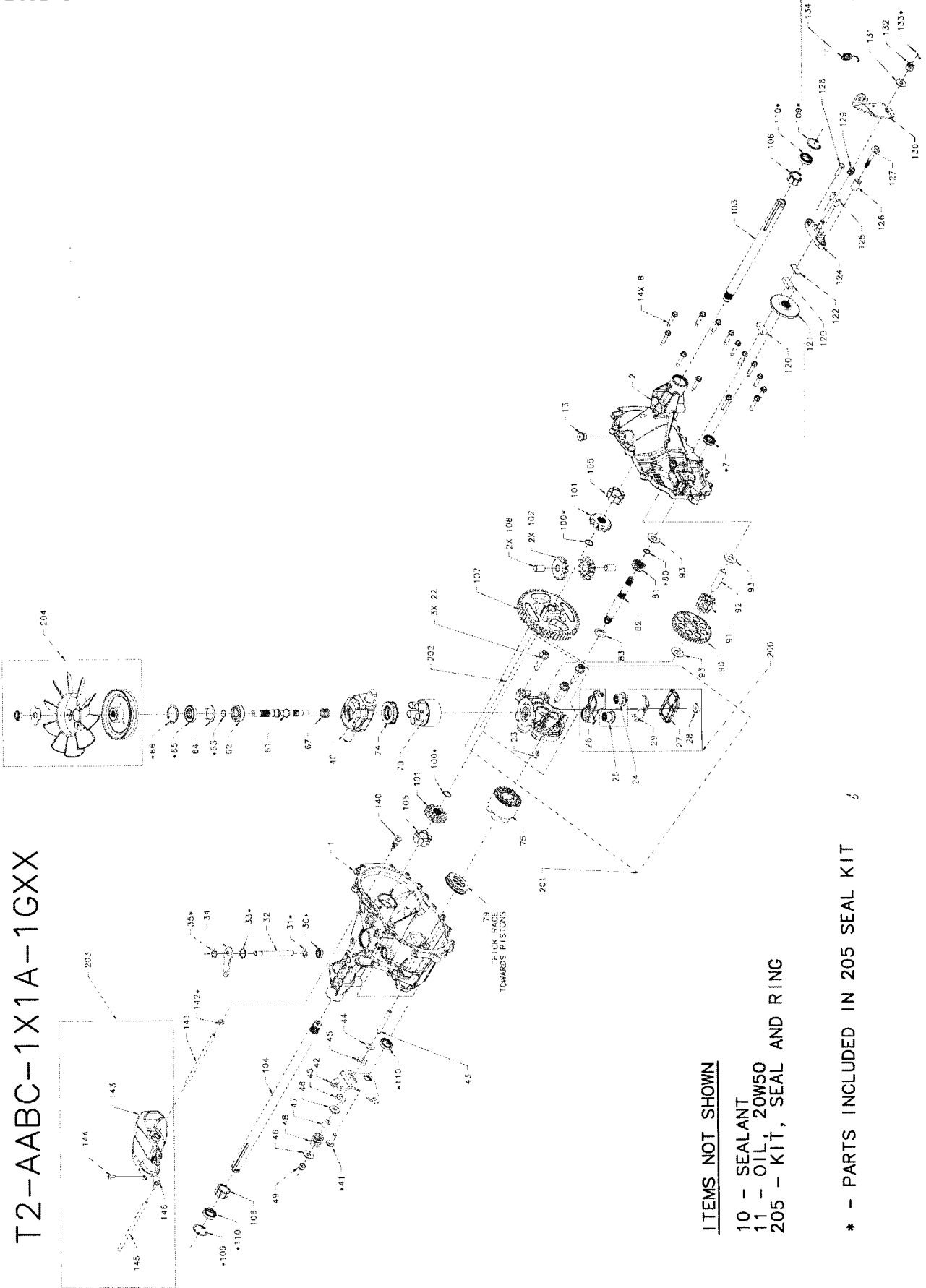
| KEY NO. | PART NO. | DESCRIPTION |
|---------|------------|------------------------------|
| 2 | 195223 | Shaft Asm., Lift |
| 3 | 195231 | Lever Asm., Lift RH |
| 7 | 196492x428 | Grip, Lever |
| 10 | 196314 | Spring Torsion |
| 87 | 194209 | Pin Cotter 7/16 Bow Tie Lock |
| 88 | 410710 | Spring Lift Assist |
| 89 | 19191912 | Washer Clear Zinc |
| 90 | 194208 | Pin Cotter 5/16 Bow Tie Lock |

| KEY NO. | PART NO. | DESCRIPTION |
|---------|----------|-----------------------------|
| 91 | 195181 | Link Asm. Lift Rear |
| 97 | 17000612 | Screw 3/8-16 x .75 |
| 98 | 195270 | Link Lift Susp. Front Mower |
| 100 | 73930600 | Nut Centerlock 3/8-16 unc |

NOTE: All component dimensions give in U.S. inches
1 inch = 25.4 mm

TRACTOR - - MODEL NUMBER 917.253240
HYDRO GEAR TRANSAXLE - MODEL T2

T2-AABC-1X1A-1GXX



ITEMS NOT SHOWN

- 10 - SEALANT
- 11 - OIL
- 205 - KIT, SEAL AND RING

* - PARTS INCLUDED IN 205 SEAL KIT

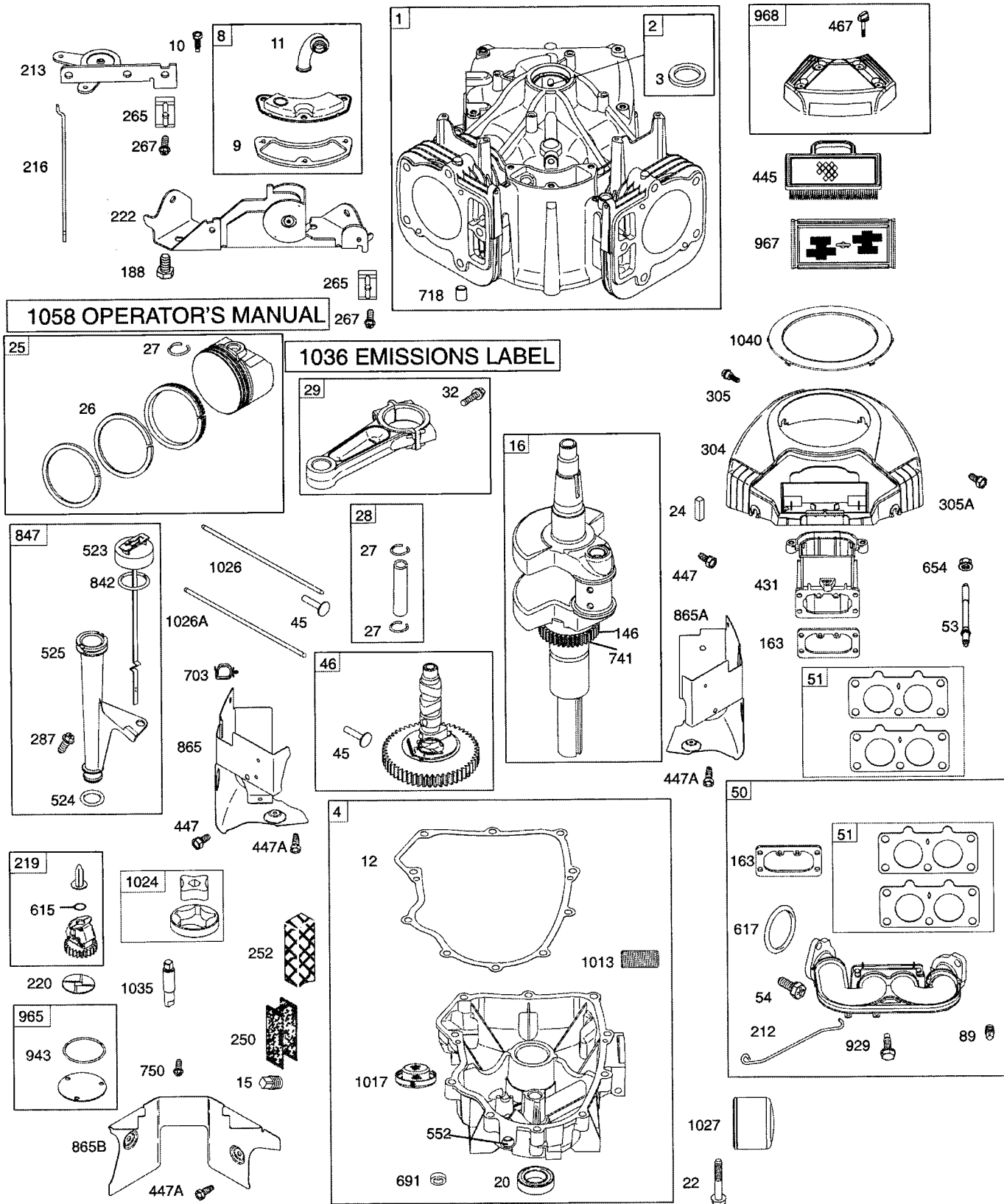
TRACTOR - - MODEL NUMBER 917.253240

HYDRO GEAR TRANSAXLE - MODEL T2

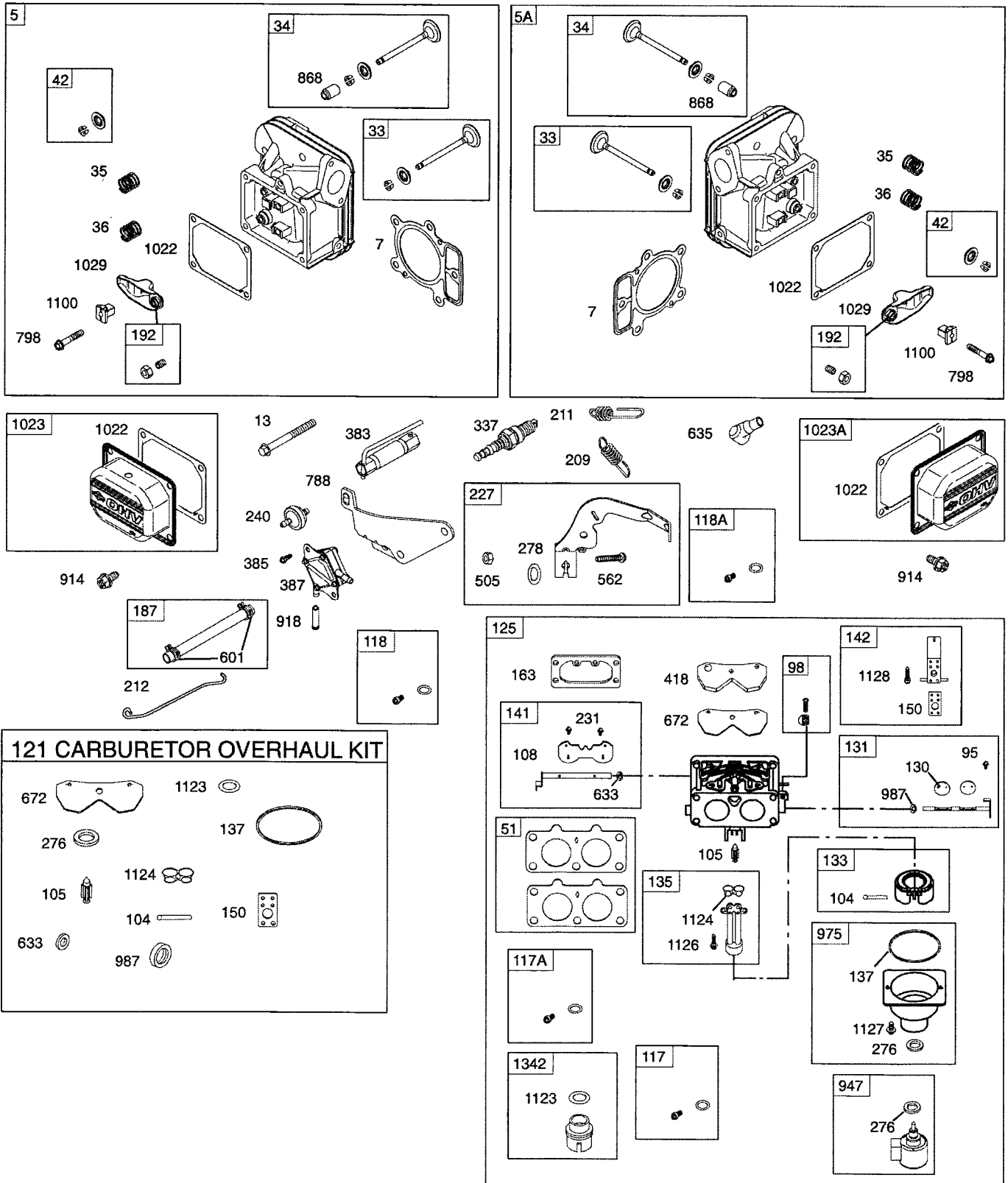
| KEY NO. | PART NO. | DESCRIPTION | KEY NO. | PART NO. | DESCRIPTION |
|----------------|-----------------|--|----------------|-----------------|--------------------------------------|
| 1 | 412015 | Kit, Hsg, Main | 91 | 412049 | Gear, Jackshaft 11t |
| 2 | 412016 | Kit, Hsg, Side | 92 | 412050 | Jack Shaft (P1n) |
| 7 | 412018 | Seal, Lip .50x1.0x.25 Tc | 93 | 170418 | Washer.51x1.10x.03 |
| 8 | 170356 | Hfhcs 1/4-20 X 1 .25" | 100 | 170393 | Ring, Ret - Spiral .625 Ext |
| 10 | 178322 | Sealant | 101 | 401260 | Gear, Bevel 12t Spllne Id |
| 11 | | Oil, 20w50 | 102 | 401261 | Gear, Bevel 12t .50 Id |
| 13 | 170434 | Plug 9/16-18 (Metal) | 103 | 170391 | Shaft, Axle, Keyed, 11.39 X 0.75 |
| 20 | 412020 | C-section Mach | 104 | 170392 | Shaft. Axle, Keyed, 16.99 X 0.75 |
| 21 | 412021 | Brg, Jrnl 15mm X 17mm X 15mm L | 105 | 412052 | Bushing, Inboard |
| 22 | 412022 | Bolt, Hex Flange. 3/8-16, C/s | 106 | 412053 | Bushing, Outboard |
| 23 | 412023 | Plate, Bypass | 107 | 412054 | Gear, 53t Bull |
| 24 | 170420 | Assembly, Check Plug w/Washer. .027 | 108 | 421055 | Pin. Differential |
| 25 | 412024 | Assembly, Check Plug w/Washer, .027, Spring | 109 | 412056 | Ring, Ret, Int Axle |
| 26 | 412025 | Base, Filter | 110 | 142961 | Seal, Lip.75x1.125x.25 Tc |
| 27 | 412026 | Cover, Filter | 120 | 142883 | Puck, Brake |
| 28 | 170395 | Ring, Magnet | 121 | 412057 | Rotor, Brake |
| 29 | 412027 | Deflector | 122 | 142882 | Plate, Puck |
| 30 | 412028 | Seal, Lip.375x.75x.25 Tc | 124 | 142929 | Yoke, Brake |
| 31 | 412029 | Ring, Ret .375 Ext | 125 | 142887 | Pin. Brk .31x.73 Plated |
| 32 | 412030 | Rod, Actuator Bypass | 126 | 161174 | Spacer .26x.57x.87 |
| 33 | 412031 | Ring, Ret .750 Int | 127 | 170410 | Hfhcs 1/4-20 X 2.0 W/patch |
| 34 | 412032 | Arm. Bypass | 128 | 142892 | Hhcs 1/4-20x1 (Patch) |
| 35 | 412033 | Ring, Ret .375 Ext | 129 | 161181 | Spring. Comp Brake Anti-drag |
| 40 | 412034 | Trunnion. Swash Plate | 130 | 142954 | Arm, Brake |
| 41 | 412035 | Screw 5/16-18x1 | 131 | 142884 | Washer .34x.88x.06 |
| 42 | 412036 | Arm, Cntrl | 132 | 142885 | Nut, Castle 5/16-24 PI |
| 43 | 412037 | Screw. Set 3/16-24 X 2.50 | 133 | 142886 | Pin, Cotter 3/32x3/4 |
| 44 | 412038 | Washer, Belleville | 134 | 189386 | Spring, Brake Arm Bias |
| 45 | 412039 | Washer,plastic, .32x.80x.21 | 140 | 170425 | 5/16 Sae, 5/32 Tube |
| 46 | 142884 | Washer .34x.88x.06 | 141 | 412058 | Hose |
| 47 | 142980 | Spacer .32x.59x.50 | 142 | 170435 | O-ring .103x.299 Id |
| 48 | 142969 | Spring, Helical Comp | 143 | 412059 | Tank. Expansion |
| 49 | 150778 | Nut, Hex 5/16-24 Nylon Lnsert | 144 | 161175 | Bolt, Self-tapping 10-32x1/2 |
| 61 | 412040 | Shaft, Lnput | 146 | 401264 | Cap, Barbed Vent |
| 62 | 142934 | Ball Bear L Ng 15x35x 1 1 | 147 | 412060 | Fastener, Ratchet |
| 63 | 142928 | Ring, Ret Wire .512 Id | 150 | 170439 | Fan, 7', 10 Blade |
| 64 | 161125 | Washer 1.23x1.56x.04 | 151 | 412061 | Pulley, Flanged, 4.13" |
| 65 | 142932 | Seal, Lip 15x35x7 | 152 | 170441 | Nut, Hex Lock, 1/2-20 (Nylon Insert) |
| 66 | 142933 | Ring, Ret 1.56 Int | 153 | 170442 | Washer, Od Slotted .53x1.63x.06 |
| 67 | 412041 | Spring. Helical | 200 | 412062 | Kit, Filter |
| 70 | 412042 | Kit, Block, Cyl 8cc | 201 | 412063 | Kit, Center Section W/filter |
| 74 | 412043 | Brg, Thrust Ball 27x47x14 | 202 | 412064 | Kit, Center Section |
| 75 | 169898 | Kit, Block, Cyl 10cc Rm | 203 | 412065 | Kit, Tank Expansion |
| 79 | 150771 | Brg, Thrust Ball 30x52x13 | 204 | 412066 | Kit, Fan & Pulley |
| 80 | 412044 | Ring, Ret .50 Ext | 205 | 412067 | Kit, Seal |
| 81 | 412045 | Gear. 13t Pinion | | | |
| 82 | 412046 | Shaft, Motor | | | |
| 83 | 412047 | Washer .60x1.00x.03 | | | |
| 90 | 412048 | Gear, 11t/48t | | | |

NOTE: All component dimensions give in U.S. inches
1 inch = 25.4 mm

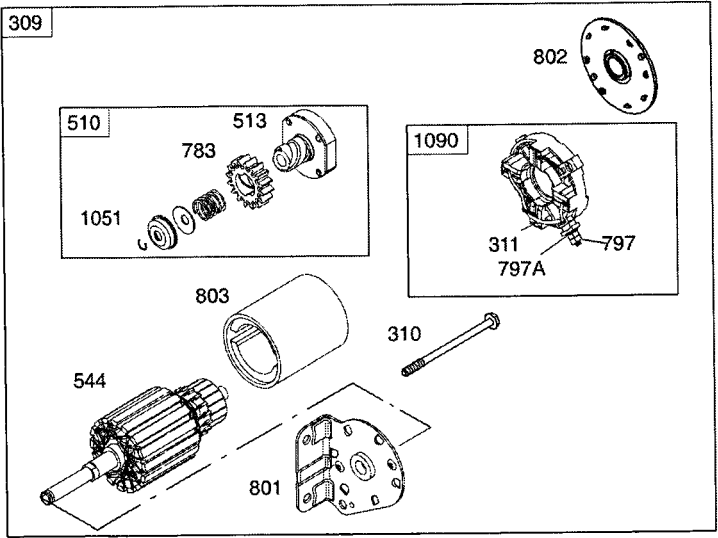
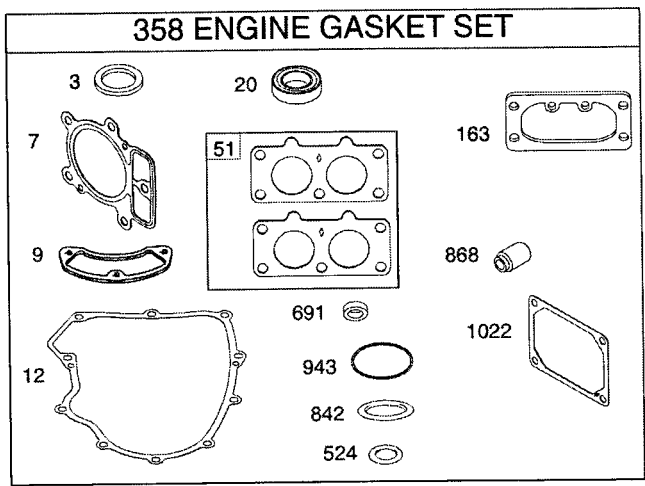
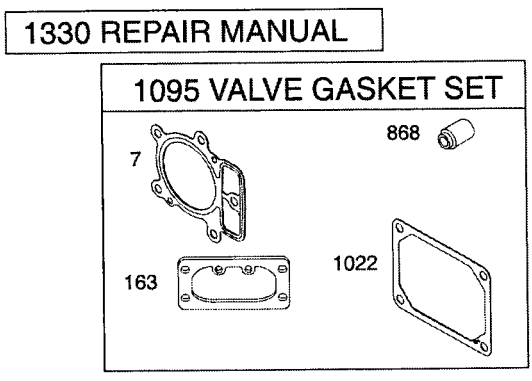
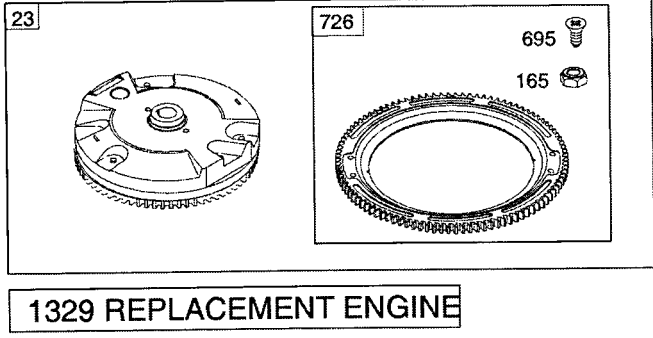
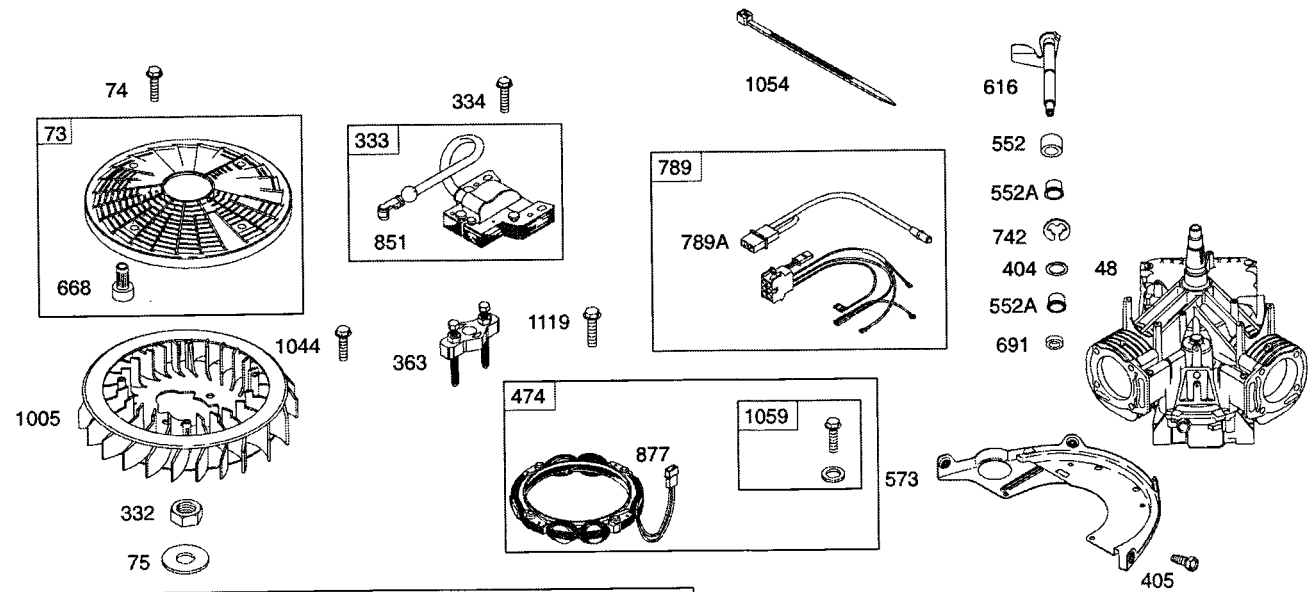
TRACTOR -- MODEL NUMBER 917.253240
BRIGGS & STRATTON ENGINE-MODEL NUMBER 445677, TYPE NUMBER 0758-E1



**TRACTOR - - MODEL NUMBER 917.253240
BRIGGS & STRATTON ENGINE-MODEL NUMBER 445677, TYPE NUMBER 0758-E1**



**TRACTOR -- MODEL NUMBER 917.253240
BRIGGS & STRATTON ENGINE-MODEL NUMBER 445677, TYPE NUMBER 0758-E1**



**TRACTOR - - MODEL NUMBER 917.253240
BRIGGS & STRATTON ENGINE-MODEL NUMBER 445677, TYPE NUMBER 0758-E1**

| KEY NO. | PART NO. | DESCRIPTION | KEY NO. | PART NO. | DESCRIPTION | |
|----------------|-----------------|----------------------------------|----------------|-----------------|--|--|
| 1 | 699753 | Cylinder Assembly | 165 | 693148 | Nut (Ring Gear) | |
| 2 | 499585 | Kit-Bushing/Seal (Magneto Side) | 187 | 791766 | Line-Fuel (Cutto Required Length) | |
| 3 | 391086s | • Seal-Oil (Magneto Side) | 188 | 691108 | Screw (Control Bracket) | |
| 4 | 699747 | Sump-Engine | 192 | 690083 | Adjuster-Rocker Arm | |
| 5 | 792299 | Head-Cylinder (Cylinder 1) | 209 | 793340 | Spring-Governor | |
| 5A | 792300 | Head-Cylinder (Cylinder 2) | 211 | 691019 | Spring-Governed Idle | |
| 7 | 693997 | •+ Gasket-Cylinder Head | 212 | 695238 | Link-Governor | |
| 8 | 792185 | Breather Assembly | 213 | 691021 | Bracket-Choke Control | |
| 9 | 690937 | • Gasket-Breather | 216 | 691022 | Link-Choke | |
| 10 | 691108 | Screw (Breather Assembly) | 219 | 793338 | Gear-Governor | |
| 11 | 792184 | Tube-Breather | 220 | 690412 | Washer (Governor Gear) | |
| 12 | 697227 | • Gasket-Crankcase | 222 | 698757 | Bracket-Control | |
| 13 | 791130 | Screw (Cylinder Head) | 227 | 792492 | Lever-Governor Control | |
| 15 | 690946 | Plug-Oil Drain | 231 | 690718 | Screw (Choke Valve) | |
| 16 | 699700 | Crankshaft | 240 | 691035 | Filter-Fuel | |
| 20 | 791892 | • Seal-Oil (PTO Side) | 250 | 690957 | Retainer-Breather | |
| 22 | 694966 | Screw (Crankcase Cover) | 252 | 690956 | Collector-Oil | |
| 23 | 691053 | Flywheel | 265 | 691024 | Clamp-Casing | |
| 24 | 222698s | Key-Flywheel | 267 | 695134 | Screw (Casing Clamp) | |
| 25 | 792117 | Piston Assembly (Standard) | 276 | 695410 | •Ø Washer-Sealing | |
| | 792144 | Piston Assembly (.020" Oversize) | 278 | 792651 | Washer-Sealing (Governor Control Lever) | |
| 26 | 792026 | Ring Set (Standard) | | | Screw (Dipstick/Tube Assembly) | |
| | 792073 | Ring Set (.020" Oversize) | 287 | 691108 | Housing-Blower | |
| 27 | 690975 | Lock-Piston Pin | 304 | 791243 | Screw (Blower Housing) | |
| 28 | 690229 | Pin-Piston (Standard) | 305 | 691005 | Screw (Blower Housing) | |
| 29 | 699699 | Rod-Connecting (Standard) | 305A | 790690 | Motor-Starter | |
| 32 | 690976 | Screw (Connecting Rod) | 309 | 499521 | Screw (Starter Motor) | |
| 33 | 499596 | Valve-Exhaust | 310 | 691263 | Brush Set | |
| 34 | 792200 | Valve-Intake | 311 | 497608 | Nut (Flywheel) | |
| 35 | 694865 | Spring-Valve (Intake) | 332 | 691059 | Armature-Magneto | |
| 36 | 694865 | Spring-Valve (Exhaust) | 333 | 691060 | Screw (Magneto Armature) | |
| 42 | 499586 | Keeper-Valve | 334 | 691061 | Plug-Spark | |
| 45 | 690977 | Tappet-Valve | 337 | 691043 | Gasket Set-Engine | |
| 46 | 790562 | Camshaft | 358 | 694012 | Puller-Flywheel | |
| 48 | 698173 | Short Block | 363 | 19203 | Wrench-Spark Plug | |
| 50 | 695241 | Manifold-Intake | 383 | 89838s | Screw (Fuel Pump) | |
| 51 | 791677 | • Gasket-Intake | 385 | 691108 | Pump-Fuel | |
| 53 | 690951 | Stud (Carburetor) | 387 | 808656 | Washer (Governor Crank) | |
| 54 | 699816 | Screw (Intake Manifold) | 404 | 690442 | Screw (Back Plate) | |
| 73 | 494439 | Screen-Rotating | 405 | 697820 | Plate-Carburetor | |
| 74 | 698425 | Screw (Rotating Screen) | 418 | 690999 | Elbow-Intake | |
| 75 | 691056 | Washer (Flywheel) | 431 | 790816 | Filter-Air Cleaner Cartridge | |
| 89 | 690283 | Plug-Oil | 445 | 499486s | Screw (Air Guide Cover) | |
| 95 | 690718 | Screw (Throttle Valve) | 447 | 691003 | Screw (Air Guide Cover) | |
| 98 | 699721 | Kit-Idle Speed | 447A | 691108 | Knob-Air Cleaner | |
| 104 | 694918 | Ø Pin-Float Hinge | 467 | 691008 | Alternator | |
| 105 | 698537 | Ø Valve-Float Needle | 474 | 696458 | Regulator | |
| 108 | 699723 | Valve-Choke | 501 | 691185 | Nut (Governor Control Lever) | |
| 117 | 791501 | Jet-Main (Standard)(Left) | 505 | 691029 | Drive-Starter | |
| 117A | 791502 | Jet-Main (Standard)(Right) | 510 | 696541 | Clutch-Drive | |
| 118 | 695415 | Jet-Main (High Altitude)(Left) | 513 | 692024 | Dipstick | |
| 118A | 843099 | Jet-Main (High Altitude)(Right) | 523 | 691036 | • Seal-O Ring (Dipstick Tube) | |
| 121 | 792455 | Kit-Carburetor Overhaul | 524 | 691032 | Tube-Dipstick | |
| 125 | 791230 | Carburetor | 525 | 691037 | Screw (Regulator) | |
| 130 | 690993 | Valve-Throttle | 526 | 691108 | Armature-Starter (Serviced by 499521 Starter Motor Only) | |
| 131 | 499805 | Kit-Throttle Shaft | 544 | | Bushing-Governor Crank | |
| 133 | 699724 | Float-Carburetor | | | Bushing-Governor Crank | |
| 135 | 699729 | Tube-Fuel Transfer | 552 | 690552 | Bolt (Governor Control Lever) | |
| 137 | 690994 | Ø Gasket-Float Bowl | 552A | 690553 | Plate-Back | |
| 141 | 699722 | Kit-Choke Shaft | 562 | 690311 | Clamp-Hose | |
| 142 | 699726 | Nozzle-Carburetor | 573 | 790444 | Retainer-Governor Shaft | |
| 146 | 690979 | Key-Timing | 601 | 691038 | Crank-Governor | |
| 150 | 690995 | Ø Gasket-Nozzle | 615 | 698290 | | |
| 163 | 691001 | •+ Gasket-Air Cleaner | 23 | 616 | 691045 | |

TRACTOR - - MODEL NUMBER 917.253240
BRIGGS & STRATTON ENGINE-MODEL NUMBER 445677, TYPE NUMBER 0758-E1

| KEY NO. | PART NO. | DESCRIPTION | KEY NO. | PART NO. | DESCRIPTION |
|----------------|-----------------|---|----------------|-----------------|---|
| 617 | 697891 | Seal-O Ring (Intake Manifold) | 1017 | 690770 | Screen-Oil Pump |
| 633 | 690998 | Ø Seal-Choke/Throttle Shaft | 1022 | 690971 | *+ Gasket-Rocker Cover |
| 635 | 66538s | Boot-Spark Plug | 1023 | 793146 | Cover-Rocker Arm (Cylinder 1) |
| 654 | 690958 | Nut (Carburetor) | 1023A | 499600 | Cover-Rocker Arm (Cylinder 2) |
| 668 | 691215 | Spacer | 1024 | 499054 | Pump-Oil |
| 672 | 690234 | Ø Gasket-Carburetor Plate | 1026 | 690981 | Rod-Push (Steel) |
| 691 | 790574 | • Seal-Governor Shaft | 1026A | 690982 | Rod-Push (Aluminum) |
| 695 | 693149 | Screw (Ring Gear) | 1027 | 492932s | Filter-Oil |
| 697 | 690372 | Screw (Drive Cap) | 1029 | 690972 | Arm-Rocker |
| 703 | 691010 | Clip | 1035 | 691042 | Shaft-Pump |
| 718 | 690959 | Pin-Locating | 1036 | | Label-Emissions (Available from an authorized Briggs & Stratton Service Dealer) |
| 726 | 499612 | Gear-Ring | | | Plate-Trim |
| 741 | 690980 | Gear-Timing | 1040 | 791237 | Ring-Retaining |
| 742 | 690328 | Retainer-E Ring | 1051 | 691265 | Cable-Tie |
| 750 | 696999 | Screw (Oil Pump Cover) | 1054 | 280275 | Operator's Manual |
| 783 | 695708 | Gear-Pinion | 1058 | MS3372 | Kit-Screw/Washer |
| 788 | 793145 | Bracket-Fuel Pump | 1059 | 698516 | Screw (Flywheel Fan) |
| 789 | 698330 | Harness-Wiring | 1070 | 690372 | Retainer-Brush |
| 789A | 790544 | Harness-Wiring | 1090 | 691293 | Set-Valve Gasket |
| 797 | 691029 | Nut (Brush Retainer) | 1100 | 690973 | Pivot-Rocker Arm |
| 797A | 693167 | Nut (Brush Retainer) | 1119 | 691183 | Screw (Alternator) |
| 798 | 697890 | Screw (Rocker Arm) | 1123 | 841653 | Ø Seal-O Ring (Solenoid Retainer) |
| 801 | 691283 | Cap-Drive | 1124 | 690988 | Ø Seal-O Ring (Fuel Transfer Tube) |
| 802 | 691286 | Cap-End | 1126 | 690991 | Screw (Fuel Transfer Tube) |
| 803 | | Housing-Starter (Serviced by 499521 Starter Motor Only) | 1127 | 695407 | Screw (Float Bowl) |
| 842 | 691031 | • Seal-O Ring (Dipstick) | 1128 | 690990 | Screw (Carburetor Nozzle) |
| 847 | 499602 | Assembly-Dipstick/Tube | 1329 | 446877-0027 | Replacement Engine (Transfer the speed limiter control assembly to the replacement engine. Transfer Governor Spring to the replacement engine.) |
| 851 | 493880s | Terminal-Spark Plug | | | Repair Manual |
| 865 | 691012 | Cover-Air Guide (Cylinder 1) | | | Extension Fuel Transfer Tube |
| 865A | 793205 | Cover-Air Guide (Cylinder 2) | | | |
| 865B | 691015 | Cover-Air Guide | | | |
| 868 | 690968 | *+ Seal-Valve | | | |
| 877 | 399916 | Wire/Connector-Alternator | 1330 | 273521 | |
| 914 | 691127 | Screw (Rocker Arm Cover) | 1342 | 699731 | |
| 918 | 793147 | Hose-Vacuum | | | |
| 929 | 695239 | Screw (Choke Control Bracket) | | | |
| 943 | 690589 | • Seal-O Ring (Oil Pump Cover) | | | |
| 947 | 841546 | Solenoid-Fuel | | | |
| 965 | 499613 | Cover-Oil Pump | | | |
| 967 | 273638s | Filter-Pre Cleaner | | | |
| 968 | 791242 | Cover-Air Cleaner | | | |
| 975 | 791232 | Bowl-Float | | | |
| 987 | 691000 | Ø Seal-Throttle Shaft | | | |
| 1005 | 791236 | Fan-Flywheel | | | |
| 1013 | 690954 | Nipple-Oil Filter | | | |

- Included in Engine Gasket Set, Key. No. 358
- Ø Included in Carburetor Overhaul Kit, Key. No. 121
- + Included in Valve Overhaul Kit, Key. No. 1095

NOTE: All component dimensions give in U.S. inches
1 inch = 25.4 mm

LIMITED WARRANTY ON CRAFTSMAN RIDING EQUIPMENT

For two (2) years from the date of purchase, if this Craftsman Riding Equipment is maintained, lubricated and tuned up according to the instructions in the owner's manual, Sears will repair or replace free of charge any parts that are found to be defective in material or workmanship according to the guidelines of coverage listed below. Sears will also provide free labor for these applicable warranted parts for the two full years. During the first 30 days of purchase, there will be no charges to service the product at your home for issues covered by this warranty. (See exclusions below). For your convenience, IN HOME warranty service will still be available after the first 30 days of purchase, but a trip charge will apply. This charge will be waived if the Craftsman product is dropped off at an authorized Sears location. For the nearest authorized Sears location, please call 1-800-4-MY-HOME®. This warranty applies only while this product is within the United States.

This Warranty does not cover:

- Expendable items which become worn during normal use, including but not limited to blades, spark plugs, air cleaners, belts, and oil filters.
- Standard Maintenance Servicing, oil changes, or tune-ups
- Tire replacement or repair caused by punctures from outside objects, such as nails, thorns, stumps, or glass.
- Repairs necessary because of operator abuse, including but not limited to, damage caused by towing objects beyond the capability of the riding equipment, impacting objects that bend the frame or crankshaft, or over-speeding the engine.
- Repairs necessary because of operator negligence, including but not limited to, electrical and mechanical damage caused by improper storage, failure to use the proper grade and amount of engine oil, failure to keep the deck clear of flammable debris, or failure to maintain the equipment according to the instructions contained in the owner's manual.
- Engine (fuel system) cleaning or repairs caused by fuel determined to be contaminated or oxidized (stale). In general, fuel should be used within 30 days of its purchase date.
- Normal deterioration and wear of the exterior finishes, or product label replacement.
- Riding equipment used for commercial or rental purposes.

LIMITED WARRANTY ON BATTERY

For ninety (90) days from date of purchase, if any battery included with this riding equipment proves defective in material or workmanship and our testing determines the battery will not hold a charge, Sears will replace the battery at no charge. During the first 30 days of purchase, there will be no charges to replace the battery at your HOME. After the first 30 days, for your convenience, IN-HOME warranty service will still be available but a trip charge will apply. This charge will be waived if the Craftsman product is dropped off at an authorized Sears location. For the nearest authorized Sears location, please call 1-800-4-MY-HOME®.

This battery warranty applies only while this product is within the United States.

This warranty gives you specific legal rights, and you may also have other rights, which vary, from state to state.

Sears, Roebuck and Co., Dept. 817WA, Hoffman Estates, IL 60179

