

REPAIR PARTS MANUAL
MODEL NO. 253260
Garden Tractor

CRAFTSMAN®

HOW TO USE THIS MANUAL

This manual is designed to provide the customer with a means to identify the parts on his/her tractor when ordering repair parts. The illustrations may or may not represent the actual assemblies; therefore, it is not recommended to use this manual as a guide to assemble or disassemble the tractor. Some hardware and parts are drawn larger in order to more readily identify them.

Each tractor has its own model number.

The model number for your tractor can be found on the fender under the seat.

When ordering parts, always give the following information:

- Product - Lawn Tractor
- MODEL NUMBER - **253260**
- Part Number
- Part Description

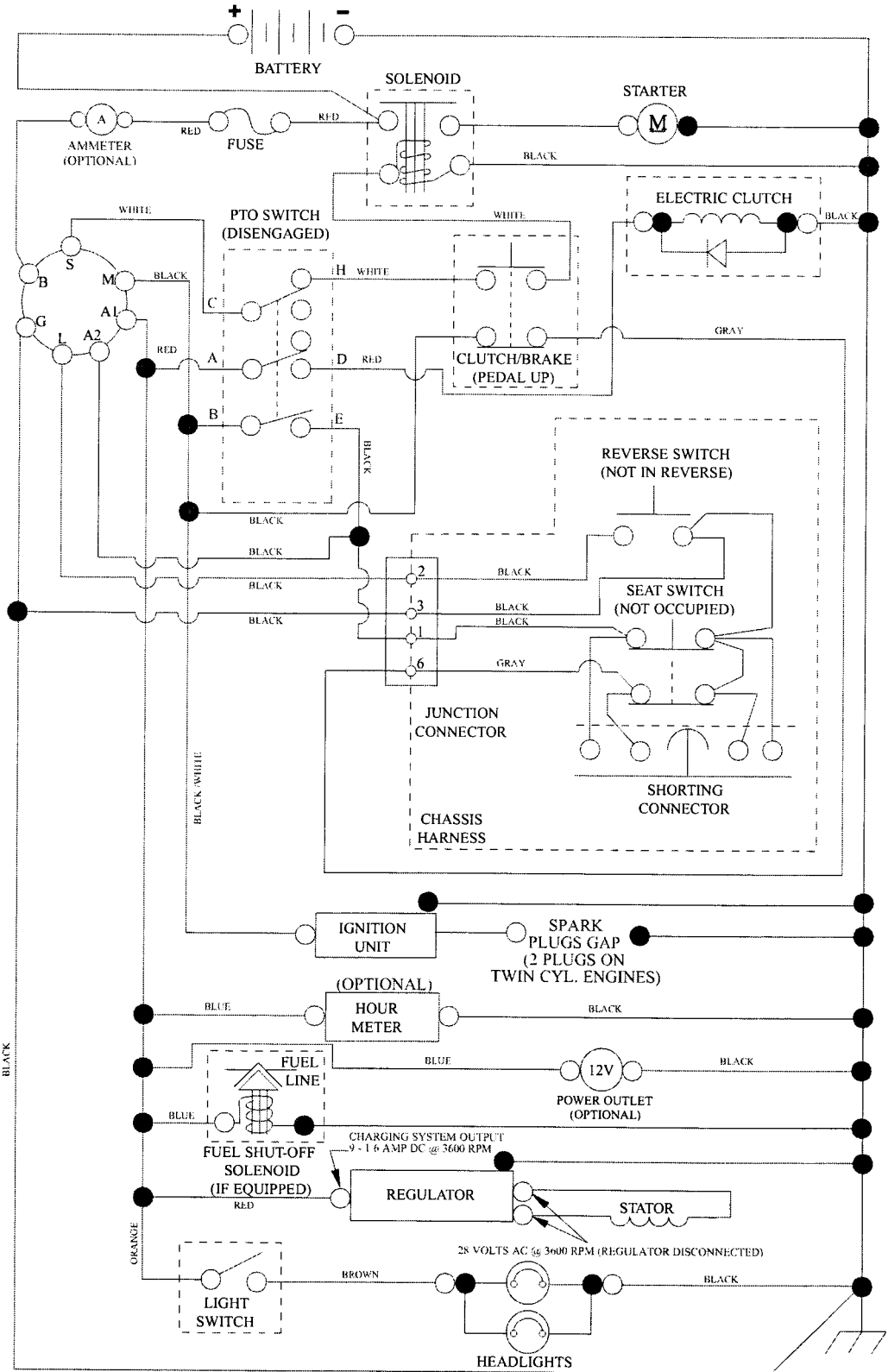
TABLE OF CONTENTS

SCHEMATIC	3
ELECTRICAL.....	4-5
CHASSIS	6-7
DRIVE.....	8-9
ENGINE.....	10-11
STEERING	12
SEAT	13
MOWER DECK	14-15
MOWER LIFT.....	16
DECALS.....	17
TRANSAXLE BREAKDOWN	18-19
ENGINE BREAKDOWN.....	20-25
WARRANTY	BACK COVER

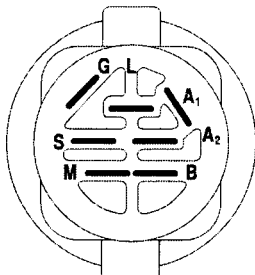
TRACTOR - - MODEL NUMBER 917.253260

SCHEMATIC

SCH12

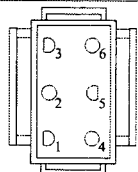


PTO SWITCH
(MATING SIDE)

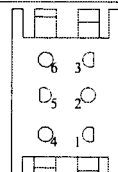


IGNITION SWITCH

POSITION	CIRCUIT	"MAKE"
OFF	M+G+A1	
RUN/OVERRIDE	B+A1	
RUN	B+A1	L+A2
START	B+S+A1	



CHASSIS HARNESS
CONNECTOR
(MATING SIDE)



DASH HARNESS
CONNECTOR

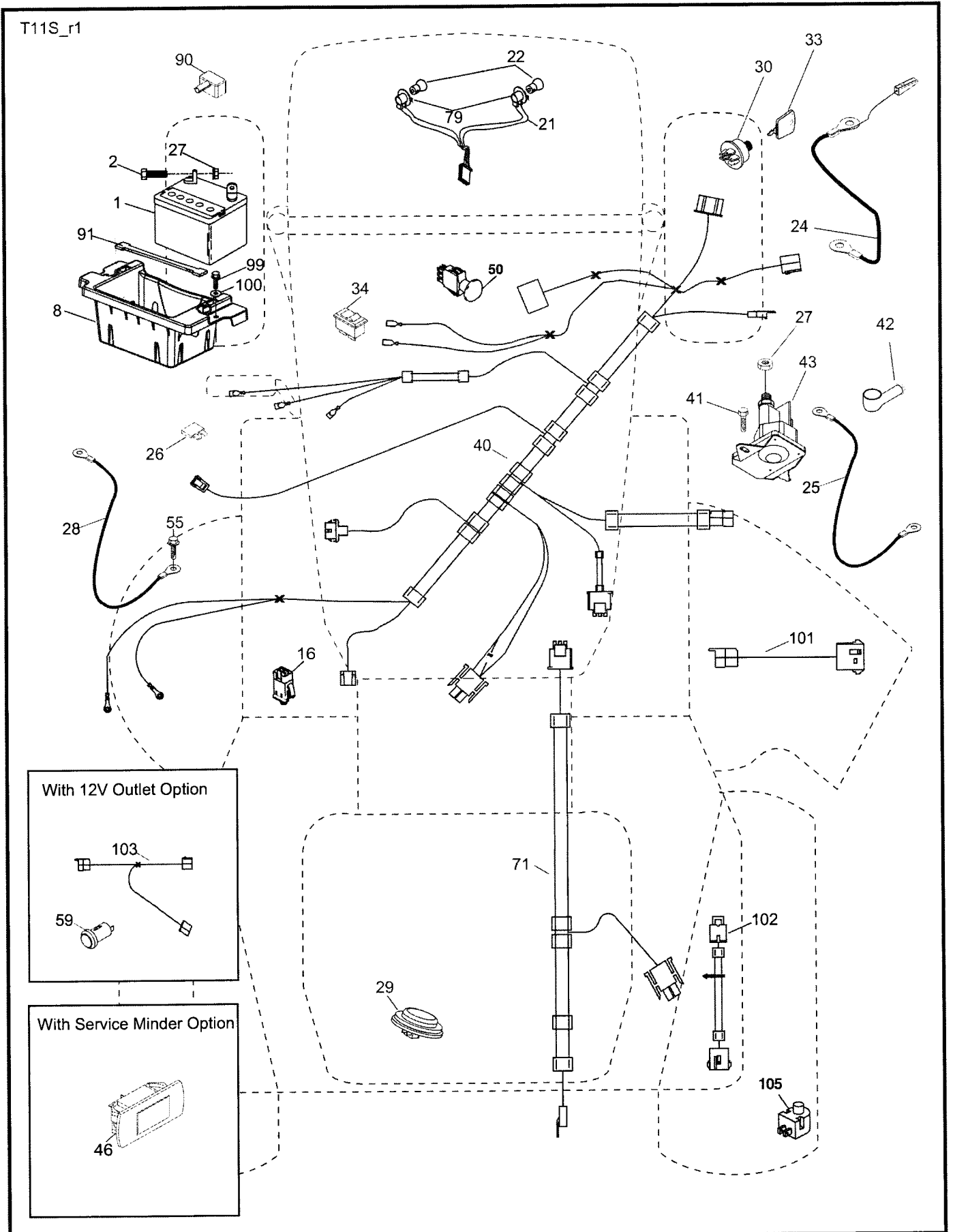
WIRING INSULATED CLIPS
NOTE: IF WIRING INSULATED
CLIPS WERE REMOVED FOR
SERVICING OF UNIT, THEY
SHOULD BE RE-INSTALLED TO
PROPERLY SECURE YOUR
WIRING.

NON-REMOVABLE
CONNECTIONS

REMOVABLE
CONNECTIONS

TRACTOR - - MODEL NUMBER 917.253260

ELECTRICAL



ELECTRICAL

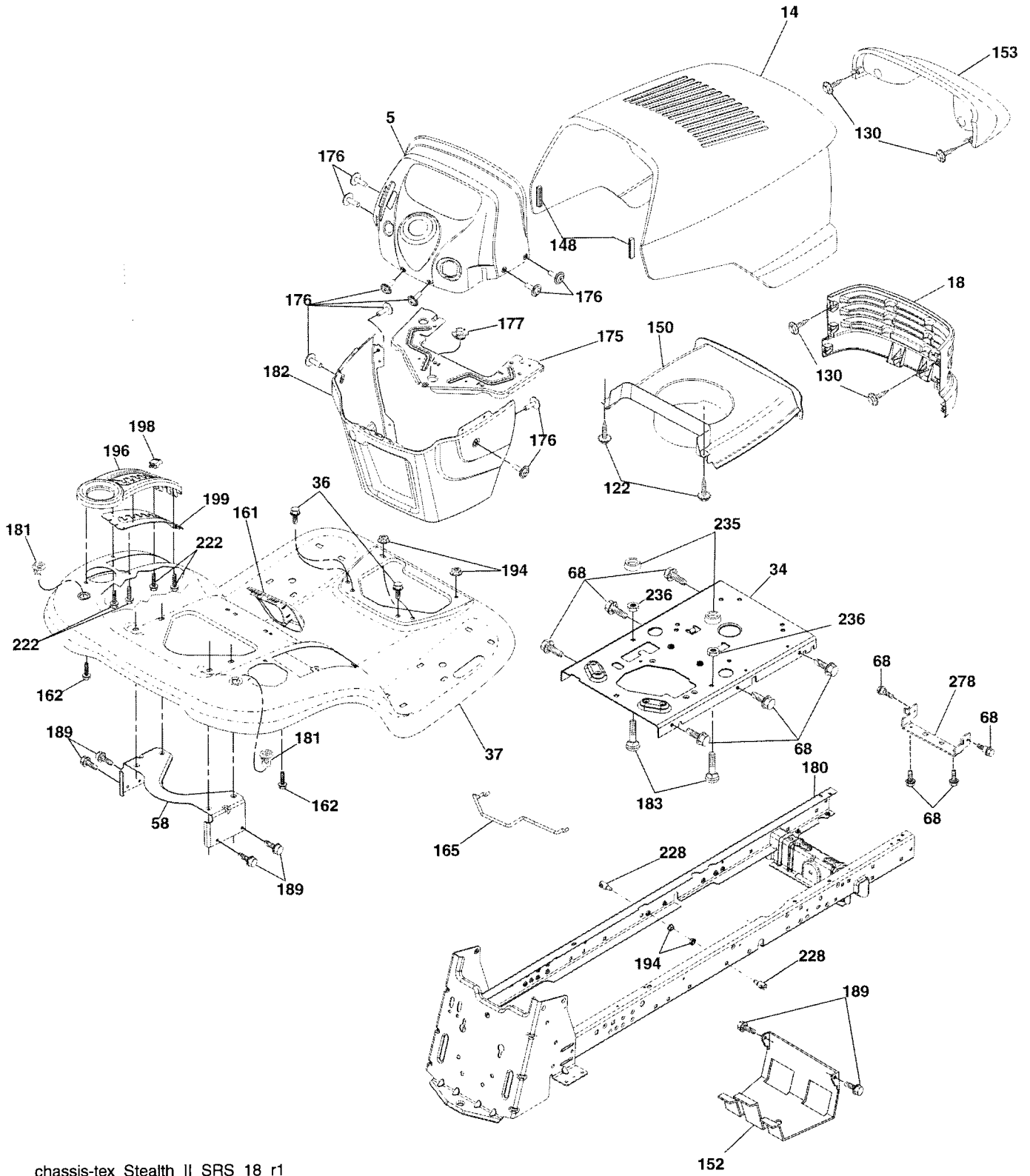
TRACTOR - - MODEL NUMBER 917.253260

KEY NO.	PART NO.	DESCRIPTION
1	144927	Battery
2	74760412	Bolt Hex Head 1/4-20 x 3/4
8	186491	Box Battery
16	176138	Switch Interlock Push-In
21	175688	Harness Socket Light w/4152J
22	4152J	Bulb Light
24	400253	Cable Battery
25	412895	Cable Start Red 17.5"
26	175158	Fuse
27	73510400	Nut Keps Hex 1/4-20 unc
28	145491	Cable, Ground
29	401545	Switch, Seat
30	193350	Switch, Ignition
33	411934	Key/Chain
34	110712X	Switch Light/Reset
40	401104	Harness Ign. Dash
41	17720408	Screw 1/4-20 x 1/2
42	131563	Cover, Terminal
43	192507	Solenoid
46	413931	Gauge Hourmeter
50	174652	Switch, PTO
55	17060512	Screw Thdrol 5/16-18 x 3/4
59	400303	Outlet 12-Volt
71	194276	Harness Ignition
79	175242	Bulbholder Asm. Incandescent
90	400724	Cover Terminal Battery
91	190270	Strap Battery Mount Front
99	17670412	Screw Hexwsh Thdrol 1/4-20 x 3/4
100	19091416	Washer 9/32 x 7/8 x 16 Ga.
101	198317	Pigtail
102	404454	Harness, Pigtail K46
103	407962	Harness, Pigtail 12V Outlet
105	407568	Switch Reverse TT Pedal Control

NOTE: All component dimensions given in U.S. inches
1 inch = 25.4 mm

TRACTOR - - MODEL NUMBER 917.253260

CHASSIS ASSEMBLY



chassis-tex_Stealth_II_SRS_18_r1

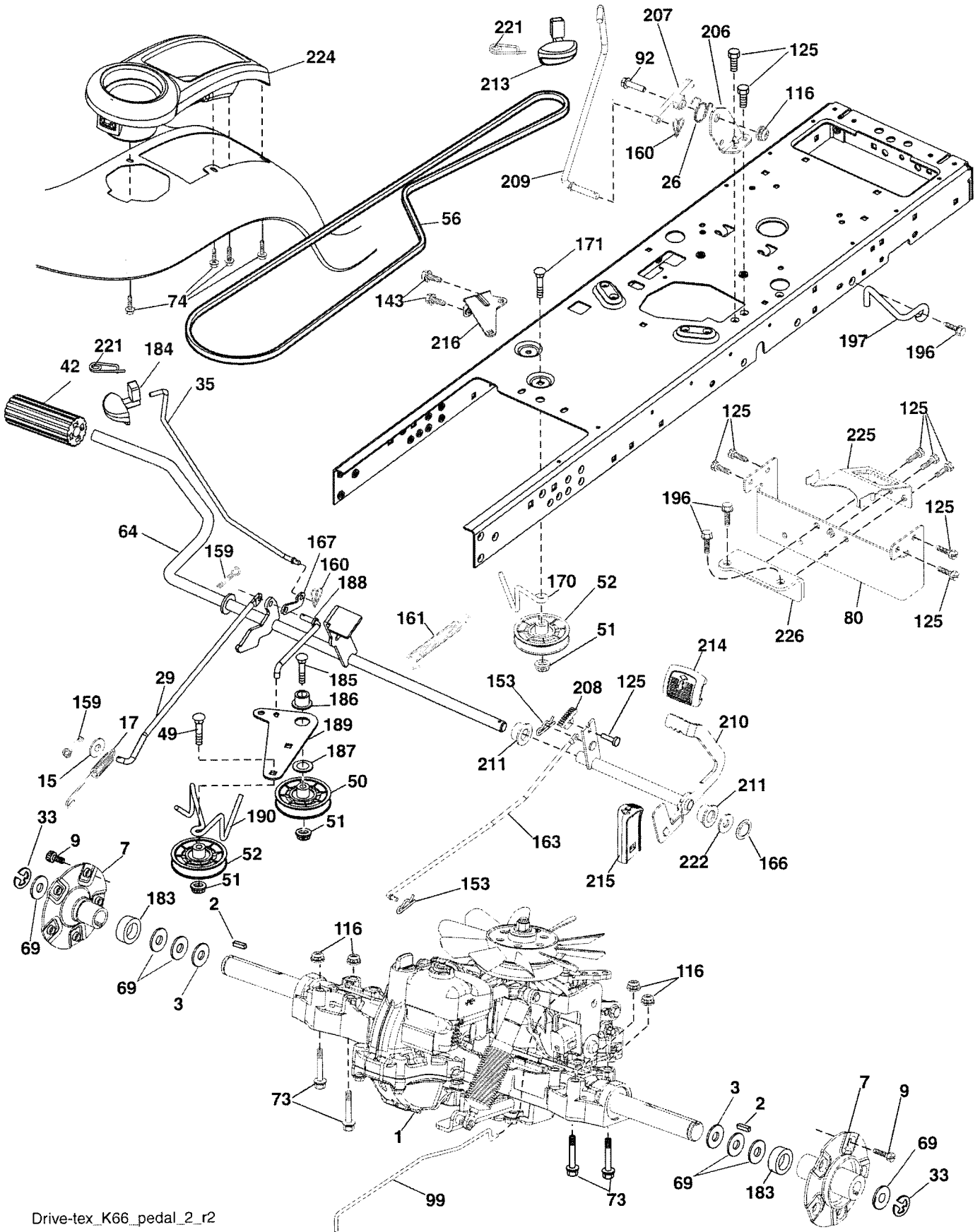
TRACTOR -- MODEL NUMBER 917.253260
CHASSIS ASSEMBLY

KEY NO.	PART NO.	DESCRIPTION
5	195102X428	Dash
14	175260X428	Hood
18	174515X428	Grille
34	196125	Plate Engine
36	17060512	Screw 5/16-18 x 3/4
37	400009X428	Fender
58	194314	Large Support Fender
68	17490508	Screw 5/16-18 x 1/2
122	192512	Screw 10-32 x 5/8
130	416358	Screw 10 x .750 BOS Thread
148	164655	Bumper Extrusion
150	175352	Air Duct
152	199535	Shield Browning
153	161840	Lens Bar
161	193097X428	Window Fuel
162	142432	Screw
165	196826	Support Tank Rear
175	193236	Crossmember
176	400776	Screw 10-24 x 5/8
177	195227	Bushing Steering
180	195477	Chassis
181	193102X428	Bushing Mtg. Fender Crgo
182	192551	Dash Lower
183	74780520	Bolt Fin Hex 5/16-18 unc x 1-1/4
189	17000512	Screw 5/16-18 x 3/4
194	73900500	Nut Lock Hex Flange 5/16-18
196	196379X428	Console Asm. Deck Lift
198	197300X505	Indicator Deck Lift
199	196377	Plate Deck Lift
222	137729	Screw 1/4-20 x 5/8
228	195161	Stud Fastner
235	406129	Spacer Fender
236	73930500	Nut Lock 5/16-18 unc
278	196394	Bracket Hood

NOTE: All component dimensions given in U.S. inches
1 inch = 25.4 mm

TRACTOR - - MODEL NUMBER 917.253260

GROUND DRIVE



Drive-tex_K66_pedal_2_r2

TRACTOR - - MODEL NUMBER 917.253260

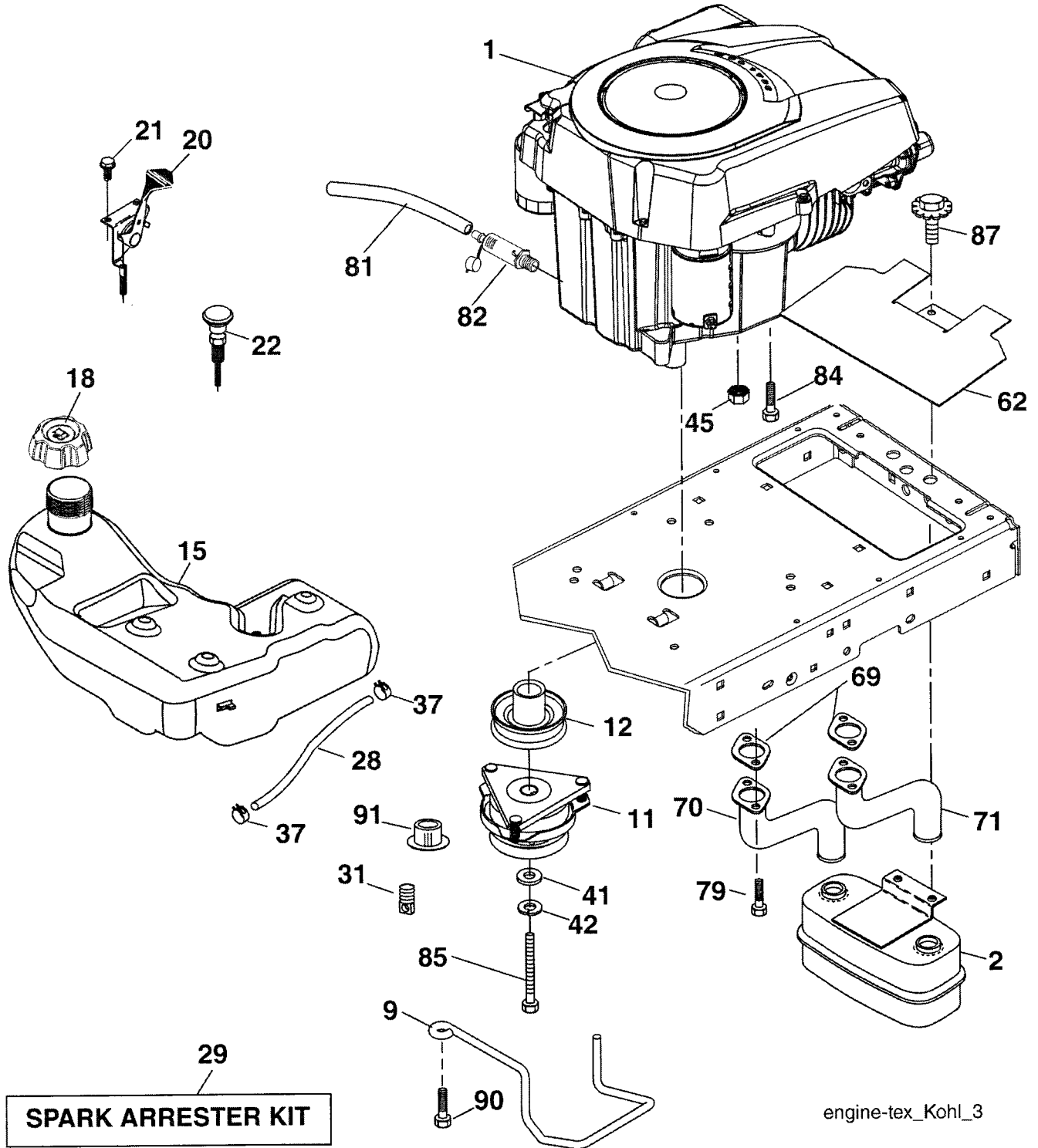
GROUND DRIVE

KEY NO.	PART NO.	DESCRIPTION	KEY NO.	PART NO.	DESCRIPTION
1	199973	Transaxle, TUFF TORQ K66	166	197290	Nut, Push
2	7070E	Key	167	405257	Latch Brake Parking
3	7563R	Hardened Washer	170	194322	Keeper Belt Centerspan
7	199837	Hub Asm. Wheel Rear	171	72110616	Bolt
9	140080	Bolt Hub Wheel Rear	183	197357	Spacer Split
15	19131316	Washer 13/32 x 13/16 x 16 Ga.	184	195361X505	Handle Parking Brake
17	401072	Spring, Brake	185	72110620	Bolt
26	199679	Spring Return Cruise	186	194321	Spacer Retainer
29	407245	Rod, Brake	187	19133210	Washer
33	12000053	Ring E	188	194323	Link Clutch Ground Drive
35	197275	Rod, Brake, Park	189	194317	Bellcrank Ground Drive
42	8883R	Cover, Foot Pedal	190	194318	Keeper Bellcrank Ground Drive
49	72110614	Bolt			
50	194327	Pulley Idler Flat	196	17000616	Screw 3/8-16 x 1
51	73900600	Lock Nut 3/8-16	197	199769	Link Clutch Anti Rotation
52	194326	Idler V-Groove 910" Offset	206	197867	Bracket Mount Latch Cruise
56	125907X	V-Belt, Drive	207	197868	Latch Control Cruise
64	197865	Shaft Asm. Pedal Brake Control	208	197869	Gear Sector Control Cruise
69	123800X	Washer 1 1/32 x 1 5/8 x 16 Ga.	209	199466	Rod Control Cruise
73	74490544	Bolt Hex Flghd 5/16-18 Gr. 5	210	197860	Rocker Asm. Pedal Control
74	142432	Screw Hex Wsh Hi-Lo 1/4 x 1/2 unc	211	120183X	Bearing, Nylon
80	407182	Strap Torque	213	195352X428	Knob Control Cruise
92	74760520	Bolt Fin Hex 5/16-18 unc x 1.25	214	197302X428	Pad Pedal Forward
99	415744	Rod Bypass	215	197301X428	Pad Pedal Reverse
116	73900500	Nut Lock Hex Flange 5/16-18	216	196131	Bracket Pulley Idler
125	17000512	Screw 5/16-18 x 3/4	221	403187	Retainer Spring Clip Handle
143	17490508	Screw 5/16-18 x 1/2	222	79212010	Washer
153	4497H	Retainer Spring	224	193099X428	Console Toolbox
159	76020412	Pin Cotter 1/8 x 3/4	225	407311	Keeper Belt Trans.
160	169484	Retainer Clip	226	407109	Bracket Mount Torque
161	105709X	Spring, Return, Clutch			
163	407246	Rod Pedal Control			

NOTE: All component dimensions given in U.S. inches
1 inch = 25.4 mm

TRACTOR - - MODEL NUMBER 917.253260

ENGINE



TRACTOR - - MODEL NUMBER 917.253260

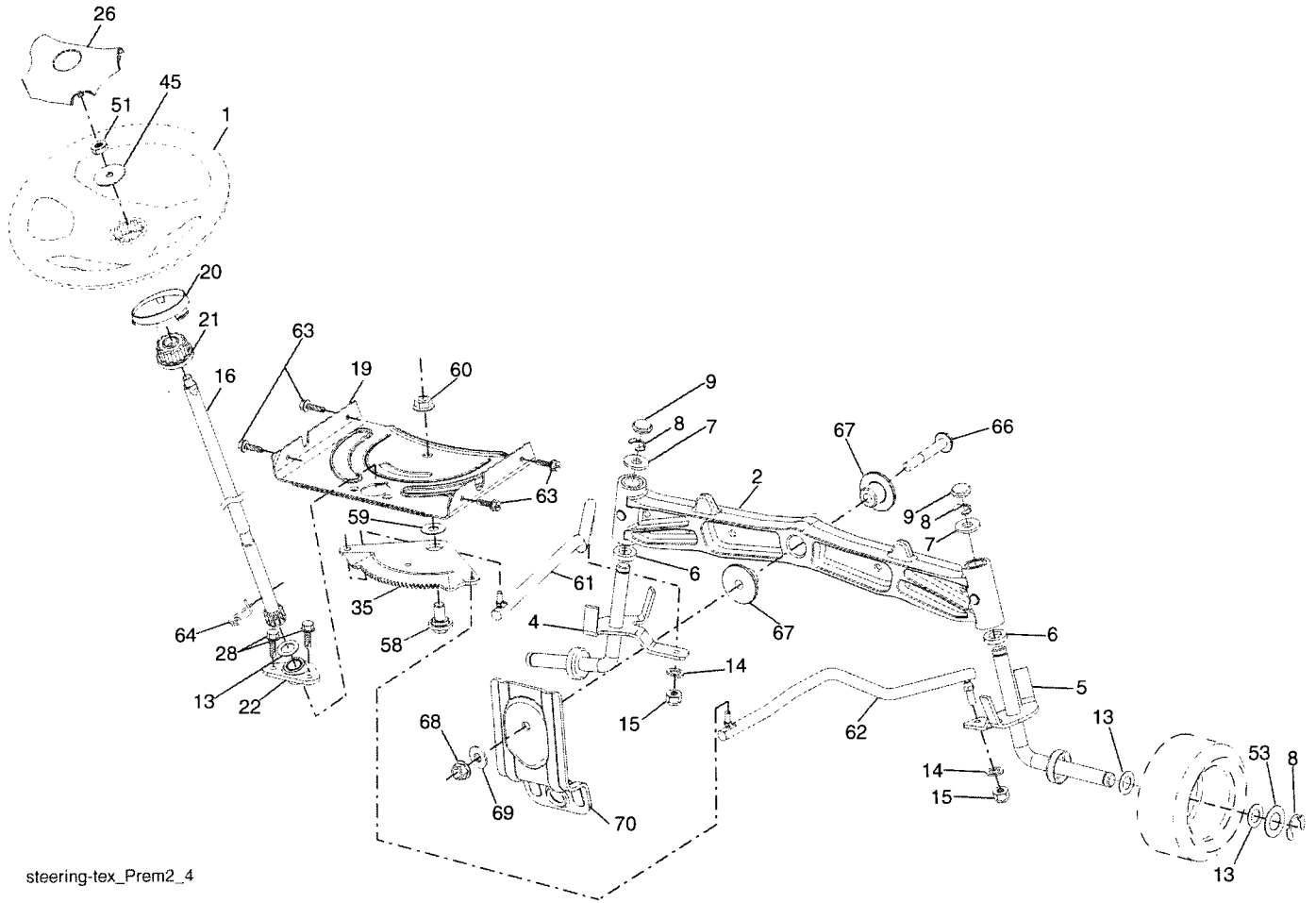
ENGINE

KEY NO.	PART NO.	DESCRIPTION
1	-----	Engine Kohler Model No. SV735-0019 (See Engine Breakdown)
2	149723	Muffler
9	194320	Keeper Asm. Belt Engine
11	179335	Clutch Electric
12	194343	Pulley Engine
15	193499	Tank Fuel 4.0
18	195951	Cap Asm
20	177328X505	Control Throttle
21	416358	Screw 10 x .750 BOS Thread
22	187767X505	Control Choke
28	8543R	Fuel Line
29	137180	Spark Arrester Kit
31	145006	Clip Push-In Hinged
37	123487X	Clamp Hose
41	126197X	Washer 1-1/2 OD x 15/32 ID x .250
42	10040700	Washer Lock 7/16
45	73510400	Nut Keps Hex 1/4-20 unc
62	146629	Shield Heat Muffler
69	-----	Gasket (Order from Eng. Mfgr.)
70	146699	Tube Exhaust LH
71	146700	Tube Exhaust RH
79	192334	Screw 5/16-18 x 3/4
81	148456	Tube Drain Oil Easy
82	181654	Plug Drain Oil
84	17120616	Screw 3/8-16 x 1
85	179953	Bolt Hex 7/16-20 x 3.75 Gr. 5
87	198239	Bolt 5/16-18 unc x 1 w/Sems
90	17000616	Screw 3/8-16 x 1
91	187495	Bushing

NOTE: All component dimensions given in U.S. inches
1 inch = 25.4 mm

TRACTOR - - MODEL NUMBER 917.253260

STEERING ASSEMBLY



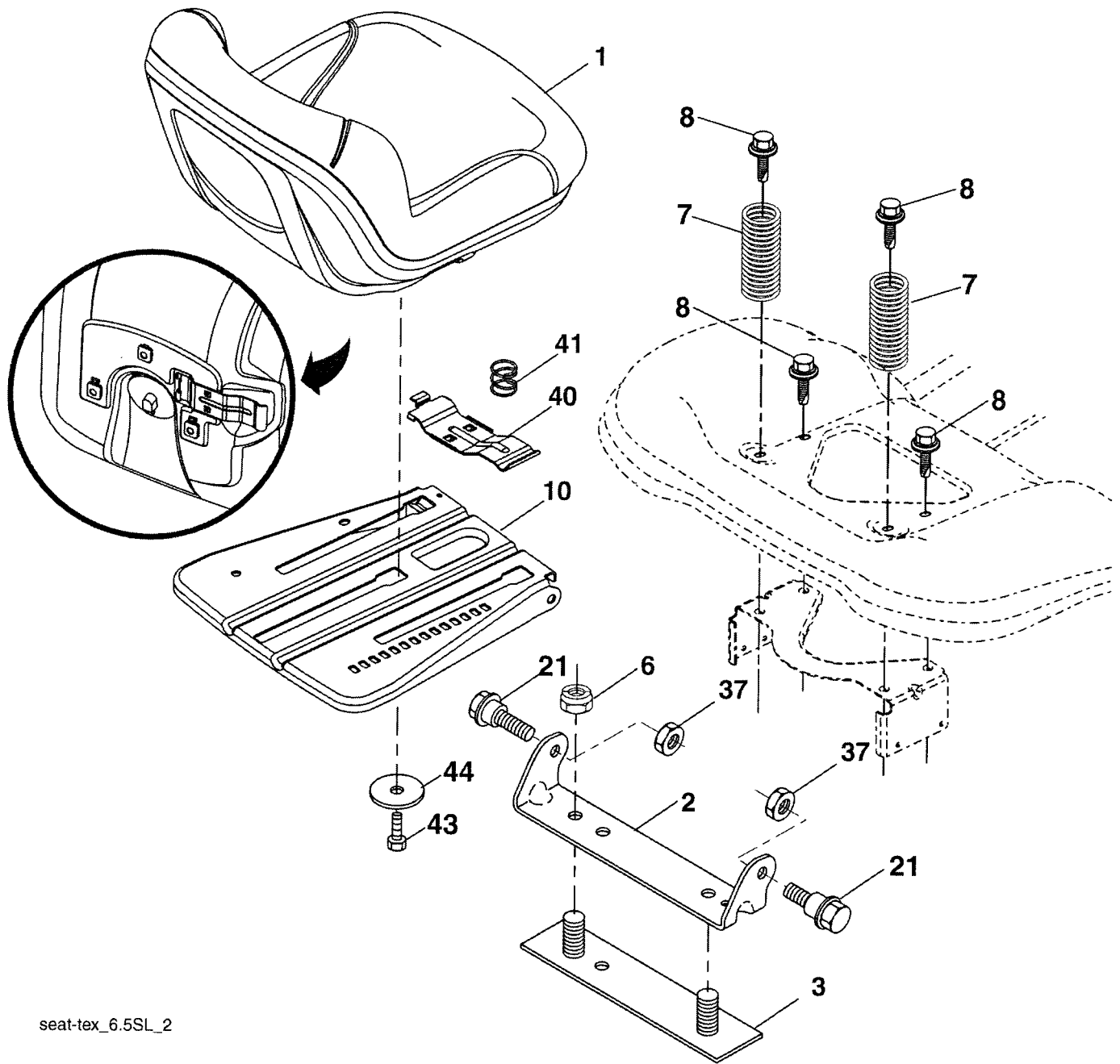
steering-tex_Prem2_4

KEY NO.	PART NO.	DESCRIPTION	KEY NO.	PART NO.	DESCRIPTION
1	414851X428	Wheel, Steering	51	73940800	Nut Hex Jam Toplock 1/2-20 unf
2	195968	Axle Asm., Front	53	188967	Washer Hardened .793 x 1.637 x .060
4	403089	Spindle Asm., LH	57	197246	Bracket Upstop
5	403090	Spindle Asm., RH	58	194747	Bolt Shoulder Sector Pivot CFM
6	6266H	Bearing, Race Thrust Harden	59	194748	Washer Thrust Sector Steering
7	121748X	Washer 25/32 x 1-5/8 x 16 Ga.	60	73971000	Nut Flange Lock 5/8-11
8	1200029	Ring, Clip #T5304-75	61	194740	Draglink, LH
9	184946X505	Cap, Spindle	62	194741	Draglink, RH
13	121749X	Washer 25/32 x 1-1/4 x 16 Ga.	63	17000512	Screw 5/16-18 x 3/4
14	10040600	Washer, Lock Hvy Hlcl Spr 3/8	64	199849	Retainer Clip Spring Steering
15	73540600	Nut, Crown Lock 3/8-24 unf	66	71020748	Bolt Hex Fghd 7/16-14 x 3 Serr
16	194746	Shaft Steering	67	194737	Bushing PM Front Axle
19	194729	Plate Steering	68	73900700	Nut Lock Flange 7/16-14 Gr. 5
20	195626X428	Boot, Steering	69	199162	Washer 1.5 x .505 x .118
21	186737	Adapter, Wheel Steering	70	196197	Bracket Deck Susp. Front
22	194845	Bushing, Strg. Blk			
26	414852X428	Insert, Wheel Steering			
28	17000612	Screw 3/8-16 x 3/4			
35	194732	Gear, Sector Plate			
45	19183812	Washer 9/16 x 2-3/8 x 12 Ga.			

NOTE: All component dimensions given in U.S. inches
1 inch = 25.4 mm

TRACTOR -- MODEL NUMBER 917.253260

SEAT ASSEMBLY



seat-tex_6.5SL_2

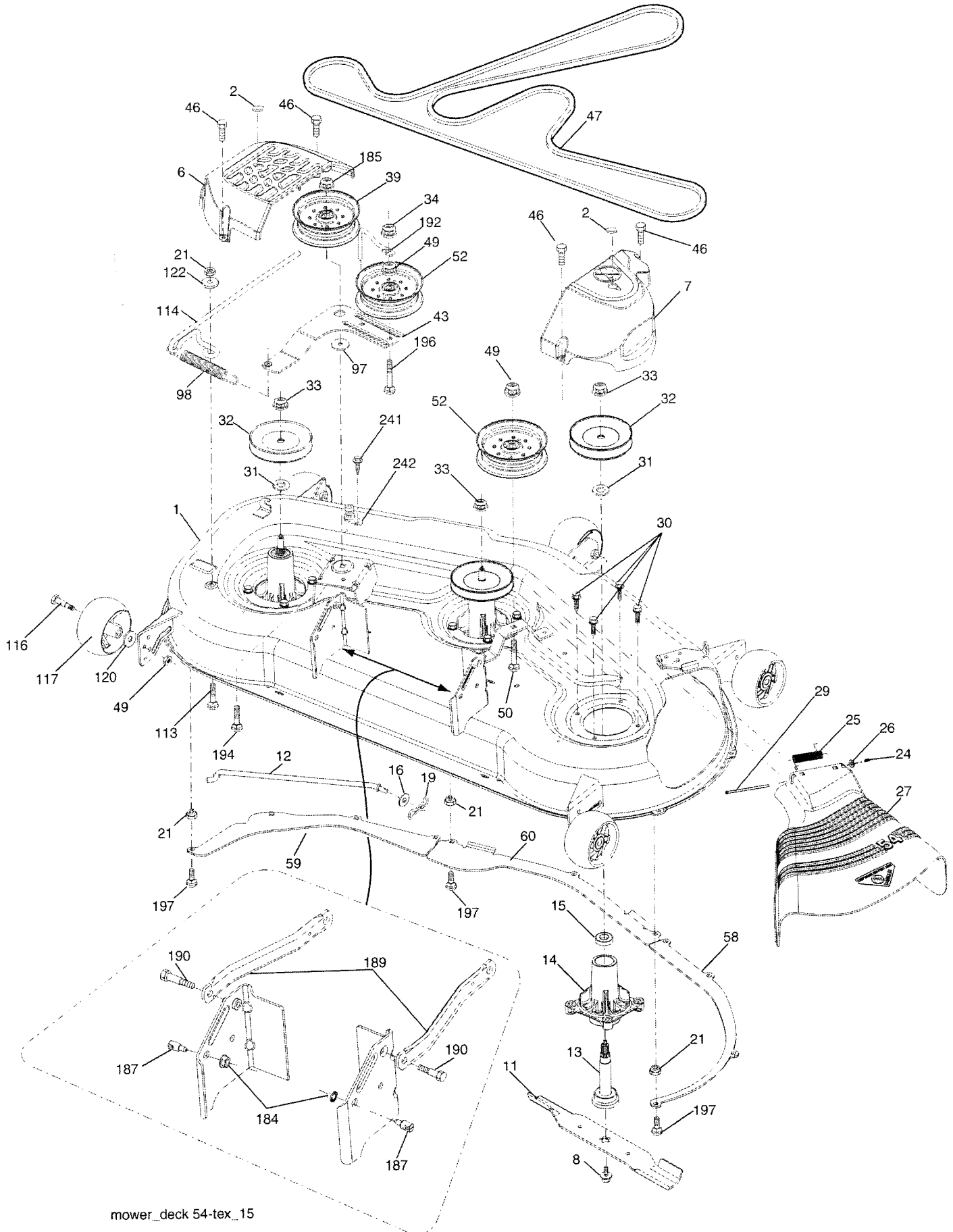
KEY NO.	PART NO.	DESCRIPTION
1	406622	Seat
2	180166	Bracket Pivot Fender
3	140675	Strap, Asm Fender
6	73800600	Nut, Lock w/Ins. 3/8-16 unc
7	124181X	Spring, Seat Cprsn
8	171877	Bolt 5/16-18 unc x 3/4 w/Sems
10	196977	Pan, Seat
21	171852	Bolt, Shoulder 5/16-18

KEY NO.	PART NO.	DESCRIPTION
37	73800500	Nut, Lock 5/16-18 unc
40	197661	Handle Slide Seat
41	198200	Spring Latch Seat
43	74760612	Bolt Fin Hex 3/8-16 unc x 3/4
44	19133812	Washer 13/32 x 2-3/8 x 12 Ga.

NOTE: All component dimensions given in U.S. inches
1 inch = 25.4 mm

TRACTOR - - MODEL NUMBER 917.253260

MOWER DECK



mower_deck 54-tex_15

TRACTOR - - MODEL NUMBER 917.253260

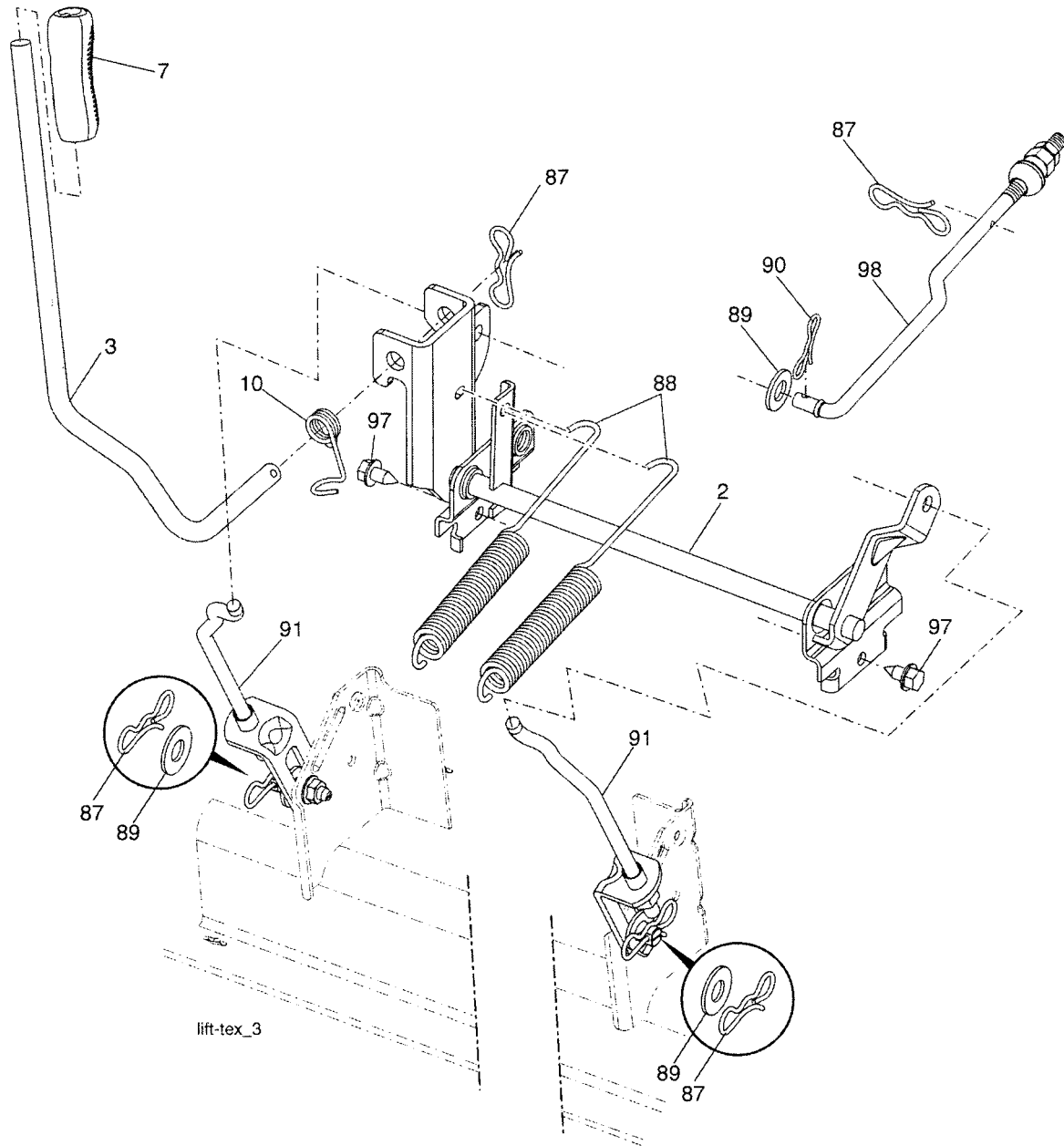
MOWER DECK

KEY NO.	PART NO.	DESCRIPTION	KEY NO.	PART NO.	DESCRIPTION
1	195632	Deck Weldment Mower	58	187342	Baffle Right
2	178345	Plug Hole Mandrel	59	187344	Baffle Left
6	196066	Cover Mandrel LH	60	187607	Baffle Center
7	197181	Cover Mandrel RH	97	178515	Washer Hardened
8	174365	Bolt 7/16 Asm. Blade	98	196105	Spring Drive
11	401286	Blade 54" Discharge	113	72110508	Bolt Rdhd Sqnk 5/16-18 x 3/4
12	400337	Rod Anti-Sway	114	187556	Rod Tension Relief
13	187291	Shaft Asm. w/Lower Bearing	116	193406	Bolt, Shoulder
14	187281	Housing, Mandrel	117	174873	Gauge Wheel
15	110485X	Bearing, Ball, Mandrel	120	19132012	Washer 13/32 x 1-1/4 x 12 Ga.
16	19131312	Washer 13/32 x 13/16 x 12 Ga.	122	187557	Bushing Tension Relief
19	194208	Pin Cotter 5/16 Bow Tie Lock	185	73900700	Nut Lock Flange 7/16-14 Gr. 5
21	73680500	Nut, Crownlock 5/16-18 unc	187	195161	Stud Fastener w/"D" Anti-Rotation
24	105304X	Cap Sleeve	188	73900500	Nut Lock Hex Flange 5/16-18
25	178102	Spring, Torsion	189	195185	Arm Susp. Mower Rear
26	110452X	Nut, Push	190	196539	Bolt Shoulder
27	187257X428	Deflector Shield	192	198468	Keeper Belt Idler
29	131491	Rod, Hinge	194	72140716	Bolt Carr Sqnk 3/8-16 x 2-1/4
30	173984	Screw, Thdroll Washer Head	196	72140620	Bolt Rdhd 3/8-16 unc x 2-1/2 Gr. 5
31	187690	Washer, Spacer Mower Vented	197	72140508	Bolt RDHD SQNK 5/16-18 unc x 1
32	153535	Pulley, Mandrel	241	152927	Screw TT #10-32.5.3/8 Flange
33	400234	Nut, Fig. Top Lock	242	415598	Port Washout
34	73680600	Nut Crownlock 3/8-16 unc	--	187292	Mandrel Assembly (Includes housing, shaft assembly, and bearing only - pulley/nut/washer and blade bolt/washers not included)
39	197380	Pulley, Idler, Stationary	--	403349	Replacement Mower, Complete
43	196065	Arm, Idler			
46	137729	Screw, Thdroll. 1/4-20 x 5/8			
47	196103	V-Belt, Mower			
49	73900600	Nut, Lock Fig. 3/8-16 unc			
50	72110616	Bolt Rdhd Sqnk 3/8-16 unc x 2			
52	197379	Pulley Idler			

NOTE: All component dimensions given in U.S. inches
1 inch = 25.4 mm

TRACTOR - - MODEL NUMBER 917.253260

LIFT ASSEMBLY



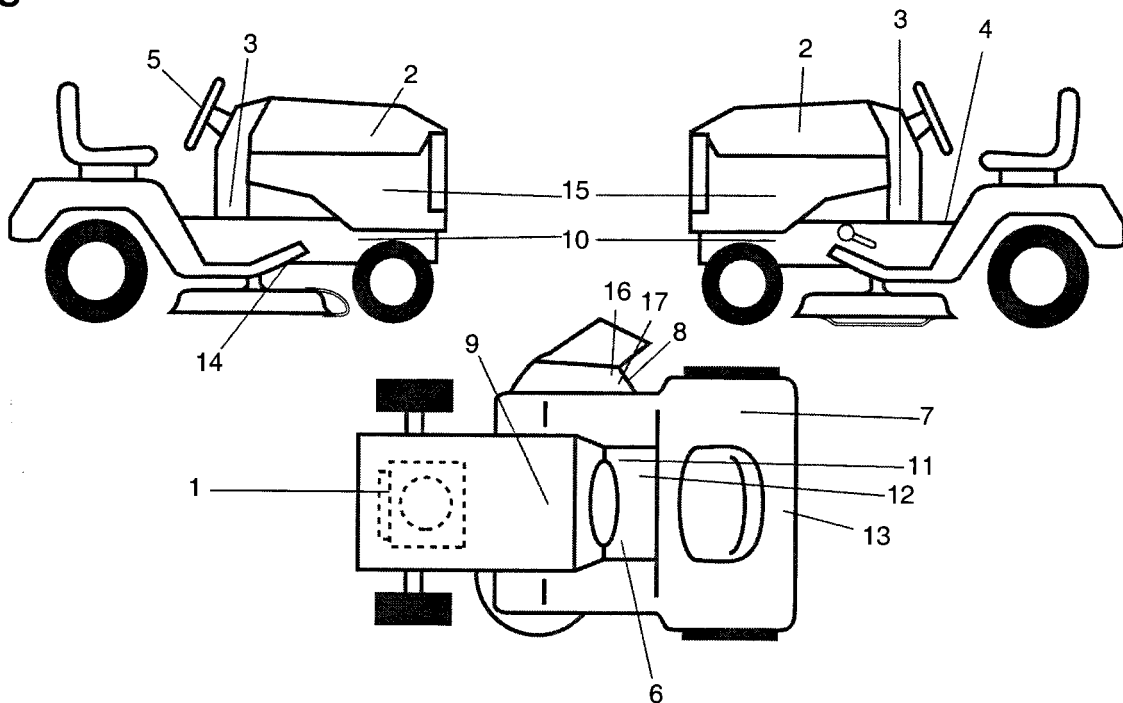
KEY NO.	PART NO.	DESCRIPTION
2	195223	Shaft Asm., Lift
3	195230	Lever Asm., Lift RH
7	196492X428	Grip, Lever
10	196314	Spring Torsion
87	194209	Pin Cotter 7/16 Bow Tie Lock
88	195304	Spring Lift Assist
89	19191912	Washer Clear Zinc

KEY NO.	PART NO.	DESCRIPTION
90	194208	Pin Cotter 5/16 Bow Tie Lock
91	403407	Link Lift Susp Mower Rear
97	17000612	Screw 3/8-16 x 3/4
98	195264	Link Lift Susp. Front Mower

NOTE: All component dimensions given in U.S. inches
1 inch = 25.4 mm

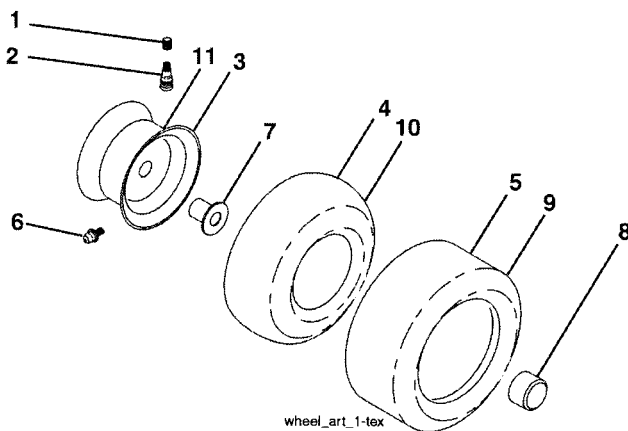
TRACTOR -- MODEL NUMBER 917.253260

DECALS



KEY NO.	PART NO.	DESCRIPTION	KEY NO.	PART NO.	DESCRIPTION
1	196841	Decal, Warning Eng. Sym	15	410711	Decal, Side Panel
2	417899	Decal, Hood	16	182166	Decal, Cutfinger CE 02
3	404605	Decal, Dash Lower	17	196357	Decal, Deflect WRN Cutfinger Sym
4	400389	Decal, Warning Sym	--	162598	Decal, Drawbar Load Limit
5	420121	Decal, Strg Whl	--	166960	Decal, Bypass
6	159737	Decal, Brake/Clutch	--	193279X428	Pad, Footrest, RH
7	180433	Decal, Fender 105 DB/CE	--	193101X428	Pad, Footrest, LH
8	198785	Decal, Mower Sch.	--	420138	Manual, Parts
9	145005	Decal, Battery Dnge/Poi	--	420134	Manual, Operator's Euro
10	159736	Decal, Chassis Hot Muffler	--	420135	Manual, Operator's Scan
11	140837	Decal, Saddle Brake Parking	--	420136	Manual, Operator's E-Bloc
12	178302	Decal, Operator Cruise Sym	--	420137	Manual, Operator's Baltic
13	411697	Decal, Fender			
14	199135	Decal, Mower V-belt Sch.			

WHEELS & TIRES



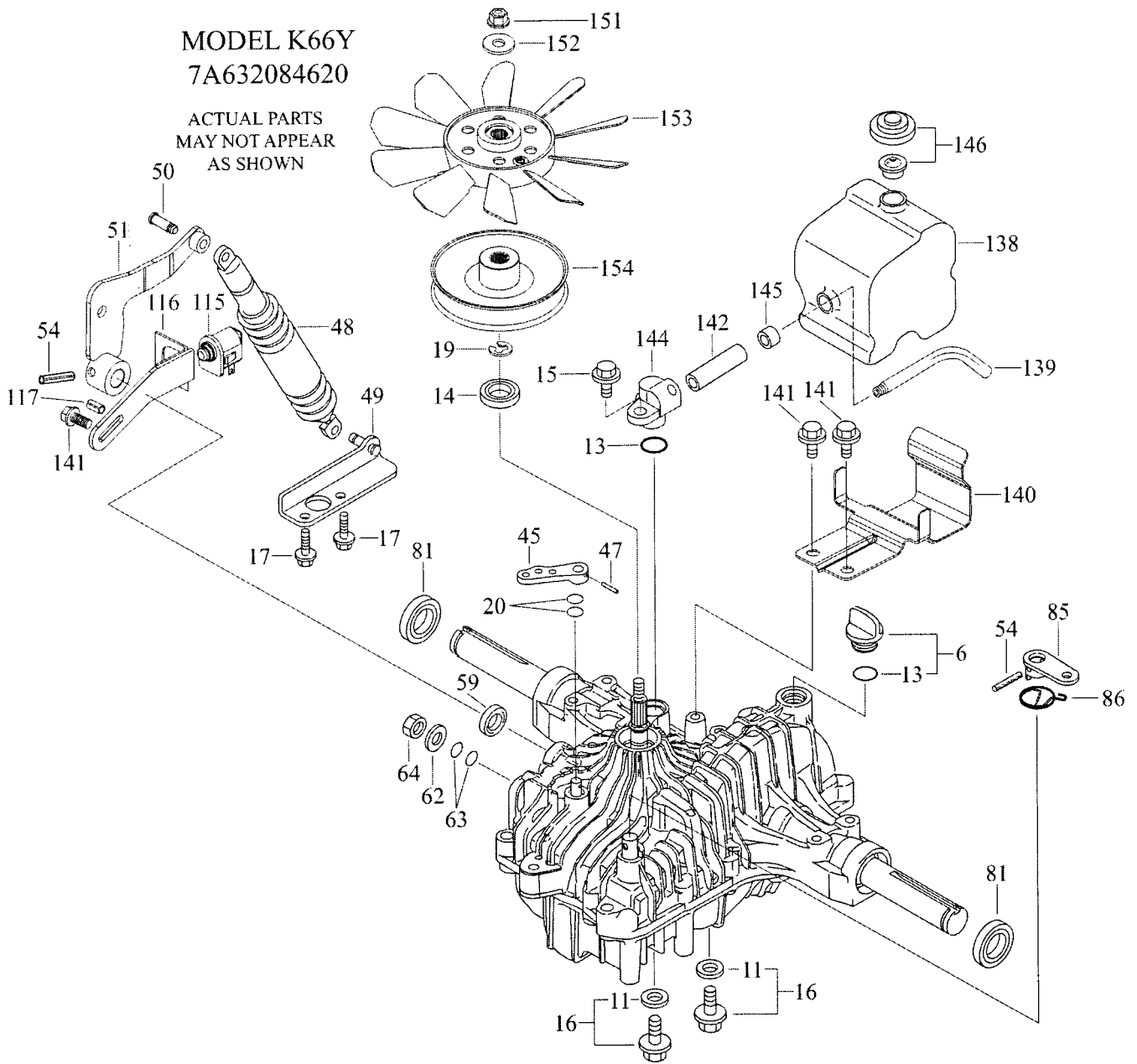
KEY NO.	PART NO.	DESCRIPTION
1	59192	Cap, Valve, Tire
2	65139	Stem, Valve
3	106228X645	Rim Assembly, Front
4	8134H	Tube, Front (Service Item Only)
5	106230X	Tire, Front
6	278H	Fitting, Grease (Front Wheel Only)
7	9040H	Bearing, Flange (Front Wheel Only)
8	104757X645	Cap, Axle (Front Wheel Only)
9	105588X	Tire, Rear
10	7154J	Tube, Rear (Service Item Only)
11	106277X645	Rim Assembly, Rear
--	144334	Sealant, Tire (10 oz. Tube)

NOTE: All component dimensions given in U.S. inches
1 inch = 25.4 mm

TRACTOR - - MODEL NUMBER 917.253260 TUFFTORQ TRANSAXLE - MODEL K66Y

MODEL K66Y
7A632084620

ACTUAL PARTS
MAY NOT APPEAR
AS SHOWN



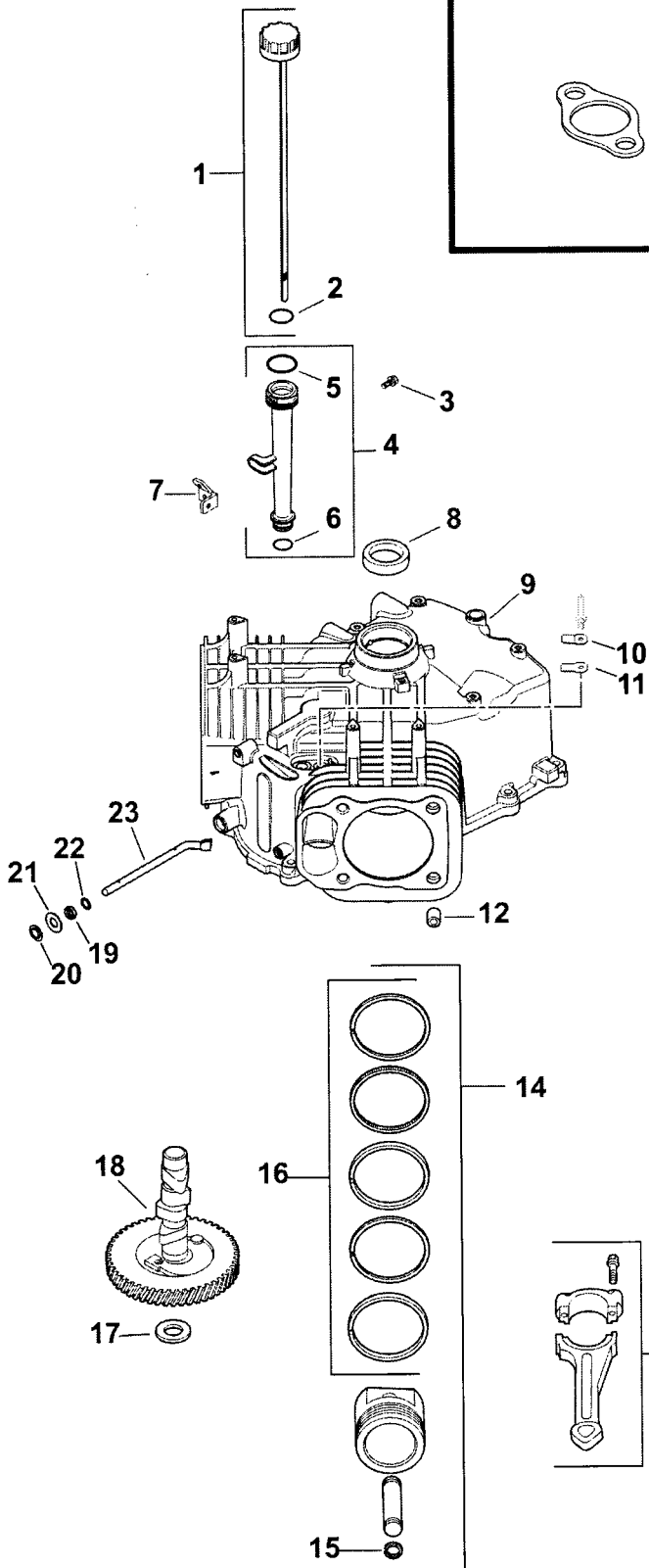
**TRACTOR - - MODEL NUMBER 917.253260
TUFFTORQ TRANSAXLE - MODEL K66Y**

KEY NO.	PART NO.	DESCRIPTION
6	414182	Oil Cap M20b Plastic
11	414183	Seal Washer 10
13	414184	O-ring P18
14	414185	Seal Tc 153507
15	414186	Bolt 8 * 20
16	414187	Bolt 10 * 12
17	414188	Tapping Screw 8 * 30
19	414189	E-ring 15
20	414190	O-ring 1a P10a
45	414191	Bypass Lever
47	414192	Pin 3.0a * 20
48	414193	Shock Absorber K65
49	414194	Stay
50	414195	Pin
51	414196	Control Lever
54	414197	Roll Pin 6 * 40
59	414198	Seal Tc 162606
62	414199	Washer 12
63	414200	O-ring 1a P14
64	414201	Nut 12
81	414202	Seal (S25.4 * 42 * 8)
85	414203	Brake Lever
86	414204	Brake Return Spring
115	414205	Switch 6440-11 Delta
116	414206	Switch Plate
117	414207	Roll Pin 8 * 16
138	414208	Reservoir Tank
139	414209	Pipe 8
140	414210	Tank Bracket
141	414211	Tapping Screw 8 * 20
142	414212	Tank Spacer
144	414213	Fitting
145	414214	Seal
146	414215	Vent Valve 15
151	414216	Lock Nut 10
152	414217	Washer 11 * 32 * 3.2
153	414218	Fan
154	414414	Pulley L

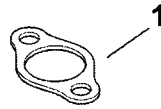
NOTE: All component dimensions given in U.S. inches
1 inch = 25.4 mm

TRACTOR - - MODEL NUMBER 917.253260
KOHLER ENGINE - MODEL NUMBER SV735, TYPE NUMBER 0019

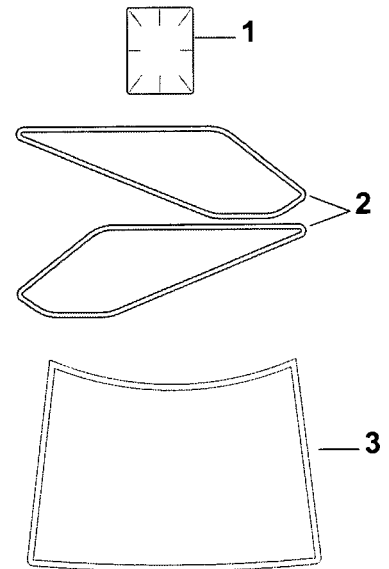
CRANKCASE 2-32-1



EXHAUST 11-32-2

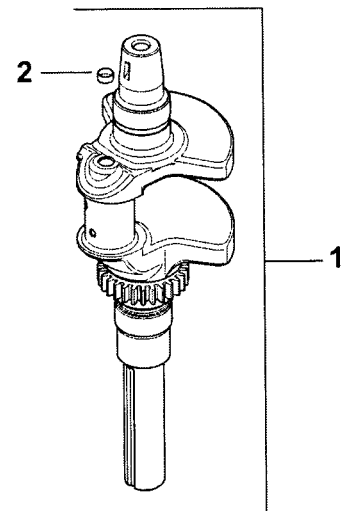


DECALS 12-32-21



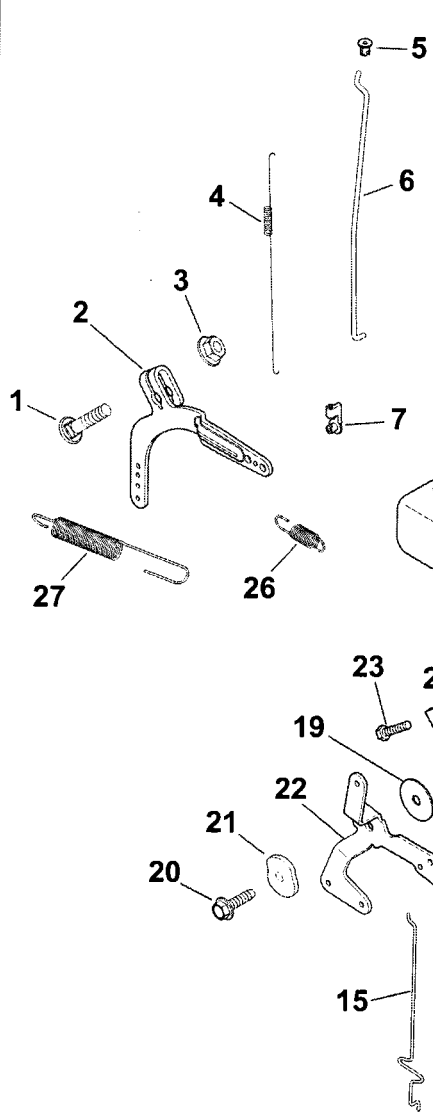
Artwork is representative.
 Actual labels may differ
 depending on model and
 specification number.

CRANKSHAFT 1-32-3

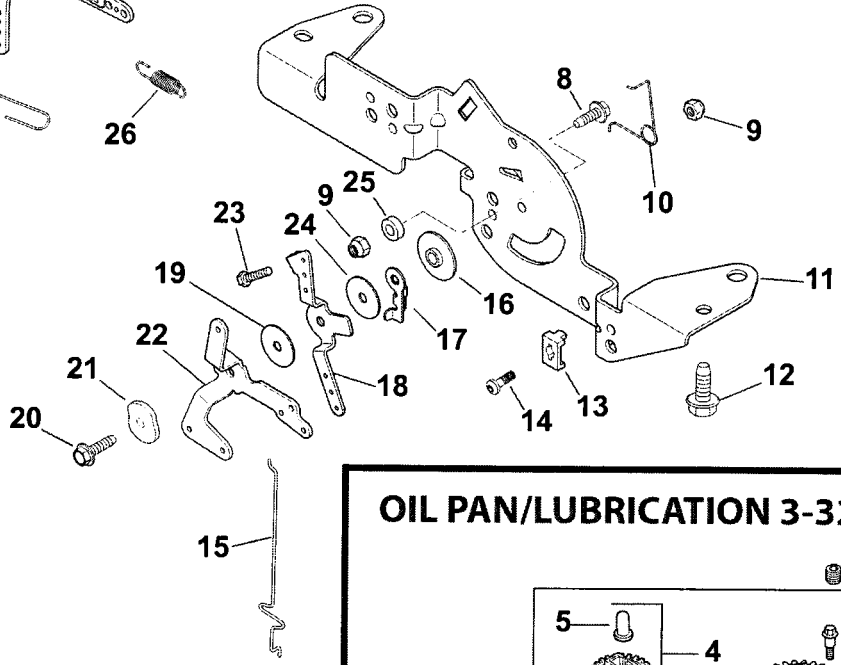
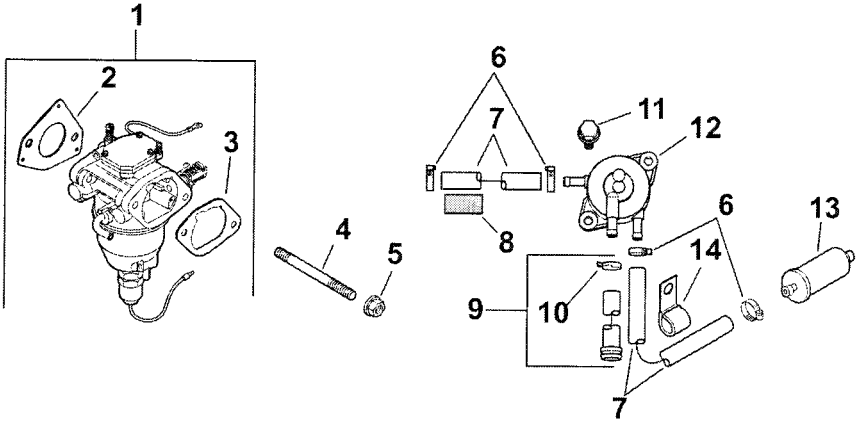


TRACTOR - - MODEL NUMBER 917.253260
KOHLER ENGINE - MODEL NUMBER SV735, TYPE NUMBER 0019

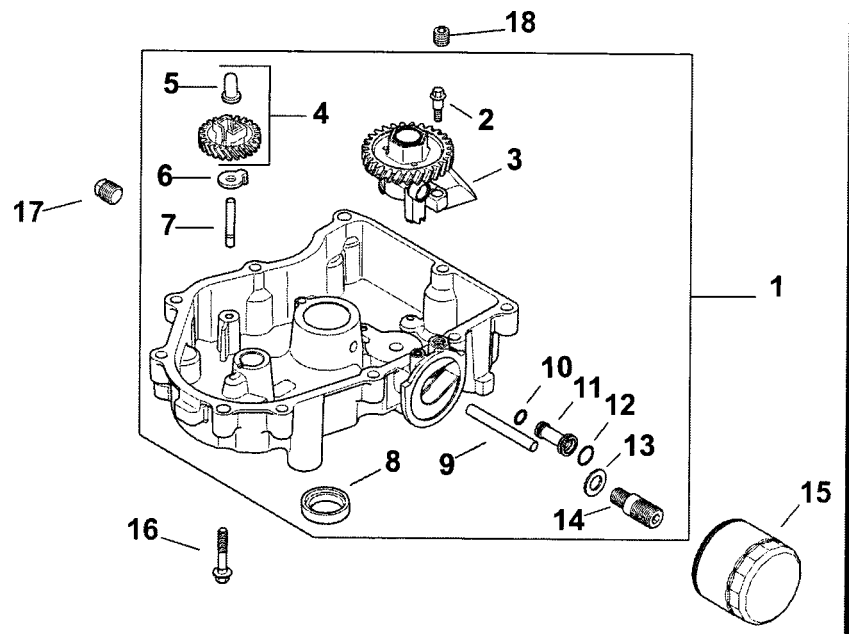
ENGINE CONTROLS 9-32-4



FUEL SYSTEM 8-32-9

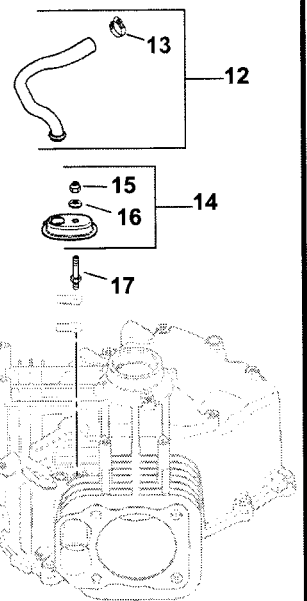
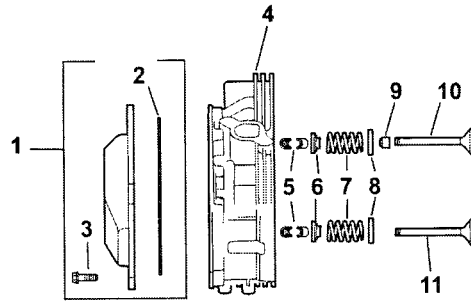


OIL PAN/LUBRICATION 3-32-4

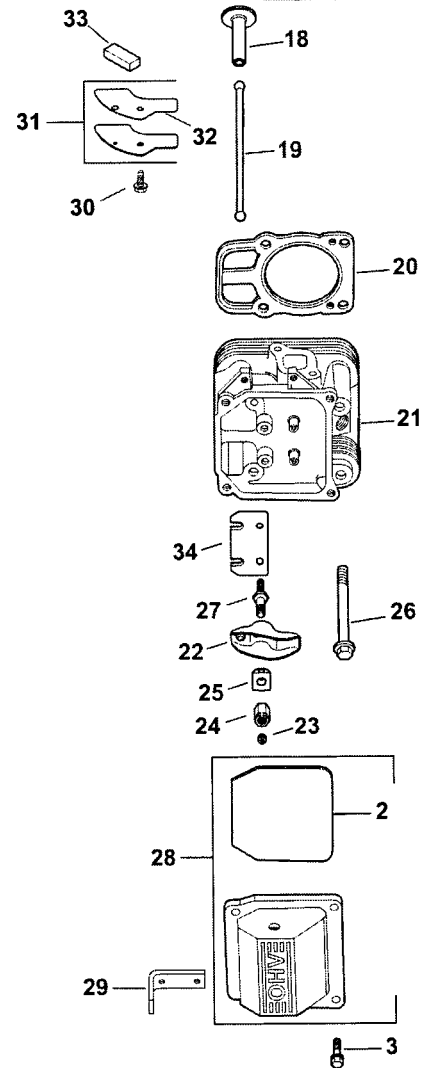
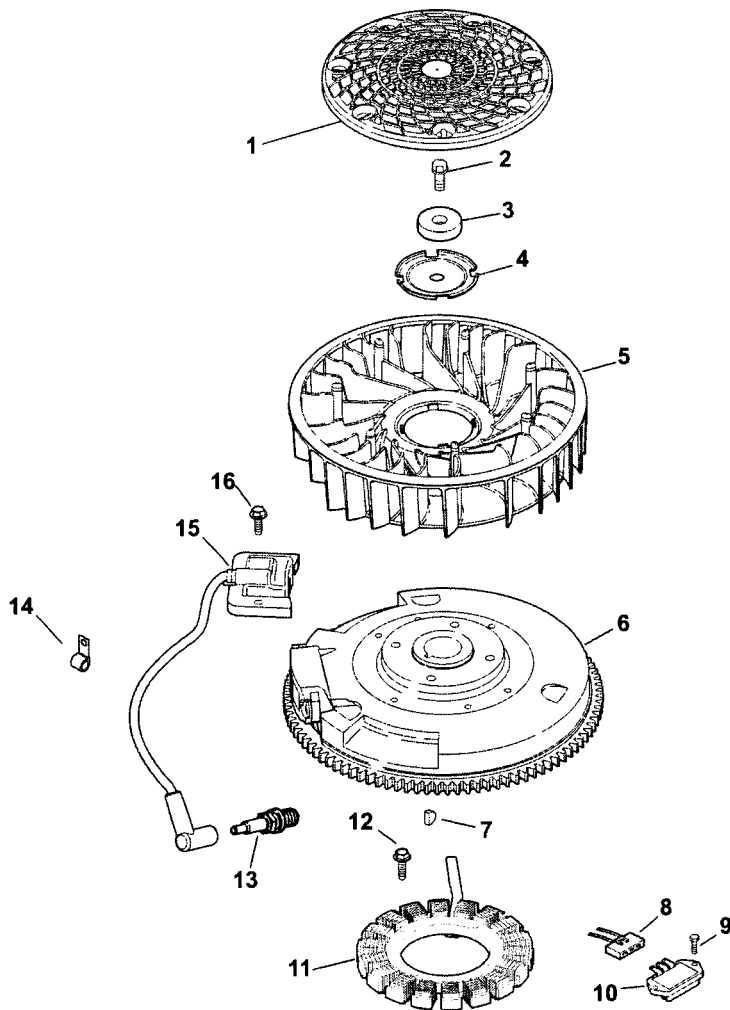


TRACTOR - - MODEL NUMBER 917.253260
KOHLER ENGINE - MODEL NUMBER SV735, TYPE NUMBER 0019

HEAD/VALVE/BREATHER 4-32-1

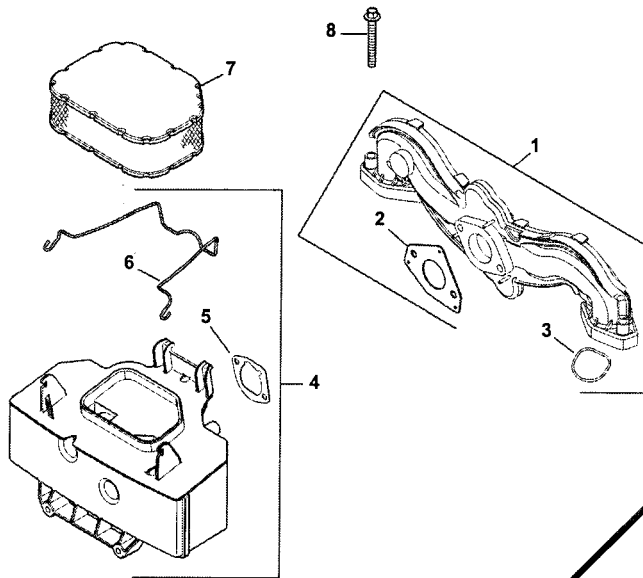


IGNITION/ELECTRICAL 5-32-37

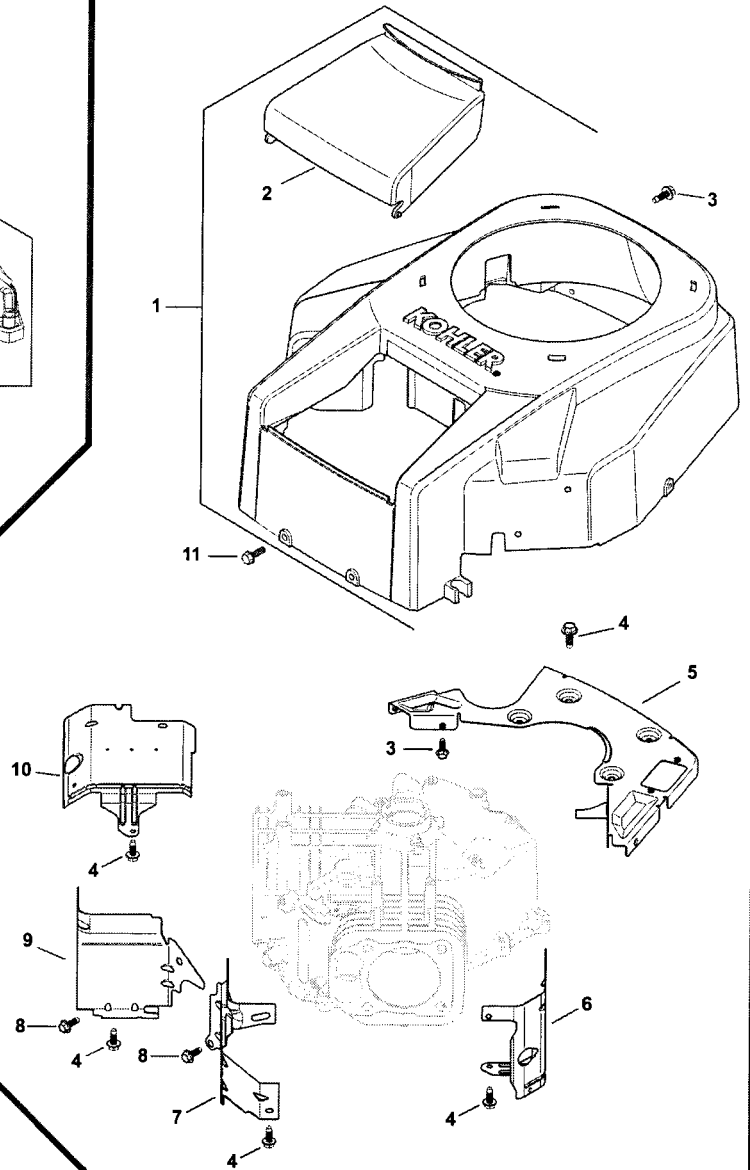


TRACTOR - - MODEL NUMBER 917.253260
KOHLER ENGINE - MODEL NUMBER SV735, TYPE NUMBER 0019

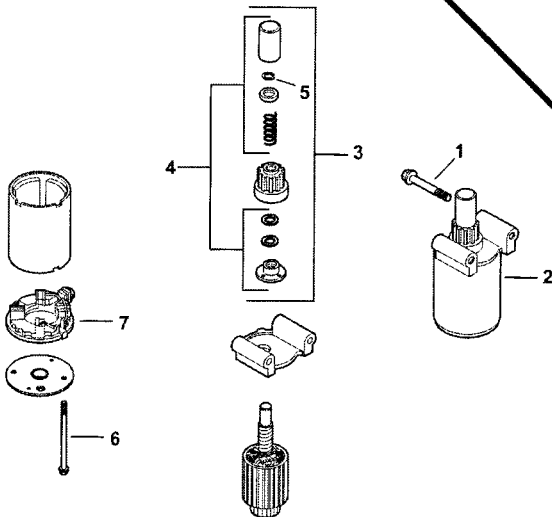
AIR INTAKE/FILTRATION 10-32-1



BLOWER HOUSING & BAFFLES 6-32-1



STARTING SYSTEM
7-32-1



TRACTOR - - MODEL NUMBER 917.253260

KOHLER ENGINE - MODEL NUMBER SV735, TYPE NUMBER 0019

KEY NO.	PART NO.	DESCRIPTION
CRANKSHAFT 1-32-3		
1	32 014 02-s	Crankshaft (Incl. 2)
2	52 139 09-s	Plug, Cup
CRANKCASE 2-32-1		
1	24 038 04-s	Dipstick, Assy (Incl. 2)
2	25 153 02-s	O-ring, Dipstick
3	M-545013-s	Screw, Flg Thd Frm M5 X 0.8 X 13
4	12 123 35-s	Tube, Oil Fill Assembly
5	12 153 02-s	O-ring, Upper Oil Fill Tube
6	12 153 01-s	O-ring, Lower Oil Fill Tube
7	24 126 19-s	Bracket, Oil Fill Tube
8	24 032 19-s	Seal, Oil (Helix Lip)
9		Crankcase (Use Short Block)
10	24 018 04-s	Retainer, Breather Reed
11	12 402 02-s	Reed, Breather
12	24 380 16-s	Pin, Locating
13	24 067 24-s	Connecting Rod (Std)
14	25 874 01-s	Kit, Piston W/ring Set (Std) (Incl. 15, 16)
--	24 874 27-s	Kit, Piston W/ring Set (.08)
--	24 874 28-s	Kit, Piston W/ring Set (.25)
15	24 018 01-s	Retainer, Piston Pin
16	24 108 14-s	Ring Set (Std)
--	24 108 15-s	Ring Set (.08)
--	24 108 16-s	Ring Set (.25)
17	12 422 07-s	Shim, Camshaft (White .028")
--	12 422 08-s	Shim, Camshaft (Blue .03")
--	12 422 09-s	Shim, Camshaft (Red .032")
--	12 422 10-s	Shim, Camshaft (Yellow .034")
--	12 422 11-s	Shim, Camshaft (Green .036")
--	12 422 12-s	Shim, Camshaft (Gray .038")
--	12 422 13-s	Shim, Camshaft (Black .04")
18	32 012 01-s	Kit, Camshaft (Incl. 25 357 14-s)
19	28 032 09-s	Seal, Governor Cross Shaft
20	24 018 09-s	Retainer, Ring
21	M-931010-s	Washer, Flat 9 Mm
22	24 468 15-s	Washer, Flat 11/32"
23	24 144 38-s	Shaft, Governor Cross

NOT ILLUSTRATED

-- 25 357 14-s Lubricant, Camshaft

OIL PAN/LUBRICATION 3-32-4

1	32 199 07-s	Pan Assembly, Oil (Incl. 2-14)
2	32 086 01-s	Screw, Shd Thd Frm M6x.0x6.5
3	32 393 10-s	Pump Assembly, Oil
4	24 043 12-s	Kit, Governor Gear W/pin (Incl. 5)
5	12 380 01-s	Pin, Governor Regulating
6	24 448 02-s	Tab, Locking
7	12 144 02-s	Shaft, Governor Gear
8	24 032 06-s	Seal, Oil (W/o Grease)
9	32 123 01-s	Tube, Oil Feed - Filter To Pan
10	24 153 01-s	O-ring, Oil Pick-up
11	32 123 06-s	Tube, Oil Feed
12	32 153 05-s	O-ring
13	32 468 02-s	Washer, Flat
14	32 136 05-s	Nipple, Oil Filter
15	12 050 01-s	Filter, Oil
16	24 086 17-s	Screw, Flg M8x1.25x45
17	25 139 57-s	Plug, Sq Hd Pipe 3/8"

KEY NO.	PART NO.	DESCRIPTION
HEAD/VALVE/BREATHER 4-32-1		
1	24 755 141-s	Kit, Plain Rocker Cover (Incl. 2 [Qty 1], 3 [Qty 4])
2	24 153 30-s	O-ring, Valve Cover
3	M-651030-s	Screw, Flg M6x1.0x30
4	32 318 05-s	Kit, #1 Cylinder Head Assy (Incl. 26 [Qty 4] & 24 841 03-s)
5	12 755 03-s	Kit, Retainer
6	12 173 01-s	Cap, Valve Spring
7	24 089 02-s	Spring, Valve
8	235011-s	Retainer, Spring
9	66 032 05-s	Seal, Valve Stem
10	24 017 01-s	Valve, Intake (Std)
11	24 016 01-s	Valve, Exhaust (Std)
12	32 326 06-s	Kit, Breather Hose (Incl. 13[Qty 1])
13	25 237 14-s	Clamp, Hose
14	32 081 02-s	Kit, Breather Housing (Incl. 15,16)
15	M-547050-s	Nut, Lock M5x0.8
16	32 468 01-s	Washer, Sealing
17	32 072 03-s	Stud, Breather Cover
18	32 019 02-s	Tappet
19	32 411 04-s	Rod, Push
20	24 841 03-s	"Kit, Cylinder Head Gasket (Incl. Head Mounting Hardware & 24 041 49-s, 24 153 27-s)"
21	32 318 06-s	Kit, #2 Cylinder Head Assy (Incl. 26 [Qty 4] & 24 841 03-s)
22	32 186 03-s	Arm, Rocker
23	25 100 33-s	Nut, M10x0.75
24	25 086 128-s	Screw, Set
25	25 599 01-s	Pivot, Rocker Arm
26	12 086 16-s	Screw, Flg M10x1.5x90
27	32 072 04-s	Stud, Rocker
28	32 096 06-s	Kit, Breather Valve Cover (Incl. 2[Qty 1])
29	24 445 01-s	Strap, Lifting
30	M-645016-s	Screw, Flg Thd Frm M6x1.0x16
31	32 096 04-s	Kit, Breather Cover (Incl. 32)
32	32 041 01-s	Gasket, Breather Cover
33	32 050 01-s	Filter, Breather
34	32 146 09-s	Plate, Guide

NOT ILLUSTRATED

-- 24 041 49-s Gasket, Exhaust
 -- 24 153 27-s O-ring, Intake Port
 -- 32 755 03-s "Kit, Cylinder Head Hardware (Services 1 Head. (Incl. 5-11,19,22,25,34))"

STARTING SYSTEM 7-32-1

1	M-839080-s	Screw, Flg M8x1.25x80
2	32 098 01-s	Starter Assembly
3	12 755 39-s	Kit, Drive
4	12 755 38-s	Kit, Drive Parts (Incl. 5)
5	32 141 01-s	Ring, Retaining
6	32 211 01-s	Bolt, Thru
7	12 243 04-s	Commutator, End Cap

NOTE: All component dimensions given in U.S. inches
 1 inch = 25.4 mm

TRACTOR - - MODEL NUMBER 917.253260
KOHLER ENGINE - MODEL NUMBER SV735, TYPE NUMBER 0019

KEY NO.	PART NO.	DESCRIPTION
IGNITION/ELECTRICAL 5-32-37		
1	32 162 03-s	Screen, Grass
2	12 086 14-s	Screw, Flg M10x1.5x45
3	12 468 03-s	Washer, Flat 13/32"
4	20 146 05-s	Plate, Fan Mounting
5	32 157 01-s	Fan
6	32 025 15-s	Flywheel Assembly (Sv735/740)
7	X-42-15-s	Key, 3/16" X 5/8"
8	25 155 41-s	ConnectOr
9	M-545016-s	Screw, Flg Thd Frm M5x0.8x16
10	41 403 10-s	Regulator/rectifier
11	237878-s	Kit, 15 Amp Stator (Incl. 25 452 01-s)
12	M-548025-s	Screw, Thd Frm M5x0.8x25
13	25 132 14-s	Spark Plug, Rfi
14	47 154 01-s	Clip, Cable
15	24 584 52-s	Module Spark Adv (Dsai) Assy
16	M-545020-s	Screw, Flg Thd Frm M5x.8x20

NOT ILLUSTRATED

--	25 454 03-s	Tie, Wire
--	32 176 17-s	Kit, Harness, Wiring
--	25 452 01-s	Terminal

BLOWER HOUSING & BAFFLES 6-32-1

1	32 027 03-s	Kit, Housing Blower (Incl. 2, 41 037 10-s)
2	32 096 08-s	Cover, Air Cleaner
3	M-545016-s	Screw, Flg Thd Frm M5x0.8x16
4	M-645016-s	Screw, Flg Thd Frm M6x1.0x16
5	32 146 05-s	Plate, Backing
6	32 063 12-s	Baffle, Cyl Barrel - #2 Side
7	32 063 02-s	Baffle, Valley #2 Side
8	M-545010-s	Screw, Flg Thd Frm M5x0.8x10
9	32 063 03-s	Baffle, Valley #1 Side
10	32 063 10-s	Baffle, Cyl Barrel - #1 Side
11	24 086 12-s	Screw, Tap M6x1.7x18

NOT ILLUSTRATED

--	41 037 10-s	Nameplate, Service
--	25 086 158-s	Screw, Thread Forming

FUEL SYSTEM 8-32-9

1	32 853 08-s	Kit, Carburetor W/gaskets (Incl. 2,3)
2	24 041 52-s	Gasket, Carburetor
3	24 041 14-s	Gasket, Air Cleaner Base
4	M-629105-s	Stud, M6x1.0x106
5	M-641060-s	Nut, Flg M6x1.0
6	25 237 14-s	Clamp, Hose
7	25 111 34-s	Line, Fuel (24"-cut To Length)
8	25 431 10-s	Sleeve, Anti Abrasion
9	32 326 02-s	Kit, Fuel Pump Hose W/clamp (Incl. 10)
10	25 237 01-s	Clamp, Hose
11	24 086 12-s	Screw, Tap M6x1.7x18
12	24 393 16-s	Pump, Fuel
13	24 050 13-s	Filter, Fuel
14	47 154 01-s	Clip, Cable

NOT ILLUSTRATED

--	24 757 44-s	Kit, Repair Float
--	24 757 46-s	Kit, Repair Overhaul
--	24 757 36-s	Kit, Repair Service Choke
--	24 757 38-s	Kit, Repair Service Gasket
--	24 757 45-s	Kit, Repair Solenoid Valve

KEY NO.	PART NO.	DESCRIPTION
ENGINE CONTROLS 9-32-4		
1	24 211 03-s	Bolt, Rd Hd Sq Neck M6x1.0x25
2	24 090 51-s	Lever, Governor
3	M-641060-s	Nut, Flg M6x1.0
4	24 089 01-s	Spring, Linkage
5	25 158 08-s	Bushing, Linkage Retaining
6	24 079 04-s	Linkage, Throttle
7	25 158 11-s	Bushing, Throttle Linkage
8	M-545016-s	Screw, Flg Thd Frm M5x0.8x16
9	M-547050-s	Nut, Lock M5x.8
10	24 089 03-s	Spring, Choke Return
11	24 126 172-s	Bracket, Control
12	M-645016-s	Screw, Flg Thd Frm M6x1.0x16
13	12 237 01-s	Clamp, Cable
14	24 086 43-s	Screw, Lbd Thd Frm M5x0.8x16
15	24 079 22-s	Linkage, Choke
16	24 112 27-s	Spacer, Control Assembly
17	24 090 47-s	Lever, Throttle Actuator
18	24 090 13-s	Lever, Throttle Control
19	24 468 01-s	Washer, Flat 5.5 Mm
20	M-545020-s	Screw, Flg Thd Frm M5x.8x20
21	41 468 03-s	Washer, Spring 1/4"
22	24 090 05-s	Lever, Choke
23	25 086 135-s	Screw, Hex Hd Cap (W/loctite)
24	24 468 20-s	Washer, Flat 5 Mm
25	24 112 24-s	Spacer
26	24 089 56-s	Spring, Governor
27	24 089 55-s	Spring, Governor

AIR INTAKE/FILTRATION 10-32-1

1	24 164 91-s	Manifold, Intake (Incl. 2,3)
2	24 041 52-s	Gasket, Carburetor
3	24 153 27-s	O-ring, Intake Port
4	32 094 04-s	Kit, Air Cleaner Base (Incl. 5,6)
5	24 041 14-s	Gasket, Air Cleaner Base
6	32 344 02-s	Latch, Air Cleaner Element
7	32 083 03-s	Element, Air Filter
8	M-651040-s	Screw, Flg M6x1.0x40

EXHAUST 11-32-2

1	24 041 49-s	Gasket, Exhaust
---	-------------	-----------------

DECALS 12-32-21

1	25 113 39-s	Decal, Clear Laminate
2	32 113 23-s	Decal, Wing Set Sears
3	32 113 27-s	Decal, 26hp

NOT ILLUSTRATED

SHORT BLOCK 42-32-2

--	32 522 02	SV710-740 Shortblock
--	32 755 01-s	Gasket Set

NOTE: All component dimensions given in U.S. inches
1 inch = 25.4 mm

SERVICE NOTES

SERVICE NOTES

LIMITED WARRANTY ON CRAFTSMAN RIDING EQUIPMENT

For two (2) years from the date of purchase, if this Craftsman Riding Equipment is maintained, lubricated and tuned up according to the instructions in the owner's manual, Sears will repair or replace free of charge any parts that are found to be defective in material or workmanship according to the guidelines of coverage listed below. Sears will also provide free labor for these applicable warranted parts for the two full years. During the first 30 days of purchase, there will be no charges to service the product at your home for issues covered by this warranty. (See exclusions below). For your convenience, IN HOME warranty service will still be available after the first 30 days of purchase, but a trip charge will apply. This charge will be waived if the Craftsman product is dropped off at an authorized Sears location. For the nearest authorized Sears location, please call 1-800-4-MY-HOME®. This warranty applies only while this product is within the United States.

This Warranty does not cover:

- Expendable items which become worn during normal use, including but not limited to blades, spark plugs, air cleaners, belts, and oil filters.
- Standard Maintenance Servicing, oil changes, or tune-ups
- Tire replacement or repair caused by punctures from outside objects, such as nails, thorns, stumps, or glass.
- Repairs necessary because of operator abuse, including but not limited to, damage caused by towing objects beyond the capability of the riding equipment, impacting objects that bend the frame or crankshaft, or over-speeding the engine.
- Repairs necessary because of operator negligence, including but not limited to, electrical and mechanical damage caused by improper storage, failure to use the proper grade and amount of engine oil, failure to keep the deck clear of flammable debris, or failure to maintain the equipment according to the instructions contained in the owner's manual.
- Engine (fuel system) cleaning or repairs caused by fuel determined to be contaminated or oxidized (stale). In general, fuel should be used within 30 days of its purchase date.
- Normal deterioration and wear of the exterior finishes, or product label replacement.
- Riding equipment used for commercial or rental purposes.

LIMITED WARRANTY ON BATTERY

For ninety (90) days from date of purchase, if any battery included with this riding equipment proves defective in material or workmanship and our testing determines the battery will not hold a charge, Sears will replace the battery at no charge. During the first 30 days of purchase, there will be no charges to replace the battery at your HOME. After the first 30 days, for your convenience, IN-HOME warranty service will still be available but a trip charge will apply. This charge will be waived if the Craftsman product is dropped off at an authorized Sears location. For the nearest authorized Sears location, please call 1-800-4-MY-HOME®.

This battery warranty applies only while this product is within the United States.

This warranty gives you specific legal rights, and you may also have other rights, which vary, from state to state.

Sears, Roebuck and Co., Hoffman Estates, IL 60179

