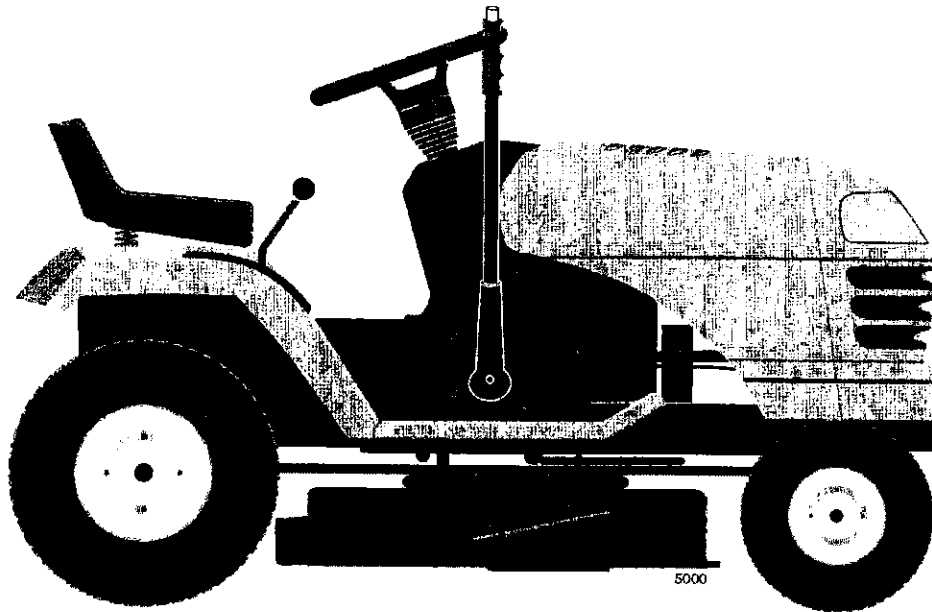
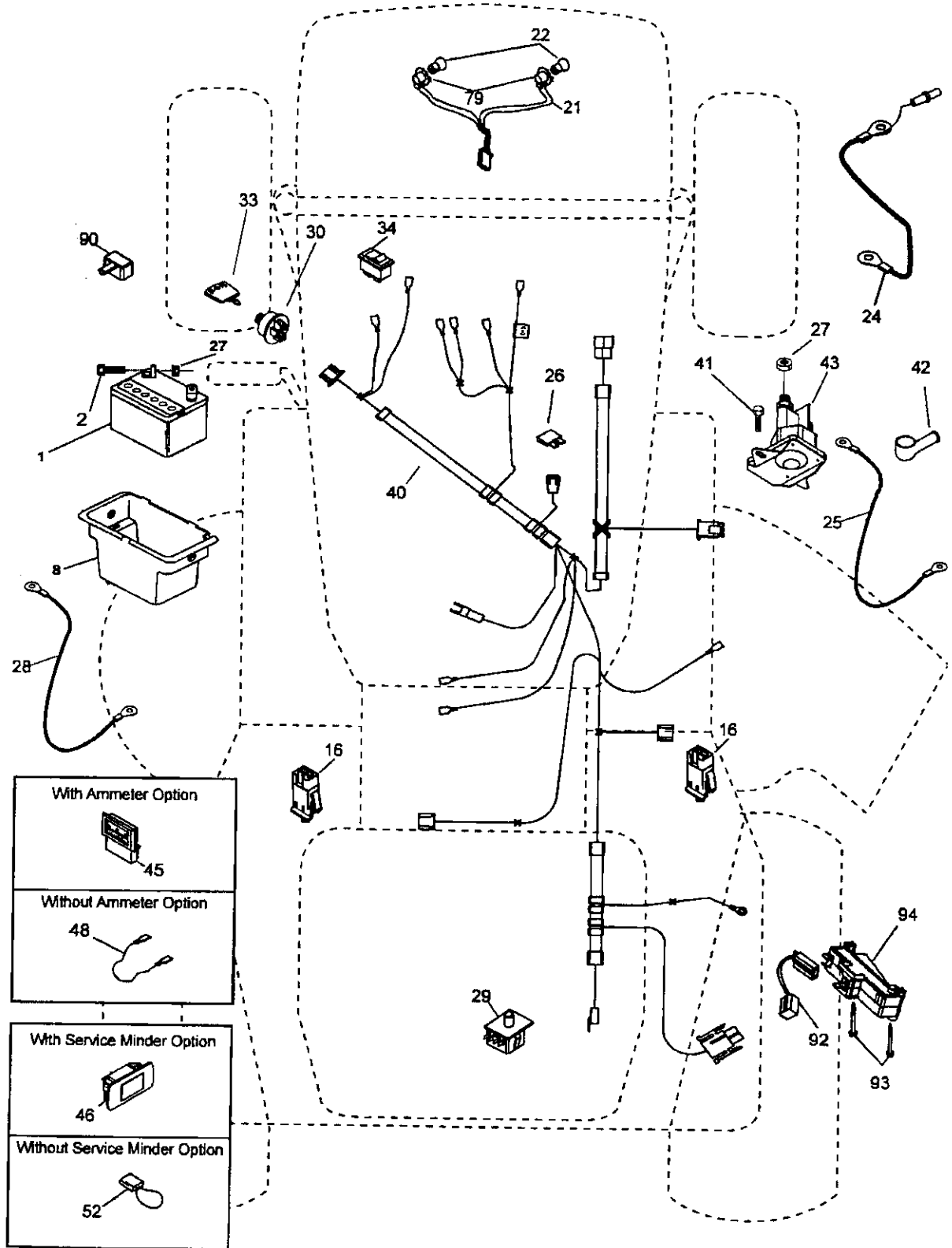
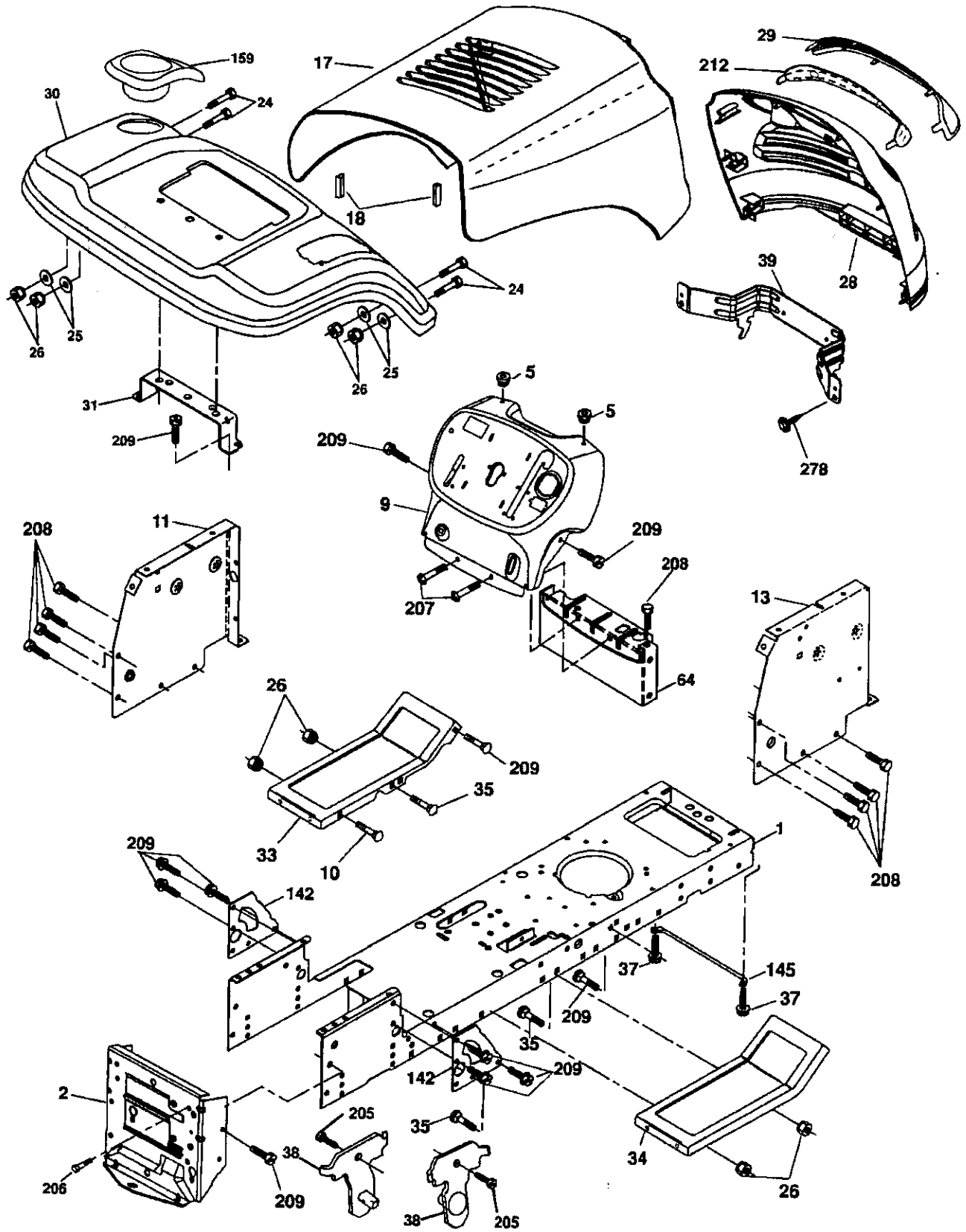


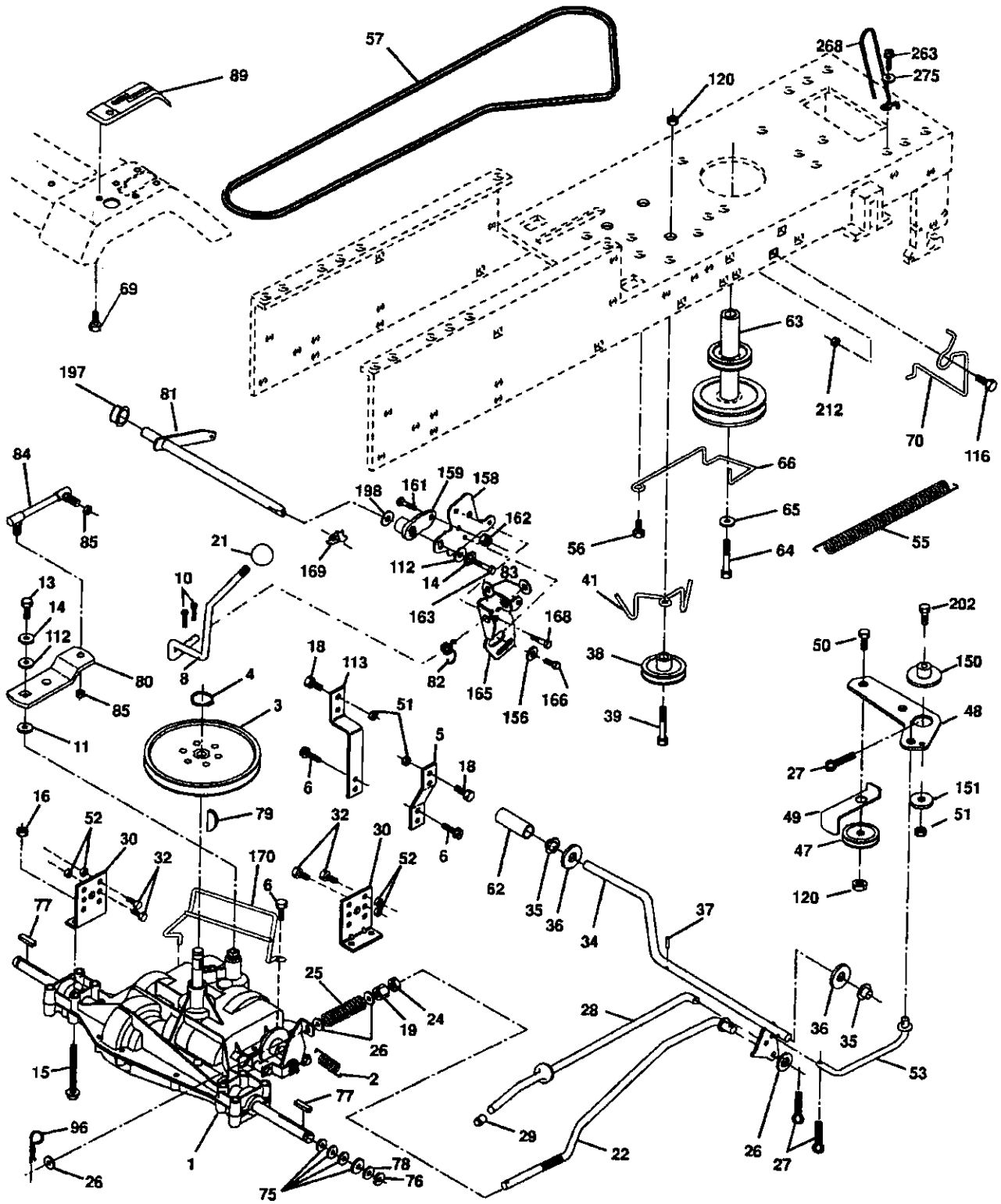
CRAFTSMAN®

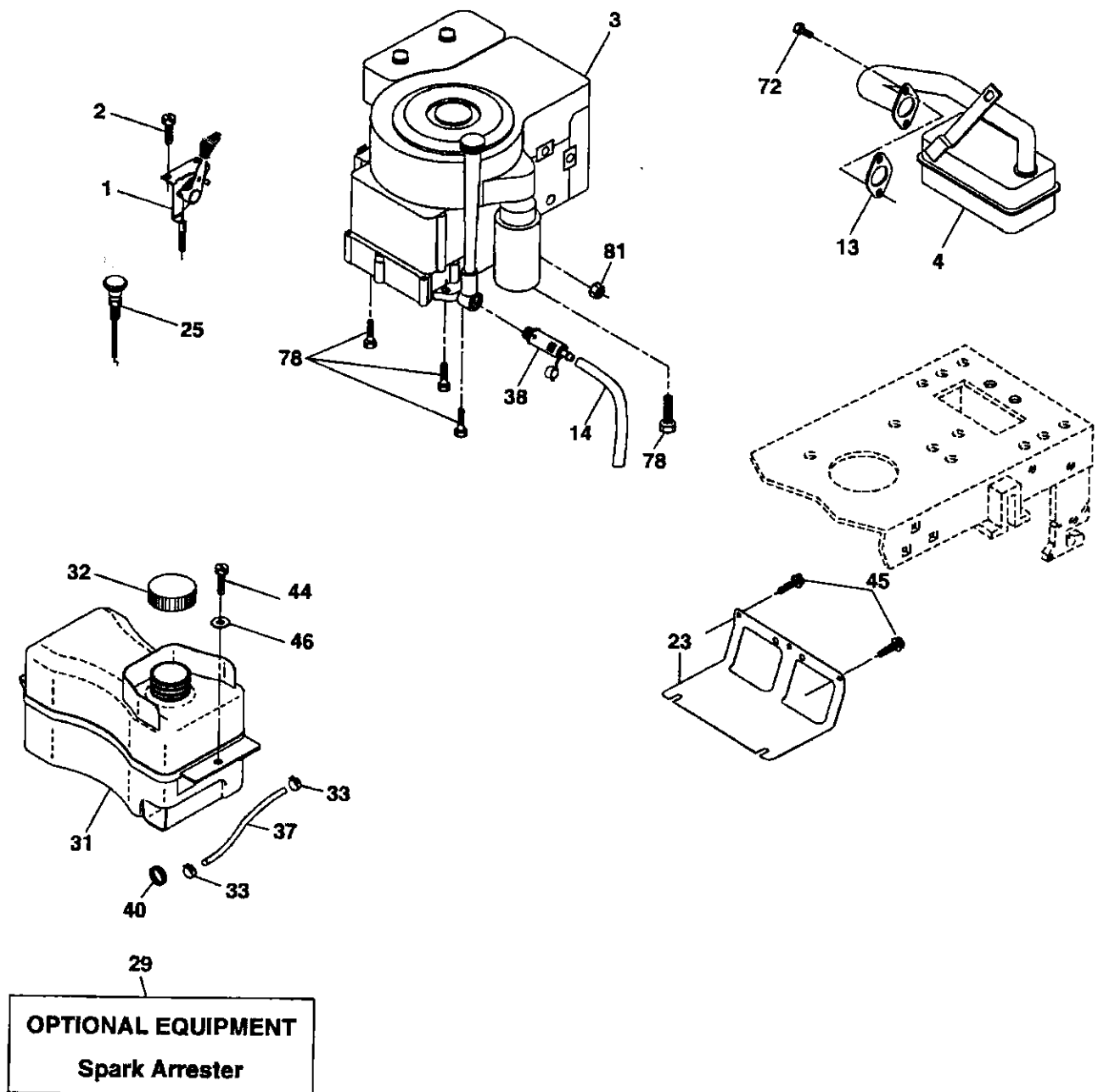


25328



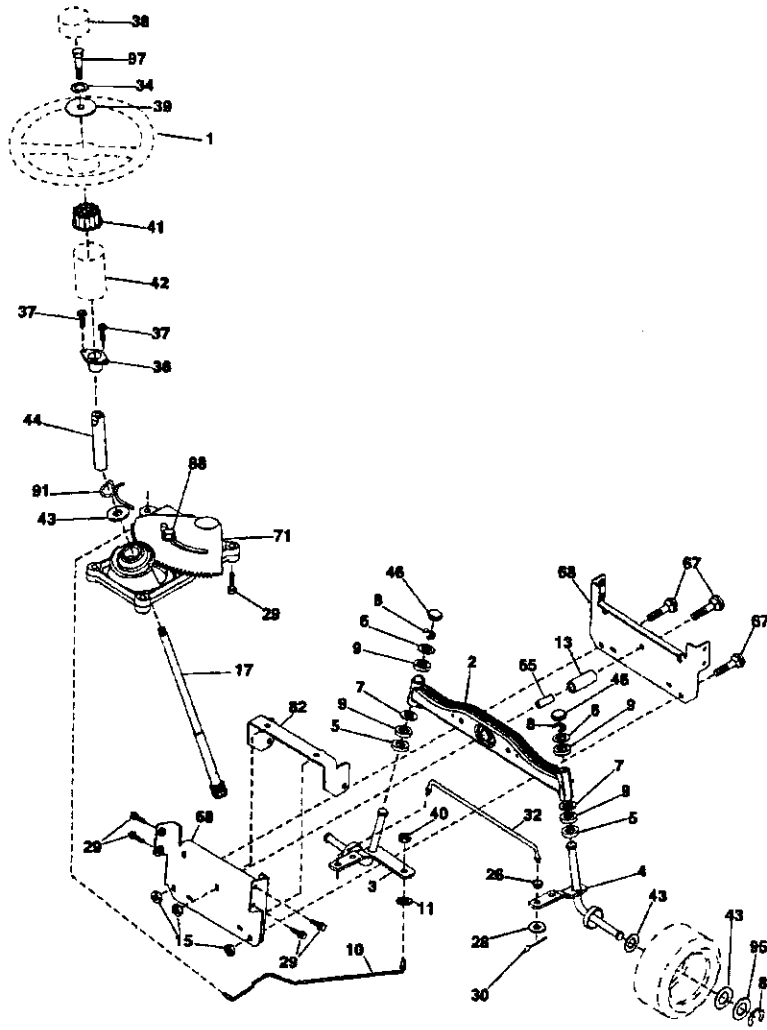


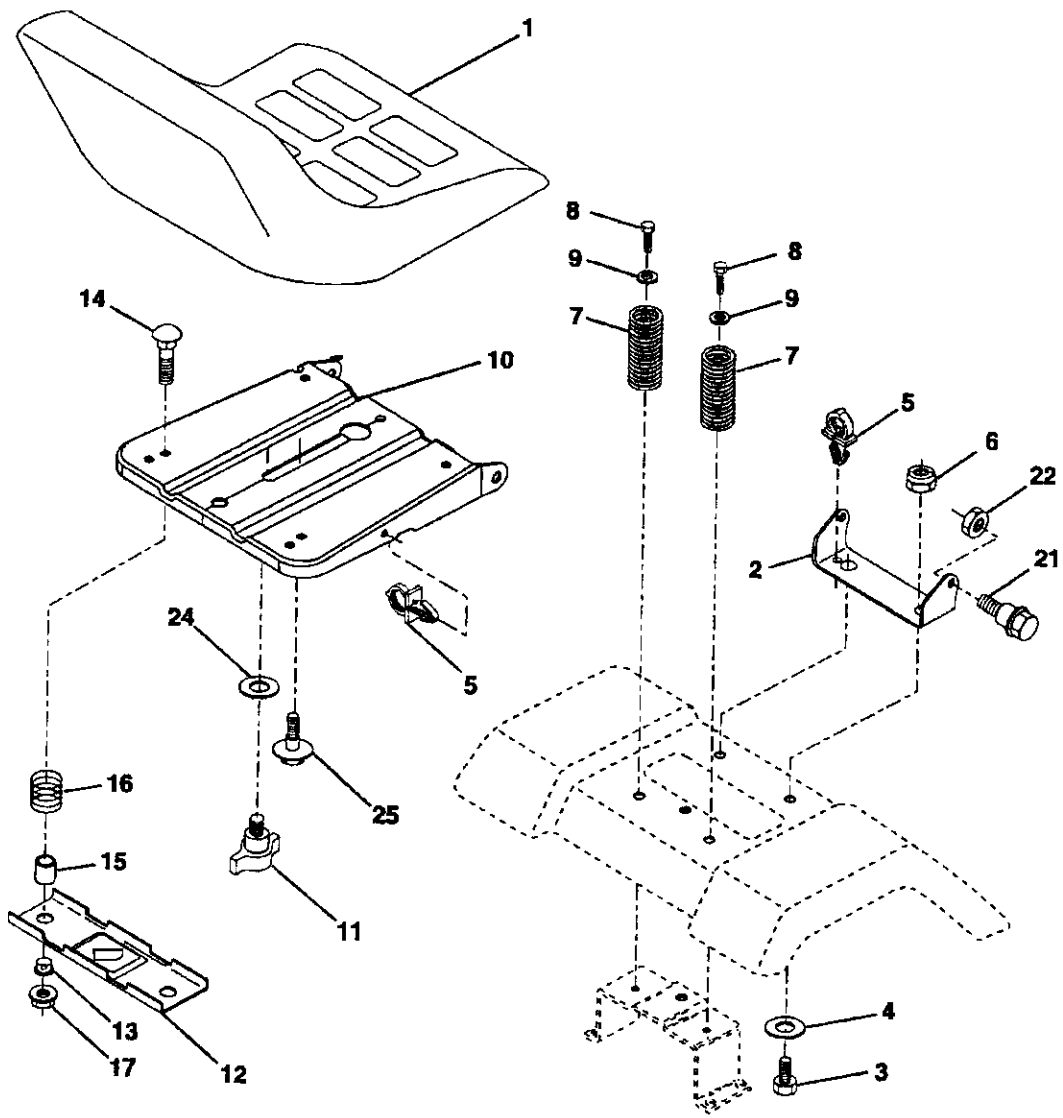


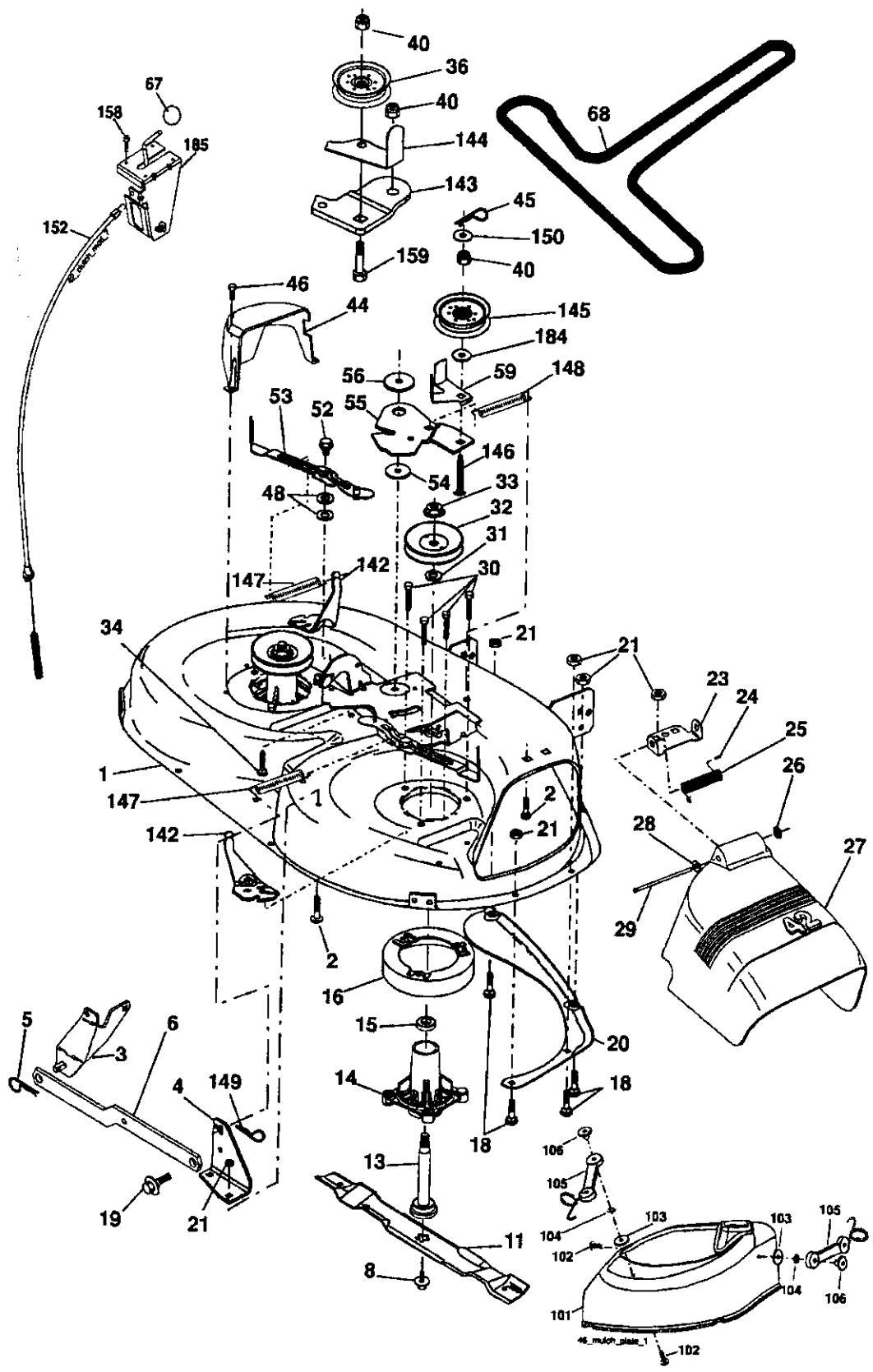


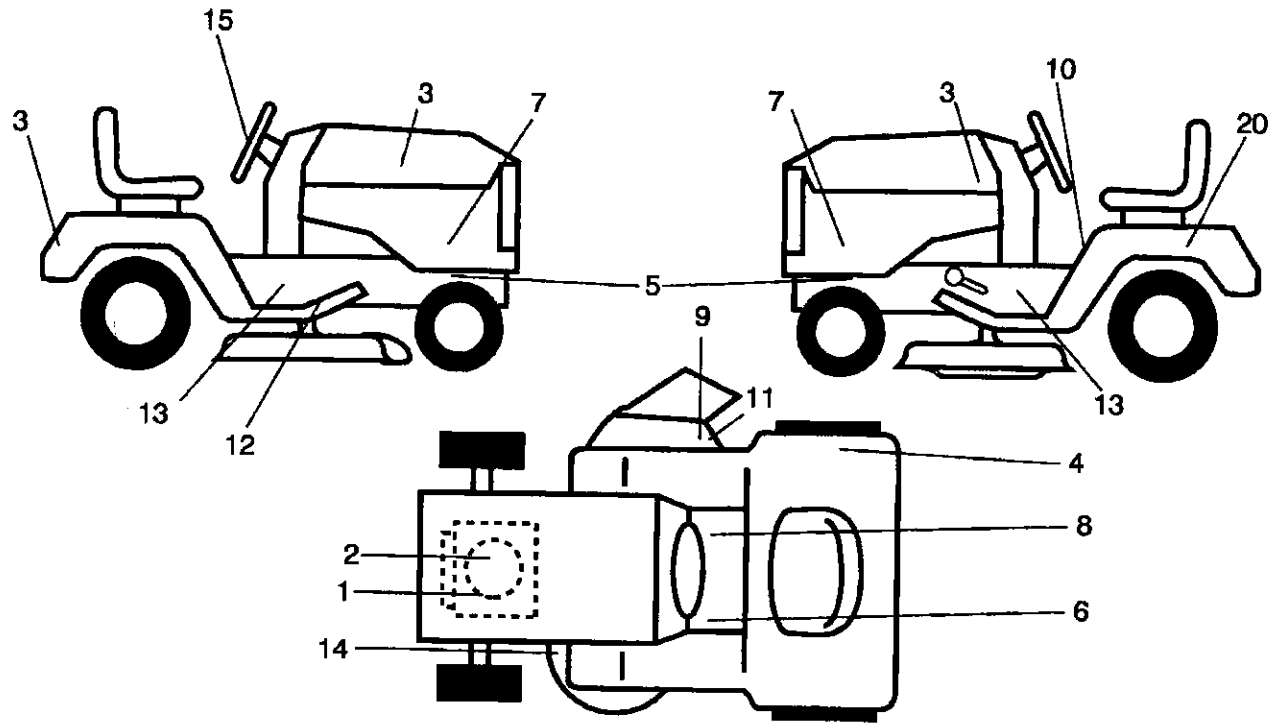
Engine Power Rating Information

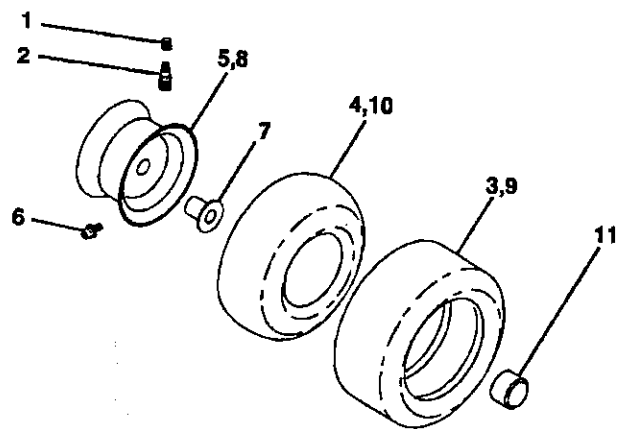
The gross power rating for individual gas engine models is labeled in accordance with SAE (Society of Automotive Engineers) code J11940 (Small Engine Power & Torque Rating Procedure), and rating performance has been obtained and corrected in accordance with SAE J1995 (Revision 2002-5). Actual gross engine power will be lower and is affected by, among other things, ambient operating conditions and engine-to-engine variability. Given both the wide array of products on which engines are placed and the variety of environmental issues applicable to operating the equipment, the gas engine will not develop the rated gross power when used in a given piece of power equipment (actual "on-site" or net horsepower). This difference is due to a variety of factors including, but not limited to, accessories (air cleaner, exhaust, charging, cooling, carburetor, fuel pump, etc.), application limitations, ambient operating conditions (temperature, humidity, altitude), and engine-to-engine variability. Due to manufacturing and capacity limitations, Briggs & Stratton may substitute an engine of higher rated power for this Series engine.

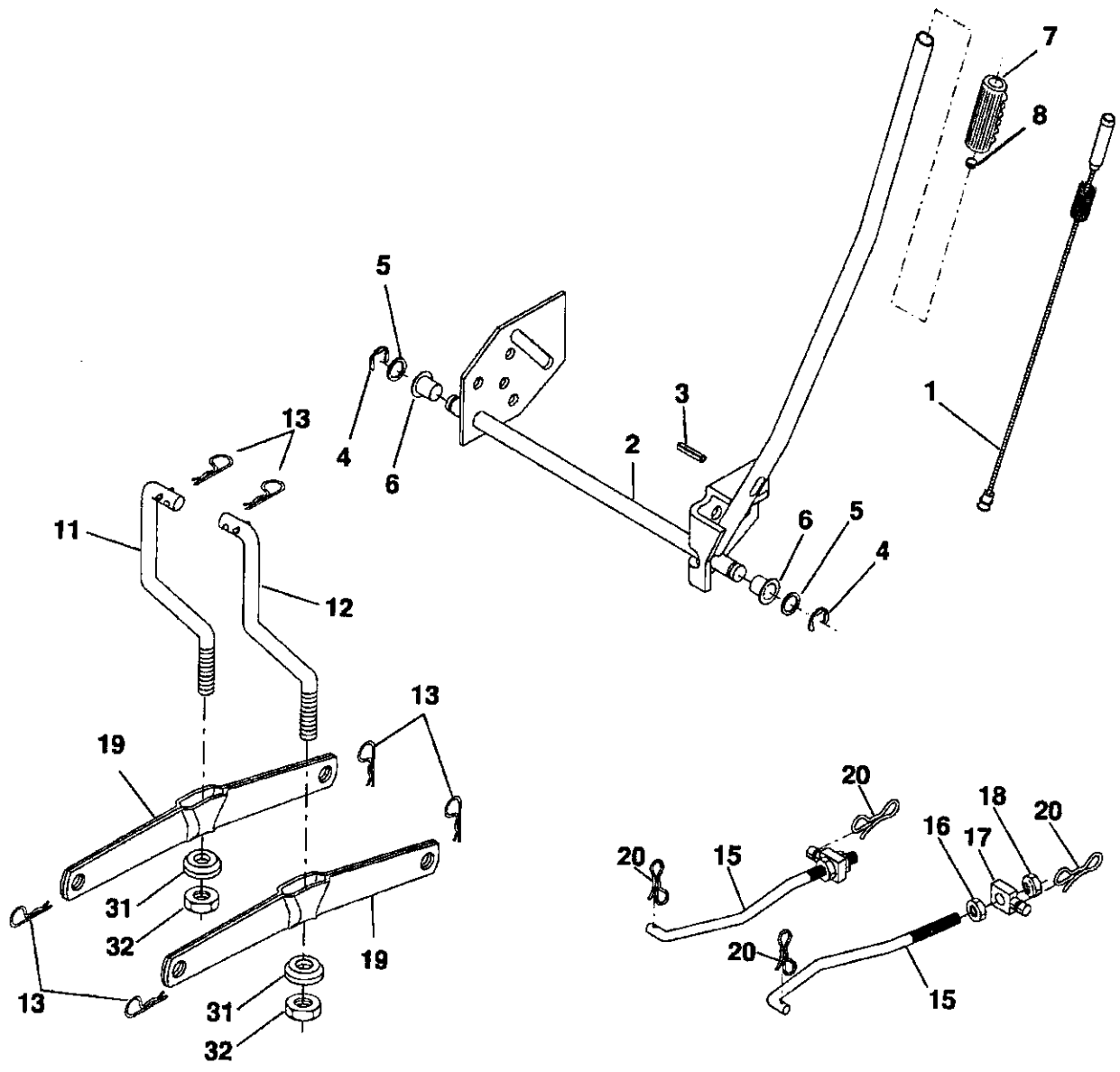


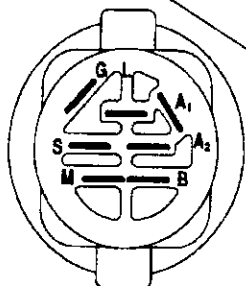
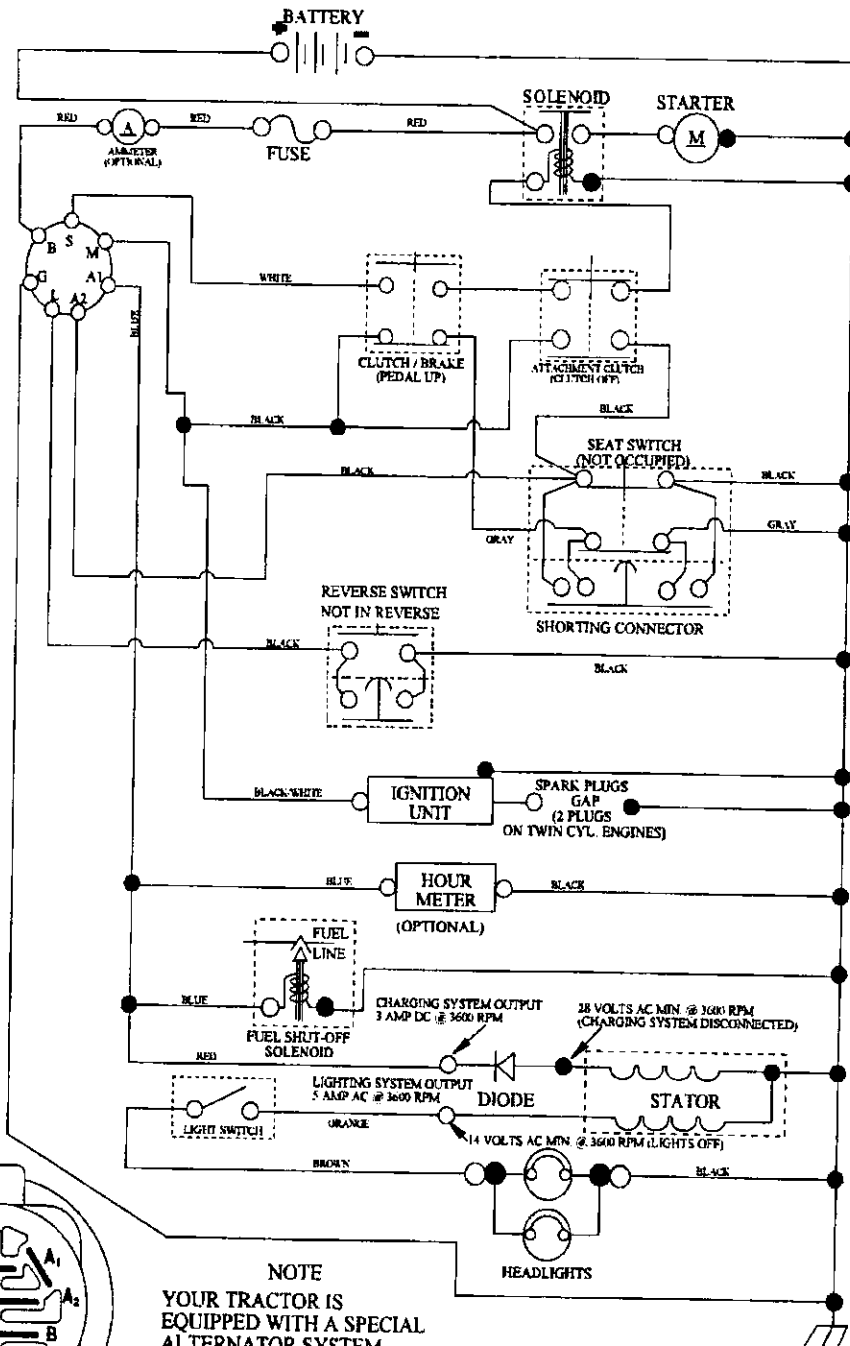








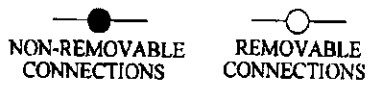




IGNITION SWITCH

POSITION	CIRCUIT "MAKE"
OFF	M+G+A1
RUN/OVERRIDE	B+A1
RUN	B+A1 L+A2
START	B+S+A1

NOTE
 YOUR TRACTOR IS EQUIPPED WITH A SPECIAL ALTERNATOR SYSTEM. THE LIGHTS ARE NOT CONNECTED TO THE BATTERY, BUT HAVE THEIR OWN ELECTRICAL SOURCE. BECAUSE OF THIS, THE BRIGHTNESS OF THE LIGHTS WILL CHANGE WITH ENGINE SPEED. AT IDLE THE LIGHTS WILL DIM. AS THE ENGINE IS SPEEDED UP, THE LIGHTS WILL BECOME THEIR BRIGHTEST.



WIRING INSULATED CLIPS
NOTE: IF WIRING INSULATED CLIPS WERE REMOVED FOR SERVICING OF UNIT, THEY SHOULD BE RE-INSTALLED TO PROPERLY SECURE YOUR WIRING.

Key Part #	Description
(NI) 162598	DECAL, DRAWBAR LOAD LIMIT
(NI) 138311	DECAL, LIFT HANDLE
(NI) 192870	MANDREL ASSEMBLY (INCLUDES HOUSING, SHAFT, SHAFT ASSEMBLY, AND BEARING ONLY - PU
(NI) 420042	MANUAL, OPERATOR'S BALTIC
(NI) 420041	MANUAL, OPERATOR'S E-BLOC
(NI) 420039	MANUAL, OPERATOR'S EURO
(NI) 420040	MANUAL, OPERATOR'S SCAND
(NI) 420043	MANUAL, PARTS
(NI) 179768X428	PAD, FOOTREST LH
(NI) 179769X428	PAD, FOOTREST RH
(NI) 5479J	PLUG, BUTTON
(NI) 416611	REPLACEMENT MOWER, COMPLETE
(NI) 144334	SEALANT, TIRE 10 OZ.
1 163465	BATTERY
1 174619	CHASSIS STAMPING
1 170545	CONTROL, THROTTLE/CHOKE
1 196841	DECAL, WARNING ENGINE SYMS
1 159460	LIFT LEVER INNER WIRE ASSEMBLY
1 165892	MOWER DECK ASSEMBLY, 42"
1 188939	SEAT
1 414851X428	STEERING WHEEL
1 N/P	TRANSAXLE DANA D6800-2 (SEE TRANSAXLE BREAKDOWN)
1 59192	VALVE CAP, TIRE
2 418168	AXLE ASSEMBLY
2 STD533107	BOLT
2 74760412	BOLT HEX HD 1/4-20 UNC X 3/4
2 140551	BRACKET, PIVOT, SEAT
2 420132	DECAL, HP ENGINE
2 176554	DRAWBAR
2 17720408	SCREW, HEX HEAD, THREAD CUTTING 1/4-20 X 1/2
2 159471	SHAFT ASSEMBLY, LIFT
2 146682	SPRING BRAKE RETURN
2 65139	STEM, VALVE
3 71110616	BOLT
3 138017	BRACKET ASSEMBLY, SWAY BAR, FRONT
3 411697	DECAL, HOOD
3 N/P	ENGINE, BRIGGS MODEL NO. 31G777-0294-B1 (SEE ENGINE BREAKDOWN)
3 105767X	PIN, GROOVE
3 123666X	PULLEY TRANSAXLE
3 169840	SPINDLE ASSEMBLY, L.H.
3 106222X	TIRE, FRONT
4 165460	BRACKET SWAY BAR 38/42" DECK
4 180432	DECAL, FENDER 100 DB/CE
4 12000002	E-RING
4 137352	MUFFLER
4 12000028	RING RETAINER
4 169839	SPINDLE ASSEMBLY, R.H.
4 59904	TUBE, FRONT TIRE
4 19131610	WASHER 13/32 X 1 X 10 GA.
5 6266H	BEARING, RACE, THRUST, HARDENED
5 155272	BUMPER HOOD/DASH
5 145006	CLIP, PUSH-IN HINGED
5 159736	DECAL, CHASSIS HOT MUFFLER
5 STD624008	RETAINER SPRING
5 106732X624	RIM, FRONT
5 121520X	STRAP TORQUE 30 DEGREES
5 19211621	WASHER 21/32 X 1 X 21 GA.
6 178024	BAR SWAY DECK
6 120183X	BEARING, NYLON

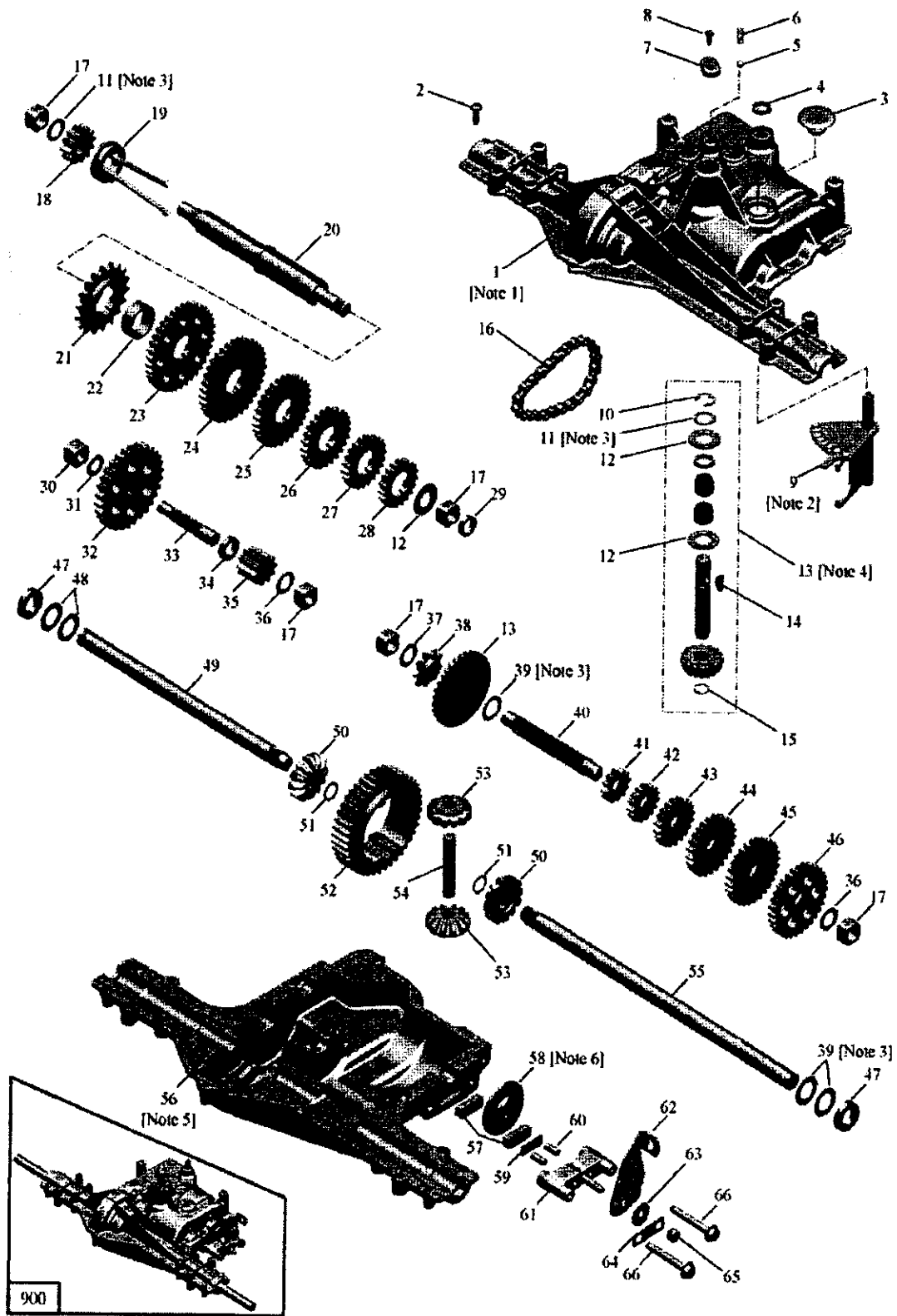
Key Part #	Description
6 159737	DECAL, BRAKE/CLUTCH SYM
6 278H	FITTING, GREASE (FRONT WHEEL ONLY)
6 STD541437	NUT
6 17060512	SCREW 5/16-18 X 3/4
6 121748X	WASHER 25/32 X 1-5/8 X 16 GA.
7 9040H	BEARING, FLANGE (FRONT WHEEL ONLY)
7 404492	DECAL, HOOD SIDE
7 125631X	GRIP, HANDLE, FLUTED
7 124181X	SPRING, SEAT
7 19272016	WASHER 27/32 X 1-1/4 X 16 GA.
8 193003	BOLT, HEX 3/8-24 X 1.25 GR. 8
8 176689	BOX BATTERY FENDER
8 122365X	BUTTON, PLUNGER, RED
8 140837	DECAL, SADDLE BRAKE PARKING
8 106108X624	RIM, REAR
8 12000029	RING, CLIP
8 192706	ROD SHIFT FRNDR ADJUST
8 17000616	SCREW 3/8-16 X 1-1/2
9 3366R	BEARING COL. STRG.
9 193510X013	DASH
9 182166	DECAL, CUTFINGER CE 02
9 106268X	TIRE, REAR 18 X 9.5-8 TURF SAVER
9 19131614	WASHER 13/32 X 1 X 14 GA.
9A 420531	TIRE, REAR 18 X 9.5-8 TURF SAVER LT
10 STD533710	BOLT, CARRIAGE 3/8-16 X 1
10 400389	DECAL, FRNDR DANGER
10 175121	DRAGLINK
10 195530	PAN, SEAT
10 STD561210	PIN COTTER 1/8 X 1 CAD
10 7152J	TUBE, REAR TIRE
11 134149	BLADE, MULCHING STD.
11 104757X428	CAP, AXLE
11 196357	DECAL, DEFLECT WRN CUTFINGER SYM
11 166369	KNOB, SEAT
11 139865	LINK, LIFT, LH
11 174996	PANEL, DASH, LH
11 105701X	WASHER PLATE SHIFT
11 STD551137	WASHER, LOCK
12 174648	BRACKET, SWITCH MOUNTING
12 197490	DECAL, V-BELT DRIVE SCHEMATIC
12 139866	LINK, LIFT, RH
13 74550412	BOLT 1/4-28 UNF GR. 8 W/PATCH
13 121248X	BUSHING, SNAP
13 411644	DECAL, CHASSIS
13 165291	GASKET
13 172105X010	PANEL, DASH, RH
13 STD624008	RETAINER SPRING
13 192872	SHAFT ASSEMBLY, MANDREL, VENTED
13 136518	SPACER BRG AXLE FRONT
14 72050412	BOLT, CARRIAGE 1/4-20 X 1-1/2
14 160396	DECAL, V-BELT SCHEMATIC
14 187281	HOUSING, MANDREL, VENTED
14 148456	TUBE DRAIN OIL EASY
14 STD551125	WASHER LOCK HVY HELICAL
15 110485X	BEARING, BALL, MANDREL
15 74490544	BOLT HEX FLGHD 5/16-18 GR. 5
15 420121	DECAL, WHEEL STEERING
15 173288	LINK, FRONT
15 145212	NUT, HEXFLANGE LOCK

Key Part #	Description
15 134300	SPACER, SPLIT .28 X .88
16 STD541431	NUT LOCK HEX W/INS. 5/16-18 UNC
16 73350800	NUT, HEX, JAM 1/2-13 UNC
16 121250X	SPRING
16 174493	STRIPPER, MOWER DECK
16 176138	SWITCH, INTERLOCK
17 187559X613	HOOD ASSEMBLY
17 123976X	LOCKNUT, FLANGE 1/4 GR. 5
17 190753	SHAFT, STEERING
17 175689	TRUNNION
18 STD523710	BOLT FIN HEX 3/8-16 X 1 GR. 5
18 72140505	BOLT, CARRIAGE 5/16-18 X 5/8
18 184921	BUMPER HOOD LARGE 1.75
18 73800800	LOCKNUT W/WASHER INSERT 1/2-13 UNC
19 139868	ARM, SUSPENSION, REAR
19 132827	BOLT, SHOULDER
19 STD541437	NUT LOCK HEX W/WSH 3/8-16 UNC
20 159770	BAFFLE, VORTEX
20 145005	DECAL, BATTERY DNGR/PSN ENG
20 194209	PIN COTTER 7/16 BOW TIE LOCK
21 171852	BOLT, SHOULDER 5/16-18 UNC
21 175688	HARNES ASSEMBLY LIGHT W/4152J
21 106933X	KNOB
21 STD541431	NUT CROWNLOCK 5/16-18 UNC
22 4152J	BULB LIGHT #1156
22 STD541431	NUT
22 130804	ROD, BRAKE
23 177563	BRACKET, DEFLECTOR
23 169837	SHIELD BRN/DBR GUARD
24 STD523710	BOLT FIN HEX 3/8-16 UNC X 1 GR. 5
24 4799J	CABLE BATTERY 6 GA 11" RED
24 105304X	CAP, SLEEVE
24 73350600	NUT, HEX JAM 3/8-16 UNC
24 19171912	WASHER 17/32 X 1-3/16 X 12 GA.
25 127018	BOLT SHOULDER 5/16-18 X .62
25 146147	CABLE BATTERY 6 GA. W/16 WIRE RED
25 187770X428	CONTROL CHOKE
25 106888X	SPRING, BRAKE ROD
25 123713X	SPRING, TORSION, DEFLECTOR
25 19131312	WASHER 13/32 X 13/16 X 12 GA.
26 126847X	BUSHING, LINK, DRAG
26 175158	FUSE 20 AMP
26 STD541437	NUT
26 110452X	NUT, PUSH
26 STD551037	WASHER 13/32 X 13/16 X 16 GA.
27 73510400	NUT, KEPS HEX 1/4-20 UNC
27 STD561210	PIN COTTER 1/8 X 3/4 CAD.
27 130968X428	SHIELD, DEFLECTOR
28 4207J	CABLE GROUND 6 GA. 12" BLACK
28 187598	GRILLE LENS ASSEMBLY
28 175765	ROD, PARKING BRAKE
28 19111016	WASHER 11/32 X 5/8 X 16 GA.
28 19131416	WASHER 13/32 X 7/8 X 16 GA.
29 137180	ARRESTER, SPARK
29 71673	CAP, PARKING BRAKE
29 187567X599	LENS, LASER
29 131491	ROD, HINGE
29 17000612	SCREW 3/8-16 X 3/4
29 192749	SWITCH SEAT

Key	Part #	Description
30	174973	BRACKET, TRANSAXLE
30	192528X613	FEND/FTREST PNT STLT
30	STD561210	PIN
30	173984	SCREW THDROL DOD PT HEX
30	193350	SWITCH IGN
31	169865	BEARING, PVT, LIFT
31	136619	BRACKET, FENDER SUPPORT
31	407516	TANK, FUEL
31	187690	WASHER, SPACER
32	STD523107	BOLT HEX HD 5/16-18 UNC X 3/4
32	197725	CAP ASSEMBLY, FUEL
32	73540600	NUT, CROWNLOCK 3/8-24
32	153535	PULLEY, MANDREL
32	192757	ROD, TIE
33	123487X	CLAMP, HOSE
33	179716X613	FOOTREST LH
33	411934	KEY/CHAIN
33	400234	NUT, TOPLOCK, FLANGED
34	72110612	BOLT CARR. SH. 3/8-16 X 1-1/2 GR. 5
34	179717X613	FOOTREST RH
34	175578	SHAFT, FOOT PEDAL
34	110712X	SWITCH LIGHT
34	10040500	WASHER LOCK HVY HLCL SPR. 5/16
35	120183X	BEARING, NYLON
35	STD533707	BOLT RDHD SHT SQNK 3/8-16 X 3/4
36	155099	BUSHING, STEERING
36	131494	PULLEY, IDLER, FLAT
36	19211616	WASHER
37	137040	LINE, FUEL
37	1572H	PIN, ROLL
37	152927	SCREW
37	17490508	SCREW THDROL 5/16-18 X 1/2 TYT
38	175710	BRACKET ASSEMBLY PIVOT MOWER REAR
38	414852X428	INSERT, STEERING WHEEL
38	181654	PLUG, DRAIN OIL EASY
38	179114	PULLEY, COMPOSITE, FLAT
39	STD533727	BOLT RDHD 3/8-16 UNC X 2-3/4 GR. 5
39	187568	BRACKET PIVOT LASER
39	19113812	WASHER 11/32 ID X 2-3/8 OD X 12 GA.
40	124028X	BUSHING SNAP
40	197428	HARNESS IGN
40	73540600	NUT CROWNLOCK 3/8-24
40	73900600	NUT LOCK FLG. 3/8-16 UNC
41	186737	ADAPTOR, STEERING WHEEL
41	71110408	BOLT BLK. FIN HEX 1/4-20 UNC X 1/2
41	175556	KEEPER, BELT IDLER
42	145054X428	BOOT, STEERING SHAFT
42	131563	COVER TERMINAL RED
43	192507	SOLENOID
43	121749X	WASHER 25/32 X 1-1/4 X 16 GA.
44	190752	EXTENSION SHAFT STEERING
44	140088	GUARD, MANDREL, LH
44	17670412	SCREW, HEX WASHER HEAD, THD., TOLL. 1/4-20 X 3/4
45	STD624003	RETAINER
45	17000612	SCREW HEX WSH THDR 3/8-16 X 3/4
46	121232X	CAP, SPINDLE
46	1377298	SCREW, THD. ROLL 1/4-20 X 5/8
46	19091416	WASHER 9/32 X 7/8 X 16 GA.
47	127783	PULLEY, IDLER, V-GROOVE

Key Part #	Description
48 140844	ADAPTER AMMETER
48 154407	BELLCRANK, CLUTCH
48 133944	WASHER, HARDENED
49 123205X	RETAINER, BELT
50 72110612	BOLT HEX HD 3/8-16 X 1-1/2
51 STD541437	NUT CROWNLOCK 3/8-16 UNC
52 139888	BOLT, SHOULDER 5/16-18 UNC
52 STD541431	NUT, CROWNLOCK 5/16-18 UNC
52 141940	PROTECTION WIRE LOOP
53 184907	ARM ASSEMBLY, PAD, BRAKE
53 199652	LINK, CLUTCH
54 178515	WASHER, HARDENED
55 155046	ARM IDLER
55 105709X	SPRING, RETURN, CLUTCH
56 17060620	SCREW 3/8-16 X 1.04
56 165723	SPACER, RETAINER
57 401603	V-BELT
59 141043	GUARD, TUV IDLER
62 8883R	COVER, PEDAL
63 180219	PULLEY, ENGINE
64 173937	BOLT HEX 7/16-20 X 4 GR. 5-1.5
64 154798	DASH LOWER STLT
65 414736	SPACER BRACE AXLE
65 STD551143	WASHER
66 154778	KEEPER BELT ENGINE HYDRO
67 72110618	BOLT RDHD SQNK 3/8-16 X 2-1/4
67 149846	KNOB CUSTOM OVAL
68 169827	AXLE, BRACE
68 180215	V-BELT
69 142432	SCREW HEX WSH HI-LO 1/4 X 1/2 UNC
70 180218	GUIDE BELT MOWER DRIVE RH
71 175146	STEERING ASSEMBLY
72 192334	SCREW SOCKET HEAD CAP 5/16-18 X 3/4
75 121749X	WASHER 25/32 X 1-1/4 X 16 GA.
76 STD581075	E-RING
77 123583X	KEY, SQUARE
78 17060620	SCREW 3/8-16 X 1-1/4
78 121748X	WASHER 25/32 X 1-5/8 X 16 GA.
79 2228M	KEY WOODRUFF
79 175242	SOCKET ASSEMBLY BULB
80 131488	ARM SHIFT
81 73510400	NUT KEPS HEX 1/4-20 UNC
81 165594	SHAFT ASSEMBLY CROSS TAPERED
82 199978	BRACKET SUSP CHASSIS FRONT
82 165711	SPRING TORSION
83 19171216	WASHER 17/32 X 3/4 X 16 GA.
84 166229	LINK TRANSAXLE
85 150360	NUT LOCK CENTER 1/4-20
88 175118	BOLT SHOULDER 7/16-20
89 192053X428	CONSOLE, SHIFT
90 180449	COVER BATTERY TERMINAL
91 175553	CLIP STEERING
92 196615	HARNES PIGTAIL REVERSE SWITCH
93 192540	SCREW PLASTIC 10-14 X 2.0
94 191834	MODULE REVERSE ROS
95 188967	WASHER HARDENED .793 X 1.637 X .060
96 STD624003	RETAINER SPRING 1" ZINC/CAD
97 74780564	BOLT 5/16-18 UNC X 4 GR. 5
101 193107	COVER MULCHING

Key	Part #	Description
102	71081010	SCREW 10-24 X 5/8
103	19061216	WASHER #10
104	10071000	WASHER LOCK #10
105	160793	LATCH ASSEMBLY
106	2029J	NUT WELD .327/.304. #10-24
112	19091210	WASHER 9/32 X 3/4 X 10 GA.
113	127285X	STRAP TORQUE 90 DEGREES
116	72140608	BOLT RDHD SQNK 3/8-16 X 1.25
120	73900600	NUT LOCK FLG 3/8-16
142	195784	ARM SPRING BRAKE MOWER
142	175702	PLATE REINFORCEMENT STLT
143	157109	BRACKET ARM IDLER 42"
144	158634	KEEPER BELT 42" CLUTCH CABLE
145	165888	PULLEY IDLER FLAT
145	409167	ROD PIVOT/HOOD
146	171977	BOLT CARRIAGE IDLER
147	179748	SPRING EXTENSION
148	169022	SPRING RETURN IDLER
149	165898	RETAINER SPRING YELLOW ZINC
150	175456	SPACER RETAINER
150	19091210	WASHER 9/32 X 3/4 X 10 GA.
151	19133210	WASHER 13/32 X 2 X 10 GA.
152	181555	CABLE CLUTCH 42 IN
156	166002	WASHER SRRTED 5/16 ID X 1.125
158	165589	BRACKET SHIFT MOUNT
158	17720408	SCREW HEX THD CUT 1/4-20 X 1/2
159	72140614	BOLT RDHD SQN 3/8-16 UNC X 1-3/4
159	169473X428	CUPHOLDER
159	183900	HUB TAPERED FLANGE SHIFT LT
161	72140406	BOLT RDHD SQNK 1/4-20 X 3/4 GR. 5
162	73680400	NUT CROWNLOCK 1/4-20 UNC
163	74780416	BOLT HEX FIN 1/4-20 UNC X 1 GR. 5
165	165623	BRACKET PIVOT LEVER
166	17490510	SCREW 5/16-18 X 5/8
168	165492	BOLT SHOULDER 5/16-18 X .561
169	165580	PLATE FASTENING
170	187414	KEEPER BELT T/A
184	19131410	WASHER 13/32 X 7/8 X 10 GA.
185	188234	HEAD ASSEMBLY CABLE CLUTCH
197	169613	NYLINER SNAP-IN 5/8" ID
198	169593	WASHER NYL 7/8 ID X .105" HYD
202	72110614	BOLT CARR SH 3/8-16 X 1-3/4 GR. 5
205	17490608	SCREW THDROL 3/8-16 X 1/2
206	170165	BOLT SHOULDER 5/16-18 TT
207	17670508	SCREW THDROL 5/16-18 X 1/2 TYTT
208	17670608	SCREW THDROL 3/8-16 X 1/2
209	17000612	SCREW HEX WSH THDR 3/8-16 X 3/4
212	187569	INSERT LENS REFLECTIVE
212	145212	NUT HEX FLG. LOCK
263	17000612	SCREW 3/8-16 X 3/4
268	182402	GUARD MUFFLER
275	19131614	WASHER 13/32 X 1 X 14 GA.
278	416358	SCREW 10 X .750 BOS THREAD



Key Part #	Description
1 407112	ASSEMBLY KIT, HOUSING, UPPER
2 2274J	SCREW, TAPPING, 1/4-20 X .734 (18) (INCLUDES 7072, 5272, 7101, 840052, 7057, 7089)
3 407113	PLUG, RUBBER
4 407114	SEAL, OIL
5 190973	BALL, DETENT
6 190974	SPRING, DETENT
7 407115	COVER, DETENT
8 190975	SCREW, TAPPING, NO. 10-24 X .482
9 407116	ASSEMBLY, SHIFTER (ANTI-SEIZE LUBRICANT TO BE APPLIED TO TOP SURFACE OF 6670 SHIFTE
10 2225J	RING, RETAINING
11 134793	ASSEMBLY, KIT SHIM, .625 SHAFT (2) (USE IN VARIOUS COMBINATIONS TO MAINTAIN PROPER C
12 120415X	WASHER, PLAIN, .632 X 1.38 X .046 (3)
13 6753	ASSEMBLY, KIT, INPUT SHAFT AND BEVEL AND PINION (INCLUDES 1106, 1746, 3876, 3956, 4689, 52
14 142674	KEY, WOODRUFF, NO. 606
15 134383	RING, RETAINING
16 105910X	CHAIN, 24 PITCHES
17 407118	BUSHING, .626 X .874 SQ X .560 (5)
18 407119	GEAR, SPUR, 12T
19 407120	ASSEMBLY, COLLAR, SHIFT
20 407121	SHAFT, INTERMEDIATE, RH BRAKE
21 120470X	SPROCKET, 18T
22 407122	SPACER, 1.131 X 1.45 X .580
23 142677	GEAR, SPUR, 37T
24 142681	GEAR, SPUR, 35T
25 124644X	GEAR, SPUR, 30T
26 108980X	GEAR, SPUR, 25T
27 120406X	GEAR, SPUR, 22T
28 134796	GEAR, SPUR, 19T
29 407123	SEAL, OIL
30 407124	BUSHING, .501 X .874 SQ X .650
31 120467X	WASHER, PLAIN, .505 X .942 X .040
32 407125	GEAR, SPUR, 30T
33 407126	SHAFT, IDLER
34 407127	SPACER, .633 X 1.00 X .260
35 1344188	GEAR, SPUR, 10T
36 2228J	WASHER, PLAIN, .632 X 1.00 X .046 (2)
37 2230J	WASHER, PLAIN, .632 X 1.00 X .036
38 105928X	SPROCKET, 9T
39 134394	ASSEMBLY, KIT, SHIM, .750 SHAFT (2) (USE IN VARIOUS COMBINATIONS TO MAINTAIN PROPER C
40 407128	SHAFT, DRIVE
41 142678	GEAR, SPUR, 12T
42 143697	GEAR, SPUR, 15T
43 124641X	GEAR, SPUR, 20T
44 106589X	GEAR, SPUR, 25T
45 120408X	GEAR, SPUR, 28T
46 105937X	GEAR, SPUR, 31T
47 407129	SEAL, OIL (2)
48 2264J	WASHER, PLAIN, .758 X 1.25 X .031 (2)
49 407130	AXLE, LH
50 190987	GEAR, MITER, 12T, SPLINED (2)
51 160948	RING, RETAINING (2)
52 134419	GEAR, SPUR, 41T
53 460949	GEAR, MITER, 12T, IDLER (2)
54 120952X	SHAFT, CROSS
55 407131	AXLE, RH
56 407132	HOUSING, LOWER (SILICONE SEALANT TO BE APPLIED BETWEEN UPPER AND LOWER HOUSING
57 407133	ASSEMBLY, KIT, FRICTION PUCK
58 407134	DISC, BRAKE (ANTI-SEIZE LUBRICANT TO BE APPLIED TO ID OF 7103 BRAKE DISC (USE BOSTIK N
59 108989X	SPACER, BRAKE PUCK

Key	Part #	Description
60	120954X	PIN, DOWEL (2)
61	160952	JAW, BRAKE
62	138244	LEVER, ACTUATING
63	108996X	WASHER, PLAIN, .321 X 1.00 X .055
64	160954	BRACKET, ANTI-ROTATION
65	73810500	NUT, LOCK, 5/16-24
66	160953	SCREW, TAPPING, 5/16-18 X 2.35 (2)
900	402719	TRANSAXLE