

REPAIR PARTS MANUAL
MODEL NO. 253631
Lawn Tractor

CRAFTSMAN®

HOW TO USE THIS MANUAL

This manual is designed to provide the customer with a means to identify the parts on his/her tractor when ordering repair parts. The illustrations may or may not represent the actual assemblies; therefore, it is not recommended to use this manual as a guide to assemble or disassemble the tractor. Some hardware and parts are drawn larger in order to more readily identify them.

Each tractor has its own model number.

The model number for your tractor can be found on the fender under the seat.

When ordering parts, always give the following information:

- Product - "Tractor"
- Model Number - "253631"
- Part Number
- Part Description

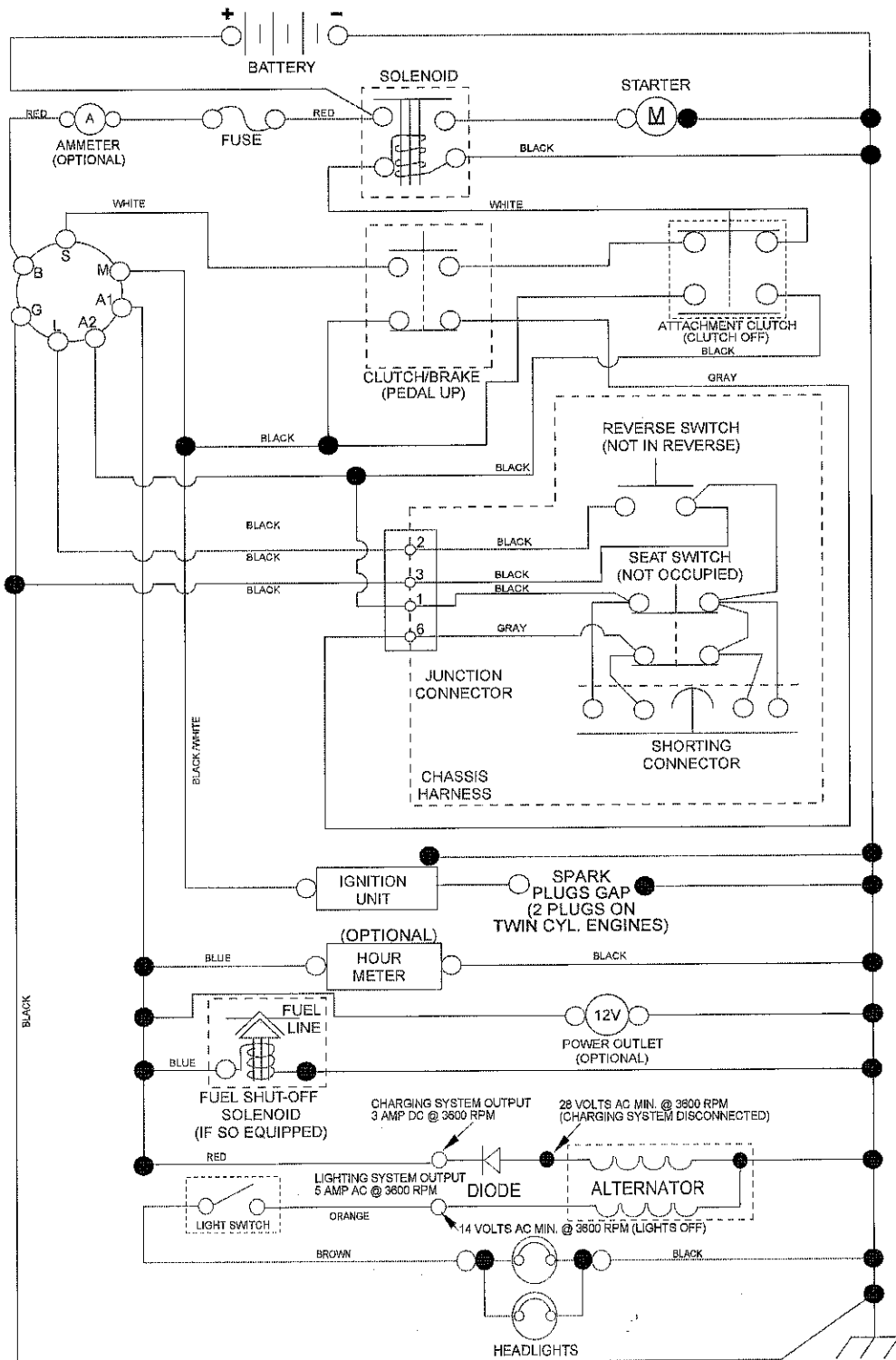
TABLE OF CONTENTS

SCHEMATIC	3
ELECTRICAL.....	4-5
CHASSIS	6-7
DRIVE.....	8-9
STEERING	10-11
SEAT	12
DECALS.....	13
ENGINE.....	14-15
MOWER LIFT	16-17
MOWER DECK	18-19
TRANSAXLE BREAKDOWN	20-21
ENGINE BREAKDOWN.....	22-27
WARRANTY.....	BACK COVER

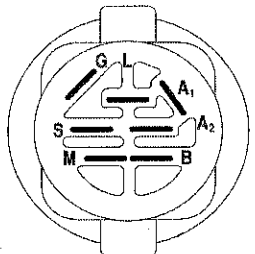
TRACTOR- -MODEL NO. 917.253631

SCHEMATIC

SCH11

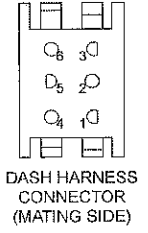
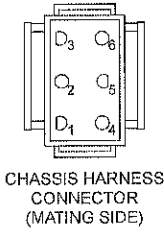


NOTE
 YOUR TRACTOR IS EQUIPPED WITH A SPECIAL ALTERNATOR SYSTEM. THE LIGHTS ARE NOT CONNECTED TO THE BATTERY, BUT HAVE THEIR OWN ELECTRICAL SOURCE. BECAUSE OF THIS, THE BRIGHTNESS OF THE LIGHTS WILL CHANGE WITH ENGINE SPEED. AT IDLE THE LIGHTS WILL DIM. AS THE ENGINE IS SPEEDED UP, THE LIGHTS WILL BECOME THEIR BRIGHTEST.

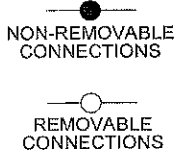


IGNITION SWITCH

POSITION	CIRCUIT	"MAKE"
OFF	M+G+A1	
RUN/OVERRIDE	B+A1	
RUN	B+A1	L+A2
START	B+S+A1	



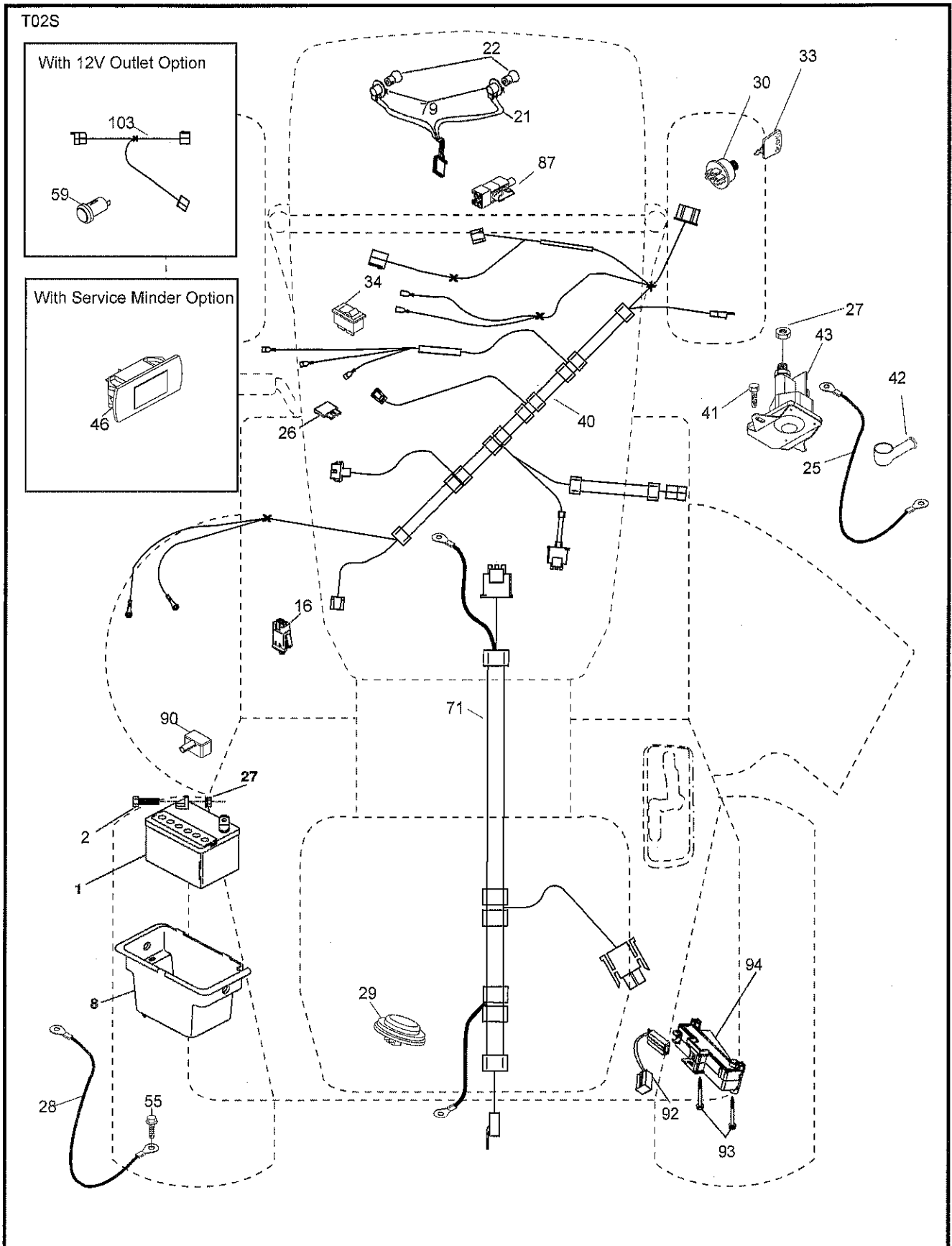
WIRING INSULATED CLIPS
 NOTE: IF WIRING INSULATED CLIPS WERE REMOVED FOR SERVICING OF UNIT, THEY SHOULD BE RE-INSTALLED TO PROPERLY SECURE YOUR WIRING.



REPAIR PARTS

TRACTOR- -MODEL NO. 917.253631

ELECTRICAL



REPAIR PARTS

TRACTOR- -MODEL NO. 917.253631

ELECTRICAL

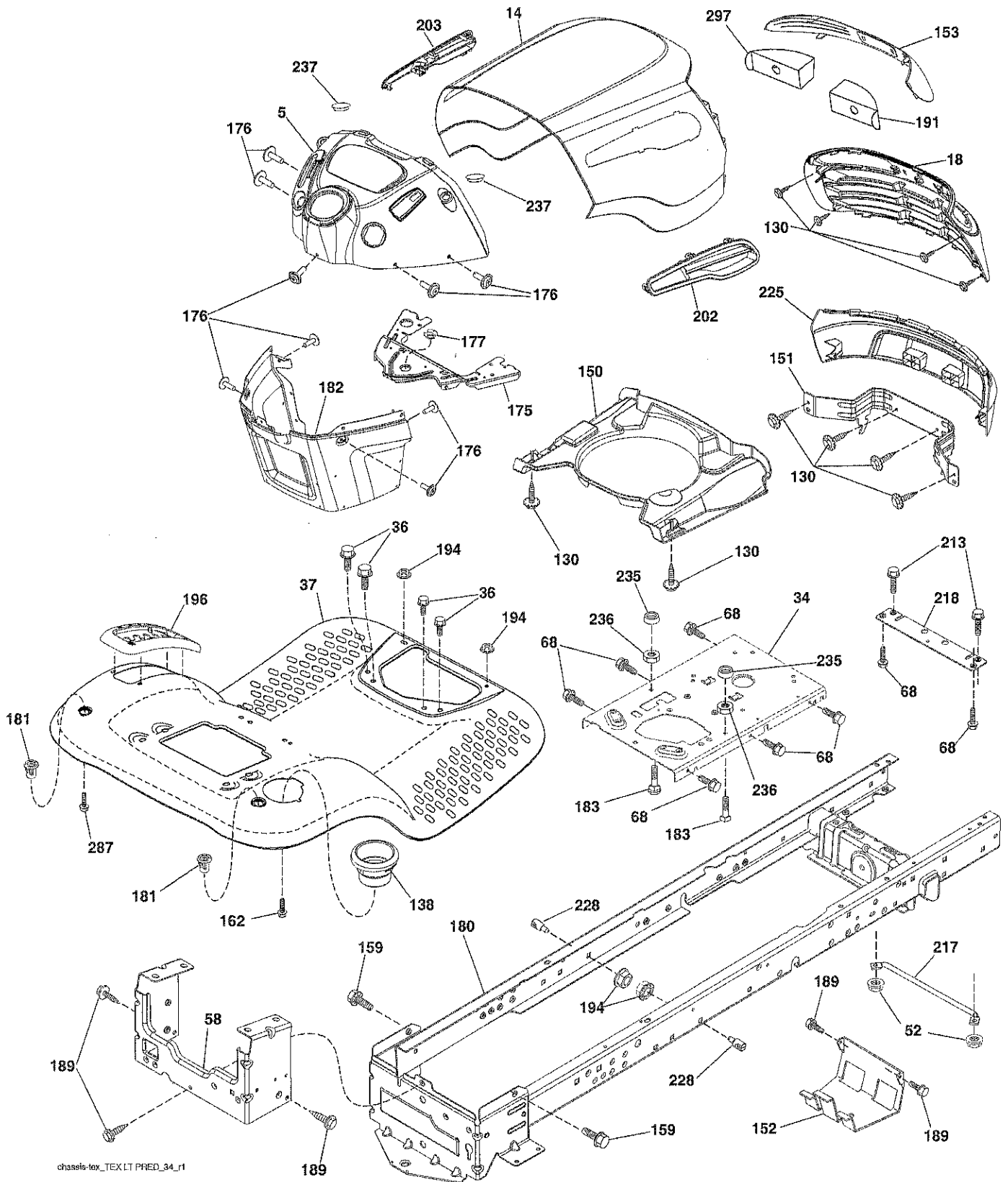
KEY NO.	PART NO.	DESCRIPTION
1	163465	Battery
2	74760412	Bolt Hex Hd 1/4-20 unc x 3/4
8	193228	Box Battery
16	176138	Switch Interlock Push-In
21	400252	Harness Socket Light w/4152J
22	4152J	Bulb Light
25	412894	Cable Starter
26	175158	Fuse
27	73510400	Nut Keps Hex 1/4-20 unc
28	198885	Cable, Ground
29	401545	Switch, Seat
30	193350	Switch, Ign
33	411934	Key/Chain
34	110712X	Switch Light / Reset
40	401098	Harness Ign. Dash
41	17720408	Screw Thd Cut 1/4-20 x 1/2
42	131563	Cover, Terminal
43	192507	Solenoid
55	17060512	Screw Thdrol 5/16-18 x 3/4 TYTT
71	400449	Harness Ign. Chassis
79	175242	Bulbholder Asm. Incan Descent
87	197802	Switch Interlock Clutch Cable
90	400725	Cover Terminal Battery
92	196615	Harness Pigtail Reverse Switch
93	192540	Screw Plastite 10 - 14 x 2 00
94	191834	Module Reverse Ros

NOTE: All component dimensions given in U.S. inches.
1 inch = 25.4 mm.

REPAIR PARTS

TRACTOR- -MODEL NO. 917.253631

CHASSIS AND ENCLOSURES



REPAIR PARTS

TRACTOR- -MODEL NO. 917.253631

CHASSIS AND ENCLOSURES

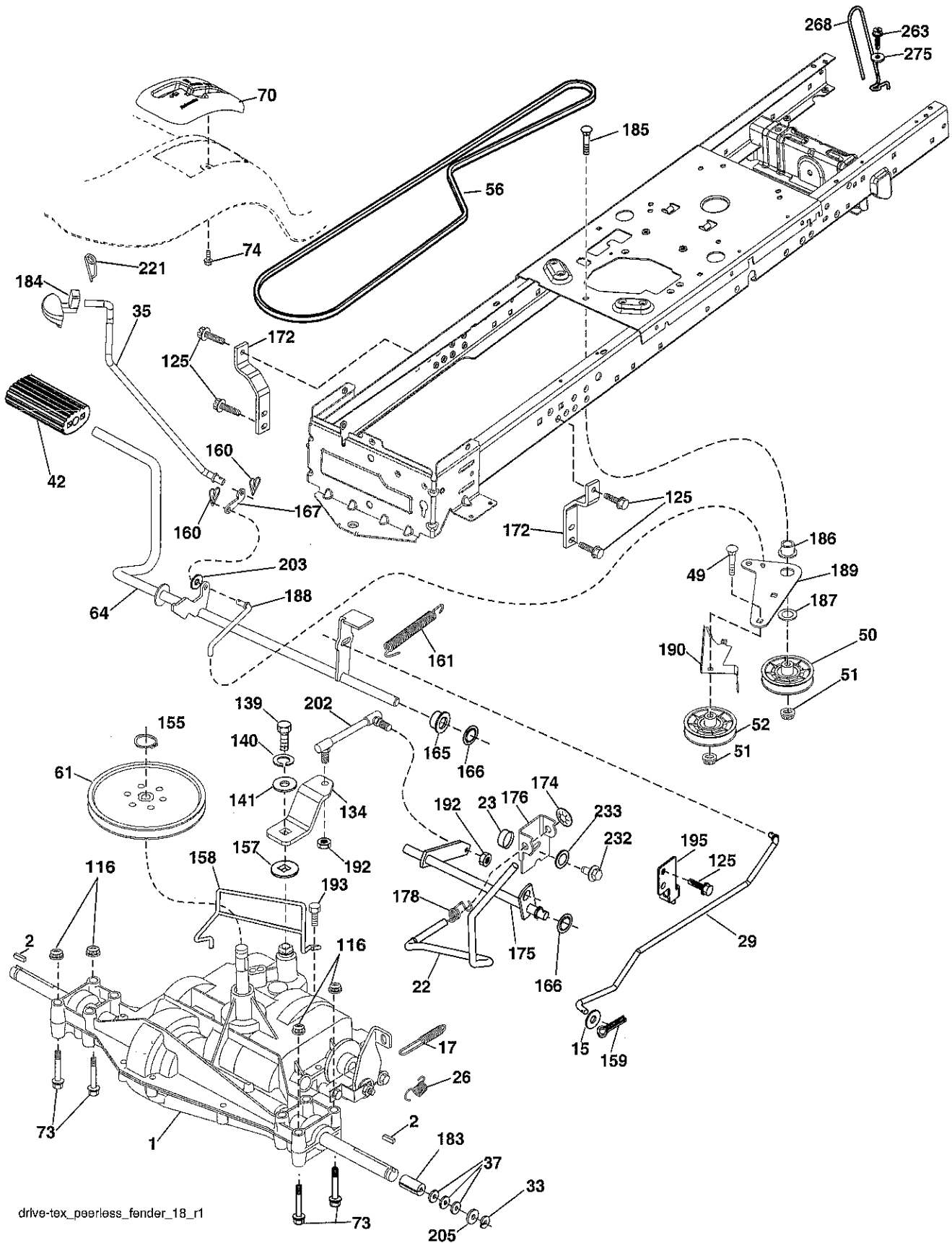
KEY NO.	PART NO.	DESCRIPTION
5	408874X428	Dash
14	198416X613	Hood
18	423156	Grille
34	196125	Plate Engine
36	17060512	Screw 5/16-18 x 3/4
37	414872X613	Fender
52	73680500	Nut Crown Lock 5/16-18
58	412280	Drawbar Upper
68	17490508	Screw Thdrol 5/16-18 x 1/2
130	416358	Screw #10 x 0.750
138	193224X428	Cupholder
150	400267	Duct Heat Hood
151	187568	Bracket Pivot
152	199535	Shield Browning/Debris
153	400550X599	Lens
159	17000612	Screw Hexwsh Thdrol 3/8-16 x 3/4
162	142432	Screw Hex Wsh Hi-Lo 1/4 x 1/2
175	199472	Crossmember
176	400776	Screw 10-24 x 5/8 Wshd Qdrx
177	195228	Bushing Steering
180	415063	Chassis
181	193102X428	Bushing Mtg. Fender Crgo.
182	407176	Dash Lower
183	74520520	Bolt Full Thd 5/16-18 x 1-1/4
189	17000512	Screw 5/16-18 x 3/4
191	416502	Insert Reflective RH
194	73900500	Nut Lock Hex Flange 5/16-18
196	414579	Console Asm. Deck Lift
202	423173	Vent Hood Side Panel RH
203	423172	Vent Hood Side Panel LH
213	74760512	Bolt Hex Hd 5/16-18 x 3/4
217	409167	Rod Pivot Hood
218	196395	X-Piece Hood Stop
225	400549X613	Bumper
228	195161	Stud Fastener
235	406129	Spacer Fender
236	73930500	Nut Center Lock 5/16-18
237	403704	Plug Mount Cargo
287	17600406	Screw 1/4-20 x 3/8
297	401827	Insert Reflective LH

NOTE: All component dimensions given in U.S. inches.
1 inch = 25.4 mm.

REPAIR PARTS

TRACTOR- -MODEL NO. 917.253631

DRIVE



drive-tex_peerless_fender_18_r1

REPAIR PARTS

TRACTOR- -MODEL NO. 917.253631

DRIVE

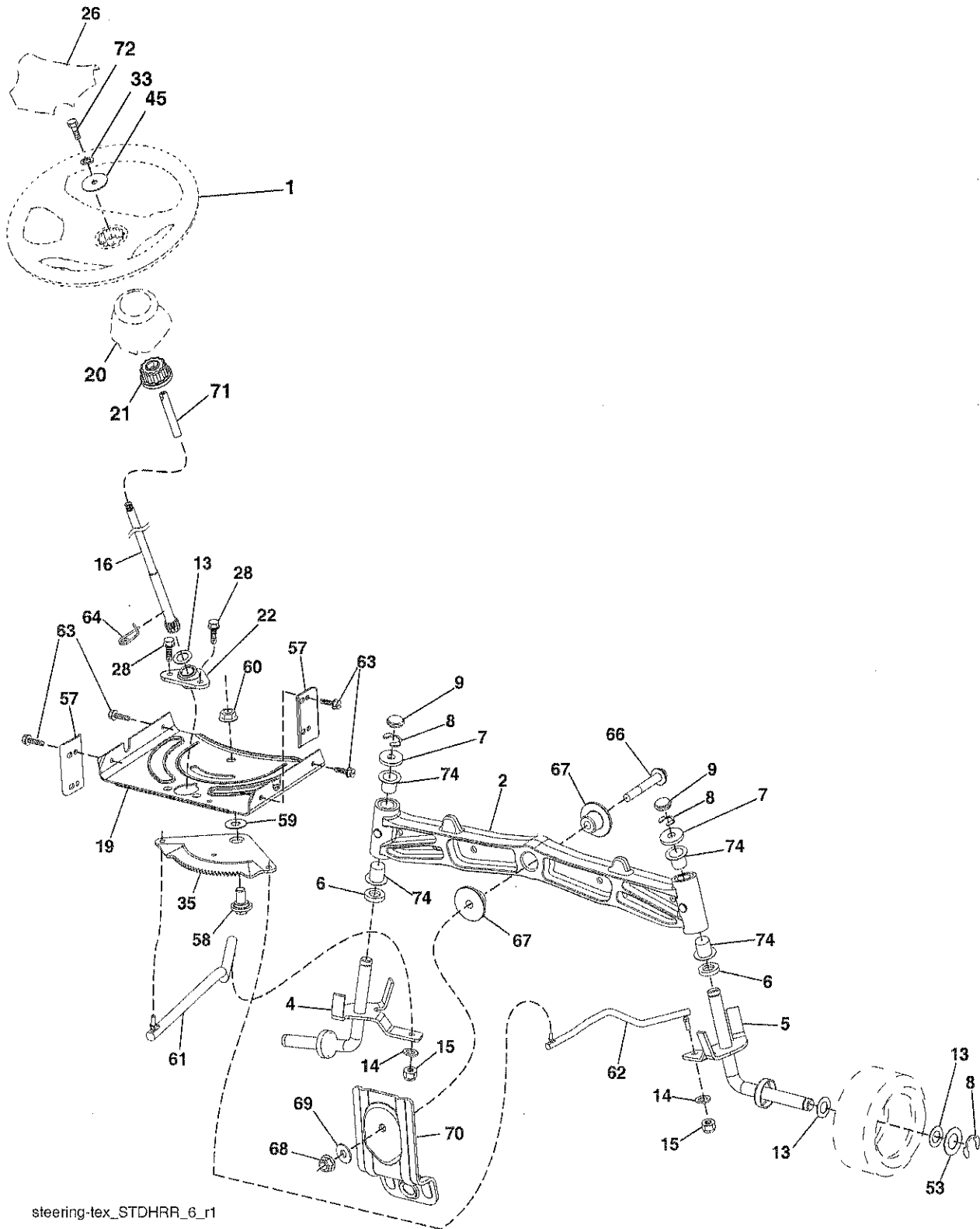
KEY NO.	PART NO.	DESCRIPTION	KEY NO.	PART NO.	DESCRIPTION
1	-----	Transaxle, Peerless 206-565 (See Transaxle Breakdown)	161	105709X	Spring, Return, Clutch
2	123583X	Key Square	165	196212	Busing Shaft Brake Hand Control
15	19131316	Washer 13/32 x 13/16 x 16 Ga.	166	429164	Nut Push .625
17	197297	Spring, Brake	167	405257	Latch Brake Parking
22	197660	Rod Shift	172	197657	Strap Torque LH
23	106933X	Knob	174	197289	Nut Push
26	197455	Spring Brake RTN	175	197858	Shaft Asm Shift
29	197267	Rod, Brake	176	196214	Arm Clevis Rod Shift
33	12000001	Ring E	178	197456	Spring Shift
35	401031	Rod, Brake, Park	183	137057	Spacer, Axle
37	121749X	Washer 25/32 x 1-1/4 x 16 Ga.	184	199996X505	Handle Parking Brake
42	8883R	Cover, Foot Pedal	185	72110622	Bolt
49	72110614	Bolt	186	194321	Spacer Retainer
50	194327	Pulley Idler Flat	187	19133210	Washer
51	73900600	Lock Nut 3/8-16	188	194323	Link Clutch Ground Drive
52	194326	Idler V-Groove	189	194317	Bellcrank Ground Drive
56	194346	V-Belt, Drive	190	194318	Keeper Bellcrank Ground Drive
61	123666X	Pulley Transaxle	192	150360	Nut Lock Center 1/4-28
64	196200	Shaft Asm. Pedal Brake Control	193	17060512	Screw 5/16-18 x 3/4
70	193225X428	Console	195	197332	Bracket Brake Rod
73	74490544	Bolt 5/16-18 Gr. 5	202	197859	Link Shift
74	142432	Screw 1/4 x 1/2	203	19111116	Washer 11/32 x 11/16 x 16 Ga.
116	73900500	Nut Lock Hex Flange 5/16-18	205	121748X	Washer 25/32 x 1-5/8 x 16 Ga.
125	17000512	Screw 5/16-18 x 3/4	221	403187	Retainer Spring Clip Handle
134	197857	Arm Shift	232	74780716	Bolt 7/16-14 x 1 Gr. 5
139	74550412	Bolt 1/4-20 unf Gr. 8 w/Patch	233	405296	Washer Serrated
140	10040400	Washer Lock Hvy Helical 1/4	263	17000612	Screw Hexwsh Thdr 3/8-16 x 3/4
141	19091210	Washer 9/32 x 3/4 x 10 Ga.	268	19131614	Washer 13/32 x 1 x 14 Ga.
155	12000028	Ring Retainer	275	182402	Guard Muffler
157	105701X	Washer Plate Shf			
158	194352	Keeper T/A			
159	76020412	Pin Cotter 1/8 x 3/4			
160	169484	Retainer Clip			

NOTE: All component dimensions given in U.S. inches
1 inch = 25.4 mm

REPAIR PARTS

TRACTOR- -MODEL NO. 917.253631

STEERING ASSEMBLY



steering-tex_STDHRR_6_r1

REPAIR PARTS

TRACTOR- -MODEL NO. 917.253631

STEERING ASSEMBLY

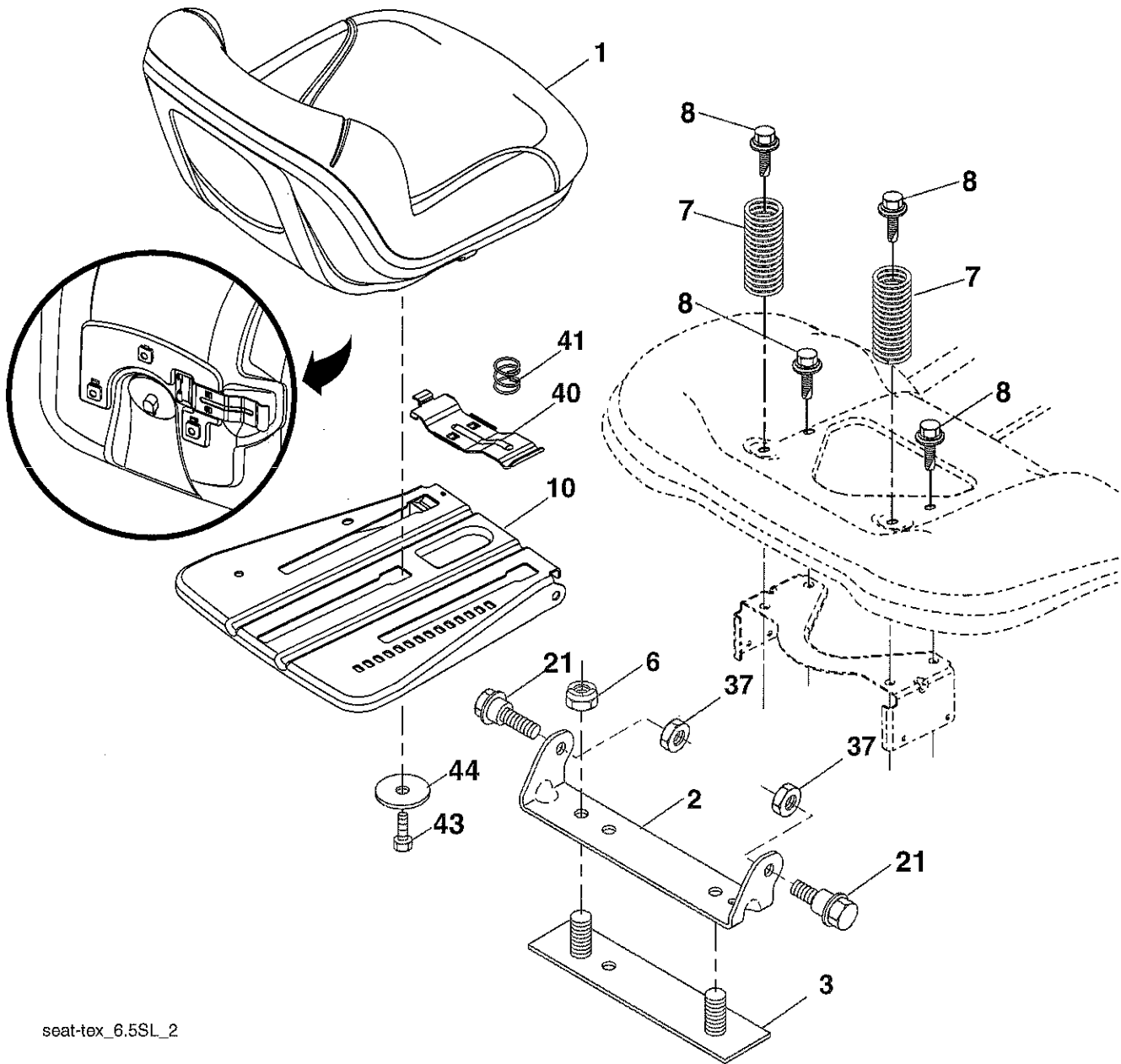
KEY NO.	PART NO.	DESCRIPTION
1	414803X428	Wheel, Steering
2	418168	Axle Asm., Front
4	403087	Spindle Asm., LH
5	403088	Spindle Asm., RH
6	6266H	Washer Thrust 0.75 x 1.23
7	121748X	Washer 25/32 x 1-5/8 x 16 Ga.
8	1200029	Ring, Clip #T5304-75
9	121232X	Cap, Spindle
13	121749X	Washer 25/32 x 1-1/4 x 16 Ga.
14	10040600	Washer Lock 3/8
15	73540600	Nut, Crown Lock 3/8-24 unf
16	429373	Shaft Steering
19	194729	Plate Steering
20	400803X428	Boot, Steering
21	186737	Adapter, Wheel Steering
22	420537	Steering Supt. Lower
26	414852X428	Insert, Wheel Steering
28	17000612	Screw 3/8-16 x 3/4
33	10040500	Washer Lock 5/16
35	194732	Gear, Sector Plate
45	19113812	Washer 11/32 x 2-3/8 x 12 Ga.
53	188967	Washer Hardened .793 x 1.637 x .060
57	407465	Bracket Upstop
58	194747	Bolt Shoulder Sector Pivot CFM
59	194748	Washer Thrust Sector Steering
60	73971000	Nut Flange Lock 5/8-11
61	194740	Draglink, LH
62	194741	Draglink, RH
63	17000512	Screw 5/16-18 x 3/4
64	199849	Retainer Clip Spring Steering
66	71020748	Bolt Hex Fghd 7/16-14 x 3 Serr
67	194737	Bushing PM Front Axle
68	73900700	Nut Lock Flange 7/16-14 Gr. 5
69	199162	Washer 1.5 x .505 x .118
70	196197	Bracket Deck Susp. Front
71	190752	Shaft Ext. Steering
72	428982	Bolt Fin Hex 5/16-18 x 4
74	3366R	Bearing

NOTE: All component dimensions given in U.S. inches.
1 inch = 25.4 mm.

REPAIR PARTS

TRACTOR- -MODEL NO. 917.253631

SEAT ASSEMBLY



seat-tex_6.5SL_2

KEY NO.	PART NO.	DESCRIPTION
1	423644	Seat
2	180166	Bracket Pivot Fender
3	140675	Strap, Asm Fender
6	73800600	Nut, Lock w/Ins. 3/8-16 unc
7	124181X	Spring, Seat Cprsn
8	171877	Bolt 5/16-18 unc x 3/4 w/Sems
10	196977	Pan, Seat
21	171852	Bolt, Shoulder 5/16-18

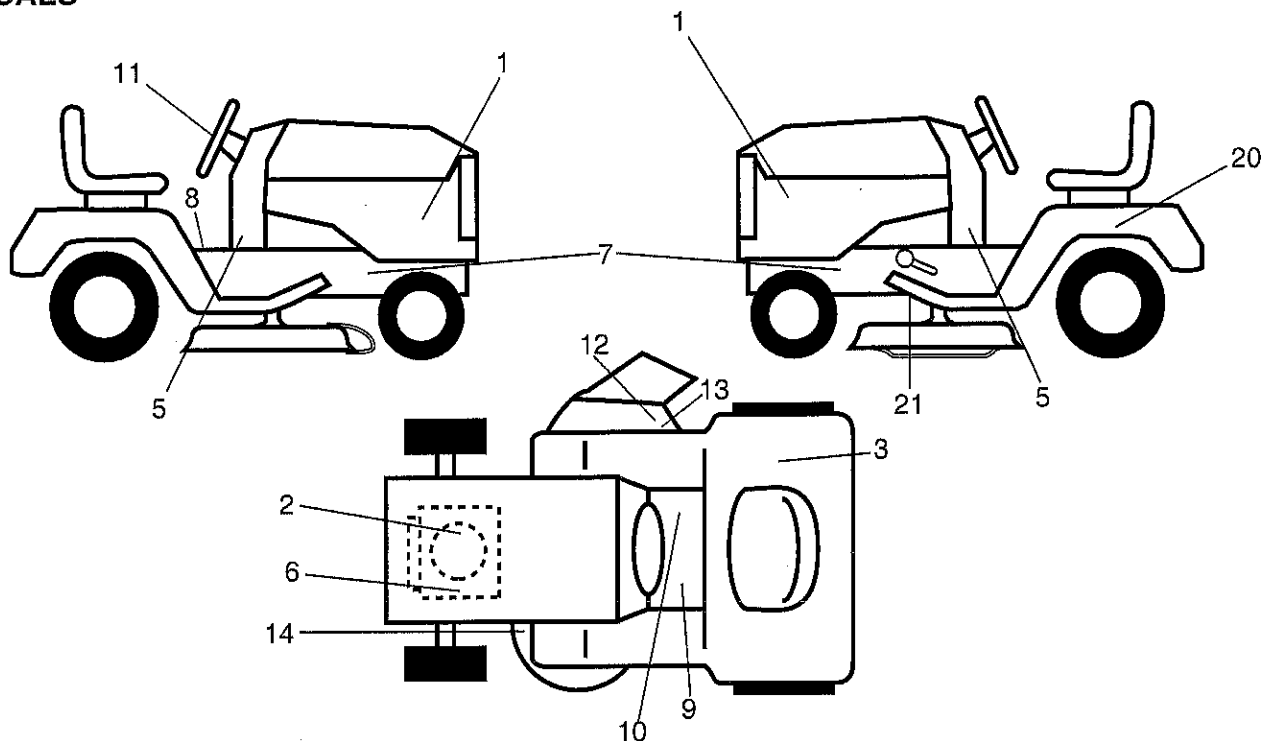
KEY NO.	PART NO.	DESCRIPTION
37	73800500	Nut, Lock 5/16-18 unc
40	197661	Handle Slide
41	198200	Spring Latch
43	74760612	Bolt 3/8-16 unc x 3/4
44	19133812	Washer 13/32 x 2 3/8 x 12 Ga.

NOTE: All component dimensions given in U.S. inches.
1 inch = 25.4 mm

REPAIR PARTS

TRACTOR- -MODEL NO. 917.253631

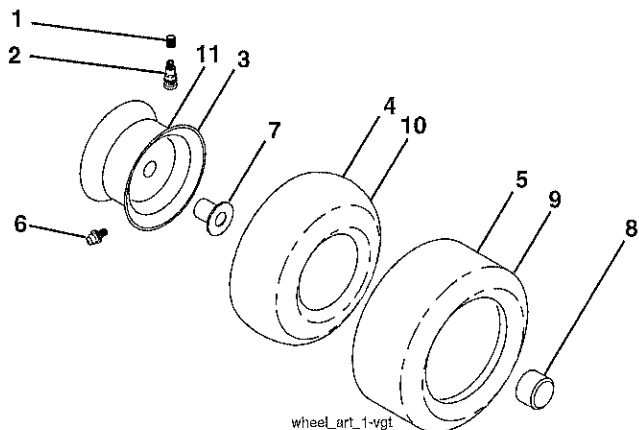
DECALS



KEY NO.	PART NO.	DESCRIPTION
1	433082	Decal Side Panel Logo
2	432935	Decal Eng. H.P.
3	180432	Decal Fender 100 DB/CE
5	425634	Decal Lwr Dash
6	196841	Decal Warning Engine Symbols
7	159736	Decal Chassis Hot Muffler
8	400389	Decal Fender Warn
9	159737	Decal Brake/Clutch Symbols
10	140837	Decal Saddle Brake Parking
11	422885	Decal Ins Strg Whl
12	182166	Decal Cutfinger CE
13	196357	Decal Deflect. Warn. Cutfngr. Sym.

KEY NO.	PART NO.	DESCRIPTION
14	194302	Decal V-Belt Schematic
20	145005	Decal Bat Dan/Psn
21	421534	Decal V-Belt Sch.
--	162598	Decal Drawbar Load Limit
--	193226X428	Pad Footrest LH
--	193227X428	Pad Footrest RH
--	435144	Manual Operator's (Euro)
--	435145	Manual Operator's (Scand)
--	435146	Manual Operator's (Ebloo)
--	435147	Manual Operator's (Baltic)
--	435148	Manual Parts

WHEELS & TIRES



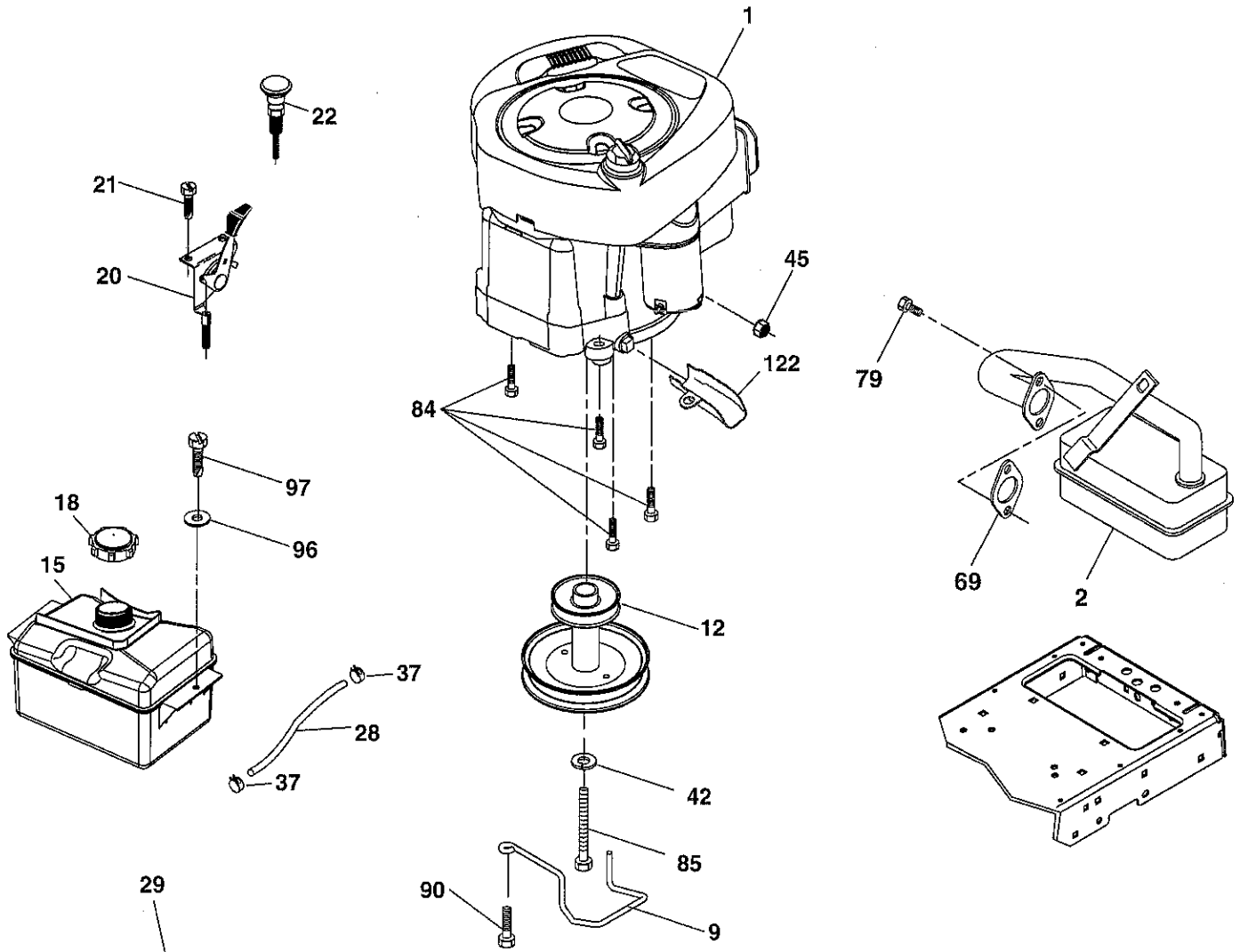
KEY NO.	PART NO.	DESCRIPTION
1	59192	Cap Valve Tire
2	65139	Stem Valve
3	106732X613	Rim Asm 6" Front
4	59904	Tube Front (Service Item Only)
5	106222X	Tire F T 15 x 6 0 - 6
6	278H	Fitting Grease (Front Wheel Only)
7	9040H	Bearing Flange (Front Wheel Only)
8	104757X428	Cap Axle Blk 1 50 x 1 00
9	420531	Tire R T 18 x 9.5-8C
10	7152J	Tube Rear (Service Item Only)
11	106108X613	Rim Asm 8" Rear Service
--	144334	Sealant, Tire (10 oz. Tube)

NOTE: All component dimensions given in U.S. inches
1 inch = 25.4 mm

REPAIR PARTS

TRACTOR- -MODEL NO. 917.253631

ENGINE



OPTIONAL EQUIPMENT
Spark Arrester

engine-tex_BS_35

REPAIR PARTS

TRACTOR- -MODEL NO. 917.253631

ENGINE

KEY NO.	PART NO.	DESCRIPTION
1	-----	Engine B&S Model No. 31C707-1429-B1 (See Transaxle Breakdown)
2	137352	Muffler
9	194319	Keeper Belt Engine
12	401985	Pulley Engine
15	407545	Tank Fuel 1.50
18	430220	Cap Asm
20	176636X428	Control Throttle
21	416358	Screw #10 x 0.750
22	187771X428	Control Choke
28	137040	Fuel Line
29	137180	Spark Arrester Kit
37	123487X	Clamp Hose
42	10040700	Washer Lock 7/16
45	73510400	Nut Keps Hex 1/4-20 unc
69	165291	Gasket
79	192334	Screw Socket Hd 5/16-18 x .75
84	17060620	Screw 3/8-16 x 1-1/4
85	173937	Bolt Hex 7/16-20 x 4 x Gr. 5-1.5
90	17000616	Screw 3/8-16 x 1.0
96	19091416	Washer 9/32 x 7/8 x 16 Ga.
97	17670412	Screw 1/4-20 x 3/4
122	421922	Extension Drain Oil

NOTE: All component dimensions given in U.S. inches
1 inch = 25.4 mm

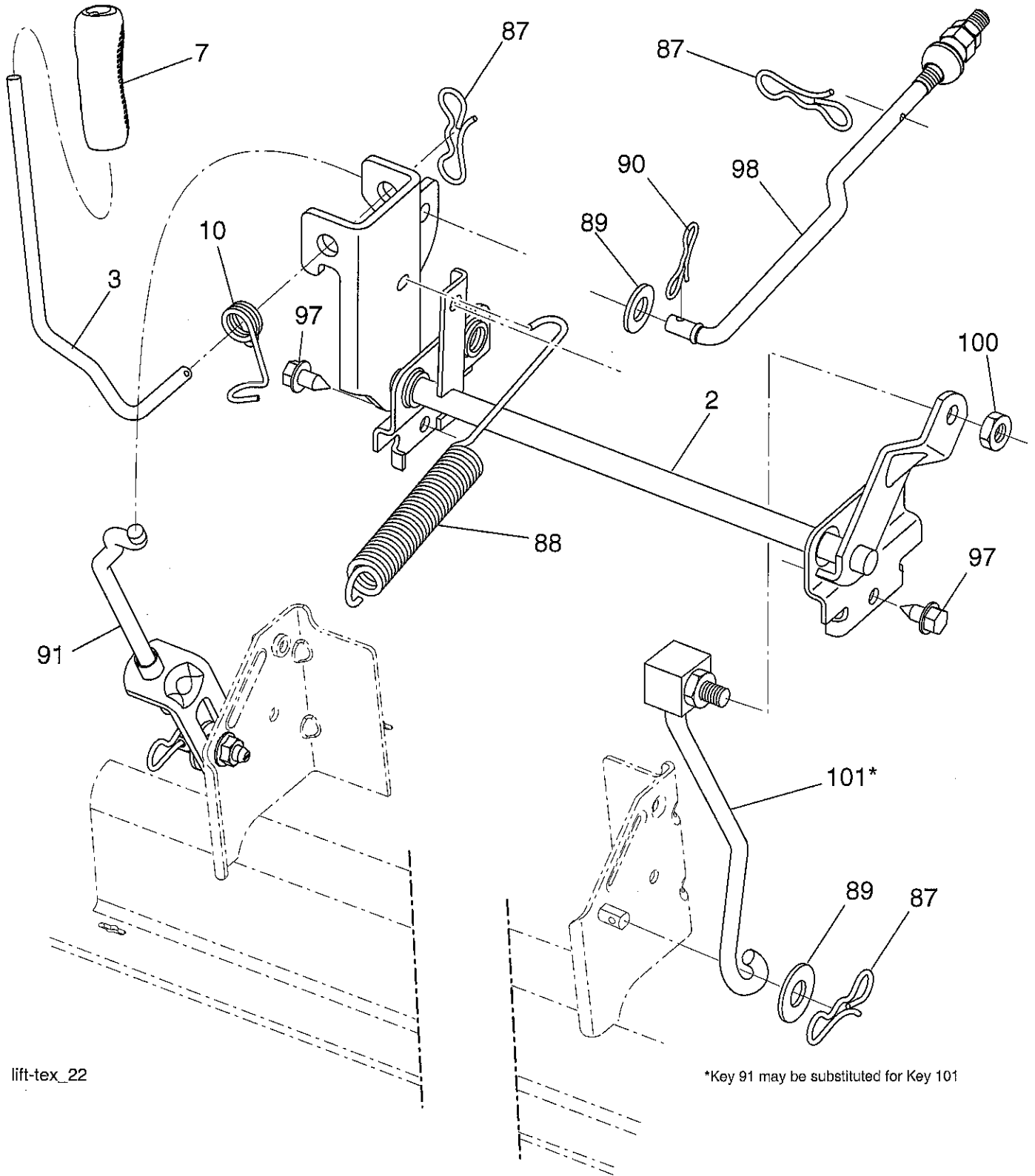
Engine Power Rating Information

The gross power rating for individual gas engine models is labeled in accordance with SAE (Society of Automotive Engineers) code J1940 (Small Engine Power & Torque Rating Procedure), and rating performance has been obtained and corrected in accordance with SAE J1995 (Revision 2002-05). Torque values are derived at 3060 RPM; horsepower values are derived at 3600 RPM. Actual gross engine power will be lower and is affected by, among other things, ambient operating conditions and engine-to-engine variability. Given both the wide array of products on which engines are placed and the variety of environmental issues applicable to operating the equipment, the gas engine will not develop the rated gross power when used in a given piece of power equipment (actual "on-site" or net power). This difference is due to a variety of factors including, but not limited to, accessories (air cleaner, exhaust, charging, cooling, carburetor, fuel pump, etc.), application limitations, ambient operating conditions (temperature, humidity, altitude), and engine-to-engine variability. Due to manufacturing and capacity limitations, Briggs & Stratton may substitute an engine of higher rated power for this Series engine.

REPAIR PARTS

TRACTOR- -MODEL NO. 917.253631

MOWER LIFT



lift-tex_22

*Key 91 may be substituted for Key 101

REPAIR PARTS

TRACTOR- -MODEL NO. 917.253631

MOWER LIFT

KEY NO.	PART NO.	DESCRIPTION
2	422027	Shaft Asm., Lift
3	195231	Lever Asm., Lift RH
7	196492X428	Grip, Lever
10	196314	Spring Torsion
87	194209	Pin Cotter 7/16 Bow Tie Lock
88	410710	Spring Lift Assist
89	19191912	Washer Clear Zinc
90	194208	Pin Cotter 5/16 Bow Tie Lock
91	195181	Link Lift Susp Mower Rear
97	17000612	Screw 3/8-16 x .75
98	195270	Link Lift Susp. Front Mower
100	73930600	Nut Centerlock 3/8-16 unc
101	407003	Link Asm. Lift FXD

NOTE: All component dimensions given in U.S. inches
1 inch = 25.4 mm

REPAIR PARTS

TRACTOR- -MODEL NO. 917.253631

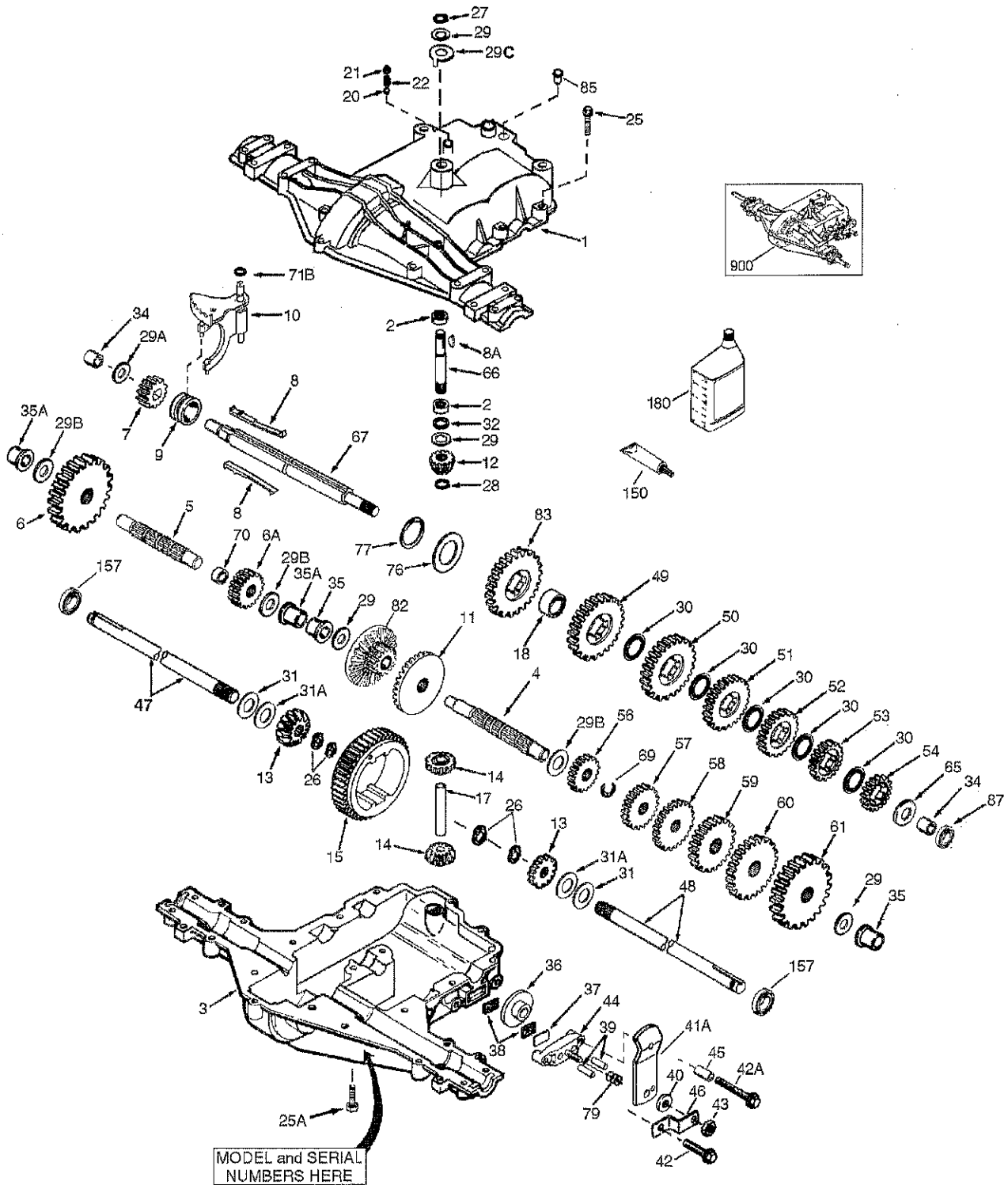
MOWER

KEY NO.	PART NO.	DESCRIPTION	KEY NO.	PART NO.	DESCRIPTION
1	194251	Mower Housing	60	199471	Arm Brake Mower
6	195186	Arm Suspension	63	199470	Arm Brake Mower
7	416358	Screw 10 x .750 BOS Thread	64	199790	Linkage Brake
8	193003	Bolt/Washer Asm 7/16-20 unf	67	198398X428	Handle, Clutch Cable
11	193957	Blade 3 in 1	68	408381	V-Belt
13	192872	Shaft Assembly, Mandrel	69	72140505	Bolt Rdhd Sqnk 5/16-18 x 5/8
14	187281	Housing, Mandrel	70	401246	Clutch Asm. Manual
15	110485X	Bearing, Ball, Mandrel	101	193215	Cover Asm. Mulching 38"
19	196539	Bolt, Shoulder	122	197258	Keeper Belt Eng. LH
21	73680500	Nut, Crownlock 5/16-18 unc	123	197259	Keeper Belt Eng. RH
23	192557	Bracket, Deflector	144	193414	Keeper Belt
24	105304X	Cap, Sleeve	145	193197	Pulley, Idler, Flat
25	197026	Spring, Torsion, Deflector	147	401872	Spring Return
26	110452X	Nut, Push	152	408714	Cable Clutch Manual w/Spr.
27	199445X428	Shield, Deflector	188	195161	Stud Fastener
29	131491	Rod, Hinge	189	73900500	Nut Lock Hex Flange
30	173984	Screw Thdrol Rolling Wsh Hd	195	17000612	Screw Hexwsh Thdr 3/8-16 x 3/4
31	187690	Washer, Spacer	199	400095	Baffle, Vortex
32	199789	Pulley, Mandrel	208	17670608	Screw Thdrol 3/8-16 x 1/2
33	400234	Nut, Toplock, Flanged	209	19133210	Washer 13/32 x 2 x 10 Ga.
34	72110612	Bolt Carr Sh. 3/8-16 x 1-1/2 Gr. 5	--	192870	Mandrel Assembly (Mandrel Assembly (Includes housing, shaft assembly, and bearing only - pulley/nut/washer and blade bolt/washers not included)
37	19131316	Washer 13/32 x 13/16 x 16 Ga.	--	400422	Replacement Mower, Complete
38	199541	Keeper Belt LH Mandrel			
40	73900600	Nut, Lock Fig. 3/8-16 unc			
42	198410	Spring Torsion Brake			
43	197256	Spring Torsion Retainer			
46	137729	Screw Thd Roll 1/4-20 x 5/8			
55	197249	Arm, Idler			
56	199092	Spacer, Retainer			
57	17000616	Screw Hexwsh Thd 3/8-16 x 1			
59	141043	Guard, Tuv Idler (94)			

NOTE: All component dimensions given in U.S. inches
1 inch = 25.4 mm

TRACTOR - - MODEL NUMBER 917.253631

PEERLESS TRANSAXLE - MODEL NUMBER 206-565



TRACTOR - - MODEL NUMBER 917.253631

PEERLESS TRANSAXLE - MODEL NUMBER 206-565

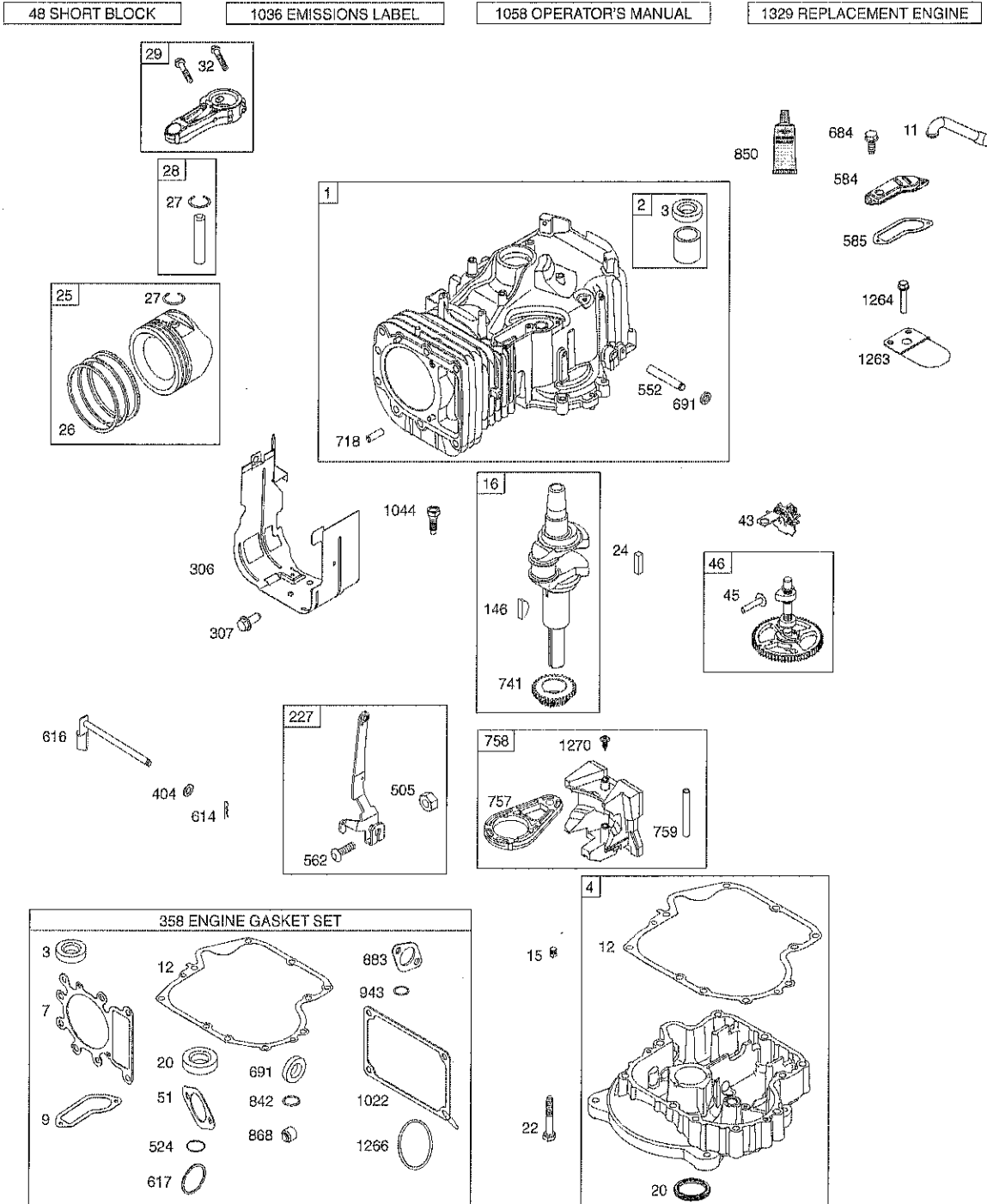
KEY NO.	PART NO.	DESCRIPTION	KEY NO.	PART NO.	DESCRIPTION
1	772147	Transaxle Cover	42	792073A	Screw 1/4-20 x 1-1/4"
2	780086A	Needle Bearing 5/8"	42A	792085A	Screw 1/4-20 x 2-1/4"
3	770128	Transaxle Case	43	792075	Locknut 5/16-24
4	776395	Countershaft	44	790025	Brake Pad Holder
5	776409	Output Shaft	45	786067	Spacer .2625 x 1.0
6	778364	Spur Gear (38 teeth)	46	786086	Brake Lever Bracket
6A	778369	Spur Gear (15 teeth)	47	774690	Axle (11-15/16" long)
7	778330	Spur Gear (11 teeth)	48	774691	Axle (16-1/2" long)
8	792180	Shift Key	49	778356	Spur Gear (29 teeth)
8A	792047	Woodruff Key #9	50	778338	Spur Gear (27 teeth)
9	784352	Shift Collar	51	778354	Spur Gear (23 teeth)
10	784378	Shift Rod & Fork	52	778313	Spur Gear (19 teeth)
11	778334	Bevel Gear (30 teeth)	53	778350	Spur Gear (16 teeth)
12	778309	Input Bevel Pinion (13 teeth)	54	778346	Spur Gear (15 teeth)
13	778368	Bevel Gear (13 teeth) (Incl. 14)	56	778355	Spur Gear (11 teeth)
14	778368	Bevel Pinion (13 teeth) (Incl. 13)	57	778351	Spur Gear (21 teeth)
15	778370	Ring Gear (43 teeth)	60	778349	Spur Gear (24 teeth)
17	786188	Drive Pin	61	778345	Spur Gear (25 teeth)
18	786102	Spacer 1.130 x .695	65	780189	Flat Washer .563 ID x .062W
20	792077A	Ball 5/16" dia	66	776422	Input Shaft
21	792211	Cap Screw 3/8-16 x 3/8"	67	776396	Shifter & Brake Shaft
22	792079	Spring .310 OD x .625 L	69	792170	Retaining Ring
25	792073A	Screw 1/4-20 x 1-1/4"	70	786187	Spacer .890
25A	792177	Screw 1/4-20 x 1-3/8"	71B	788092	"O" Ring
26	792125	Retaining Ring (pkg of 2)	76	780090	Flat Washer 1.128 ID x .058W
27	792035	Retaining Ring	77	788078A	Inverted Retaining Ring
28	788040	Retaining Ring	79	792144	Spring .430 OD x .5000 L
29	780072	Thrust Washer .627 ID x .031W	82	778333	Bevel & Spur Gear (30 & 13 teeth)
29A	780160	Thrust Washer .563 ID x .031W	83	778338	Spur Gear (27 teeth)
29B	780051	Thrust Washer .762 ID x .031W	85	792154	Oil Fill Plug
29C	780199	Anti-Rotation Washer .632	87	788089A	Oil Seal 9/16"
30	780108	Cup Washer 1.127 ID x .032W	150	788093A	Liquid Gasket RTV Silicone
31	780001	Flat Washer .750 ID x .056W (Use As Needed)	157	788088A	Oil Seal 3/4"
31A	780195	Flat Washer .750 ID x .062W	180	730229A	Gear Oil 80W90
32	788083	Oil Seal 5/8"	900	794691	Replacement MST-206-545C Transaxle
34	780194	Bushing .563	900	--	Remove: 790079 Brake Lever
35	780193	Flanged Bushing 5/8" ID	900	---	Add: 790058 Brake Lever
35A	780197	Flanged Bushing .751			
36	790075	Brake Disk			
37	790007	Brake Pad Plate			
38	799021	Brake Pad (pkg of 2)			
39	786026	Dowel Pin			
40	792076A	Flat Washer .312 ID x .059W			
41A	790058	Brake Lever			

NOTE: All component dimensions given in U.S. inches
1 inch = 25.4 mm

REPAIR PARTS

TRACTOR- -MODEL NO. 917.253631

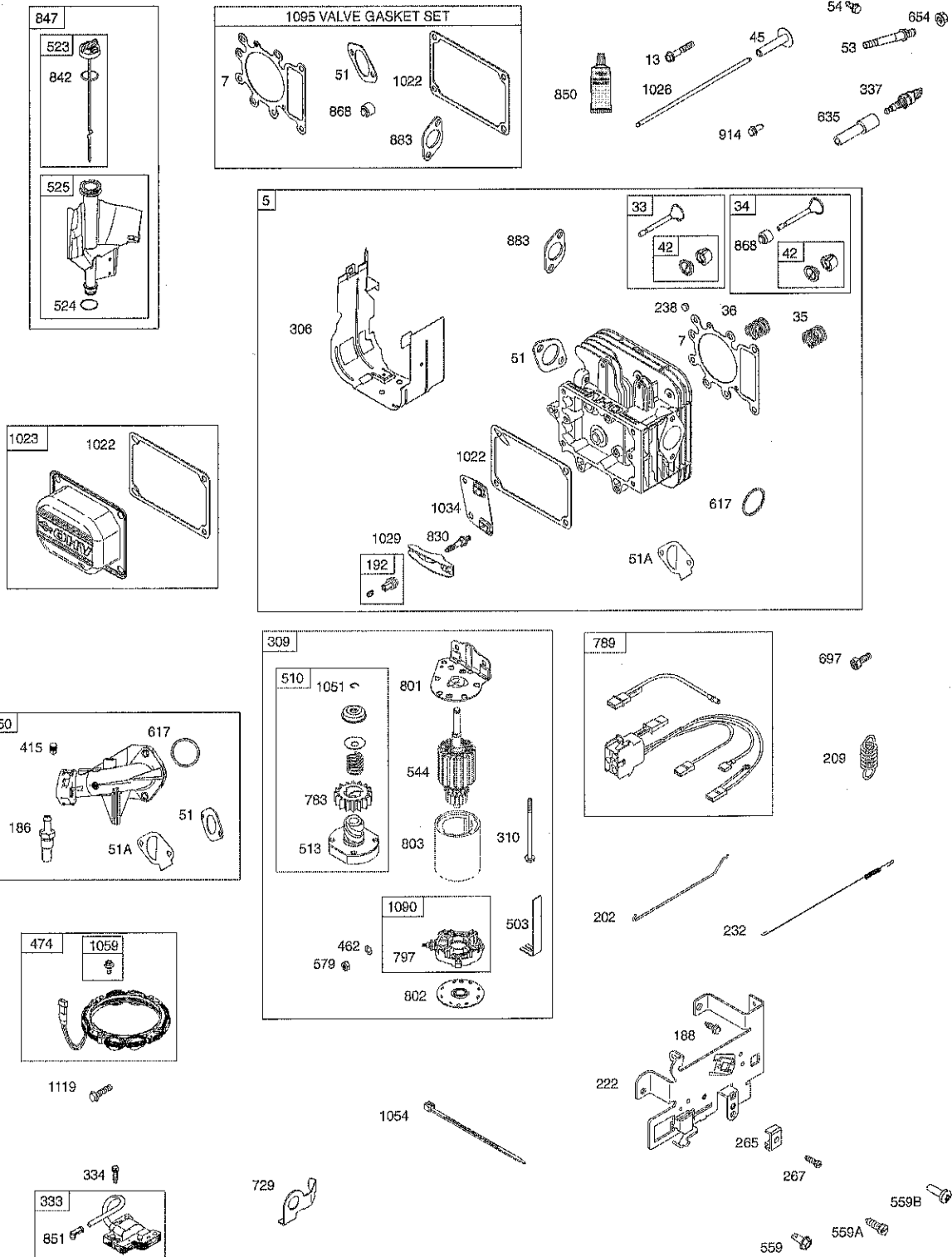
BRIGGS & STRATTON ENGINE - - MODEL NUMBER 31C707, TYPE NUMBER 1429-B1



REPAIR PARTS

TRACTOR- -MODEL NO. 917.253631

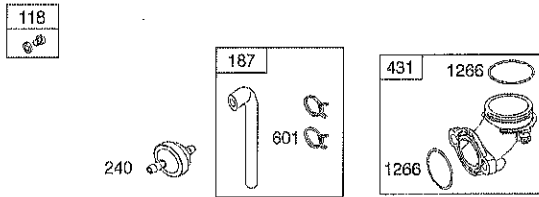
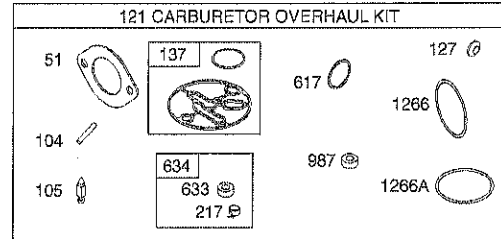
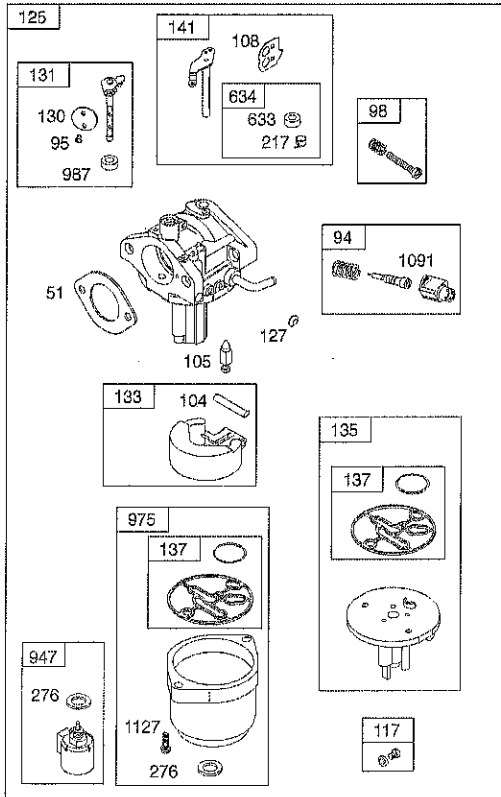
BRIGGS & STRATTON ENGINE - - MODEL NUMBER 31C707, TYPE NUMBER 1429-B1



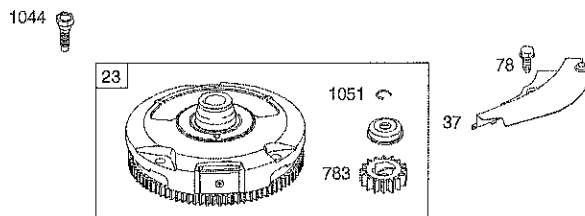
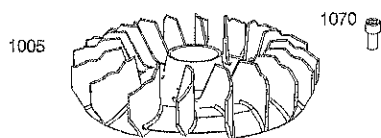
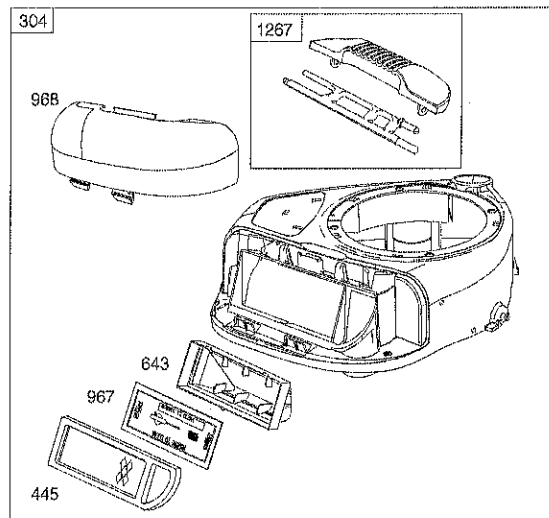
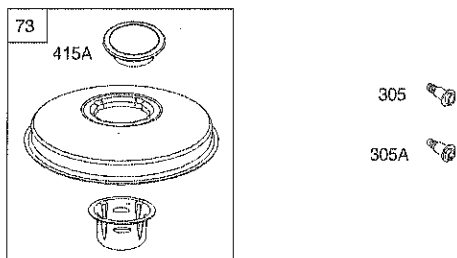
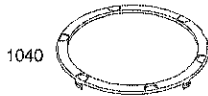
REPAIR PARTS

TRACTOR- -MODEL NO. 917.253631

BRIGGS & STRATTON ENGINE - - MODEL NUMBER 31C707, TYPE NUMBER 1429-B1



1036 EMISSIONS LABEL



REPAIR PARTS

TRACTOR- -MODEL NO. 917.253631

BRIGGS & STRATTON ENGINE - - MODEL NUMBER 31C707, TYPE NUMBER 1429-B1

KEY NO.	PART NO.	DESCRIPTION	KEY NO.	PART NO.	DESCRIPTION
1	796010	Cylinder Assembly	108	695419	Valve-Choke
2	399265	Bushing/Seal Kit (Magneto Side)	117	843099	Jet-Main (Standard)
3	391086s	• Seal-Oil (Magneto Side)	118	790890	Jet-Main (High Altitude)
4	697106	Sump-Engine	121	796184	Kit-Carburetor Overhaul
5	796025	Head-Cylinder	125	796109	Carburetor
7	796584	•∅ Gasket-Cylinder Head	127	690727	+ Plug-Welch
11	794683	Tube-Breather	130	699500	Valve-Throttle
12	697110	• Gasket-Crankcase	131	699501	Kit-Throttle Shaft
13	793988	Screw (Cylinder Head)	133	694914	Float-Carburetor
15	690946	Plug-Oil Drain	135	698780	Tube-Fuel Transfer
16	797579	Crankshaft	137	698781	+ Gasket-Float Bowl
20	795387	• Seal-Oil (PTO Side)	141	792777	Kit-Choke Shaft
22	692125	Screw (Crankcase Cover/Sump)	146	691639	Key-Timing
23	698281	Flywheel	186	794873	Connector-Hose (Intake Manifold)
24	222698s	Key-Flywheel	187	791805	Line-Fuel (Formed)(Cut to
25	796172	Piston Assembly (Standard)			Required Length)
	796173	Piston Assembly (.020" Over-size)	188	691693	Screw (Control Bracket)
26	791936	Ring Set (Standard)	192	691986	Adjuster-Rocker Arm
	792649	Ring Set (.020" Oversize)	202	691841	Link-Mechanical Governor
27	698469	Lock-Piston Pin	209	692208	Spring-Governor (Green)
28	796007	Pin-Piston	217	695409	Spring-Choke Return
29	794122	Rod-Connecting	222	694042	Bracket-Control
32	791118	Screw (Connecting Rod)	227	691374	Lever-Governor Control
33	792868	Valve-Exhaust	232	691842	Spring-Governor Link
34	791935	Valve-Intake	238	691843	Cap-Valve
35	691279	Spring-Valve (Intake)	240	394358s	Filter-Fuel
36	691279	Spring-Valve (Exhaust)	265	691024	Clamp-Casing
37	697352	Guard-Flywheel	267	794904	Screw (Casing Clamp)
42	499586	Keeper-Valve	276	695410	Washer-Sealing
43	691968	Slinger-Governor/Oil	304	796416	Blower Housing
45	690564	Tappet-Valve	305	697102	Screw (Blower Housing)(Long)
46	793880	Gear-Cam	305A	793376	Screw (Blower Housing)(Short)
48		Short Block	306	796006	Shield-Cylinder
50	796180	Manifold-Intake	307	691003	Screw (Cylinder Shield)
51	692137	•∅+ Gasket-Intake	309	693551	Motor-Starter
51A	796081	Gasket-Intake	310	690323	Screw (Starter Motor)
53	690227	Stud (Carburetor)	324	796308	Screen/Cup Assembly
54	691148	Screw (Intake Manifold)	333	795315	Armature-Magneto
78	691003	Screw (Flywheel Guard)	334	691061	Screw (Magneto Armature)
94	793610	Kit-Idle Mixture	337	691043	Plug-Spark
95	690718	Screw (Throttle Valve)	358	796187	Gasket Set-Engine
98	695408	Kit-Idle Speed	404	691691	Washer (Governor Crank)
104	694918+	Pin-Float Hinge	415	690283	Plug (Intake Manifold)
105	696136+	Valve-Float Needle	415A	794129	Plug (Cover/Retainer)

REPAIR PARTS

TRACTOR- -MODEL NO. 917.253631

BRIGGS & STRATTON ENGINE - - MODEL NUMBER 31C707, TYPE NUMBER 1429-B1

KEY NO.	PART NO.	DESCRIPTION	KEY NO.	PART NO.	DESCRIPTION
431	697122	Elbow-Intake	850	100106	Sealant-Liquid (Liquid Sealant is interchangeable with Breather Passage Gasket and/or Rocker Cover Gasket)
445	797008	Filter-Air Cleaner Cartridge			
462	691261	Washer (Starter Cable)			
474	696459	Alternator			
503	691532	Strap-Starter	851	692424	Terminal-Spark Plug
505	691251	Nut (Governor Control Lever)	868	690968	• Seal-Valve
510	693699	Drive-Starter	883	692236	• Gasket-Exhaust
513	692024	Clutch-Drive	914	697551	Screw (Rocker Cover)
523	699908	Dipstick	947	699915	Solenoid-Fuel
524	691032	• Seal-Dipstick Tube	967	697015	Filter-Pre Cleaner
525	697184	Tube-Dipstick	968	698403	Cover-Air Cleaner
544	693551	Armature-Starter (Order Starter Motor, Reference 309, for replacement)	975	699502	Bowl-Fuel
			987	698777	+ Seal-Throttle Shaft
552	697144	Bushing-Governor Crank	1005	796083	Fan-Flywheel
562	691119	Screw (Governor Control Lever)	1022	272475s	Ø• Gasket-Rocker Cover
579	691029	Nut (Starter Cable)	1023	797421	Cover-Rocker
584	794682	Cover-Breather Passage (Use with Liquid Sealant, Reference 850)	1026	692003	Rod-Push (Intake)
				692011	Rod-Push (Exhaust)
			1029	691751	Arm-Rocker
			1034	690822	Guide-Push Rod
585	697109	• Gasket-Breather Passage	1036		Label-Emissions (Available from a Briggs & Stratton Authorized-Dealer)
601	791850	Hose-Clamp (Green)			
614	691620	Pin-Cotter			
616	692012	Crank-Governor	1040	698368	Plate-Trim
617	692138	•+ Seal-O Ring (Intake Manifold) (Red)	1044	698139	Screw (Flywheel)
			1051	691265	Ring-Retaining
633	699813	Seal-Choke/Throttle Shaft (Choke Shaft)	1054	280275	Tie-Cable
			1059	698516	Kit-Screw/Washer
634	698779	+ Spring/Seal Assembly(Choke Shaft)	1070	690363	Screw (Flywheel Fan)
			1090	691293	Retainer-Brush
635	691909	Boot-Spark Plug	1091	691333	Cap-Limiter
643	698401	Retainer-Air Filter	1095	794152	Gasket Set-Valve
654	690958	Nut (Carburetor)	1119	691183	Screw (Alternator)
684	697157	Screw (Breather Assembly)	1127	695407	Screw (Float Bowl)
691	692407	• Seal-Governor Shaft	1263	697124	Reed-Breather
718	690959	Pin-Locating	1264	697104	Screw (Breather Reed)
724	697478	Link-Starter Switch	1266	691917	•+ Seal-O Ring (Intake Elbow) (Red)
729	691224	Clip-Wire			
741	697128	Gear-Timing	1266A	697123	+ Seal-O Ring (Intake Elbow)
757	793242	Link-Counterweight	1267	697419	Latch-Blower Housing
758	793763	Counterweight	1270	793243	Plug-AVS Counterweight
759	697392	Pin-Counterweight	1329		Replacement Engine
783	693713	Gear-Pinion	1330	272147	Repair Manual
789	698329	Harness-Wiring			
797	693167	Nut (Brush Retainer)	•	Engine Gasket Set	Key No. 358
801	691283	Cap-Drive	Ø	Valve Gasket Set	Key No. 1095
802	691286	Cap-End	+	Carburetor Overhaul Kit	Key No. 121
803	693551	Housing-Starter (Order Starter Motor, Reference 309, for replacement)			
830	691095	Stud-Rocker Arm			
842	691031	• Seal-O Ring (Dipstick Tube)			
847	790442	Dipstick/Tube Assembly			

NOTE: All component dimensions given in U.S. inches
1 inch = 25.4 mm

LIMITED WARRANTY ON CRAFTSMAN RIDING EQUIPMENT

For two (2) years from the date of purchase, if this Craftsman Riding Equipment is maintained, lubricated and tuned up according to the instructions in the owner's manual, Sears will repair or replace free of charge any parts that are found to be defective in material or workmanship according to the guidelines of coverage listed below. Sears will also provide free labor for these applicable warranted parts for the two full years. During the first 30 days of purchase, there will be no charges to service the product at your home for issues covered by this warranty. (See exclusions below). For your convenience, IN HOME warranty service will still be available after the first 30 days of purchase, but a trip charge will apply. This charge will be waived if the Craftsman product is dropped off at an authorized Sears location. For the nearest authorized Sears location, please call 1-800-4-MY-HOME®. This warranty applies only while this product is within the United States.

This Warranty does not cover:

- Expendable items which become worn during normal use, including but not limited to blades, spark plugs, air cleaners, belts, and oil filters.
- Standard Maintenance Servicing, oil changes, or tune-ups
- Tire replacement or repair caused by punctures from outside objects, such as nails, thorns, stumps, or glass.
- Repairs necessary because of operator abuse, including but not limited to, damage caused by towing objects beyond the capability of the riding equipment, impacting objects that bend the frame or crankshaft, or over-speeding the engine.
- Repairs necessary because of operator negligence, including but not limited to, electrical and mechanical damage caused by improper storage, failure to use the proper grade and amount of engine oil, failure to keep the deck clear of flammable debris, or failure to maintain the equipment according to the instructions contained in the owner's manual.
- Engine (fuel system) cleaning or repairs caused by fuel determined to be contaminated or oxidized (stale). In general, fuel should be used within 30 days of its purchase date.
- Normal deterioration and wear of the exterior finishes, or product label replacement.
- Riding equipment used for commercial or rental purposes.

LIMITED WARRANTY ON BATTERY

For ninety (90) days from date of purchase, if any battery included with this riding equipment proves defective in material or workmanship and our testing determines the battery will not hold a charge, Sears will replace the battery at no charge. During the first 30 days of purchase, there will be no charges to replace the battery at your HOME. After the first 30 days, for your convenience, IN-HOME warranty service will still be available but a trip charge will apply. This charge will be waived if the Craftsman product is dropped off at an authorized Sears location. For the nearest authorized Sears location, please call 1-800-4-MY-HOME®.

This battery warranty applies only while this product is within the United States.

This warranty gives you specific legal rights, and you may also have other rights, which vary, from state to state.

Sears, Roebuck and Co., Dept. 817WA, Hoffman Estates, IL 60179

