

REPAIR PARTS MANUAL
MODEL NO. 253655
Lawn Tractor



HOW TO USE THIS MANUAL

This manual is designed to provide the customer with a means to identify the parts on his/her tractor when ordering repair parts. The illustrations may or may not represent the actual assemblies; therefore, it is not recommended to use this manual as a guide to assemble or disassemble the tractor. Some hardware and parts are drawn larger in order to more readily identify them.

Each tractor has its own model number.

The model number for your tractor can be found on the fender under the seat.

When ordering parts, always give the following information:

- Product - "Tractor"
- Model Number - "253655"
- Part Number
- Part Description

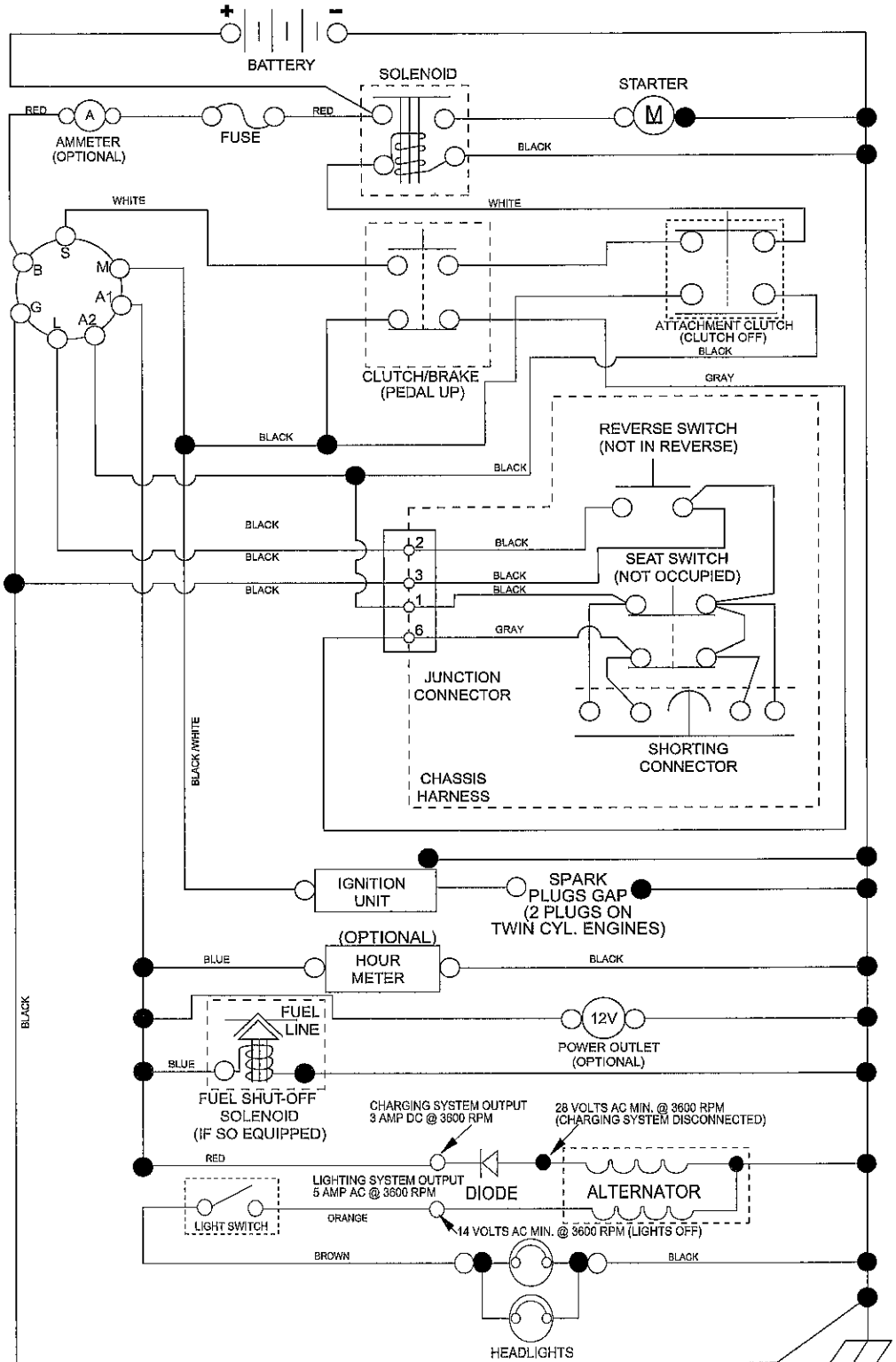
TABLE OF CONTENTS

SCHEMATIC	3
ELECTRICAL.....	4-5
CHASSIS	6-7
DRIVE.....	8-9
ENGINE.....	10-11
STEERING	12-13
MOWER DECK	14-15
MOWER LIFT.....	16-17
SEAT	18
DECALS.....	19
TRANSAXLE BREAKDOWN	20-21
ENGINE BREAKDOWN.....	22-26
WARRANTY.....	27

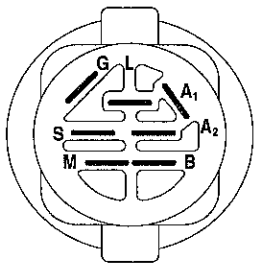
TRACTOR- -MODEL NO. 917.253655

SCHEMATIC

SCH11

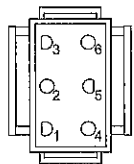


NOTE
 YOUR TRACTOR IS EQUIPPED WITH A SPECIAL ALTERNATOR SYSTEM. THE LIGHTS ARE NOT CONNECTED TO THE BATTERY, BUT HAVE THEIR OWN ELECTRICAL SOURCE. BECAUSE OF THIS, THE BRIGHTNESS OF THE LIGHTS WILL CHANGE WITH ENGINE SPEED. AT IDLE THE LIGHTS WILL DIM. AS THE ENGINE IS SPEEDED UP, THE LIGHTS WILL BECOME THEIR BRIGHTEST.

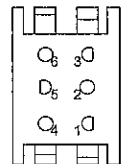


IGNITION SWITCH

POSITION	CIRCUIT "MAKE"
OFF	M+G+A1
RUN/OVERRIDE	B+A1
RUN	B+A1 L+A2
START	B+S+A1



CHASSIS HARNESS CONNECTOR (MATING SIDE)



DASH HARNESS CONNECTOR (MATING SIDE)

WIRING INSULATED CLIPS
 NOTE: IF WIRING INSULATED CLIPS WERE REMOVED FOR SERVICING OF UNIT, THEY SHOULD BE RE-INSTALLED TO PROPERLY SECURE YOUR WIRING.

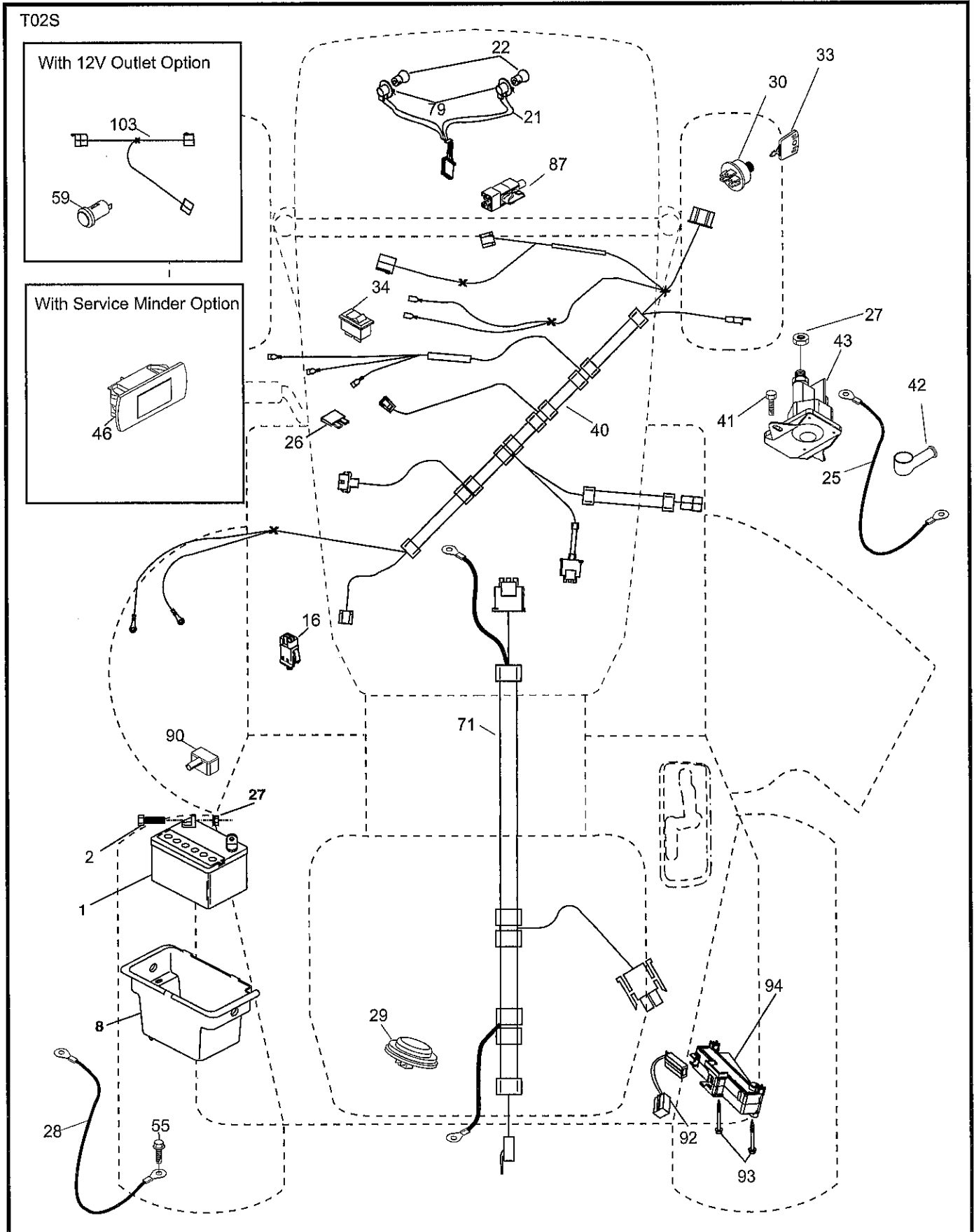
NON-REMOVABLE CONNECTIONS

REMOVABLE CONNECTIONS

REPAIR PARTS

TRACTOR- -MODEL NO. 917.253655

ELECTRICAL



REPAIR PARTS

TRACTOR- -MODEL NO. 917.253655

ELECTRICAL

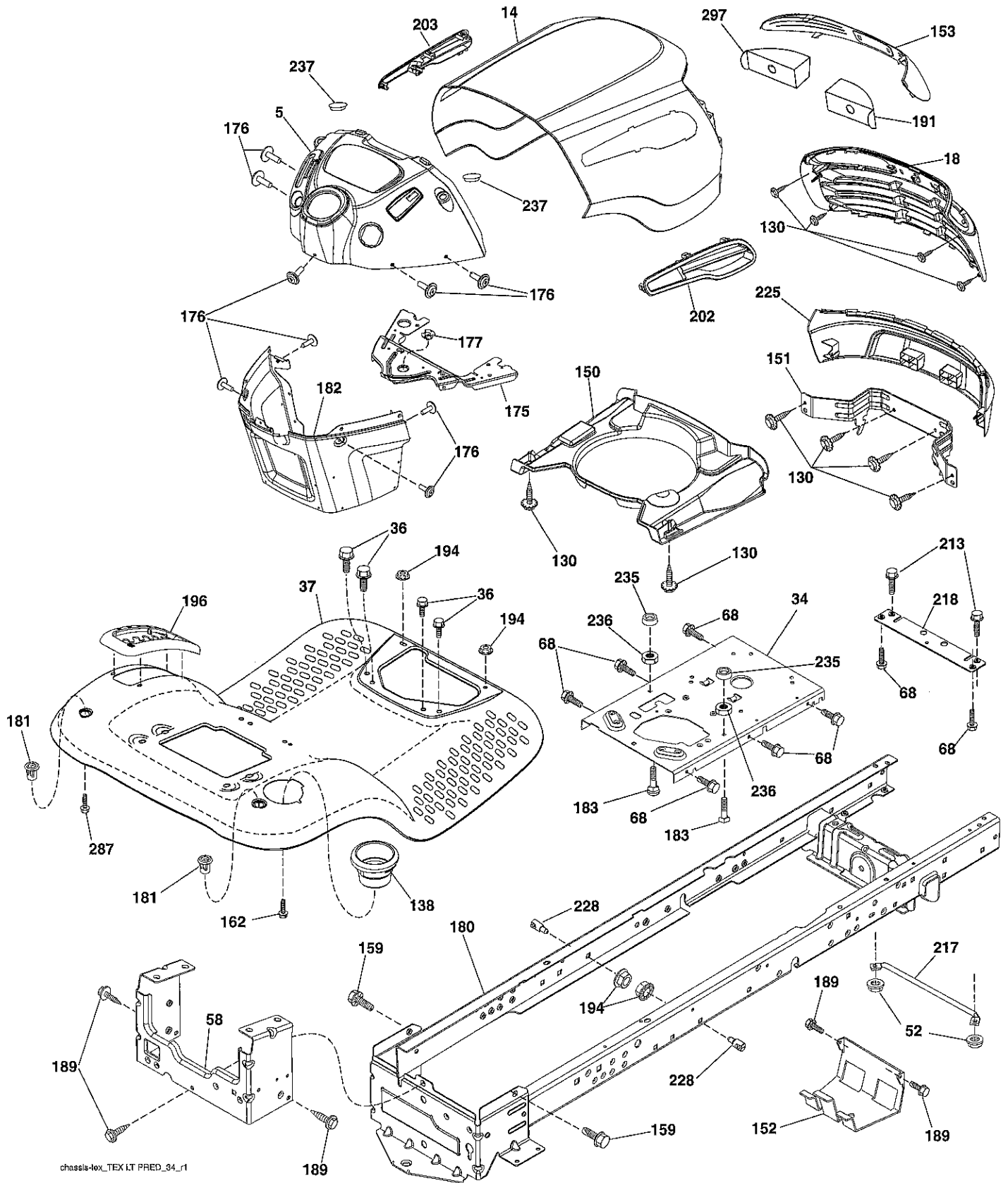
KEY NO.	PART NO.	DESCRIPTION
1	163465	Battery
2	74760412	Bolt Hex Hd 1/4-20 unc x 3/4
8	193228	Box Battery
16	176138	Switch Interlock Push-In
21	400252	Harness Socket Light w/4152J
22	4152J	Bulb Light
25	412894	Cable Starter
26	175158	Fuse
27	73510400	Nut Keps Hex 1/4-20 unc
28	198885	Cable, Ground
29	401545	Switch, Seat
30	193350	Switch, Ign
33	411934	Key/Chain
34	110712X	Switch Light / Reset
40	401098	Harness Ign. Dash
41	17720408	Screw Thd Cut 1/4-20 x 1/2
42	131563	Cover, Terminal
43	192507	Solenoid
55	17060512	Screw Thdrol 5/16-18 x 3/4 TYTT
71	441544	Harness Ign. Chassis
79	175242	Bulbholder Asm. Incan Descent
87	197802	Switch Interlock Clutch Cable
90	435395	Cover Terminal Battery
92	196615	Harness Pigtail Reverse Switch
93	192540	Screw Plastite 10 - 14 x 2 00
94	191834	Module Reverse Ros

NOTE: All component dimensions given in U.S. inches.
1 inch = 25.4 mm.

REPAIR PARTS

TRACTOR- -MODEL NO. 917.253655

CHASSIS AND ENCLOSURES



chassis-tox_TEX LT PRED_34_r1

REPAIR PARTS

TRACTOR- -MODEL NO. 917.253655

CHASSIS AND ENCLOSURES

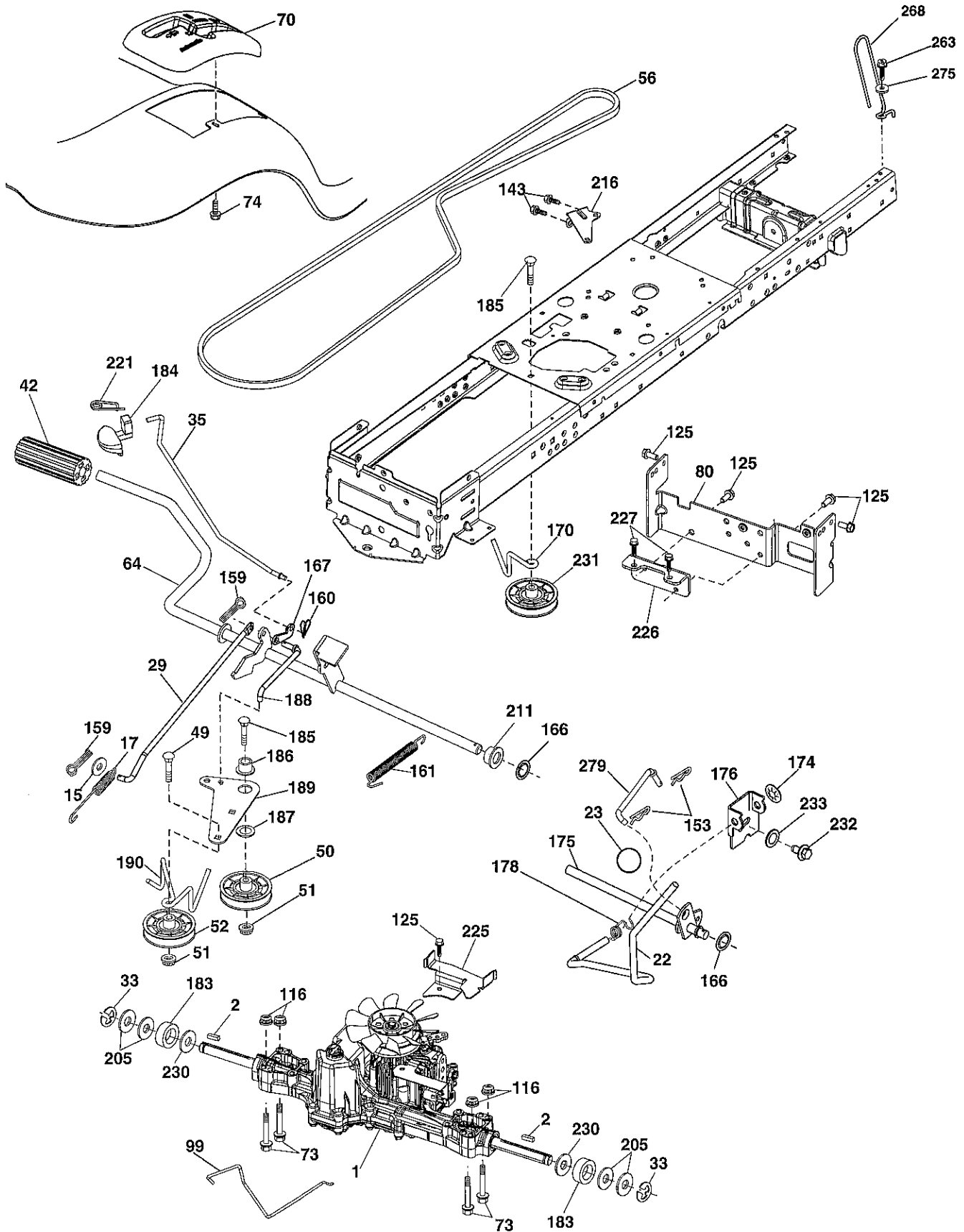
KEY NO.	PART NO.	DESCRIPTION
5	408874X428	Dash
14	198416X613	Hood
18	423156	Grille
34	196125	Plate Engine
36	17060512	Screw 5/16-18 x 3/4
37	414872X613	Fender
52	73680500	Nut Crown Lock 5/16-18
58	412280	Drawbar Upper
68	17490508	Screw Thdrol 5/16-18 x 1/2
130	416358	Screw #10 x 0.750
138	193224X428	Cupholder
150	400267	Duct Heat Hood
151	187568	Bracket Pivot
152	199535	Shield Browning/Debris
153	400550X599	Lens
159	17000612	Screw Hexwsh Thdrol 3/8-16 x 3/4
162	142432	Screw Hex Wsh Hi-Lo 1/4 x 1/2
175	199472	Crossmember
176	400776	Screw 10-24 x 5/8 Wshd Qdrr
177	195228	Bushing Steering
180	415063	Chassis
181	193102X428	Bushing Mtg. Fender Crgo.
182	407176	Dash Lower
183	74520520	Bolt Full Thd 5/16-18 x 1-1/4
189	17000512	Screw 5/16-18 x 3/4
191	416502	Insert Reflective RH
194	73900500	Nut Lock Hex Flange 5/16-18
196	414579	Console Asm. Deck Lift
202	423173	Vent Hood Side Panel RH
203	423172	Vent Hood Side Panel LH
213	74760512	Bolt Hex Hd 5/16-18 unc x 3/4
217	409167	Rod Pivot Hood
218	196395	X-Piece Hood Stop
225	400549X613	Bumper
228	195161	Stud Fastener
235	406129	Spacer Fender
236	73930500	Nut Center Lock 5/16-18
237	403704	Plug Mount Cargo
287	17600406	Screw 1/4-20 x 3/8
297	401827	Insert Reflective LH

NOTE: All component dimensions given in U.S. inches.
1 inch = 25.4 mm.

REPAIR PARTS

TRACTOR- -MODEL NO. 917.253655

DRIVE



drive-tex_K46_fender_17_r4

REPAIR PARTS

TRACTOR- -MODEL NO. 917.253655

DRIVE

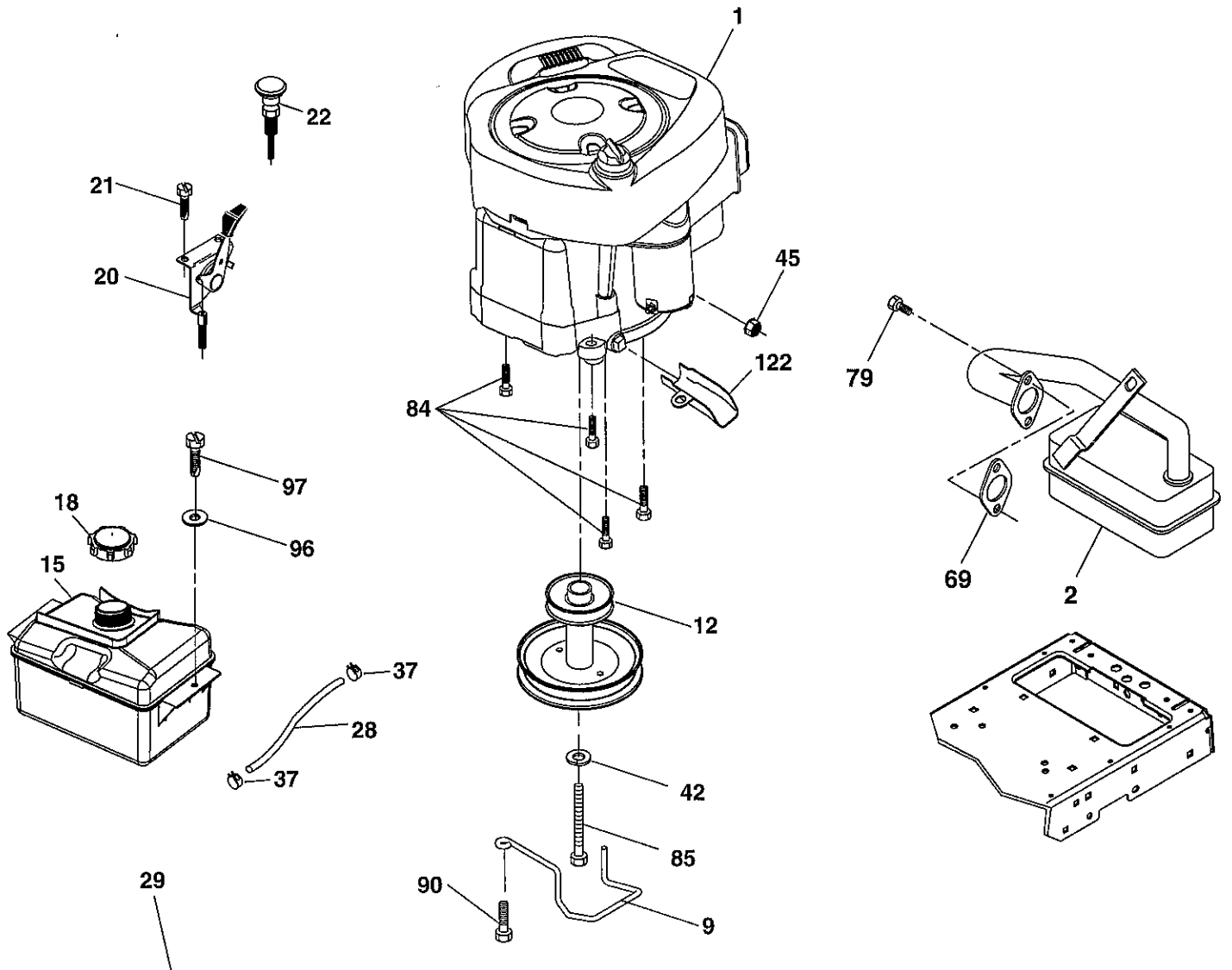
KEY NO.	PART NO.	DESCRIPTION	KEY NO.	PART NO.	DESCRIPTION
1	---	Transaxle Tufftorq K46BA (408214) (See Transaxle Breakdown)	174	197289	Nut Push
2	123583X	Key Square	175	408539	Shaft Asm Shift
15	19131316	Washer 13/32 x 13/16 x 16 Ga.	176	196214	Arm Clevis Rod Shift
17	413678	Spring, Brake	178	197456	Spring Shift
22	197660	Rod Shift	183	137057	Spacer Axle
23	106933X	Knob	184	199996X667	Handle Parking Brake
29	403806	Rod, Brake	185	72110622	Bolt
33	12000001	Ring E	186	194321	Spacer Retainer
35	401031	Rod, Brake, Park Control	187	19133210	Washer
42	8883R	Cover, Foot Pedal	188	194323	Link Clutch Ground Drive
49	72110614	Bolt	189	194317	Bellcrank Ground Drive
50	194327	Pulley Idler Flat	190	194318	Keeper Bellcrank Ground Drive
51	73900600	Lock Nut 3/8-16	205	121748X	Washer 25/32 x 1-5/8 x 16 Ga.
52	194326	Idler V-Groove 910" Offset	211	196212	Bushing
56	130969	V-Belt, Drive	216	196131	Bracket Pulley Idler
64	196200	Shaft Asm. Pedal Brake Control	221	403187	Retainer Spring Clip Handle
70	193220X428	Console	225	403319	Keeper Belt Transaxle
73	74490540	Bolt Hex 5/16-18 Gr. 5	226	401564	Bracket Mount Torque
74	142432	Screw 1/4 x 1/2	227	17490512	Screw Thdrol 5/16-18 x 3/4
80	440619	Strap Torque	230	188967	Washer Harden .793 x 1.637
99	415742	Rod Spring Bypass	231	407287	Idler V-Groove 1.688" Offset
116	73900500	Nut Lock Hex Flange 5/16-18	232	74780716	Bolt 7/16-14 x 1 Gr. 5
125	17000512	Screw 5/16-18 x 3/4	233	405296	Washer Serrated
143	17490508	Screw Thdrol 5/16-18 x 1/2	263	17000612	Screw Hexwsh Thdr 3/8-16 x 3/4
153	4497H	Retainer Spring 1"	268	182402	Guard Muffler
159	76020412	Pin Cotter 1/8 x 3/4	275	19131614	Washer 13/32 x 1 x 14 Ga.
160	169484	Retainer Clip	279	413150	Link Shift
161	105709X	Spring, Return, Clutch			
166	429164	Nut Push .625			
167	405257	Latch Brake Parking			
170	413430	Keeper V-Idler			

NOTE: All component dimensions given in U.S. inches
1 inch = 25.4 mm

REPAIR PARTS

TRACTOR- -MODEL NO. 917.253655

ENGINE



OPTIONAL EQUIPMENT
Spark Arrester

engine-tex_BS_35

REPAIR PARTS

TRACTOR- -MODEL NO. 917.253655

ENGINE

KEY NO.	PART NO.	DESCRIPTION
1	— — — —	Engine B&S Model No. 31C707-1429-B1 (433045) (See Engine Breakdown)
2	137352	Muffler
9	194320	Keeper Belt Engine
12	405471	Pulley Engine
15	407545	Tank Fuel 1.50
18	430220	Cap Asm
20	176636X428	Control Throttle
21	416358	Screw #10 x 0.750
22	187771X428	Control Choke
28	137040	Fuel Line
29	137180	Spark Arrester Kit
37	123487X	Clamp Hose
42	10040700	Washer Lock 7/16
45	73510400	Nut Keps Hex 1/4-20 unc
69	165291	Gasket
79	192334	Screw Socket Hd 5/16-18 x .75
84	17060620	Screw 3/8-16 x 1-1/4
85	173937	Bolt Hex 7/16-20 x 4 x Gr. 5-1.5
90	17000616	Screw 3/8-16 x 1.0
96	19091416	Washer 9/32 x 7/8 x 16 Ga.
97	17670412	Screw 1/4-20 x 3/4
122	421922	Extension Drain Oil

NOTE: All component dimensions given in U.S. inches
1 inch = 25.4 mm

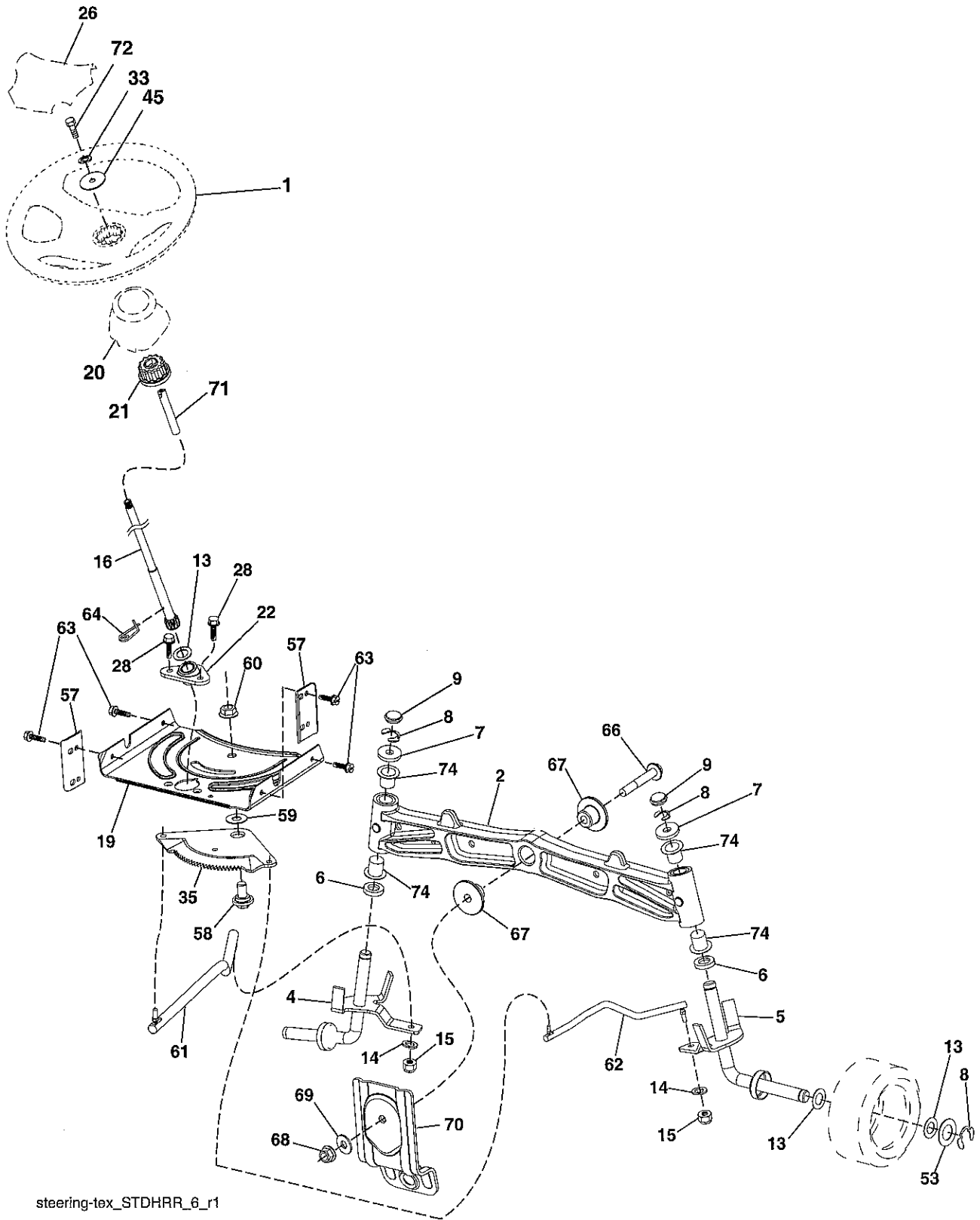
Engine Power Rating Information

The gross power rating for individual gas engine models is labeled in accordance with SAE (Society of Automotive Engineers) code J1940 (Small Engine Power & Torque Rating Procedure), and rating performance has been obtained and corrected in accordance with SAE J1995 (Revision 2002-05). Torque values are derived at 3060 RPM; horsepower values are derived at 3600 RPM. Actual gross engine power will be lower and is affected by, among other things, ambient operating conditions and engine-to-engine variability. Given both the wide array of products on which engines are placed and the variety of environmental issues applicable to operating the equipment, the gas engine will not develop the rated gross power when used in a given piece of power equipment (actual "on-site" or net power). This difference is due to a variety of factors including, but not limited to, accessories (air cleaner, exhaust, charging, cooling, carburetor, fuel pump, etc.), application limitations, ambient operating conditions (temperature, humidity, altitude), and engine-to-engine variability. Due to manufacturing and capacity limitations, Briggs & Stratton may substitute an engine of higher rated power for this Series engine.

REPAIR PARTS

TRACTOR- -MODEL NO. 917.253655

STEERING ASSEMBLY



steering-tex_STDHRR_6_r1

REPAIR PARTS

TRACTOR- -MODEL NO. 917.253655

STEERING ASSEMBLY

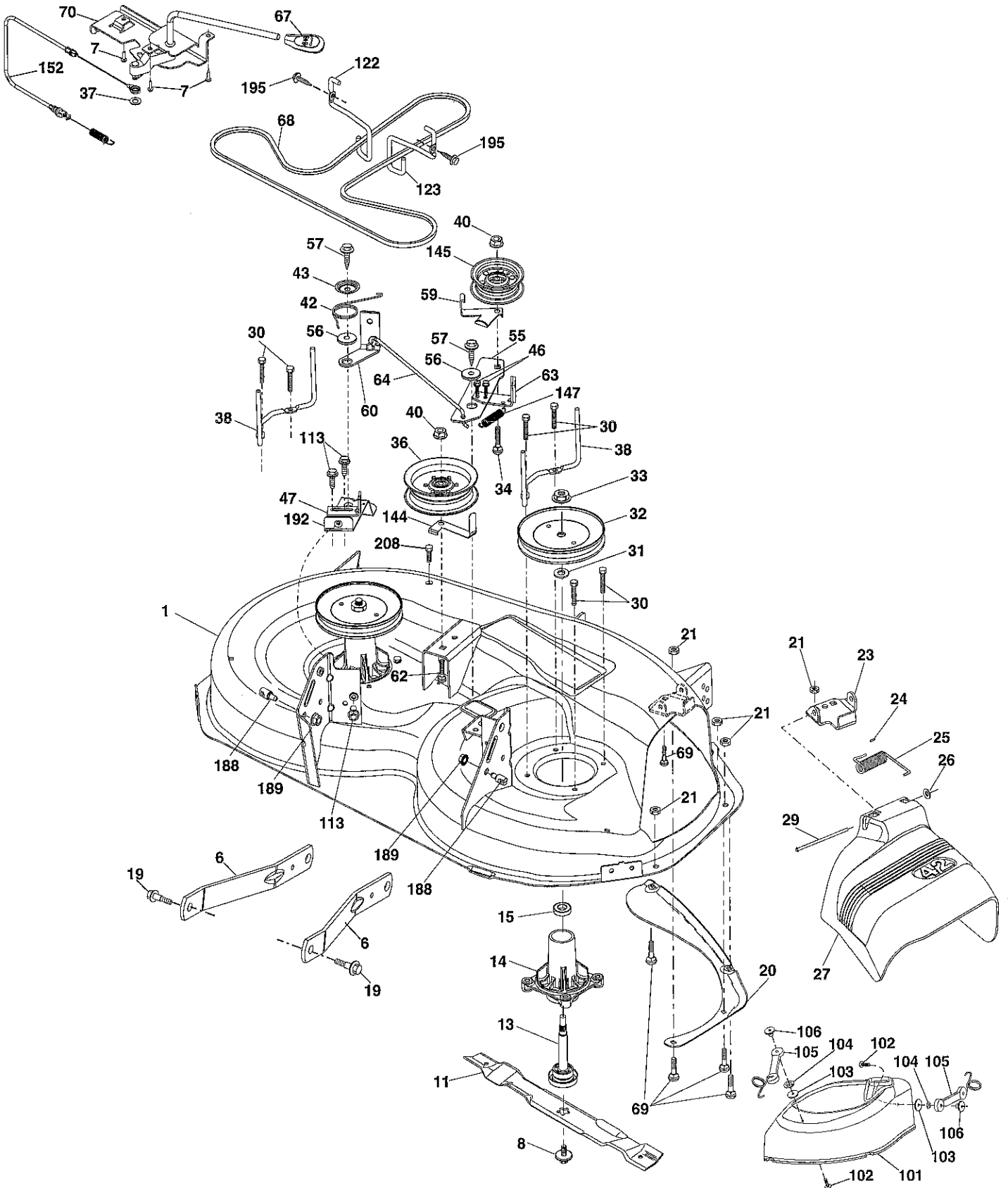
KEY NO.	PART NO.	DESCRIPTION
1	414803X428	Wheel, Steering
2	418168	Axle Asm., Front
4	403087	Spindle Asm., LH
5	403088	Spindle Asm., RH
6	6266H	Washer Thrust
7	121748X	Washer 25/32 x 1-5/8 x 16 Ga.
8	12000029	Ring, Klip #T5304-75
9	121232X	Cap, Spindle
13	121749X	Washer 25/32 x 1-1/4 x 16 Ga.
14	10040600	Washer, Lock Hvy Hlcl Spr 3/8
15	73540600	Nut, Crown Lock 3/8-24 unf
16	429373	Shaft Steering
19	194729	Plate Steering
20	400803X428	Boot, Steering
21	186737	Adapter, Wheel Steering
22	420537	Steering Supt. Lower
26	414852X428	Insert, Wheel Steering
28	17000612	Screw 3/8-16 x 3/4
33	10040500	Washer Lock Hvy HLCL Spr 5/16
35	194732	Gear, Sector Plate
45	19113812	Washer 11/32 ID x 2 3/8
53	188967	Washer Hardened .793 x 1.637 x .060
57	407465	Bracket Upstop
58	194747	Bolt Shoulder Sector Pivot CFM
59	194748	Washer Thrust Sector Steering
60	73971000	Nut Flange Lock 5/8-11
61	194740	Draglink LH
62	194741	Draglink, RH
63	17000512	Screw 5/16-18 x 3/4
64	199849	Retainer Clip Spring Steering
66	71020748	Bolt Hex Fghd 7/16-14 x 3 Serr
67	194737	Bushing PM Front Axle
68	73900700	Nut Lock Flange 7/16-14 Gr. 5
69	199162	Washer 1.5 x .505 x .118
70	196197	Bracket Deck Susp. Front
71	190752	Shaft Exten. Strg. Spline Tex
72	428982	Bolt Fin Hex 5/16-18 x 4
74	3366R	Bearing Col Strg Blk

NOTE: All component dimensions given in U.S. inches.
1 inch = 25.4 mm.

REPAIR PARTS

TRACTOR- -MODEL NO. 917.253655

MOWER



REPAIR PARTS

TRACTOR- -MODEL NO. 917.253655

MOWER

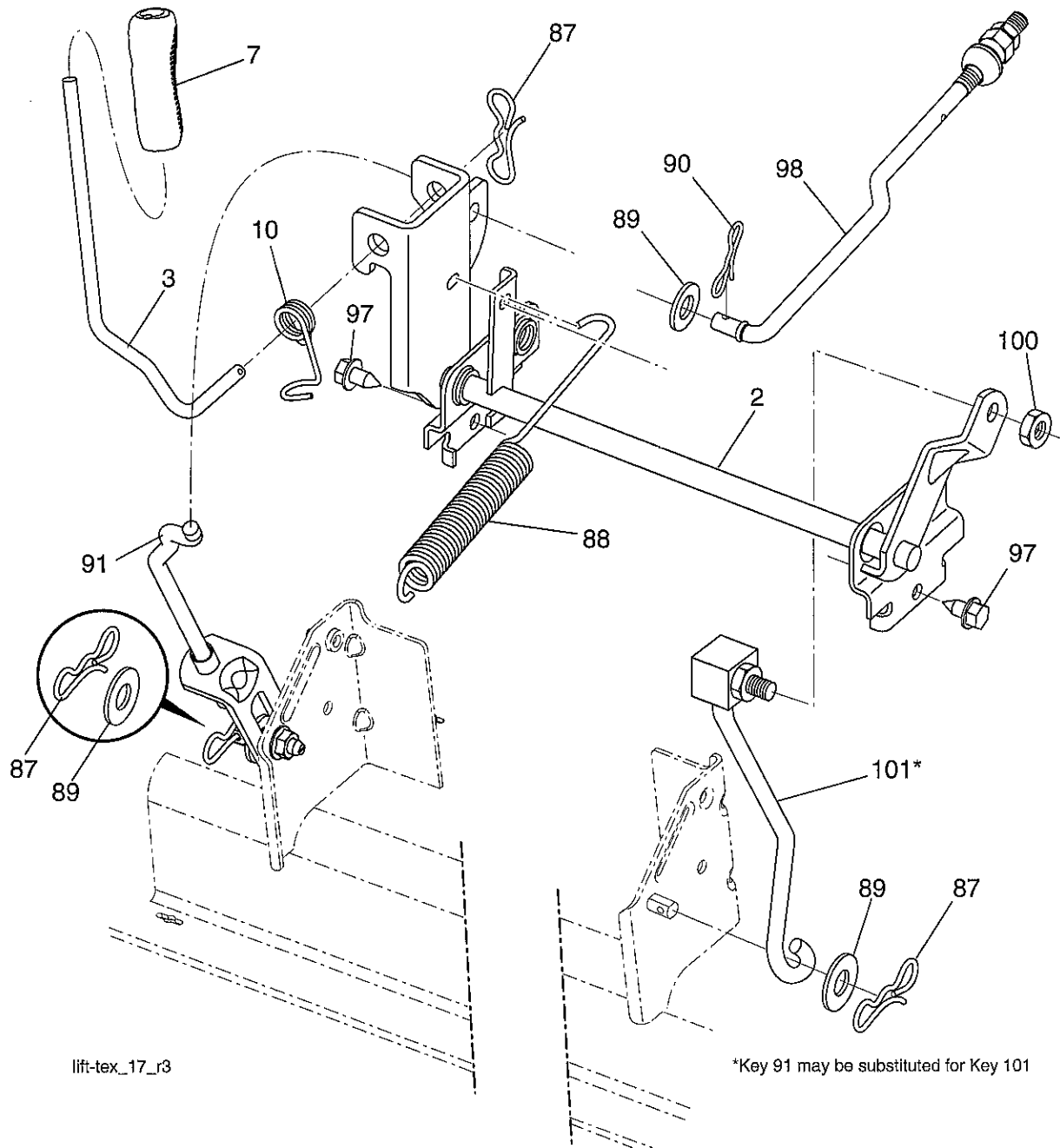
KEY NO.	PART NO.	DESCRIPTION	KEY NO.	PART NO.	DESCRIPTION
1	199911	Mower Housing	62	72110616	Bolt Rdhd Sqnk 3/8-16 unc x 2
6	195186	Arm Suspension	63	199477	Arm Brake Mower
7	416358	Screw 10 x .750 BOS Thread	64	199790	Linkage Brake
8	193003	Bolt/Washer Asm 7/16-20 unf	67	198398X428	Handle, Clutch Cable
11	424752	Blade, 3N1	68	429636	V-Belt
13	192872	Shaft Assembly, Mandrel	69	72140505	Bolt Rdhd Sqnk 5/16-18 x 5/8
14	187281	Housing, Mandrel	70	401246	Clutch Asm. Manual
15	110485X	Bearing, Ball, Mandrel	101	193107	Cover Mulching
19	196539	Bolt, Shoulder	102	71081010	Screw Pan Hd. Phillip 10-24 x 5/8
20	159770	Baffle Vortex	103	19061216	Washer #10
21	73680500	Nut, Crownlock 5/16-18 unc	104	10071000	Washer Lock #10
23	192557	Bracket, Deflector	105	160793	Latch Asm.
24	105304X	Cap, Sleeve	106	2029J	Nut Weld 327/304 #10-24
25	197026	Spring, Torsion, Deflector	113	17000510	Screw 5/16-18
26	110452X	Nut, Push	122	197258	Keeper Belt Eng. LH
27	424469	Shield, Deflector	123	197259	Keeper Belt Eng. RH
29	131491	Rod, Hinge	144	199204	Keeper Belt
30	173984	Screw Thdrol Rolling Wsh Hd	145	193197	Pulley, Idler, Flat
31	187690	Washer, Spacer	147	401971	Spring Return
32	197473	Pulley, Mandrel	152	435111	Cable Clutch Manual w/Spr.
33	400234	Nut, Toplock, Flanged	188	195161	Stud Fastener
34	72110612	Bolt Carr Sh. 3/8-16 x 1-1/2 Gr. 5	189	73900500	Nut Lock Hex Flange
36	197379	Pulley Idler	192	197260	Bracket Brake Stand LH
37	19131316	Washer 13/32 x 13/16 x 16 Ga.	195	17000612	Screw Hexwsh Thdr 3/8-16 x 3/4
38	432520	Keeper Belt LH Mandrel	208	17670608	Screw 3/8-16 x 1/2
40	73900600	Nut, Lock Flg. 3/8-16 unc	--	426340	Replacement Mower, Complete
42	198410	Spring Torsion Brake	--	192870	Mandrel Assembly (Mandrel As-
43	197256	Spring Torsion Retainer			sembly (Includes housing, shaft
46	137729	Screw Thd Roll 1/4-20 x 5/8			assembly, and bearing only - pulley/
47	197250	Bracket Clutch Cable			nut/washer and blade bolt/washers
55	437110	Arm, Idler			not included)
56	199092	Spacer, Retainer			
57	17000616	Screw Hexwsh Thd 3/8-16 x 1			
59	141043	Guard, Tuv Idler (94)			
60	197261	Arm Brake Mower			

NOTE: All component dimensions given in U.S. inches
1 inch = 25.4 mm

REPAIR PARTS

TRACTOR- -MODEL NO. 917.253655

MOWER LIFT



lift-tex_17_r3

*Key 91 may be substituted for Key 101

REPAIR PARTS

TRACTOR- -MODEL NO. 917.253655

MOWER LIFT

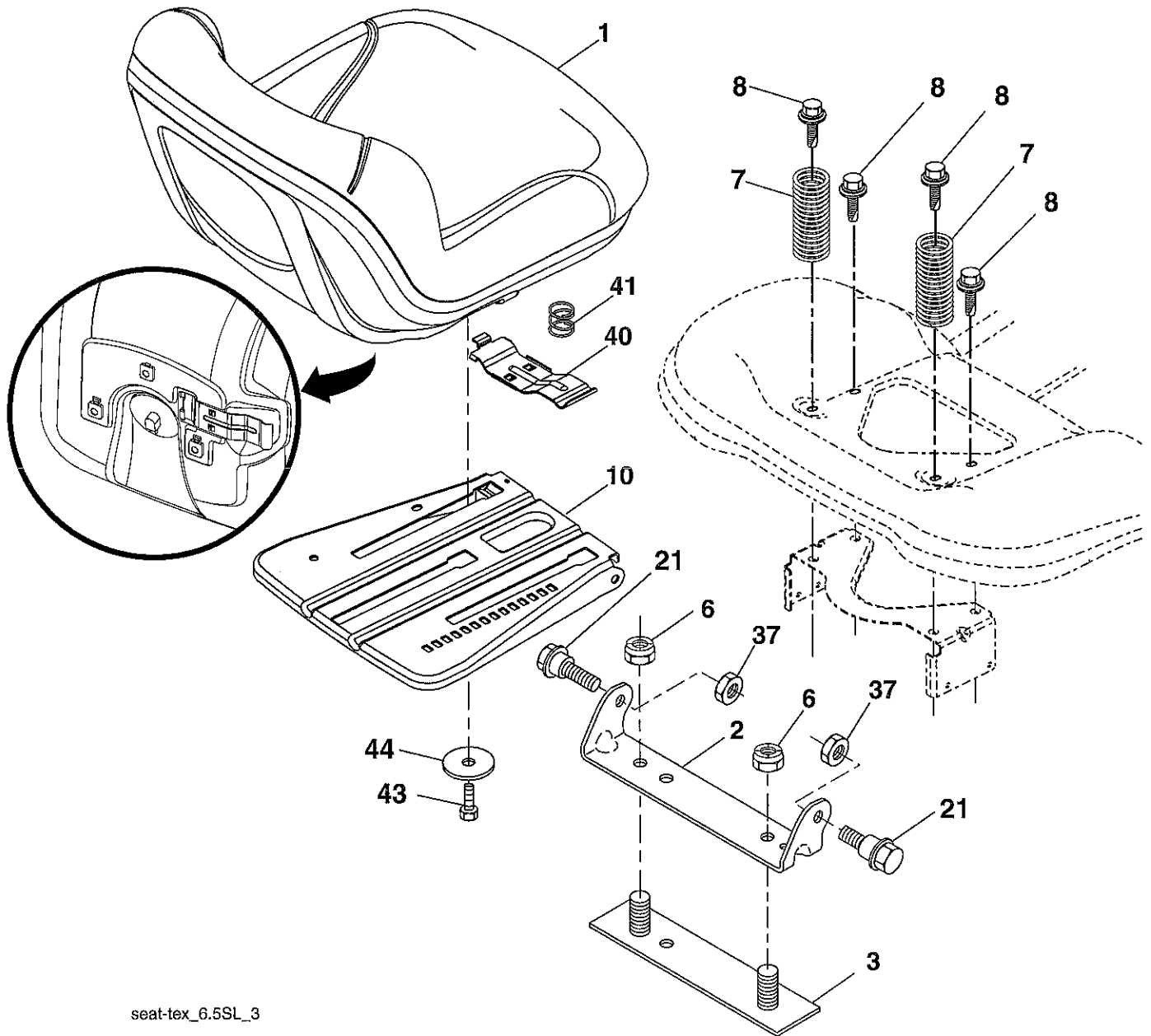
KEY NO.	PART NO.	DESCRIPTION
2	422027	Shaft Asm., Lift
3	195231	Lever Asm., Lift RH
7	196492X428	Grip, Lever
10	196314	Spring Torsion
87	194209	Pin Cotter 7/16 Bow Tie Lock
88	410710	Spring Lift Assist
89	19191912	Washer Clear Zinc
90	194208	Pin Cotter 5/16 Bow Tie Lock
91	195181	Link Lift Susp Mower Rear
97	17000612	Screw 3/8-16 x .75
98	195270	Link Lift Susp. Front Mower
100	73930600	Nut Centerlock 3/8-16 unc
101	407003	Link Asm. Lift FXD

NOTE: All component dimensions given in U.S. inches
1 inch = 25.4 mm

REPAIR PARTS

TRACTOR- -MODEL NO. 917.253655

SEAT ASSEMBLY



seat-tex_6.5SL_3

KEY NO.	PART NO.	DESCRIPTION
1	423644	Seat
2	180166	Bracket Pivot Fender
3	140675	Strap, Asm Fender
6	73800600	Nut, Lock w/Ins. 3/8-16 unc
7	124181X	Spring, Seat Cprsn
8	171877	Bolt 5/16-18 unc x 3/4 w/Sems
10	196977	Pan, Seat
21	171852	Bolt, Shoulder 5/16-18

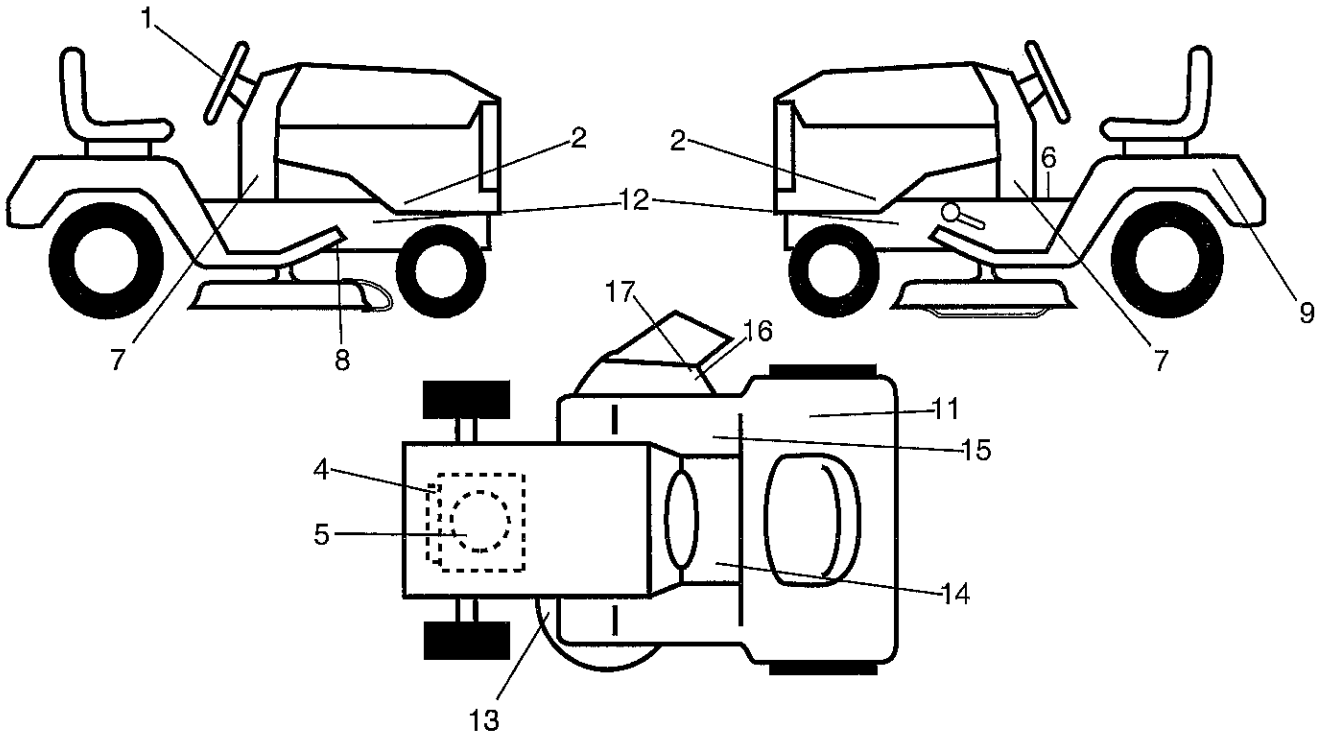
KEY NO.	PART NO.	DESCRIPTION
37	73800500	Nut, Lock 5/16-18 unc
40	197661	Handle Slide
41	198200	Spring Latch
43	74760612	Bolt 3/8-16 unc x 3/4
44	19133812	Washer 13/32 x 2 3/8 x 12 Ga.

NOTE: All component dimensions given in U.S. inches.
1 inch = 25.4 mm

REPAIR PARTS

TRACTOR- -MODEL NO. 917.253655

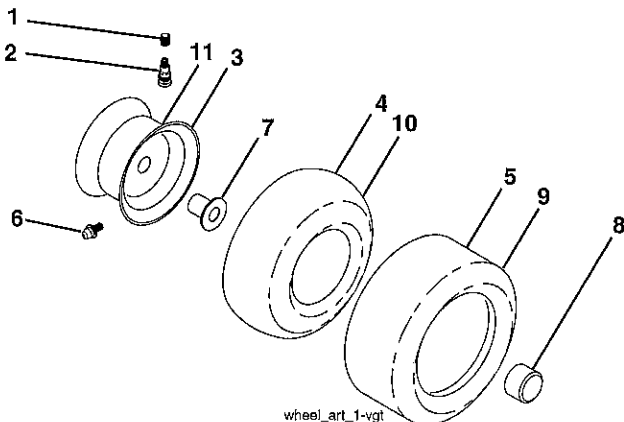
DECALS



KEY NO.	PART NO.	DESCRIPTION
1	422885	Decal, Steering
2	433082	Decal, Panel SD
4	196841	Decal, Warning Engine Sym.
5	442934	Decal, Engine HP
6	400389	Decal, Fender Operator's
7	425634	Decal, Lower Dash
8	421534	Decal, V-Belt Schematic Drive
9	145005	Decal, Battery Dnge/Poi
11	180432	Decal, Fender 100 DB/CE
12	159736	Decal, Chassis Hot Muffler
13	160396	Decal, Mower V-Belt SCH.
14	159737	Decal, Brake/Clutch Sym.

KEY NO.	PART NO.	DESCRIPTION
15	140837	Decal, Saddle Brake Parking
16	196357	Decal, Deflector Wrn. Cutfin. Sym.
17	182166	Decal, Cutfinger CE
--	193226X428	Pad, Footrest LH
--	193227X428	Pad, Footrest RH
--	166960	Decal, Bypass
--	162598	Decal, Drawbar Load Limit
--	435185	Manual, Operator's (Euro)
--	435186	Manual, Operator's (Scand)
--	435187	Manual, Operator's (E-Bloc)
--	435188	Manual, Operator's (Baltic)
--	444114	Manual, Parts

WHEELS & TIRES



KEY NO.	PART NO.	DESCRIPTION
1	59192	Cap, Valve, Tire
2	65139	Stem, Valve
3	106732X613	Rim Assembly, Front
4	59904	Tube, Front
5	106222X	Tire, Front
6	278H	Fitting, Grease
7	9040H	Bearing, Flange
8	104757X428	Cap, Axle (Front Wheel Only)
9	420531	Tire, 18 x 9.5-8 TurfSaver LT
10	7152J	Tube, Rear
11	106108X613	Rim Assembly, Rear
--	144334	Sealant, Tire (10 oz. Tube)

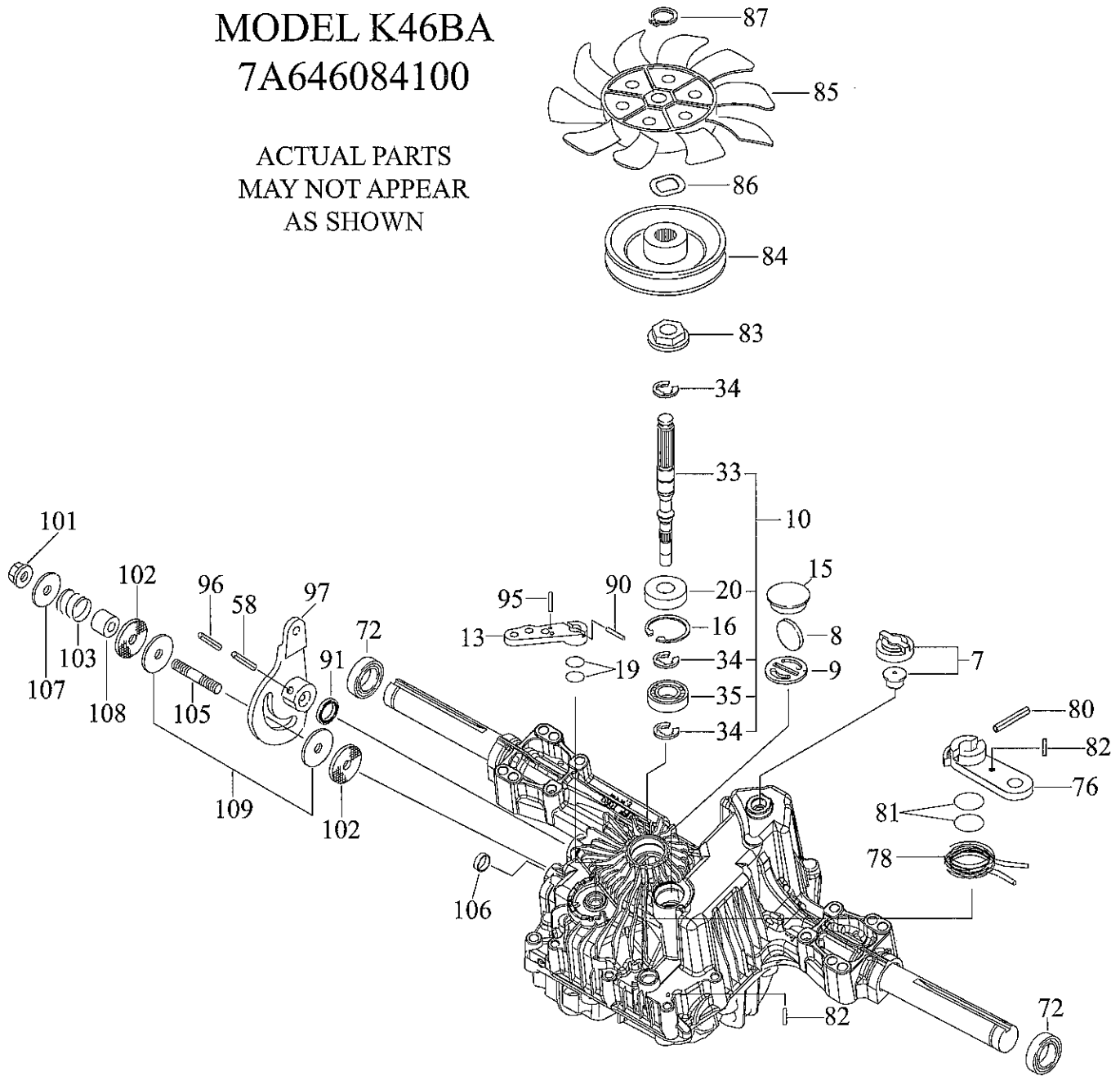
NOTE: All component dimensions given in U.S. inches
1 inch = 25.4 mm

TRACTOR - - MODEL NUMBER 917.253655

TUFFTORQ TRANSAXLE - MODEL NUMBER K46BA

MODEL K46BA
7A646084100

ACTUAL PARTS
MAY NOT APPEAR
AS SHOWN



TRACTOR - - MODEL NUMBER 917.253655**TUFFTORQ TRANSAXLE - MODEL NUMBER K46BA**

KEY NO.	PART NO.	DESCRIPTION
7	414395	VENT VALVE 15
8	414396	MAGNET
9	414397	MAGNET HOLDER
10	415923	PUMP SHAFT/BEARING KIT
13	414398	BYPASS LEVER
15	414399	SEALING CAP 30
16	414400	SNAP RING C 35
19	414401	O-RING 1A P10A
20	414402	SEAL TC 153507
33	414403	PUMP SHAFT (STANDARD
34	414404	E-RING 15
35	414405	BEARING 6202C3
58	414406	ROLL PIN 6 * 40
72	414407	SEAL 19 * 32 * 8
76	414408	BRAKE LEVER
78	414409	BRAKE RETURN SPRING
80	414410	SPRING PIN 5 * 32
81	414411	O-RING 1A P12
82	414412	SPRING PIN 4 * 16
83	414413	SPINE COLLAR
84	414414	PULLEY L
85	414415	FAN, BLACK
86	414416	WAVE WASHER
87	414417	SNAP RING
90	414418	SPRING PIN 3.0A * 20
91	414419	OIL SEAL 16 * 22 * 03
95	415850	SPRING PIN 3.0A * 16
96	414420	ROLL PIN 3.5 * 40
97	414421	CONTROL LEVER
101	414216	LOCK NUT 10
102	414423	WASHER 10 * 40 * 4
103	414424	SPRING
105	414425	STUD 10 * 60
106	414426	SEALING CAP 18
107	414427	WASHER 10 * 36 * 2.8
108	414428	COLLAR 10 * 20 * 17
109	414429	FRICITION PLATE KIT

NOTE: All component dimensions given in U.S. inches
1 inch = 25.4 mm

REPAIR PARTS

TRACTOR- -MODEL NO. 917.253655

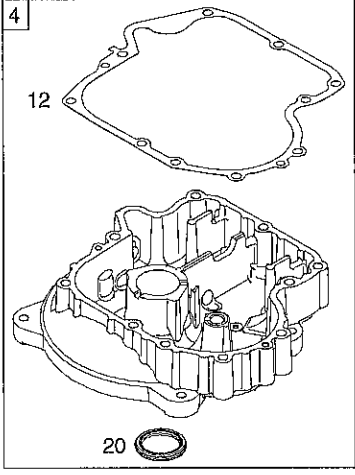
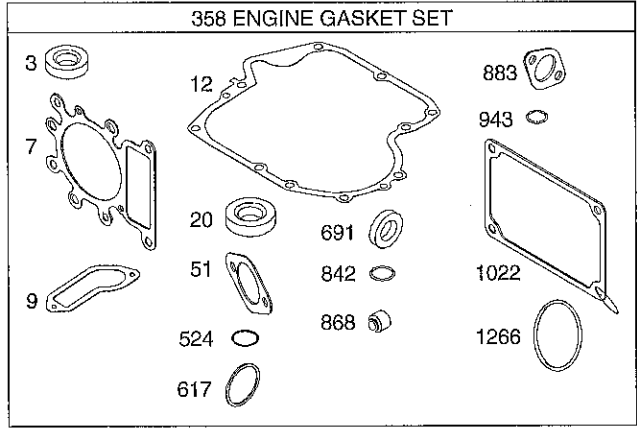
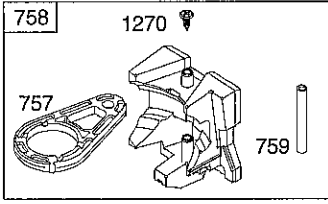
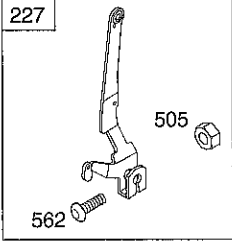
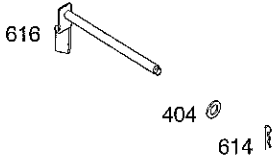
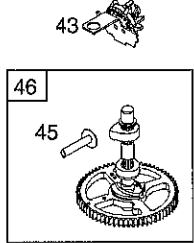
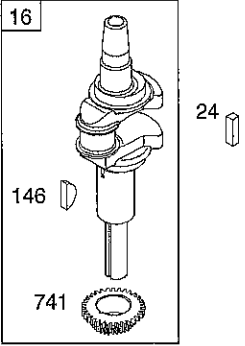
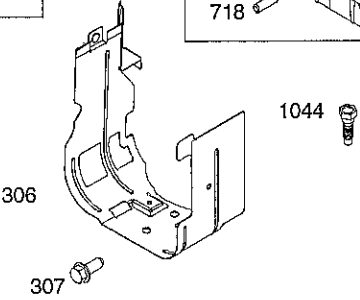
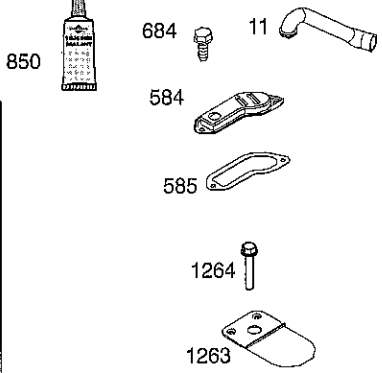
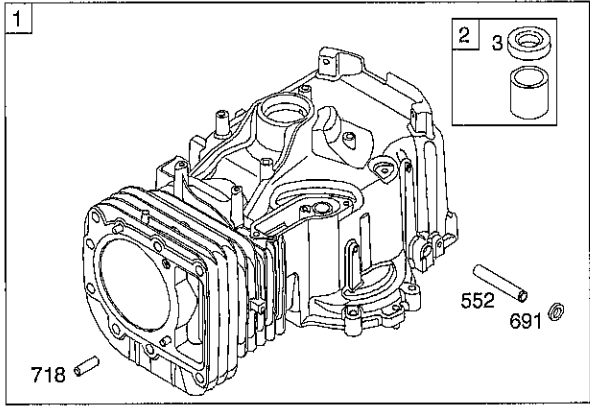
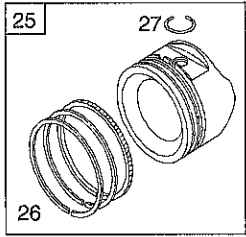
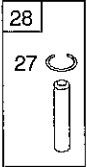
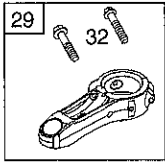
BRIGGS & STRATTON ENGINE - - MODEL NUMBER 31C707, TYPE NUMBER 1429-B1

48 SHORT BLOCK

1036 EMISSIONS LABEL

1058 OPERATOR'S MANUAL

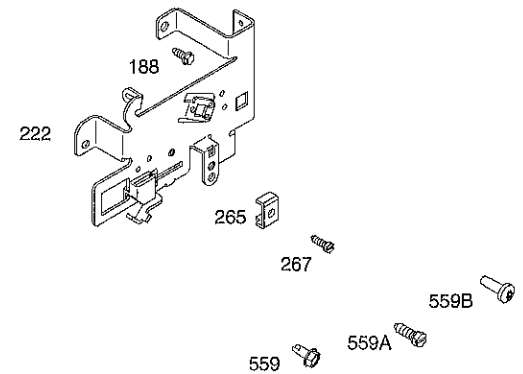
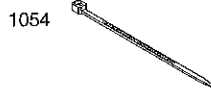
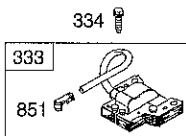
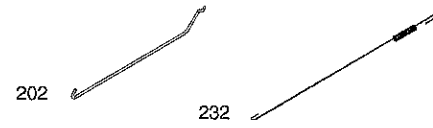
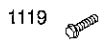
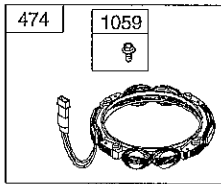
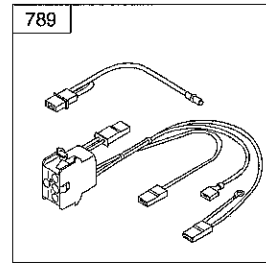
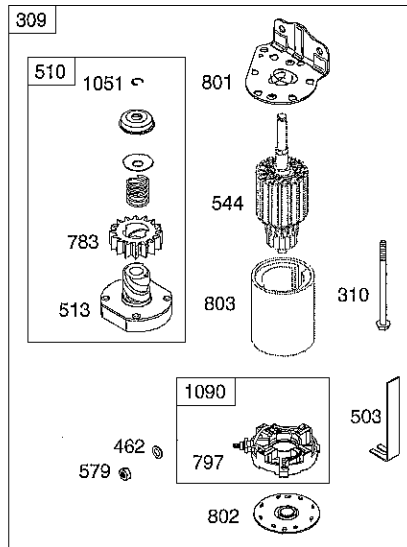
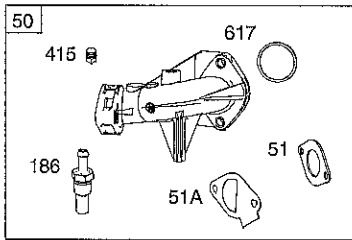
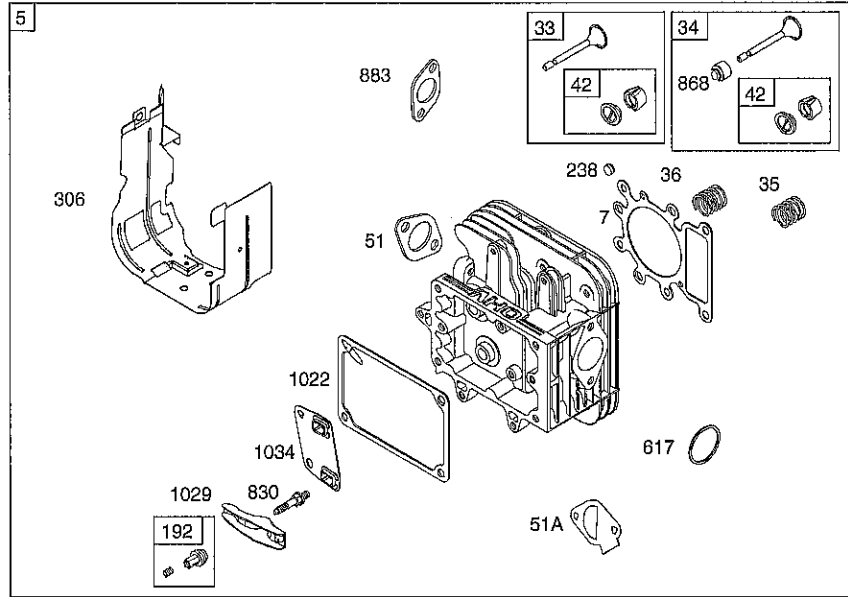
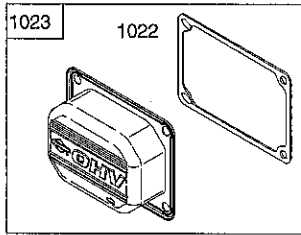
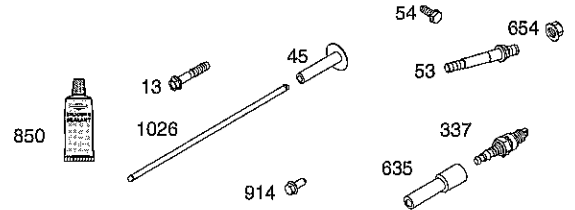
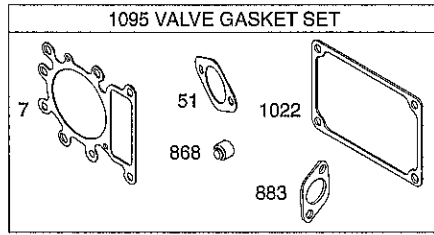
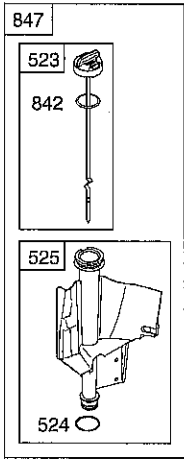
1329 REPLACEMENT ENGINE



REPAIR PARTS

TRACTOR- -MODEL NO. 917.253655

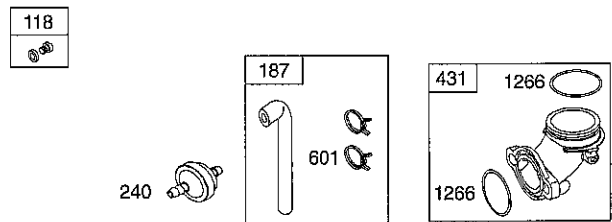
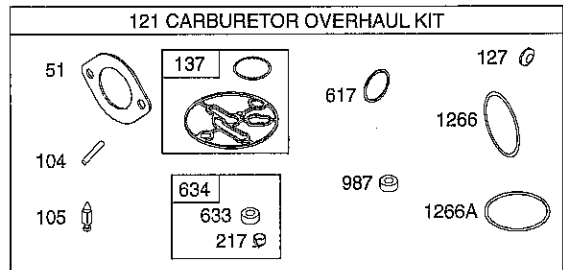
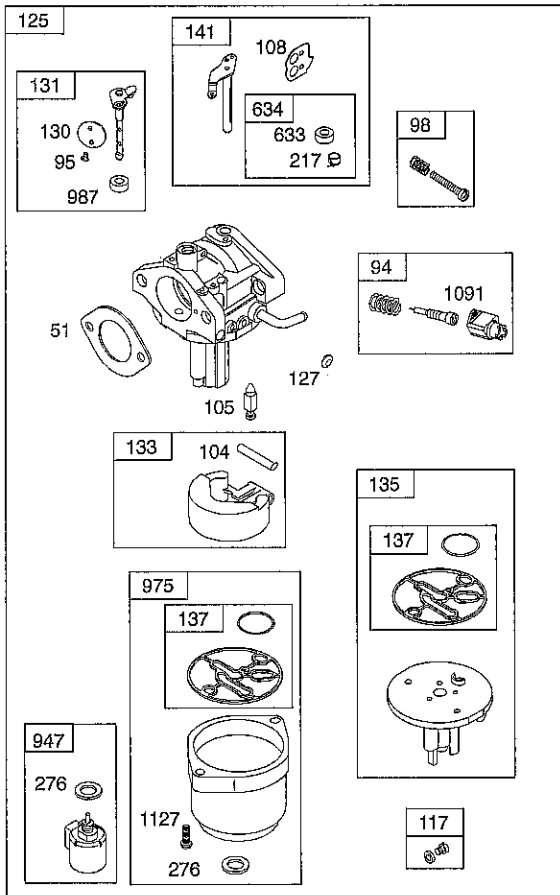
BRIGGS & STRATTON ENGINE - - MODEL NUMBER 31C707, TYPE NUMBER 1429-B1



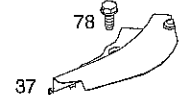
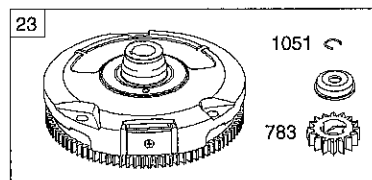
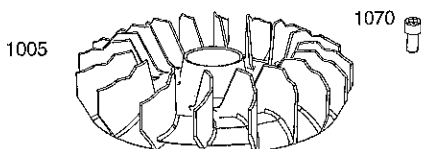
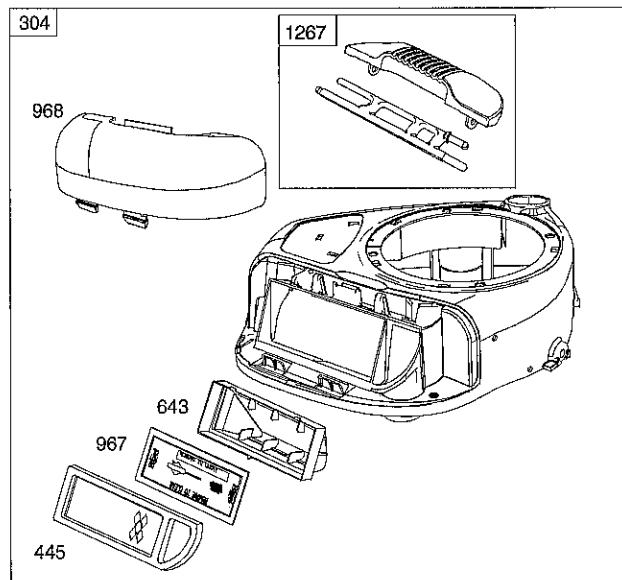
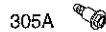
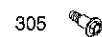
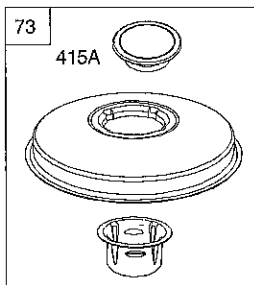
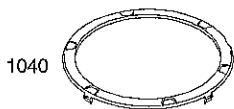
REPAIR PARTS

TRACTOR- -MODEL NO. 917.253655

BRIGGS & STRATTON ENGINE - - MODEL NUMBER 31C707, TYPE NUMBER 1429-B1



1036 EMISSIONS LABEL



REPAIR PARTS

TRACTOR- -MODEL NO. 917.253655

BRIGGS & STRATTON ENGINE - - MODEL NUMBER 31C707, TYPE NUMBER 1429-B1

KEY NO.	PART NO.	DESCRIPTION	KEY NO.	PART NO.	DESCRIPTION
1	796010	Cylinder Assembly	125	796109	Carburetor
2	399265	Bushing/Seal Kit (Magneto Side)	127	690727	+ Plug-Welch
3	391086s	• Seal-Oil (Magneto Side)	130	699500	Valve-Throttle
4	697106	Sump-Engine	131	699501	Kit-Throttle Shaft
5	796025	Head-Cylinder	133	694914	Float-Carburetor
7	796584	•Ø Gasket-Cylinder Head	135	698780	Tube-Fuel Transfer
11	794683	Tube-Breather	137	698781	+ Gasket-Float Bowl
12	697110	• Gasket-Crankcase	141	792777	Kit-Choke Shaft
13	793988	Screw (Cylinder Head)	146	691639	Key-Timing
15	690946	Plug-Oil Drain	186	794873	Connector-Hose (Intake Manifold)
16	797579	Crankshaft	187	791805	Line-Fuel (Formed)(Cut to Required Length)
20	795387	• Seal-Oil (PTO Side)			
22	692125	Screw (Crankcase Cover/Sump)	188	691693	Screw (Control Bracket)
23	698281	Flywheel	192	691986	Adjuster-Rocker Arm
24	222698s	Key-Flywheel	202	691841	Link-Mechanical Governor
25	796172	Piston Assembly (Standard)	209	692208	Spring-Governor (Green)
	796173	Piston Assembly (.020" Oversize)	217	695409	Spring-Choke Return
26	791936	Ring Set (Standard)	222	694042	Bracket-Control
	792649	Ring Set (.020" Oversize)	227	691374	Lever-Governor Control
27	698469	Lock-Piston Pin	232	691842	Spring-Governor Link
28	796007	Pin-Piston	238	691843	Cap-Valve
29	794122	Rod-Connecting	240	394358s	Filter-Fuel
32	791118	Screw (Connecting Rod)	265	691024	Clamp-Casing
33	792868	Valve-Exhaust	267	794904	Screw (Casing Clamp)
34	791935	Valve-Intake	276	695410	Washer-Sealing
35	691279	Spring-Valve (Intake)	304	796416	Blower Housing
36	691279	Spring-Valve (Exhaust)	305	697102	Screw (Blower Housing)(Long)
37	697352	Guard-Flywheel	305A	793376	Screw (Blower Housing)(Short)
42	499586	Keeper-Valve	306	796006	Shield-Cylinder
43	691968	Slinger-Governor/Oil	307	691003	Screw (Cylinder Shield)
45	690564	Tappet-Valve	309	693551	Motor-Starter
46	793880	Gear-Cam	310	690323	Screw (Starter Motor)
48		Short Block	324	796308	Screen/Cup Assembly
50	796180	Manifold-Intake	333	795315	Armature-Magneto
51	692137	•Ø+ Gasket-Intake	334	691061	Screw (Magneto Armature)
51A	796081	Gasket-Intake	337	691043	Plug-Spark
53	690227	Stud (Carburetor)	358	796187	Gasket Set-Engine
54	691148	Screw (Intake Manifold)	404	691691	Washer (Governor Crank)
78	691003	Screw (Flywheel Guard)	415	690283	Plug (Intake Manifold)
94	793610	Kit-Idle Mixture	415A	794129	Plug (Cover/Retainer)
95	690718	Screw (Throttle Valve)	431	697122	Elbow-Intake
98	695408	Kit-Idle Speed	445	797008	Filter-Air Cleaner Cartridge
104	694918+	Pin-Float Hinge	462	691261	Washer (Starter Cable)
105	696136+	Valve-Float Needle	474	696459	Alternator
108	695419	Valve-Choke	503	691532	Strap-Starter
117	843099	Jet-Main (Standard)	505	691251	Nut (Governor Control Lever)
118	790890	Jet-Main (High Altitude)	510	693699	Drive-Starter
121	796184	Kit-Carburetor Overhaul	513	692024	Clutch-Drive

REPAIR PARTS

TRACTOR- -MODEL NO. 917.253655

BRIGGS & STRATTON ENGINE - - MODEL NUMBER 31C707, TYPE NUMBER 1429-B1

KEY NO.	PART NO.	DESCRIPTION	KEY NO.	PART NO.	DESCRIPTION
523	699908	Dipstick	883	692236	• Gasket-Exhaust
524	691032	• Seal-Dipstick Tube	914	697551	Screw (Rocker Cover)
525	697184	Tube-Dipstick	947	699915	Solenoid-Fuel
544	693551	Armature-Starter (Order Starter Motor, Reference 309, for replacement)	967	697015	Filter-Pre Cleaner
552	697144	Bushing-Governor Crank	968	698403	Cover-Air Cleaner
562	691119	Screw (Governor Control Lever)	975	699502	Bowl-Fuel
579	691029	Nut (Starter Cable)	987	698777	+ Seal-Throttle Shaft
584	794682	Cover-Breather Passage (Use with Liquid Sealant, Reference 850)	1005	796083	Fan-Flywheel
585	697109	• Gasket-Breather Passage	1022	272475s	Ø• Gasket-Rocker Cover
601	791850	Hose-Clamp (Green)	1023	797421	Cover-Rocker
614	691620	Pin-Cotter	1026	692003	Rod-Push (Intake)
616	692012	Crank-Governor		692011	Rod-Push (Exhaust)
617	692138	•+ Seal-O Ring (Intake Manifold)(Red)	1029	691751	Arm-Rocker
633	699813	Seal-Choke/Throttle Shaft (Choke Shaft)	1034	690822	Guide-Push Rod
634	698779	+ Spring/Seal Assembly(Choke Shaft)	1036		Label-Emissions (Available from a Briggs & Stratton Authorized Dealer)
635	691909	Boot-Spark Plug	1040	698368	Plate-Trim
643	698401	Retainer-Air Filter	1044	698139	Screw (Flywheel)
654	690958	Nut (Carburetor)	1051	691265	Ring-Retaining
684	697157	Screw (Breather Assembly)	1054	280275	Tie-Cable
691	692407	• Seal-Governor Shaft	1059	698516	Kit-Screw/Washer
718	690959	Pin-Locating	1070	690363	Screw (Flywheel Fan)
724	697478	Link-Starter Switch	1090	691293	Retainer-Brush
729	691224	Clip-Wire	1091	691333	Cap-Limiter
741	697128	Gear-Timing	1095	794152	Gasket Set-Valve
757	793242	Link-Counterweight	1119	691183	Screw (Alternator)
758	793763	Counterweight	1127	695407	Screw (Float Bowl)
759	697392	Pin-Counterweight	1263	697124	Reed-Breather
783	693713	Gear-Pinion	1264	697104	Screw (Breather Reed)
789	698329	Harness-Wiring	1266	691917	•+ Seal-O Ring (Intake Elbow) (Red)
797	693167	Nut (Brush Retainer)	1266A	697123	+ Seal-O Ring (Intake Elbow)
801	691283	Cap-Drive	1267	697419	Latch-Blower Housing
802	691286	Cap-End	1270	793243	Plug-AVS Counterweight
803	693551	Housing-Starter (Order Starter Motor, Reference 309, for replacement)	1329		Replacement Engine
830	691095	Stud-Rocker Arm	1330	272147	Repair Manual
842	691031	• Seal-O Ring (Dipstick Tube)			• Engine Gasket Set Key No. 358
847	790442	Dipstick/Tube Assembly			Ø Valve Gasket Set Key No. 1095
850	100106	Sealant-Liquid (Liquid Sealant is interchangeable with Breather Passage Gasket and/or Rocker Cover Gasket)			+ Carburetor Overhaul Kit Key No. 121
851	692424	Terminal-Spark Plug			
868	690968	Ø• Seal-Valve			

NOTE: All component dimensions given in U.S. inches 1 inch = 25.4 mm

LIMITED WARRANTY ON CRAFTSMAN RIDING EQUIPMENT

For two (2) years from the date of purchase, if this Craftsman Riding Equipment is maintained, lubricated and tuned up according to the instructions in the owner's manual, Sears will repair or replace free of charge any parts that are found to be defective in material or workmanship according to the guidelines of coverage listed below. Sears will also provide free labor for these applicable warranted parts for the two full years. During the first 30 days of purchase, there will be no charges to service the product at your home for issues covered by this warranty. (See exclusions below). For your convenience, IN HOME warranty service will still be available after the first 30 days of purchase, but a trip charge will apply. This charge will be waived if the Craftsman product is dropped off at an authorized Sears location. For the nearest authorized Sears location, please call 1-800-4-MY-HOME®. This warranty applies only while this product is within the United States.

This Warranty does not cover:

- Expendable items which become worn during normal use, including but not limited to blades, spark plugs, air cleaners, belts, and oil filters.
- Standard Maintenance Servicing, oil changes, or tune-ups
- Tire replacement or repair caused by punctures from outside objects, such as nails, thorns, stumps, or glass.
- Repairs necessary because of operator abuse, including but not limited to, damage caused by towing objects beyond the capability of the riding equipment, impacting objects that bend the frame or crankshaft, or over-speeding the engine.
- Repairs necessary because of operator negligence, including but not limited to, electrical and mechanical damage caused by improper storage, failure to use the proper grade and amount of engine oil, failure to keep the deck clear of flammable debris, or failure to maintain the equipment according to the instructions contained in the owner's manual.
- Engine (fuel system) cleaning or repairs caused by fuel determined to be contaminated or oxidized (stale). In general, fuel should be used within 30 days of its purchase date.
- Normal deterioration and wear of the exterior finishes, or product label replacement.
- Riding equipment used for commercial or rental purposes.

LIMITED WARRANTY ON BATTERY

For ninety (90) days from date of purchase, if any battery included with this riding equipment proves defective in material or workmanship and our testing determines the battery will not hold a charge, Sears will replace the battery at no charge. During the first 30 days of purchase, there will be no charges to replace the battery at your HOME. After the first 30 days, for your convenience, IN-HOME warranty service will still be available but a trip charge will apply. This charge will be waived if the Craftsman product is dropped off at an authorized Sears location. For the nearest authorized Sears location, please call 1-800-4-MY-HOME®.

This battery warranty applies only while this product is within the United States.

This warranty gives you specific legal rights, and you may also have other rights, which vary, from state to state.

Sears Brands Management Corporation, Dept.817WA, Hoffman Estates, IL 60179

