

REPAIR PARTS MANUAL
MODEL NO. 253701
Lawn Tractor



HOW TO USE THIS MANUAL

This manual is designed to provide the customer with a means to identify the parts on his/her tractor when ordering repair parts. The illustrations may or may not represent the actual assemblies; therefore, it is not recommended to use this manual as a guide to assemble or disassemble the tractor. Some hardware and parts are drawn larger in order to more readily identify them.

Each tractor has its own model number.

The model number for your tractor can be found on the fender under the seat.

When ordering parts, always give the following information:

- Product - "Tractor"
- Model Number - "253701"
- Part Number
- Part Description

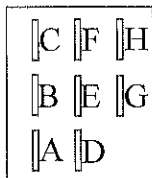
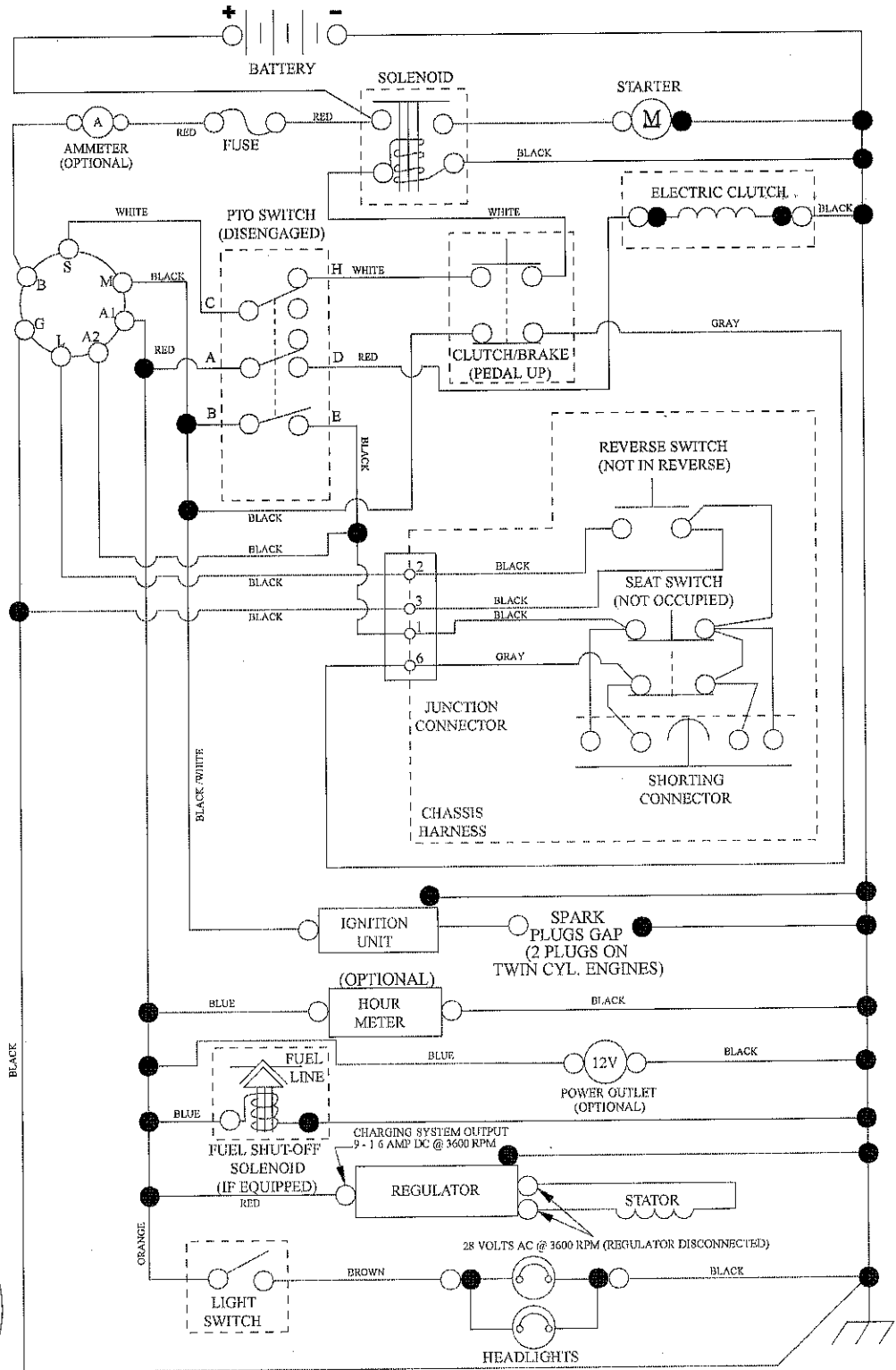
TABLE OF CONTENTS

SCHEMATIC	3
ELECTRICAL.....	4-5
CHASSIS	6-7
DRIVE.....	8-9
ENGINE.....	10-11
STEERING	12
SEAT	13
MOWER DECK	14-15
DECALS.....	16
MOWER LIFT	17
TRANSAXLE BREAKDOWN	18-19
ENGINE BREAKDOWN.....	20-23
WARRANTY.....	BACK COVER

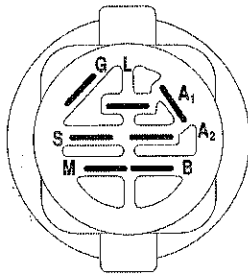
TRACTOR- -MODEL NO. 917.253701

SCHEMATIC

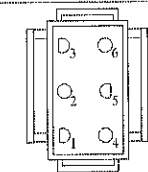
SCH12



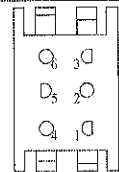
PTO SWITCH (MATING SIDE)



POSITION	CIRCUIT "MAKE"
OFF	M+G+A1
RUN/OVERRIDE	B+A1
RUN	B+A1 L+A2
START	B+S+A1



CHASSIS HARNESS CONNECTOR (MATING SIDE)



DASH HARNESS CONNECTOR

WIRING INSULATED CLIPS
NOTE: IF WIRING INSULATED CLIPS WERE REMOVED FOR SERVICING OF UNIT, THEY SHOULD BE RE-INSTALLED TO PROPERLY SECURE YOUR WIRING.

●
NON-REMOVABLE CONNECTIONS

○
REMOVABLE CONNECTIONS

TRACTOR- -MODEL NO. 917.253701

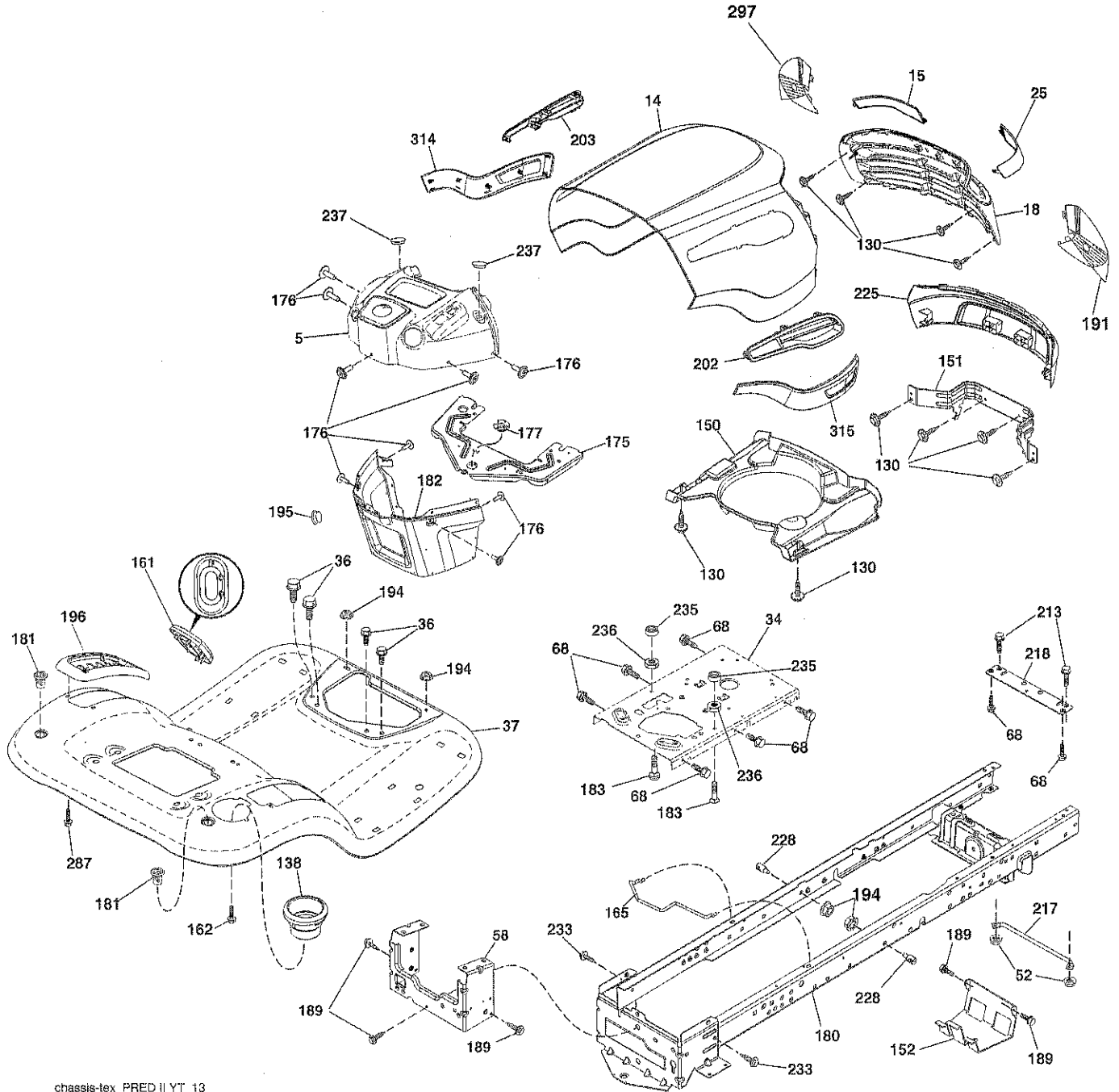
ELECTRICAL

KEY NO.	PART NO.	DESCRIPTION
1	163465	Battery
2	74760412	Bolt Hex Hd. 1/4-20 unc x 3/4
8	186491	Box Battery
16	176138	Switch Interlock Push-In
21	400252	Harness Socket Light w/4152J
22	4152J	Bulb Light
24	400253	Cable Battery
25	412895	Cable Starter
26	175158	Fuse
27	73510400	Nut Keps Hex 1/4-20 unc
28	145491	Cable, Ground
29	401545	Switch, Seat
30	193350	Switch, Ign.
33	411934	Key/Chain
34	110712X	Switch Light/Reset
40	401104	Harness Ign. Dash
41	17720408	Screw Thd. Cut 1/4-20 x 1/2
42	131563	Cover, Terminal
43	192507	Solenoid
46	401763	Gauge Hourmeter
50	174652	Switch PTO
55	17060512	Screw Thdrol. 5/16-18 x 3/4 TYTT
71	194276	Harness Ign.
79	175242	Socket Asm. Bulb Twistlock
90	400724	Cover Terminal Battery
91	190270	Strap Battery Mount Front
99	17670412	Screw Hexwsh. Thdrol. 1/4-20 x 3/4
100	19091416	Washer 9/32 x 7/8 x 16 Ga.
102	404454	Harness Pigtail
105	407568	Switch Reverse TT Pedal Control

NOTE: All component dimensions given in U.S. inches.
1 inch = 25.4 mm.

TRACTOR- -MODEL NO. 917.253701

CHASSIS AND ENCLOSURES



chassis-tex_PRED II YT_13

TRACTOR- -MODEL NO. 917.253701

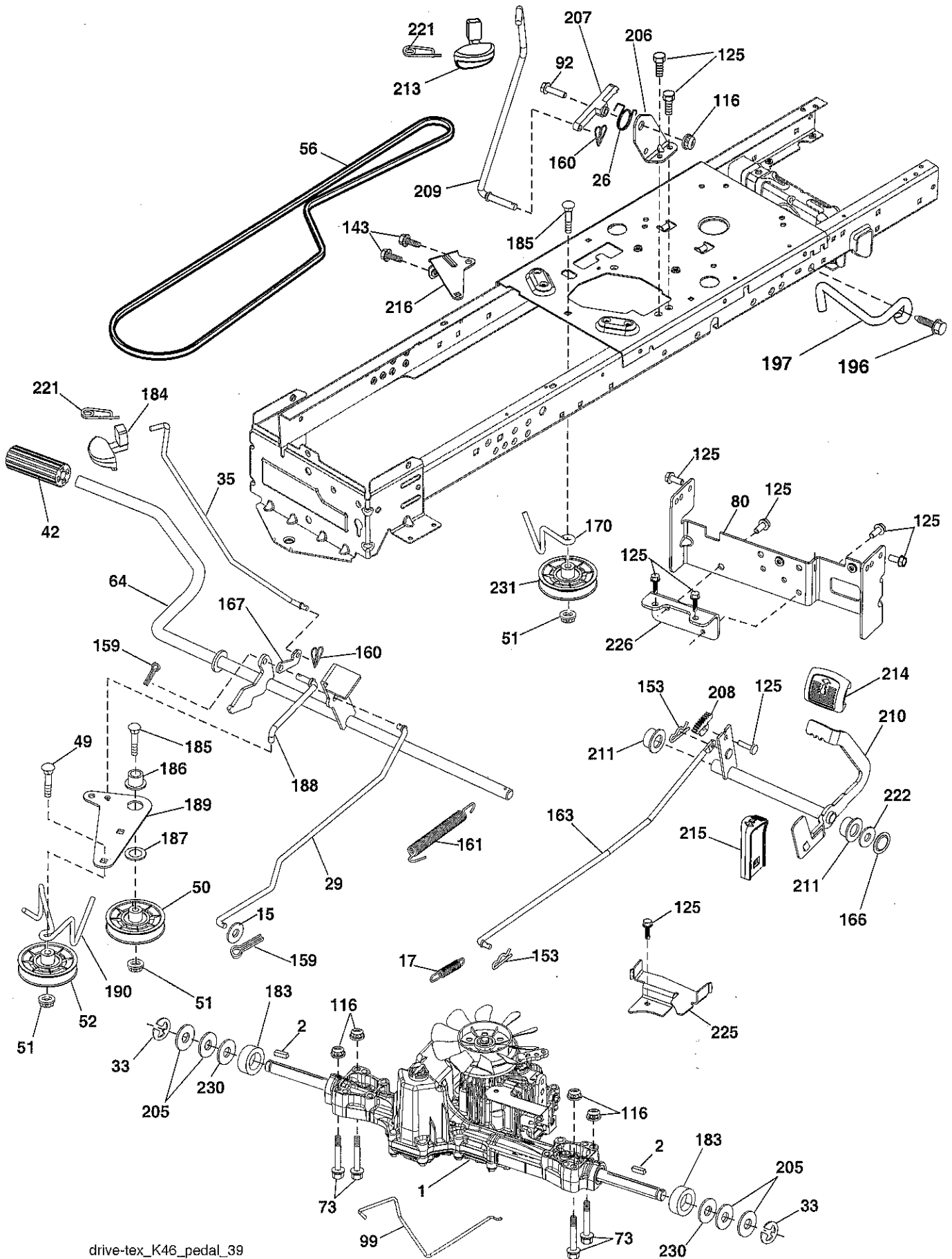
CHASSIS AND ENCLOSURES

KEY NO.	PART NO.	DESCRIPTION
5	421811X428	Dash
14	421154X615	Hood
15	421493X599	Lens LH
18	423157	Grille
25	421494X599	Lens RH
34	196125	Plate engine
36	17060512	Screw 5/16-18 x 3/4
37	414878X615	Fender
52	73680500	Nut Crown lock 5/16-18
58	412280	Drawbar Upper
68	17490508	Screw Thdrol 5/16-18 x 1/2
130	416358	Screw # 10 x .750 BOS Thread
138	193224X428	Cupholder
150	199411	Duct Heat Hood
151	196332	Bracket Pivot
152	199535	Shield Browning/Debris
161	193229X428	Window Fuel
162	142432	Screw Hex Wsh Hi-Lo 1/4 x 1/2
165	196826	Support Tank Rear
175	196304	Crossmember
176	400776	Screw 10-24 x 5/8 Wshd Qdrx
177	195227	Bushing Steering
180	415063	Chassis
181	193102X428	Bushing Mtg. Fender Crgo.
182	406859	Dash Lower
183	74520520	Bolt 5/16-18 x 1-1/4
189	17000512	Screw 5/16 - 18 x 3/4
191	425407	Insert Reflective RH
194	73900500	Nut Lock Hex Flange 5/16-18
195	401556X428	Plug Hole Dash 12V Adapter
196	414579	Console Asm. Deck Lift
202	423175	Vent Side Hood RH
203	423174	Vent Side Hood LH
213	74760512	Bolt hex HD 5/16-18 unc x 3/4
217	409167	Rod Pivot Chassis
218	196395	X-Piece Hood Stop
225	421255X615	Bumper
228	195161	Stud Fastener
233	196539	Bolt Shoulder
235	406129	Spacer Fender
236	73930500	Nut Center Lock 5/16-18
237	403704	Plug Mount Cargo
287	17600406	Screw Hex Washhead 1/4-20 x 3/8
297	425406	Insert Reflective LH
314	423147	Trim Side LH
315	423148	Trim Side RH

NOTE: All component dimensions given in U.S. inches.
1 inch = 25.4 mm.

TRACTOR- -MODEL NO. 917.253701

DRIVE



drive-tex_K46_pedal_39

TRACTOR- -MODEL NO. 917.253701

DRIVE

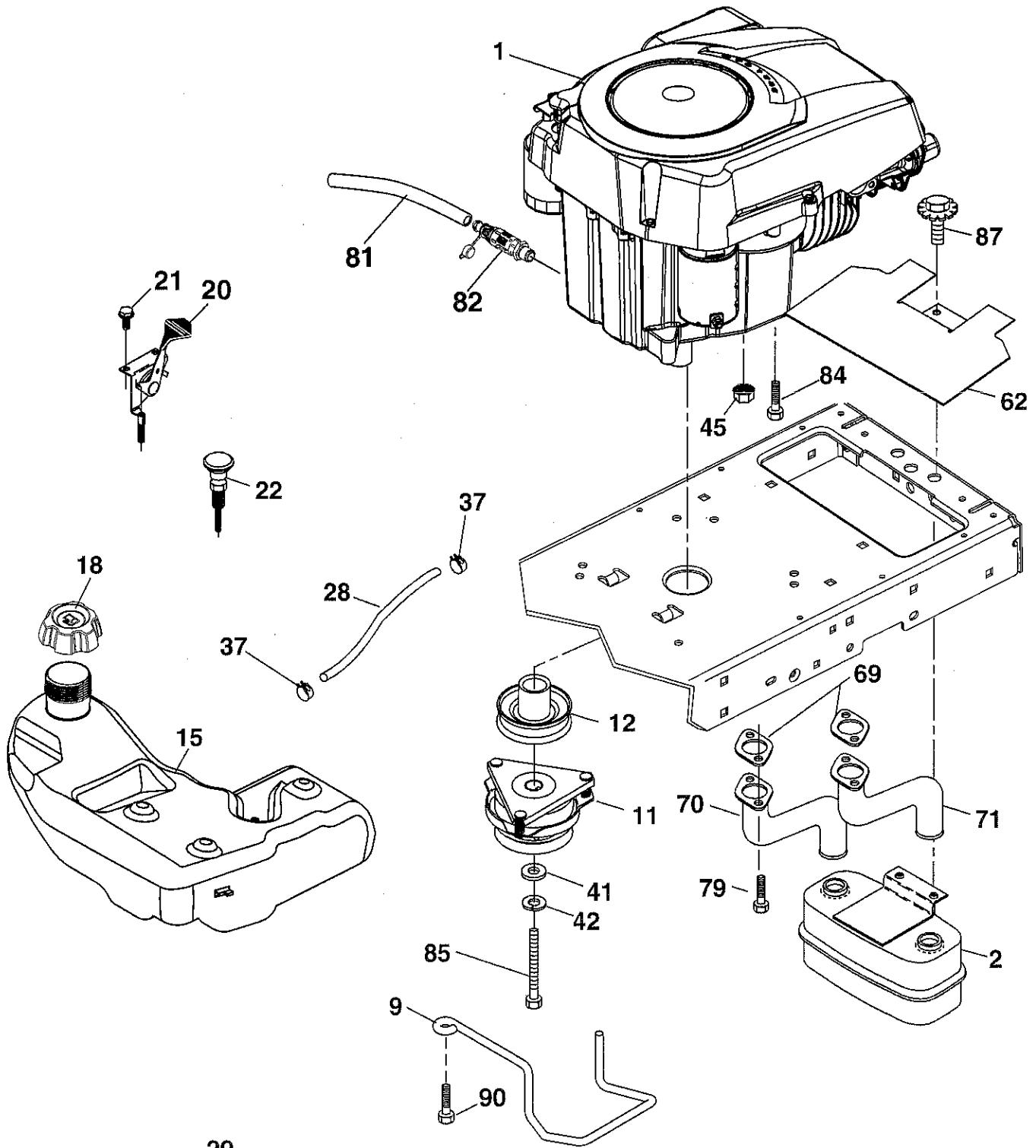
KEY NO.	PART NO.	DESCRIPTION
1	-----	Transaxle, TUFFTORQ K46 BT (See Transaxle Breakdown)
2	123583X	Key
15	19131316	Washer 13/32 x 13/16 x 16 Ga.
17	413678	Spring, Brake
26	199679	Spring Return Cruise
29	403806	Rod, Brake
33	12000001	Ring E
35	199591	Rod, Brake, Park
42	8883R	Cover, Foot Pedal
49	72110614	Bolt
50	194327	Pulley Idler Flat
51	73900600	Lock Nut 3/8-16
52	194326	Idler V-Groove 910" Offset
56	130969	V-Belt, Drive
64	197865	Shaft Asm. Pedal Brake Control
73	74490544	Bolt 5/16-18 x 4.5 Gr. 5
80	410024	Strap Torque
92	74760520	Bolt Fin Hex 5/16-18 unc x 1.25
99	415742	Rod Spring Bypass
116	73900500	Nut Lock Hex Flange 5/16-18
125	17000512	Screw 5/16-18 x 3/4
143	17490508	Screw 5/16-18 x 1/2
153	4497H	Retainer Spring
159	76020412	Pin Cotter 1/8 x 3/4
160	169484	Retainer Clip
161	105709X	Spring, Return, Clutch
163	401034	Rod Pedal Control
166	429164	Nut Push .625
167	405257	Latch Brake Parking
170	413430	Keeper Belt Centerspan
183	137057	Spacer Split

KEY NO.	PART NO.	DESCRIPTION
184	196439X505	Handle Parking Brake
185	72110622	Bolt 3/8-16 x 2-3/4 Gr. 5
186	194321	Spacer Retainer
187	19133210	Washer
188	194323	Link Clutch Ground Drive
189	194317	Bellcrank Ground Drive
190	194318	Keeper Bellcrank Ground Drive
196	17000616	Screw 3/8-16 x 1
197	195804	Bracket Clutch Anti-Rotation
205	121748X	Washer
206	197867	Bracket Mount Latch Cruise
207	197868	Latch Control Cruise
208	197869	Gear Sector Control Cruise
209	199592	Rod Control Cruise
210	400980	Rocker Asm. Pedal Control
211	120183X	Bearing Nylon
213	196441X428	Knob Control Cruise
214	421263	Pedal Forward
215	197301X428	Pedal Reverse
216	196131	Bracket Pulley Idler
221	403187	Retainer Spring Clip Handle
222	79212010	Washer 21/32 x 1-1/4 x 10 Ga.
225	403319	Keeper Belt Trans.
226	401564	Bracket Mount Torque
230	188967	Washer
231	407287	Idler V-Groove Pulley

NOTE: All component dimensions given in U.S. inches
1 inch = 25.4 mm

TRACTOR- -MODEL NO. 917.253701

ENGINE



SPARK ARRESTER KIT

engine-tex_Ko0hl-2cyl_6

TRACTOR- -MODEL NO. 917.253701

ENGINE

KEY NO.	PART NO.	DESCRIPTION
1	-----	Engine Kohler Model No. SV735-0020 (See Engine Breakdown)
2	149723	Muffler
9	194320	Keeper Belt Engine
11	400008	Clutch Electric
12	405097	Pulley Engine
15	400021	Tank Fuel 2.50
18	430218	Cap
20	177328X428	Control Throttle
21	416358	Screw #10 x 0.750 BOS Thread
22	187767X428	Choke Control
28	8543R	Fuel Line
29	137180	Spark Arrester Kit
37	123487X	Clamp Hose
41	126197X	Washer 1-1/2 OD x 15/32 TD x.250
42	10040700	Washer Lock 7/16
45	73510400	Nut Keps Hex 1/4-20
62	434017	Shield Heat Muffler
69	-----	Gasket Kohler (Order from engine Manufacturer)
70	146699	Pipe Exhaust LH
71	146700	Pipe Exhaust RH
79	192334	Screw Socket Head 5/16-18 x .75
81	148456	Tube Drain Oil Easy
82	428287	Valve Oil Drain
84	17120616	Screw 3/8-16 x 1-1/4
85	173937	Bolt Hex 7/16-20 x Gr. 5-1.5 THR
87	171877	Bolt 5/16-18 unc x 3/4 w/Sems.
90	17000616	Screw 3/8-16 x 1.0

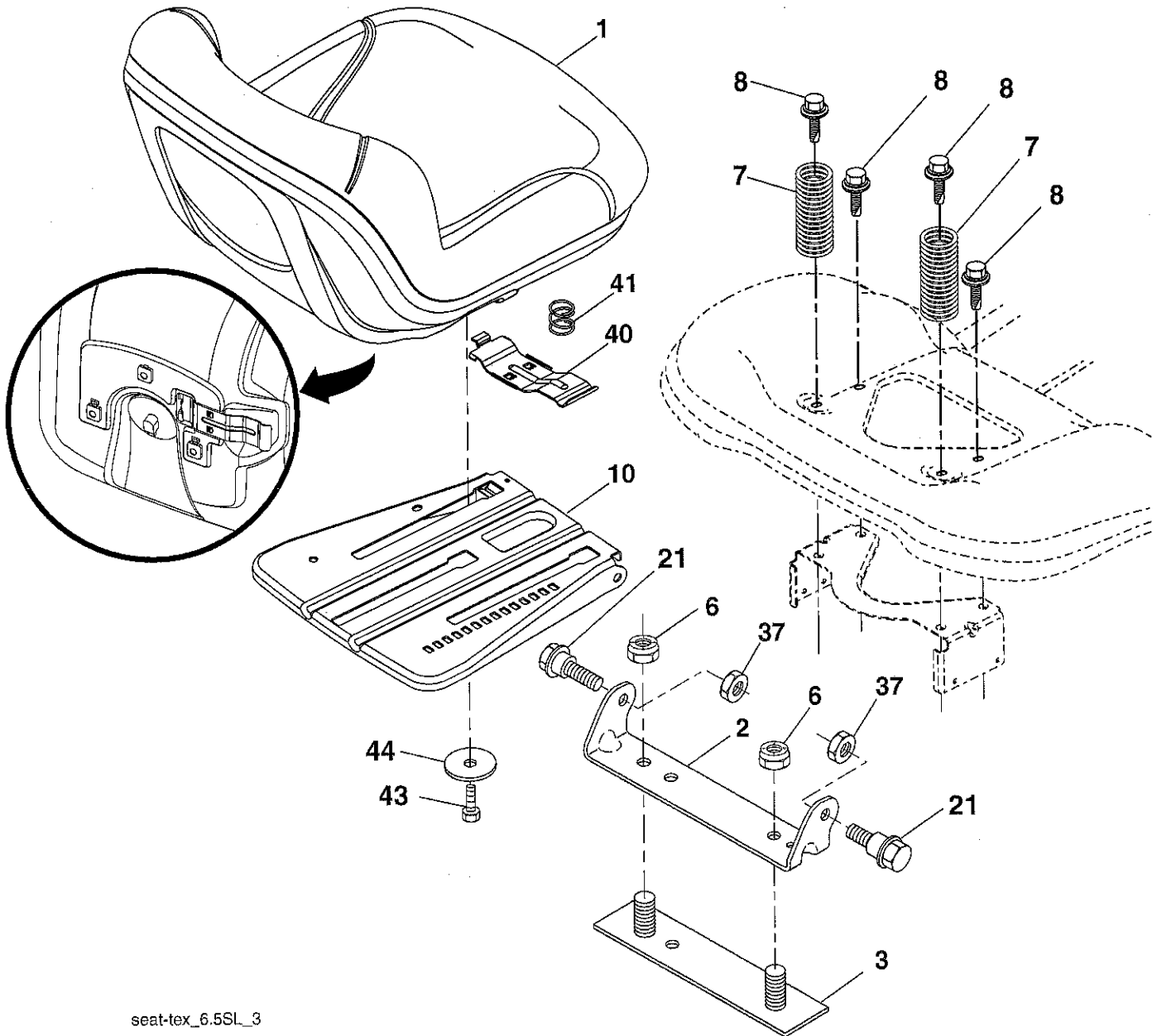
NOTE: All component dimensions given in U.S. inches
1 inch = 25.4 mm

Engine Power Rating Information

The gross power rating for individual gas engine models is labeled in accordance with SAE (Society of Automotive Engineers) code J1940 (Small Engine Power & Torque Rating Procedure), and rating performance has been obtained and corrected in accordance with SAE J1995 (Revision 2002-05). Torque values are derived at 3060 RPM; horsepower values are derived at 3600 RPM. Actual gross engine power will be lower and is affected by, among other things, ambient operating conditions and engine-to-engine variability. Given both the wide array of products on which engines are placed and the variety of environmental issues applicable to operating the equipment, the gas engine will not develop the rated gross power when used in a given piece of power equipment (actual "on-site" or net power). This difference is due to a variety of factors including, but not limited to, accessories (air cleaner, exhaust, charging, cooling, carburetor, fuel pump, etc.), application limitations, ambient operating conditions (temperature, humidity, altitude), and engine-to-engine variability. Due to manufacturing and capacity limitations, Briggs & Stratton may substitute an engine of higher rated power for this Series engine.

TRACTOR- -MODEL NO. 917.253701

SEAT ASSEMBLY



seat-tex_6.5SL_3

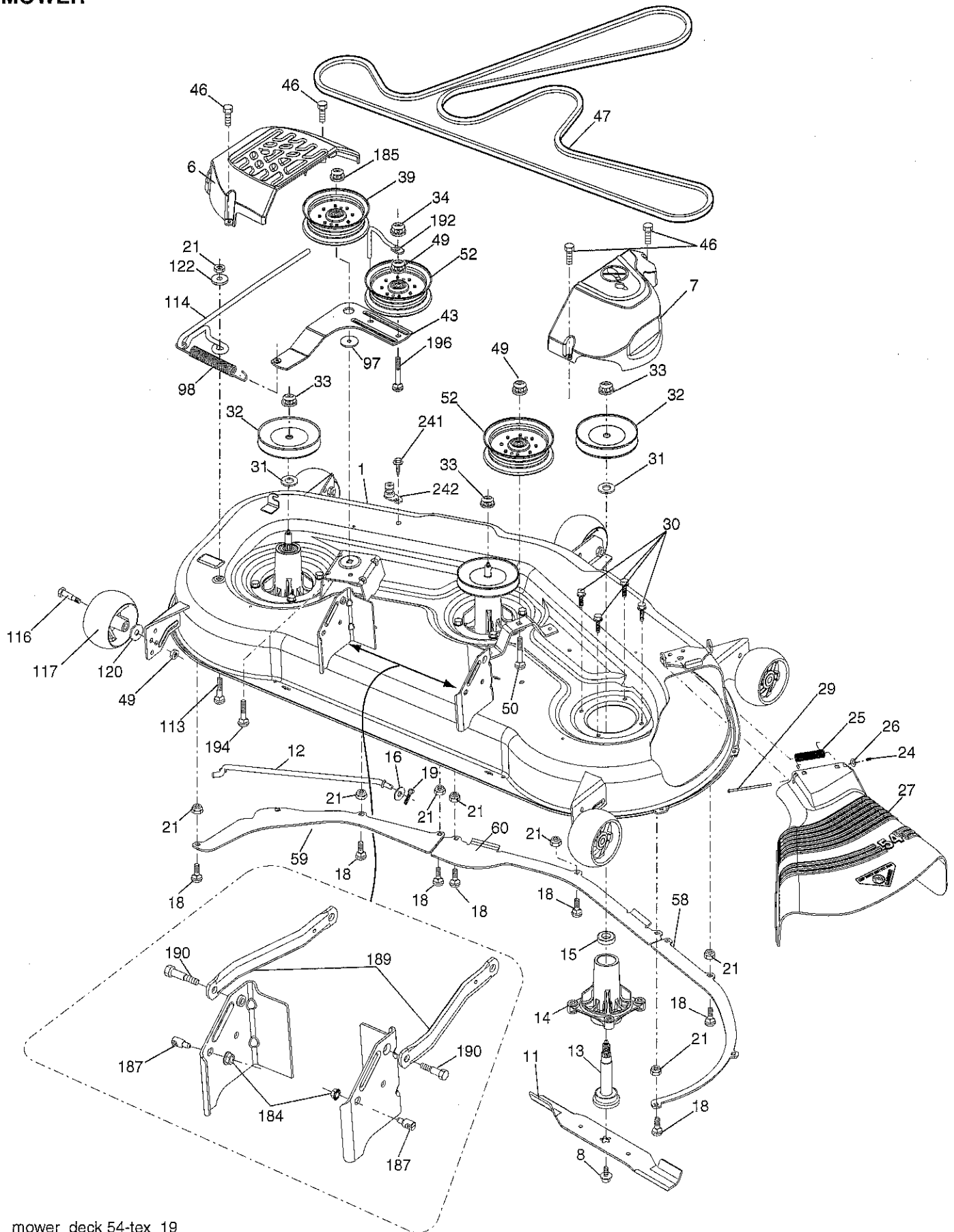
KEY NO.	PART NO.	DESCRIPTION
1	423645	Seat
2	180166	Bracket Pivot Fender
3	140675	Strap, Asm. Fender
6	STD541437	Nut, Lock w/Ins. 3/8-16 unc
7	124181X	Spring, Seat Cprsn.
8	171877	Bolt 5/16-18 unc x 3/4 w/Sems.
10	196977	Pan, Seat
21	171852	Bolt, Shoulder 5/16-18

KEY NO.	PART NO.	DESCRIPTION
37	STD541431	Nut, Lock 5/16-18 unc
40	197661	Handle Slide Seat
41	198200	Spring Latch Seat
43	74760612	Bolt 3/8-16 x 3/4
44	19133812	Washer 13/32 x 2-3/8 x 12 Ga.

NOTE: All component dimensions given in U.S. inches.
1 inch = 25.4 mm

TRACTOR- -MODEL NO. 917.253701

MOWER



mower_deck 54-tex_19

TRACTOR- -MODEL NO. 917.253701

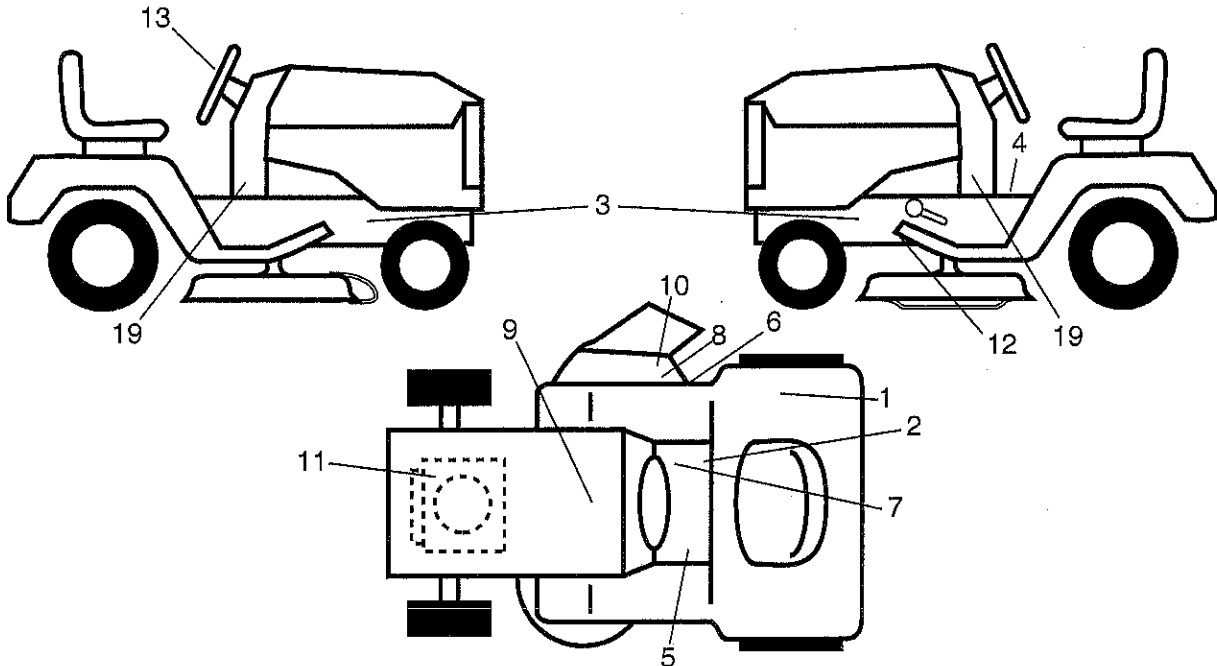
MOWER

KEY NO.	PART NO.	DESCRIPTION	KEY NO.	PART NO.	DESCRIPTION
1	195632X615	Deck Weldment Mower	59	187344	Baffle Left
6	196066	Cover Mandrel LH	60	187607	Baffle Center
7	197181	Cover Mandrel RH	97	178515	Washer Hardened
8	193003	Bolt 7/16 Asm. Blade	98	196105	Spring Drive
11	187256	Blade Mulching	113	72110508	Bolt Rdhd. Sqnk. 5/16-18 x 3/4
12	404851	Rod Anti-Sway	114	187556	Rod Tension Relief
13	187291	Shaft Asm. w/Lower Bearing	116	193406	Bolt, Shoulder
14	187281	Housing, Mandrel	117	174873	Gauge Wheel
15	110485X	Bearing, Ball, Mandrel	120	19132012	Washer 13/32 x 1-1/4 x 12 Ga.
16	19131312	Washer 13/23 x 13/16 x 1 2 Ga.	122	187557	Bushing Tension Relief
18	72140505	Bolt RdHd. 5/16-18 unc x 5/8	184	739000500	Nut Lock Hex Flange
19	194208	Pin Cotter 5/16 Bowtie Lock	185	73900700	Nut Lock Flange 7/16-14 Gr. 5
21	73680500	Nut, Crownlock 5/16-18 unc	187	195161	Stud Fastener w/"D" Anti-Rotation
24	105304X	Cap Sleeve	189	195185	Arm Susp. Mower Rear
25	178102	Spring, Torsion	190	196539	Bolt Shoulder
26	110452X	Nut, Push	192	198468	Keeper Belt Idler
27	187257X428	Deflector Shield	194	72140716	Bolt Carr. Sqnk. 7/16-24 x 2
29	131491	Rod, Hinge	196	72140620	Bolt Rdhd 3/8-16 x 2-1/2 Gr. 5
30	173984	Screw, Thdrol. Washer Head	241	152927	Screw
31	187690	Washer, Spacer Mower Vented	242	415598	Port Washout
32	153535	Pulley, Mandrel	--	187292	Mandrel Assembly (Includes housing, shaft assembly, and bearing only - pulley/nut/washer and blade bolt/washers not included)
33	400234	Nut, Fig. Top Lock			
34	73680600	Nut Crownlock 3/8-16 unc			
39	197380	Pulley, Idler			
43	196065	Arm, Idler	--	426342	Replacement Mower, Complete
46	137729	Screw, Thdrol. 1/4-20 x 5/8			
47	196103	Belt Drive Deck			
49	73900600	Nut, Lock Flg. 3/8-16 unc			
50	72110616	Bolt Rdhd. Sqnk. 3/8-16 unc x 2			
52	197379	Pulley Idler			
58	187342	Baffle Right			

NOTE: All component dimensions given in U.S. inches
1 inch = 25.4 mm

TRACTOR- -MODEL NO. 917.253701

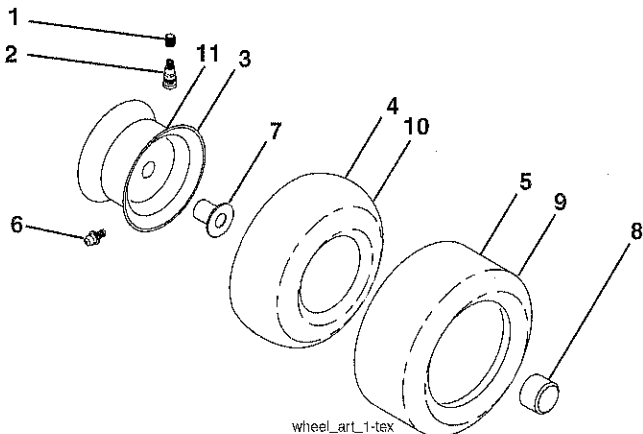
DECALS



KEY NO.	PART NO.	DESCRIPTION
1	180433	Decal, Fender 100 DB/CE
2	178302	Decal, Operator Crusie Sym.
3	159736	Decal, Chassis Hot Muffler
4	400389	Decal, Oper./Wrng.
5	159737	Decal, Brake/Clutch Sym.
6	198785	Decal, B-Belt Shcematic
7	140837	Decal, Saddle Brake Parking
8	196357	Decal, Deflector Wrn. Cutfingng Sym.
9	145005	Decal, Battery Dan./Poi.
10	182166	Decal, Cutfingng CE
11	196841	Decal, Warning Engine Sym.
12	421534	Decal, Mower V-Belt Schematic

KEY NO.	PART NO.	DESCRIPTION
13	422885	Decal, Steering Wheel
19	426193	Decal, Dash Lower
--	162598	Decal Drawbar Load Limit
--	166960	Decal, Bypass
--	193226X428	Pad, Footrest, LH
--	400981X428	Pad, Footrest, RH
--	435153	Manual, Operator's (Euro)
--	435154	Manual, Operator's (Scand)
--	435155	Manual, Operator's (E-Bloc)
--	435156	Manual, Operator's (Baltic)
--	435157	Manual, Parts

WHEELS & TIRES

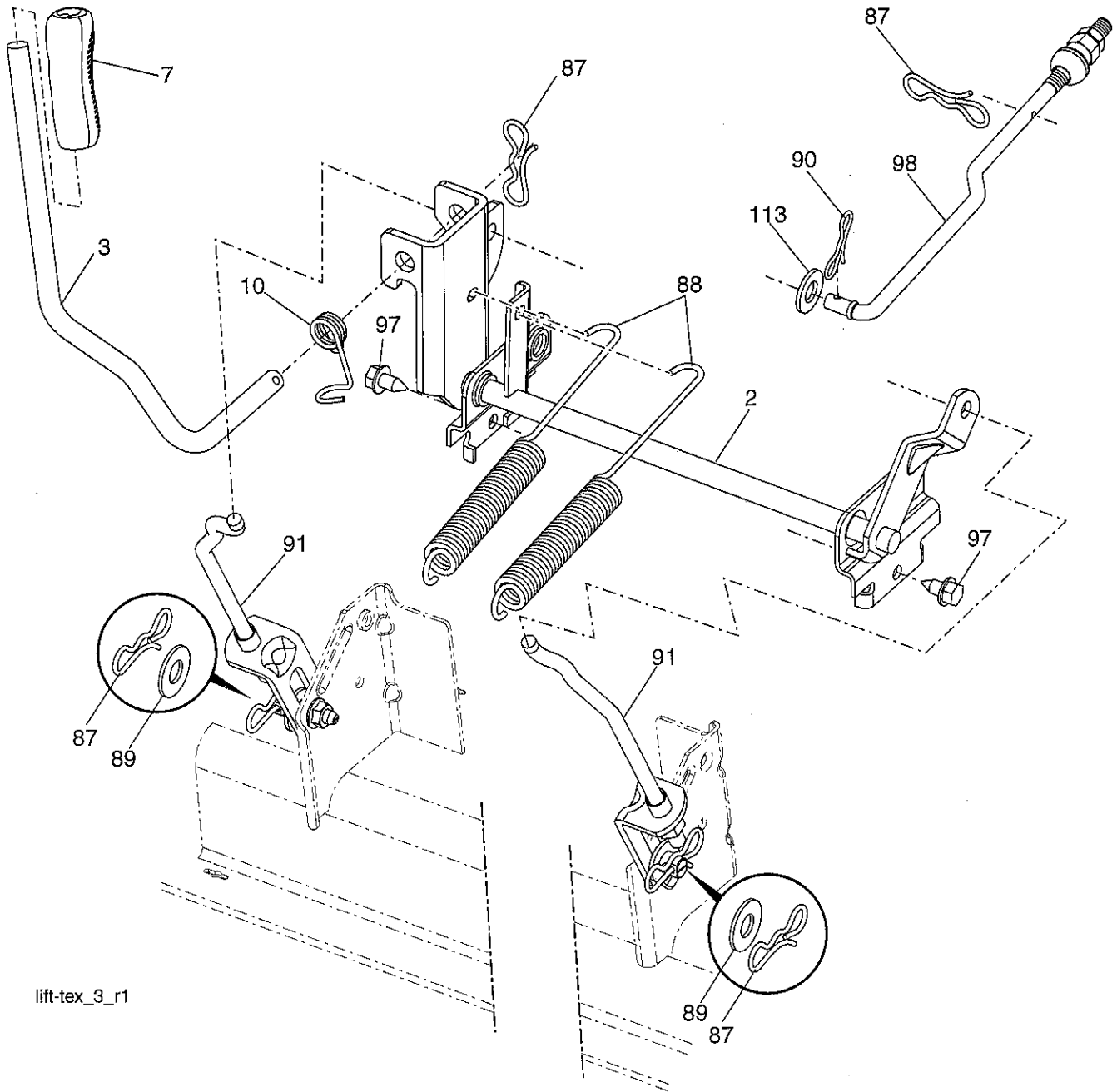


KEY NO.	PART NO.	DESCRIPTION
1	59192	Cap, Valve, Tire
2	65139	Stem, Valve
3	106732X613	Rim Assembly, Front
4	59904	Tube, Front
5	106222X	Tire, Front
6	278H	Fitting, Grease
7	9040H	Bearing, Flange
8	104757X428	Cap, Axle (Front Wheel Only)
9	122082X	Tire, Rear
10	7152J	Tube, Rear
11	106108X613	Rim Assembly, Rear
--	144334	Sealant, Tire (10 oz. Tube)

NOTE: All component dimensions given in U.S. inches
1 inch = 25.4 mm

TRACTOR- -MODEL NO. 917.253701

MOWER LIFT



lift-tex_3_r1

KEY NO.	PART NO.	DESCRIPTION
2	422027	Shaft Asm., Lift
3	195231	Lever Asm., Lift RH
7	196492X428	Grip, Lever
10	196314	Spring Torsion
87	194209	Pin Cotter 7/16 Bow Tie Lock
88	410710	Spring Lift Assist
89	19191912	Washer Clear Zinc

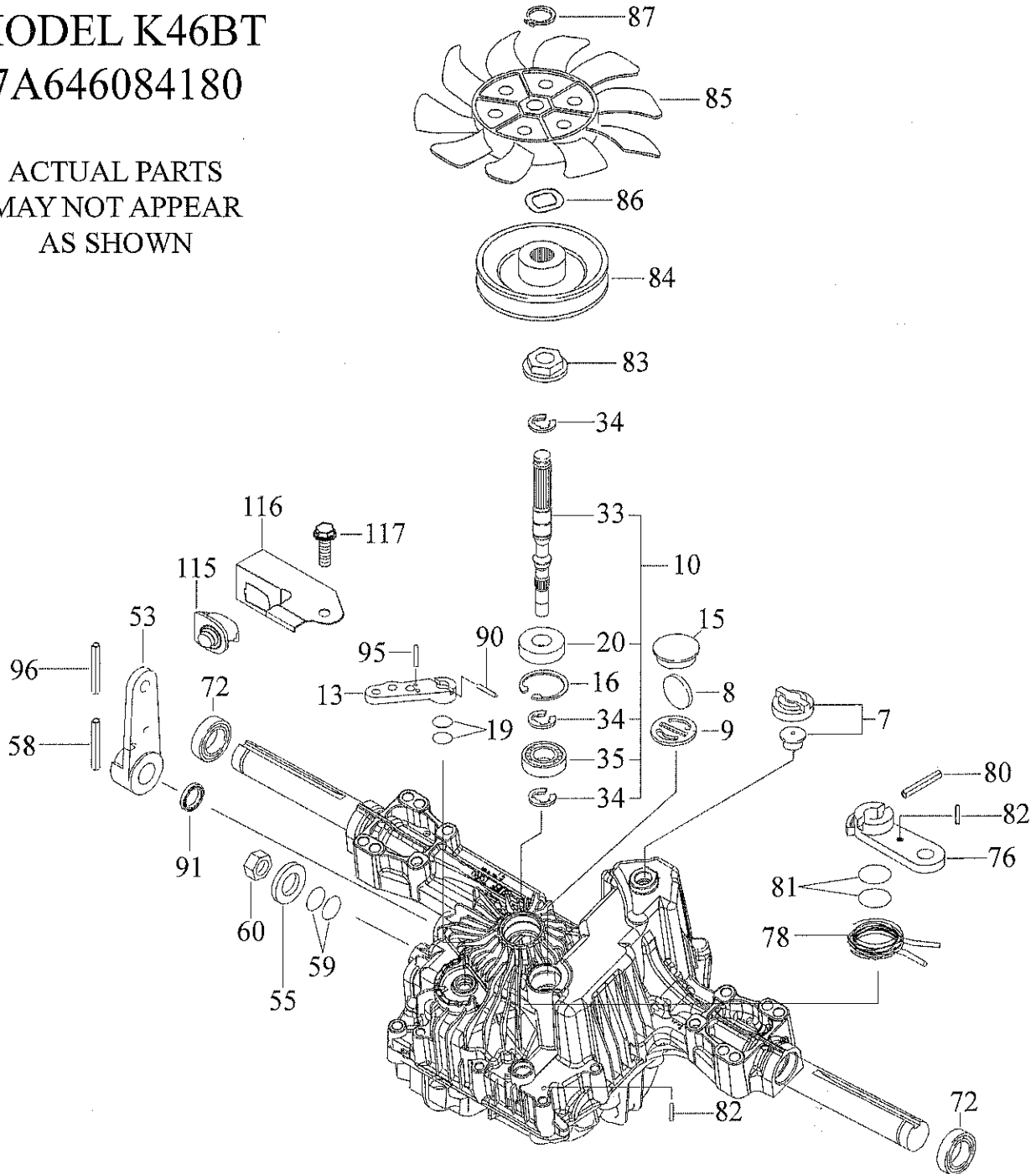
KEY NO.	PART NO.	DESCRIPTION
90	194208	Pin Cotter 5/16 Bow Tie Lock
91	403407	Link-Lift Susp. Mower Rear
97	17000612	Screw 3/8-16 x .75 R.Z
98	195264	Link Lift Susp. Front Mower

NOTE: All component dimensions given in U.S. inches
1 inch = 25.4 mm

TRACTOR- -MODEL NO. 917.253701
TUFFTORQ TRANSAXLE - - MODEL NUMBER K46BT

MODEL K46BT
7A646084180

ACTUAL PARTS
MAY NOT APPEAR
AS SHOWN



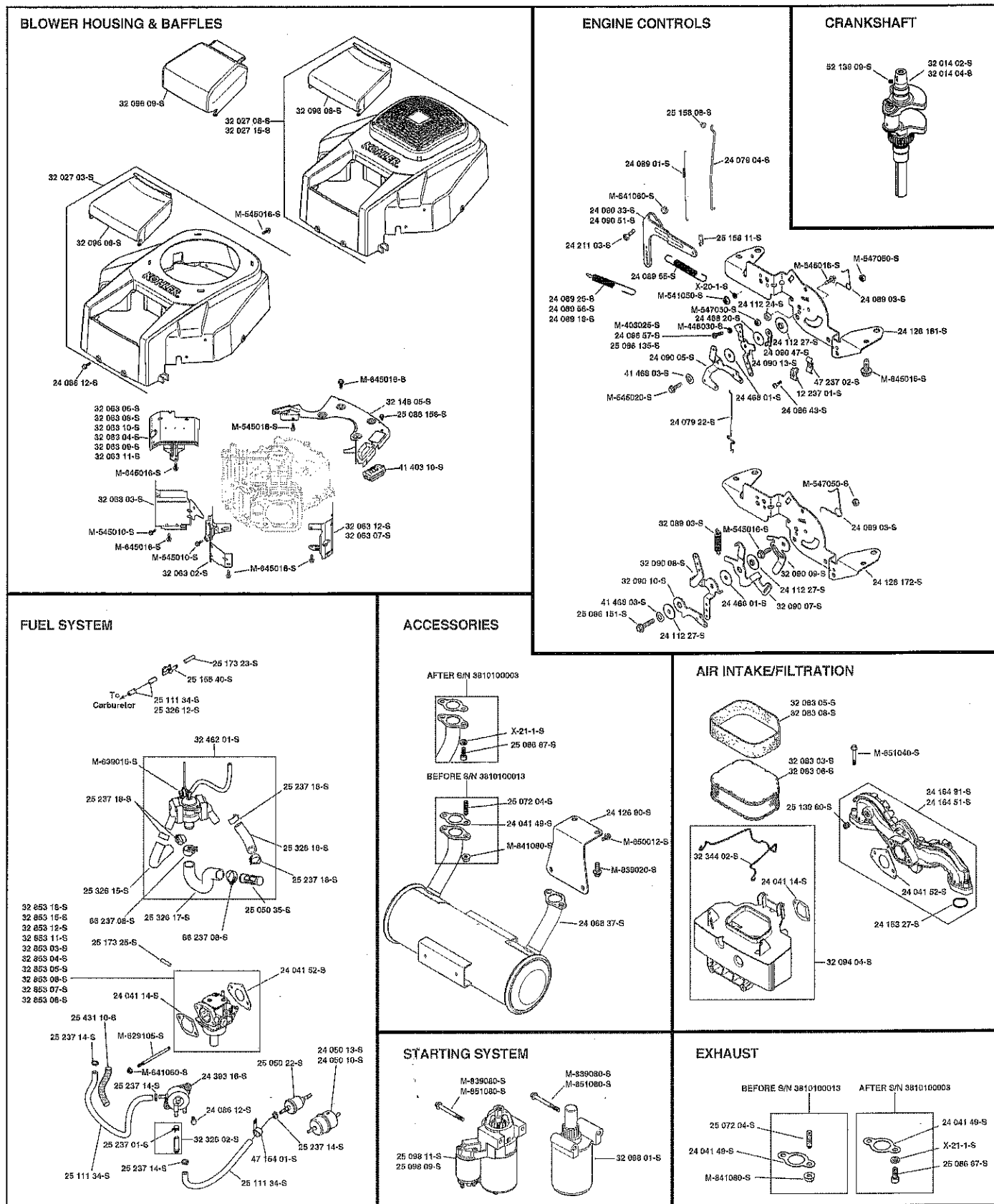
TRACTOR- -MODEL NO. 917.253701
TUFFTORQ TRANSAXLE - - MODEL NUMBER K46BT

KEY NO.	PART NO.	DESCRIPTION
7	414395	Vent Valve 15
8	414396	Magnet
9	414397	Magnet Holder
10	415923	Pump Shaft/Bearing Kit
13	414398	Bypass Lever
15	414399	Sealing Cap 30
16	414400	Snap Ring C 35
19	414401	O-Ring 1A P10A
20	414402	Seal TC 153507
33	414403	Pump Shaft (Standard)
34	414404	E-Ring 15
35	414405	Bearing 6202C3
53	414431	Control Lever F
55	415924	Washer 12
58	415925	Roll Pin 6 * 40
59	415926	O-Ring 1A P14
60	415927	Nut 12
72	414407	Seal 19 * 32 * 8
76	414408	Brake Lever
78	414409	Brake Return Spring
80	414410	Spring Pin 5 * 32
81	414411	O-Ring 1A P12
82	414412	Spring Pin 4 * 16
83	414413	Spine Collar
84	414414	Pulley L
85	414415	Fan, Black
86	414416	WAVE WASHER
87	414417	Snap Ring
90	414418	Spring Pin 3.0A * 20
91	414419	Oil Seal 16 * 22 *.03
95	414850	Spring Pin 3.0A*16
96	414420	Roll Pin 3.5 * 40
115	415928	Switch 6440-11 DELTA
116	415929	Switch Bracket
117	415930	Tapping Screw 8 * 20

NOTE: All component dimensions given in U.S. inches
1 inch = 25.4 mm

TRACTOR- -MODEL NO. 917.253701

KOHLER ENGINE - - MODEL NUMBER SV735, TYPE NUMBER 0020



TRACTOR- -MODEL NO. 917.253701
KOHLER ENGINE - - MODEL NUMBER SV735, TYPE NUMBER 0020

PART NO.	QTY	DESCRIPTION
CRANKSHAFT GROUP		
32 014 04-S	1	<Crankshaft((1.00")(Non-Hardened)
52 139 09-S	1	Plug, Cup
32 014 04-S	1	Crankshaft

PART NO.	QTY	DESCRIPTION
CRANKCASE GROUP		
12 402 02-S	1	Reed, Breather
24 018 04-S	1	Retainer, Breather Reed
24 380 13-S	6	Use 24 380 16-S Pin
24 032 19-S	1	Seal, Oil (Helix Lip)
32 012 01-S	1	Kit, Camshaft
12 422 07-S	1	Shim, Camshaft (White .028")
12 422 08-S	1	Shim, Camshaft (Blue .03")
12 422 09-S	1	Shim, Camshaft (Red .032")
12 422 10-S	1	Shim, Camshaft (Yellow .034")
12 422 11-S	1	Shim, Camshaft (Green .036")
12 422 12-S	1	Shim, Camshaft (Gray .038")
12 422 13-S	1	Shim, Camshaft (Black .04")
24 018 01-S	4	Retainer, Piston Pin
25 874 01-S	2	Kit, Piston W/Ring Set (Std)
24 067 24-S	2	Connecting Rod (Std)
24 018 09-S	1	Retainer, Ring
24 468 15-S	1	Washer, Flat 11/32"
28 032 09-S	1	Seal, Governor Cross Shaft
24 144 38-S	1	Shaft, Governor Cross
M-931010-S	1	Washer, Flat 9 Mm
24 126 19-S	1	Bracket, Oil Fill Tube
25 123 07-S	1	Tube Assembly
M-545013-S	1	Screw, Flg Thd Frm M5x0.8x13
24 038 04-S	1	Dipstick, Assy
25 153 02-S	1	O-Ring, Dipstick
24 755 46-S	1	Kit, Oil Fill Cap (Yellow)
24 038 04-S	1	Dipstick, Assy
24 108 06-S	1	Use 24 108 16-S Ring Set
24 108 14-S	1	Ring Set (Std)
24 874 26-S	1	Use 25 874 01-S Kit
25 874 03-S	1	Kit, Piston W/Ring Set (0.25) 83mm
32 874 09-S	1	Use 24 874 27-S Kit

PART NO.	QTY	DESCRIPTION
IGNITION GROUP (735-740 DSAI)		
25 132 14-S	2	Spark Plug, Rfi
237878-S	1	Kit, 15 Amp Stator
M-548025-S	2	Screw, Thd Frm M5x0.8x25
12 086 14-S	1	Screw, Flg M10x1.5x45
12 468 03-S	1	Washer, Flat 13/32"
32 025 15-S	1	Flywheel Assembly (Sv735/740)
X-42-15-S	1	Key, 3/16" X 5/8"
20 146 05-S	1	Plate, Fan Mounting
32 157 01-S	1	Fan
32 162 03-S	1	Screen, Grass
24 584 52-S	2	Module Spark Adv (Dsai) Assy
M-545020-S	4	Screw, Flg Thd Frm M5x.8x20
25 155 41-S	1	Connector
25 454 03-S	2	Tie, Wire
25 454 05-S	1	Tie
32 176 17-S	1	Kit, Harness, Wiring
47 154 01-S	1	Clip, Cable

PART NO.	QTY	DESCRIPTION
CYLINDER HEAD GROUP		
12 086 16-S	8	Screw, Flg M10x1.5x90
24 841 03-S	2	Gasket, CylinderHead(C25-C730/745) Excpt
24 017 01-S	2	Valve, Intake (Std)
24 016 01-S	2	Valve, Exhaust (Std)
235011-S	4	Retainer, Spring
12 755 03-S	8	Kit, Retainer
12 173 01-S	4	Cap, Valve Spring
24 089 02-S	4	Spring, Valve
66 032 05-S	2	Seal, Valve Stem
25 599 01-S	4	Pivot, Rocker Arm
32 019 02-S	4	Tappet
32 072 04-S	4	Stud, Rocker
32 100 05-S	4	Hex Nut Assembly
25 086 168-S	4	Screw, Set
32 100 05-S	4	Hex Nut Assembly
32 146 09-S	2	Plate, Guide
32 186 03-S	4	Arm, Rocker
32 411 04-S	4	Rod, Push
25 445 01-S	1	Strap, Lifting
24 153 30-S	1	O-Ring, Valve Cover
32 096 06-S	1	Kit, Breather Valve Cover
32 326 07-S	1	Kit, Fuel Pump Hose
24 153 30-S	1	O-Ring, Valve Cover
24 755 141-S	1	Kit, Valve Cover-Plain
M-651030-S	8	Screw, Flg M6x1.0x30
25 237 14-S	1	Clamp, Hose 1/2"
32 050 01-S	1	Filter, Breather
32 072 03-S	1	Stud, Breather Cover
32 081 02-S	1	Kit, Breather Housing
32 096 04-S	1	Cover, Breather
32 326 06-S	1	Kit, Breather Hose
32 468 01-S	1	Washer, Sealing
M-547050-S	1	Nut, Lock M5x.8
M-645016-S	1	Screw, Flg Thd Frm M6x1.0x16
32 318 13-S	1	Kit, #1 Cylinder Head Assembly
32 318 14-S	1	Kit, #2 Cylinder Head Assembly
32 755 03-S	1	Kit, Cylinder Head Hardware
32 841 01-S	1	Kit, Cylinder Head Gasket

TRACTOR- -MODEL NO. 917.253701

KOHLER ENGINE - - MODEL NUMBER SV735, TYPE NUMBER 0020

PART NO. QTY DESCRIPTION

LUBRICATION GROUPING

24 086 17-S	1	0 Screw, Flg M8x1.25x45
25 032 06-S	1	Seal, Oil
25 139 57-S	2	Plug, Sq Hd Pipe 3/8"
32 199 07-S	1	Pan Assembly, Oil
12 144 02-S	1	Shaft, Governor Gear
12 380 01-S	1	Pin, Governor RegulAting
24 043 12-S	1	Kit, Governor Gear W/PIN
24 448 02-S	1	Tab, Locking
24 153 01-S	1	O-Ring, Oil Pick-Up
32 018 01-S	1	Retainer, Pin
52 755 50-S	1	Kit, Oil Relief
X-212-3-S	1	Ball
32 086 01-S	2	Screw, Shd Thd Frm M6x.0x6.5
32 393 10-S	1	Pump Assembly, Oil
24 153 01-S	1	O-Ring, Oil Pick-Up
32 018 01-S	1	Retainer, Pin
32 123 01-S	1	Tube, Oil Feed - Filter To Pan
32 123 09-S	1	Oil Feed Tube Assembly
24 153 01-S	1	O-Ring, Oil Pick-Up
32 123 06-S	1	Tube, Oil Feed
32 153 05-S	1	O-Ring
32 136 05-S	1	Nipple, Oil Filter
52 050 02-S	1	Filter, Oil
25 139 60-S	1	Plug, Ctsk Pipe 1/8"
32 468 02-S	1	Washer, Flat

BLOWER HOUSING GROUP

24 086 12-S	2	Screw, Tap M6x1.7x18
32 027 03-S	1	Kit, Housing Blower
32 096 08-S	1	Cover, Air Cleaner
M-545016-S	4	Screw, Flg Thd Frm M5x0.8x16
32 146 05-S	1	Kit, Backing Plate
41 403 10-S	1	Regulator/Rectifier
M-545016-S	2	Screw, Flg Thd Frm M5x0.8x16
M-645016-S	4	Screw, Flg Thd Frm M6x1.0x16
32 063 02-S	1	Baffle, Valley #2 Side
32 063 03-S	1	Baffle, Valley #1 Side
25 086 158-S	2	Screw, Flng Thd Frm M6x1.0x10
32 063 10-S	1	Baffle, Cyl Barrel - #1 Side
32 063 12-S	1	Baffle, Cyl Barrel - #2 Side
M-545010-S	2	Screw, Flg Thd Frm M5x.8x10
M-545016-S	2	Screw, Flg Thd Frm M5x0.8x16
M-645016-S	4	Screw, Flg Thd Frm M6x1.0x16

STARTING GROUP

12 243 04-S	1	Commutator, End Cap
12 755 39-S	1	Kit, Drive
32 211 01-S	1	Bolt, Thru
32 227 01-S	1	Cap, Drive End
M-851080-S	2	Screw, Flg M8x1.25x80

PART NO. QTY DESCRIPTION

FUEL SYSTEM GROUPING

32 853 12-S	1	Kit, Carburetor, 22mm Keihin
M-629105-S	2	Stud, M6x1.0x106
M-641060-S	2	Nut, Flg M6x1.0
24 050 13-S	1	Filter, Fuel
25 111 34-S	1	Line, Fuel (24"-Cut To Length)
25 237 14-S	2	Clamp, Hose 1/2"
47 154 01-S	1	Clip, Cable
24 086 12-S	2	ScreW, Tap M6x1.7x18
24 393 16-S	1	Pump, Fuel
25 111 34-S	1	Line, Fuel (24"-Cut To Length)
25 237 14-S	2	Clamp, Hose 1/2"
9-32-4	1	Control Group (Torx)
25 086 135-S	1	Screw, Hex Hd Cap (W/Loctite)
M-645016-S	4	Screw, Flg Thd Frm M6x1.0x16
24 112 24-S	1	Spacer
24 090 51-S	1	Lever, Governor
24 211 03-S	1	Bolt, Rd Hd Sq Neck M6x1.0x25
M-641060-S	1	Nut, Flg M6x1.0
12 237 01-S	2	Clamp, Cable
24 086 43-S	2	Screw, Lbd Thd Frm M5x0.8x16
24 089 01-S	1	Spring, Linkage
24 079 22-S	1	Linkage, Choke
24 089 55-S	1	Spring, GOVERNOR
24 089 56-S	1	Spring, Governor
24 079 04-S	1	Linkage, Throttle
25 158 08-S	1	Bushing, Linkage Retaining
25 158 11-S	1	Bushing, Throttle Linkage

AIR INTAKE GROUP

24 041 14-S	1	Gasket, Air Cleaner Base
32 094 04-S	1	Kit, Air Cleaner Base
32 344 02-S	1	Latch, Air Cleaner Element
32 083 03-S	1	Element, Air Filter
24 164 91-S	1	Kit, Intake Manifold
M-651040-S	4	Screw, Flg M6x1.0x40

EXHAUST GROUP

24 041 49-S	2	Gasket, Exhaust
25 454 05-S	1	Tie
12-32-21	1	Identification Group
25 113 39-S	1	Decal, Clear Laminate
25 454 05-S	1	Tie
32 113 23-S	1	Decal, Sears 2pc Wng St
32 113 27-S	1	Decal, 26 Hp
32 113 60-S	1	Decal, Fill Check

SHORT BLOCK GROUP (1" HARD)

32 522 03	1	SV710-740 Shortblock
-----------	---	----------------------

NOTE: All component dimensions given in U.S. inches.
1 inch = 25.4 mm

LIMITED WARRANTY ON CRAFTSMAN RIDING EQUIPMENT

For two (2) years from the date of purchase, if this Craftsman Riding Equipment is maintained, lubricated and tuned up according to the instructions in the owner's manual, Sears will repair or replace free of charge any parts that are found to be defective in material or workmanship according to the guidelines of coverage listed below. Sears will also provide free labor for these applicable warranted parts for the two full years. During the first 30 days of purchase, there will be no charges to service the product at your home for issues covered by this warranty. (See exclusions below). For your convenience, IN HOME warranty service will still be available after the first 30 days of purchase, but a trip charge will apply. This charge will be waived if the Craftsman product is dropped off at an authorized Sears location. For the nearest authorized Sears location, please call 1-800-4-MY-HOME®. This warranty applies only while this product is within the United States.

This Warranty does not cover:

- Expendable items which become worn during normal use, including but not limited to blades, spark plugs, air cleaners, belts, and oil filters.
- Standard Maintenance Servicing, oil changes, or tune-ups
- Tire replacement or repair caused by punctures from outside objects, such as nails, thorns, stumps, or glass.
- Repairs necessary because of operator abuse, including but not limited to, damage caused by towing objects beyond the capability of the riding equipment, impacting objects that bend the frame or crankshaft, or over-speeding the engine.
- Repairs necessary because of operator negligence, including but not limited to, electrical and mechanical damage caused by improper storage, failure to use the proper grade and amount of engine oil, failure to keep the deck clear of flammable debris, or failure to maintain the equipment according to the instructions contained in the owner's manual.
- Engine (fuel system) cleaning or repairs caused by fuel determined to be contaminated or oxidized (stale). In general, fuel should be used within 30 days of its purchase date.
- Normal deterioration and wear of the exterior finishes, or product label replacement.
- Riding equipment used for commercial or rental purposes.

LIMITED WARRANTY ON BATTERY

For ninety (90) days from date of purchase, if any battery included with this riding equipment proves defective in material or workmanship and our testing determines the battery will not hold a charge, Sears will replace the battery at no charge. During the first 30 days of purchase, there will be no charges to replace the battery at your HOME. After the first 30 days, for your convenience, IN-HOME warranty service will still be available but a trip charge will apply. This charge will be waived if the Craftsman product is dropped off at an authorized Sears location. For the nearest authorized Sears location, please call 1-800-4-MY-HOME®.

This battery warranty applies only while this product is within the United States.

This warranty gives you specific legal rights, and you may also have other rights, which vary, from state to state.

Sears, Roebuck and Co., Dept. 817WA, Hoffman Estates, IL 60179

CRAFTSMAN®