

REPAIR PARTS MANUAL
MODEL NO. 253712

CRAFTSMAN®

HOW TO USE THIS MANUAL

This manual is designed to provide the customer with a means to identify the parts on his/her tractor when ordering repair parts. The illustrations may or may not represent the actual assemblies; therefore, it is not recommended to use this manual as a guide to assemble or disassemble the tractor. Some hardware and parts are drawn larger in order to more readily identify them.

Each tractor has its own model number.

The model number for your tractor can be found on the fender under the seat.

When ordering parts, always give the following information:

- Product - Lawn Tractor
- MODEL NUMBER - **253712**
- Part Number
- Part Description

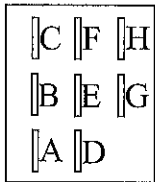
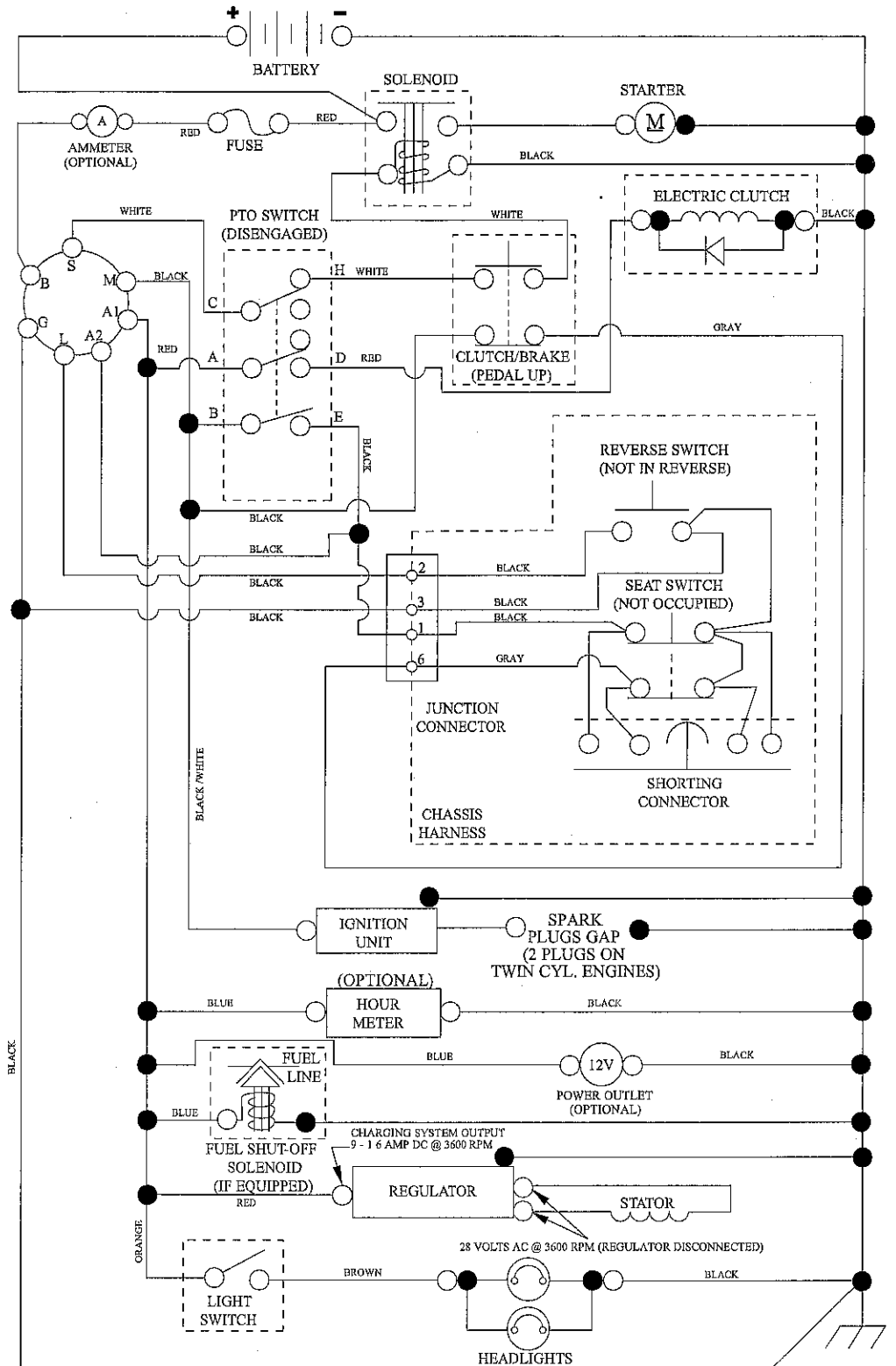
TABLE OF CONTENTS

SCHEMATIC	3
ELECTRICAL.....	4-5
CHASSIS	6-7
DRIVE.....	8-9
ENGINE.....	10-11
STEERING	12
SEAT	13
MOWER DECK	14-15
MOWER LIFT.....	16
DECALS.....	17
TRANSAXLE BREAKDOWN	18-20
ENGINE BREAKDOWN.....	21-26
WARRANTY.....	BACK COVER

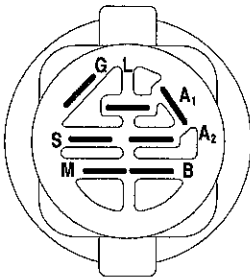
TRACTOR - - MODEL NUMBER 917.253712

SCHEMATIC

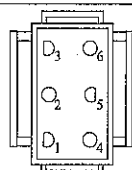
SCH12



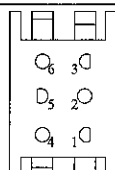
PTO SWITCH (MATING SIDE)



POSITION	CIRCUIT "MAKE"
OFF	M+G+A1
RUN/OVERRIDE	B+A1
RUN	B+A1 L+A2
START	B + S + A1



CHASSIS HARNESS CONNECTOR (MATING SIDE)



DASH HARNESS CONNECTOR

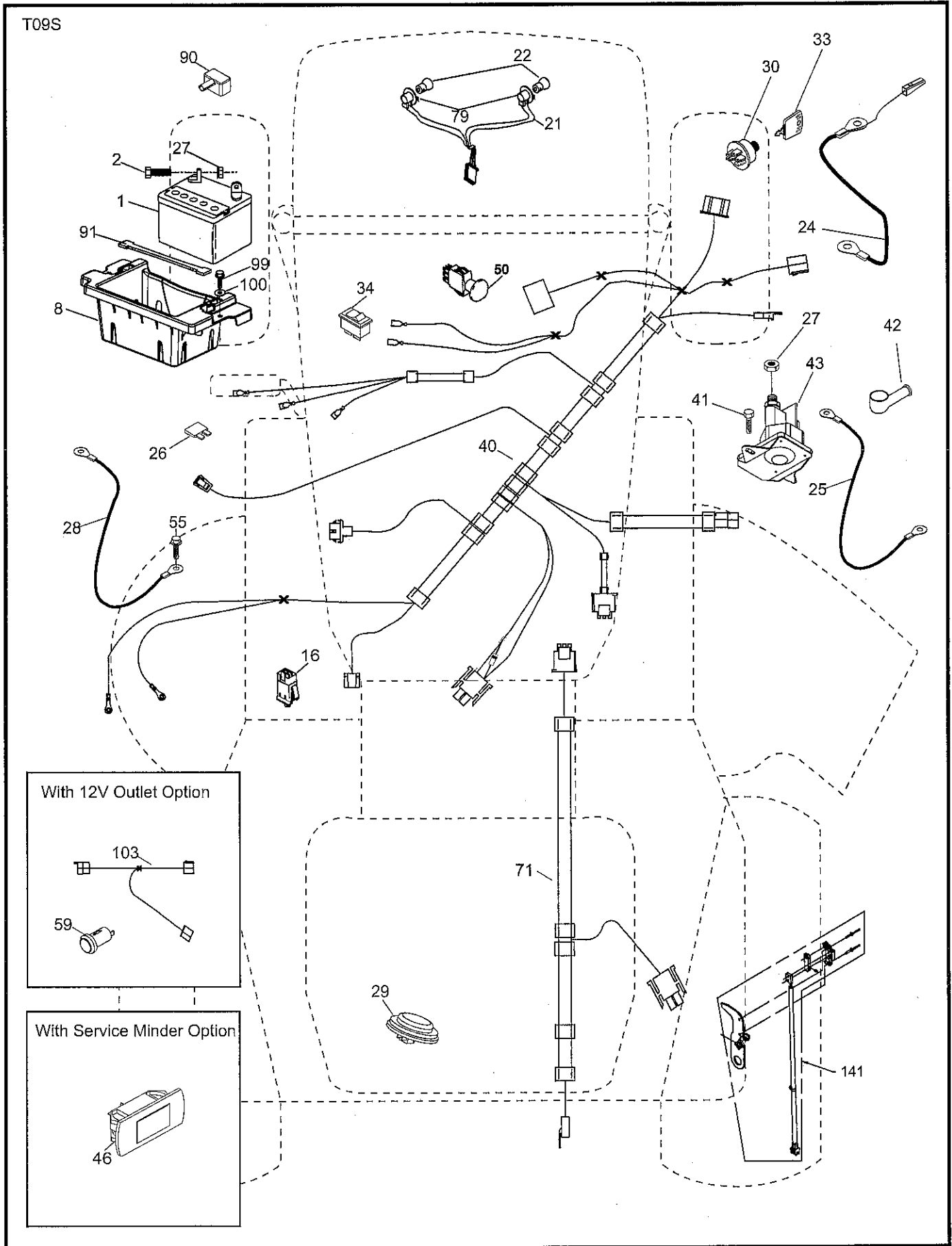
WIRING INSULATED CLIPS
NOTE: IF WIRING INSULATED CLIPS WERE REMOVED FOR SERVICING OF UNIT, THEY SHOULD BE RE-INSTALLED TO PROPERLY SECURE YOUR WIRING.

●
NON-REMOVABLE CONNECTIONS

○
REMOVABLE CONNECTIONS

TRACTOR -- MODEL NUMBER 917.253712

ELECTRICAL



TRACTOR - - MODEL NUMBER 917.253712

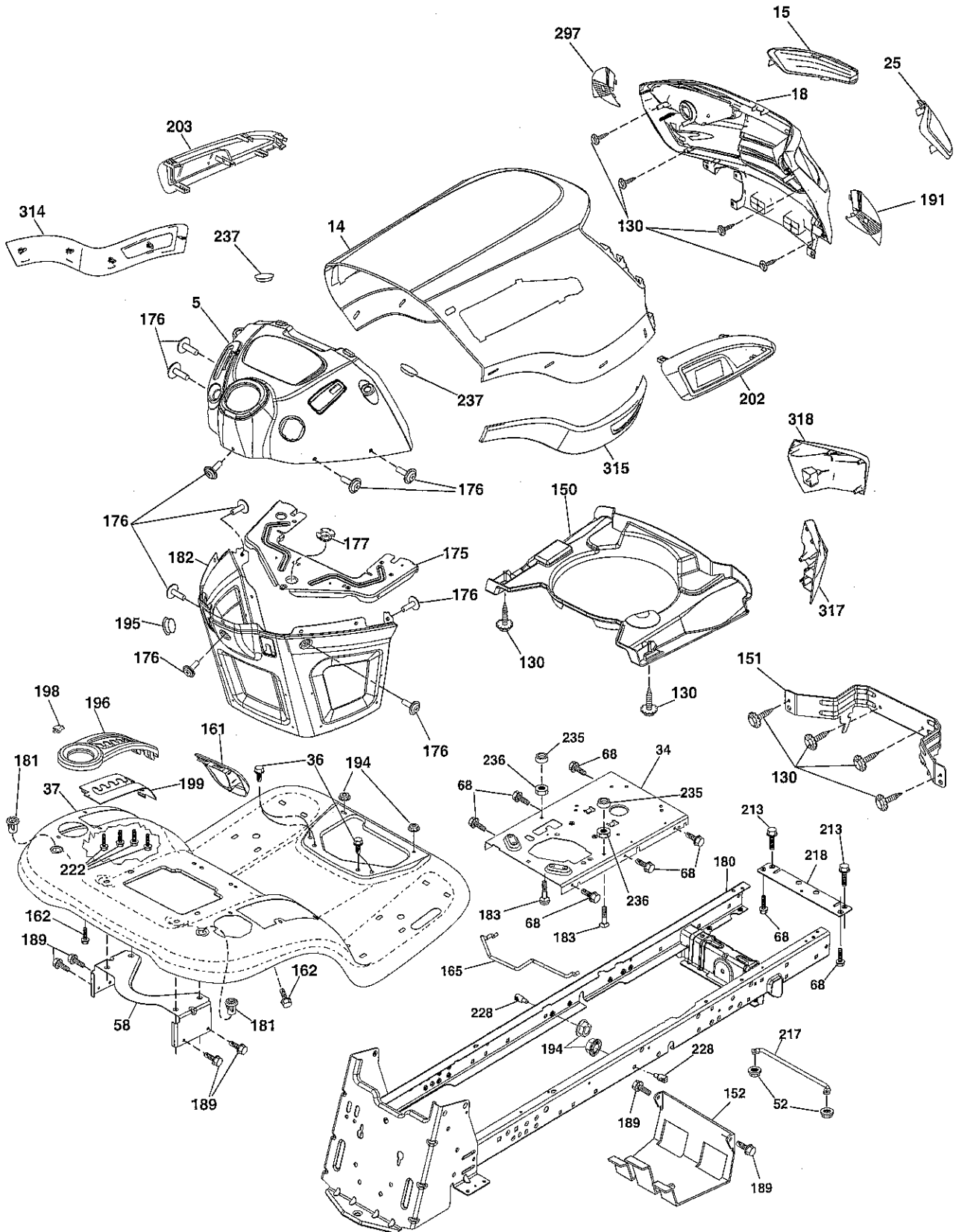
ELECTRICAL

KEY NO.	PART NO.	DESCRIPTION
1	163465	Battery
2	74760412	Bolt Hex Head 1/4-20 x 3/4
8	186491	Box Battery
16	176138	Switch Interlock Push-In
21	400252	Harness Socket Light w/4152J
22	4152J	Bulb Light
24	400253	Cable Battery
25	412895	Cable Starter
26	175158	Fuse
27	73510400	Nut Keps Hex 1/4-20 unc
28	145491	Cable, Ground
29	401545	Switch, Seat
30	193350	Switch, Ign
33	411934	Key/Chain
34	110712X	Switch Light/Reset
40	401104	Harness Ign. Dash
41	17720408	Screw 1/4-20 x 1/2
42	131563	Cover, Terminal
43	192507	Solenoid
46	401763	Gauge Hourmeter
50	174652	Switch, PTO
55	17060512	Screw 5/16-18 x 3/4
71	194276	Harness Ignition
79	175242	Socket Asm. Bulb
90	400724	Cover Terminal Battery
91	190270	Strap Battery Mount Front
99	17670412	Screw Hexwsh Thdrol 1/4-20 x 3/4
100	19091416	Washer 9/32 x 7/8 x 16 Ga.
141	421225	Kit G700/G730 ROS Service

NOTE: All component dimensions given in U.S. inches
1 inch = 25.4 mm

TRACTOR -- MODEL NUMBER 917.253712

CHASSIS ASSEMBLY



TRACTOR - - MODEL NUMBER 917.253712

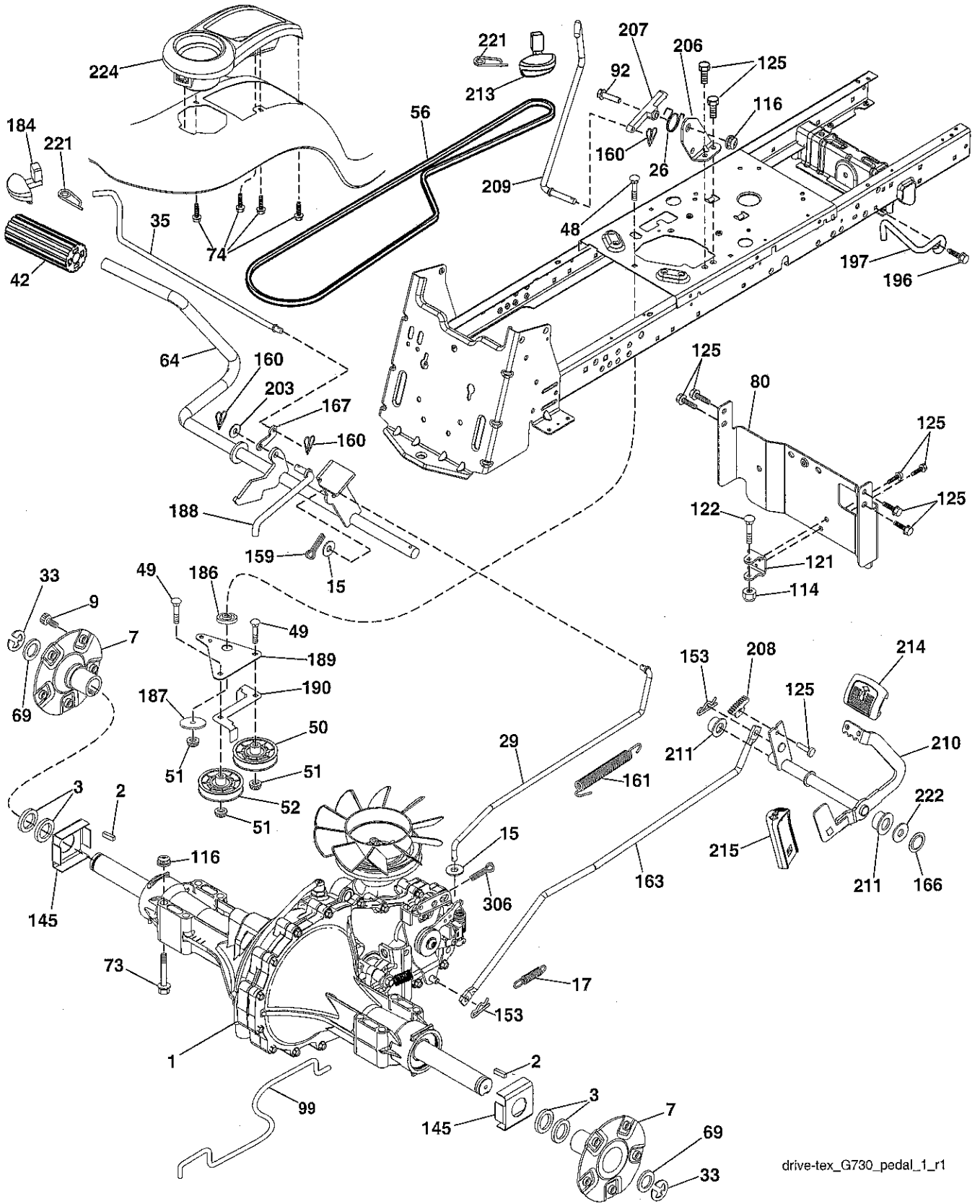
CHASSIS ASSEMBLY

KEY NO.	PART NO.	DESCRIPTION	KEY NO.	PART NO.	DESCRIPTION
5	421811X428	Dash	189	17000512	Screw 3/8-16 x 3/4
14	421154X428	Hood	191	425407	Insert Reflective RH
15	421493X599	Lens LH	194	73900500	Nut Lock Hex Flange 5/16-18
18	441721X428	Grille	195	401556X428	Plug Hole Dash
25	421494X599	Lens RH	196	196379X428	Console Asm. Deck Lift
34	196125	Plate Engine	198	197300X667	Indicator Deck Lift
36	17060512	Screw 5/16-18 x 3/4	199	196377	Plate Deck Lift
37	400009X428	Fender	202	441728X428	Vent Side Hood RH
52	73680500	Nut Lock 5/16-18	203	441729X428	Vent Side Hood LH
58	194314	Brack Support Fender	213	74760512	Bolt 5/16-18 unc x 3/4
68	17490508	Screw Thdrol 5/16-18 x 1/2	217	409167	Rod Pivot Hood
130	416358	Screw #10 x 0.750	218	196395	X-Piece Hood Stop
150	199411	Duct Heat Hood	222	137729	Screw 1/4-20 x 5/8
151	196332	Bracket Pivot	228	195161	Stud Fastener
152	199535	Shield Browning/Debris	235	406129	Spacer Fender
161	193097X428	Window Fuel	236	73930500	Nut 5/16-18 unc
162	142432	Screw Hex Wsh Hi-Lo 1/4 x 1/2	237	403704	Plug Mount Cargo
165	196826	Support Tank Rear	297	425406	Insert Reflective LH
175	196304	Crossmember	314	441688	Trim Side LH
176	400776	Screw	315	441687	Trim Side RH
177	195227	Bushing Steering	317	421257X428	Cap Corner RH
180	195477	Chassis	318	421258X428	Cap Corner LH
181	193102X428	Bushing Mtg. Fender Crgo.			
182	406859	Dash Lower			
183	74520520	Bolt 5/16-18 x 1-1/4			

NOTE: All component dimensions given in U.S. inches
1 inch = 25.4 mm

TRACTOR - - MODEL NUMBER 917.253712

GROUND DRIVE



drive-tex_G730_pedal_1_r1

TRACTOR - - MODEL NUMBER 917.253712

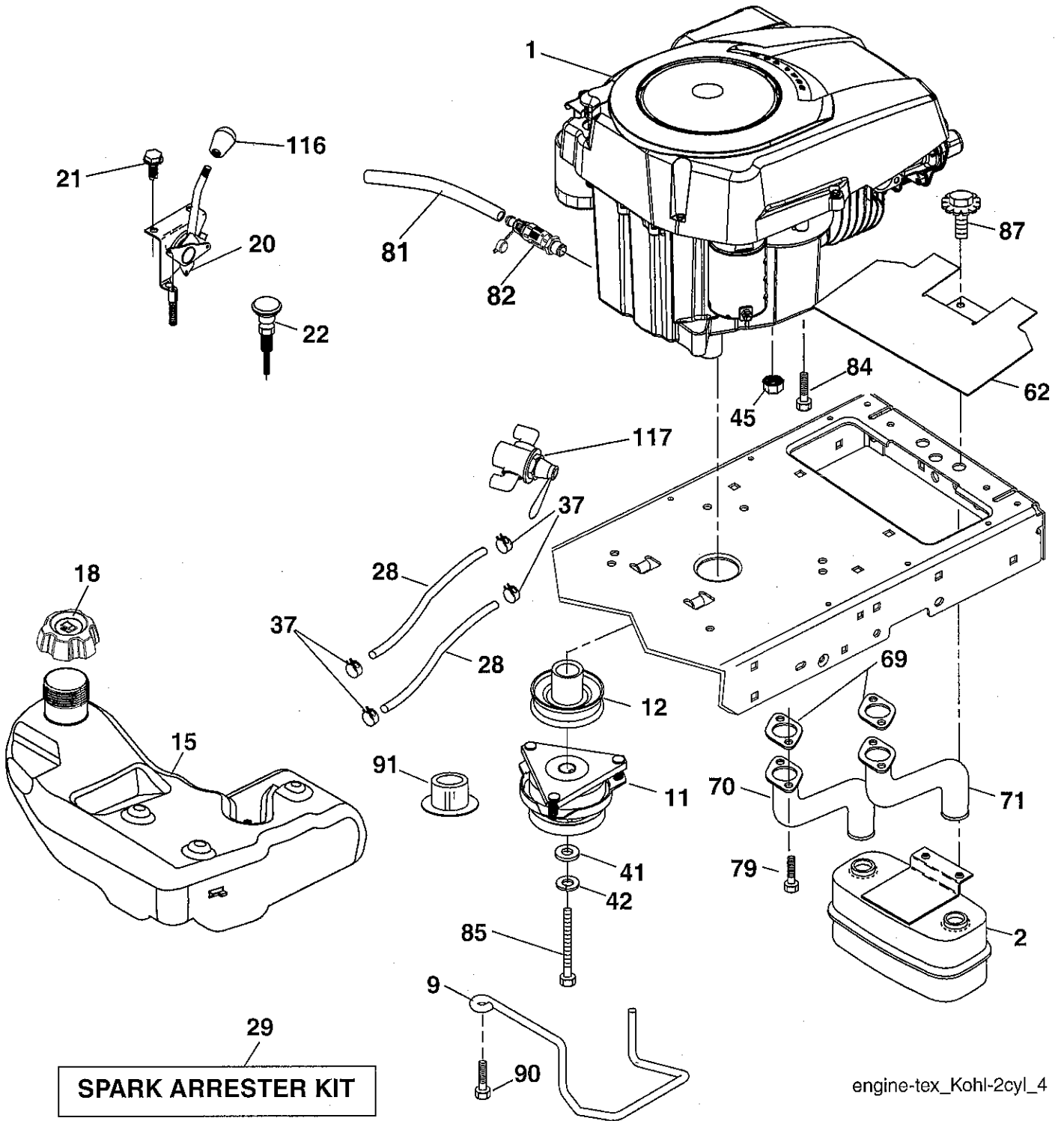
GROUND DRIVE

KEY NO.	PART NO.	DESCRIPTION	KEY NO.	PART NO.	DESCRIPTION
1	420331	Transaxle, Hydro Gear G7-BCBB-1XDC-1FCA (See Transaxle Breakdown)	153	4497H	Retainer Spring
2	7070E	Key 1/4 x 2.5	159	76020412	Pin Cotter 1/8 x 3/4
3	7563R	Washer Thrust Axle Hardened	160	169484	Retainer Clip
7	199837	Hub Asm. Wheel	161	105709X	Spring, Return, Clutch
9	140080	Bolt Hub Wheel	163	418185	Rod Pedal Control
15	19131316	Washer 13/32 x 13/16 x 16 Ga.	166	429164	Nut Push .625
17	197296	Spring, Brake	167	405257	Latch Brake Parking
26	199679	Spring Return Cruise	184	196439X667	Handle Parking Brake
29	418186	Rod, Brake	186	194321	Spacer Retainer
33	12000053	Ring E	187	19133210	Washer
35	435486	Rod, Brake, Park	188	194323	Link Clutch Ground Drive
42	8883R	Cover, Foot Pedal	189	407504	Bellcrank Ground Drive
48	72110612	Bolt Carr Sh 3/8-16 x 1-1/2 Gr. 5	190	407505	Keeper Bellcrank Ground Drive
49	72110614	Bolt	196	17000616	Screw 3/8-16 x 1
50	194327	Pulley Idler Flat	197	199769	Bracket Clutch Anti-Rotation
51	73900600	Lock Nut 3/8-16	203	19111116	Washer 11/32 x 11/16 x 16 Ga.
52	194326	Idler V-Groove 910" Offset	206	197867	Bracket Mount Latch Cruise
56	420807	V-Belt, Drive	207	197868	Latch Control Cruise
64	197865	Shaft Asm. Pedal Brake Control	208	197869	Gear Sector Control Cruise
69	123800X	Washer 1-1/32 x 1-5/8 x 16 Ga.	209	199592	Rod Control Cruise
73	74490548	Bolt Hex 5/16-18 x 3 Gr. 5	210	197860	Rocker Asm. Pedal Control
74	142432	Screw 1/4 x 1/2	211	120183X	Bearing Nylon
80	418184	Strap Torque	213	196441X428	Knob Control Cruise
92	74760520	Bolt 5/16-18 x 1/2	214	421263	Pedal Forward
99	418188	Spring Bypass	215	197301X428	Pedal Reverse
114	73800500	Nut Lock Hex W/Ins. 5/16-18 unc	221	403187	Retainer Spring Clip Handle
116	73900500	Nut Lock Hex Flange 5/16-18	222	79212010	Washer 21/32 x 1-1/4 x 10 Ga.
121	175611	Bracket Strap Torque	224	193099X428	Console Toolbox
122	72010520	Bolt 5/16-18 x 2.50	306	76020416	Pin Cotter
125	17000512	Screw 5/16-18 x 3/4			
145	163168	Washer Axle Flange			

NOTE: All component dimensions given in U.S. inches
1 inch = 25.4 mm

TRACTOR - - MODEL NUMBER 917.253712

ENGINE



engine-tex_Kohl-2cyl_4

TRACTOR - - MODEL NUMBER 917.253712

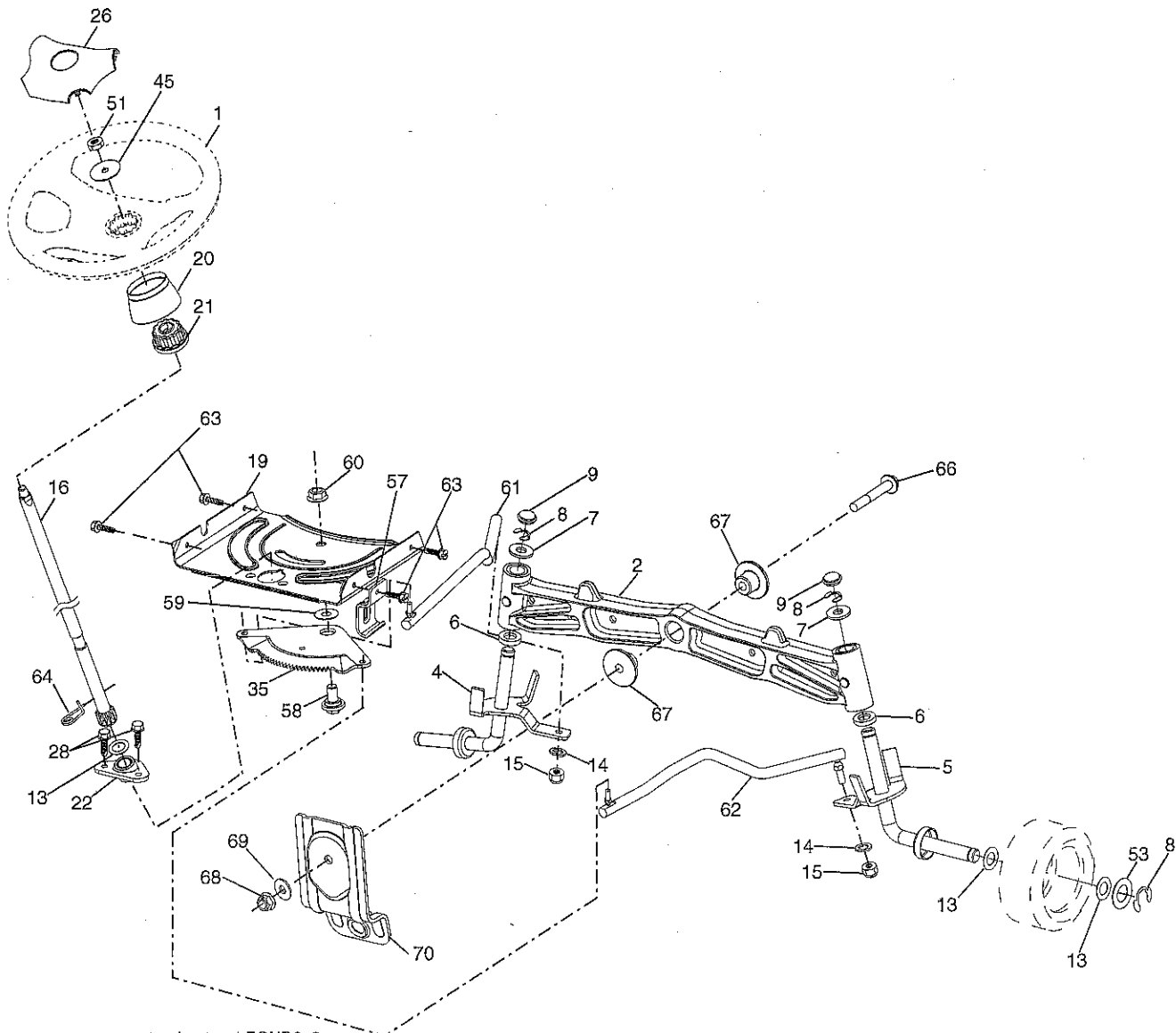
ENGINE

KEY NO.	PART NO.	DESCRIPTION
1	438354	Engine Kohler Model No. SV735 -3019 (See Engine Breakdown)
2	149723	Muffler
9	408667	Keeper Belt Engine
11	179335	Clutch Electric
12	194343	Pulley Engine
15	422804	Tank Fuel 4.0
18	430218	Cap Asm
20	426184	Control Throttle
21	416358	Screw 10 x .750 BOS Thread
22	187767X428	Control Choke
28	8543R	Fuel Line
29	137180	Spark Arrester Kit
37	123487X	Clamp Hose
41	126197X	Washer 1-1/2 OD x 15/32 ID x .250
42	10040700	Washer Lock 7/16
45	73510400	Nut Keps Hex 1/4-20 unc
62	434017	Shield Heat Muffler
69	-----	Gasket (Order from Eng. Mfgr.)
70	146699	Tube Exhaust LH
71	146700	Tube Exhaust RH
79	192334	Screw 5/16-18 x 3/4
81	148456	Tube Drain Oil Easy
82	428287	Valve Drain Oil
84	17120616	Screw 3/8-16 x 1
85	179953	Bolt Hex 7/16-20 x 3.75 Gr. 5
87	198239	Bolt 5/16-18 unc x 1 w/Sems
90	17000616	Screw 3/8-16 x 1
91	187495	Bushing
116	423109X659	Knob Oval Tapered 3/8-16
117	420828	Value Fuel Reserve

NOTE: All component dimensions given in U.S. inches
1 inch = 25.4 mm

TRACTOR - - MODEL NUMBER 917.253712

STEERING ASSEMBLY



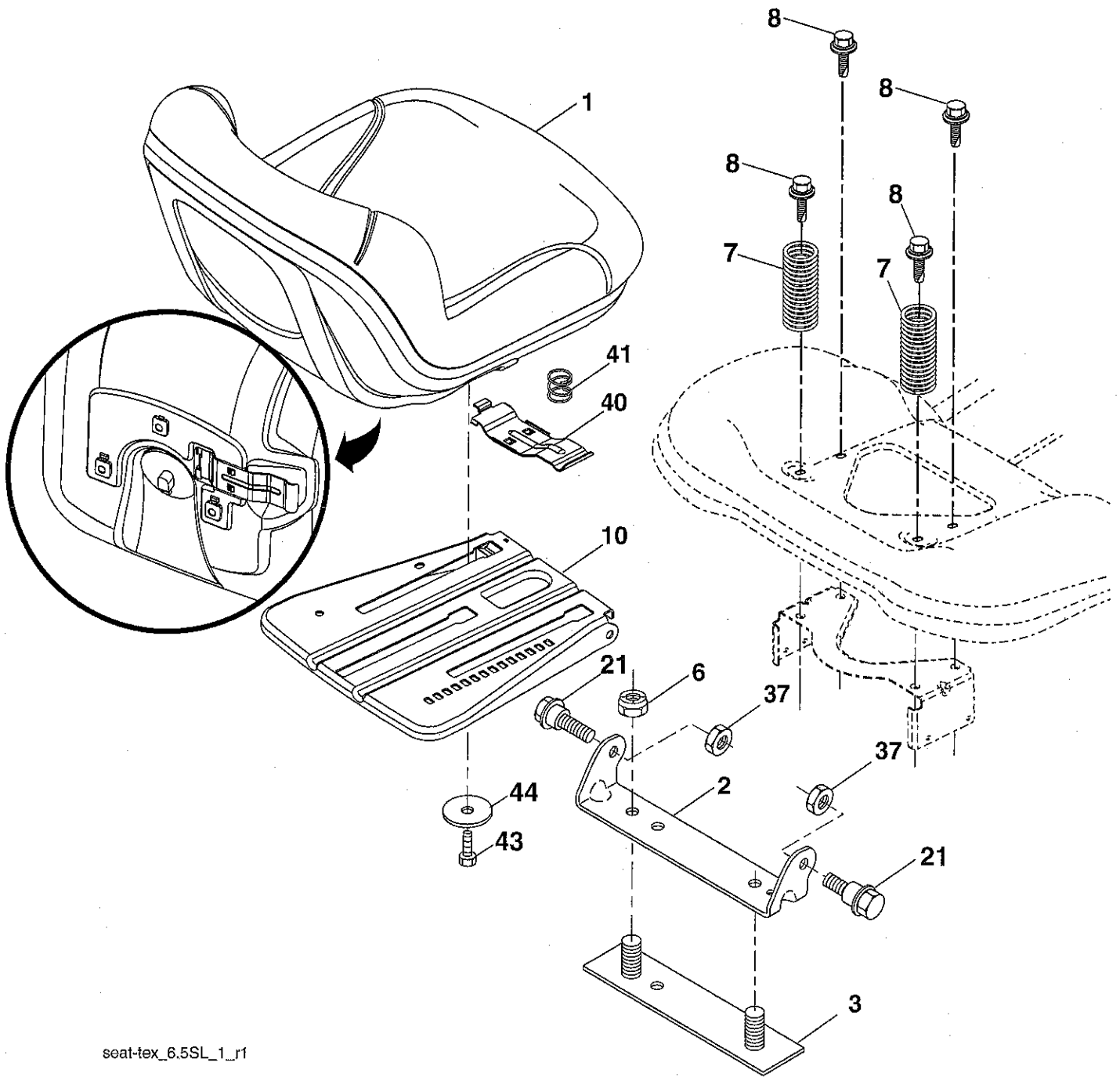
steering-tex_LEGND2_6

KEY NO.	PART NO.	DESCRIPTION	KEY NO.	PART NO.	DESCRIPTION
1	414851X659	Wheel, Steering	51	73940800	Nut Hex Jam Toplock 1/2-20 unf
2	195968	Axle Asm., Front	53	188967	Washer Hardened .793 x 1.637 x .060
4	403089	Spindle Asm., LH	57	197246	Bracket Upstop
5	403090	Spindle Asm., RH	58	194747	Bolt Shoulder Sector Pivot CFM
6	6266H	Bearing, Race Thrust Harden	59	194748	Washer Thrust Sector Steering
7	121748X	Washer 25/32 x 1-5/8 x 16 Ga.	60	73971000	Nut Flange Lock 5/8-11
8	1200029	Ring, Clip #T5304-75	61	194740	Draglink, LH
9	184946X667	Cap, Spindle	62	194741	Draglink, RH
13	121749X	Washer 25/32 x 1-1/4 x 16 Ga.	63	17000512	Screw 5/16-18 x 3/4
14	STD551137	Washer Lock Hvy Hlcl Spr 3/8	64	199849	Retainer Clip Spring Steering
15	73540600	Nut, Crown Lock 3/8-24 unf	66	71020748	Bolt Hex Fghd 7/16-14 x 3 Serr
16	194746	Shaft Steering	67	194737	Bushing PM Front Axle
19	194729	Plate Steering	68	73900700	Nut Lock Flange 7/16-14 Gr. 5
20	199676X428	Boot, Steering	69	199162	Washer 1.5 x .505 x .118
21	186737	Adapter, Wheel Steering	70	196197	Bracket Deck Susp. Front
22	420537	Support Strg. Lower			
26	414852X659	Insert, Wheel Steering			
28	17000612	Screw 3/8-16 x 3/4			
35	194732	Gear, Sector Plate			
45	19183812	Washer 9/16 x 2-3/8 x 12 Ga.			

NOTE: All component dimensions give in U.S. inches
1 inch = 25.4 mm

TRACTOR -- MODEL NUMBER 917.253712

SEAT ASSEMBLY



seat-tex_6.5SL_1_r1

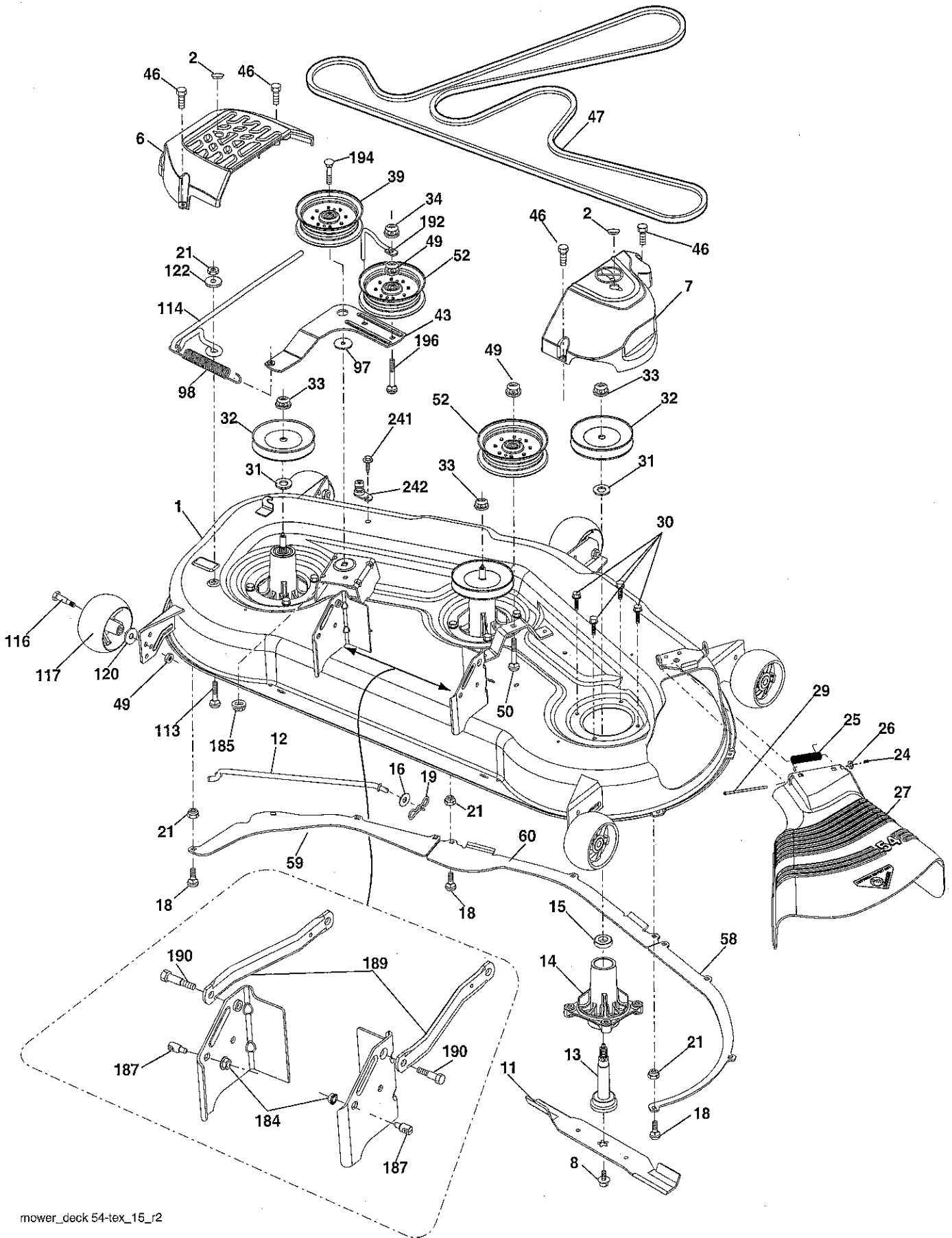
KEY NO.	PART NO.	DESCRIPTION
1	423810	Seat
2	180166	Bracket Pivot Fender
3	140675	Strap, Asm Fender
6	STD541437	Nut, Lock w/Ins. 3/8-16 unc
7	124181X	Spring, Seat Cprsn
8	171877	Bolt 5/16-18 unc x 3/4 w/Sems
10	196977	Pan, Seat
21	171852	Bolt, Shoulder 5/16-18
37	STD541431	Nut, Lock 5/16-18 unc

KEY NO.	PART NO.	DESCRIPTION
40	197661	Handle Slide Seat
41	198200	Spring Latch Seat
43	74760612	Bolt 3/8-16 unc x 3/4
44	19133812	Washer 13/32 x 2-3/8 x 12 Ga.

NOTE: All component dimensions give in U.S. inches
1 inch = 25.4 mm

TRACTOR - - MODEL NUMBER 917.253712

MOWER DECK



TRACTOR - - MODEL NUMBER 917.253712

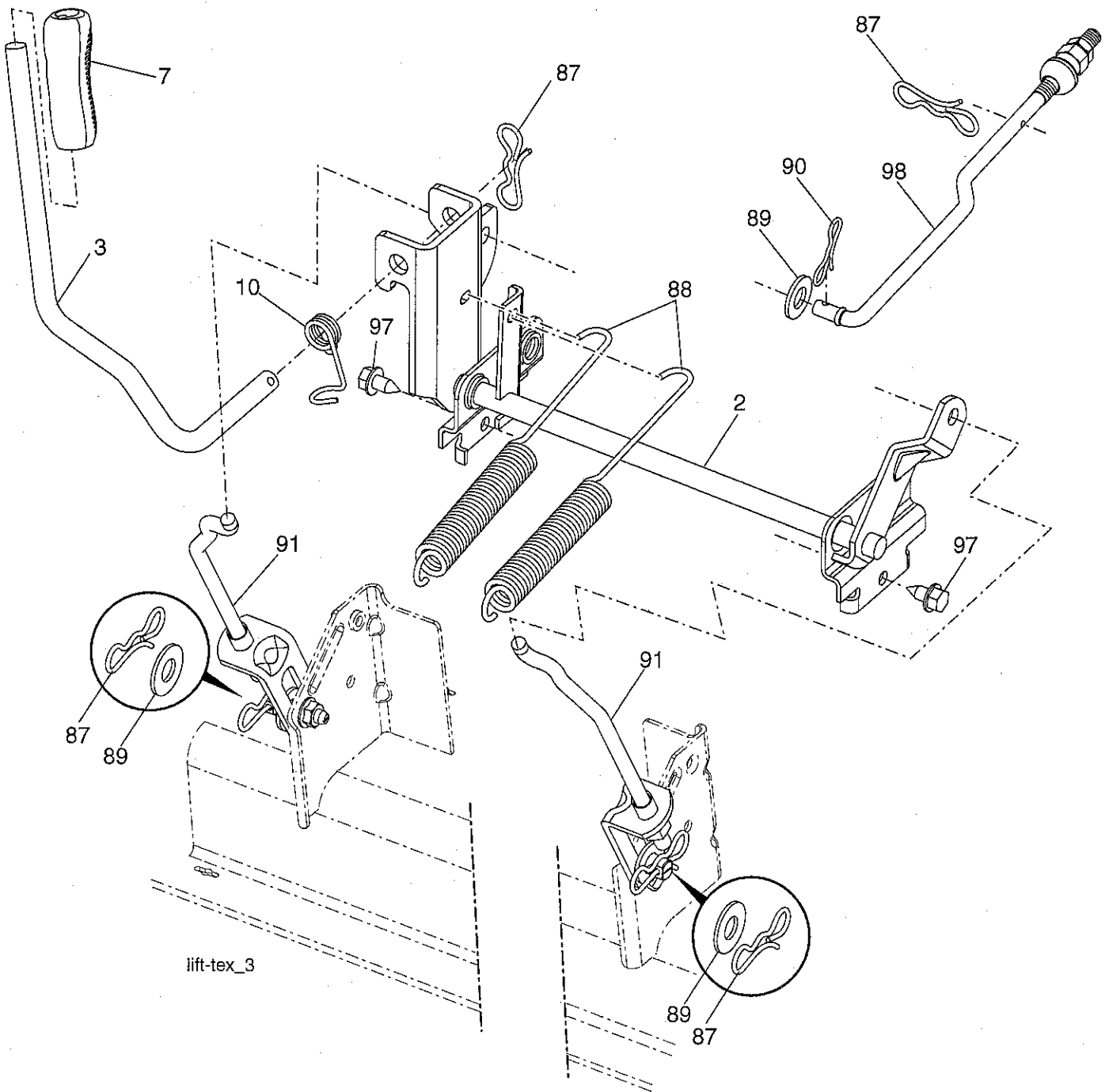
MOWER DECK

KEY NO.	PART NO.	DESCRIPTION	KEY NO.	PART NO.	DESCRIPTION
1	195632X613	Deck Weldment Mower	58	187342	Baffle Right
2	178345	Plug Hole Mandrel	59	187344	Baffle Left
6	196066	Cover Mandrel LH	60	187607	Baffle Center
7	197181	Cover Mandrel RH	97	178515	Washer Hardened
8	193003	Bolt/Washer Asm. 7/16-20 unf	98	196105	Spring Drive
11	187256	Blade Bagging	113	72110508	Bolt Rdhd Sqnk 5/16-18 x 3/4
12	400337	Rod Anti Sway	114	187556	Rod Tension Relief
13	187291	Shaft Asm. w/Lower Bearing	116	193406	Bolt, Shoulder
14	187281	Housing, Mandrel	117	174873	Gauge Wheel
15	110485X	Bearing, Ball, Mandrel	120	19132012	Washer 13/32 x 1-1/4 x 12 Ga.
16	19131312	Washer 13/32 x 13/16 x 12 Ga.	122	187557	Bushing Tension Relief
18	72140505	Bolt RdHd 5/16-18 unc x 5/8	184	73900500	Nut Lock Flange 5/16-18
19	194208	Pin Cotter 5/16 Bow Tie Lock	185	73900700	Nut Lock Flange 7/16-14 Gr. 5
21	73680500	Nut, Crownlock 5/16-18 unc	187	195161	Stud Fastener w/"D" Anti-Rotation
24	105304X	Cap Sleeve	189	195185	Arm Susp. Mower Rear
25	178102	Spring, Torsion	190	196539	Bolt Shoulder
26	110452X	Nut, Push	192	198468	Keeper Belt Idler
27	187257X428	Deflector Shield	194	74490736	Bolt Hex Washer Head
29	131491	Rod, Hinge	196	72140620	Bolt RdHd 3/8-16 unc x 2-1/2 Gr. 5
30	173984	Screw, Thdroll Washer Head	241	152927	Screw
31	187690	Spacer Mandrel	242	415598	Washout Port
32	153535	Pulley, Mandrel	--	187292	Mandrel Asm. Service (Includes Key Nos. 13-15 and 33)
33	400234	Nut, Flg. Top Lock	--	427610	Replacement Mower, Complete
34	73680600	Nut			
39	197380	Pulley, Idler			
43	196065	Arm, Idler			
46	137729	Screw, Thdroll. 1/4-20 x 5/8			
47	196103	V-Belt, Mower			
49	73900600	Nut, Lock Flg. 3/8-16 unc			
50	72110616	Bolt, Carr. 3/8-16 x 2			
52	197379	Pulley Idler			

NOTE: All component dimensions given in U.S. inches
1 inch = 25.4 mm

TRACTOR -- MODEL NUMBER 917.253712

LIFT ASSEMBLY



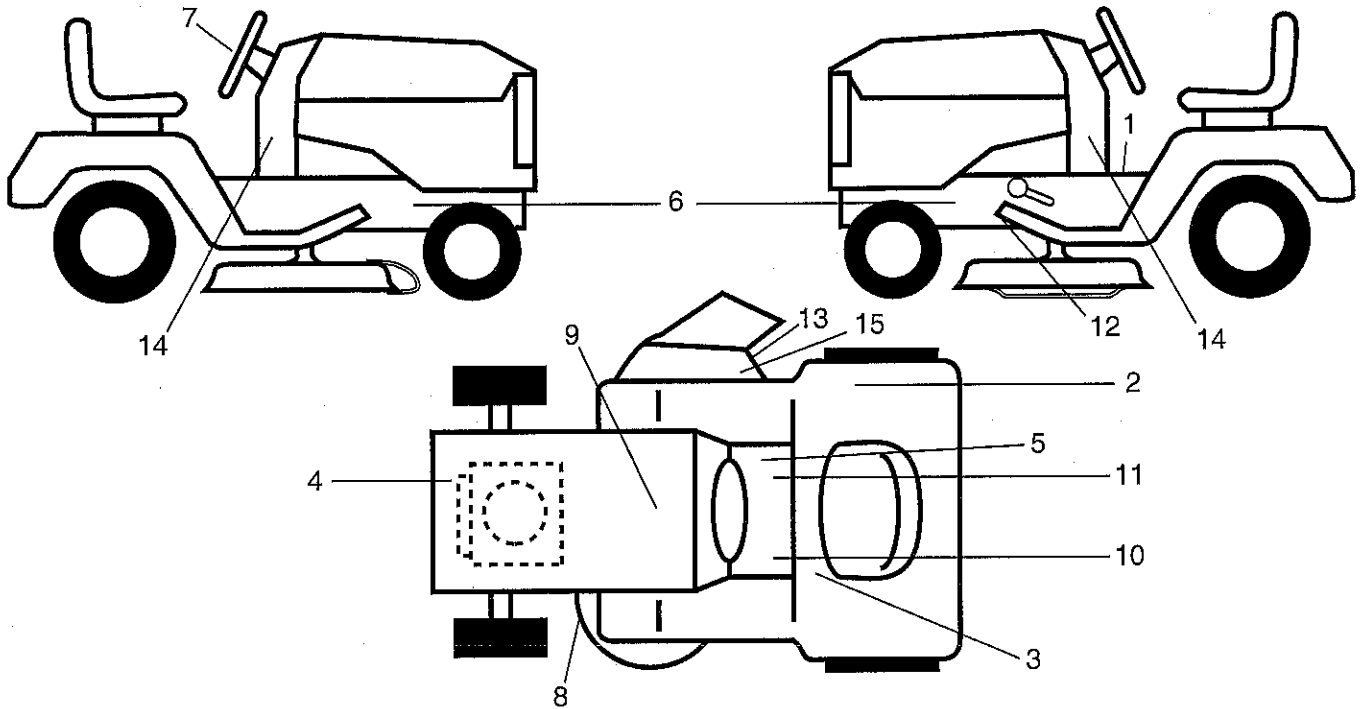
KEY NO.	PART NO.	DESCRIPTION
2	422027	Shaft Asm., Lift
3	195230	Lever Asm., Lift RH
7	196492X428	Grip, Lever
10	196314	Spring Torsion
87	194209	Pin Cotter 7/16 Bow Tie Lock
88	195304	Spring Lift Assist
89	19191912	Washer Clear Zinc
90	194208	Pin Cotter 5/16 Bow Tie Lock

KEY NO.	PART NO.	DESCRIPTION
91	403407	Link Lift Asm. Rear
97	17000612	Screw 3/8-16 x .75 R.Z
98	195264	Link Asm. Susp. Front Mower

NOTE: All component dimensions give in U.S. inches
1 inch = 25.4 mm

TRACTOR -- MODEL NUMBER 917.253712

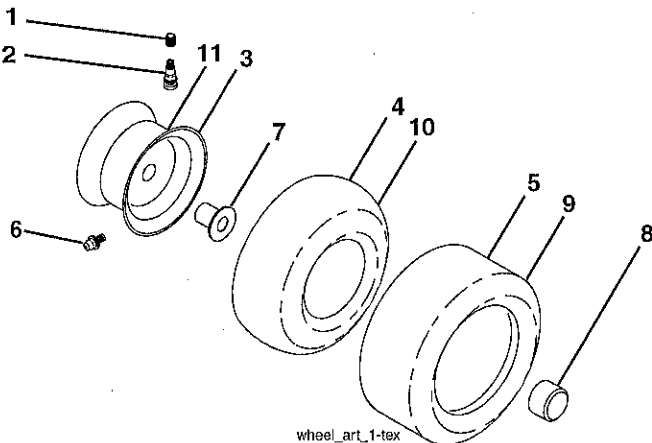
DECALS



KEY NO.	PART NO.	DESCRIPTION
1	400389	Decal, Oper./Warng
2	180433	Decal, Fender 100 DB/CE
3	426209	Decal, Warn. Reserve Fuel
4	196841	Decal, Warning Engine Symbols
5	178302	Decal, Operator Cruise Symbols
6	159736	Decal, Chassis Hot Muffler
7	422885	Decal, Steering
8	198785	Decal, Mower Schematic
9	145005	Decal, Battery Dnge/Poi
10	159737	Decal, Brake/Clutch Symbol
11	140837	Decal, Saddle Brake Parking
12	421534	Decal, Mower V-Belt Schematic
13	182166	Decal, Cutfinger CE

KEY NO.	PART NO.	DESCRIPTION
14	426193	Decal, Dash Lower
15	196357	Decal, Deflector Wrn Cutfinger Symbol
--	166960	Decal Bypass
--	162598	Decal Drawbar Load Limit
--	193279X428	Pad Footrest RH
--	193101X428	Pad Footrest LH
--	427593	Manual, Operator's (Euro)
--	427594	Manual, Operator's (Scand)
--	427595	Manual, Operator's (E-Bloc)
--	427596	Manual, Operator's (Baltic)
--	442512	Manual, Parts

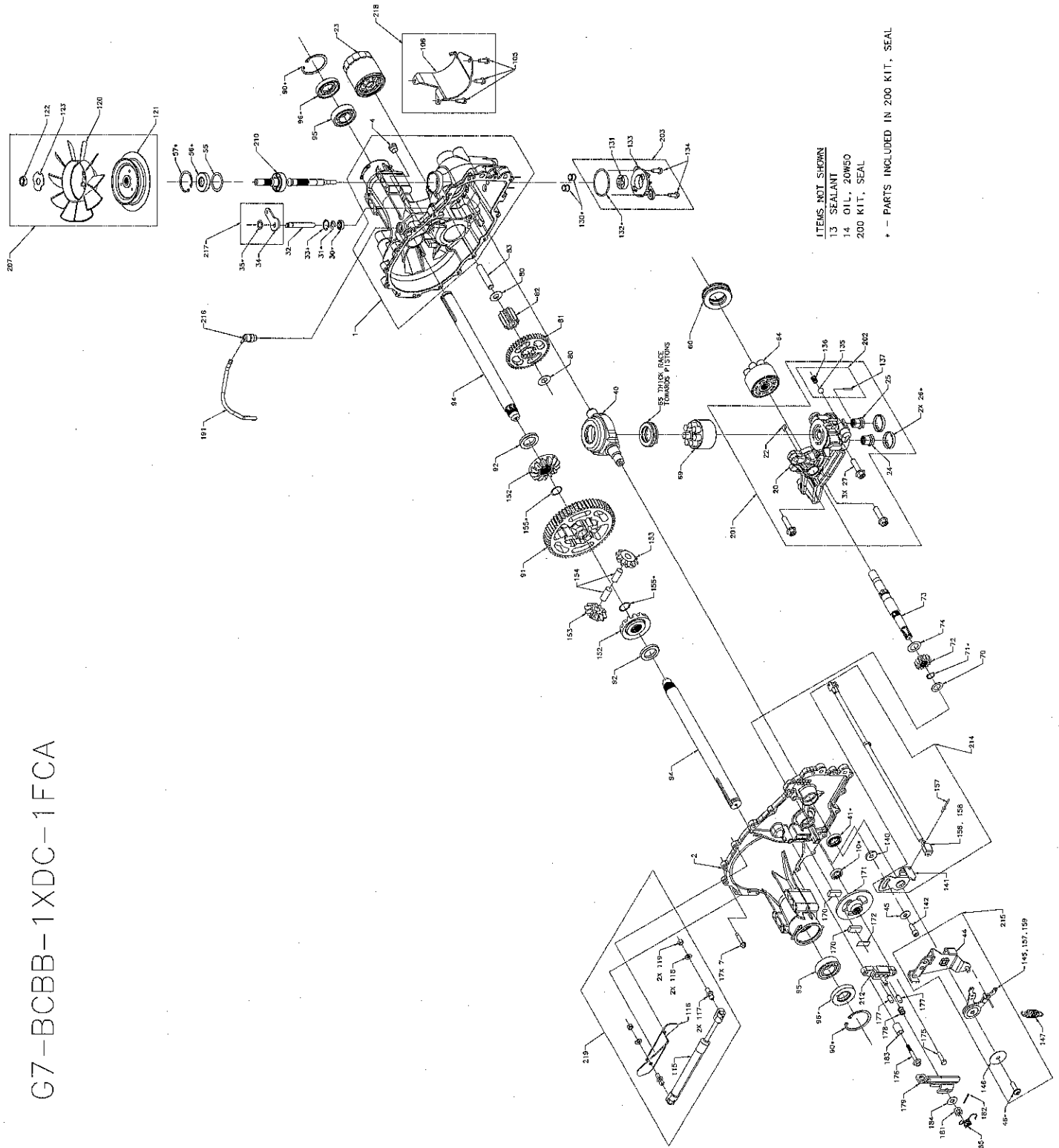
WHEELS & TIRES



KEY NO.	PART NO.	DESCRIPTION
1	59192	Cap, Valve, Tire
2	65139	Stem, Valve
3	148736X613	Rim Assembly, Front
4	8134H	Tube, Front (Service Item Only)
5	106230X	Tire, Front
6	278H	Fitting, Grease (Front Wheel Only)
7	9040H	Bearing, Flange (Front Wheel Only)
8	104757X428	Cap, Axle
9	105588X	Tire, Rear
10	7154J	Tube, Rear (Service Item Only)
11	106277X613	Rim Assembly, Rear
--	144334	Sealant, Tire (10 oz. Tube)

NOTE: All component dimensions give in U.S. inches
1 inch = 25.4 mm

TRACTOR - - MODEL NUMBER 917.253712
HYDRO GEAR TRANSAXLE - - MODEL NUMBER G7-BCBB-1XDC-1FCA



ITEMS NOT SHOWN
 13 SEALANT
 14 OIL ZONGO
 200 KIT, SEAL

* - PARTS INCLUDED IN 200 KIT, SEAL

G7-BCBB-1XDC-1FCA

TRACTOR - - MODEL NUMBER 917.253712

HYDRO GEAR TRANSAXLE - - MODEL NUMBER G7-BCBB-1XDC-1FCA

KEY NO.	PART NO.	DESCRIPTION	KEY NO.	PART NO.	DESCRIPTION
1	421183 (4)	Kit, Housing Main Plug 9/16-18 (Metal) Housing, Main Pin, .25 X .375 Bushing, .624 X .719 X .562 Bushing, .865 X .985 X .790 Bearing, Flange 1.0 X 1.376 X .99	140	421210	SpacEr, .320 X 1.005 X .179
2	421184	Kit, Housing, Side Housing, Side Bushing, .624 X .729 X .562 Bushing, .865 X .985 .790 Bearing, Flange 1.0 X 1.376 X .99	142	421211	Shcs 5/16-24 X 1 Patch
4	170434	Plug 9/16-18 (Metal)	147	421212	Spring, Extention Rtn-44 Lbs
7	170356	Hfhcs 1/4-20 X 1.25"	152	421213	Gear, Bevel 14t Spline Id
10	417764	Seal, Lip .625 X 1.0	153	421214	Gear, Bevel 10t
13	178322	Tube, Sealant	154	421215	Pin, .499 X 1.20
14		Oil, 20w50	155	421216	Ring, Spiral Ret .875
22	421185	Plate, Bypass	170	142883	Puck, Brake
23	421186	Filter, Oil	171	421217	Rotor, Brake
26	421187	Seal, Plug 1.250 X .250	172	142882	Plate, Puck
27	421188	Hfhcs 3/8-16 X 1.5 (Patch)	175	142892	Bolt, Hex Head 1/4-20 X 1 w/Patch
30	421189	Seal, Lip .375 X .75 X .25	176	170410	Bolt, Hex Head 1/4-20 X 2 w/Patch
31	421190	Ring, Retaining .375 External	177	170409	Pin, Brk .31 X .73 Plated
32	421191	Rod, Bypass	178	170417	Spring, Comp Brake Anti-Drag
33	421192	Ring, Retaining .750 Internal	179	178330	Arm, Brake
35	421193	Retaining Ring	181	170415	Nut, Castle 5/16-24 Pl
40	170354	Trunnion, Swashplate	182	170416	Pin, Cotter 3/32 X 3/4
41	170363	Seal, Lip 18 X 32 X 7	183	170411	Spacer, .26 X .57 X .87
45	142884	Washer, .24 X .88 X .06	184	142884	Washer, .27 X .88 X .12
46	421194	Twhcs 5/16-24 X 1.00 (Patch)	185	178335	Spring, Brake Arm Bias
55	170360	Washer, 1.23 X 1.56 X .04	191	421218	Tube .16 X .28 X 9.25
56	170361	Seal, Lip 17 X 40 X 7	200	421219	Kit, Seal Pin .25 X .375
57	169870	Ring, Retaining 1.575 Internal	(10)		Seal, Lip .625 X 1.0
60	421195	Bearing, Thrust	(26)		Seal, Plug 1.250 X .250
64	421196	Assembly, Block, Block Spring Seat Washer Piston	(30)		Seal, Lip .375 X .75 X .25
65	173159	Bearing, Thrust Ball 30 X 52 X 13	(31)		Ring, Retaining .375 External
69	421197	Assembly, Block, Block Spring Seat Washer, Piston	(33)		Ring, Retaining .750 Internal
70	170404	Washer, .63 X 1.0 X .05	(35)		Ring, Retaining .375 External
71	170405	Ring, Retaining .625 External	(41)		Seal, Lip 18 X 32 X 7
72	421198	Gear, 14t	(46)		Twhcs 5/16-24 X 1.00 (Patch)
73	421199	Shaft, Motor	(56)		Seal, Lip 17 X 40 X 7
74	170433	Washer, .72 X 1.16 X .04	(57)		Ring, Retaining 1.575 Internal
80	170418	Washer, .5 X 1.0 X .03	(71)		Ring, Retaining .625 External
81	421200	Gear, 45t	(90)		Ring, Retaining 2.06 Internal
82	421201	Gear, 11t	(96)		Seal, Lip 25 X 52 X 10 Tc (Gray)
83	170394	Pin, Jackshaft	(130)		Tube, Connecting
90	169539	Ring, Retaining 2.06 Internal	(132)		O-Ring, -.137, .103 X 2.050
91	421202	Gear, 60t	(155)		Ring, Spiral Ret .875
92	421203	Spacer, 1.04 X 1.65 X .22	201	421220	Kit, Center Section, Lh, Chrg
94	421204	Shaft, Axle 1.00 X 14.48, Keyed	20		Center Section, Lh, Chrg
95	169535	Bearing, Ball 1.0 X 52 X 15	(22)		Plate, Bypass
96	161157	Seal, Lip 25 X 52 X 10 Tc (Gray)	24		Check Plug
120	421205	Fan, Recess 7.0 (10 Blade)	25		Check Plug
121	422126	Pulley 3.86 Inch	(26)		Seal, Plug 1.250 X .250
122	150794	Hex Lock Nut 1/2-20 (With Patch)	(27)		Hfhcs 3/8-16 X 1.5 (Patch) Brg, Jrnl
123	199658	Washer, Slotted	135		Ball, Steel 7/16"
130	421207	Tube, Connecting	136		Spring, Relief .42 X .75
131	169531	Geroter Assembly (1.9cc/Rev)	137		Pin, Spring .125 X .875
132	421208	O-Ring, -.137, .103 X 2.050	202	421221	Kit, Charge Relief
133	421209	Cover, Charge Pump	135		Ball Steel 7/16"
134	178343	Screw, Hex Flange 1/4-20 X .75	136		Spring, Relief .42 X .75
			137		Pin, Spring .125 X .875
			203	421222	Kit, Charge
			(131)		Geroter Assembly (1.9cc/Rev)
			(132)		O-Ring 137 .103 X 2.050
			(133)		Cover, Charge Pump
			(134)		Screw, Hex Flange 1/4-20 X .75
			207	422128	Kit, Fan/Pulley
			(120)		Fan Recess 7.0 (10 Blade)
			(121)		Pulley 3.86 Inch
			(122)		Hex Lock Nut 1/2-20 (With Patch)
			(123)		Washer, Slotted

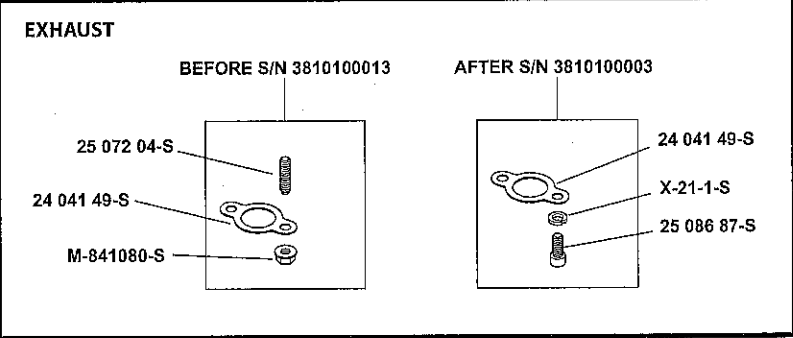
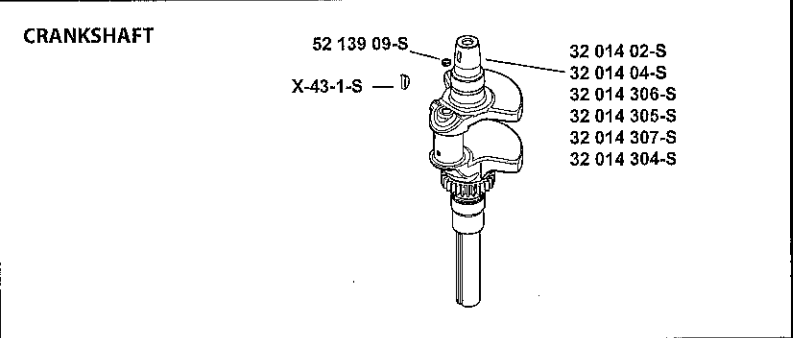
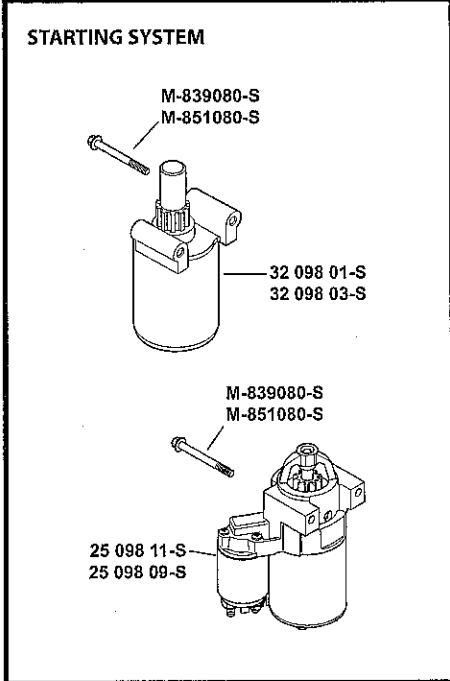
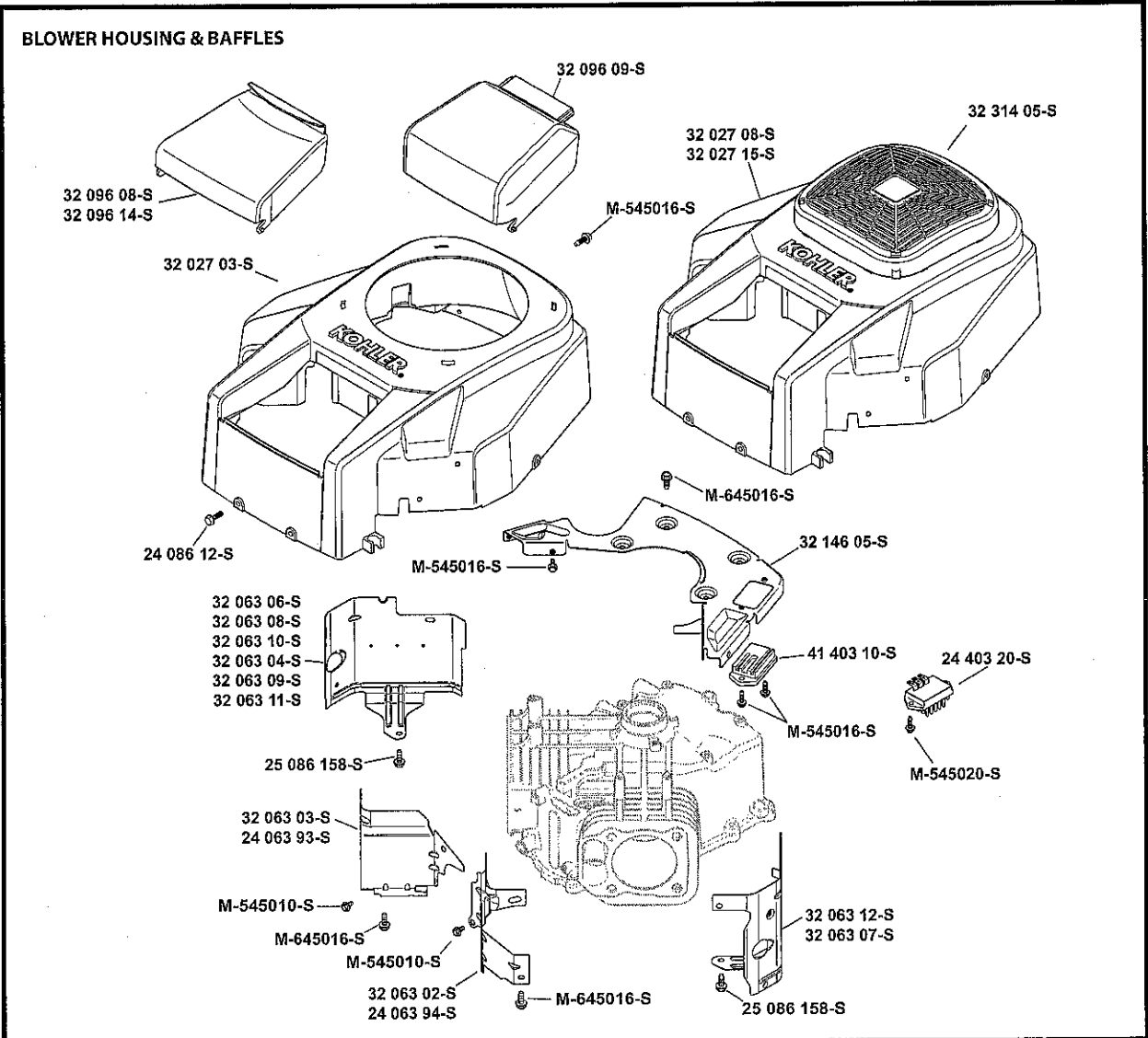
TRACTOR - - MODEL NUMBER 917.253712
HYDRO GEAR TRANSAXLE - - MODEL NUMBER G7-BCBB-1XDC-1FCA

KEY NO.	PART NO.	DESCRIPTION
210	421224	Kit, Input Shaft, Shaft, Input Brg, Ball 17 X 40 X 12 Open 6203 Ring, Ret Wire .561 Id
212	178329	Kit, Brake-Yoke, Bolt, Square Head Brake-Yoke
214	421225	Kit, G700 Ros
	141	Assembly Rtn, Neutral
	156	Retainer, Switch
	157	Rivet, 5/32
	158	Switch, Rcs
215	421226	Kit, G700 Rtn/Ros
	44	Arm, Control
	(46)	Screw, 5/16-18 X 1
	145	Assembly, Rtn
	146	Washer, .343 X 1.500 X .062
	157	Rivet, 5/32
	159	Clip, Actuator
216	421227	Kit, Breather
		Fitting, 9/16 Sae
		Cap, Barbed Vent
217	421228	Kit, Bypass
	34	Bypass Arm
	(35)	Retaining Ring
218	421229	Kit, Filter Guard
	105	Hfhcs 1/4-20 X .75
	106	Guard, Filter, Lh
219	422129	Kit, Damper
	115	Damper
	116	Bracket
	117	Stud, Threaded Ball
	118	Washer, 5/16 Lock
	119	Nut, Hex 5/16-18

() Indicates that part is listed elsewhere and is available as an individual part.

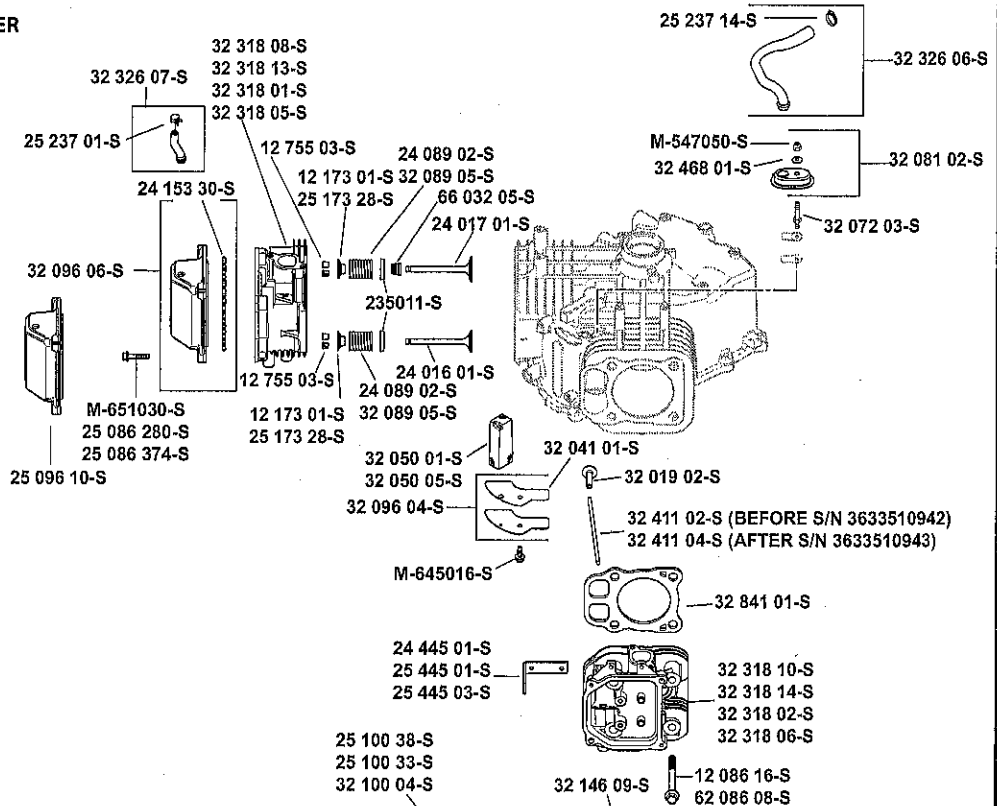
TRACTOR - - MODEL NUMBER 917.253712

KOHLER ENGINE-MODEL NUMBER SV735, TYPE NUMBER 3019

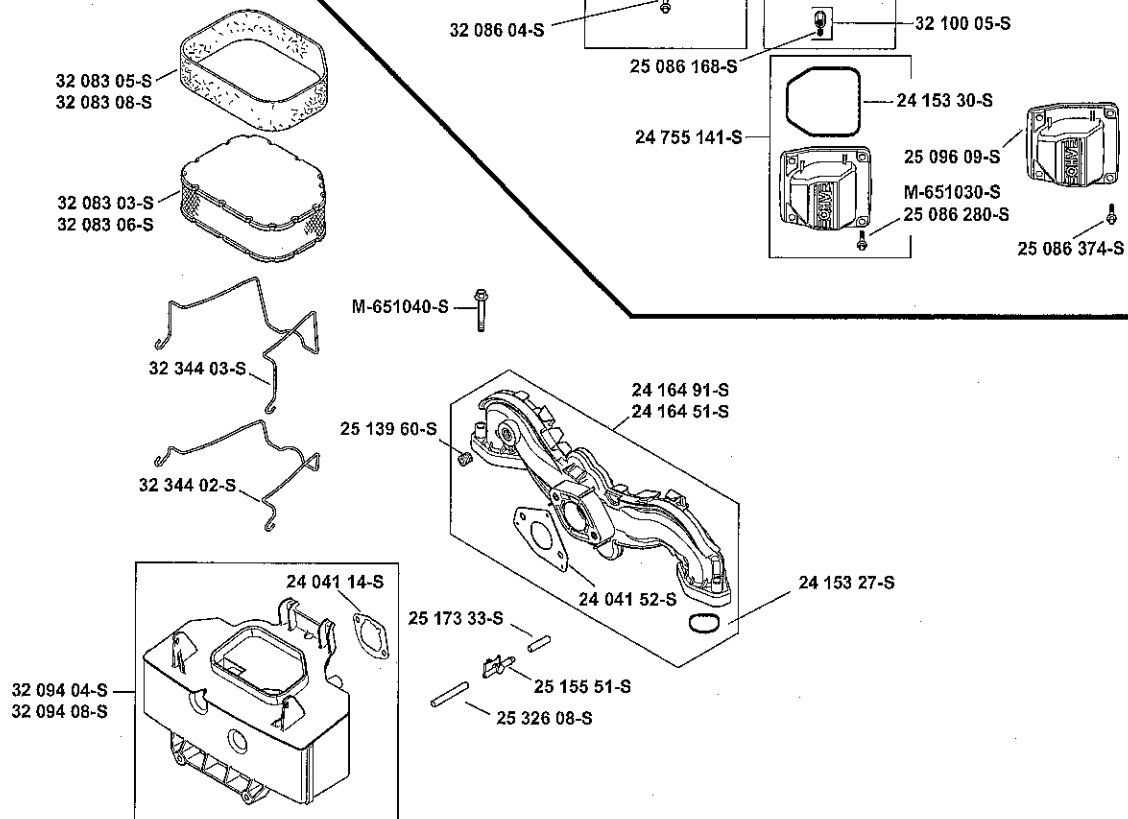


TRACTOR - - MODEL NUMBER 917.253712
KOHLER ENGINE-MODEL NUMBER SV735, TYPE NUMBER 3019

HEAD/VALVE/BREATHER



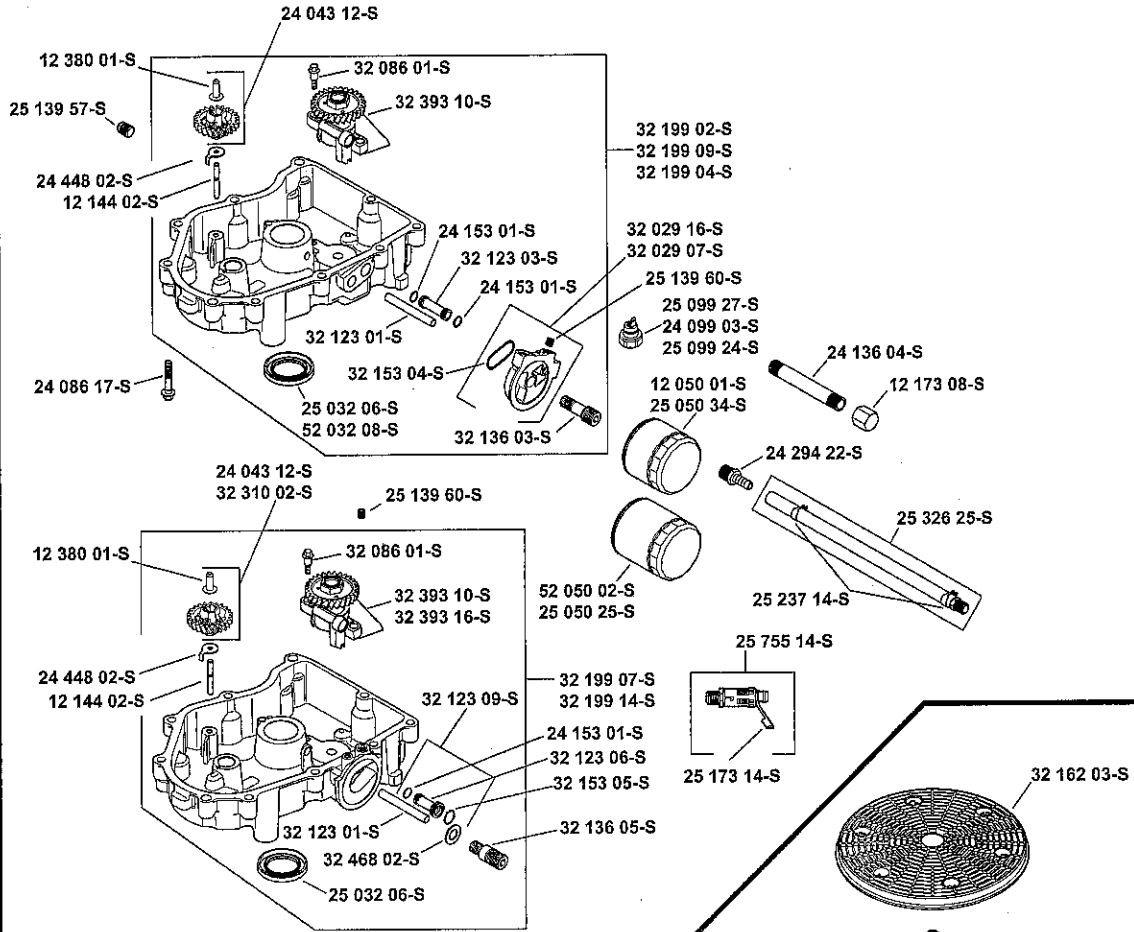
AIR INTAKE/FILTRATION



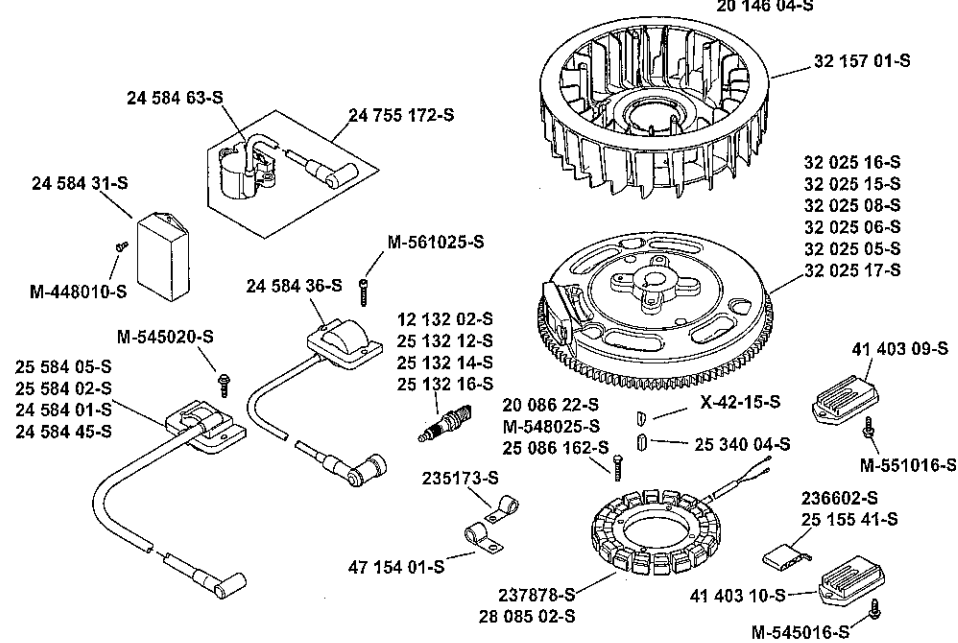
TRACTOR - - MODEL NUMBER 917.253712

KOHLER ENGINE-MODEL NUMBER SV735, TYPE NUMBER 3019

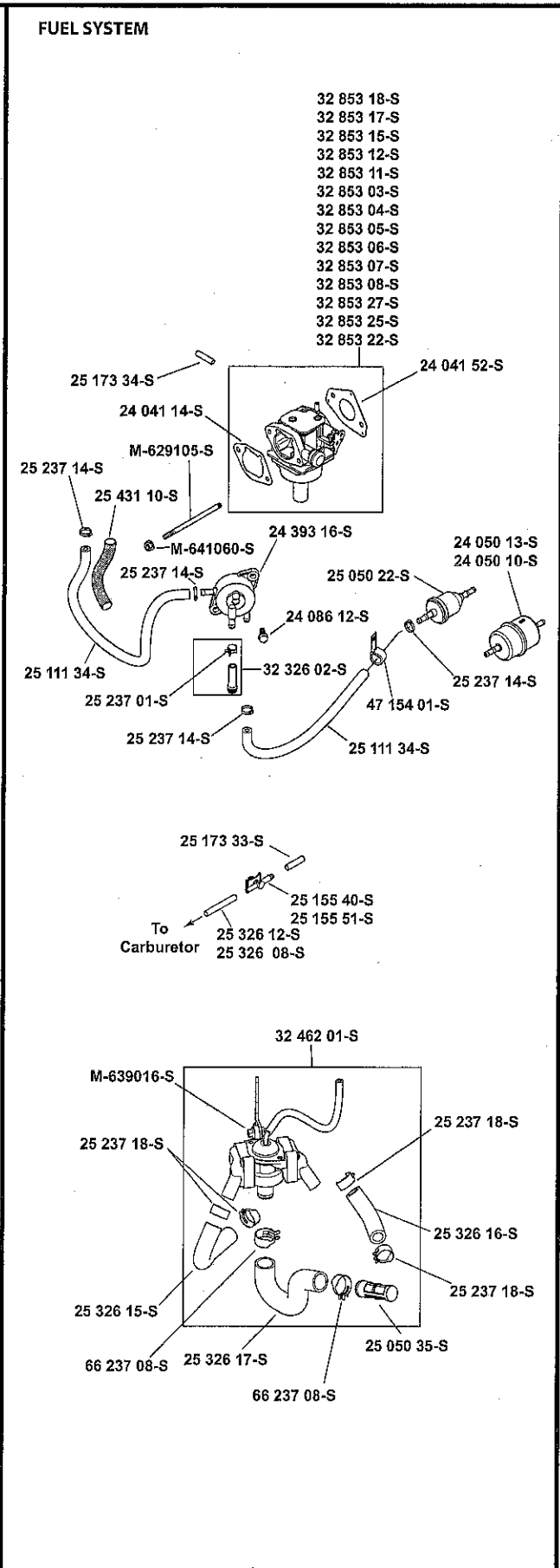
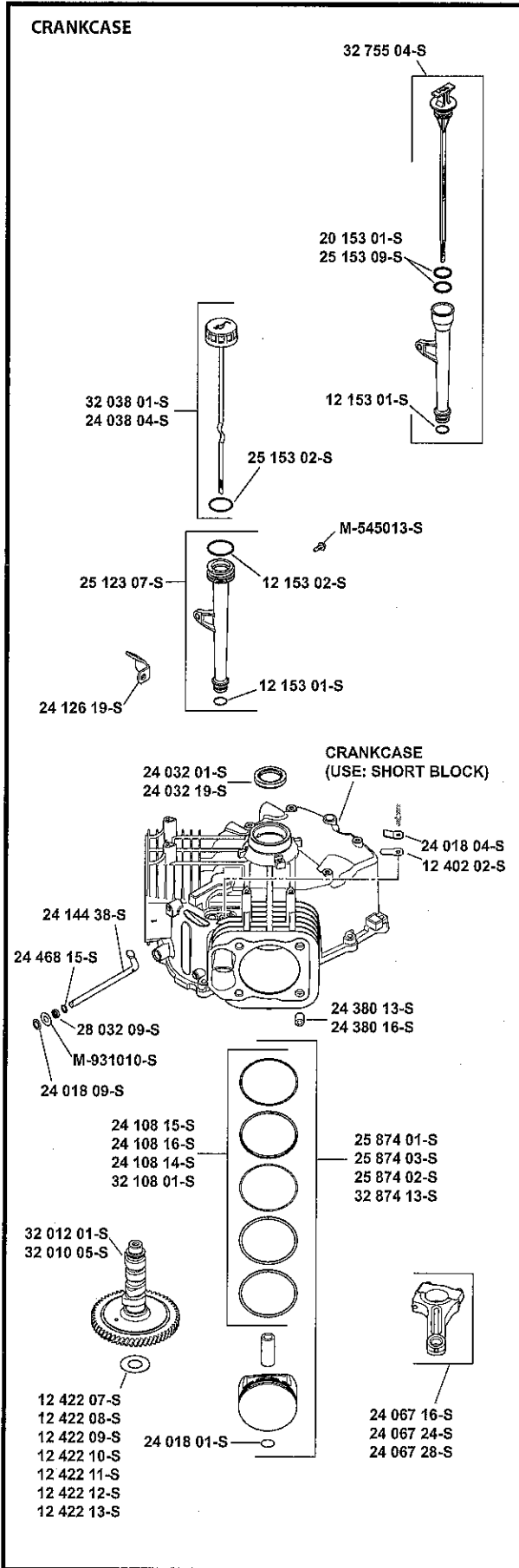
OIL PAN/LUBRICATION



IGNITION/ELECTRICAL



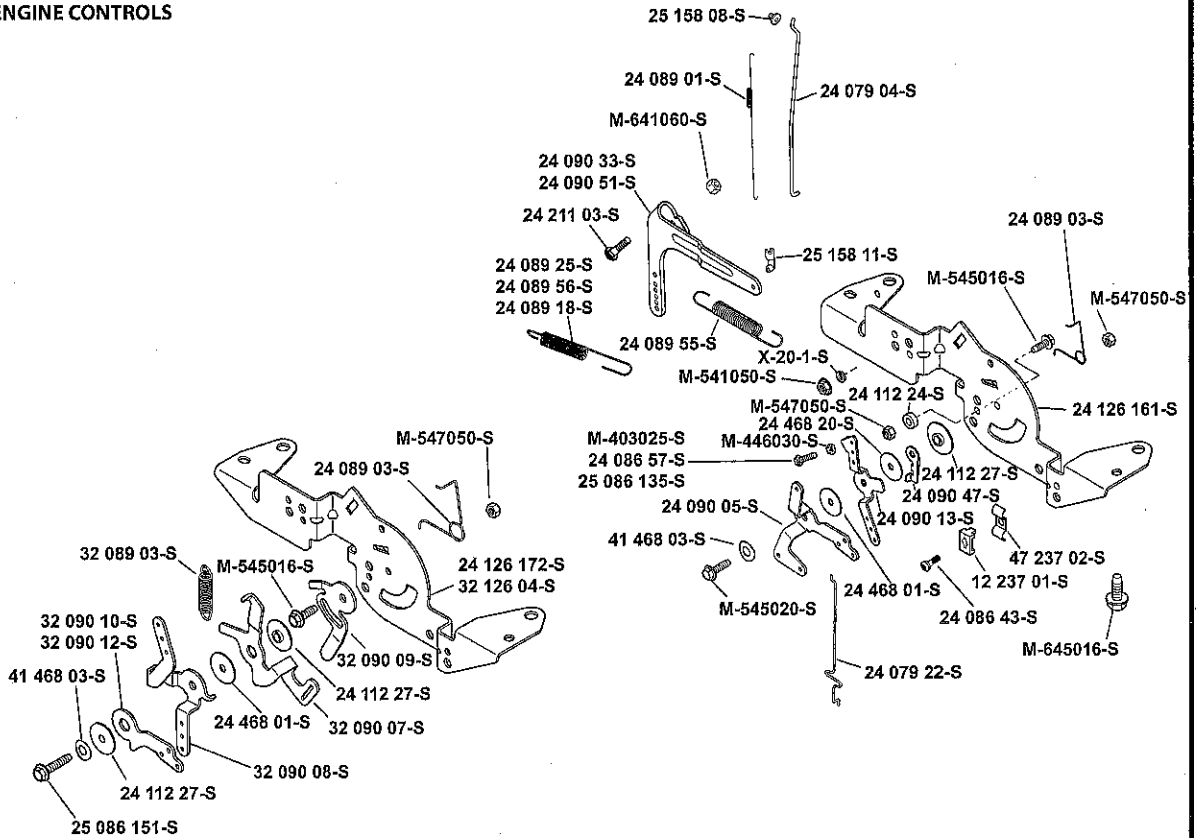
TRACTOR - - MODEL NUMBER 917.253712
KOHLER ENGINE-MODEL NUMBER SV735, TYPE NUMBER 3019



TRACTOR - - MODEL NUMBER 917.253712

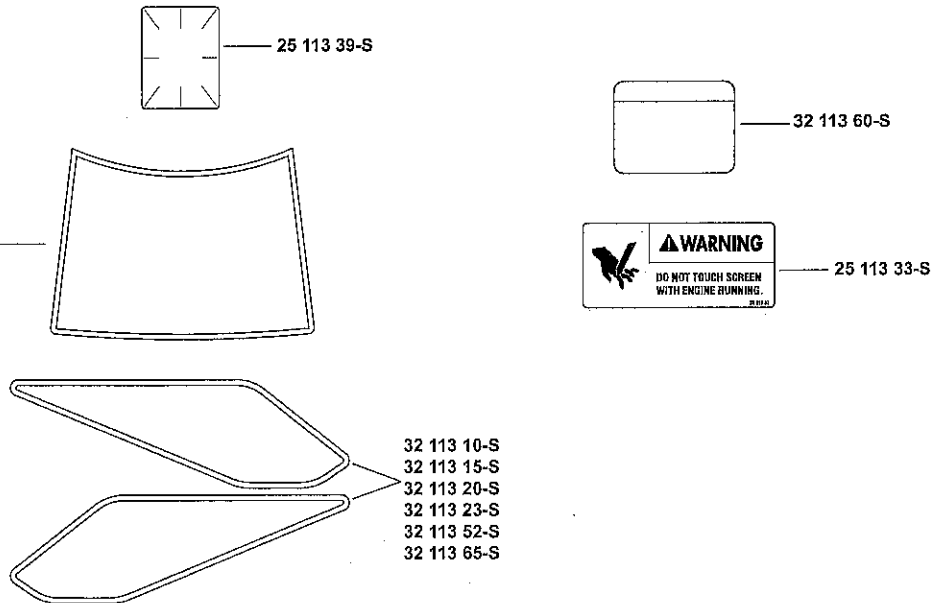
KOHLER ENGINE-MODEL NUMBER SV735, TYPE NUMBER 3019

ENGINE CONTROLS



DECALS

- 32 113 06-S
- 32 113 07-S
- 32 113 08-S
- 32 113 09-S
- 32 113 12-S
- 32 113 13-S
- 32 113 14-S
- 32 113 16-S
- 32 113 17-S
- 32 113 18-S
- 32 113 19-S
- 32 113 21-S
- 32 113 22-S
- 32 113 24-S
- 32 113 25-S
- 32 113 26-S
- 32 113 27-S
- 32 113 28-S
- 32 113 29-S
- 32 113 35-S
- 32 113 36-S
- 32 113 37-S
- 32 113 38-S
- 32 113 39-S
- 32 113 42-S
- 32 113 43-S
- 32 113 44-S
- 32 113 46-S
- 32 113 48-S
- 32 113 49-S
- 32 113 50-S
- 32 113 54-S
- 32 113 57-S
- 32 113 58-S
- 32 113 64-S
- 32 113 61-S
- 32 113 62-S
- 32 113 63-S



Artwork is representative.
Actual labels may differ depending on model and specification number.

TRACTOR - - MODEL NUMBER 917.253712

KOHLER ENGINE-MODEL NUMBER SV735, TYPE NUMBER 3019

PART NO.	DESCRIPTION	QTY	PART NO.	DESCRIPTION	QTY
AIR INTAKE/FILTRATION 10-32-4			ENGINE CONTROLS 9-32-4		
24 041 14-S	GASKET, AIR CLEANER BASE	1	24 211 03-S	BOLT, RD HD SQ NECK M6X1.0X25	1
32 344 02-S	LATCH, AIR CLEANER ELEMENT	1	24 090 51-S	LEVER, GOVERNOR	1
32 083 03-S	ELEMENT, AIR FILTER	1	M-641060-S	NUT, FLG M6X1.0	1
24 164 91-S	KIT, INTAKE MANIFOLD	1	24 089 01-S	SPRING, LINKAGE	1
M-651040-S	SCREW, FLG M6X1.0X40	4	25 158 08-S	BUSHING, LINKAGE RETAINING	1
25 139 60-S	PLUG, CTSK PIPE 1/8"	1	24 079 04-S	LINKAGE, THROTTLE	1
24 041 52-S	GASKET, CARBURETOR	1	25 158 11-S	BUSHING, THROTTLE LINKAGE	1
24 153 27-S	O-RING, INTAKE PORT	2	M-545016-S	SCREW, FLG THD FRM M5X0.8X16	1
32 094 08-S	BASE, AIR CLEANER	1	M-547050-S	NUT, LOCK M5X.8	2
25 326 08-S	HOSE, EVAPORATIVE, 20"	1	24 089 03-S	SPRING, CHOKE RETURN	1
25 173 33-S	CAP, MASKING	1	32 126 04-S	BRACKET, CONTROL	1
25 155 51-S	CONNECTOR, EVAPORATIVE	1	M-645016-S	SCREW, FLG THD FRM M6X1.0X16	4
BLOWER HOUSING & BAFFLES 6-32-1			12 237 01-S	CLAMP, CABLE	2
32 027 03-S	KIT, HOUSING BLOWER (41 037 10-S)	1	24 086 43-S	SCREW, LBD THD FRM M5x0.8x16	2
32 096 08-S	COVER, AIR CLEANER	1	24 079 22-S	LINKAGE, CHOKE	1
M-545016-S	SCREW, FLG THD FRM M5X0.8X16	6	24 111 2 27-S	SPACER, CONTROL ASSEMBLY	1
M-645016-S	SCREW, FLG THD FRM M6X1.0X16	8	24 090 47-S	LEVER, THROTTLE ACTUATOR	1
32 146 05-S	KIT, BACKING PLATE	1	24 090 13-S	LEVER, THROTTLE CONTROL	1
32 063 12-S	BAFFLE, CYL BARREL - #2 SIDE	1	24 468 01-S	WASHER, FLAT 5.5 MM	1
24 063 94-S	BAFFLE, VALLEY #2 CYLINDER	1	M-545020-S	SCREW, FLG THD! FRM M5X.8X20	1
M-545010-S	SCREW, FLG THD FRM M5X.8X10	2	41 468 03-S	WASHER, SPRING 1/4"	1
24 063 93-S	BAFFLE, VALLEY #1 CYLINDER	1	24 090 05-S	LEVER, CHOKE	1
32 063 10-S	BAFFLE, CYL BARREL - #1 SIDE	1	25 086 135-S	SCREW, HEX HD CAP (W/LOCTITE)	1
24 086 12-S	SCREW, TAP M6X1.7X18	2	24 468 20-S	WASHER, FLAT 5 MM	1
25 086 158-S	SCREW, FLNG THD FRM M6X1.0 X10	2	24 ! 112 24-S	SPACER	1
NOT ILLUSTRATED			24 089 56-S	SPRING, GOVERNOR	1
41 403 10-S	REGULATOR/RECTIFIER	1	24 089 55-S	SPRING, GOVERNED IDLE	1
41 037 10-S	NAMEPLATE, SERVICE	1	CRANKCASE GROUP 2-32-5		
NOT ILLUSTRATED			12 402 02-S	REED, BREATHER	1
FUEL SYSTEM GROUP 8-32-35			24 018 04-S	RE! TAINER, BREATHER REED	1 < /tr>
32 853 25-S	KIT, CARBURETOR	1	24 380 16-S	PIN, LOCATING	6
M-629105-S	STUD, M6X1.0X106 USE 25 072 25-S	1	24 032 19-S	SEAL, OIL (HELIX LIP)	1
M-641060-S	NUT, FLG M6X1.0	2	12 422 07-S	SHIM, CAMSHAFT (WHITE .028")	1
47 154 01-S	CLIP, CABLE	1	12 422 08-S	SHIM, CAMSHAFT (BLUE .03")	1
24 086 12-S	SCREW, TAP M6X1.7X18	2	12 422 09-S	SHIM, CAMSHAFT (RED .032")	1
24 393 16-S	PUMP, FUEL	1	12 422 10-S	SHIM, CAMSHAFT (YELLOW .034")	1
25 ! 11 34-S	LINE, FUEL (24"-CUT TO LENGTH)	1	12 422 11-S	SHIM, CAMSHAFT (GREEN .036")	1
25 237 14-S	CLAMP, HOSE 1/2" USE 25 237 31-S	2	12 422 12-S	SHIM, CAMSHAFT (GRAY .038")	1
24 050 13-S	FILTER, FUEL	1	12 422 13-S	SHIM, CAMSHAFT (BLACK .04")	1
24 041 14-S	GASKET, AIR CLEANER BASE	1	24 018 01-S	RETAINER, PISTON PIN	1
24 041 52-S	G! ASKET, CARBURETOR	1	24 067 28-S	ROD, ASSEMBLY CONNECTING (STD)	1
CRANKSHAFT 1-32-5			24 018 09-S	RETAINER, RING	1
52 139 09-S	PLUG, CUP	1	24 468 15-S	WASHER, FLAT 11/32"	1
32 014 304-S	CRANKSHAFT	1	28 032 09-S	SEAL, GOVERNOR CROSS SHAFT	1
X-43-1-S	KEY, 1/8" X 1/2"	1	24 144 38-S	SHAFT, GOVERNOR CROSS	1
			24 126 19-S	BRACKET, OIL FILL TUBE	1
			M-545013-S	SCREW, FLG THD FRM M5X0.8X13	1
			M-931010-S	WASHER, FLAT 9 MM	1
			< /td>		
			32 755 04-S	KIT, DIPSTICK AND TUBE	1
			25 153 09-S	O-RING	2
			12 153 01-S	O-RING, LOWER OIL FILL TUBE	1
			32 010 05-S	CAMSHAFT ASSEMBLY	1
			32 874 13-S	KIT, PISTON W/RING (STD)	1
			32 108 01-S	RING SET, PISTON (STD)	1

TRACTOR - - MODEL NUMBER 917.253712

KOHLER ENGINE-MODEL NUMBER SV735, TYPE NUMBER 3019

PART NO.	DESCRIPTION	QTY	PART NO.	DESCRIPTION	QTY
HEAD/VALVE/BREATHER 4-32-4			IGNITION/CHARGING GROUP 5-32-53		
	12 755 03-S	KIT, RETAINER	25 132 14-S	SPARK PLUG, RFI	2
	4		237878-S	KIT, 15 / 20 AMP STATOR	1
235011-S	RETAINER, SPRING	4	M-548025-S	SCREW, THD FRM M5X0.8X25	2
66 032 05-S	SEAL, VALVE STEM	2	25 086 361-S	SCREW, HEX FLANGE	1
24 016 01-S	VALVE, EXHAUST (STD)	2	25 340 04-S	KEY, SQUARE	1
24 017 01-S	VALVE, INTAKE (STD)	2	25 468 09-S	WASHER, FLAT	1
32 326 06-S	KIT, BREATHER HOSE	1	32 025 15-S	FLYWHEEL ASSEMBLY (SV735/740)	1
	(INCLUDES 25 237 14-S)		20 146 05-S	PLATE, FAN MOUNTING	1
25 237 14-S	CLAMP, HOSE 1/2" USE 25 237 31-S	5	32 157 01-S	FAN	1
32 081 02-S	KIT, BREATHER HOUSING	1	32 162 03-S	SCREEN, GRASS	1
	(INCLUDES M-547050-S, 32 468 01-S)		24 584 63-S	MODULE, SPARK ADV (DSA) ASS! Y2	1
M-547050-S	NUT, LOCK M5X.8	1	M-545020-S	SCREW, FLG THD FRM M5X.8X20	4
32 468 01-S	WASHER, SEALING	1	25 155 41-S	CONNECTOR	1
32 072 03-S	STUD, BREATHER COVER	1	25 454 05-S	TIE	1
32 019 02-S	TAPPET	4		NOT ILLUSTRATED	
32 841 01-S	KIT, CYLINDER HEAD GASKET	2	32 176 17-S	KIT, HARNESS, WIRING	
62 086 08-S	SCREW, FLG M10X1.5X90	8		NOT ILLUSTRATED	
M-645016-S	SCREW, FLG THD FRM M6X1.0X16	1	47 154 01-S	CLIP, CABLE	1
32 096 04-S	COVER, BREATHER	1			
	(INCLUDES 32 041 01-S)		EXHAUST 11-32-2		
32 318 13-S	KIT, #1 CYLINDER HEAD ASSEMBLY	1	24 041 49-S	GASKET, EXHAUST	2
	(includes EXHAUST MOUNTING		25 454 05-S	TIE	1
	HARDWARE)(AFTER S/N 3810100003)			NOT ILLUSTRATED	
32 318 14-S	KIT, #2 CYLINDER HEAD ASSEMBLY	1	LUBRICATION GROUP 3-32-24		
	(INCLUDES EXHAUST MOUNTING		24 086 17-S	SCREW, FLG M8X1.25X45	10
	HARDWARE) (AFTER S/N 38101 00003)		25 032 06-S	SEAL, OIL	1 < /tr>
32 146 09-S	PLATE, GUIDE	2	25 139 57-S	PLUG, SQ HD PIPE 3/8"	2
32 072 04-S	STUD, ROCKER	4	32 199 14-S	OIL PAN ASSEMBLY	1
	(after S/N 3633510943)		12 144 02-S	SHAFT, GOVERNOR GEAR	1
32 186 03-S	ARM, ROCKER	4	24 448 02-S	TAB, LOCKING	1
32 100 05-S	HEX NUT ASSEMBLY	4	32 3! 10 02-S	KIT, GOVERNOR GEAR	1
	(INCLUDES 25 086 168-S)		24 153 01-S	O-RING, OIL PICK-UP	1
	(AFTER S/N 3633510943)		32 086 01-S	SCREW, SHD THD FRM M6X.0X6.5	2
25 599 01-S	PIVOT, ROCKER ARM	4	32 393 16-S	PUMP, OIL ASSEMBLY	1
	(after S/N 3633510943)		52 050 02-S	FILTER, OIL	1
32 411 04-S	ROD, PUSH	4	32 123 01-S	TUBE, OIL FEED - FILTER TO PAN	1
	(after S/N 3633510943)		32 123 09-S	OIL FEED TUBE ASSEMBLY	1
32 755 03-S	KIT, CYLINDER HEAD HARDWARE	2	32 136 05-S	NIPPLE, OIL FILTER	1
	NOT ILLUSTRATED		25 139 60-S	PLUG, CTSK PIPE 1/8"	1
	(Services 1 Head. Quantities listed are for		32 468 02-S!	WASHER, FLAT	1
	both heads)(12 755 03-S, 12 173 01-S, 24		12 380 01-S	PIN, GOVERNOR REGULATING	1
	089 02-S, 235011-S, 66 032 05-S, 24 017		32 123 06-S	TUBE, OIL FEED	1
	01-S, 24 016 01-S, 32 146 09-S, 32 072		32 153 05-S	O-RING	1
	04-S, 32 186 03-S, 32 100 05-S, 25 086				
	168-S, 25 599 01-S, 32 411 04-S)		STARTING SYSTEM 7-32-4		
32 326 07-S	KIT, FUEL PUMP HOSE	1	M-851080-S	SCREW, FLG M8X1.25X80	2
32 050 05-S	FILTER, BREATHER	1	32 098 03-S	STARTER ASSEMBLY	1
32 089 05-S	SPRING, VALVE	4	DECALS 12-32-21		
25 086 374-S	SCREW, PAN HEAD	8	25 113 39-S	DECAL, CLEAR LAMINATE	1
25 237 01-S	CLAMP, HOSE	1	32 113 23-S	DECAL, SEAR! S 2PC WNG ST	1
25 096 10-S	COVER, ROCKER STAMPED STEEL	1	32 113 27-S	DECAL, 26 HP	1
25 096 09-S	COVER, ROCKER STAMPED STEEL	1			
32 050 05-S	FIL TER, BREATHER	1			
25 173 28-S	CAP, VALVE SPRING	2			
25 445 03-S	STRAP, LIFT	1			

LIMITED WARRANTY ON CRAFTSMAN RIDING EQUIPMENT

For two (2) years from the date of purchase, if this Craftsman Riding Equipment is maintained, lubricated and tuned up according to the instructions in the owner's manual, Sears will repair or replace free of charge any parts that are found to be defective in material or workmanship according to the guidelines of coverage listed below. Sears will also provide free labor for these applicable warranted parts for the two full years. During the first 30 days of purchase, there will be no charges to service the product at your home for issues covered by this warranty. (See exclusions below). For your convenience, IN HOME warranty service will still be available after the first 30 days of purchase, but a trip charge will apply. This charge will be waived if the Craftsman product is dropped off at an authorized Sears location. For the nearest authorized Sears location, please call 1-800-4-MY-HOME®. This warranty applies only while this product is within the United States.

This Warranty does not cover:

- Expendable items which become worn during normal use, including but not limited to blades, spark plugs, air cleaners, belts, and oil filters.
- Standard Maintenance Servicing, oil changes, or tune-ups
- Tire replacement or repair caused by punctures from outside objects, such as nails, thorns, stumps, or glass.
- Repairs necessary because of operator abuse, including but not limited to, damage caused by towing objects beyond the capability of the riding equipment, impacting objects that bend the frame or crankshaft, or over-speeding the engine.
- Repairs necessary because of operator negligence, including but not limited to, electrical and mechanical damage caused by improper storage, failure to use the proper grade and amount of engine oil, failure to keep the deck clear of flammable debris, or failure to maintain the equipment according to the instructions contained in the owner's manual.
- Engine (fuel system) cleaning or repairs caused by fuel determined to be contaminated or oxidized (stale). In general, fuel should be used within 30 days of its purchase date.
- Normal deterioration and wear of the exterior finishes, or product label replacement.
- Riding equipment used for commercial or rental purposes.

LIMITED WARRANTY ON BATTERY

For ninety (90) days from date of purchase, if any battery included with this riding equipment proves defective in material or workmanship and our testing determines the battery will not hold a charge, Sears will replace the battery at no charge. During the first 30 days of purchase, there will be no charges to replace the battery at your HOME. After the first 30 days, for your convenience, IN-HOME warranty service will still be available but a trip charge will apply. This charge will be waived if the Craftsman product is dropped off at an authorized Sears location. For the nearest authorized Sears location, please call 1-800-4-MY-HOME®.

This battery warranty applies only while this product is within the United States.

This warranty gives you specific legal rights, and you may also have other rights, which vary, from state to state.

Sears, Roebuck and Co., Dept. 817WA, Hoffman Estates, IL 60179

CRAFTSMAN®