

**REPAIR PARTS MANUAL**  
**MODEL NO. 254140**

---

**CRAFTSMAN®**

# HOW TO USE THIS MANUAL

This manual is designed to provide the customer with a means to identify the parts on his/her tractor when ordering repair parts. The illustrations may or may not represent the actual assemblies; therefore, it is not recommended to use this manual as a guide to assemble or disassemble the tractor. Some hardware and parts are drawn larger in order to more readily identify them.

Each tractor has its own model number.

The model number for your tractor can be found on the fender under the seat.

When ordering parts, always give the following information:

- Product - Lawn Tractor
- MODEL NUMBER - **254140**
- Part Number
- Part Description

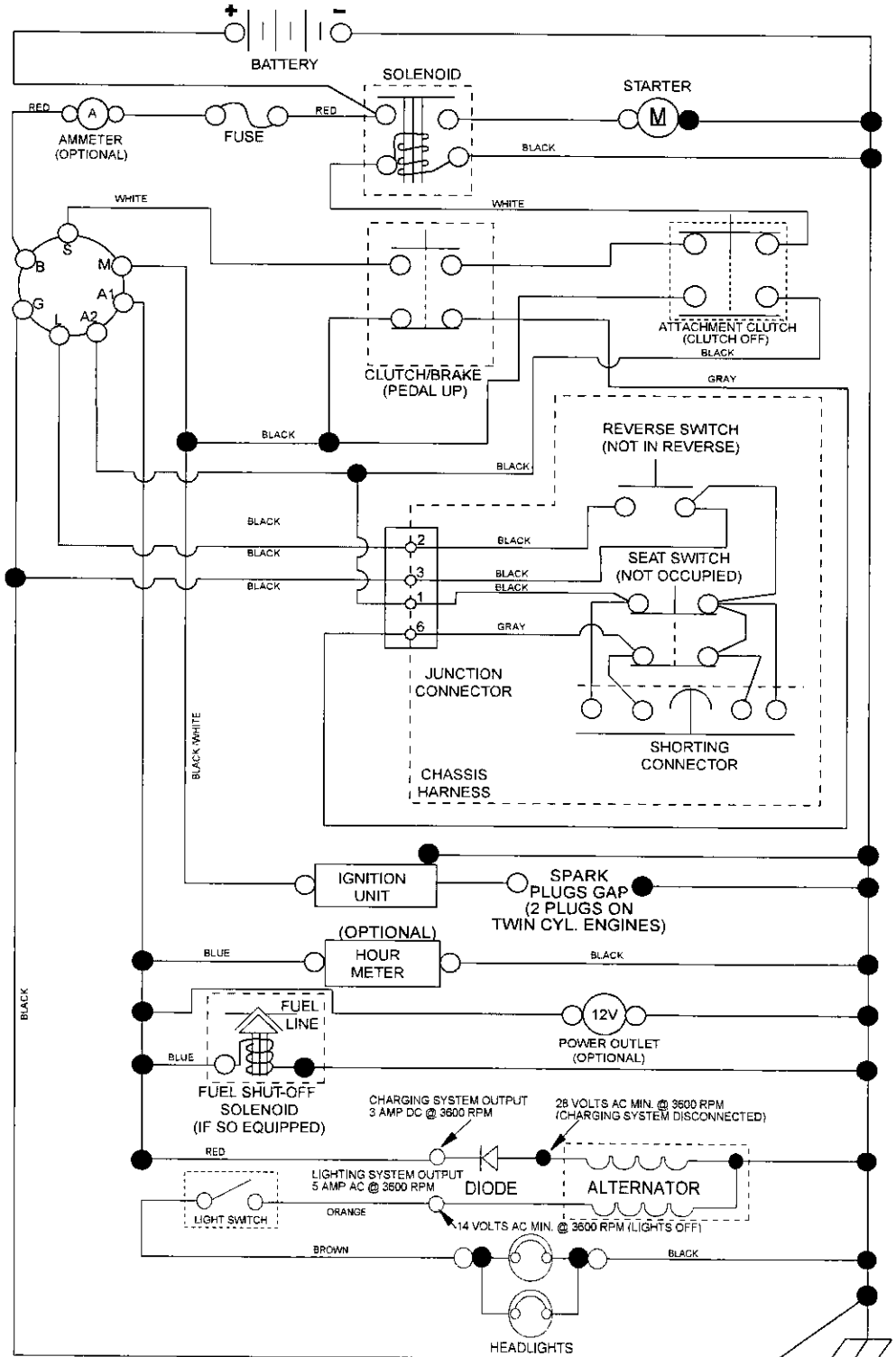
## TABLE OF CONTENTS

<b>SCHEMATIC .....</b>	<b>3</b>
<b>ELECTRICAL.....</b>	<b>4-5</b>
<b>CHASSIS .....</b>	<b>6-7</b>
<b>DRIVE.....</b>	<b>8-9</b>
<b>ENGINE.....</b>	<b>10-11</b>
<b>STEERING .....</b>	<b>12</b>
<b>SEAT .....</b>	<b>13</b>
<b>MOWER DECK.....</b>	<b>14-15</b>
<b>MOWER LIFT.....</b>	<b>16</b>
<b>DECALS.....</b>	<b>17</b>
<b>TRANSAXLE BREAKDOWN .....</b>	<b>18-19</b>
<b>ENGINE BREAKDOWN.....</b>	<b>20-25</b>
<b>WARRANTY.....</b>	<b>BACK COVER</b>

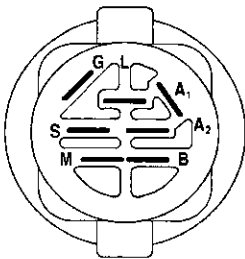
# TRACTOR -- MODEL NUMBER 917.254140

## SCHEMATIC

SCH11

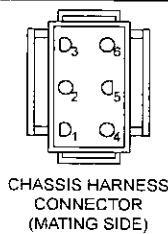


**NOTE**  
YOUR TRACTOR IS EQUIPPED WITH A SPECIAL ALTERNATOR SYSTEM. THE LIGHTS ARE NOT CONNECTED TO THE BATTERY, BUT HAVE THEIR OWN ELECTRICAL SOURCE. BECAUSE OF THIS, THE BRIGHTNESS OF THE LIGHTS WILL CHANGE WITH ENGINE SPEED. AT IDLE THE LIGHTS WILL DIM. AS THE ENGINE IS SPEEDED UP, THE LIGHTS WILL BECOME THEIR BRIGHTEST.

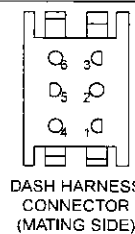


IGNITION SWITCH

POSITION	CIRCUIT	"MAKE"
OFF	M+G+A1	
RUN/OVERRIDE	B+A1	
RUN	B+A1	L+A2
START	B+S+A1	



CHASSIS HARNESS CONNECTOR (MATING SIDE)



DASH HARNESS CONNECTOR (MATING SIDE)

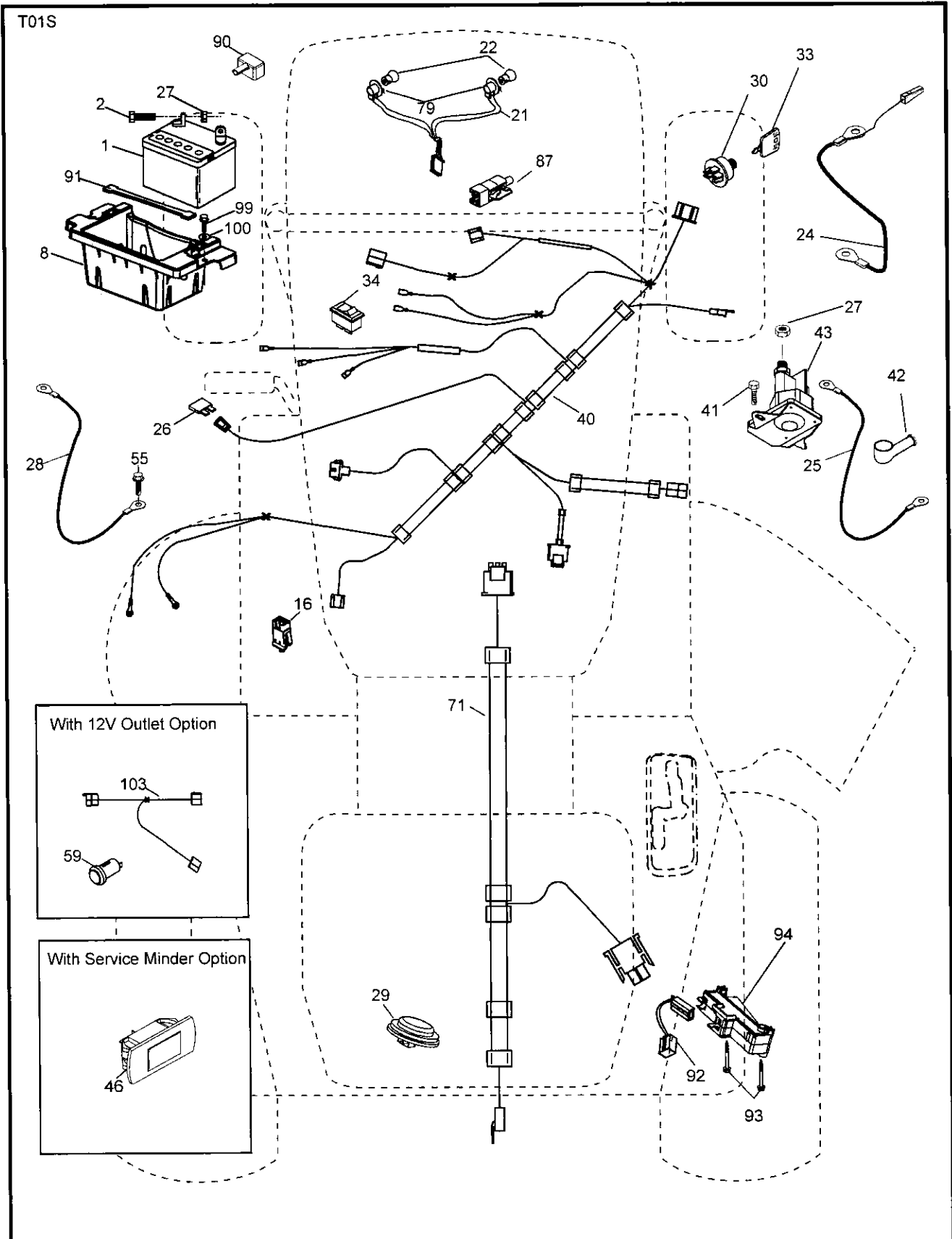
WIRING INSULATED CLIPS  
NOTE: IF WIRING INSULATED CLIPS WERE REMOVED FOR SERVICING OF UNIT, THEY SHOULD BE RE-INSTALLED TO PROPERLY SECURE YOUR WIRING.

●  
NON-REMOVABLE CONNECTIONS

○  
REMOVABLE CONNECTIONS

TRACTOR -- MODEL NUMBER 917.254140

ELECTRICAL



## TRACTOR - - MODEL NUMBER 917.254140

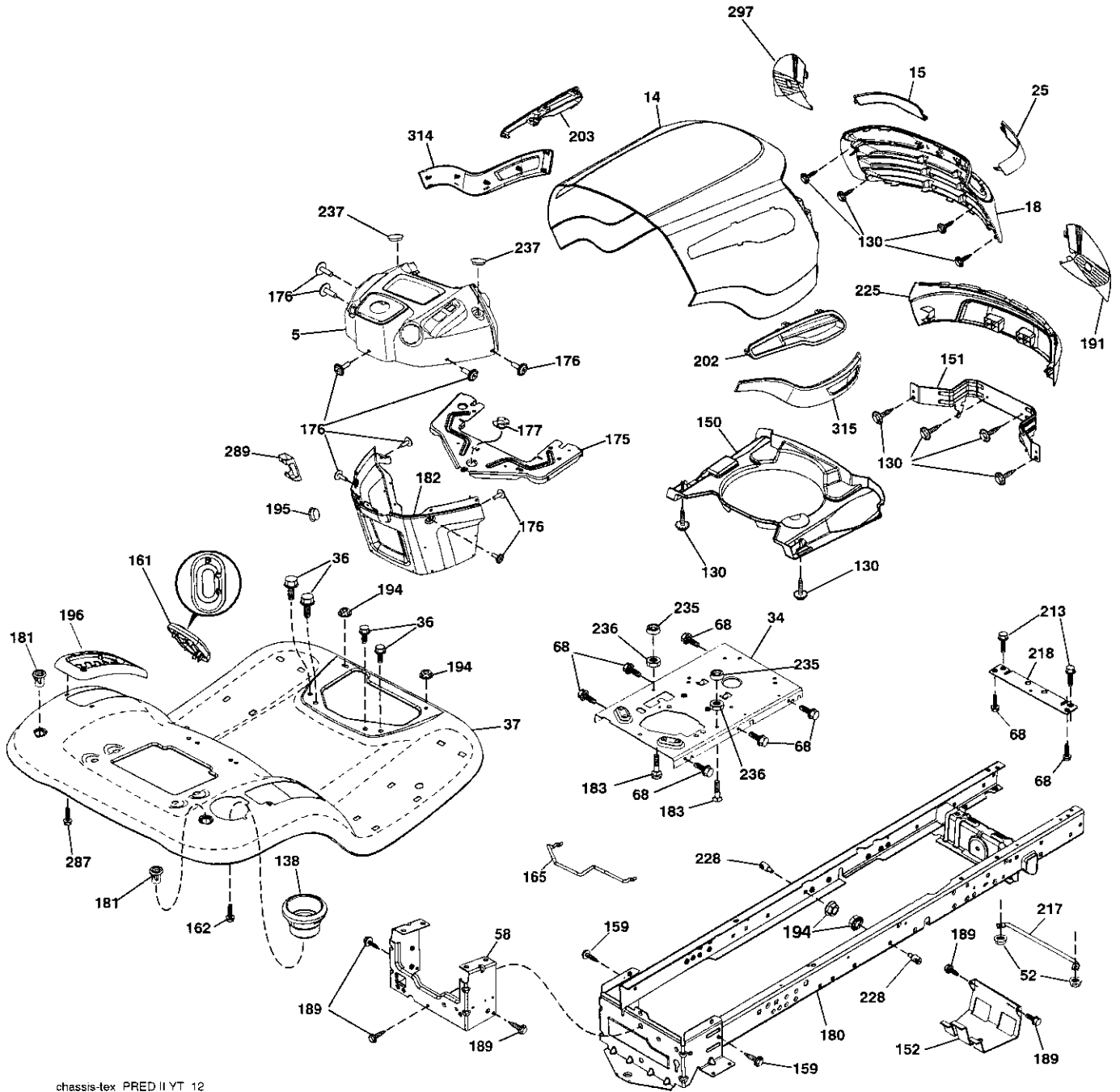
### ELECTRICAL

KEY NO.	PART NO.	DESCRIPTION
1	163465	Battery
2	74760412	Bolt Hex Hd 1/4-20 unc x 3/4
8	186491	Box Battery
16	176138	Switch Interlock Push-In
21	400252	Harness Socket Light w/4152J
22	4152J	Bulb Light
24	400253	Cable Btry.
25	412895	Cable Starter
26	175158	Fuse
27	73510400	Nut Keps Hex 1/4-20 unc
28	145491	Cable, Ground
29	401545	Switch, Seat
30	193350	Switch, Ign
33	411934	Key/Chain
34	110712X	Switch Light / Reset
40	401098	Harness Ign. Dash
41	17720408	Screw Thd Cut 1/4-20 x 1/2
42	131563	Cover, Terminal
43	192507	Solenoid
46	413931	Gauge SRVCMNDR HRMTR
55	17060512	Screw Thdrol 5/16-18 x 3/4 TYTT
71	194276	Harness Ign. Chassis
79	175242	Bulbholder Asm. Incan Descent
87	197802	Switch Interlock Clutch Cable
90	400724	Cover Terminal Battery
91	190270	Strap Btry.
92	196615	Harness Pigtail Reverse Switch
93	192540	Screw Plastite 10 - 14 x 2 00
94	191834	Module Reverse Ros
99	17670412	Screw Hexwsh Thdrol 1/4-20 x 3/4
100	19091416	Washer 9/32 x 7/8 16 Ga.

**NOTE:** All component dimensions given in U.S. inches  
1 inch = 25.4 mm

# TRACTOR - - MODEL NUMBER 917.254140

## CHASSIS ASSEMBLY



chassis-tex\_PRED II YT\_12

## TRACTOR - - MODEL NUMBER 917.254140

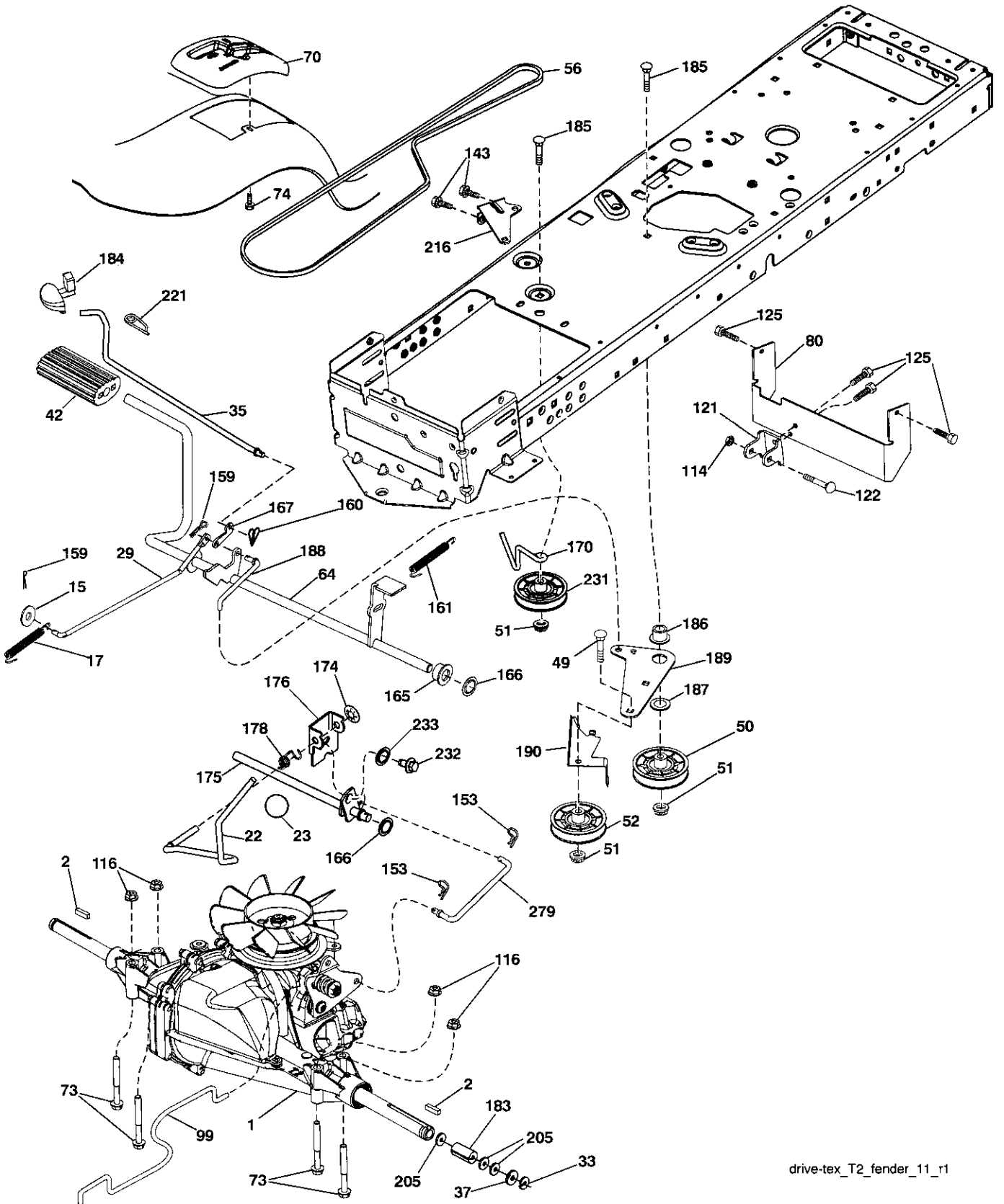
### CHASSIS ASSEMBLY

KEY NO.	PART NO.	DESCRIPTION	KEY NO.	PART NO.	DESCRIPTION
5	421809X428	Dash	183	74780520	Bolt Fin Hex 5/16-18 x 1-1/4
14	421154X615	Hood	189	17000512	Screw 5/16 - 18 x 3/4
15	421493X599	Lens LH	191	425407	Insert Reflective RH
18	423157	Grille	194	73900500	Nut Lock Hex Flange 5/16-18
25	421494X599	Lens RH	195	401556X428	Plug Hole Dash 12V Adapter
34	196125	Plate Engine	196	414579	Console Asm. Deck Lift
36	17060512	Screw 5/16-18 x 3/4	202	423175	Vent Side Hood RH
37	414970X615	Fender	203	423174	Vent Side Hood LH
52	73680500	Nut Crown Lock 5/16-18	213	74760512	Bolt hex HD 5/16-18 unc x 3/4
58	412280	Drawbar Upper	217	409167	Rod Pivot Chassis
68	17490508	Screw Thdrol 5/16-18 x 1/2	218	196395	X piece hood stop
130	416358	Screw # 10 x .750 BOS Thread	225	421255X615	Bumper
138	193224X428	Cupholder	228	195161	Stud Fastener
150	199411	Duct Heat Hood	235	406129	Spacer Fender
151	196332	Bracket Pivot	236	73930500	Nut Center Lock 5/16-18
152	199535	Shield Browning/Debris	237	403704	Plug Mount Cargo
159	17000612	Screw Hexwsh Thdrol 3/8-16 x 3/4	287	17600406	Screw Hex Washhead 1/4-20 x 3/8
161	193229X428	Window Fuel	289	199783X428	Plug Cruise/Phone Common YTGT
162	142432	Screw Hex Wsh Hi-Lo 1/4 x 1/2	297	425406	Insert Reflective LH
165	196826	Support Tank Rear	314	423145	Trim SD LH
175	196304	Crossmember	315	423146	Trim SD RH
176	400776	Screw 10-24 x 5/8 Wshd Qdrx			
177	195227	Bushing Steering			
180	415063	Chassis			
181	193102X428	Bushing Mtg. Fender Crgo.			
182	406859	Dash Lower			

**NOTE:** All component dimensions given in U.S. inches  
1 inch = 25.4 mm

TRACTOR -- MODEL NUMBER 917.254140

GROUND DRIVE



drive-tex\_T2\_fender\_11\_r1



**TRACTOR -- MODEL NUMBER 917.254140**

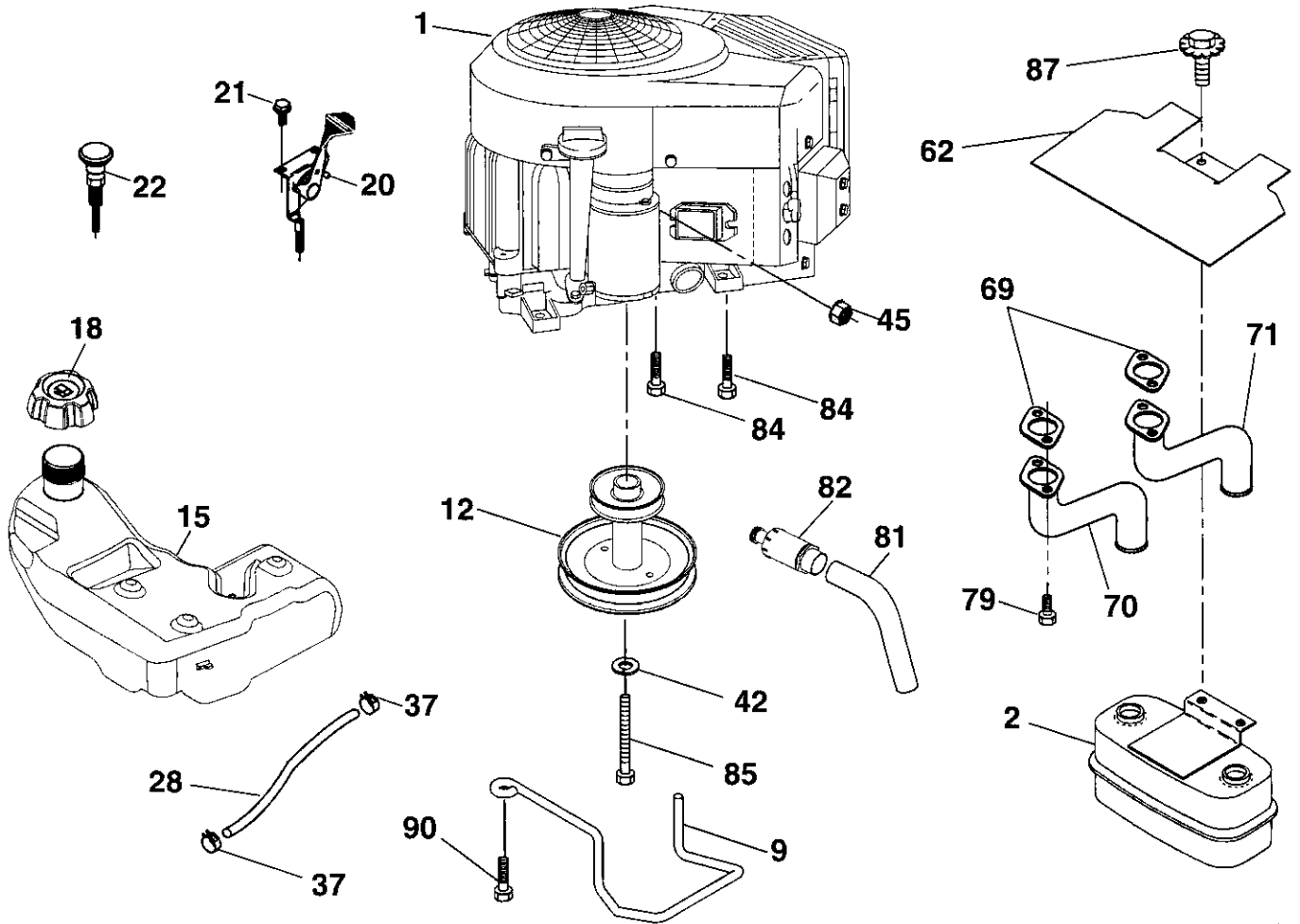
**GROUND DRIVE**

<b>KEY NO.</b>	<b>PART NO.</b>	<b>DESCRIPTION</b>	<b>KEY NO.</b>	<b>PART NO.</b>	<b>DESCRIPTION</b>
1	-----	Transaxle, Hydro Gear T2-AABC-1X1A-1GX1 (See Transaxle Breakdown)	153	4497H	Retainer Spring 1"
2	123583X	Key Square	159	76020412	Pin Cotter 1/8 x 3/4
15	19131316	Washer 13/32 x 13/16 x 16 Ga.	160	169484	Retainer Clip
17	197296	Spring, Brake	161	105709X	Spring, Return, Clutch
22	197660	Rod Shift	165	196212	Bushing
23	140845	Knob	166	197290	Nut Push .625
29	423239	Rod, Brake	167	405257	Latch Brake Parking
33	12000001	Ring E	170	413430	Keeper V-Idler
35	199591	Rod, Brake, Park	174	197289	Nut Push
37	121749X	Washer 25/32 x 1-1/4 x 16 Ga.	175	408539	Shaft Asm Shift
42	8883R	Cover, Foot Pedal	176	196214	Arm Clevis Rod Shift
49	72110614	Bolt	178	197456	Spring Shift
50	194327	Pulley Idler Flat	183	156972	Spacer Axle
51	73900600	Lock Nut 3/8-16	184	196439X205	Handle Parking Brake
52	194326	Idler V-Groove 910" Offset	185	72110622	Bolt
56	125907X	V-Belt, Drive	186	194321	Spacer Retainer
64	196200	Shaft Asm. Pedal Brake Control	187	19133210	Washer
70	193220X428	Console	188	194323	Link Clutch Ground Drive
73	74490544	Bolt Hex 5/16-18 Gr. 5	189	194317	Bellcrank Ground Drive
74	142432	Screw 1/4 x 1/2	190	194318	Keeper Bellcrank Ground Drive
80	408393	Strap Torque	205	121748X	Washer 25/32 x 1-5/8 x 16 Ga.
99	408418	Rod Spring Bypass	216	196131	Bracket Pulley Idler
114	73800500	Nut Lock 5/16-18 unc	221	403187	Retainer Spring Clip Handle
116	73900500	Nut Lock Hex Flange 5/16-18	231	407287	Idler V-Groove 1.688" Offset
121	175611	Bracket Strap Torque	232	74780716	Bolt 7/16-14 x 1 Gr 5
122	72010520	Bolt 5/16-18 x 2.50	233	405296	Washer Serrated
125	17000512	Screw 5/16-18 x 3/4	279	424155	Link Shift
143	17490508	Screw 5/16-18 x 1/2			

**NOTE:** All component dimensions given in U.S. inches  
1 inch = 25.4 mm

TRACTOR -- MODEL NUMBER 917.254140

ENGINE



**SPARK ARRESTER KIT**

engine-tex\_bs-2cyl\_13

## TRACTOR - - MODEL NUMBER 917.254140

### ENGINE

KEY NO.	PART NO.	DESCRIPTION
1	-----	Engine B&S Model No. 445677-1344-B1 (See Engine Breakdown)
2	149723	Muffler
9	194319	Keeper Belt Engine
12	401985	Pulley Engine
15	400021	Tank Fuel
18	195951	Cap Asm
20	175437X428	Control Throttle
21	416358	Screw 10 x .750 BOS Thread
22	187767X428	Control Choke
28	8543R	Fuel Line
29	137180	Spark Arrester Kit
37	123487X	Clamp Hose
42	10040700	Washer Lock 7/16
45	73510400	Nut Keps Hex 1/4-20 unc
62	146629	Shield Heat Muffler
69	165291	Gasket
70	159955	Exhaust Tube LH
71	160589	Exhaust Tube RH
79	183906	Screw 5/16-18 x .75
81	148456	Tube Drain Oil Easy
82	181654	Plug Drain Oil
84	17060620	Screw 3/8-16 x 1-1/4
85	173937	Bolt Hex 7/16-20 x 4 x Gr. 5-1.5
87	171877	Bolt 5/16-18 unc x 3/4 w/Sems
90	17000616	Screw 3/8-16 x 1.0

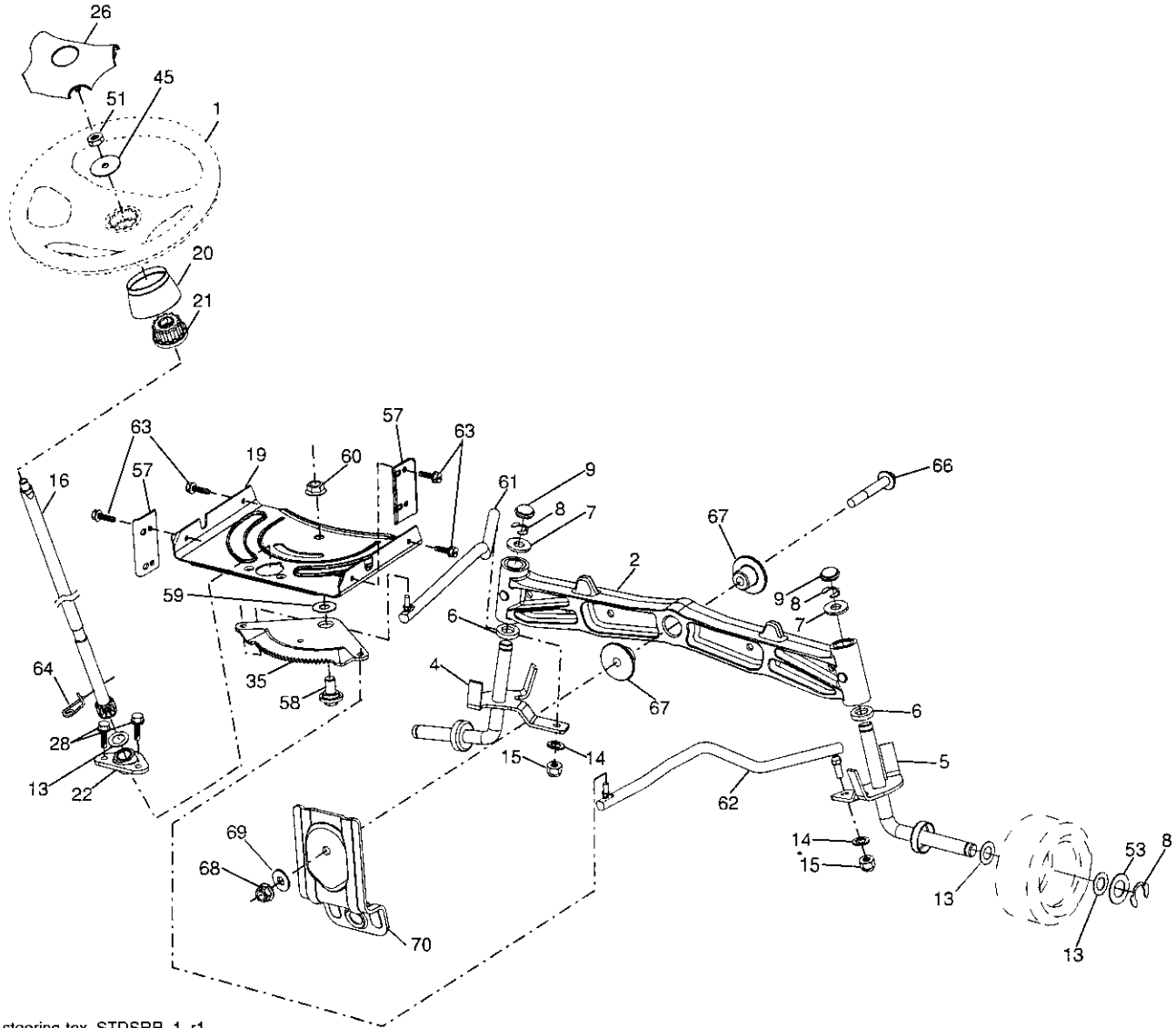
**NOTE:** All component dimensions given in U.S. inches  
1 inch = 25.4 mm

### Engine Power Rating Information

The gross power rating for individual gas engine models is labeled in accordance with SAE (Society of Automotive Engineers) code J11940 (Small Engine Power & Torque Rating Procedure), and rating performance has been obtained and corrected in accordance with SAE J1995 (Revision 2002-5). Actual gross engine power will be lower and is affected by, among other things, ambient operating conditions and engine-to-engine variability. Given both the wide array of products on which engines are placed and the variety of environmental issues applicable to operating the equipment, the gas engine will not develop the rated gross power when used in a given piece of power equipment (actual "on-site" or net horsepower). This difference is due to a variety of factors including, but not limited to, accessories (air cleaner, exhaust, charging, cooling, carburetor, fuel pump, etc.), application limitations, ambient operating conditions (temperature, humidity, altitude), and engine-to-engine variability. Due to manufacturing and capacity limitations, Briggs & Stratton may substitute an engine of higher rated power for this Series engine.

TRACTOR -- MODEL NUMBER 917.254140

STEERING ASSEMBLY



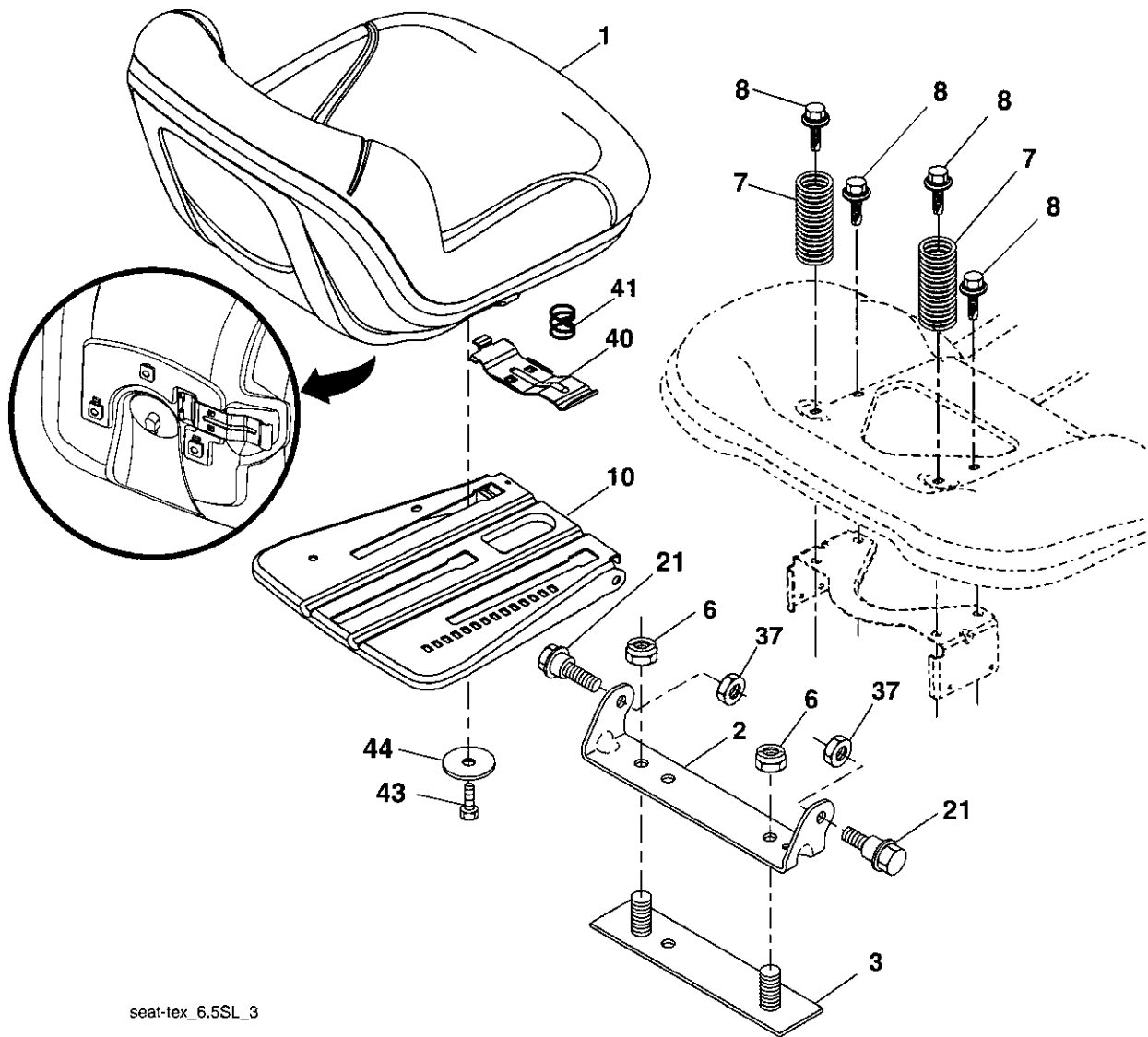
steering-tex\_STDSRR\_1\_r1

KEY NO.	PART NO.	DESCRIPTION	KEY NO.	PART NO.	DESCRIPTION
1	414803X428	Wheel, Steering	51	73940800	Nut Hex 1/2-20 unf
2	195968	Axle Asm., Front	53	188967	Washer Hardened .793 x 1.637 x .060
4	403087	Spindle Asm., LH	57	407465	Bracket Upstop
5	403088	Spindle Asm., RH	58	194747	Bolt Shoulder Sector Pivot CFM
6	6266H	Bearing, Race Thrust Harden	59	194748	Washer Thrust Sector Steering
7	121748X	Washer 25/32 x 1-5/8 x 16 Ga.	60	73971000	Nut Flange Lock 5/8-11
8	12000029	Ring, Klip #T5304-75	61	194740	Draglink LH
9	184946X505	Cap, Spindle	62	194741	Draglink, RH
13	121749X	Washer 25/32 x 1-1/4 x 16 Ga.	63	17000512	Screw 5/16-18 x 3/4
14	STD551137	Washer, Lock Hvy Hlcl Spr 3/8	64	199849	Retainer Clip Spring Steering
15	73540600	Nut, Crown Lock 3/8-24 unf	66	71020748	Bolt Hex Fghd 7/16-14 x 3 Serr
16	194746	Shaft Steering	67	194737	Bushing PM Front Axle
19	194729	Plate Steering	68	73900700	Nut Lock Flange 7/16-14 Gr. 5
20	199676X428	Boot, Steering	69	199162	Washer 1.5 x .505 x .118
21	186737	Adapter, Wheel Steering	70	196197	Bracket Deck Susp. Front
22	194845	Bushing, Strg. Blk			
26	414852X428	Insert, Wheel Steering			
28	17000612	Screw 3/8-16 x 3/4			
35	194732	Gear, Sector Plate			
45	19183812	Washer 9/16 x 2-3/8 x 12 Ga.			

NOTE: All component dimensions give in U.S. inches  
1 inch = 25.4 mm

TRACTOR - - MODEL NUMBER 917.254140

SEAT ASSEMBLY



seat-lex\_6.5SL\_3

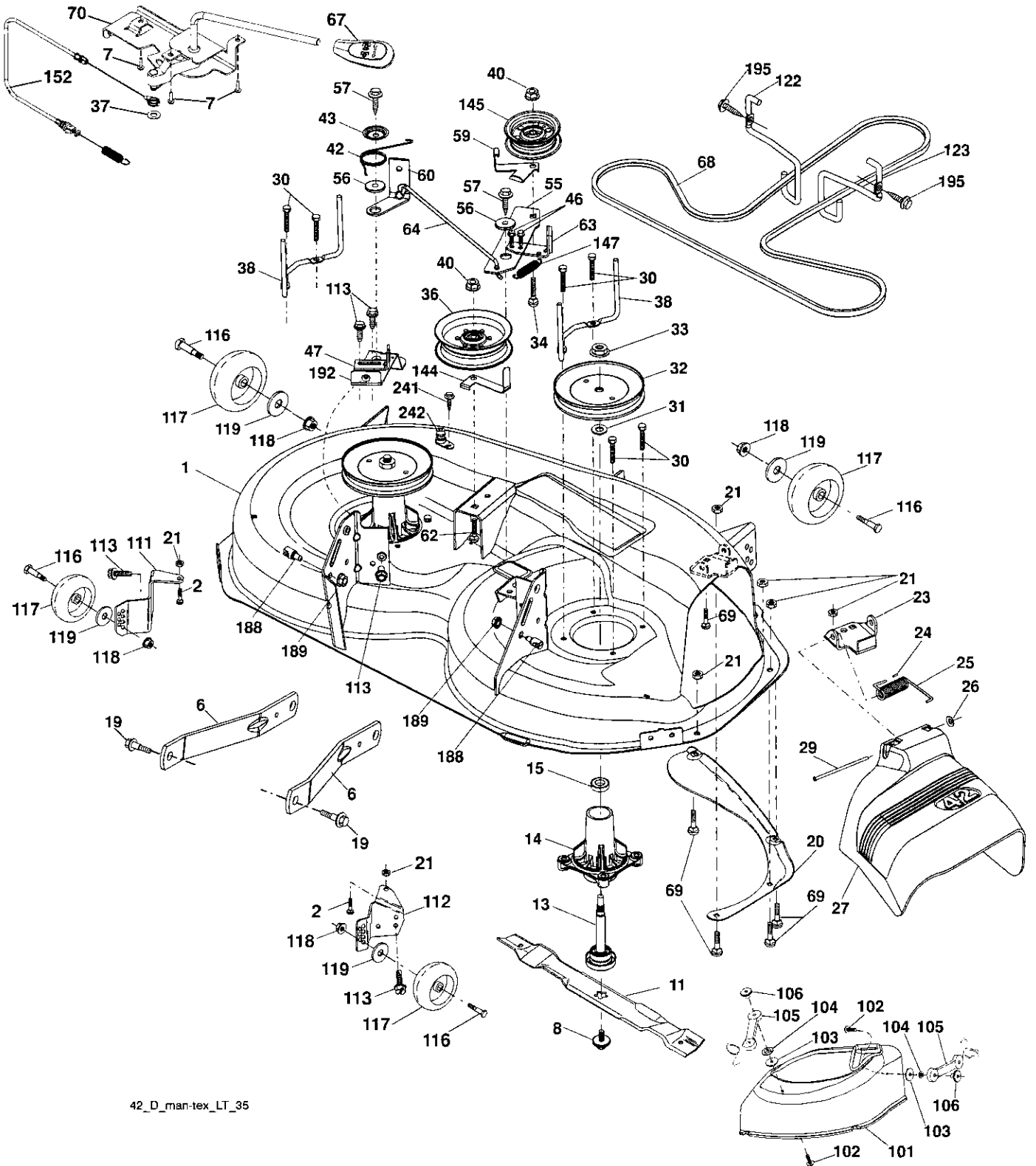
KEY NO.	PART NO.	DESCRIPTION
1	423645	Seat
2	180166	Bracket Pivot Fender
3	140675	Strap, Asm Fender
6	STD541437	Nut, Lock w/Ins. 3/8-16 unc
7	124181X	Spring, Seat Cprsn
8	171877	Bolt 5/16-18 unc x 3/4 w/Sems
10	196977	Pan, Seat
21	171852	Bolt, Shoulder 5/16-18

KEY NO.	PART NO.	DESCRIPTION
37	STD541431	Nut, Lock 5/16-18 unc
40	197661	Handle Slide Seat
41	198200	Spring Latch Seat
43	74760612	Bolt 3/8-16 x 3/4
44	19133812	Washer 13/32 x 2-3/8 x 12 Ga.

**NOTE:** All component dimensions give in U.S. inches  
1 inch = 25.4 mm

# TRACTOR -- MODEL NUMBER 917.254140

## MOWER DECK



42\_D\_man-tex\_LT\_35

**TRACTOR - - MODEL NUMBER 917.254140**

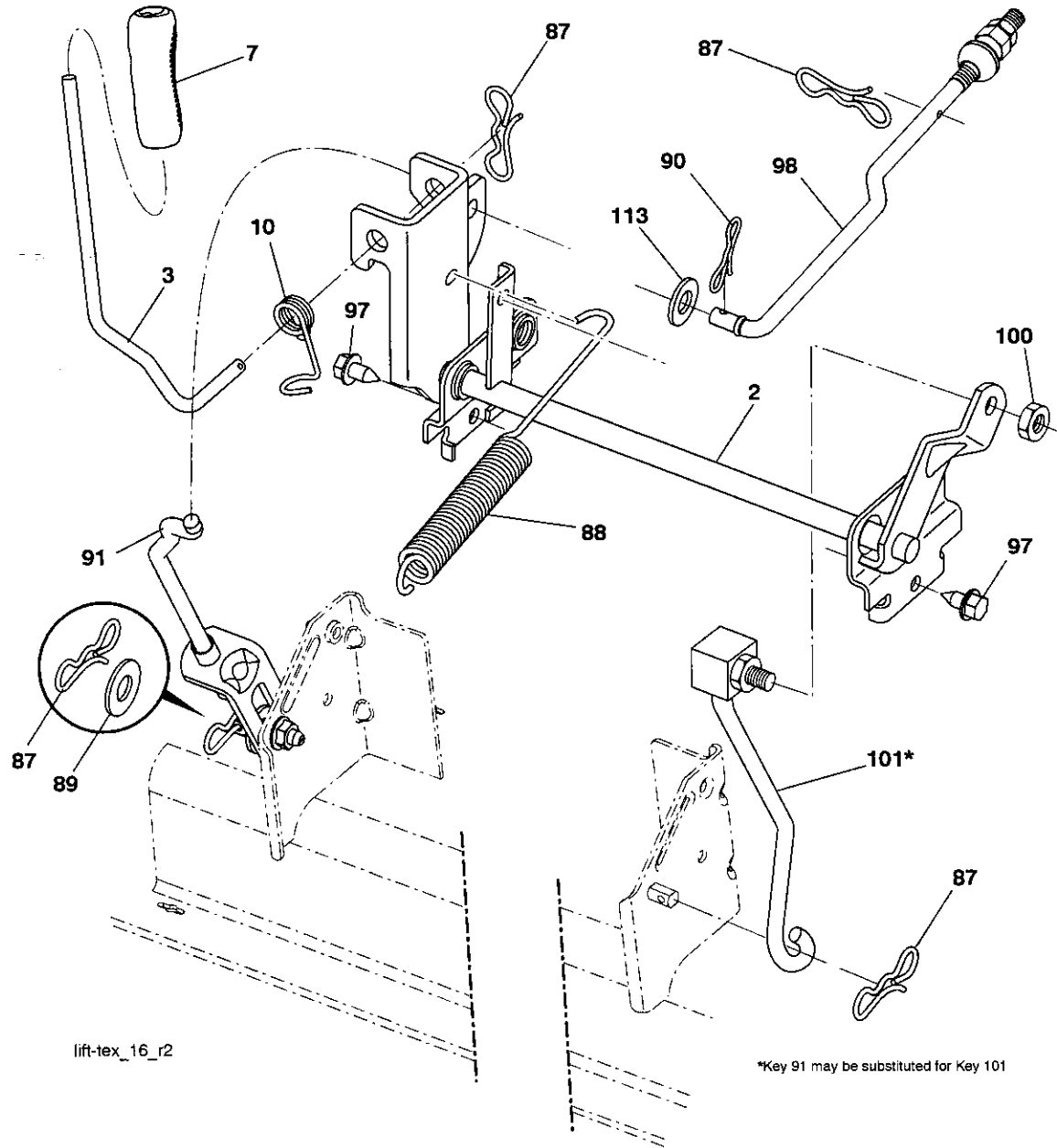
**MOWER DECK**

<b>KEY NO.</b>	<b>PART NO.</b>	<b>DESCRIPTION</b>	<b>KEY NO.</b>	<b>PART NO.</b>	<b>DESCRIPTION</b>
1	196495X615	Deck Weldment Mower	67	198398X505	Handle Clutch Cable
2	72140506	Bolt 5/16-18 x 3/4	68	197253	V-Belt
6	195186	Arm Suspension	69	STD533106	Bolt
7	416358	Screw #10 x .750 BOS Thread	70	199972	Clutch Asm Manual
8	193003	Bolt/Washer asm 7/16-20 unf	101	193107	Cover Mulching
11	424752	Blade, 42" 3NI	102	71081010	Screw Pan HD Phillip 10-24 x 5/8
13	192872	Shaft Assembly, Mandrel	103	19061216	Washer #10
14	187281	Housing, Mandrel	104	10071000	Washer Lock #10
15	110485X	Bearing, Ball, Mandrel	105	160793	Latch Asm.
19	196539	Bolt, Shoulder	106	2029J	Nut Weld .327/.304 # 10-24
20	159770	Baffle Vortex	111	404784	Bracket Wheel Gauge LH
21	STD541431	Nut, Crownlock 5/16-18 unc	112	404785	Bracket Wheel Gauge RH
23	192557	Bracket, Deflector	113	17000510	Bolt 5/16-18
24	105304X	Cap, Sleeve	116	4898H	Bolt, Shoulder
25	197026	Spring, Torsion, Deflector	117	188606	Wheel, Gauge
26	110452X	Nut, Push	118	STD541437	Nut, Lock 3/8-16
27	424469	Shield, Deflector	119	STD551037	Washer 3/8 x 7/8 x 14 Ga.
29	131491	Rod, Hinge	122	197258	Keeper Belt Engine LH
30	173984	Screw Thdrol Rolling Wsh Hd	123	197259	Keeper Belt Engine RH
31	187690	Washer, Spacer	144	199204	Keeper Belt
32	197473	Pulley, Mandrel	145	193197	Pulley Idler, Flat
33	400234	Nut, Toplock, Flanged	147	401971	Spring Return
34	72110612	Bolt Carr Sh. 3/8-16 x 1-1/2 Gr. 5	152	408714	Manual Clutch Cable
36	197379	Pulley, Idler	188	195161	Stud Fastener
37	STD551037	Washer	189	73900500	Nut Lock Hex Flange
38	199189	Keeper Belt LH Mandrel	192	197260	Bracket Brake Stand LH
40	73900600	Nut, Lock Fig. 3/8-16 unc	195	17000612	Screw Hex Wsh Thdr 3/8-16 x 3/4
42	197256	Spring Torsion Retainer	241	152927	Screw TT #10-32.5. 3/8 Flange
43	198410	Spring Torsion Brake	242	415598	Port Washout
46	137729	Screw Thd Roll 1/4-20 x 5/8	--	192870	Mandrel Assembly (Includes housing, shaft assembly, and bearing only - pulley/nut/washer and blade bolt/washers not included)
47	197250	Bracket Clutch Cable	--	424343	Replacement Mower, Complete
55	197249	Arm, Idler			
56	199092	Spacer, Retainer			
57	17000616	Screw 3/8-16 x 1			
59	141043	Guard, Tuv Idler			
60	197402	Arm Brake Mower			
62	STD533720	Bolt Rd Hd Sq Nk 3/8-16 unc x 2			
63	199478	Arm Brake Mower			
64	199918	Link Brake Asm			

**NOTE:** All component dimensions given in U.S. inches  
1 inch = 25.4 mm

TRACTOR -- MODEL NUMBER 917.254140

LIFT ASSEMBLY



lift-tex\_16\_r2

\*Key 91 may be substituted for Key 101

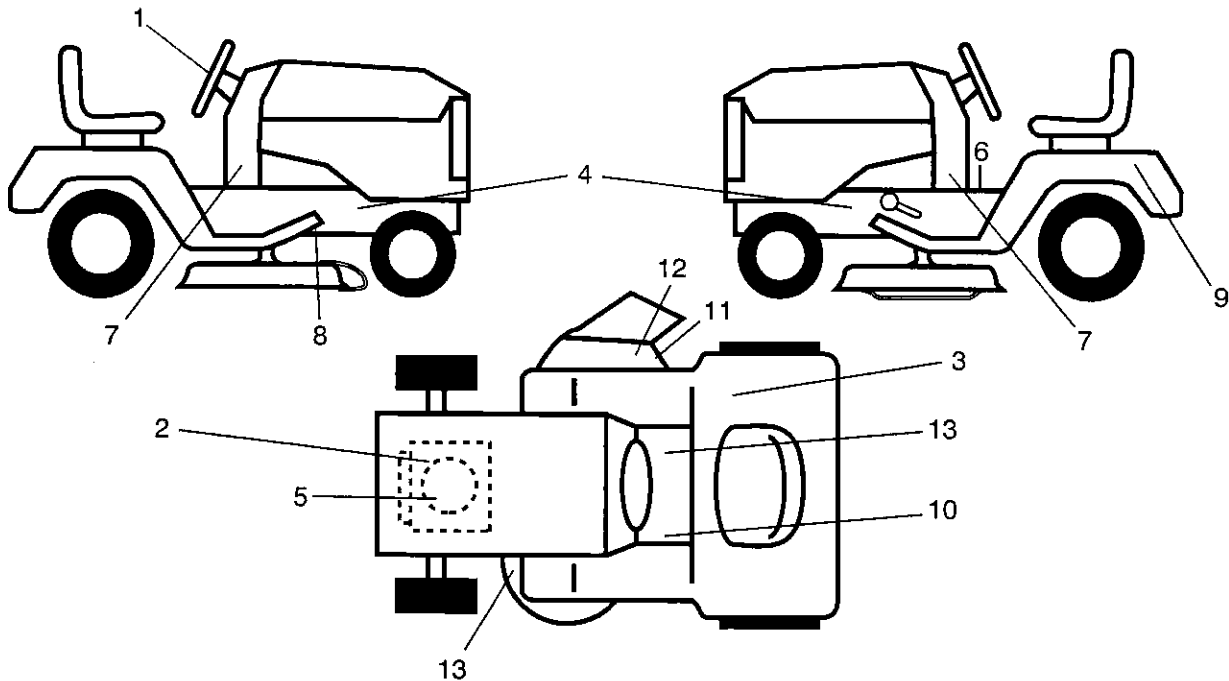
KEY NO.	PART NO.	DESCRIPTION	KEY NO.	PART NO.	DESCRIPTION
2	195223	Shaft Asm., Lift	97	17000612	Screw 3/8-16 x .75
3	195231	Lever Asm., Lift RH	98	195270	Link Lift Susp. Front Mower
7	196492X428	Grip, Lever	100	73930600	Nut Centerlock 3/8-16 unc
10	196314	Spring Torsion	101	407003	Link Asm Lift FXD
87	194209	Pin Cotter 7/16 Bow Tie Lock	113	19171912	Washer 17/32 X 1-3/16 X 12 Ga
88	410710	Spring Lift Assist			
89	19191912	Washer Clear Zinc			
90	194208	Pin Cotter 5/16 Bow Tie Lock			
91	195181	Link Lift Susp Mower Rear			

**NOTE:** All component dimensions give in U.S. inches  
1 inch = 25.4 mm



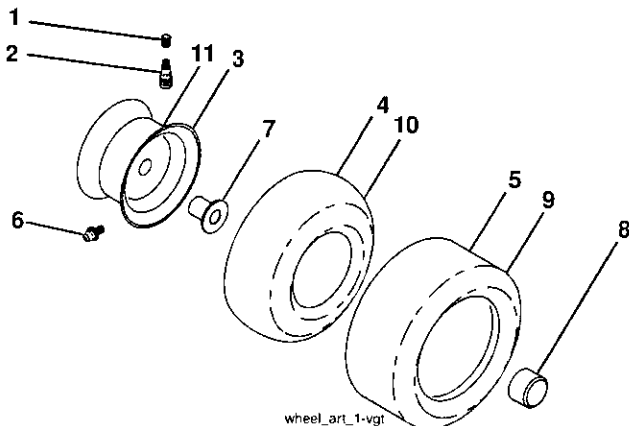
# TRACTOR -- MODEL NUMBER 917.254140

## DECALS



KEY NO.	PART NO.	DESCRIPTION	KEY NO.	PART NO.	DESCRIPTION
1	422885	Decal, Steering	12	182166	Decal, Cutfinger CE
2	196841	Decal, Warning Engine Symbols	13	140837	Decal, Saddle Brake Parking
3	180432	Decal, Fender 100 DB/CE	--	162598	Decal, Drawbar Load Limit
4	159736	Decal, Chassis Hot Muffler	--	193226X428	Pad, Footrest LH
5	420133	Decal, Engine HP	--	193227X428	Pad, Footrest RH
6	400389	Decal, Fender Operator's	--	166960	Decal, Bypass
7	425787	Decal, Lower Dash	--	427730	Manual, Operator's (Euro)
8	199135	Decal, V-Belt Schematic Drive	--	427731	Manual, Operator's (Scand)
9	145005	Decal, Battery Dnge/Poi	--	427732	Manual, Operator's (E-Bloc)
10	159737	Decal, Brake/Clutch Symbol	--	427733	Manual, Operator's (Baltic)
11	196357	Decal, Deflector Wrn Cutfinger Symbol	--	427590	Manual, Parts

## WHEELS & TIRES

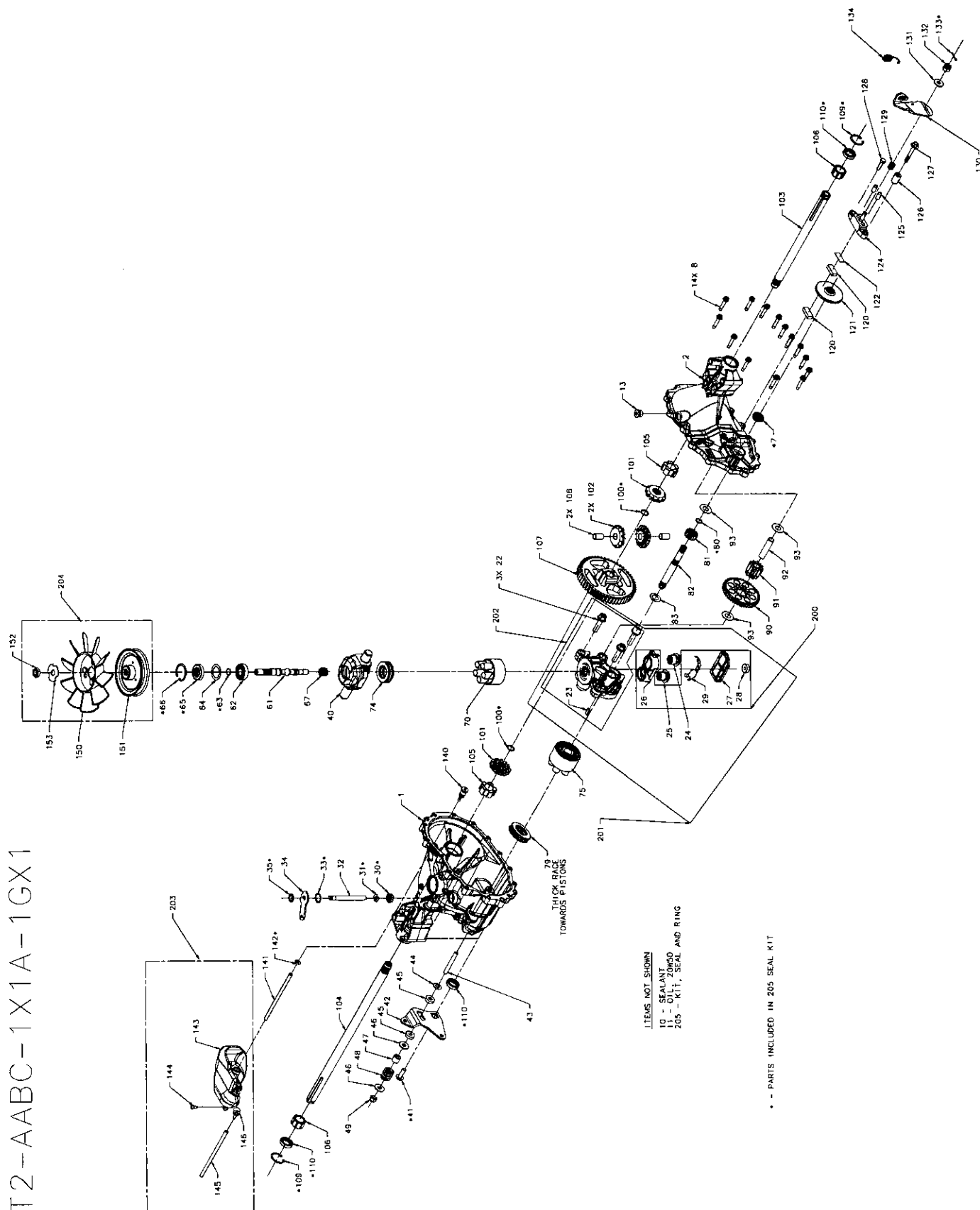


KEY NO.	PART NO.	DESCRIPTION
1	59192	Cap, Valve, Tire
2	65139	Stem, Valve
3	106732X613	Rim Assembly, Front
4	59904	Tube, Front
5	106222X	Tire, Front
6	278H	Fitting, Grease
7	9040H	Bearing, Flange
8	104757X428	Cap, Axle (Front Wheel Only)
9	420531	Tire, 18 x 9.5-8 TurfSaver LT
10	7152J	Tube, Rear
11	106108X613	Rim Assembly, Rear
--	144334	Sealant, Tire (10 oz. Tube)

**NOTE:** All component dimensions give in U.S. inches  
1 inch = 25.4 mm

TRACTOR - - MODEL NUMBER 917.254140

HYDRO GEAR TRANSAXLE - MODEL NUMBER T2



T2-AABC-1X1A-1GX1

ITEMS NOT SHOWN  
 10 - SEALANT  
 205 - OIL SEAL AND RING  
 206 - OIL SEAL AND RING

\* - PARTS INCLUDED IN 205 SEAL KIT

THICK RING  
 TOWARDS PISTONS

## TRACTOR - - MODEL NUMBER 917.254140

### HYDRO GEAR TRANSAXLE - MODEL NUMBER T2

KEY NO.	PART NO.	DESCRIPTION	KEY NO.	PART NO.	DESCRIPTION
1	412015	Kit, Hsg, Main	92	412050	Jack Shaft (P1n)
2	412016	Kit, Hsg, Side	93	170418	Washer.51x1.10x.03
7	422987	Seal, Lip .50x1.0x.25 Tc	100	170393	Ring, Ret - Spiral .625 Ext
8	170356	Hfhcs 1/4-20 X 1 .25"	101	401260	Gear, Bevel 12t Spillne Id
10	178322	Sealant	102	401261	Gear, Bevel 12t .50 Id
11	N/A	Oil, 20w50	103	170391	Shaft, Axle, Keyed, 11.39 X 0.75
13	170434	Plug 9/16-18 (Metal)	104	170392	Shaft, Axle, Keyed, 16.99 X 0.75
22	412022	Bolt, Hex Flange. 3/8-16, C/S	105	412052	Bushing, Inboard
23	412023	Plate, Bypass	106	412053	Bushing, Outboard
24	170420	Assembly, Check Plug w/Washer. .027	107	412054	Gear, 53t Bull
25	412024	Assembly, Check Plug w/Washer, .027, Spring	108	421055	Pin. Differential
26	412025	Base, Filter	109	412056	Ring, Ret, Int Axle
27	412026	Cover, Filter	110	142961	Seal, Lip.75x1.125x.25 Tc
28	170395	Ring, Magnet	120	142883	Puck, Brake
29	412027	Deflector	121	412057	Rotor, Brake
30	412028	Seal, Lip.375x.75x.25 Tc	122	142882	Plate, Puck
31	412029	Ring, Ret .375 Ext	124	142929	Yoke, Brake
32	412030	RoD, Actuator Bypass	125	142887	Pin. Brk .31x.73 Plated
33	412031	Ring, Ret .750 Int	126	161174	Spacer .26x.57x.87
34	412032	Arm. Bypass	127	170410	Hfhcs 1/4-20 X 2.0 W/Patch
35	412033	Ring, Ret .375 Ext	128	142892	Hhcs 1/4-20x1 (Patch)
40	412034	Trunnion. Swash Plate	129	161181	Spring. Comp Brake Anti-Drag
41	412035	Screw 5/16-18x1	130	142954	Arm, Brake
42	412036	Arm, Cntrl	131	142884	Washer .34x.88x.06
43	412037	Screw. Set 3/16-24 X 2.50	132	142885	Nut, Castle 5/16-24 PI
44	412038	Washer, Belleville	133	142886	Pin, Cotter 3/32x3/4
45	412039	Washer,Plastic, .32x.80x.21	134	189386	Spring, Brake Arm Bias
46	142884	Washer .34x.88x.06	140	170425	5/16 Sae, 5/32 Tube
47	142980	Spacer .32x.59x.50	141	412058	Hose
48	142969	Spring, Helical Comp	142	170435	O-Ring .103x.299 Id
49	150778	Nut, Hex 5/16-24 Nylon Lnsert	143	412059	Tank. Expansion
61	412040	Shaft, Lnput	144	422988	Bolt, Self-Tapping 10-32x1/2
62	142934	Ball Bear L Ng 15x35x 1 1	145	412058	Hose
63	142928	Ring, Ret Wire .512 Id	146	401264	Cap, Barbed Vent
64	161125	Washer 1.23x1.56x.04	150	170439	Fan, 7", 10 Blade
65	142932	Seal, Lip 15x35x7	151	412061	Pulley, Flanged, 4.13"
66	142933	Ring, Ret 1.56 Int	152	170441	Nut, Hex Lock, 1/2-20 (Nylon Insert)
67	412041	Spring. Helical	153	170442	Washer,Odslotted .53x1.63x.06
70	412042	Kit, Block, Cyl 8cc	200	412062	Kit, Filter
74	412043	Brg, Thrust Ball 27x47x14	201	412063	Kit, Center Section W/Filter
75	169898	Kit, Block, Cyl 10cc Rm	202	412064	Kit, Center Section
79	150771	Brg, Thrust Ball 30x52x13	203	412065	Kit, Tank Expansion
80	412044	Ring, Ret .50 Ext	204	412066	Kit, Fan & Pulley
81	412045	Gear. 13t Pinion	205	412067	Kit, Seal
82	412046	Shaft, Motor			
83	412047	Washer .60x1.00x.03			
90	412048	Gear, 11t/48t			
91	412049	Gear, Jackshaft 11t			

**NOTE:** All component dimensions give in U.S. inches  
1 inch = 25.4 mm

TRACTOR - - MODEL NUMBER 917.254140

BRIGGS & STRATTON ENGINE-MODEL NUMBER 445677, TYPE NUMBER 1344-B1

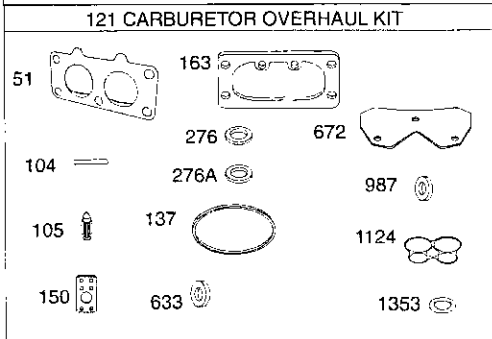
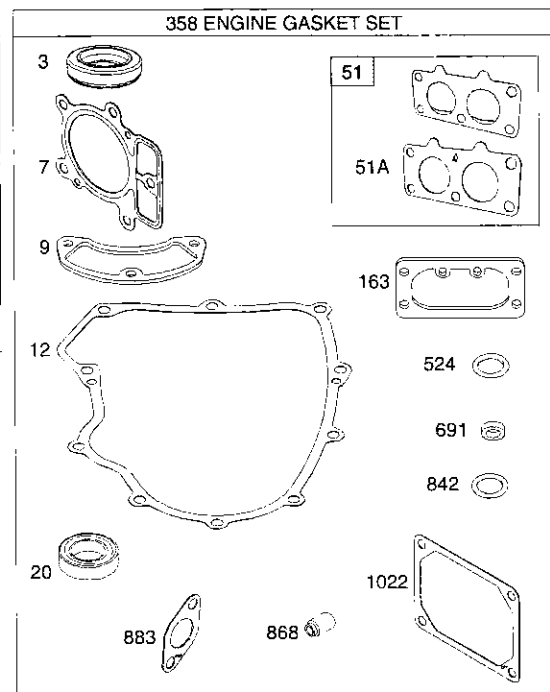
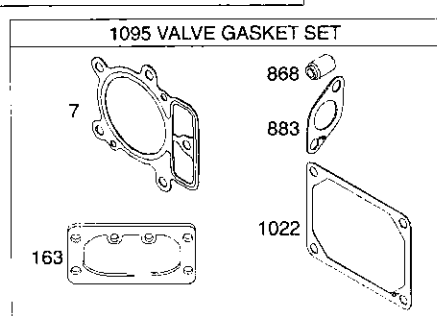
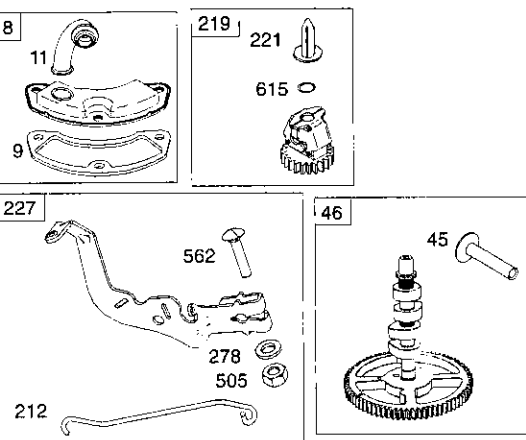
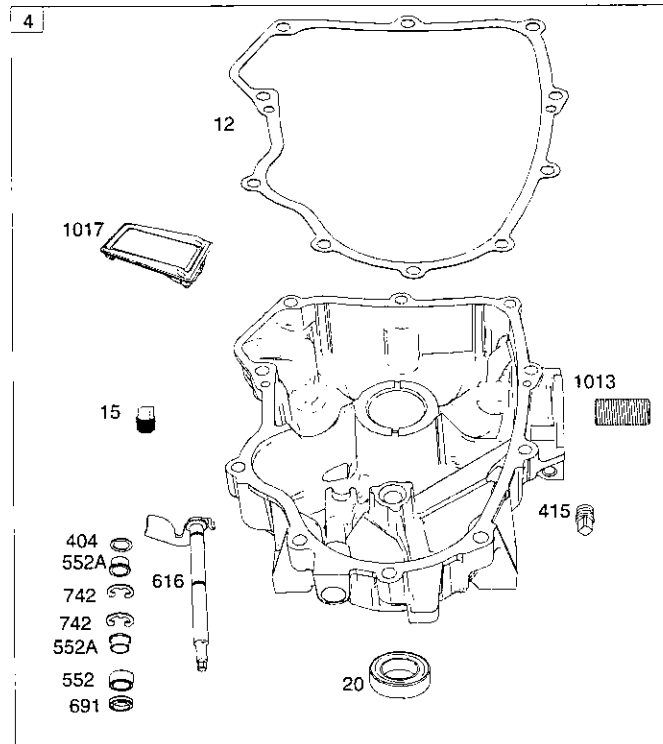
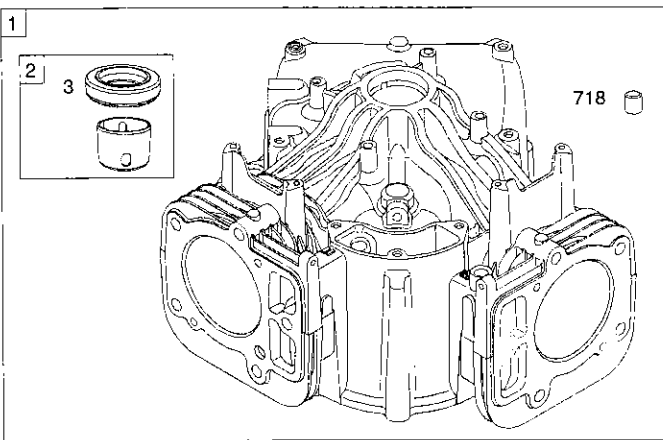
48 SHORT BLOCK

1058 OPERATOR'S MANUAL

1329 REPLACEMENT ENGINE

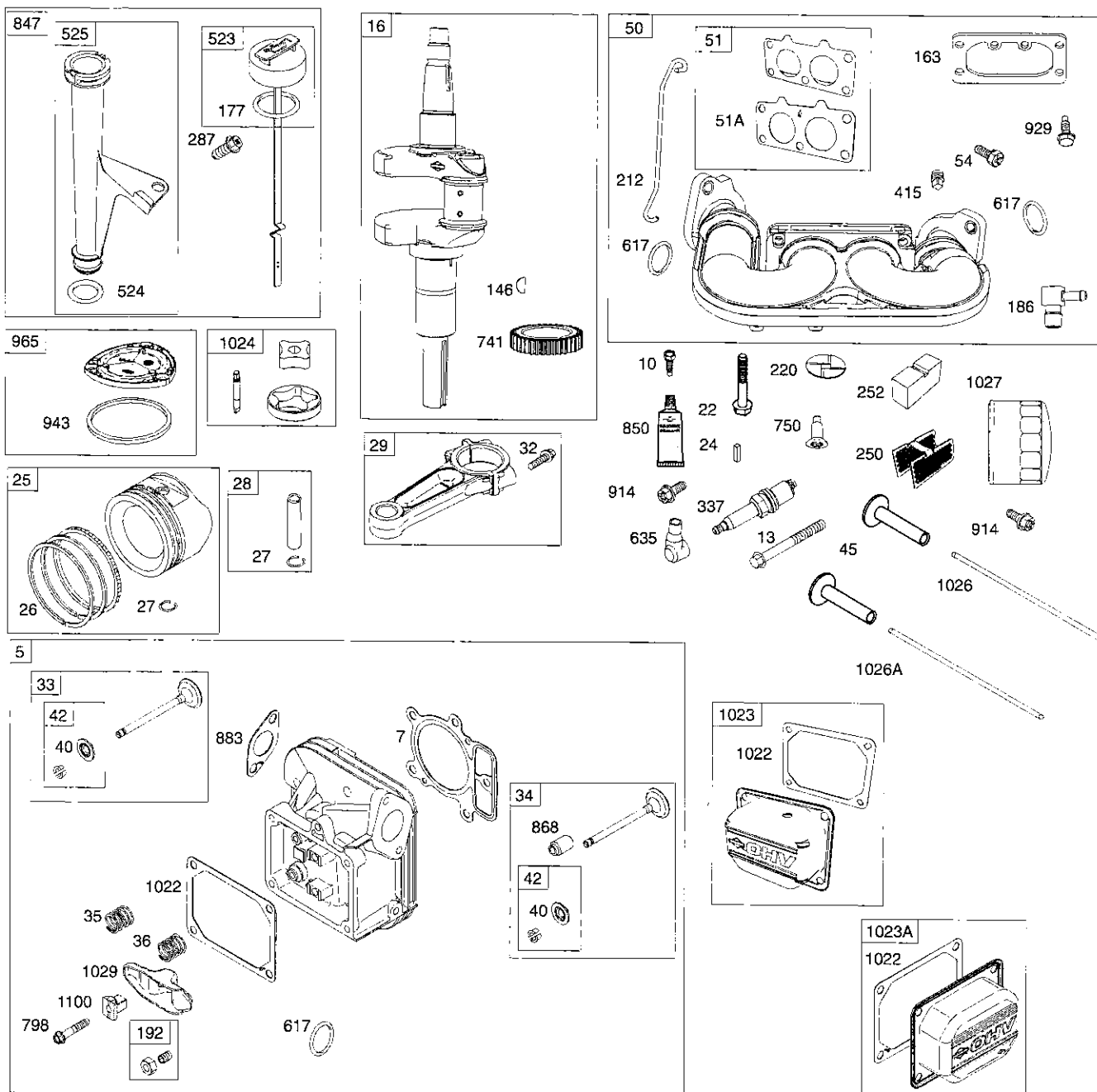
1330 REPAIR MANUAL

LIQUID GASKET AND THE BREATHER GASKET ARE INTERCHANGEABLE



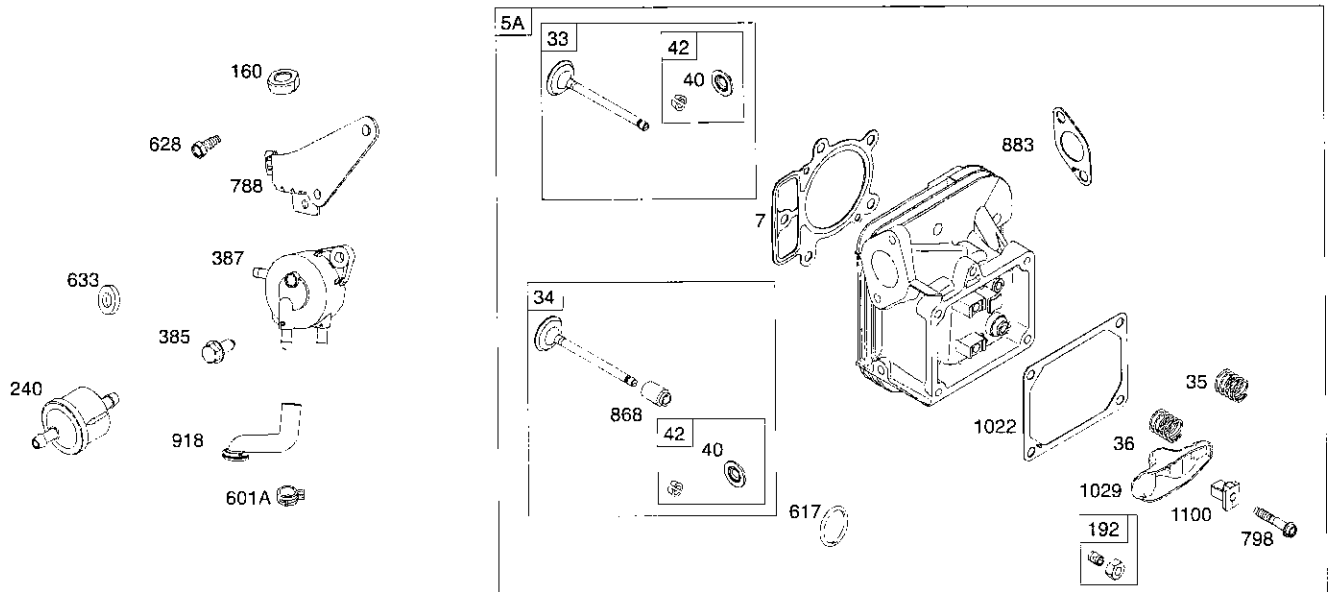
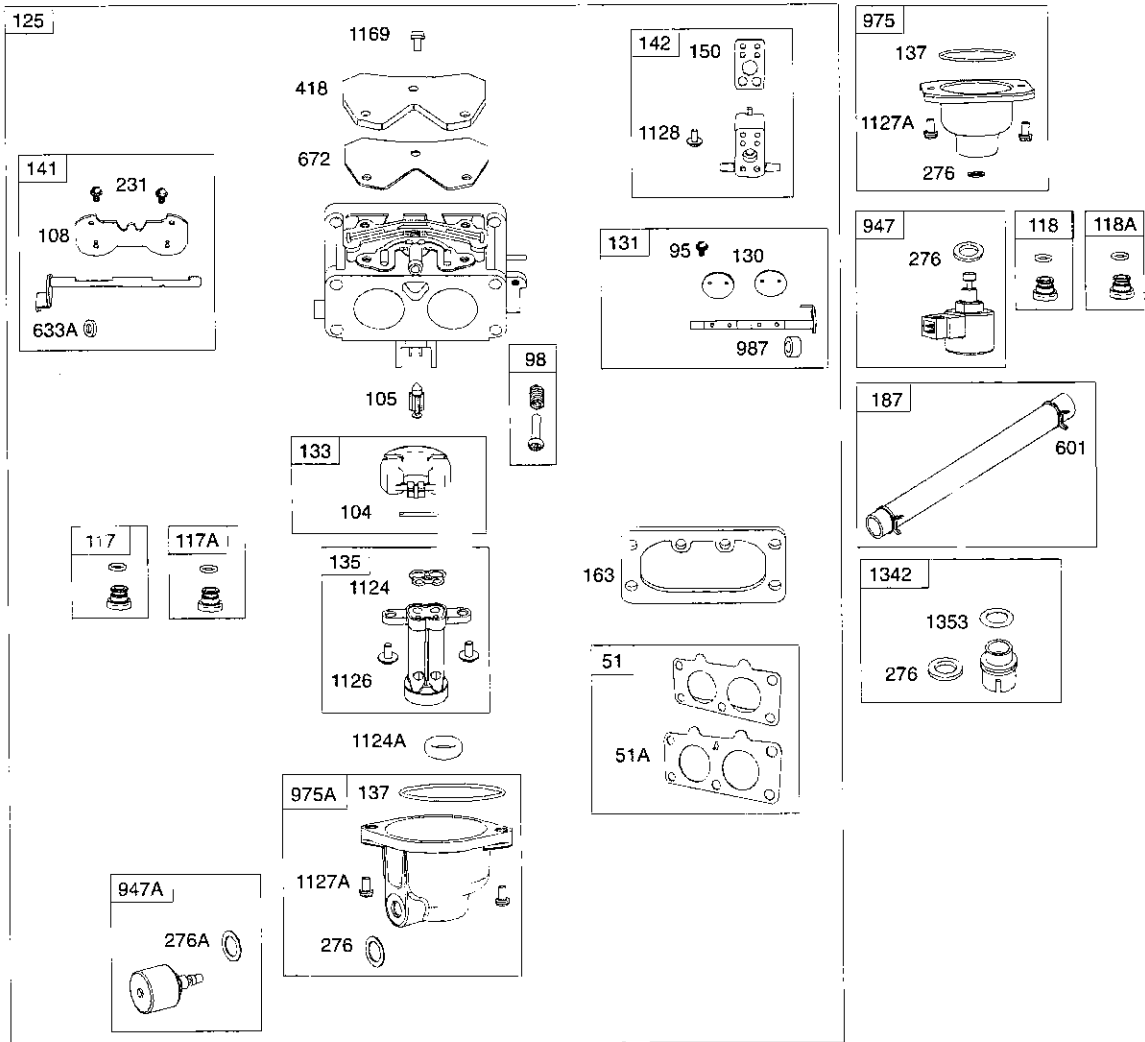
TRACTOR -- MODEL NUMBER 917.254140

BRIGGS & STRATTON ENGINE-MODEL NUMBER 445677, TYPE NUMBER 1344-B1



TRACTOR -- MODEL NUMBER 917.254140

BRIGGS & STRATTON ENGINE-MODEL NUMBER 445677, TYPE NUMBER 1344-B1



## TRACTOR - - MODEL NUMBER 917.254140

### BRIGGS & STRATTON ENGINE-MODEL NUMBER 445677, TYPE NUMBER 1344-B1

KEY NO.	PART NO.	DESCRIPTION	KEY NO.	PART NO.	DESCRIPTION
1	793564	Cylinder Assembly	135	699729	Tube-Fuel Transfer
2	499585	Bushing/Seal Kit (Magneto Side)	137♣	690994	Gasket-Float Bowl
3	•391086s	Seal-Oil (Magneto Side)	141	699722	Kit-Choke Shaft
4	796230	Sump-Engine	142	699726	Nozzle-Carburetor
5	796231	Head-Cylinder (Cylinder #1)	146	690979	Key-Timing
5A	796232	Head-Cylinder (Cylinder #2)	150	690995	Gasket-Nozzle
7♦	693997	Gasket-Cylinder Head	160	699727	Retainer-Solenoid (Brass) (Original Carburetor)
8	792185	Breather Assembly	163	691001	Gasket-Air Cleaner
9	•690937	Gasket-Breather (Liquid Gasket and The Breather Gasket Are Interchangeable)	177	691031	Seal-O Ring (Dipstick)
10	697551	Screw (Breather Assembly)	187	791766	Line-Fuel (Cut to Required Length)
11	792184	Tube-Breather	188	697551	Screw (Control Bracket)
12	•697227	Gasket-Crankcase	192	690083	Adjuster-Rocker Arm
13	793988	Screw (Cylinder Head)	197	697820	Screw (Back Plate)
15	690946	Plug-Oil Drain	209	796224	Spring-Governor (Yellow/Black)
16	796540	Crankshaft	211	796225	Spring-Governed Idle (Orange)
20	•795387	Seal-Oil (PTO Side)	212	695238	Link-Throttle
22	694966	Screw (Crankcase Cover/Sump)	213	691021	Bracket-Choke Control
23	691054	Flywheel	216	691022	Link-Choke
24	222698s	Key-Flywheel	219	793338	Gear-Governor
25	792023	Piston Assembly (Standard)	220	690412	Washer (Governor Gear)
	792072	Piston Assembly (.020" Oversize)	221	841026	Cup-Governor
26	793561	Ring Set (Standard)	222	796630	Bracket-Control
	792073	Ring Set (.020" Oversize)	227	796223	Lever-Governor Control
27	690975	Lock-Piston Pin	231	690718	Screw (Choke Valve)
28	696581	Pin-Piston	240	691035	Filter-Fuel
29	699699	Rod-Connecting	250	690957	Retainer-Breather
32	690976	Screw (Connecting Rod)	252	794389	Collector-Oil
33	697576	Valve-Exhaust	265	691024	Clamp-Casing
34	792200	Valve-Intake	267	792629	Screw (Casing Clamp)
35	694865	Spring-Valve (Intake)	276	794271	Washer-Sealing (Aluminum)
36	694865	Spring-Valve (Exhaust)	276A	695410	Washer-Sealing (Used On Service Carburetor)
40	690964	Retainer-Valve	278	792651	Washer (Governor Control Lever)
42	499586	Keeper-Valve	287	697551	Screw (Dipstick Tube)
45	690977	Tappet-Valve	304	796597	Housing-Blower
46	792555	Camshaft	305	691005	Screw (Blower Housing)
48	698172	Short Block	305A	698336	Screw (Blower Housing)
50	695241	Manifold-Intake	305B	790690	Screw (Blower Housing) (Blower Housing to Intake Elbow)
51♦♦♣	795123	Gasket-Intake	309	499521	Motor-Starter
51A♦♦♣	690950	Gasket-Intake	310	691263	Screw (Starter Motor)
53	690951	Stud (Carburetor)	332	691059	Nut (Flywheel)
54	699816	Screw (Intake Manifold)	333	691060	Armature-Magneto
73	494439	Screen-Rotating	334	691061	Screw (Magneto Armature)
74	698425	Screw (Rotating Screen)	337	691043	Plug-Spark
75	691056	Washer (Flywheel)	358	694012	Gasket Set-Engine
95	690718	Screw (Throttle Valve)	385	697551	Screw (Fuel Pump)
98	699721	Kit-Idle Speed	387	808656	Pump-Fuel
104♣	694918	Pin-Float Hinge	404	690442	Washer (Governor Crank)
105♣	698537	Valve-Float Needle	415	794903	Plug (Oil Pressure Switch Hole)
- -	699723	Valve-Choke	415A	690283	Plug (Intake Manifold)
117	791501	Jet-Main (Standard) (Left)	418	795912	Plate-Carburetor
117A	791502	Jet-Main (Standard) (Right)	431	790816	Elbow-Intake
118	695415	Jet-Main (High Altitude) (Left)	445	499486s	Filter-Air Cleaner Cartridge
118A	843099	Jet-Main (High Altitude) (Right)	447	691003	Screw (Air Guide Cover) (Long)
121	792455	Kit-Carburetor Overhaul	447A	697551	Screw (Air Guide Cover) (Short)
125	791230	Carburetor	462	691261	Washer (Starter Cable)
130	690993	Valve-Throttle	467	691008	Knob-Air Cleaner
131	499805	Kit-Throttle Shaft			
133	699724	Float-Carburetor			

**TRACTOR - - MODEL NUMBER 917.254140**

**BRIGGS & STRATTON ENGINE-MODEL NUMBER 445677, TYPE NUMBER 1344-B1**

KEY NO.	PART NO.	DESCRIPTION	KEY NO.	PART NO.	DESCRIPTION
474	696459	Alternator	965	796221	Cover-Oil Pump
505	691029	Nut (Governor Control Lever)	967	273638s	Filter-Pre Cleaner
510	696541	Drive-Starter	968	791242	Cover-Air Cleaner
513	692024	Clutch-Drive	975	499810	Bowl-Fuel
523	691036	Dipstick	975A	793592	Bowl-Fuel (Used On Service Carburetor)
524	•691032	Seal-Dipstick Tube	987	◆691000	Seal-Throttle Shaft
525	691037	Tube-Dipstick	1005	791236	Fan-Flywheel
544	Armature	Starter (Service by 499521 Starter Motor Only, Reference 309)	1013	690954	Nipple-Oil Filter
552	690552	Bushing-Governor Crank	1017	796214	Screen-Oil Pump
552A	690553	Bushing-Governor Crank	1022	◆ 690971	Gasket-Rocker Cover (Liquid Gasket and Rocker Cover Gasket are interchangeable)
562	690311	Screw (Governor Control Lever)	1023	793146	Cover-Rocker (Cylinder #1)
573	790444	Plate-Back	1023A	499600	Cover-Rocker (Cylinder #2)
601	791850	Hose-Clamp (Green)	1024	796220	Pump-Oil
601A	691038	Hose-Clamp (Black)	1026	690981	Rod-Push (Steel)
615	698290	Retainer-Governor Shaft	1026A	690982	Rod-Push (Aluminum)
616	691045	Crank-Governor	1027	492932s	Filter-Oil
617	◆ 697891	Seal-O Ring (Intake Manifold) (Red)	1029	690972	Arm-Rocker
628	697551	Screw (Fuel Pump Bracket)	1036		Label-Emissions (Available from a Briggs & Stratton Authorized Dealer)
633	699813	Seal-Choke/Throttle Shaft (Choke Shaft)	1040	791237	Plate-Trim
633A	690998	Seal-Choke/Throttle Shaft (Choke Shaft)	1051	691265	Ring-Retaining
635	66538s	Boot-Spark Plug	1054	280275	Tie-Cable
654	690958	Nut (Carburetor)	1058	276245	Operator's Manual
668	691215	Spacer (Rotating Screen)	1059	698516	Kit-Screw/Washer
672	690234	Gasket-Carburetor Plate	1070	791680	Screw (Flywheel Fan)
691	•790574	Seal-Governor Shaft	1090	691293	Retainer-Brush
697	690372	Screw (Drive Cap)	1095	694013	Gasket Set-Valve
703	691010	Clip	1000	791959	Pivot-Rocker Arm
718	690959	Pin-Locating	1119	691183	Screw (Alternator)
741	690980	Gear-Timing	1124	690988	Seal-O Ring (Fuel Transfer Tube)
742	690328	Retainer-E Ring	1124A	842653	Seal-O Ring (Fuel Transfer Tube) (Used On Service Carburetor)
750	796208	Screw (Oil Pump Cover)	1126	690991	Screw (Fuel Transfer Tube)
783	695708	Gear-Pinion	1127	690992	Screw (Float Bowl) (M5x10mm)
788	793145	Bracket-Fuel Pump	1127A	695407	Screw (Float Bowl) (Used On Service Carburetor) (M5x16mm)
789	698330	Harness-Wiring	1128	690990	Screw (Carburetor Nozzle)
798	697890	Screw (Rocker Arm)	1169	690990	Screw (Carburetor Cover Plate)
801	691283	Cap-Drive	1329	44Q7770037G1	Replacement Engine
802	691286	Cap-End	1330	273521	Repair Manual
803	Housing	Starter (Service by 499521 Starter Motor Only, Reference 309)	1342	699731	Extension-Fuel Transfer Tube (Original Carburetor)
847	499602	Dipstick/Tube Assembly	1353	699725	Seal-O Ring (Fuel Transfer Tube Extension)
850	100106	Sealant-Liquid (Used to Seal Breather Assembly and Rocker Cover)			
851	493880s	Terminal-Spark Plug			
865	691012	Cover-Air Guide (Cylinder #1)			
865A	796541	Cover-Air Guide (Cylinder #2)			
865B	691015	Cover-Air Guide (Cylinder #3)			
868	◆ 690968	Seal-Valve			
877	790544	Wire/Connector-Alternator			
883	•690970	Gasket-Exhaust			
914	691127	Screw (Rocker Cover)			
918	793147	Hose-Vacuum			
929	695239	Screw (Choke Control Bracket)			
943	•796222	Seal-O Ring (Oil Pump Cover)			
947	699728	Solenoid-Fuel (Original Carburetor)			
947A	841546	Solenoid-Fuel (Used On Service Carburetor)			

- Included in Engine Gasket Set, Key. No. 358
- ◆ Included in Valve Gasket Set, Key No. 1095
- ♣ Included in Carburetor Overhaul Kit, Key, No. 121

**NOTE:** All component dimensions given in U.S. inches  
1 inch = 25.4 mm



---

# SERVICE NOTES

---

---

# SERVICE NOTES

---

---

# SERVICE NOTES

---

### **LIMITED WARRANTY ON CRAFTSMAN RIDING EQUIPMENT**

For two (2) years from the date of purchase, if this Craftsman Riding Equipment is maintained, lubricated and tuned up according to the instructions in the owner's manual, Sears will repair or replace free of charge any parts that are found to be defective in material or workmanship according to the guidelines of coverage listed below. Sears will also provide free labor for these applicable warranted parts for the two full years. During the first 30 days of purchase, there will be no charges to service the product at your home for issues covered by this warranty. (See exclusions below). For your convenience, IN HOME warranty service will still be available after the first 30 days of purchase, but a trip charge will apply. This charge will be waived if the Craftsman product is dropped off at an authorized Sears location. For the nearest authorized Sears location, please call 1-800-4-MY-HOME®. This warranty applies only while this product is within the United States.

This Warranty does not cover:

- Expendable items which become worn during normal use, including but not limited to blades, spark plugs, air cleaners, belts, and oil filters.
- Standard Maintenance Servicing, oil changes, or tune-ups
- Tire replacement or repair caused by punctures from outside objects, such as nails, thorns, stumps, or glass.
- Repairs necessary because of operator abuse, including but not limited to, damage caused by towing objects beyond the capability of the riding equipment, impacting objects that bend the frame or crankshaft, or over-speeding the engine.
- Repairs necessary because of operator negligence, including but not limited to, electrical and mechanical damage caused by improper storage, failure to use the proper grade and amount of engine oil, failure to keep the deck clear of flammable debris, or failure to maintain the equipment according to the instructions contained in the owner's manual.
- Engine (fuel system) cleaning or repairs caused by fuel determined to be contaminated or oxidized (stale). In general, fuel should be used within 30 days of its purchase date.
- Normal deterioration and wear of the exterior finishes, or product label replacement.
- Riding equipment used for commercial or rental purposes.

### **LIMITED WARRANTY ON BATTERY**

For ninety (90) days from date of purchase, if any battery included with this riding equipment proves defective in material or workmanship and our testing determines the battery will not hold a charge, Sears will replace the battery at no charge. During the first 30 days of purchase, there will be no charges to replace the battery at your HOME. After the first 30 days, for your convenience, IN-HOME warranty service will still be available but a trip charge will apply. This charge will be waived if the Craftsman product is dropped off at an authorized Sears location. For the nearest authorized Sears location, please call 1-800-4-MY-HOME®.

This battery warranty applies only while this product is within the United States.

This warranty gives you specific legal rights, and you may also have other rights, which vary, from state to state.

Sears, Roebuck and Co., Hoffman Estates, IL 60179

