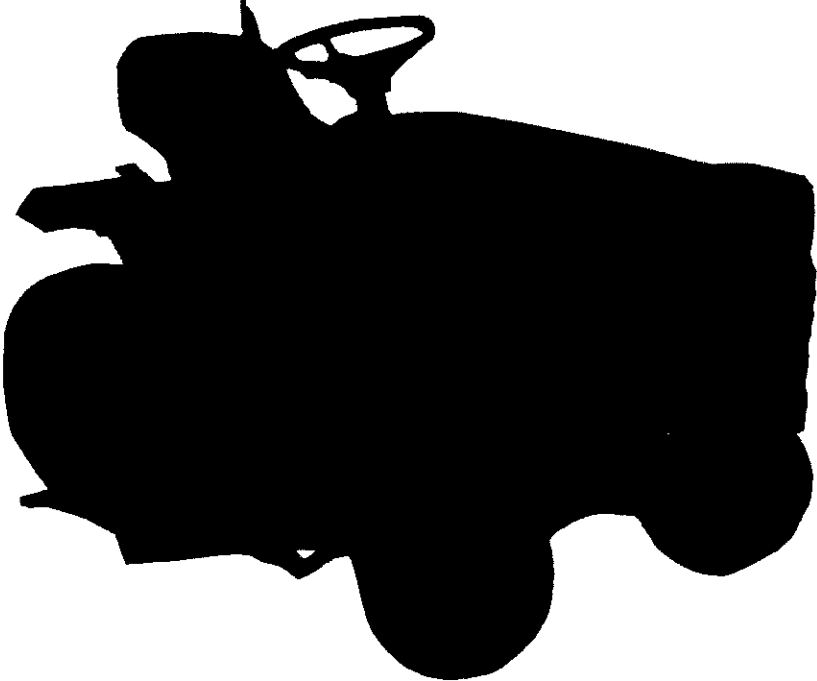


**SEARS**  
OWNERS  
MANUAL

MODEL NO.  
917.254323

Caution:  
Read and Follow  
All Safety Rules  
and Instructions  
Before Operating  
This Equipment



**CRAFTSMAN**  
**YT 16 HP TWIN CYLINDER**  
**5 SPEED - 44" MOWER**  
**YARD TRACTOR**

- *Assembly*
- *Operation*
- *Maintenance*
- *Repair and Adjustment*
- *Repair Parts*

## SAFETY RULES

1. Know the controls and how to stop quickly. READ THIS OPERATOR'S MANUAL and instructions furnished with attachments.
2. Do not allow children to operate the machine. Do not allow adults to operate it without proper instruction.
3. Do not carry passengers. Do not mow when children and others are around.
4. Always wear substantial footwear. Do not wear loose fitting clothing that could get caught in moving parts.
5. Keep your eyes and mind on your tractor, mower and the area being cut. Do not let other interests distract you.
6. Do not attempt to operate your tractor or mower when not in the drivers seat.
7. Always get on or off your tractor from the operator's left hand side.
8. Clear the work area of objects (wire, rocks, etc.) which might be picked up and thrown.
9. Disengage all attachment clutches before attempting to start the engine.
10. Disengage power to attachments and stop the engine before leaving the operator's position.
  - 1.1. Disengage power to mower, stop the engine and disconnect spark plug wire(s) from spark plug(s) before cleaning, making an adjustment or repair. Be careful to avoid touching hot muffler or engine components.
  - 1.2. Disengage power to attachments when transporting or not in use.
13. Take all possible precautions when leaving the vehicle unattended. Disengage the power-take-off, lower the attachments, shift into neutral, set the parking brake, stop the engine and remove the key.
14. Do not stop or start suddenly when going, uphill or downhill. Mow up and down the face of slopes (not greater than 15°); never across the face. Refer to page 51.
15. Reduce speed on slopes and make turns gradually to prevent tipping or loss of control. Exercise extreme caution when changing direction on slopes.
16. While going up or down slopes, place Gear Shift Control Lever in 1st gear position to negotiate the slope without stopping.
17. Never mow in wet or slippery grass, when traction is unsure or at a speed which could cause a skid.
18. Stay alert for holes in the terrain and other hidden hazards. Keep away from drop-offs.
19. Do not drive too close to creeks, ditches and public highways.
20. Exercise special care when mowing around fixed objects in order to prevent the blades from striking them. Never deliberately run tractor or mower into or over any foreign objects.
21. Never shift gears until tractor comes to a stop.
22. Never place hands or feet under the mower, in discharge chute or near any moving parts while tractor or mower are running. Always keep clear of discharge chute.
23. Use care when pulling loads or using heavy equipment.
  - a. Use only approved drawbar hitch points.
  - b. Limit loads to those you can safely control.
  - c. Do not turn sharply. Use care when backing.
  - d. Use counterweight or wheel weights when suggested in the owner's manual.
24. Watch out for traffic when crossing or near roadways.
25. When using any attachments, never direct discharge of material toward bystanders nor allow anyone near the vehicle while in operation.
26. Handle gasoline with care - it is highly flammable.
  - a. Use approved gasoline containers .
  - b. Never remove the fuel cap of the fuel tank or add gasoline to a running or hot engine or an engine that has not been allowed to cool for several minutes after running. Never fill tank indoors, always clean up spilled gasoline.
  - c. Open doors if the engine is run in the garage - exhaust fumes are dangerous. Do not run the engine indoors.
27. Keep the vehicle and attachments in good operating condition, and keep safety devices in place and working.
28. Keep all nuts, bolts and screws tight to be sure the equipment is in safe working condition.
29. Never store the equipment with gasoline in the tank inside a building where fumes may reach an open flame or spark. Allow the engine to cool before storing in any enclosure.
30. To reduce fire hazard, keep the engine free of grass, leaves or excessive grease. Do not clean product while engine is running.
31. Except for adjustments; DO NOT operate Engine if air cleaner or cover directly over carburetor air intake is removed. Removal of such part could create a fire hazard.
32. Do not operate without a muffler or tamper with exhaust system. Damaged mufflers or spark arresters could create a fire hazard. Inspect periodically and replace if necessary.
33. The vehicle and attachments should be stopped and inspected for damage after striking a foreign object and the damage should be repaired before restarting and operating the equipment.
34. Do not change the engine governor settings or overspeed the engine; severe damage or injury may result.
35. When using the vehicle with mower, proceed as follows;
  - a. Mow only in daylight or in good artificial light.
  - b. Shut the engine off when unclogging chute.
  - c. Check the blade mounting bolts for proper tightness at frequent intervals.
36. Do not operate the mower without the deflector shield in place.
37. Disengage power to mower before backing up. Do not mow in reverse unless absolutely necessary and then only after careful observation of the entire area behind the mower.
38. Under normal usage the grass catcher bag material is subject to deterioration and wear. It should be checked frequently for bag replacement. Replacement bags should be checked to ensure compliance with the original manufacturer's recommendations or specifications.



LOOK FOR THIS SYMBOL TO POINT OUT IMPORTANT SAFETY PRECAUTIONS. IT MEANS - ATTENTION! BECOME ALERT! YOUR SAFETY IS INVOLVED.

CAUTION:

LOOK FOR THIS WORD TO POINT OUT IMPORTANT EQUIPMENT PRECAUTIONS.

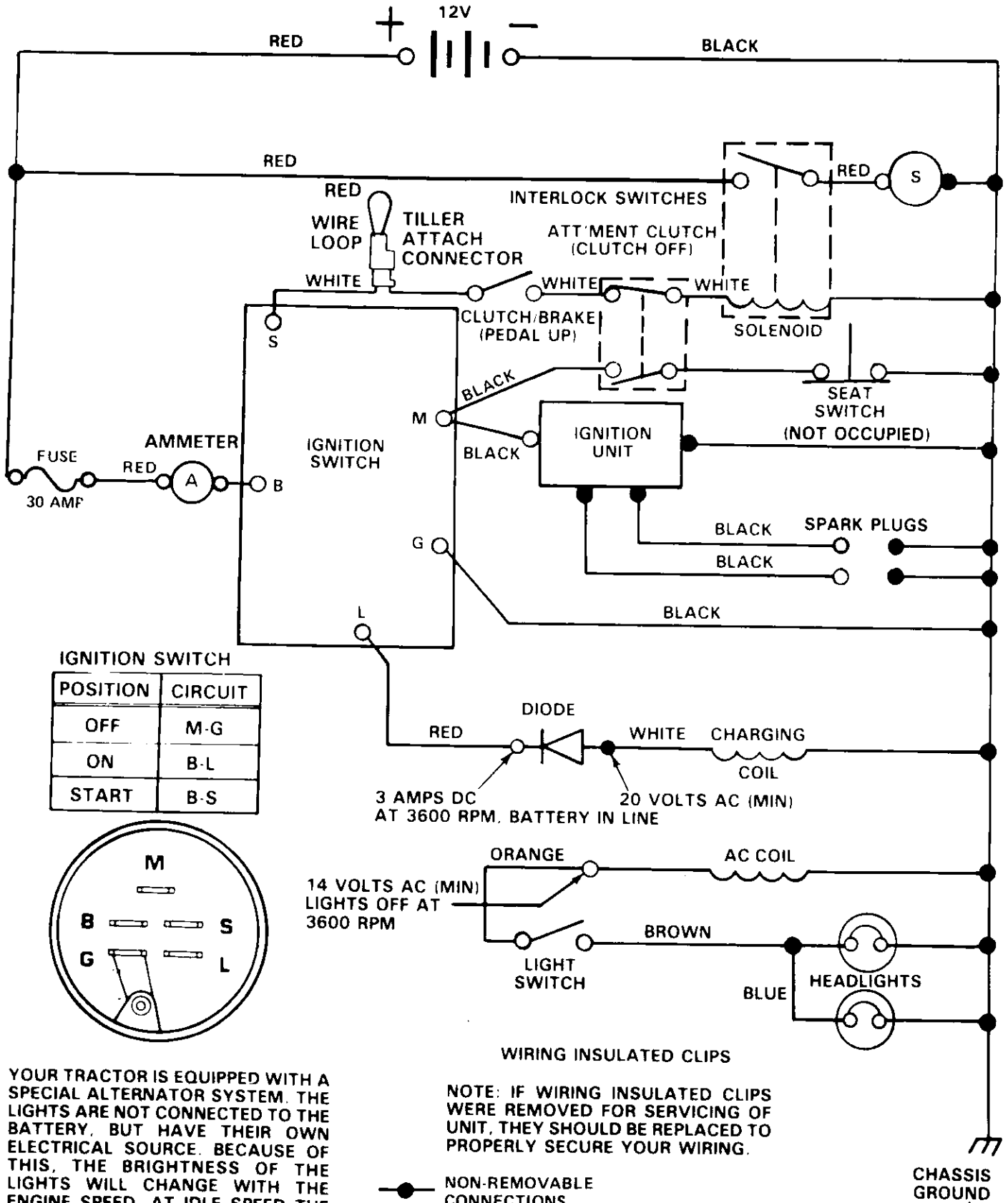


*This unit is equipped with an internal combustion engine and should not be used on or near any unimproved forest covered, brush covered or grass covered land unless the engine's exhaust system is equipped with a spark arrester meeting applicable local or state laws (if any). If a spark arrester is used, it should be maintained in effective working order by the operator.*

*In the State of California the above is required by law (Section 4442 of the California Public Resources Code). Other states may have similar laws. Federal laws apply on federal lands. Refer to Repair Parts Section page 34.*

# 16 H.P. 44" RIDING YARD TRACTOR - MODEL NUMBER 917.254323

## SCHEMATIC



YOUR TRACTOR IS EQUIPPED WITH A SPECIAL ALTERNATOR SYSTEM. THE LIGHTS ARE NOT CONNECTED TO THE BATTERY, BUT HAVE THEIR OWN ELECTRICAL SOURCE. BECAUSE OF THIS, THE BRIGHTNESS OF THE LIGHTS WILL CHANGE WITH THE ENGINE SPEED. AT IDLE SPEED THE LIGHTS WILL DIM. AS THE ENGINE IS SPEEDED UP, THE LIGHTS WILL BECOME THEIR BRIGHTEST.



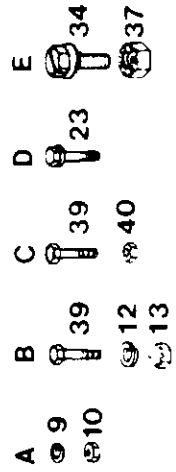
# REPAIR PARTS

## 16 H.P. 44" RIDING YARD TRACTOR - MODEL NUMBER 917.254323

### ELECTRICAL

KEY NO.	PART NO.	DESCRIPTION	KEY NO.	PART NO.	DESCRIPTION
1	109310X	Molded Key	25	STD522507	* Bolt - Hex 1/4 - 20 x 3/4
2	110859X	Harness, Light Socket	26	STD551025	* Washer 9/32 x 5/8 x 16 Ga.
3	4152J	Bulb - Light	27	STD551125	* Washer - Lock 1/4
4	STD365402	Switch - Ignition	28	STD541025	* Nut - Hex 1/4 - 20
5	109553X	Switch, Interlock - Attachment Clutch	29	123198X	* Nut - Wing
6	109788X	Ignition, Nut	31	102476X	Guard - Terminal
7	110712X	Switch - Light	32	72240460	Bolt - Rd. Hd. Sq. Nk. 1/4 - 20 x 7-1/2
8	109081X	Solenoid	33	121433X	Ammeter
9	10090400	Washer - Lock 1/4	34	74641008	Screw - Slotted Pan Head #10 - 32 x 1/2
10	STD541225	* Nut - Jam 1/4 - 20			
12	11050400	Washer - Lock - Ext. Tooth 1/4			
13	73510400	Nut, Keps 1/4 - 20	36	102501X	Wire Loop
14	719J	Cover - Terminal	37	73951000	Nut - Keps #10 - 32
15	121434X	Harness - Ignition	38	235R	Clip - Insulation
16	4799J	Cable - Battery	39	STD522505	* Bolt - Hex 1/4 - 20 x 1/2
17	4206J	Cable - Battery	40	73680400	Nut - Crownlock 1/4 - 20
18	4207J	Cable - Ground	41	100541K	Tube
19	109787X	Bezel - Ignition	42	109596X	Clamp - Hose
20	121537X	Battery	43	4171R	Clip - Insulated
21	121305X	Seat - Plunger	44	121264X	Caps, Battery
22	104445X	Switch - Interlock - Clutch	45	121651X	Decal, Sears
23	17021008	Screw - Hex Tap, 10 - 24 x 1/2	.....	101539X	Sheet - Instruction, Tractor 15° Slope
24	108824X	Fuse - 30 Amp	.....	121422X	Owner's Manual

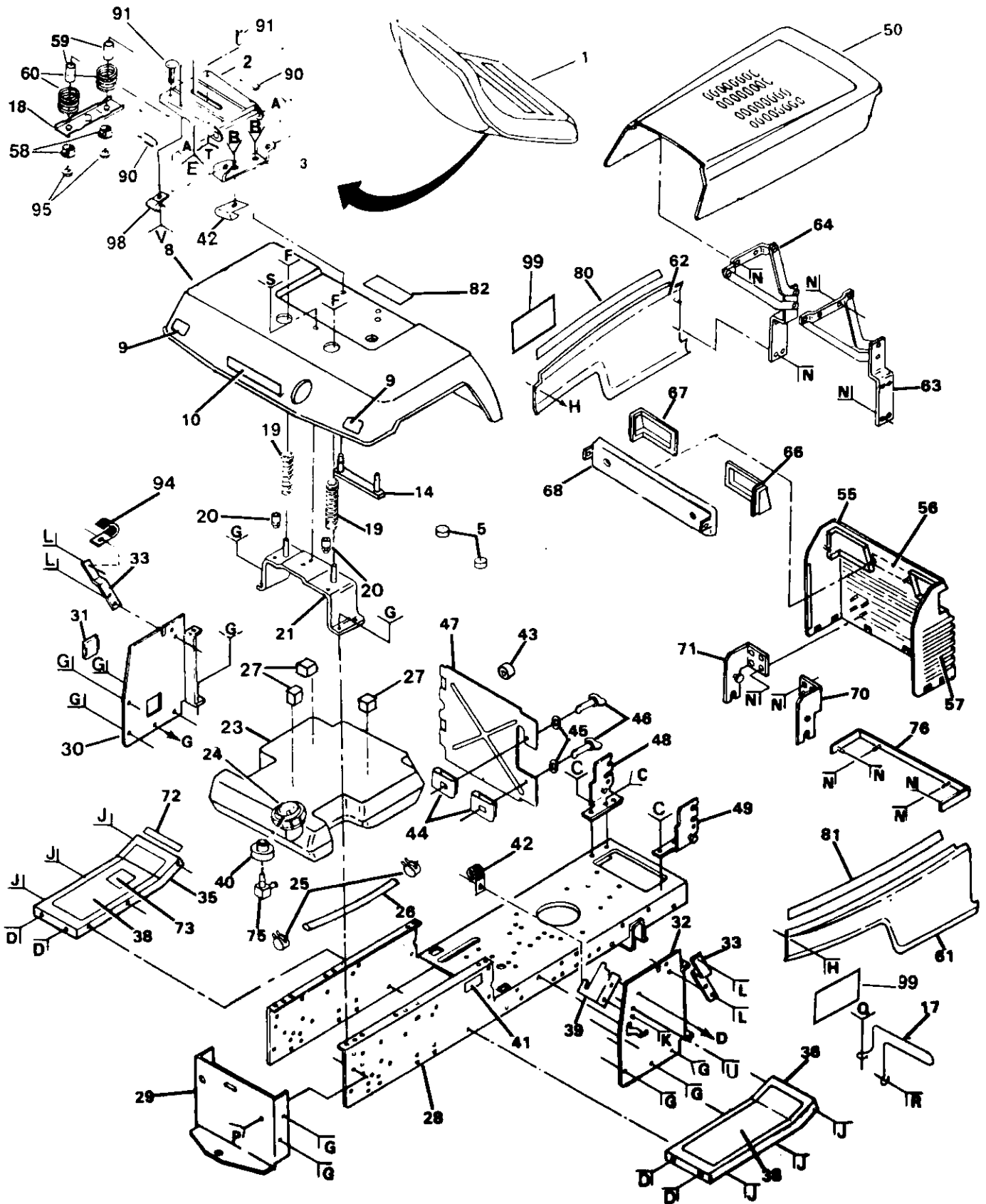
\*STANDARD HARDWARE - PURCHASE LOCALLY



# REPAIR PARTS

## 16 H.P. 44" RIDING YARD TRACTOR - MODEL NUMBER 917.254323

### CHASSIS AND ENCLOSURES



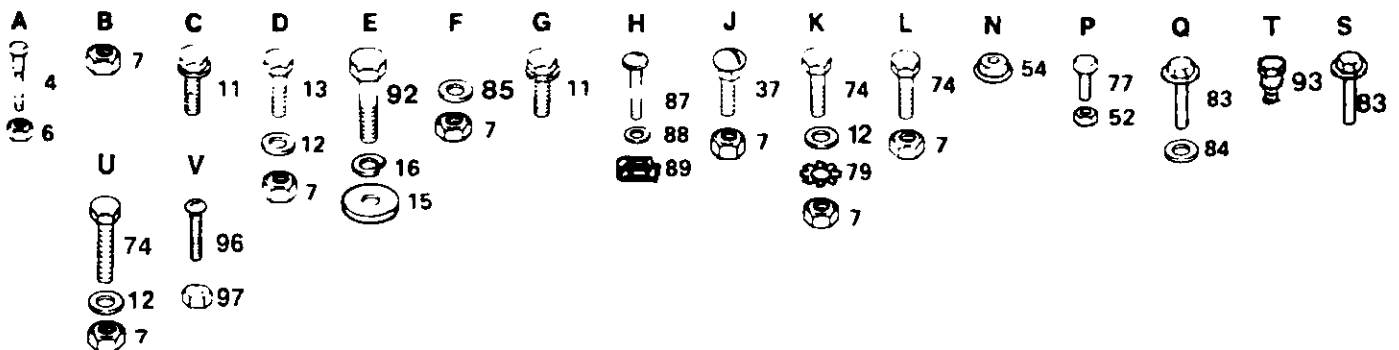
# REPAIR PARTS

## 16 H.P. 44" RIDING YARD TRACTOR - MODEL NUMBER 917.254323

### CHASSIS AND ENCLOSURES

KEY NO.	PART NO.	DESCRIPTION	KEY NO.	PART NO.	DESCRIPTION
1	120039X	Seat	50	106013X018	Hood
2	121247X	Pan - Seat	52	73680400	Nut - Crownlock 1-4-20
3	105513X	Bracket - Pivot - Seat	54	108067X	Pal - Nut
4	105529X	Bolt - Shoulder 5/16 - 18	55	105528X	Grill
5	121093X	Cap - Spring	56	105806X	Decal - Grill
6	73680500	Nut - Lock 5/16 - 18	57	105568X	Decal - Stripe
7	73680600	Nut - Lock 3/8 - 16	58	121248X	Bushing, Snap
8	121642X361	Fender	59	121249X	Spacer, Split
9	106202X	Reflector - Rear	60	121250X	Spring, Compression
10	105801X	Decal	61	108403X	Panel - Side - R.H.
11	17490612	Screw, Hex Washer Thd. Roll 3/8-16 x 3/4	62	108410X	Panel - Side - L.H.
12	19131312	Washer 13/32 x 13/16 x 12 Ga.	63	106091X	Hinge - R.H.
13	STD523707	*Bolt, Hex, 3/8-16 x 3/4	64	106090X	Hinge - L.H.
14	105511X	Strap - Fender	66	106003X	Lens - R.H.
15	19171912	Washer 17/32 x 13/16 x 12 Ga	67	106004X	Lens - L.H.
16	STD551150	*Washer - Lock 1/2	68	110897X	Bezel - Headlight
17	108885X	Guard - Muffler	70	108512X	Bracket - Pivot - R.H.
18	121246X	Bracket, Switch - Seat	71	108513X	Bracket - Pivot - L.H.
19	121067X	Compression - Spring R.H.	72	4900J	Decal - Clutch/Brake
20	105531X	Nut, Push	73	109199X	Decal - Drive Belt
21	105509X	Bracket - Fender	74	STD523710	*Bolt - Hex 3/8-16 x 1
23	106020X	Tank - Fuel	75	8710J	Stern - Tank, Fuel
24	121221X	Cap - Fuel	76	110350X	Strap Assembly - Grill
25	123487X	Clamp - Hose	77	STD522505	Bolt - Hex 1-4-20 x 1-2
26	5277J	Line - Fuel	78	235R	Clip - Insulated
27	106082X	Pad - Spacer	79	11050600	Washer - Lock, Ext. Tooth 3/8
28	121277X	Chassis Assembly	80	106813X	Decal - Stripe, Side Panel, L.H.
29	121306X	Drawbar	81	106814X	Decal - Stripe, Side Panel, R.H.
30	105523X	Panel - Dash - L.H.	82	106974X	Decal - Caution
31	121794X	Cover, Access	83	17490612	Bolt, Hex Washer Thread Rolling 3-8-16 x 3-4
32	110828X	Panel - Dash - R.H.	84	19131616	Washer 13/32 x 1 x 16 Ga.
33	105525X	Bracket - Support - Dash	85	19131614	Washer - 13-32 x 1 x 14 Ga
35	105465X	Footrest - L.H.	87	106909X	Screw - Special
36	105464X	Footrest - R.H.	88	106910X	Screw - Special
37	STD533707	*Bolt, Carr. 3/8-16 x 3/4	89	108402X	U-Clip
38	105466X	Pad, Footrest	90	121251X	Strip, Foam
39	110923X	Bracket - Clutch - Mower	91	72170410	Bolt, Carr. 1/4 - 20 x 1-1/4
40	3645J	Bushing	92	74780816	Bolt 1-2-13 x 1
41	105566X	Decal - 5 Speed - 44"	93	121144X	Shoulder Bolt
42	2751R	Clip - Insulated	94	5320R	Clip - Insulated
43	110436X	Grommet	95	73900400	Nut, Hex 1/4 - 20
44	105839X	Receptacle	96	74641008	Screw - Sld. Pan Head #10 - 24 x 1-4
45	105838X	Retainer	97	73951000	Nut, Keps #10 - 24
46	105751X	Stud - 1/4 Turn	98	4171R	Clip, Insulated
47	105867X	Shield - Heat	99	105561X	Decal-side Panel
48	109015X	Bracket - Pivot - L.H.			
49	109016X	Bracket - Pivot - R.H.			

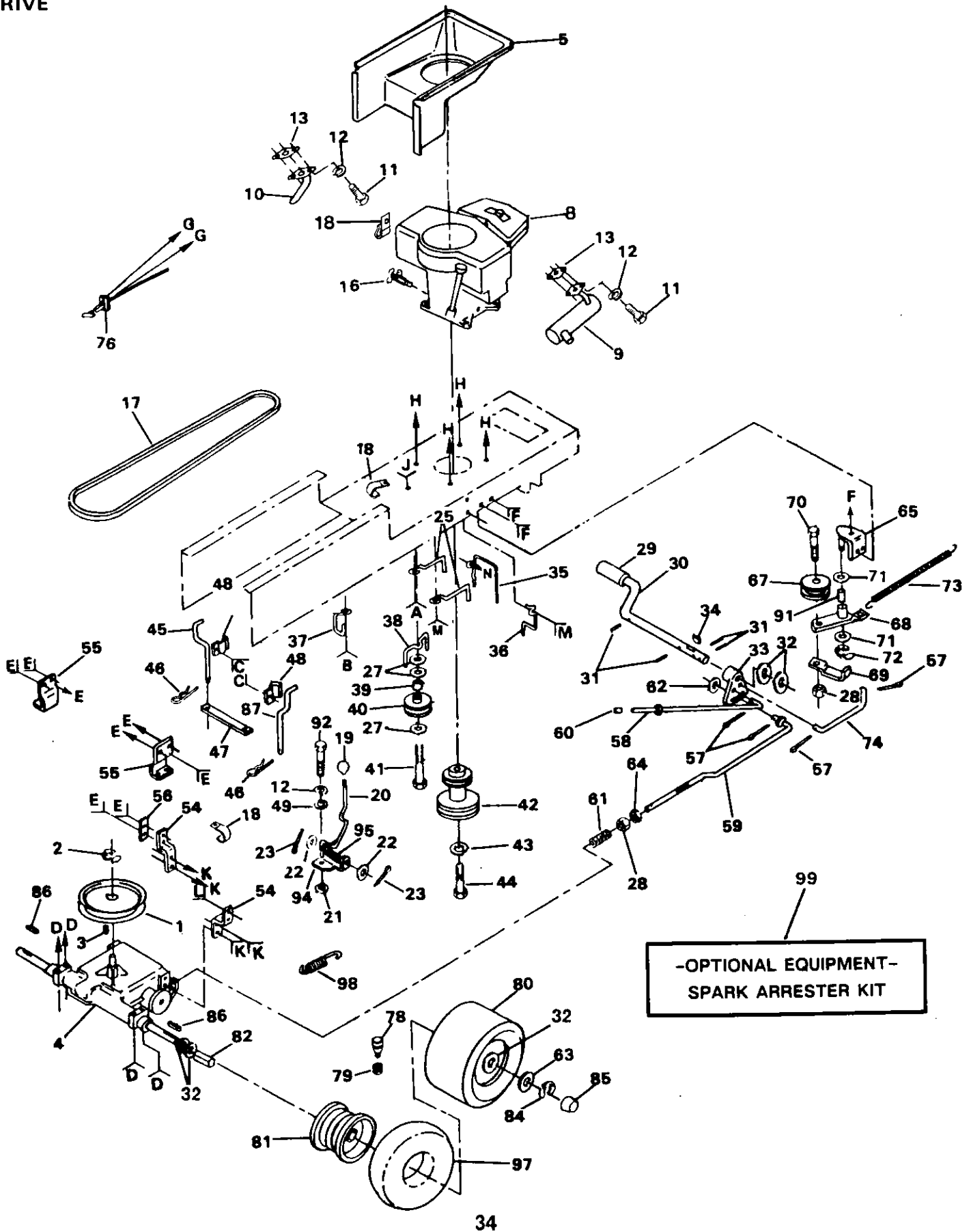
\*STANDARD HARDWARE--PURCHASE LOCALLY



# REPAIR PARTS

16 H.P. 44" RIDING YARD TRACTOR - MODEL NUMBER 917.254323

## DRIVE





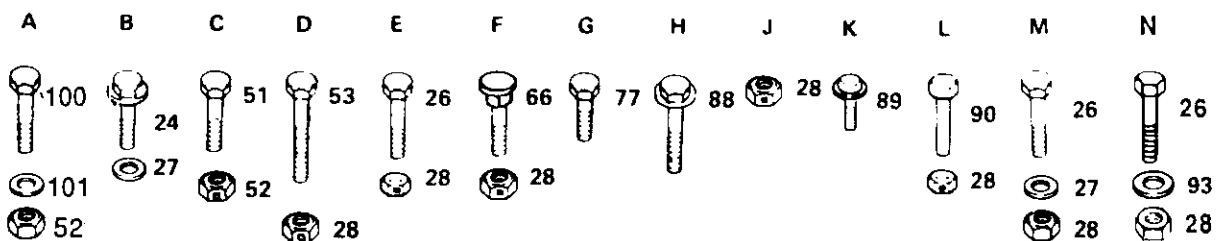
# REPAIR PARTS

## 16 H.P. 44" RIDING YARD TRACTOR - MODEL NUMBER 917.254323

### DRIVE

KEY NO.	PART NO.	DESCRIPTION	KEY NO.	PART NO.	DESCRIPTION
1	106192X	Pulley, Transaxle (Driven)	51	STD523107	*Bolt, Hex 5/16-18 x 3/4
2	1200028	Ring, Retainer	52	73680500	Nut, Lock, 5/16-18
3	STD580025	*Key, Woodruff No. 9	53	STD523727	*Bolt, Hex, 3/8-16 x 2-3/4
4	121319X	Transaxle, 5 Speed, Foote Model No. 4150-61 (see pages 42 and 43 for parts breakdown)	54	105842X	Strap, Torque
5	105953X	Duct, Air Intake	55	109167X	Bracket, Transaxle
8	110560X	Engine, Briggs & Stratton Model No. 402707 Type No. 1501-01	56	106157X	Plate, Strap, Torque
9	108373X	Muffler	57	76020412	Pin, Cotter, 1 8 x 3 4
10	100229L	Tube Ass'y - Exhaust	58	105844X	Rod, Brake, Park
11	STD522507	*Bolt, Hex, 1/4-20 x 3/4	59	110437X	Rod, Brake
12	STD551125	*Washer, Lock, 1/4	60	71673	Cap
13	8545J	Gasket	61	106888X	Spring, Rod, Brake
16	110902X	Valve, Drain, Oil	62	STD551037	*Washer 13-32 x 13 16 x 16 Ga.
17	120301X	V-Belt, Drive	63	121748X	Washer 25 32 x 1-5 8 x 16 Ga.
18	2751R	Clip	64	STD541237	*Nut, Hex, Jam 3 8-16
19	106933X	Knob	65	105724X	Bracket, Clutch
20	105699X	Rod, Shifter	66	STD533707	*Bolt, Carr., 3 8-16 x 3 4
21	105701X	Washer - Shaft Plate	67	106298X	Pulley, Idler
22	19151216	Washer, 15/32 x 3/4 x 16 Ga.	68	105707X	Bellcrank Assembly (Incl. Key No. 91)
23	STD561210	*Pin, Cotter, 1/8 x 1	69	106499X	Retainer, Belt
24	17490612	Screw - Hex Washer Hd. Thd. Rolling 3/8-16 x 3/4	70	STD523715	*Bolt, Hex, 3 8-16 x 1-1 2
25	105730X	Keeper, Belt, Engine	71	110812X	Washer, Hardened
26	STD523710	*Bolt, Hex, 3/8-16 x 1	72	12000039	Klip Ring
27	19131312	Washer, 13/32 x 13/16 x 12 Ga.	73	105709X	Spring, Return, Clutch
28	73680600	Nut, Lock, 3/8-16	74	105710X	Link, Clutch
29	8883R	Cover, Pedal	76	121468X	Control, Throttle
30	109037X	Shaft, Foot Pedal	77	17720408	Screw, Hex Thd. Cut, 1 4-20 x 1 2
31	STD571810	*Pin, Roll, 3/16 x 1	78	59192	Cap, Valve
32	121749X	Washer, 25/32 x 1-1/4 x 16 Ga.	79	65139	Stem, Valve
33	106918X	Arm, Brake	80	106270X	Tire, Rear 20-10.00 x 10
34	STD580025	*Key, Woodruff No. 9	81	106272X	Rim 10"
35	121441X	Guide, Belt, Lower, Eng. Pulley L.H.	82	109502X	Spacer, Split
36	121440X	Guide, Belt, Lower, Eng. Pulley R.H.	84	12000001	E-Ring
37	104777X	Guide, Belt	85	104757X	Cap, Hub, Rear
38	109070X	Keeper, Belt	86	STD580105	*Key, Square, 3 16 x 2
39	4470J	Spacer	87	108332X	Keeper, Belt, R.H.
40	4859J	Idler, Flat	88	17490624	Bolt, Hex Washer Thd. Rolling 3/8-16 x 1-1 2
41	STD523727	*Bolt, Hex 3/8-16 x 2-3/4	89	17490512	Screw, Hex Washer Thd. Rolling 5/16-18 x 3/4
42	105731X	Pulley, Engine	90	STD523707	*Bolt, Hex 3 8-16 x 3 4
43	10040700	Washer, Lock, 7/16	91	105706X	Bearing
44	74770720	Bolt, Hex, 7/16-20 x 1-1/4	92	71040412	Bolt, Hex 1 4-28 x 3 4
45	108331X	Keeper, Belt, L.H.	93	19132012	Washer 13-32 x 1-1/4 x 12 Ga.
46	4921H	Retainer, Spring	94	106919X	Plate, Rod, Shift
47	106296X	Strap, Locator	95	105700X	Spring, Torsion
48	106190X	Clamp	97	7152J	Tube (Not furnished with tractor)
49	19091210	Washer 9/32 x 3/4 x 10 Ga.	98	110422X	Spring, Brake Return
			99	6744380	Spark Arrestor Kit
			100	74760516	*Bolt, Hex, 5/16-18X1
			101	19111212	Washer, 11/32X3/4X12Ga.

\*STANDARD HARDWARE--PURCHASE LOCALLY





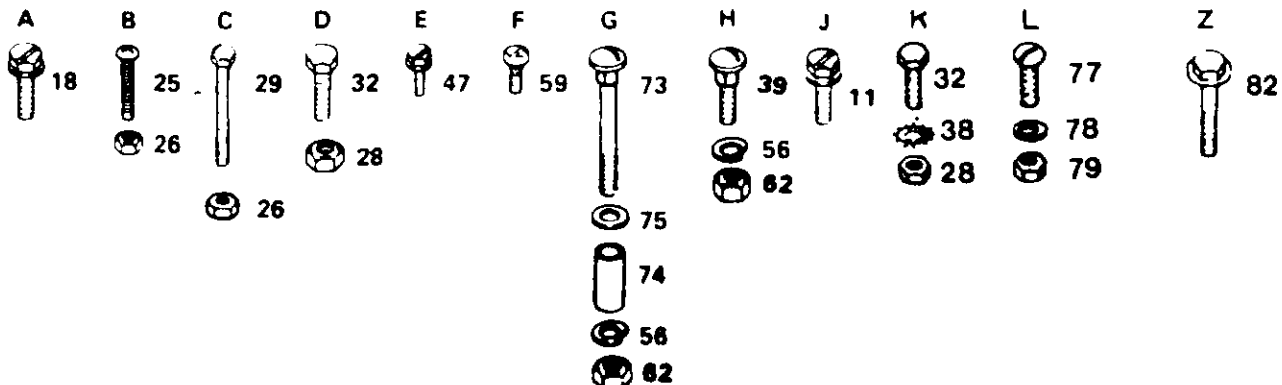
# REPAIR PARTS

## 16 H.P. 44" RIDING YARD TRACTOR - MODEL NUMBER 917.254323

### STEERING ASSEMBLY

KEY NO.	PART NO.	DESCRIPTION	KEY NO.	PART NO.	DESCRIPTION
1	105810X	Decal - Cap, Steering Wheel	42	74761060	Bolt, Hex 5/8-11 x 3-3/4
2	100710L	Insert, Steering Wheel	43	105664X	Support, Saddle, Front
3	73940800	*Nut, Top Lock 1/2 - 20UNF	45	110438X	Spacer Bearing, Front Axle
4	100712K	Washer	46	73901000	Nut, Lock, Flange 5/8-11
5	100713N	Wheel, Steering	47	17490508	Screw, Hex Washer Thd. Rolling 5/16-18 x 1/2
6	100711L	*Adapter - Steering Wheel	48	105656X	Spindle, L.H.
7	106015X	Sleeve, Steering	49	105654X	Spindle, R.H.
8	120028X	Dash	50	121749X	Washer 25/32 x 1-1/4 x 16 Ga.
9	120002X011	Dash Plate	51	121321X	Rod, Tie
10	109816X	Nyliner, Snap-In	52	STD551131	*Washer, Lock 5/16
11	17490608	Screw, Hex Washer Thd. Rolling 3/8-16 x 1/2	53	STD541131	*Nut, Hex 5/16-24
12	121748X	Washer 25/32 x 1-5/8 x 16 Ga.	54	3366R	Bearing
13	108705X	Shaft, Steering	55	105727X	Link, Drag
14	2882J	Pin, Drive	56	STD551137	*Washer, Lock 3/8
15	71208	Bushing	57	STD541137	*Nut, Hex 3/8-24
16	109432X	Bracket, Steering	58	1554J	Bushing, Steering
17	108685X	Gear, Pinion	59	17431008	Screw, Hex No. 10-16 x 1 2
18	17490612	Screw, Hex Washer Thd. Rolling 3/8-16 x 3/4	60	104757X	Cap, Hub, Front
19	108683X	Rod, Steering	61	2751R	Clip, Fuel Line
20	12000029	Klip Ring	62	STD541037	*Nut, Hex 3/8-16
21	6266H	Bearing, Thrust	63	121232X	Spindle, Cap
22	108684X	Gear, Sector	64	59192	Cap, Valve
23	106126X	Key, Woodruff	65	65139	Stem, Valve
24	105518X	Dash, Lower	66	278H	Fitting, Grease
25	74180512	Screw, Crown Truss Hd. 5/16-18 x 3/4	67	9040H	Bearing
26	73680500	Nut, Lock 5/16-18	68	106732X	Rim, 6" Front
27	108263X012	Saddle	69	106222X	Tire, Front
28	73680600	Nut, Lock 3/8-16	70	101930X	Washer, Hardened
29	STD523120	*Bolt, Hex 5/16-18 x 2	71	108456X	Decal, Instructions, Operating
30	121236X	Spacer	72	59904	Tube, Tire, Front
31	106001X	Support Plate, Battery	73	72110622	Bolt, Carriage Hex 3/8-16 x 2-3/4
32	STD523707	*Bolt, Hex 3/8-16 x 3/4	74	121235X	Spacer
36	121525X	Control, Choke	75	19131416	Washer 13.32 x 7-8 x 16 Ga.
37	STD551037	*Washer 13/32 x 13/16 x 16 Ga.	76	74580	Spacer
38	11050600	Washer, Lock, Int./Ext. Tooth 3/8	77	STD512507	*Screw, Pan Head 1/4-20 x 3/4
39	72110608	Bolt, Carriage	78	19091216	Washer 13/32 x 3/4 x 16 Ga.
40	105669X	Axle, Front	79	73510400	Nut, Keps 1/4 NC
41	105663X	Support, Saddle, Rear	80	19272016	Washer 27/32 x 1-1/4 x 16 Ga
			81	19251816	Washer
			82	17490624	Bolt, Hex Washer Thd. Roll. 3/8 - 16 x 1-1/2
			83	5320R	Clip, Insulated
			84	19111216	Washer 11/32 x 3/4 x 16 Ga.

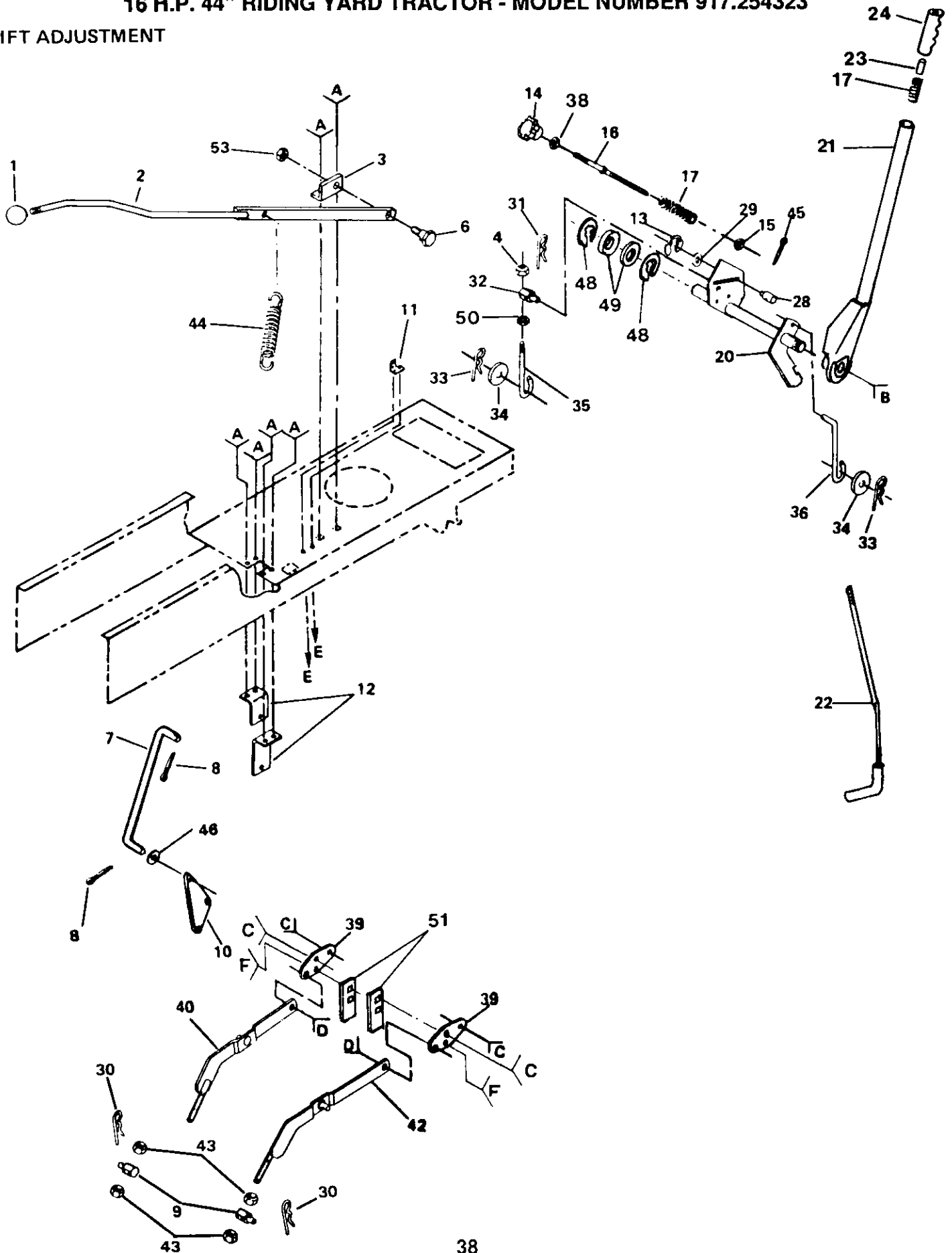
\*STANDARD HARDWARE--PURCHASE LOCALLY



# REPAIR PARTS

16 H.P. 44" RIDING YARD TRACTOR - MODEL NUMBER 917.254323

## LIFT ADJUSTMENT

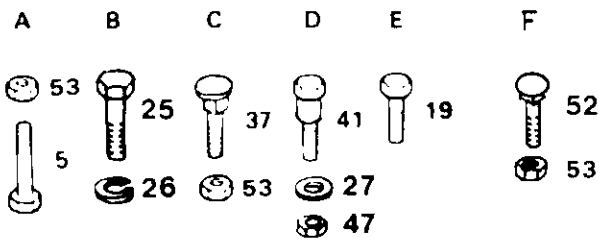


# REPAIR PARTS

## 16 H.P. 44" RIDING YARD TRACTOR - MODEL NUMBER 917.254323

### LIFT ADJUSTMENT

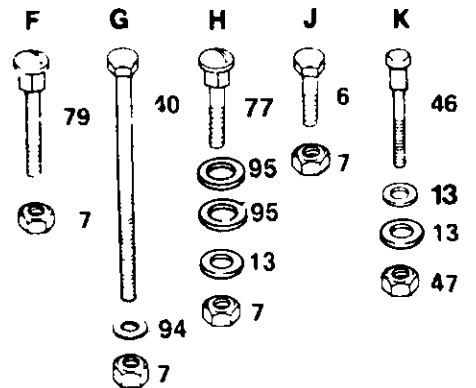
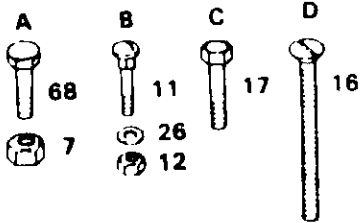
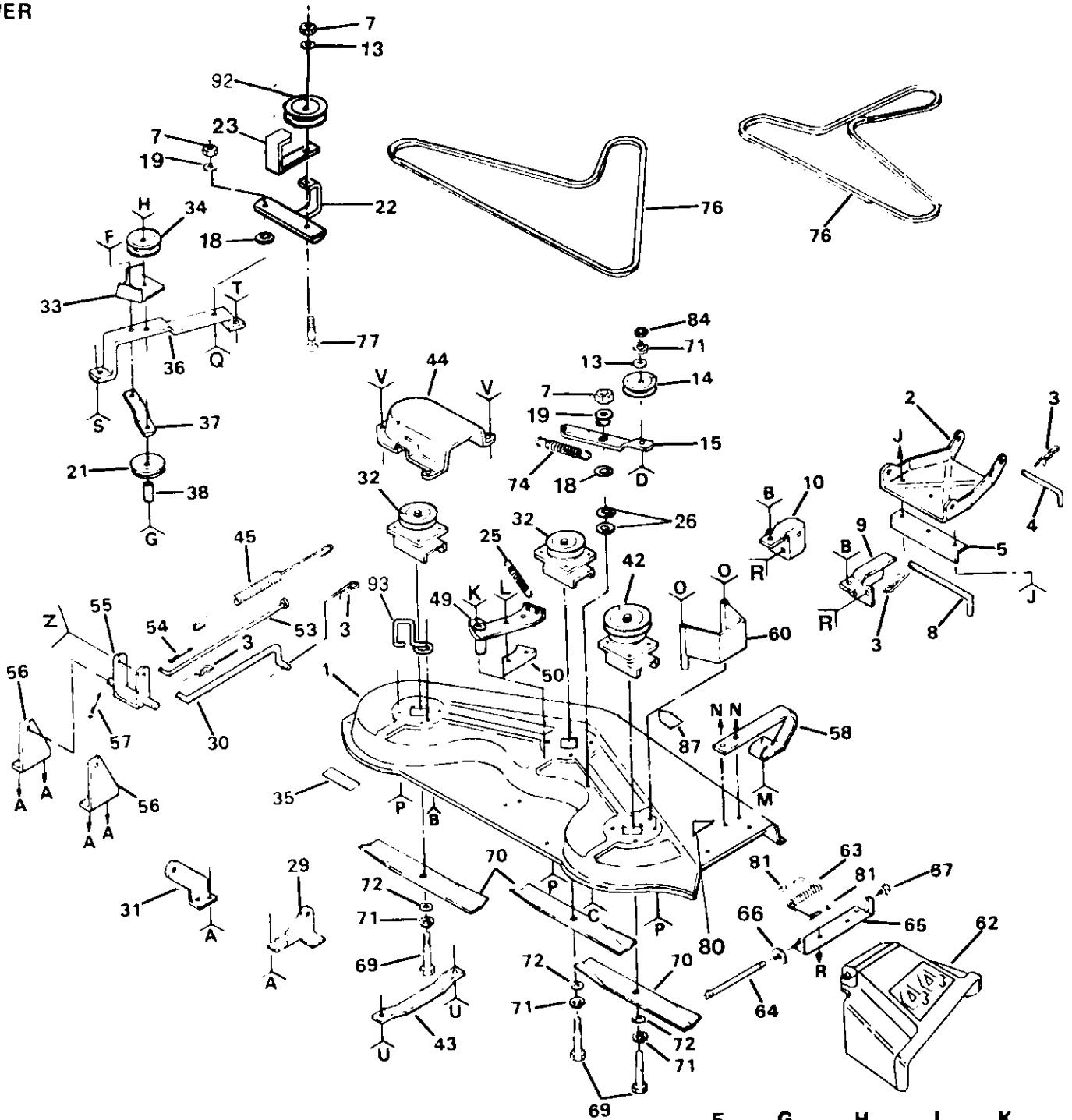
KEY NO.	PART NO.	DESCRIPTION	KEY NO.	PART NO.	DESCRIPTION
1	106933X	Knob	28	110810X	Trunnion, Stop Depth
2	110924X	Lever, Mower Clutch	29	19151216	Washer 15/32 x 3/4 x 16 Ga.
3	106498X	Bracket, Pivot	30	9135R	Retainer Clip
4	73710700	Nut, Jam 7/16-20 UNF	31	4939M	Retainer Spring
5	STD523707	*Bolt, Hex 3/8-16 x 3/4	32	110447X	Trunnion, Lift
6	106451X	Bolt, Shoulder	33	4921H	Retainer Spring
7	108387X	Rod, Clutch, Primary	34	19171516	Washer 17/32 x 5/16 x 16 Ga.
8	76020412	Pin, Cotter 1/8 x 3/4	35	110448X	Link, Lift Adjust
9	106308X	Trunnion, Lift Lower	36	110029X	Link, Lift
10	109728X	Bellcrank	37	STD533707	*Bolt, Carriage 3/8-16 x 3/4
11	108236X	Bracket, Switch	38	STD541237	*Nut - Jam 3/8 - 16
12	106444X	Bracket, Bellcrank	39	105864X	Bracket, Suspension
13	12000037	Klip Ring	40	121599X	Arm, Suspension, L.H.
14	100734K	Knob, Depth Adjustment	41	105848X	Bolt, Shoulder 3/8-16
15	110807X	Nut, Special	42	121598X	Arm, Suspension, R.H.
16	110729X	Rod, Adjust, Lift	43	STD541050	*Nut, Hex Fin. 1 2-13
17	2876H	Spring	44	58606	Spring
18	19131016	Washer 13/32 x 3/8 x 16 Ga.	45	76020308	Pin, Cotter 3/32 x 1 2
19	17021008	Screw, Hex Hd. Tap. No. 10-24 x 1/2	46	19131410	Washer 13/32 x 7/8 x 10 Ga.
20	121000X	Shaft, Lift	47	73980600	Nut, Lock 3/8-16
21	121002X	Lever, Lift (Incl. Key No. 22)	48	12000022	E-Ring
22	121006X	Rod, Lever	49	19292016	Washer 29/32 x 1 1/4 x 16 Ga
23	105723X	Plunger, Lever	50	73360700	Nut 7/16-20 UNF
24	109413X	Grip, Handle	51	121252X	Upstop, Mower
25	STD523715	*Bolt, 3/8-16 x 1-1/2	52	72140608	Bolt, Carriage 3/8-16 x 1
26	STD551137	*Washer, Lock 3/8	53	73680600	Nut, Lock 3/8 - 16
27	110739X	Washer, Spring 3/8			*STANDARD HARDWARE--PURCHASE LOCALLY



# REPAIR PARTS

## 16 H.P. 44" RIDING YARD TRACTOR - MODEL NUMBER 917.254323

### MOWER



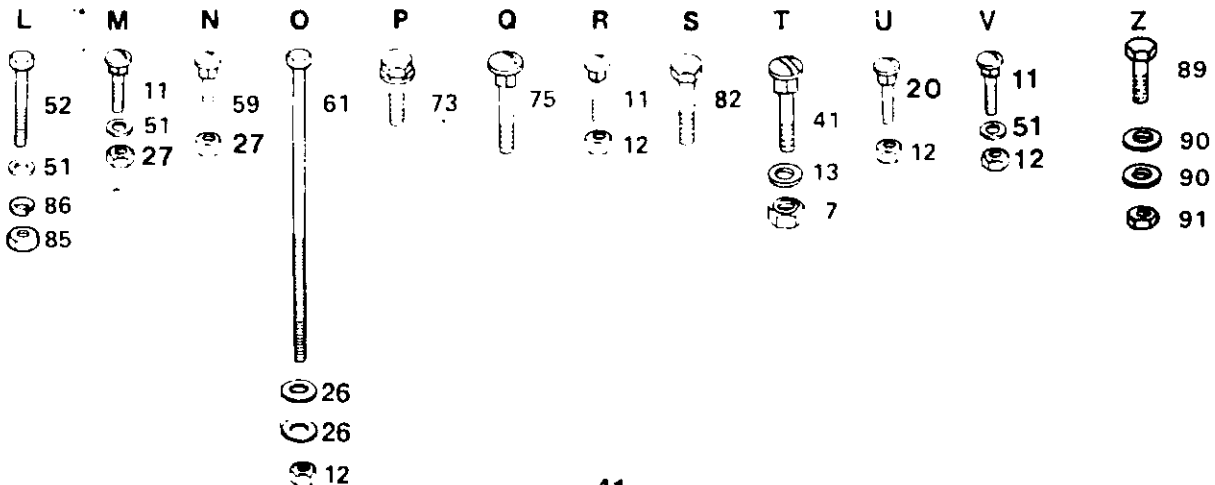
# REPAIR PARTS

## 16 H.P. 44" RIDING YARD TRACTOR - MODEL NUMBER 917.254323

### MOWER

KEY NO.	PART NO.	DESCRIPTION	KEY NO.	PART NO.	DESCRIPTION
1	121423X	Housing, Mower	50	102951X	Brake - Block
2	105662X	Link - Parallel	51	STD551031	*Washer 11/32 x 11/16 x 16 Ga.
3	4921H	Retainer - Spring	52	STD523112	*Bolt - Hex 5/16 - 18 x 1-1/4
4	105744X	Pin, Front Hinge	53	108394X	Rod - Brake
5	105872X	Stop - Link - Parallel	54	STD560907	*Pin - Cotter 3/32 x 3/4
6	STD523708	*Bolt - Hex 3/8 - 16 x 3/4	55	110384X	Shaft - Rock
7	73680600	Nut - Lock 3/8 - 16	56	108393X	Support - Shaft - Rock
8	109835X	Pin, Rear Hinge	57	76020616	Pin - Cotter 3/16 x 1
9	106512X	Bracket - Lift - R.H.	58	8418J	Runner - R.H.
10	106511X	Bracket - Lift - L.H.	59	72140505	Bolt - Carriage 5/16 - 18 x 5/8
11	STD533107	*Bolt - Carriage 5/16 - 18 x 3/4	60	102924X	Guard - Belt - R.H.
12	73680500	Nut - Lock 5/16 - 18	61	74760580	Bolt - Hex 5/16 - 18 x 5
13	19131614	Washer 13/32 x 1 x 14 Ga.	62	109785X	Shield - Deflector
14	102932X	Idler - Flat	63	106734X	Spring
15	106526X	Arm - Idler - Deck	64	106735X	Rod - Hinge
16	74110632	Screw - Flat Hd. 3/8 - 16 x 2	65	109743X	Bracket - Deflector
17	STD523712	*Bolt - Hex 3/8 - 16 x 1-1/4	66	19111016	Washer 11 32 x 5/8 x 16 Ga.
18	106513X	Washer - Wear	67	110452X	Nut - Push
19	106902X	Spacer	68	STD533707	*Bolt - Carriage 3/8 - 16 x 3 4
20	72110505	Bolt - Carriage 5/16-18 x 5/8	69	STD623715	*Bolt - Hex 3/8-24 x 1 - 1 2 Gr. 5
21	102403X	Pulley - Idler	70	106635X	Blade
22	121424X	Arm - Idler	71	STD551137	*Washer - Lock 3/8
23	121426X	Guide - Belt	72	19132012	Washer 13/32 x 1-1 4 x 12 Ga.
25	106530X	Spring	73	17490612	Screw - Hex Washer Thd. Rolling 3/8 - 16 x 3/4
26	19111216	Washer 11/32 x 3/4 x 16 Ga.	74	7644J	Spring - Extension
27	1685H	Nut - Lock 5/16 - 18	75	72140612	Bolt - Carriage 3/8 - 18 x 1-1:2
29	109278X	Bracket - Suspension - Rear - R.H.	76	106085X	V-Belt
30	108235X	Rod - Clutch	77	72140616	Bolt - Carriage 3/8 - 16 x 2
31	108359X	Bracket - Suspension - Rear - L.H.	79	72140614	Bolt - Carriage 3/8 - 16 x 1-3/4
32	121622X	Mandrel - Secondary	80	---	Decal - Safety, Standard - Non Service
33	106529X	Guide - Belt	81	105304X	Cap - Sleeve
34	677A451	Pulley - Idler	82	STD523710	*Bolt - Hex 3/8 - 16 x 1
35	106223X	Decal	84	STD541437	*Nut, Hex 3/8 - 16
36	106523X	Bar - Support - Idler	85	STD541031	*Nut, Hex 5/16 - 18
37	106522X	Brace - Idler - Deck	86	STD551131	*Lock washer 5/16
38	121236X	Spacer	87	121343X	Decal - Danger, Warning
40	STD523730	*Bolt - Hex 3/8 - 16 x 3	88	19131614	Washer 13/32 x 1 x 14 Ga.
41	STD533710	*Bolt - Carriage 3/8 - 16 x 1	89	74760412	Bolt, Hex 1 4 - 20 x 3 4
42	121704X	Mandrel - Primary	90	19091616	Washer 9 32 x 1 x 16 Ga
43	7631J	Runner - L.H.	91	73680400	Nut, Lock 1 4 - 20
44	106214X	Guard	92	121316X	Pully, Idler
45	121427X	Spring - Extension	93	121352X	Keeper, Belt
46	121827X	Bolt - Shoulder	94	19131316	Washer 13/32 x 13/16 x 16 Ga.
47	73930600	Nut - Centerlock 3/8 - 16	95	19131410	Washer 13/32 x 7/8 x 10 Ga.
48	19131207	Washer 17/32 x 1-3/16 x 12 Ga.	96	121825X	44" Replacement Mower Deck
49	106606X	Arm - Brake			

\*STANDARD HARDWARE--PURCHASE LOCALLY

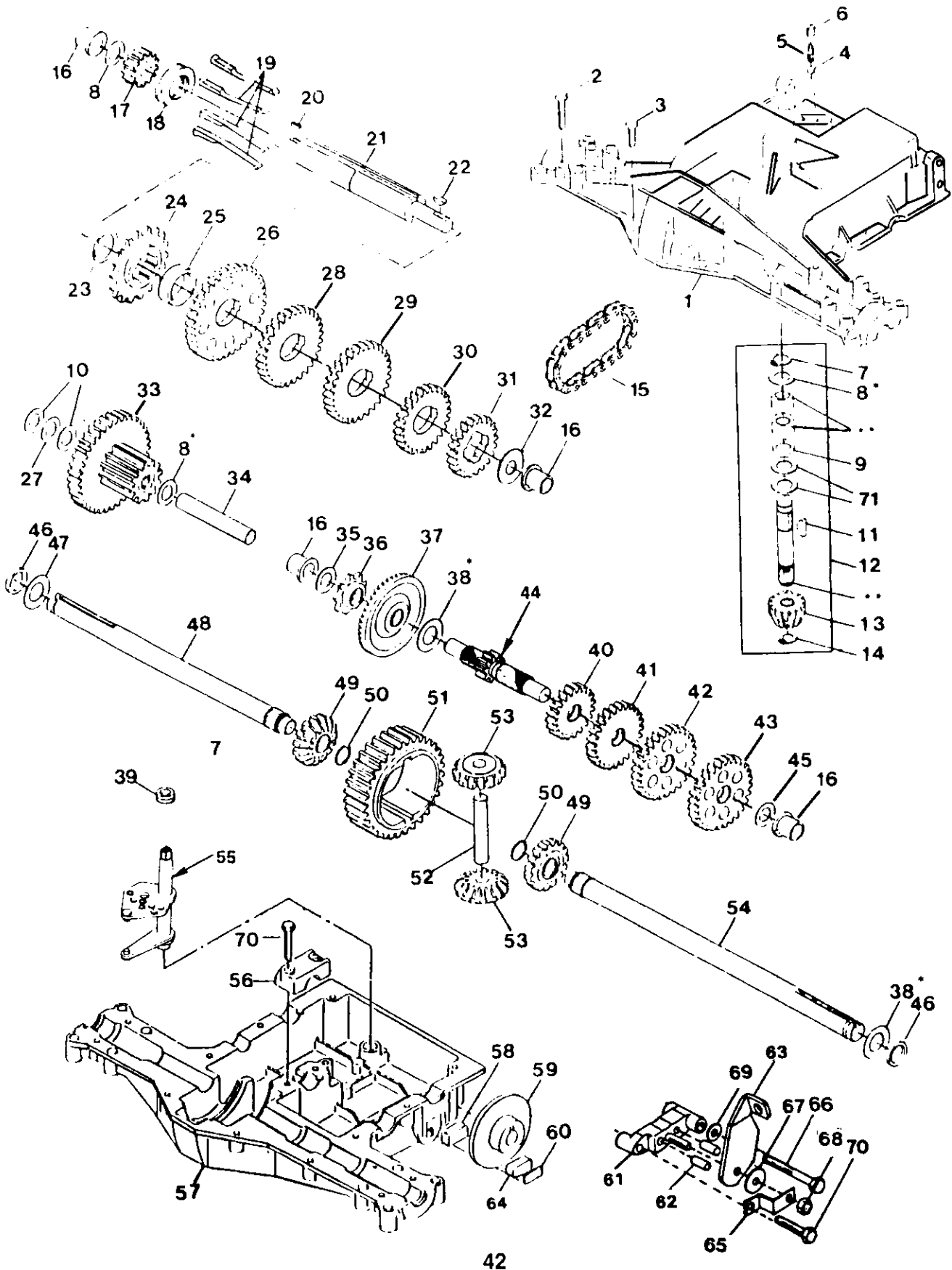


# REPAIR PARTS

16 H.P. 44" RIDING YARD TRACTOR - MODEL NUMBER 917.254323

TRANSAXLE FOOTE - MODEL NUMBER 4150-61

## TRANSAXLE





# REPAIR PARTS

## 16 H.P. 44" RIDING YARD TRACTOR - MODEL NUMBER 917.254323

### TRANSAXLE FOOTE - MODEL NUMBER 4150-61

KEY PART NO.	PART NO.	DESCRIPTION	KEY PART NO.	PART NO.	DESCRIPTION
1	106845X	Housing, upper	38	108983X	Washer, Plain, .758 x 1.12 x .010
2	2276J	Screw, Tapping, 1/4-20 x 1.31 Lg.		105930X	Washer, Plain, 758 x 1.12 x .015
3	121118X	Screw, Tapping, 1/4-20 x .875 Lg.		105931X	Washer, Plain, 758 x 1.12 x .020
4	68003	Ball, Detent		105932X	Washer, Plain, 758 x 1.12 x .025
5	105904X	Spring, Detent		3417J	Washer, Plain, 758 x 1.25 x .020
6	105905X	Screw, Set		106097X	Washer, Plain, 758 x 1.25 x .025
7	2267J	Ring, Retainer		2264J	Washer, Plain, 758 x 1.25 x .031
8	2233J	Washer, Plain, .632 x 1.00 x .020		106098X	Washer, Plain, 758 x 1.25 x .035
	2232J	Washer, Plain, .632 x 1.00 x .026		2265J	Washer, Plain, 758 x 1.25 x .040
	2231J	Washer, Plain, .632 x 1.00 x .031		106586X	Washer, Plain, .758 x 1.25 x .045
	2230J	Washer, Plain, .632 x 1.00 x .036		106587X	Washer, Plain, .758 x 1.25 x .050
	2229J	Washer, Plain, .632 x 1.00 x .041		106588X	Washer, Plain, .758 x 1.25 x .055
	2228J	Washer, Plain, .632 x 1.00 x .046		2263J	Washer, Plain, .758 x 1.25 x .062
	2227J	Washer, Plain, .632 x 1.00 x .050	39	108727X	V-Ring
	2226J	Washer, Plain, 632 x 1.00 x .060	40	106151X	Gear, Spur, 15T
	105906X	Washer, Plain, .632 x 1.00 x .082	41	106589X	Gear, Spur, 25T
9	6725J	O-Ring	42	120408X	Gear, Spur, 28T
10	2228J	Washer, Plain, .632 x 1.00 x .046	43	105937X	Gear, Spur, 31T
11	2257J	Key, Woodruff, No. 9	44	106152	Shaft, Drive
12	106846X	Assembly, Kit, Input Shaft (Inc's. Key No's. 7,8,9,11,12,13,14,71, and 2 Needle Bearings)	45	2226J	Washer, Plain, .640 x 1.00 x .060
			46	2272J	Seal, Felt
13	106095X	Pinion Bevel 14T	47	2264J	Washer, Plain, .758 x 1.25 x .031
14	105909X	Ring, Retaining	48	110080X	Axle, L. H.
15	105910X	Chain, 24 Pitches	49	120409X	Gear, Miter, 15T
16	105911X	Bearing, Flange	50	105941X	Ring, Retaining
17	105912X	Gear, Spur, 14T	51	110071X	Gear, Spur, 32T
18	105913X	Collar Clutch	52	120952X	Shaft, Cross
19	105914X	Key, Clutch	53	106592X	Gear, Miter, 15T
20	2242J	Key, Woodruff, No. 3	54	110083X	Axle, R. H.
21	106096X	Shaft, Intermediate	55	109002X	Assembly, Shifter
22	2244J	Key, Woodruff, No. 61	56	108987X	Cap, Support
23	105916X	Ring, Retaining	57	109975X	Housing, lower
24	105917X	Sprocket, 18T	58	120997X	Puck, Friction
25	110070X	Spacer	59	7294J	Disc, Brake
26	109253X	Gear, Spur, 40T	60	108989X	Spacer
27	108978X	Spacer	61	120953X	Jaw, Brake
28	109254X	Gear, Spur, 35T	62	120954X	Pin, Dowel
29	108980X	Gear, Spur, 25T	63	108992X	Lever, Actuating
30	120406X	Gear, Spur, 22T	64	120951X	Puck, Friction
31	108455X	Gear, Spur, 19T	65	120956X	Bracket, Anti-Rotation
32	105925X	Washer, Plain, .640 x 1.37 x .061	66	120955X	Screw, Tapping, 5 16-18 x 2.50 long
33	108981X	Assembly, Gear, Combo., 12T & 35T	67	108996X	Washer, Plain .321 x 1.00 x .055
			68	73810500	Nut, Lock, 5 16-24 (Nylon insert)
34	120998X	Shaft, Idler	69	120993X	Washer, Plain .34 x .81 x .06
35	3413J	Washer, Plain, .63 x 1.00 x .01	70	106596X	Screw, Tapping, 5 16 - 18 x 1.44 Long
36	105928X	Sprocket, 9T	71	120415	Washer, Plain, .63 x 1.38 x .05
37	106605X	Gear, Bevel, 42T	72	120416X	Grease

\*USE IN VARIOUS COMBINATIONS TO MAINTAIN PROPER CLEARANCE.

+ NOT SOLD SEPARATELY--ORDER KEY NO. 12

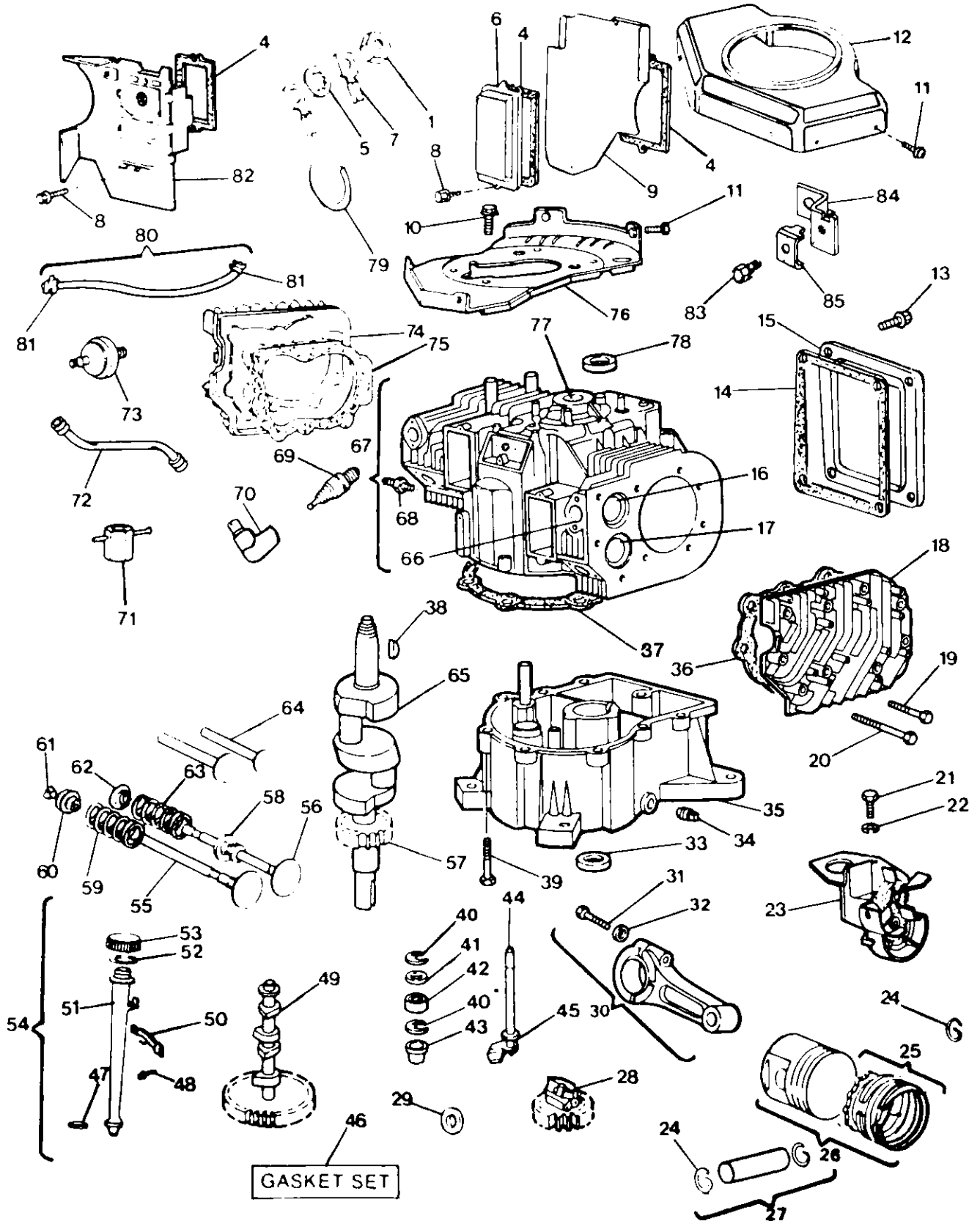
# REPAIR PARTS

16 H.P. 44" RIDING YARD TRACTOR - MODEL NUMBER 917.254323

ENGINE BRIGGS AND STRATTON - MODEL NUMBER 402707

TYPE NUMBER 1501-01

CYLINDER, CRANKSHAFT AND ENGINE BASE GROUP



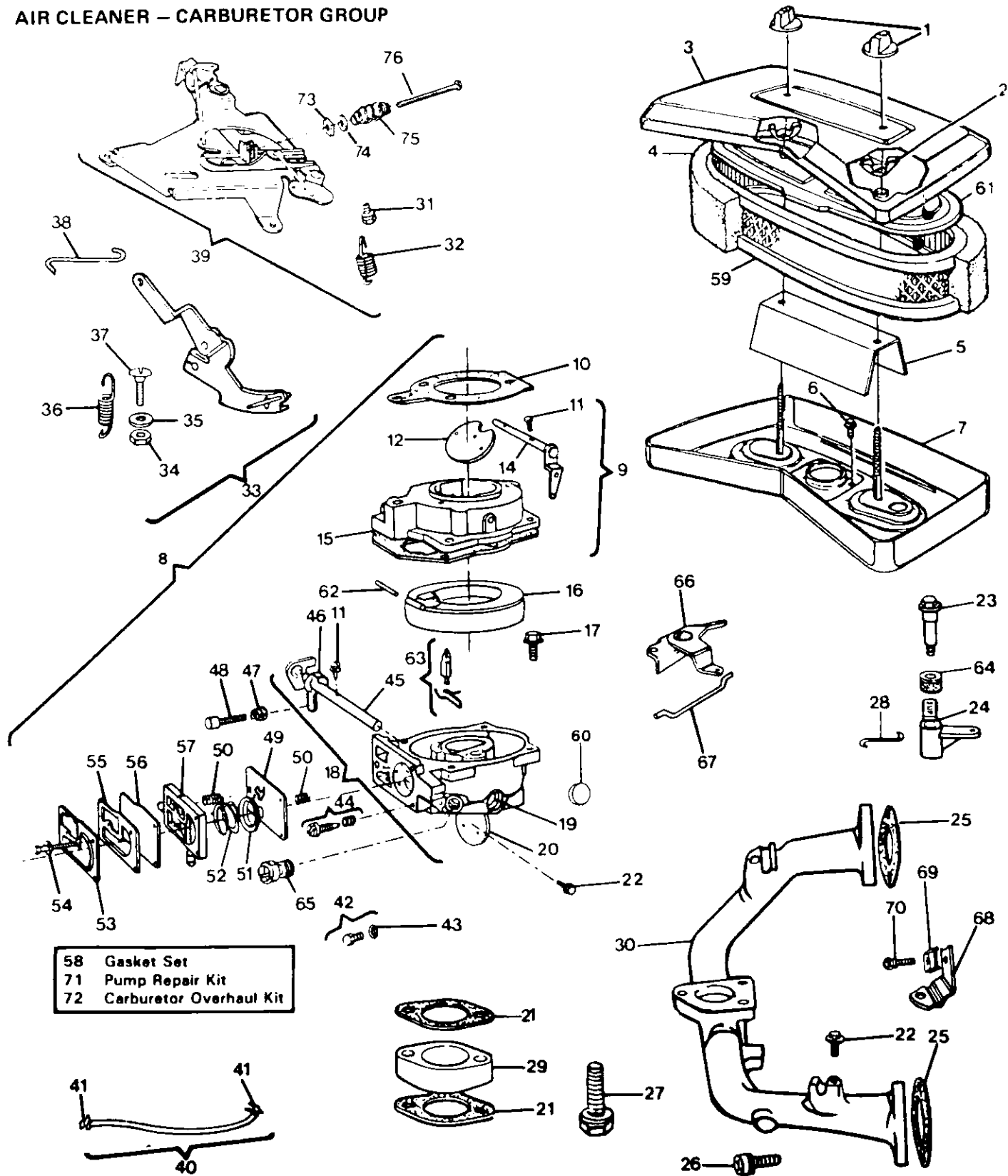
# REPAIR PARTS

## 16 H.P. 44" RIDING YARD TRACTOR - MODEL NUMBER 917.254323 ENGINE BRIGGS AND STRATTON - MODEL NUMBER 402707 TYPE NUMBER 1501-01 CYLINDER, CRANKSHAFT AND ENGINE BASE GROUP

KEY NO.	PART NO.	DESCRIPTION	KEY NO.	PART NO.	DESCRIPTION
1	90576	Nut - Hex 8 - 32	38	222698	Key - Flywheel
4	27803	*Gasket - Valve Cover	39	93585	Screw - Hex Hd. Sem
5	92791	Washer - Lock, Shakeproof	40	94296	Retainer - E-Ring
6	222892	Cover - Breather Cylinder No. 2	41	491287	Foam Seal - Governor Shaft
7	93722	Terminal - Spade	42	261560	Upper Bushing - Governor
8	93394	Screw - Sem	43	262332	Lower Bushing - Governor
9	222912	Baffle - Air	44	491530	Crank - Governor
10	93777	Screw - Hex Head (Back Plate to Cylinder)	45	220863	Washer - Governor Crank (Inside)
11	93158	Screw - Sem	46	394501	Gasket Set
12	491247	Housing - Blower	47	271157	Seal - Filler Tube
13	93882	Screw - Crankcase Cover Mtg. Sem	48	93469	Screw - Hex Head
14	270981	*Gasket - Crankcase	49	212337	Gear - Cam
15	222860	Cover Plate - Crankcase	50	222875	Clamp - Oil Filler
16	261463	+Seat - Intake Valve (Standard)	51	280224	Tube - Oil Filler
17	210940	+Seat - Exhaust Valve (Standard)	52	271170	Seal - Oil Filler Cap
18	212462	Head - Cylinder No. 2	53	394020	Cap and Dipstick - Oil Filler
19	93111	Screw - Cylinder Head (1-15/16" Long)	54	394394	Dipstick and Tube Assembly (Inc. Key Nos. 47, 48, 50, 51, 52 & 53)
20	93113	Screw - Cylinder Head (2-5/16" Long)	55	390419	Valve - Exhaust
21	93686	Screw - Hex Head (10 - 32 x 5/8)	56	261528	Valve - Intake
22	92290	Washer - Lock (No. 10 x 1/16 x 3/64)	57	231445	Gear - Timing
23	393415	Oil Slinger Assembly	58	393606	Seal Assembly and Retainer
24	260924	Lock - Piston Pin	59	26828	Spring - Exhaust Valve
25	394959	Ring Set - Piston (Standard)	60	292260	Rotocoil - Exhaust Valve
25	394960	Ring Set - Piston (.010" O.S.)	61	93630	Retainer - Exhaust Valve Rotocoil
25	394961	Ring Set - Piston (.020" O.S.)	62	221596	Retainer - Intake Valve
25	394962	Ring Set - Piston (.030" O.S.)	63	65906	Spring - Intake Valve
26	394955	Piston Assembly (Standard) (Inc. Key Nos. 24 & 25)	64	261368	Tappet - Valve
26	394956	Piston Assembly (.010" O.S.)	65	393382	Crankshaft
26	394957	Piston Assembly (.020" O.S.)			NOTE: ORDER NO. 94196 FOR TIMING GEAR RETAINING DEVICE
26	394958	Piston Assembly (.030" O.S.)	66	261961	+Guide - Exhaust Valve
27	299691	Pin Assembly - Piston (Standard) (Inc. Key No. 24)	67	491730	Cylinder Assembly (Inc. Key No. 68)
27	391286	Pin Assembly - Piston (.005" O.S.)	68	230318	Connector - Impulse Pump
28	394348	Gear - Governor	69	394539	Plug - Spark (Resistor)Champion RJ-12 or equivalent
29	222773	Washer - Thrust	70	66538	Elbow - Spark Plug
30	393270	Rod Assembly - Connecting (Inc. Key Nos. 31 & 32)	71	89838	Wrench - Spark Plug
		NOTE: FOR CONNECTING ROD WITH .020" UNDERSIZE CRANKPIN BORE, ORDER NO. 393714	72	280225	Tube Breather
31	92909	Screw - Connecting Rod	73	394358	Filter - Fuel (In Fuel Line to Tank)
32	220863	Washer	74	212461	Head - Cylinder No. 1
33	291675	Seal - Oil	75	271867	*Gasket - Cylinder
34	91084	Plug - Oil Drain	76	491304	Back Plate Assembly
35	393552	Base Assembly - Crankcase	77	399265	+Bearing - Cylinder
36	271868	*Gasket - Cylinder Head No. 2	78	391086	Seal - Oil
37	271142	*Gasket - Crankcase Cover (1/64" thick)	79	391115	Wire - Ground
37	271188	*Gasket - Crankcase Cover (.005" thick)	80	299146	Line - Fuel (28" cut to required length) (Inc. Key No. 81)
37	271189	*Gasket - Crankcase Cover (.009" thick)	81	93053	Clamp - Fuel Line
			82	393370	Breather Assembly No. 1
			83	93496	Screw - Hex Head
			84	223890	Bracket - Choke Cable
			85	221535	Clamp - Casing

\*INCLUDED IN GASKET SET 394501  
+SPECIAL TOOLS REQUIRED TO INSTALL

**REPAIR PARTS**  
**16 H.P. 44" RIDING YARD TRACTOR - MODEL NUMBER 917.254323**  
**ENGINE BRIGGS AND STRATTON - MODEL NUMBER 402707**  
**TYPE NUMBER 1505-01**  
**AIR CLEANER - CARBURETOR GROUP**



# REPAIR PARTS

16 H.P. 44" RIDING YARD TRACTOR - MODEL NUMBER 917.254323

ENGINE BRIGGS AND STRATTON - MODEL NUMBER 402707

TYPE NUMBER 1505-01

AIR CLEANER - CARBURETOR GROUP

KEY NO.	PART NO.	DESCRIPTION	KEY NO.	PART NO.	DESCRIPTION
1	212706	Knob - Air Cleaner	38	261586	Link - Governor
2	94289	Nut - Hex	39	491282	Plate Assembly - Governor Control
3	223579	Cover - Air Cleaner	40	393815	Impulse Line and Clamp Assembly (Inc. Key No. 41)
4	271271	Element - Air Cleaner	41	93053	Clamp - Fuel Line
5	224039	Mounting Strap Assembly - Air Cleaner	42	397882	Plug and Seal, Solenoid
6	94166	Screw - Hex Head	43	280474	O-Ring Seal
7	398826	Body - Air Cleaner	44	491538	+ Valve Assembly - Carburetor Idle
8	491535	Carburetor Assembly (Inc. Key Nos. 9, 10, 11, 12, 13, 14, 15, 16, 17, 18, 19, 20, 42, 43, 44, 45, 46, 47, 48, 49, 50, 51, 52, 53, 54, 55, 56, 57, 62 & 63)	45	392672	Shaft and Lever - Throttle
9	399535	Body Assembly - Upper Carburetor	46	271013	+ Washer - Choke Shaft
10	271411	Gasket - Air Cleaner	47	26157	Spring - Throttle Adjustment
11	93499	Screw - Throttle and Choke	48	91920	Screw - Machine Fill. Hd. (8 - 32 x 5/8)
12	223534	Valve - Choke	49	270988	x Diaphragm
14	392673	Shaft and Lever - Choke	50	261358	x Spring
15	271607	+ Gasket - Carburetor Body	51	221377	x Cap - Spring
16	298514	Float - Carburetor	52	261395	x Spring - Pump
17	94152	Screw - Hex Head Sem (10 - 32 x 3/4)	53	223688	Cover - Diaphragm
18	491543	Body - Lower Carburetor (Inc. Key Nos. 11, 19, 20, 45 & 46)	54	93829	Screw - Diaphragm - Damping
19	231209	Bushing - Throttle Shaft	55	271025	x Gasket - Carburetor Pump
20	221939	Valve - Throttle	56	270989	x Diaphragm - Damping
21	271412	+ * Gasket - Carburetor and Intake Elbow	57	280197	Body - Pump
22	93897	Screw - Sem	58	394501	Gasket Set
23	93971	Screw - Hex Head	59	394019	Cartridge - Air Cleaner
24	280818	Crank - Bell	60	223472	Plug - Welch
25	270884	* Gasket - Intake Manifold Mounting	61	223714	Cartridge Plate - Air Cleaner
26	93208	Screw - Intake Manifold Mounting	62	230896	+ Pin - Float Hinge
27	93970	Screw - Hex Head	63	394681	+ Valve - Fuel Inlet
28	261587	Link - Throttle	64	271013	Washer
29	280319	Spacer - Carburetor	65	231338	° Jet - Needle Valve (Fixed)
30	213290	Manifold Assembly - Intake	66	490207	Crank - Bell
31	93949	Screw - Sem	67	262375	Link
32	262351	Spring - Governor	71	393397	Repair Kit - Pump
33	491297	Lever Assembly - Governor (Inc. Key Nos. 34, 35 & 37)	72	491539	Overhaul Kit - Carburetor
34	92278	Nut - Hex (10 - 24)	73	94298	Nut - Square
35	222289	Washer	74	223882	Washer
36	261563	Spring - Governor Idle	75	262337	Spring - Compression
37	93853	Bolt - Governor Lever	76	94297	Screw - Pan Head

\*INCLUDED IN GASKET SET 394501

+INCLUDED IN CARBURETOR OVERHAUL KIT 491539

xINCLUDED IN CARBURETOR OVERHAUL KIT 491539 AND PUMP REPAIR KIT 393397

°HIGH ALTITUDE - JET NEEDLE VALVE - PART NO. 231333

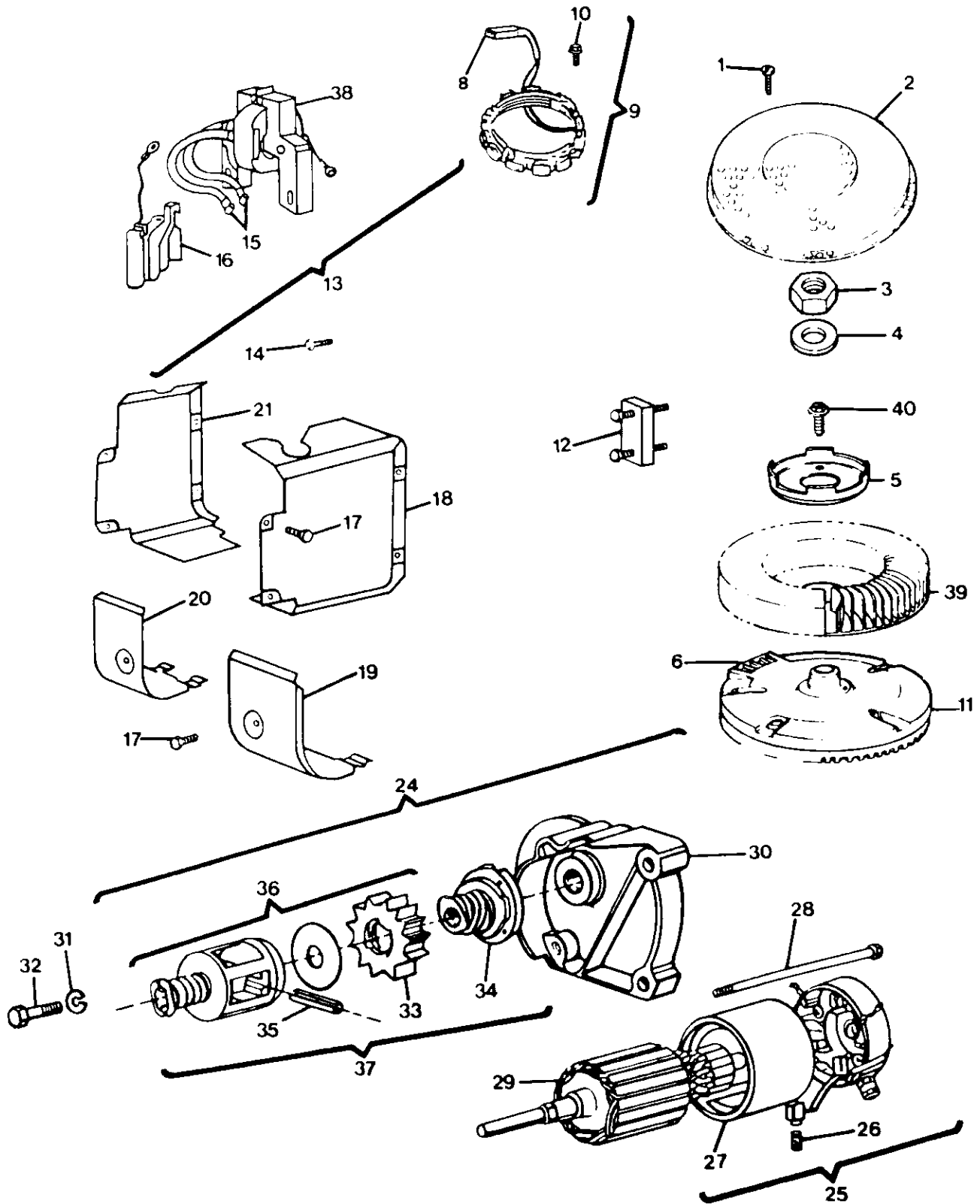
# REPAIR PARTS

16 H.P. 44" RIDING YARD TRACTOR - MODEL NUMBER 917.254323

ENGINE BRIGGS AND STRATTON - MODEL NUMBER 402707

TYPE NUMBER 1505-01

ALTERNATOR AND STARTER MOTOR GROUP



## REPAIR PARTS

**16 H.P. 44" RIDING YARD TRACTOR - MODEL NUMBER 917.254323**

**ENGINE BRIGGS AND STRATTON - MODEL NUMBER 402707**

**TYPE NUMBER 1505-01**

### ALTERNATOR AND STARTER MOTOR GROUP

KEY NO.	PART NO.	DESCRIPTION	KEY NO.	PART NO.	DESCRIPTION
1	94326	Screw - Sem	21	222848	Cover - Air Guide
2	222673	Screen - Flush Rotating	24	394808	Motor - Starting (Inc. Key Nos. 25, 26, 27, 28, 29, 30, 33, 34, 35, 36 & 37)
3	230674	Nut - Hex	25	395537	Commutator End Cap Assembly Starter (Inc. Key No. 26)
4	222511	Washer - Spring	26	395538	Brush Set
5	223726	Retainer - Fan	27	393825	Housing Assembly
6	491180	Flywheel and Ring Gear Assembly - Magneto	28	94003	Thru Bolt
8	393456	Diode and Connector Assembly	29	390837	Armature Assembly (Motor)
9	393474	Stator - Alternator (Dual Circuit) (Inc. Key No. 8)	30	394860	Drive End Cap Assembly - Starter
10	93621	Screw - Sem	31	90366	Lockwasher
11	391362	Gear - Flywheel Ring (Includes Mounting Parts)	32	91162	Screw - Hex Head 15 16 - 18 x 1-1 2
12	19203	Puller - Flywheel (Optional Accessory)	33	280104	Gear - Starter
13	394891	Armature Group (Inc. Key Nos. 15, 16 & 38)	34	398003	Clutch Assembly - Starter
14	93381	Screw - Armature Mounting Sem	35	94192	Roll Pin
15	221798	Terminal - Ignition Cable	36	393254	Pinion Spring Kit (Inc. Key Nos. 33 & 55)
16	394970	Trigger Coil Assembly Magnatron Ignition	37	396865	Starter Drive Group (Inc. Key Nos. 33, 34, 35 & 36)
17	93163	Screw - Sem	38	394988	Armature Assembly
18	222849	Cover - Air Guide	39	280815	Fan - Flywheel
19	222847	Shield - Cylinder	40	93535	Screw - Sem
20	222846	Shield - Cylinder			

## Attachments That Add to the Usefulness of Your Craftsman Yard Tractor

Sears offers a wide variety of attachments that fit your tractor. Many of these are listed below with brief explanations of how they can help you. This list was current at the time of publication; however, it may change in future years — more attachments may be added, changes (including changes in the stock number) may be made in these attachments, or some may no longer be available.

Most of these attachments do not require additional hitches or conversion kits (those that do are indicated) and are designed for easy attaching and detaching. You may order these attachments at most Sears retail stores, catalog sales offices, and through the catalog.

LAWN SWEEPERS let you collect grass clippings and leaves.

71-24030	30-in.	9.0 cu. ft.
71-24032	32-in.	10.0 cu. ft.
71-24033 High-Performance	32 in.	11.5 cu. ft.
71-24038	38-in.	12.5 cu. ft.

LAWN VACS for powerful collections of heavy grass clippings and leaves. Wand attachment to pick up debris in hard-to-reach places.

71-2455	3HP	8 bu.	71-26471 chute
71-2452	3HP	12 bu.	71-26471 chute

CARTS make hauling easy.

71-24353	4 cu. ft.	400 lb.	Dump cart
71-24354	10 cu. ft.	1,000 lb.	Hauling cart
71-24355	10 cu. ft.	1,000 lb.	Dump cart
71-24356	14 cu. ft.	1,250 lb.	Dump cart

ROLLER for smoother lawn surface. 36-inch wide, 18 inch diameter water-tight drum holds up to 390 lb. of weight. Rounded edges prevent harm to turf. Adjustable scraper automatically cleans drum. Stock number 71-24084.

SPREADER/SEEDERS make seeding, fertilizing, and weed killing easy. Broadcast spreaders are also useful for granular de-icers and sand.

71-24194	Drop type, 36 inch. 12 in. semi-pneumatic wheels. 100 lb. capacity steel hopper.
71-24394	Broadcasts over a 5 to 8 foot swath. 70 lb. capacity steel hopper. Noncorrosive spreading spinner, nylon gear box, stainless steel shaft.
71-24395	Broadcasts 8 to 10 foot swath. 160 lb. capacity. No-rust polypropylene hopper and impeller. Vinyl hopper cover.

CORING AERATOR takes small plugs out of soil to allow moisture and nutrients to reach grass roots. 36-inch swath. 24 hardened steel coring tips. 150 lb. capacity weight tray. Stock number 71-25351

AERATOR promotes deep root growth for a healthy lawn. Tapered 2.5" steel spikes mounted on 10-in. diameter discs puncture holes in soil at close intervals to let moisture soak it. Steel weight tray for increased penetration. Stock number 71-2435.

DETHATCHER loosens and flips thatch and matted leaves to lawn surface for easy pick up. Twenty spring tine teeth. Useful to prepare bare areas for reseeding. 40 inch rear mount, Stock number 71-24313; 38 inch front mount, Stock number 71-24301

SPRAYERS use 12-volt DC electric motor that connects to the tractor battery or other 12-volt source. Includes booms for automatic spraying when pulling, and hand held wand for spot spraying. Wand has adjustable spray pattern. For applying herbicides, insecticides, fungicides, and liquid fertilizers.

71-2458	50 psi maximum pressure with 12 foot wand length. Sprays up to 25 feet with wand.
71-24398	25 psi maximum pressure with 10 foot wand length. Sprays up to 18 feet with wand.

SNOW BLADE for snow removal only. 14 inch high, 42 inch wide blade clears 38 inch path when angled left or right. Raises, lowers with side lever. Adjustable skids: replaceable, reversible scraper bar. (Use with tire chains, wheel weights, or rear drawbar weight). Stock number 71-24407.

SNOWTHROWER has 40-inch swath. Drum-type auger handles powdery and wet/heavy snow. Mounts easily with simple pin arrangement. Discharge chute adjusts to 210 degree arc from tractor seat. 6-inch diameter spout discharges snow 10 to 50 ft. Lift controlled at tractor seat. (Use with tire chains, wheel weights, or rear drawbar weight). Stock No. 71-24072.

TIRE CHAINS are heavy duty; closely spaced extra-large cross links give smooth ride, outstanding traction. Stock No. 71-24952.

WHEEL WEIGHTS for rear wheels provide needed traction for snow removal or dozing heavy materials. In pairs. Stock No. 71-24435 (33 lb. each)

TRACTOR CAB has heavy duty vinyl fabric over tubular steel frame, ABS plastic top; clear plastic windshield offers 360 degree visibility. Hinged metal frame doors with catch. Keeps operator warm and dry. Remove vinyl and windshield for use as sun protector in summer. Stock No. 71-24172.

Optional accessories for tractor cab: tinted/tempered solid safety glass windshield with hand operated wiper (Stock No. 71-26168); 12-volt amber caution light for mounting on cab top (Stock No. 71-26169).

TRACTOR COVER protects tractor from weather. Made of Evolution 3 fabric (water-repellent, extremely breathable, light weight, soft, non-abrasive, pliable in all temperatures, durable, stain-tear-puncture resistant, will not shrink or stretch). Stock No. 71-24601.

TILLER cultivates and prepares soil in one operation. Uses PTO from tractor, 12 counter-rotating blades break ground with upper-cut action, then deflects and retills it for a soft, aerated soil. Chain-Drive transmission. Tills 21-inch path, 6-inches deep. (Use chains and wheel weights). Stock No. 71-25246