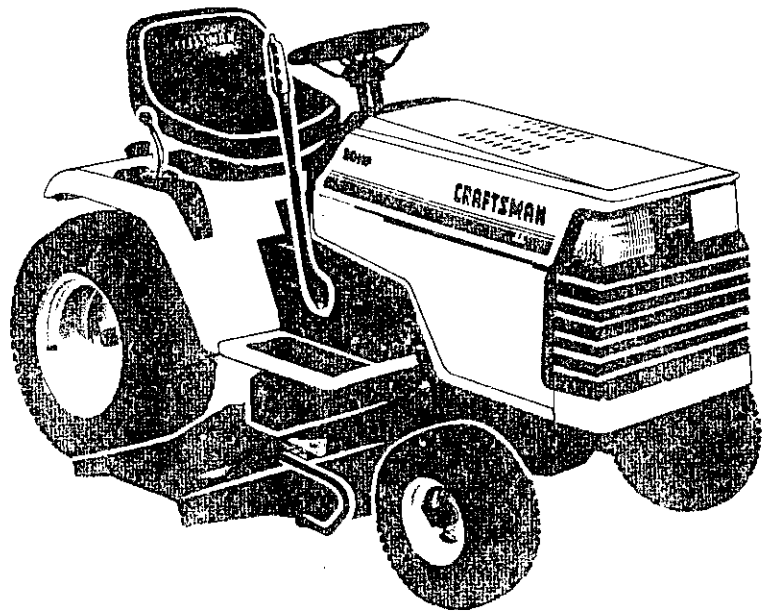


**SEARS  
OWNER'S  
MANUAL**

MODEL NO.  
917.254460

MODEL NO.  
917.250040  
(without  
Mower Deck)

Caution:  
Read and follow  
all Safety Rules  
and Instructions  
Before Operating  
This Equipment

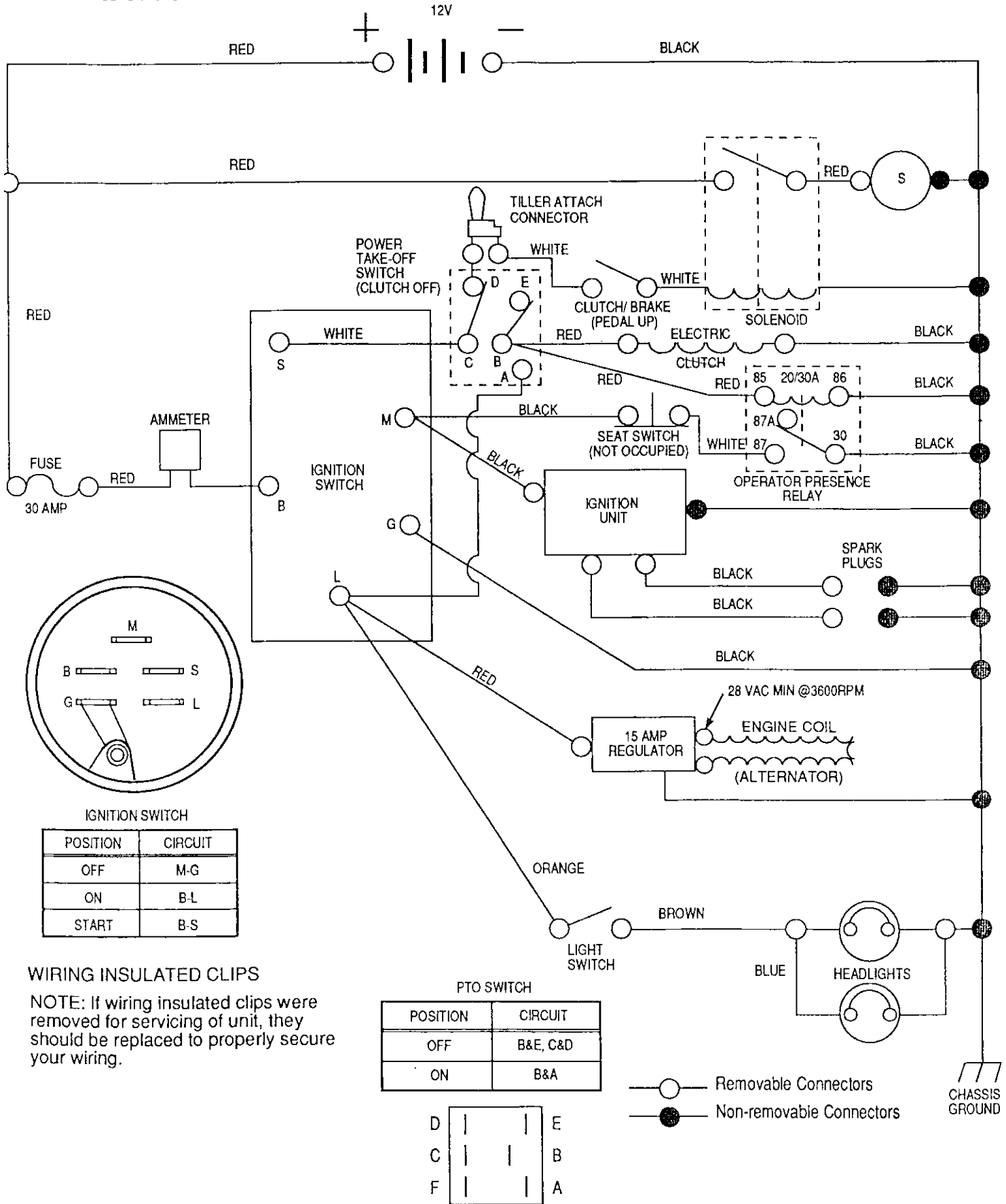


**CRAFTSMAN®  
20.0 HP TWIN  
ELECTRIC START  
44" MOWER DECK  
6 SPEED TRANSAXLE  
GARDEN TRACTOR**

- Assembly
- Operation
- Maintenance
- Service and Adjustment
- Repair Parts

# 20 H.P. GARDEN TRACTOR - MODEL NUMBER 917.254460 AND 917.250040

## SCHEMATIC



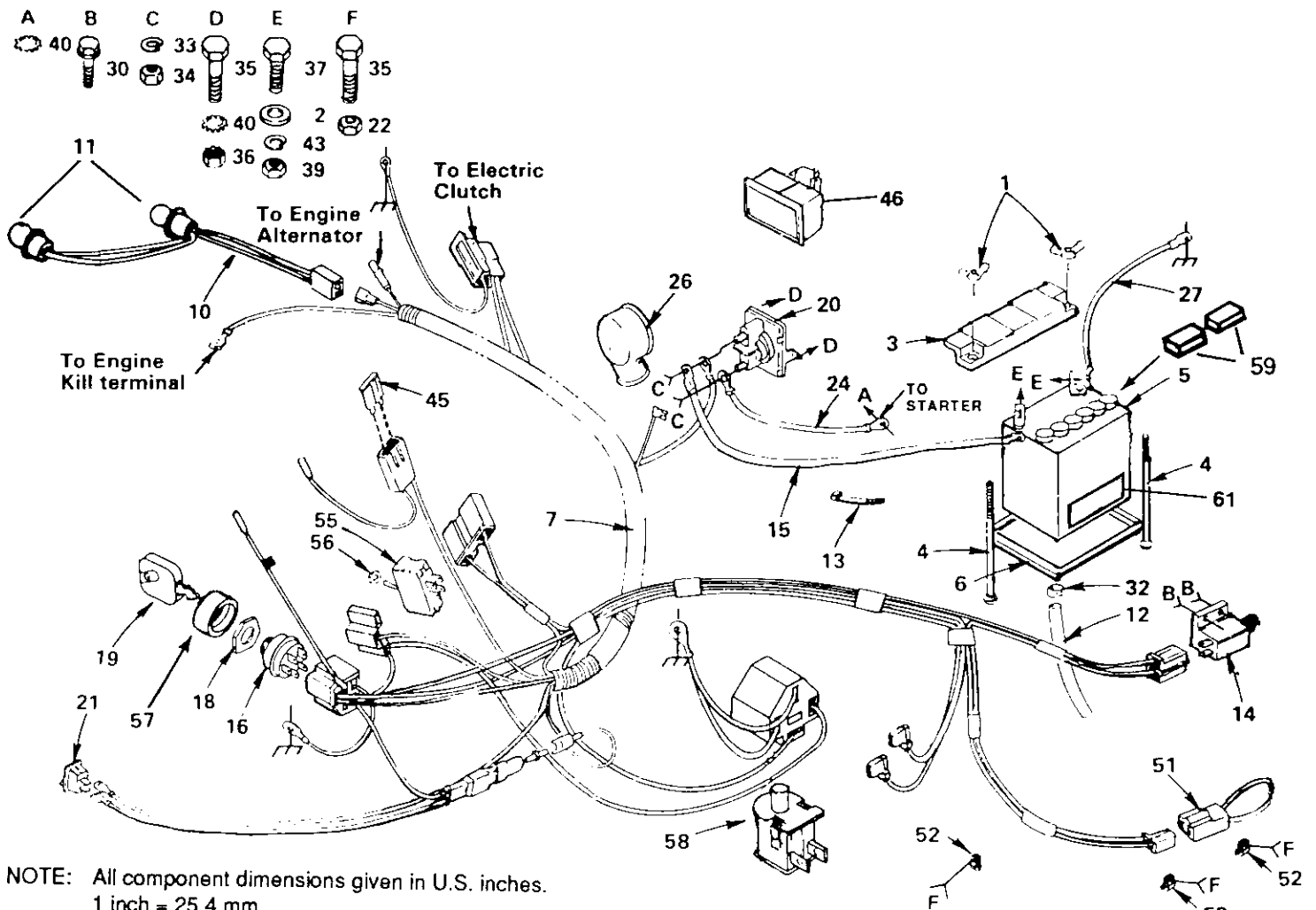
### WIRING INSULATED CLIPS

NOTE: If wiring insulated clips were removed for servicing of unit, they should be replaced to properly secure your wiring.

# REPAIR PARTS

## 20 H.P. GARDEN TRACTOR - MODEL NUMBER 917.254460 AND 917.250040

### ELECTRICAL

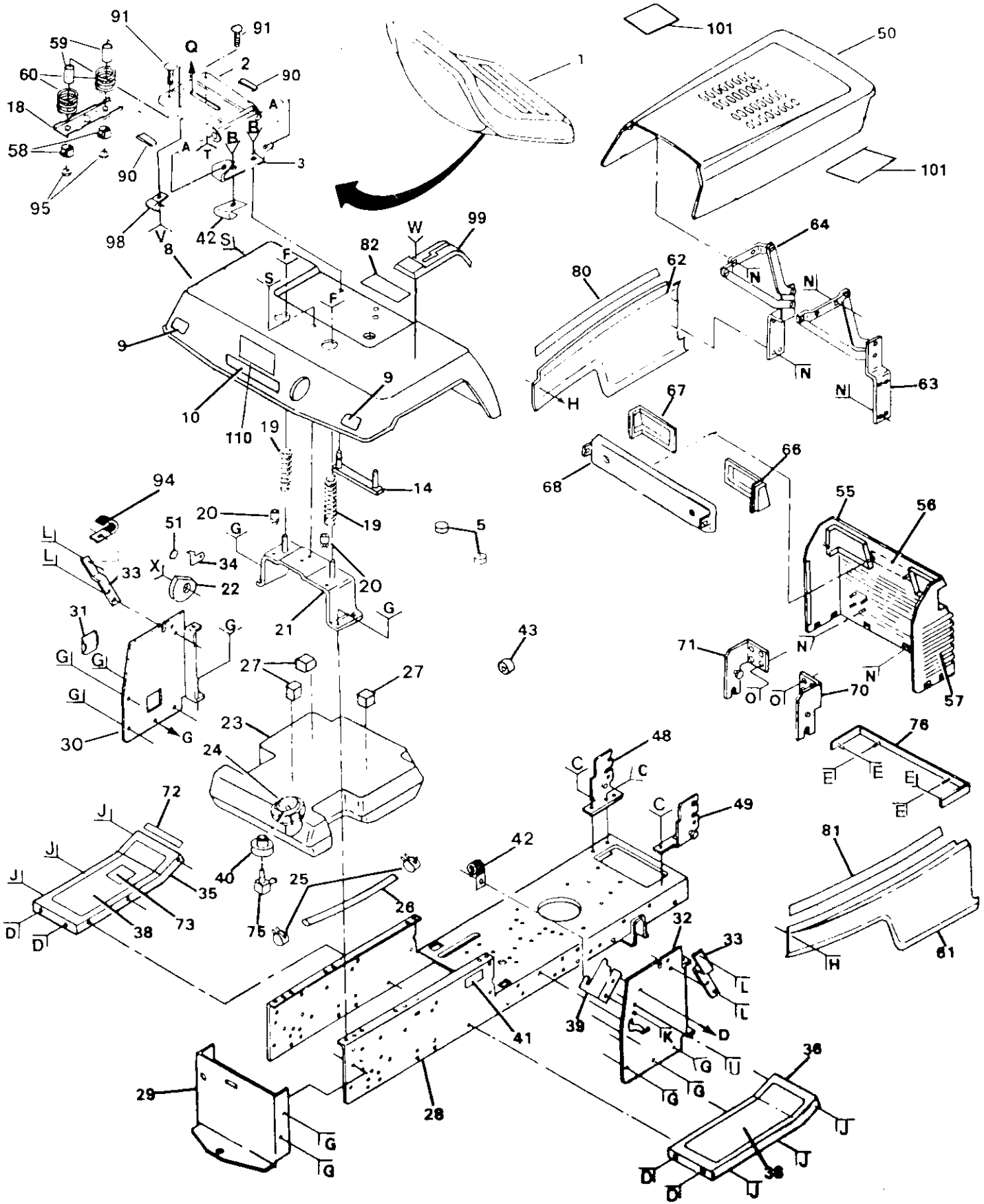


NOTE: All component dimensions given in U.S. inches.  
1 inch = 25.4 mm.

KEY PART NO. NO.	DESCRIPTION	KEY PART NO. NO.	DESCRIPTION		
1	123198X	Wing Nut 1/4 - 20	30	STD601005 * Screw - Tap. Hex Hd. No. 10 - 24 UNC x 1/2 Type T	
2	STD551025 *	Washer 9/32 x 5/8 x 16 Ga.	32	109596X	Clamp - Hose
3	102476X	Guard - Terminal	33	STD551125 *	Lockwasher 1/4
4	STD532575 *	Bolt, Carriage 1/4- 20 x 7- 1/2	34	73350400 *	Nut - Hex Jam 1/4 - 20
5	121537X	Battery	35	74780408	Bolt-Hex 1/4 - 20 x 1/2 Gr. 5
6	7603J	Battery Tray	36	STD541425 *	Nut-Keps, Hex 1/4 - 20
7	124654X	Harness - Ignition	37	74760412	Bolt-Hex 1/4 - 20 x 3/4
10	110859X	Harness - Light Socket	39	STD541025 *	Nut-Hex 1/4 - 20
11	4152J	Bulb - Light	40	11050400	Washer - Lock 1/4 Ext. Tooth
12	100541K	Tube - Battery Tray	43	STD551125 *	Lockwasher 1/4
13	7192J	Cable Tie	45	108824X	Fuse - 30 Amp.
14	104445X	Switch - Interlock - Clutch	46	121433X	Ammeter
15	4206J	Cable - Battery (Battery to Solenoid)	51	102501X	Loop - Wire
16	4406R	Ignition Switch	52	235R	Clip - Insulated
18	109788X	Nut - Ignition	55	4021J	Switch PTO
19	109310X	Key	56	4022J	Nut-Hex
20	109081X	Solenoid	57	109787X	Bezel, Ignition
21	110712X	Switch - Light	58	121305X	Switch Seat
22	73680400	Nut - Hex 1/4 - 20	59	121264X	Cap Battery
24	4799J	Cable - Battery (Solenoid to Starter)	61	120960X	Decal, Battery
26	719J	Terminal Cover (For Solenoid)	---	125895X	Owner's Manual (English)
27	4207J	Cable - Battery (Battery to Ground)	---	101539X	Sheet, Instruction - Tractor 15° Slope (English)

# REPAIR PARTS

## 20 H.P. GARDEN TRACTOR - MODEL NUMBER 917.254460 AND 917.250040 CHASSIS AND ENCLOSURES



# REPAIR PARTS

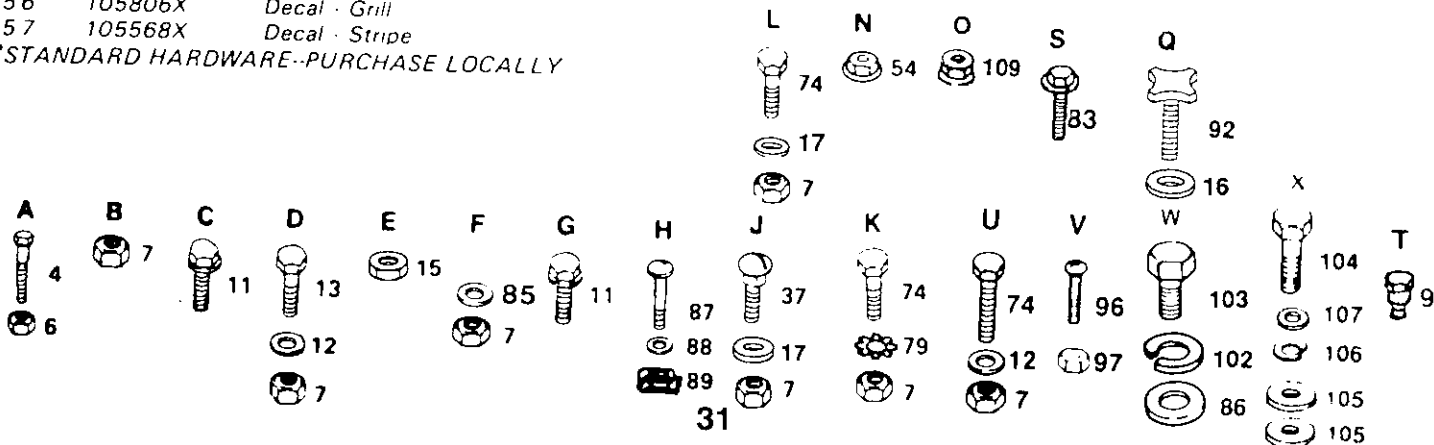
## 20 H.P. GARDEN TRACTOR - MODEL NUMBER 917.254460 AND 917.250040

### CHASSIS AND ENCLOSURES

NOTE: All component dimensions given in U.S. inches  
1 inch = 25.4 mm

KEY NO.	PART NO.	DESCRIPTION	KEY NO.	PART NO.	DESCRIPTION
1	120066X	Seat	58	121248X	Bushing, Snap
2	124294X	Pan - Seat	59	121249X	Spacer, Split
3	105513X	Bracket - Pivot - Seat	60	121250X	Spring, Compression
4	105529X	Bolt - Shoulder 5/16 - 18	61	108403X	Panel Side - R.H.
5	124238X	Cap - Spring	62	108410X	Panel Side L.H.
6	73680500	Nut - Lock 5/16 - 18	63	126432X	Hinge R.H.
7	73680600	Nut - Lock 3/8 - 16	64	126431X	Hinge L.H.
8	123784X	Fender	66	106003X	Lens R.H.
9	106202X	Reflector - Rear	67	106004X	Lens L.H.
10	105801X	Decal	68	110897X	Bezel Headlight
11	17490612	Screw, Hex Washer Thd. Roll 3/8-16 x 3/4	70	108512X	Bracket Pivot R.H.
12	19131312	Washer 13/32 x 13/16 x 12 Ga.	71	108513X	Bracket Pivot L.H.
13	STD523707	*Bolt, Hex, 3/8-16 x 3/4	72	4900J	Decal Clutch Brake
14	105511X	Strap - Fender	73	109199X	Decal Drive Belt
15	73220400	Nut, Fin. Hex 1/4 - 20	74	74760612	Bolt Hex 3/8 16 x 3/4
16	19171912	Washer 17/32 x 1-3/16 x 12 Ga.	75	8710J	Stem Tank Fuel
17	120684X	Washer, Neoprene	76	110350X	Strap Assembly Grill
18	121246X	Bracket, Switch - Seat	79	11050600	Washer Lock Ext Tooth 3/8
19	124181X	Compression - Spring R.H.	80	106813X	Decal Stripe Side Panel, L.H.
20	105531X	Nut, Push	81	106814X	Decal Stripe, Side Panel, R.H.
21	105509X	Bracket - Fender	82	106974X	Decal Caution
22	123934X	Scale, Height Indicator	83	17490608	Bolt, Hex Washer Thread Rolling 3/8 16 X 1/2
23	106020X	Tank - Fuel	85	19131614	Washer 13 32 x 1 x 14 Ga.
24	123549X	Cap - Fuel	86	19060718	Washer 3/16 x 7/16 x 18 Ga.
25	123487X	Clamp - Hose	87	106909X	Screw - Special
26	8542R	Line - Fuel	88	106910X	Washer
27	106082X	Pad - Spacer	89	108402X	U-Clip
28	121277X	Chassis Assembly	90	121251X	Strip, Foam
29	123785X	Drawbar	91	72170410	Bolt, Carr. 1/4 - 20 x 1-1/4
30	124118X	Panel - Dash - L.H.	92	120068X	Knob, Seat
31	121794X	Cover, Access	93	121144X	Shoulder Bolt
32	110828X	Panel - Dash - R.H.	94	5320R	Clip - Insulated
33	105525X	Bracket - Support - Dash	95	123976X	Nut, Hex Large Flange
34	123933X	Pointer, Height Indicator	96	74641008	Screw - Sld. Pan Head #10 - 24 x 1/4
35	105465X	Footrest - L.H.	97	73951000	Nut, Keps #10 - 24
36	105464X	Footrest - R.H.	98	4171R	Clip, Insulated
37	STD533707	*Bolt, Carr. 3/8-16 x 3/4	99	123825X	Console, Shifter
38	105466X	Pad, Footrest	101	126313X	Decal, Hood
39	110923X	Bracket - Clutch - Mower	102	10100800	Washer, Lock
40	3645J	Bushing	103	74640806	Screw #8 x 3/8
41	105567X	Decal - 6 Speed 44"	104	74780516	Bolt, Hex 5/16 - 18 UNC x 1
42	2751R	Clip - Insulated	105	19112410	Washer 11/32 x 1 1/2 x 10 Ga
43	110436X	Grommet, Split	106	10040500	Washer, Lock
48	109015X	Bracket - Pivot - L.H.	107	120529X	Washer, Nylon
49	109016X	Bracket - Pivot - R.H.	108	9151R	Grommet
50	106013X017	Hood	109	120579X	Pal Nut
51	123935X	Plug, Hole	110	750211	Decal, U.S.A.
52	73680400	Nut - Crownlock 1/4-20			
54	108067X	Pal - Nut			
55	105528X	Grill			
56	105806X	Decal - Grill			
57	105568X	Decal - Stripe			

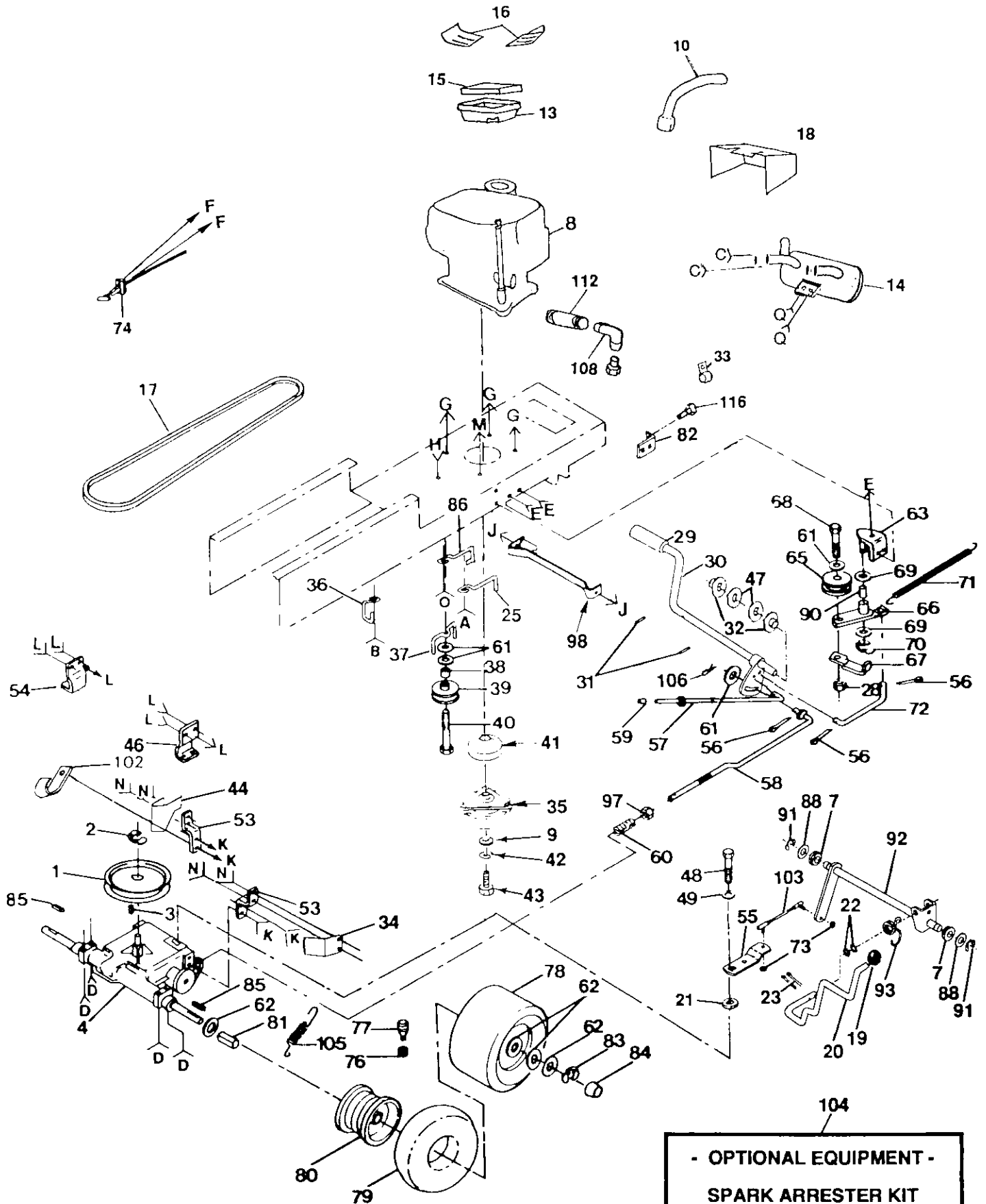
\*STANDARD HARDWARE - PURCHASE LOCALLY



# REPAIR PARTS

20 H.P. GARDEN TRACTOR - MODEL NUMBER 917.254460 AND 917.250040

DRIVE



- OPTIONAL EQUIPMENT -  
SPARK ARRESTER KIT

# REPAIR PARTS

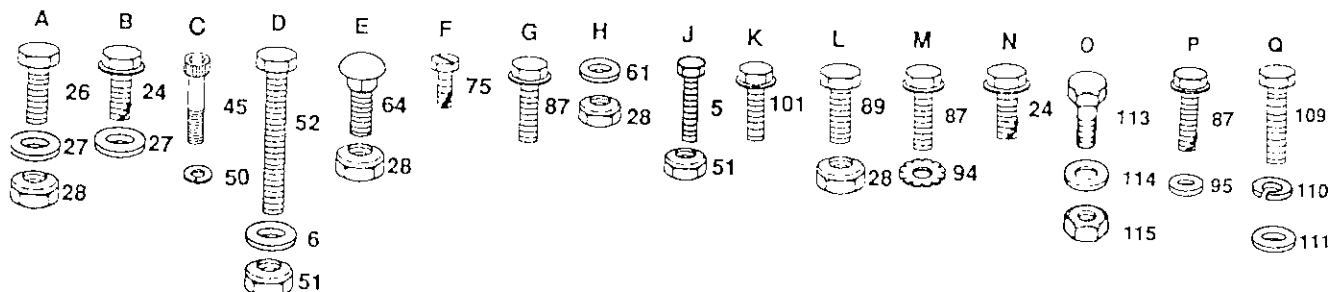
## 20 H.P. GARDEN TRACTOR - MODEL NUMBER 917.254460 AND 917.250040

### DRIVE

KEY PART NO. NO.	DESCRIPTION	KEY PART NO. NO.	DESCRIPTION
1	121327X Pulley, Transaxle (Driven)	61	STD551037 Washer 13/32 x 13/16 x 16 Ga.
2	12000004 Ring, Retainer	62	123800X Washer 1-1/32 x 1 - 5/8 x 16 Ga.
3	2228M Key, Woodruff #9	63	123102X Bracket, Clutch
4	123797X Transaxle, 6-Speed, Peerless Model No. 143.820-016	64	STD533707 Bolt, Carriage 3/8 - 16 x 3/4
5	STD533107 Bolt, Hex 5/16 - 18 x 3/4	65	123766X Pulley, Idler
6	19111214 Washer 11/32 x 3/4 x 14 Ga.	66	123789X Arm, Idler
7	71208 Bushing, Rod, Steering	67	123205X Retainer, Belt
8	125605X Engine, 20 HP Kohler Model No. MV20S, Spec. No. 57517	68	STD523715 Bolt, Hex 3/8 - 16 x 1-1/2
9	126197X Washer 15/32 x 1- 3/4 x 1/4	69	110812X Washer, Hardened
10	125893X Tube Assembly, Exhaust	70	12000039 Ring, Clip
13	125762X Duct, Air, Kohler	71	105709X Spring, Return, Clutch
14	125890X Muffler	72	105710X Link, Clutch
15	123537X Foam, Strip	73	73530400 Nut 1/4 - 28
16	120511X Bracket, Air Duct	74	125726X Control, Throttle
17	123796X V-Belt, Drive	75	17720410 Screw, Hex, Thread Cutting 1/4 - 20 x 5/8
18	125891X Shield, Heat Kohler Vertical Twin	76	59192 Cap, Valve
19	106933X Knob	77	65139 Stem, Valve
20	123781X Rod, Shifter	78	124106X Tire, Rear
21	105701X Washer, Shift Plate	79	7154J Tube (Not furnished with Tractor)
22	19171216 Washer 17/32 x 3/4 x 16 Ga.	80	124074X Rim
23	STD561210 Pin, Cotter 1/8 x 1	81	108097X Spacer, Split
24	17490612 Screw, Hex Washer Hd. Thd. Roll. 3/8 - 16 x 3/4	82	108236X Bracket, Switch
25	105730X Keeper, Belt, Engine	83	12000053 E-Ring
26	STD523710 Bolt, Hex 3/8 - 16 x 1	84	104757X Cap Hub, Rear
27	19131312 Washer 13/32 x 13/16 x 12 Ga.	85	9396E Key Square 1/4 x 2
28	STD541437 Locknut 3/8 - 16	86	121218X Keeper, Belt, Engine
29	8883R Cover, Foot Pedal	87	125991X Screw, Self Tapping
30	122424X Shaft, Foot Pedal	88	19212016 Rolling 3/8 - 16 x 1- 1/2
31	1572H Pin, Roll 3/16 x 1	89	STD523707 Washer 21/32 x 1 - 1/4 x 16 Ga.
32	120813X Bearing, Nylon	90	105706X Bolt Hex 3/8 - 16 x 3/4
33	122758X Clamp, Muffler	91	12000008 Bearing
34	123792X Keeper, Belt, Transaxle, H.H.	92	123772X Ring, Klip
35	124648X Clutch, Electric	93	123782X Shaft Assembly, Shifter
36	123788X Retainer, Belt	94	STD551237 Spring, Torsion
37	109070X Keeper, Belt	95	19060916 Washer, Lock, Ext. Tooth 3/8
38	4470J Spacer	96	125991X Washer
39	123674X Idler, Flat	97	STD541437 Locknut 3/8 - 16
40	STD523727 Bolt, Hex 3/8 - 16 x 2 - 3/4	98	109169X Retainer Assembly, Clutch
41	124647X Pulley, Engine	99	109169X Screw, Hex, Washer, Thd. Rolling 5/16 - 18 x 3/4
42	STD551143 Washer, Lock 7/16	100	2751R Clip, Fuel Line
43	74610764 Bolt, Hex 7/16 - 20 x 4	101	123793X Rod, Tie
44	123791X Keeper, Belt, Transaxle, L.H.	102	126621X Spark Arrester Kit
45	74570512 Screw, Hex Socket 5/16 - 16 X 12 Ga.	103	110422X Spring, Brake Return
46	123776X Bracket Transaxle, R.H.	104	4497H Clip, Hair Pin
47	19211616 Washer 21/32 x 1 x 16 Ga.	105	13280336 Nipple, Pipe
48	71040412 Bolt, Hex 1/4 - 28 x 3/4	106	STD512505 Bolt, Hex 1/4 - 20 x 1/2
49	STD551025 Washer 9/32 x 3/4 x 16 Ga.	107	STD551131 Washer, Lock 1/4
50	STD551131 Washer, Lock Hvy. Helical Spring	108	STD551025 Washer 9/32 x 3/4 x 16 Ga.
51	STD541431 Locknut 5/16 - 18	109	13200300 Elbow, Pipe STD 90°
52	74780544 Bolt, Hex 5/16 - 18 x 2 - 3/4	110	74760516 Bolt, Hex 5/16 - 18 UNC x 1
53	123787X Strap, Torque	111	19111212 Washer 11/32 x 3/4 x 12 Ga.
54	123780X Bracket, Transaxle, L.H.	112	STD541431 Nut, Crownlock 5/16 - 18
55	123794X Shift Arm	113	STD601005 Screw, Tap Hex Hd. #10 - 24 x 1/2
56	STD561210 Pin, Cotter 1/8 x 3/4		
57	125637X Rod, Brake, Park		
58	123786X Rod, Brake		
59	124236X Cap, Plunger		
60	106888X Spring, Rod, Brake		

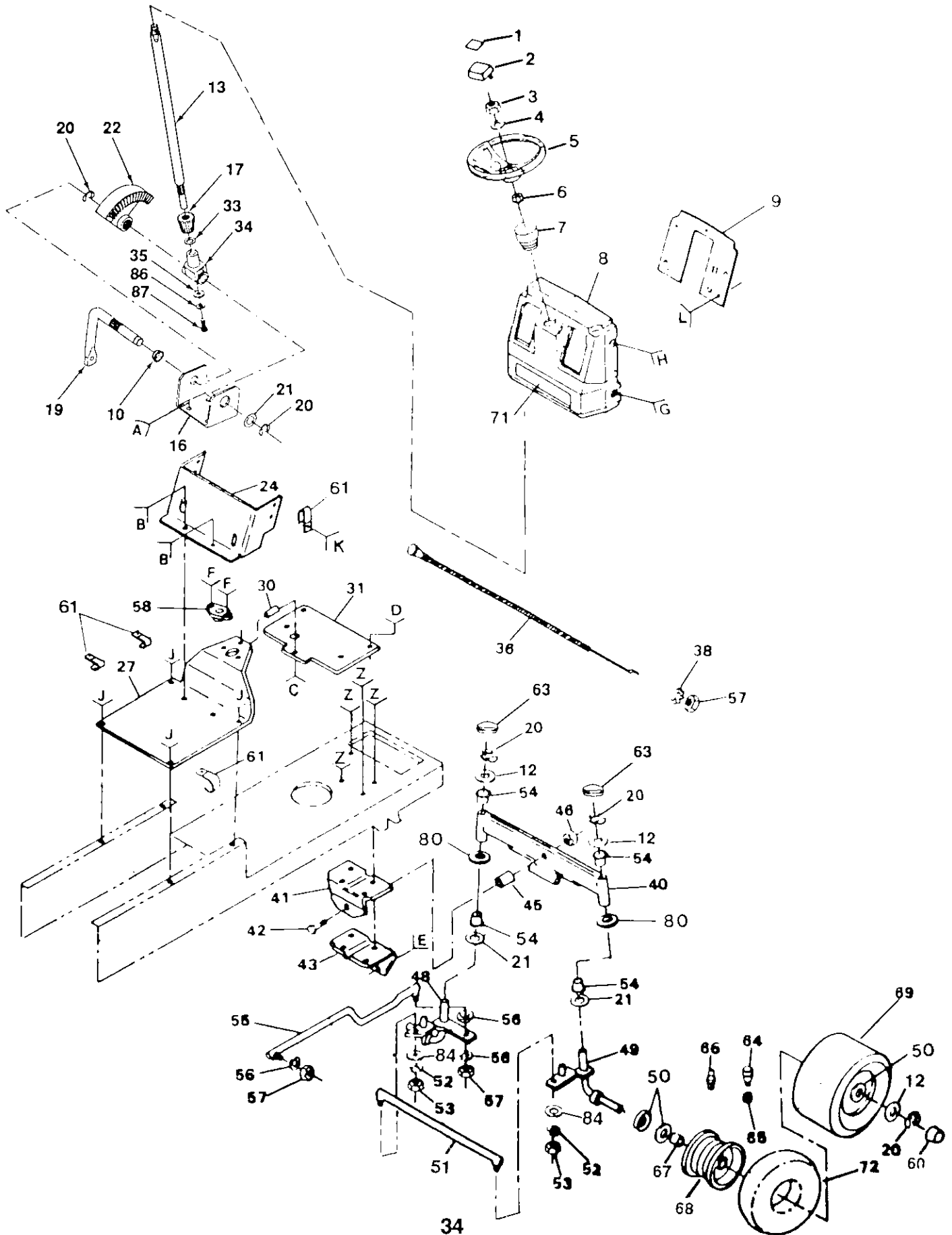
\* STANDARD HARDWARE—PURCHASE LOCALLY

NOTE: All component dimensions given in U.S. inches  
1 inch = 25.4 mm



# REPAIR PARTS

## 20 H.P. GARDEN TRACTOR - MODEL NUMBER 917.254460 AND 917.250040 STEERING ASSEMBLY





# REPAIR PARTS

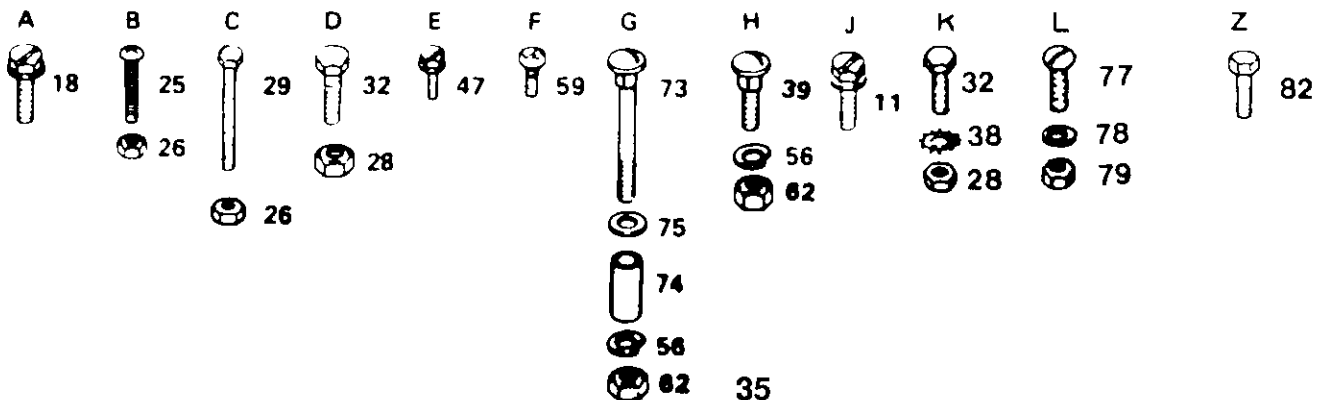
## 20 H.P. GARDEN TRACTOR - MODEL NUMBER 917.254460 AND 917.250040

### STEERING ASSEMBLY

KEY NO.	PART NO.	DESCRIPTION	KEY NO.	PART NO.	DESCRIPTION
1	105810X	Decal - Cap. Steering Wheel	46	73901000	Nut, Lock, Flange 5/8-11
2	100710L	Insert, Steering Wheel	47	17490508	Screw, Hex Washer Thd. Rolling 5/16-18 x 1/2
3	73940800	*Nut, Top Lock 1/2 - 20UNF	48	105656X	Spindle, L.H.
4	100712K	Washer	49	105654X	Spindle, R.H.
5	121021X	Wheel, Steering	50	121749X	Washer 25/32 x 1-1/4 x 16 Ga.
6	100711L	*Adapter - Steering Wheel	51	121334X	Rod, Tie
7	110709X	Column - Steering	52	STD551131	*Washer, Lock 5/16
8	120028X	Dash	53	STD541131	*Nut, Hex 5/16-24
9	124557X 011	Dash Plate	54	3366R	Bearing
10	109816X	Nyliner, Snap-In	55	124032X	Link, Drag
11	17490608	Screw, Hex Washer Thd. Rolling 3/8-16 x 1/2	56	STD551137	*Washer, Lock 3/8
12	121748X	Washer 25/32 x 1-5/8 x 16 Ga.	57	STD541137	*Nut, Hex 3/8-24
13	124041X	Shaft, Steering	58	1554J	Bushing, Steering
16	124036X	Bracket, Steering	59	17431008	Screw, Hex No. 10-16 x 1/2
17	124037X	Gear, Pinion	60	104757X	Cap, Hub, Front
18	17490612	Screw, Hex Washer Thd. Rolling 3/8-16 x 3/4	61	2751R	Clip, Fuel Line
19	124033X	Shaft, Pitman	62	STD541037	*Nut, Hex 3/8-16
20	12000029	Klip Ring	63	121232X	Spindle, Cap
21	6266H	Bearing, Thrust	64	59192	Cap, Valve
22	124034X	Gear, Sector	65	65139	Stem, Valve
24	105518X	Dash, Lower	66	278H	Fitting, Grease
25	74180512	Screw, Crown Truss Hd. 5/16-18 x 3/4	67	9040H	Bearing
26	73680500	Nut, Lock 5/16-18	68	106732X	Rim, 6" Front
27	123783X 012	Saddle	69	106222X	Tire, Front
28	73680600	Nut, Lock 3/8-16	71	108456X	Decal, Instructions, Operating
29	STD523120	*Bolt, Hex 5/16-18 x 2	72	59904	Tube, Tire, Front
30	121236X	Spacer	73	72110622	Bolt, Carriage Hex 3/8-16 x 2-3/4
31	106001X	Support Plate, Battery	74	121235X	Spacer
32	STD523707	*Bolt, Hex 3/8-16 x 3/4	75	19131416	Washer 13/32 x 7/8 x 16 Ga.
33	57079	Washer	77	STD512507	*Screw, Pan Head 1/4-20 x 3/4
34	124035X	Shaft, Support	78	19091216	Washer 13/32 x 3/4 x 16 Ga.
35	126684X	Washer 5/8 x 1/4 x 16 Ga.	79	73510400	Nut, Keps 1/4 NC
36	125727X	Control, Choke	80	19272016	Washer 27/32 x 1-1/4 x 16 Ga
38	11050600	Washer, Lock, Int./Ext. Tooth 3/8	82	122819X	Screw, Special 3/8 - 16 x 3/4
39	72110608	Bolt, Carriage	84	19111216	Washer 11/32 x 3/4 x 16 Ga.
40	108075X	Axle, Front	86	STD551125	Lockwasher 1/4
41	105663X	Support, Saddle, Rear	87	71070410	Screw, Socket Hex 1/4 x 20 x 5/8
42	74761060	Bolt, Hex 5/8-11 x 3-3/4			
43	105664X	Support, Saddle, Front			
45	110438X	Spacer Bearing, Front Axle			

\*STANDARD HARDWARE -- PURCHASE LOCALLY

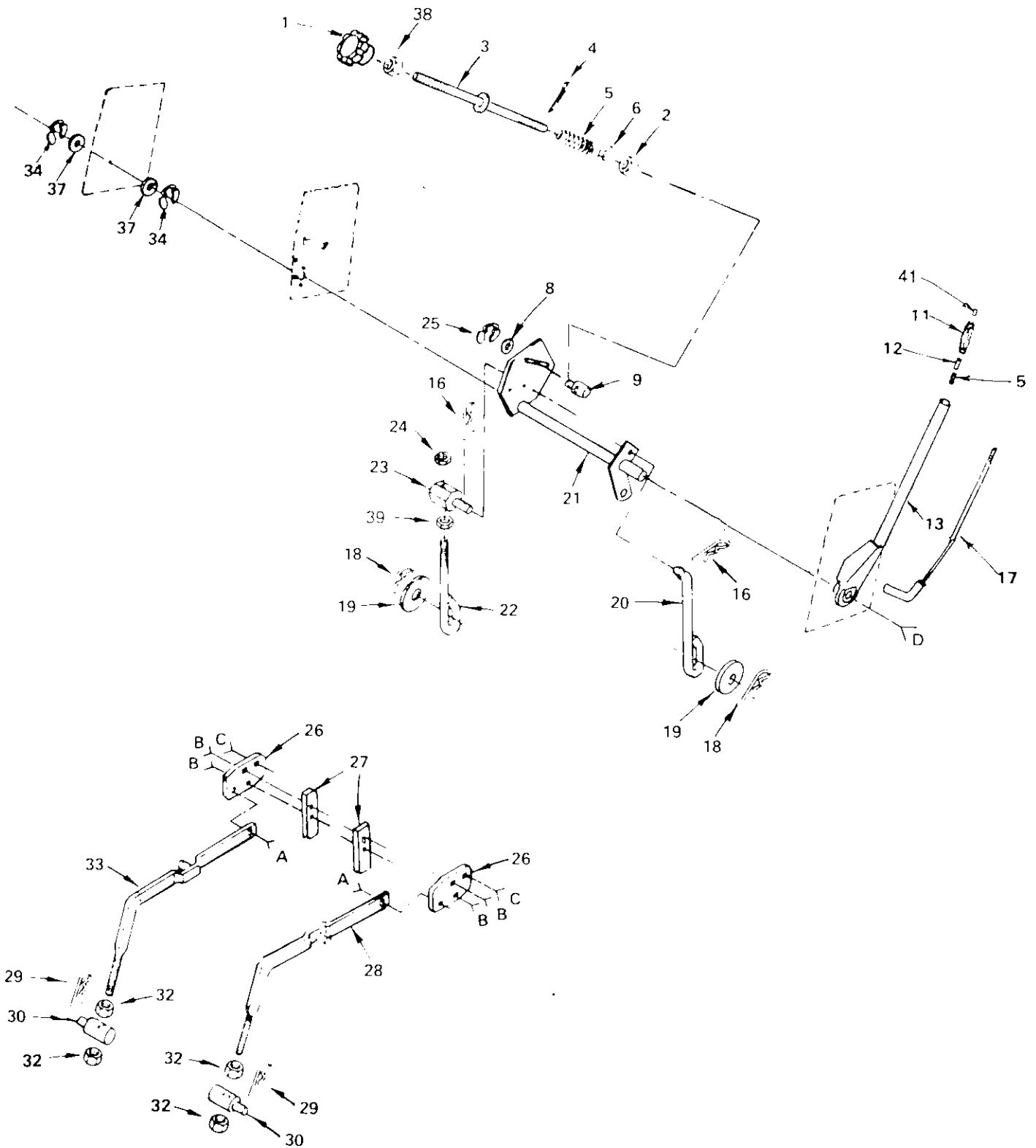
NOTE: All component dimensions given in U.S. inches - 1 inch = 25.4 mm



# REPAIR PARTS

20 H.P. GARDEN TRACTOR - MODEL NUMBER 917.254460 AND 917.250040

## LIFT ADJUSTMENT



# REPAIR PARTS

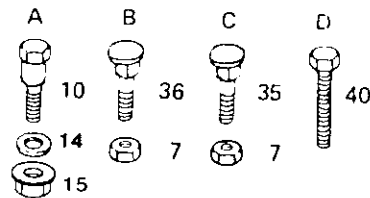
## 20 H.P. GARDEN TRACTOR - MODEL NUMBER 917.254460 AND

### LIFT ADJUSTMENT

KEY PART NO.	KEY PART NO.	DESCRIPTION	KEY PART NO.	KEY PART NO.	DESCRIPTION
1	100734K	Knob, Height Adjustment	21	124516X	Shaft - Lift
2	110807X	Nut Hex Special	22	110448X	Link - Lift,
3	110729X	Rod - Adjust - Lift	23	110447X	Trunnion -
4	STD560907 *	Pin - Cotter 3/32 x 1/2	24	73710700	Nut Lock 7/
5	2876H	Spring	25	12000037	Klip Ring
6	19131016	Washer 13/32 x 5/8 x 16 Ga.	26	105864X	Bracket - S
7	STD541437 *	Nut - Lock 3/8 - 16	27	121252X	Upstop Mov
8	19151216	Washer 15/32 x 3/4 x 16 Ga.	28	121598X	Arm - Susp
9	110810X	Trunnion	29	9135R	Retainer Sp
10	105848X	Bolt, Shoulder 3/8 - 16	30	106308X	Trunnion -
11	125631X	Grip- Handle	32	STD541050 *	Nut- Hex Fi
12	122364X	Plunger - Lever	33	121599X	Arm - Suspx
13	121004X	Lever - Lift (Includes Key No. 17)	34	12000022	E-Ring
14	110739X	Spring Washer	35	STD533710 *	Bolt - Carria
15	73980600	Center Lock Flangenut 3/8 x 16	36	STD533707 *	Bolt Carriag
16	4939M	Retainer - Spring	37	19292016	Washer 29/
17	121006X	Rod - Lever	38	STD541237 *	Nut., Hex Ja
18	4921H	Retainer - Spring	39	STD541343 *	Nut - Hex J.
19	19171516	Washer 17/32 x 15/16 x 16 Ga.	40	74780624	Bolt - Hex 3
20	110029X	Link - Lift	41	122365X	Button - Plu

\*STANDARD HARDWARE—PUF

NOTE: All component dimensions given in inches.  
1 inch = 25.4 mm

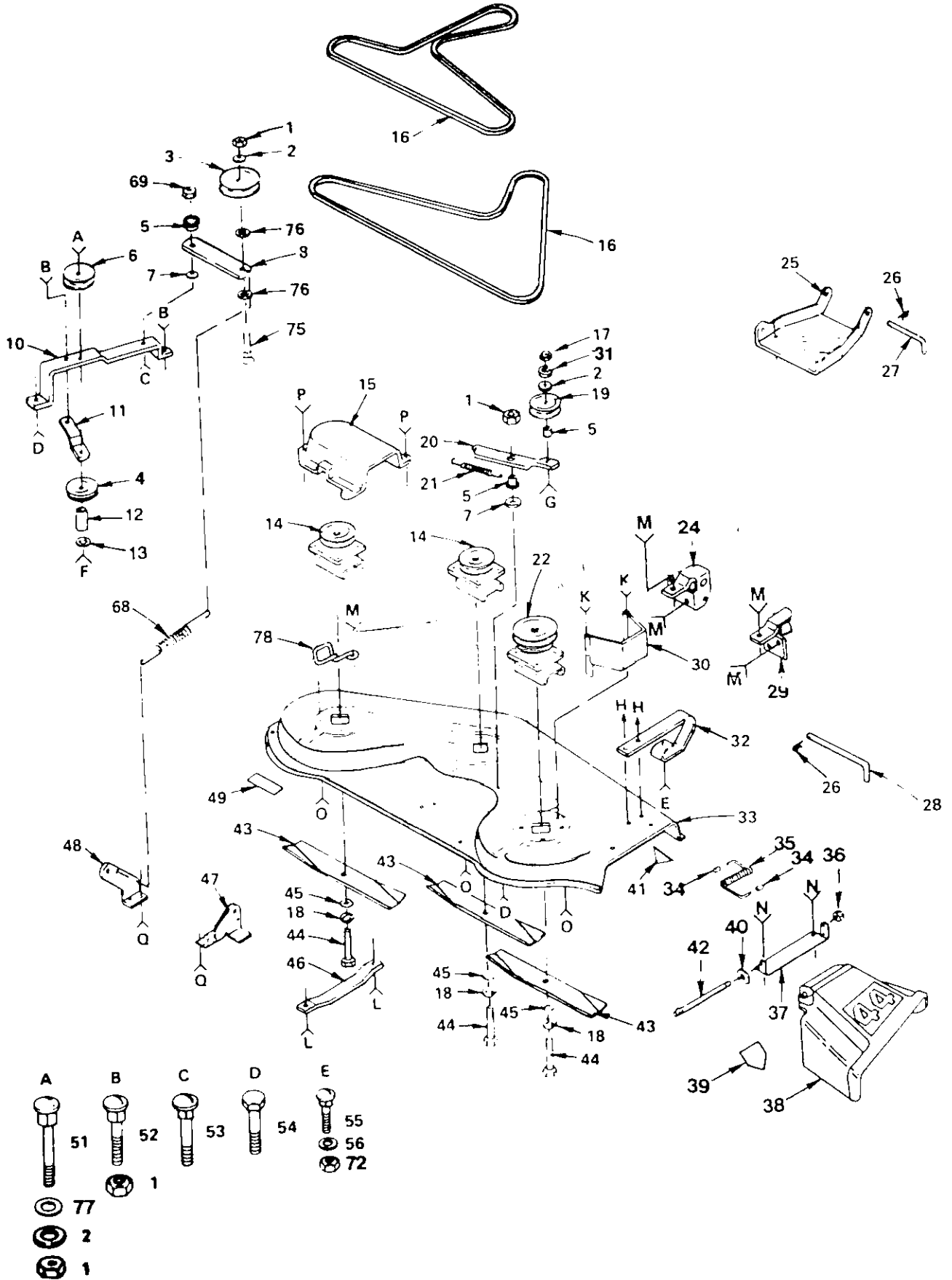


ENGINE

# REPAIR PARTS

## 20 H.P. GARDEN TRACTOR - MODEL NUMBER 917.254460

MOWER



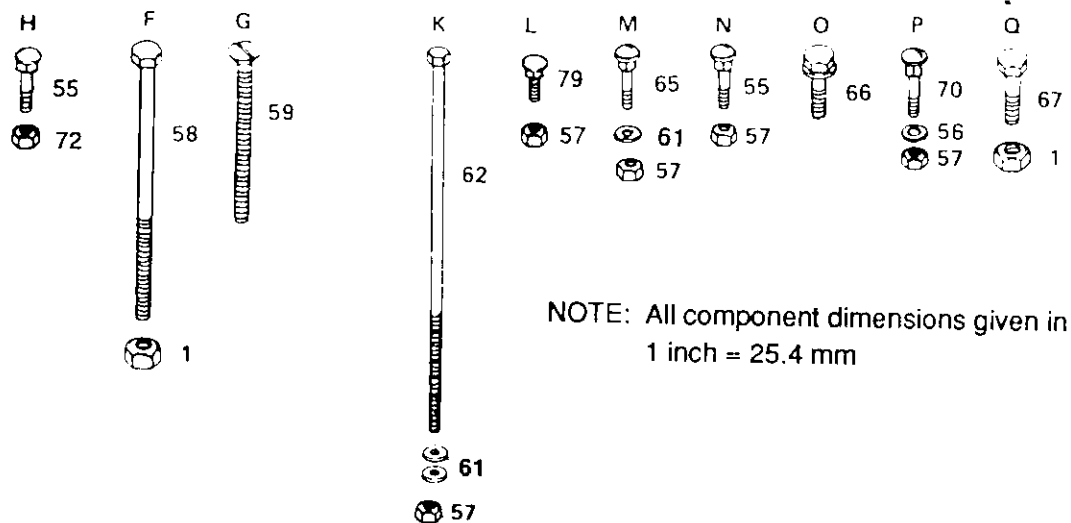
# REPAIR PARTS

## 20 H.P. GARDEN TRACTOR - MODEL NUMBER 917.254460

### MOWER

KEY PART NO. NO.	DESCRIPTION	KEY PART NO. NO.	DESCRIPTION
1	STD541437 * Nut - Lock 3/8 - 16	40	19111016 Washer 11/32 x 5/8 x 16 Ga.
2	19131614 Washer 13/32 x 1 x 14 Ga.	41	Decal OPEI ( not serviced)
3	121316X Pulley Idler	42	106735X Rod Hinge
4	102403X Pulley, Idler	43	106635X Blade
5	106902X Spacer	44	STD623715 * Bolt- Hex 3/8 - 24 x 1- 1/2 Gi
6	677A451 Pulley Idler	45	19132012 Washer 13/32 x 1-1/4 x 12 Ga.
7	106513X Washer - Wear	46	7631J Runner - L.H.
8	121425X Arm - Idler	47	123807X Bracket Suspension, Rear- R.H.
10	106523X Bar Support - Idler	48	123808X Bracket - Suspension, Rear- L.H.
11	106522X Brace - Idler - Deck	49	106223X Decal- V-Belt - Schematic
12	121236X Spacer	51	STD533717 * Bolt - Carriage 3/8 - 16 x 1 -
13	STD551037 * Washer, 13/32 X 13/16 X 16 Ga.	52	STD533710 * Bolt - Carriage 3/8 - 16 x 1
14	121658X Mandrel - Secondary	53	STD533715 * Bolt - Carriage 3/8 16 x 1-1/2
15	106214X Guard	54	STD523712 * Bolt - Hex 3/8 - 16 x 1 - 1/4
16	106085X V Belt	55	STD533107 * Bolt - Carriage 5/16- 18 x 3, 1/2
17	STD541037 * Nut, Hex 3/8 - 16	56	STD551031 * Washer 11/32 x 11/16x 16 Ga
18	STD551137 * Washer - Lock 3/8	57	STD541431 * Nut - Lock 5/16- 18
19	102932X Idler - Flat	58	STD523730 * Bolt - Hex 3/8 - 16 x 3
20	106526X Arm - Idler - Deck	59	74110632 Screw - Flat Head 3/8 - 16 x 1
21	7644J Spring- Extension	61	19111216 Washer 11/32 x 3/4x 16 Ga.
22	121705X Mandrel - Primary	62	STD523150 * Bolt - Hex 5/16 18 x 5
24	106511X Bracket Lift L.H.	65	STD533107 * Bolt - Carriage 5/16 - 18 x 5/8 UNC x 3/4
25	105662X Link Parallel	66	17490612 Screw - Hex Washer Thread Rolling 3/8 16 x 3/4
26	4921H Retainer - Spring	67	STD533707 * Bolt - Carriage 3/8 - 16 x 3/4
27	105744X Pln, Front Hinge	68	102727X Spring - Extension
28	109835X Pin, Rear Hinge	69	STD541437 * Nut - Centerlock 3/8 - 16
29	106512X Bracket Lift - R.H.	70	STD533107 * Bolt - Carriage 5/16 - 18 x 3/4
30	108119X Guard Belt - R.H.	72	1685H Nut - Lock 5/16 - 18
31	10040600 Washer, Lock Hvy. Hel. Spring	76	19131210 Bolt, Carriage 3/8 - 16 X 2 1/2
32	8418J Runner - R. H.	77	STD533106 Washer 13/32 x 3/4 x 10 Ga.
33	121423X Housing - Mower	78	121352X Washer, 13/32 X 7/8 X 10 Ga.
34	105304X Cap Sleeve	79	72110505 * Keeper - L.H. Mandrel
35	106734X Spring	---	125493X * Bolt - Carriage 5/16 - 18 X 5/8 Mower Deck, Complete
36	110452X Nut . Push		
37	109743X Bracket - Deflector		
38	109785X Guard - Discharge		
39	121343X Decal - Warning		

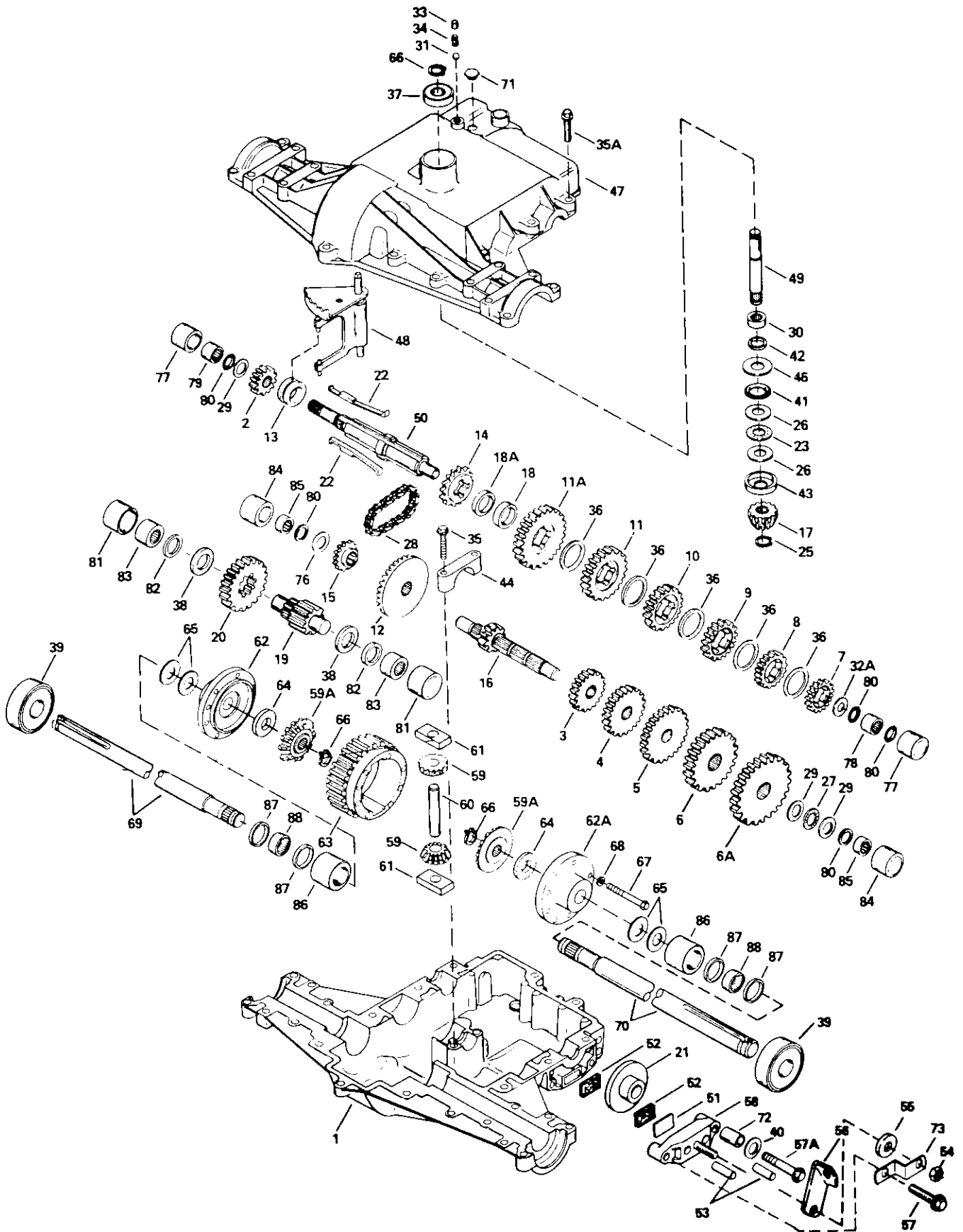
\* STANDARD HARDWARE--PURCHASE LOCALL



NOTE: All component dimensions given in U.S. inches  
1 inch = 25.4 mm

# REPAIR PARTS

20 H.P. GARDEN TRACTOR - MODEL NUMBER 917.254460 AND 917.250040  
TRANSAXLE PEERLESS - - MODEL NUMBER 143-820-016



# REPAIR PARTS

## 20 H.P. GARDEN TRACTOR - MODEL NUMBER 917.254460 AND 917.250040 TRANSAXLE PEERLESS - - MODEL NUMBER 143-820-016

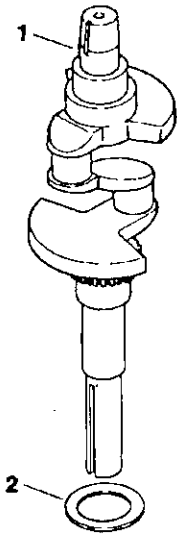
Ref. No.	Part No.	Part Name	Ref. No.	Part No.	Part Name
1	770088	Case, Transaxle	44	786131	Cap, Bearing
2	778253	Gear, Spur (15 teeth)	45	780165	Washer, Flat
3	778211	Gear, Spur (12 teeth)	47	772098	Cover, Transaxle
4	778240	Gear, Spur (18 teeth)	48	784342	Rod & Fork Assy., Shift
5	778201	Gear, Spur (25 teeth)	49	776274	Shaft, Input
6	778202	Gear, Spur (28 teeth)	50	776313	Locknut, 5/16-24
6A	778208	Gear, Spur (31 teeth)	51	790007	Plate, Brake pad
7	778209	Gear, Spur (19 teeth)	52	790006	Pad, Brake
8	778203	Gear, Spur (22 teeth)	53	786026	Pin, Dowel
9	778204	Gear, Spur (25 teeth)	54	792075	Locknut, 5/16-24
10	778239	Gear, Spur (32 teeth)	55	792076	Washer, Flat
11	778207	Gear, Spur (37 teeth)	56	790047	Lever, Brake
11A	778216	Gear, Spur (41 teeth)	57	792073	Screw, Flanged hex hd. thread-forming, 1/4-20 x 1-1/4
12	778246	Gear, Bevel (33 teeth)	57A	792085	Screw, Flanged hex hd. thread-forming, 1/4-20 x 2-1/4
13	784216	Collar, Shift	58	790025	Holder, Brake pad
14	786123	Sprocket (18 teeth)	59	778197	Pinion, Differential bevel
15	786082	Sprocket (9 teeth)	59A	778198	Gear, Bevel
16	776291	Shaft, Counter (w/9 tooth gear)	60	786019	Pin, Drive
17	778245	Bevel Pinion, Input (13 teeth)	61	786027	Block, Drive
18	786121	Spacer, Natural (.350/.340 thick)	62	774833	Carrier, Differential (Threaded holes)
18A	786122	Spacer, Natural (.276/.268 thick)	62A	774834	Carrier, Differential
19	776275	Shaft, Output (9 teeth)	63	778248	Gear, Ring (31 teeth)
20	778247	Gear, Output (35 teeth)	64	780107	Washer
21	790043	Disk, Brake	65	780042	Washer, Thrust
22	792138	Key	66	792018	Ring, Snap
23	780084	Bearing, Thrust	67	792020	Screw, Hex hd., 1/4-20 x 2-1/4
25	788040	Ring, Retaining	68	792006	Lockwasher, 1/4"
26	780051	Washer, Thrust	69	774832	Axle (12-5/16" long)
27	780071	Bearing, Thrust	70	774831	Axle (16-3/16" long)
28	786081	Chain, Roller (No. 41 chain, 24 links)	71	792074	Plug, Hex hd., 9/16-18 thread
29	780072	Washer, Thrust	72	786067	Spacer
30	780155	Bearing, Needle	73	786086	Bracket, Brake lever
31	792077	Ball, Steel	76	780153	Washer
32A	780139	Washer, Thrust	77	786144	Sleeve (stepped)
33	792078	Screw, Set, 3/8-16 x 3/8	78	780150	Bearing, Needle
34	792079	Spring	79	780152	Bearing, Needle (capped)
35	792073	Screw, Flanged hex hd. thread-forming, 1/4-20 x 1-1/4	80	792001	"O" Ring
35A	792129	Screw, Hex hd. threadforming, 5/16-18 x 1-1/4	81	786142	Sleeve (stepped)
36	780108	Washer, Thrust	82	788071	Ring, Square cut
37	780119	Bearing, Ball	83	780049	Bearing, Needle (capped)
38	780128	Washer, Thrust	84	786143	Sleeve (stepped)
39	780050	Bearing, Ball	85	780151	Bearing, Needle (capped)
40	792128	Washer, Flat	86	786145	Sleeve (stepped)
41	788077	"O" Ring	87	788070	Ring, Square cut
42	788042	Seal, Oil	88	780031	Bearing, Needle
43	780166	Washer, Cupped			

NOTE: All component dimensions given in U.S. inches.  
1 inch = 25.4 mm.

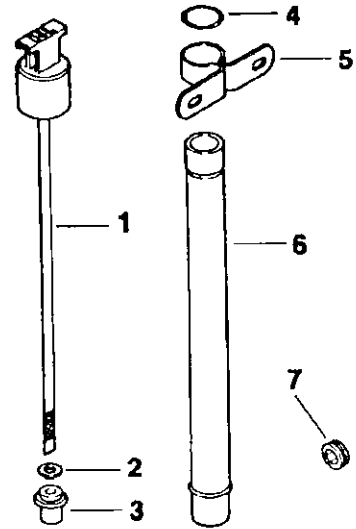
# REPAIR PARTS

20 H.P. GARDEN TRACTOR - MODEL NUMBER 917.254460 and 917.250040  
ENGINE MODEL NUMBER MV20S, 57517

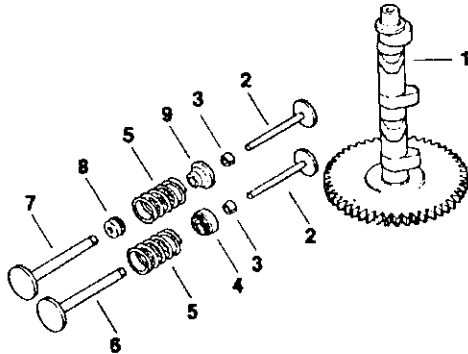
## CRANKSHAFT



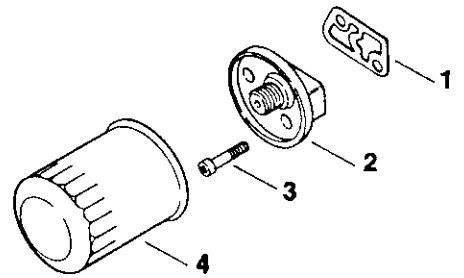
## DIPSTICK



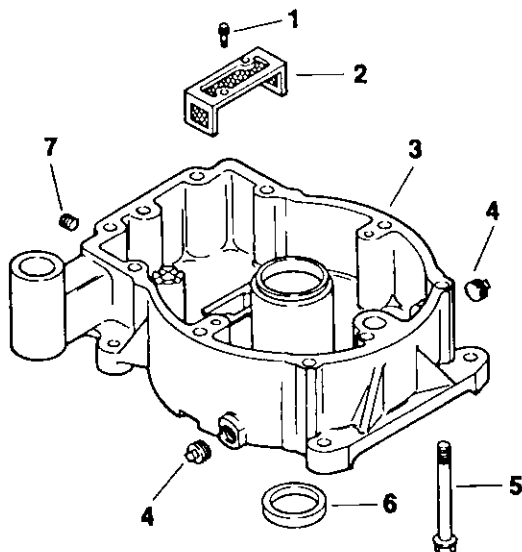
## CAMSHAFT AND VALVES



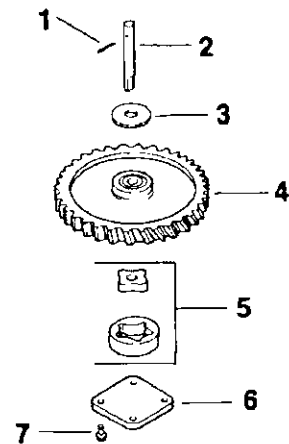
## OIL FILTER



## OIL PAN



## OIL PUMP





# REPAIR PARTS

20 H.P. GARDEN TRACTOR - MODEL NUMBER 917.254460 and 917.250040  
ENGINE MODEL NUMBER MV20S, 57517

## CRANKSHAFT

KEY PART NO.	PART NO.	DESCRIPTION
1	82 014 07	Crankshaft
2	52 468 03	"Washer, thrust .119/.122 (A.R.)"
	52 468 04	"Washer, thrust .128/.131"
	52 468 05	"Washer, thrust .137/.140 (A.R.)"

## OIL FILTER

KEY PART NO.	PART NO.	DESCRIPTION
1	52 041 16	"Gasket, oil filter"
2	52 181 03	"Adapter, oil filter"
3	X-55-15	"Screw, hex. socket hd 5/16-18x1-1/4 (2)"
4	52 050 02	Oil filter

## CAMSHAFT & VALVES

KEY PART NO.	PART NO.	DESCRIPTION
1	52 012 09	Camshaft
2	52 019 03	Tappet (4)
3	41 755 10	"Kit, retainer (4)"
4	52 413 01	"Rotator, exhaust valve (2)"
5	25 089 01	"Spring, valve (4)"
6	52 016 06	"Valve, exhaust (2)"
7	52 017 07	"Valve, intake (2)"
8	52 032 13	"Seal, intake valve stem (2)"
9	230011	"Retainer, intake valve (2)"

## DIPSTICK

KEY PART NO.	PART NO.	DESCRIPTION
1	52 038 08	"Dipstick 13-1/2"" blade"
2	X-25-44	"Washer, plain 5/16"
3	52 032 14	"Seal, rubber"
4	41 153 01	O-Ring
5	52 126 11	"Bracket, oil tube support"
6	52 123 20	"Tube, oil fill 11-7/8""
7	47 139 01	"Plug, hex. ctsk. 3/4""N.P.T.F."

## OIL PAN

KEY PART NO.	PART NO.	DESCRIPTION
1	X-67-64	"Screw, hex. wash. hd. 10-32x7/16 (2)"
2	52 050 03	"Filter, oil pickup"
3	52 199 03	Oil pan
4	X-75-10	"Plug, sq. hd. 3/8 N.P.T.F. (2)"
5	52 086 12	"Screw, hex. wash. hd. 5/16-18x1-1/4 (9)"
6	52 032 10	"Seal, rear oil"

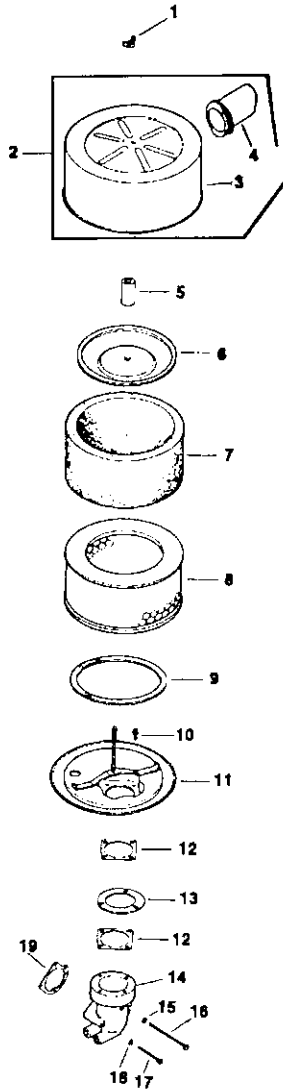
## OIL PUMP

KEY PART NO.	PART NO.	DESCRIPTION
1	X-280-25	"Pin, roll"
2	52 144 05	"Shaft, oil pump"
3	52 422 01	"Spacer, shim (A.R. max. 2)"
4	52 043 05	"Gear, oil pump"
5	52 393 09	Rotor set
6	52 096 03	"Cover, oil pump"
7	X-67-64	"Screw, hex. wash. hd. 10-32x7/16 (4)"

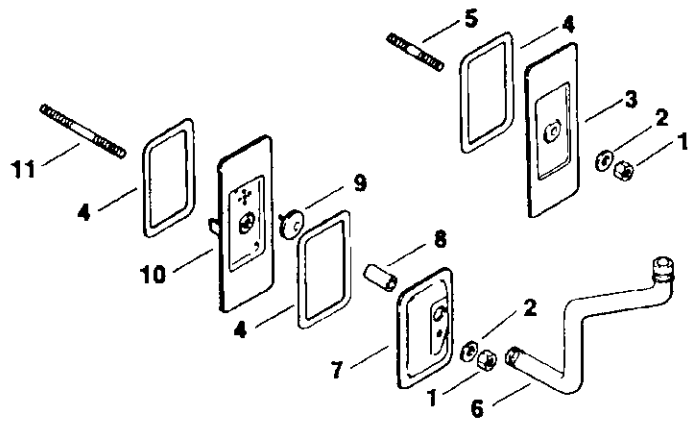
# REPAIR PARTS

20 H.P. GARDEN TRACTOR - MODEL NUMBER 917.254460 and 917.250040  
ENGINE MODEL NUMBER MV20S, 57517

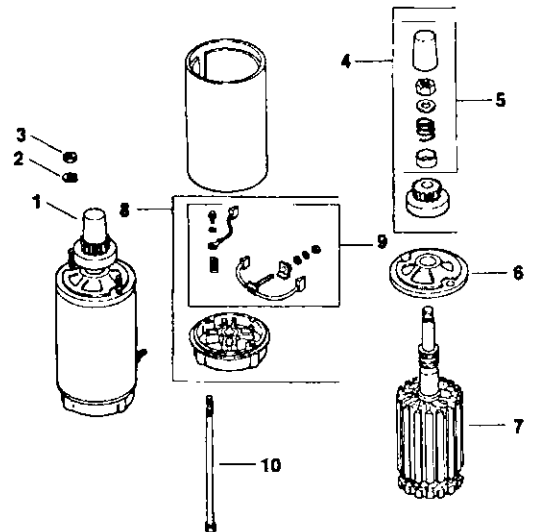
## AIR INTAKE



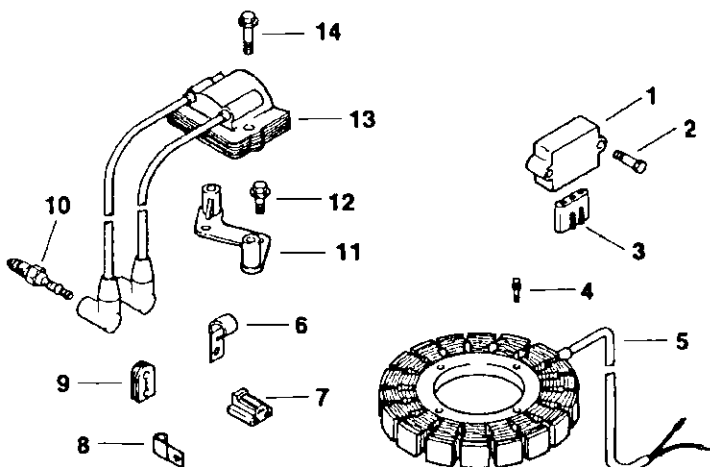
## BREATHER & VENT



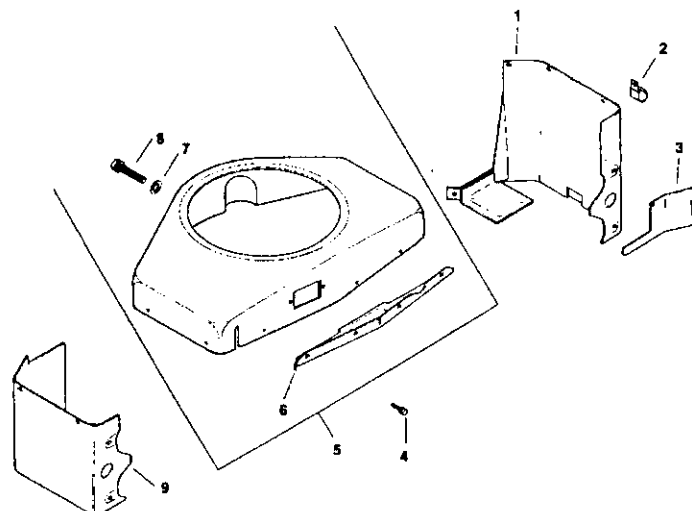
## ELECTRIC START



## IGNITION



## BAFFLES & SHROUD



# REPAIR PARTS

20 H.P. GARDEN TRACTOR - MODEL NUMBER 917.254460 and 917.250040  
ENGINE MODEL NUMBER MV20S, 57517

## AIR INTAKE

KEY PART NO.	PART NO.	DESCRIPTION
1	X-276-7	Wing nut 1/4-20
2	52 755 83	"Kit, cover & tube (Includes 3,4 & decal 52 113 30)"
3	52 755 83	"Cover, air cleaner"
4	52 123 21	"Tube, air intake"
5	231032	"Seal, element cover"
6	52 082 04	"Cover, air cleaner element"
7	45 083 01	Precleaner
8	45 083 02	Element
9	237423	"Seal, air cleaner cover"
10	X-67-98	"Screw, hex. wash. hd. 10-32 x 9/16 (4)"
11	52 201 06	"Base, air cleaner"
12	277093	"Gasket, air cleaner (2)"
13	52 112 11	Spacer
14	52 054 34	"Elbow, air intake"
15	X-22-9	"Washer, I.T. #10 (2)"
16	X-50-57	"Screw, sltd. pan hd.10-32 x 1-3/4 (2)"
17	X-50-37	"Screw, sltd. pan hd. 10-32 x 2-1/4 "
18	X-25-79	"Washer, plain #10"
19	277069	"Gasket, elbow"
—	25 113 07	"Decal, air cleaner"

## IGNITION

KEY PART NO.	PART NO.	DESCRIPTION
1	25 755 03	"Kit, rectifier-regulator (Includes 2)"
2	X-132-5	"Screw, H.C. 1/4-20xS/8 (2)"
3	236602	Connector
4	X-67-51	"Screw, H.C. 10-24x3/4 (4)"
5	237878	"Kit, stator"
6	210281	Clip
7	236473	Connector
8	48 154 01	Clamp
9	52 313 02	Grommet
10	51 132 02	Spark plug (2)
11	52 126 08	"Bracket, module"
12	25 086 16	"Screw, hex. wash. hd. 1/4-20x7/8 (2)"
13	52 584 02	"Module, ignition"
14	25 086 15	"Screw, hex. wash. hd. 1/4-20x1 (2)"
—	47 518 33	"Lead, violet, rectifier-reg.(11" - 14 gauge - uninsulated push on tab terminals)"
—	52 518 17	"Lead, white, module to connector (12-1/2" - 18 gauge - insulated push on tab and uninsulated push on tab terminals)"

## BREATHER & VENT

KEY PART NO.	PART NO.	DESCRIPTION
1	X-81-1	"Nut, hex. 1/4-20 (2)"
2	X-25-12	"Washer, plain 1/4 (2)"
3	52 096 18	"Cover, #2 cylinder valve"
4	52 055 01	"Gasket, cover (3)"
5	X-352-39	"Stud, #2 cylinder valve cover 4-20x2-1/4"
6	52 326 12	"Hose, breather"
7	52 096 08	"Cover, #1 upper cyl. valve"
8	52 032 04	"Seal, breather"
9	52 462 01	"Valve, umbrella"
10	52 096 22	"Cover, #1 lower cyl. valve"
11	275220	"Stud, #1 cylinder valve cover 4-20x3-1/4"

## ELECTRIC START

KEY PART NO.	PART NO.	DESCRIPTION
1	52 098 10	Starter assembly (Includes 4-10)
2	X-20-1	"Washer, lock 1/4 (2)"
3	X-81-1	"Nut, hex. 1/4-20 (2)"
4	52 755 05	"Kit, drive (Includes 5)"
5	52 755 08	"Kit, drive parts"
6	52 227 01	"Cap, drive end"
7	52 170 03	Armature
8	52 227 08	"Cap, commutator end (Includes 9)"
9	52 755 15	"Kit, brush"
10	52 211 03	"Bolt, thru 1/4-20x6-7/8 (2)"
—	25 450 03	"Tag, caution"

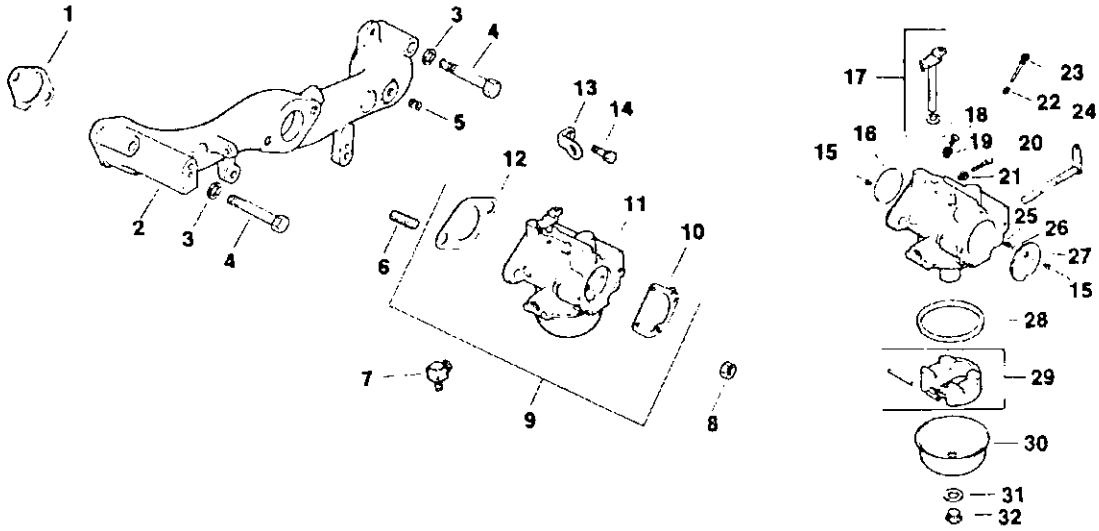
## BAFFELS & SHROUD

KEY PART NO.	PART NO.	DESCRIPTION
1	52 063 30	"Baffle, #2 cylinder head"
2	48 154 01	Clamp
3	52 063 01	"Baffle, #2 cylinder top"
4	X-67-83	"Screw, hex. wash. hd. 1/4-20 x 7/16 (20)"
5	52 755 70	"Kit, blower housing (Includes 6-8)"
6	52 217 01	"Support, upper housing"
7	52 468 16	"Washer, flat 1/4 (2)"
8	52 086 11	Screw 1/4-20x5/8 (2)
9	52 124 05	"Baffle, #1 cylinder head"

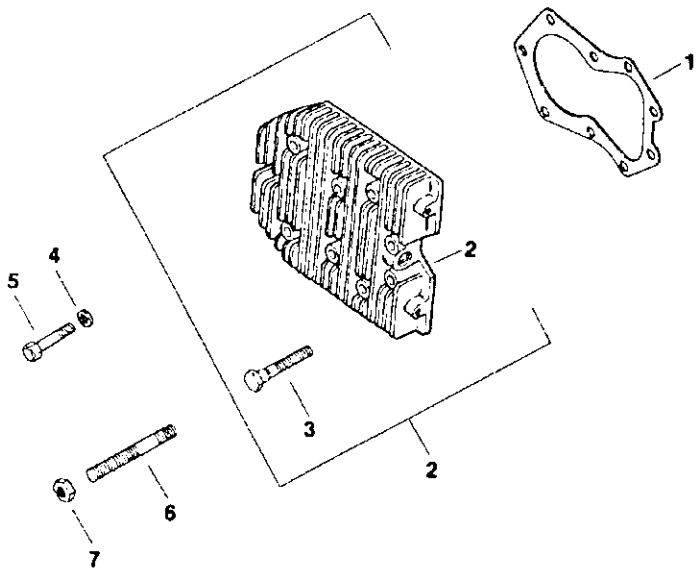
# REPAIR PARTS

20 H.P. GARDEN TRACTOR - MODEL NUMBER 917.254460 and 917.250040  
ENGINE MODEL NUMBER MV20S, 57517

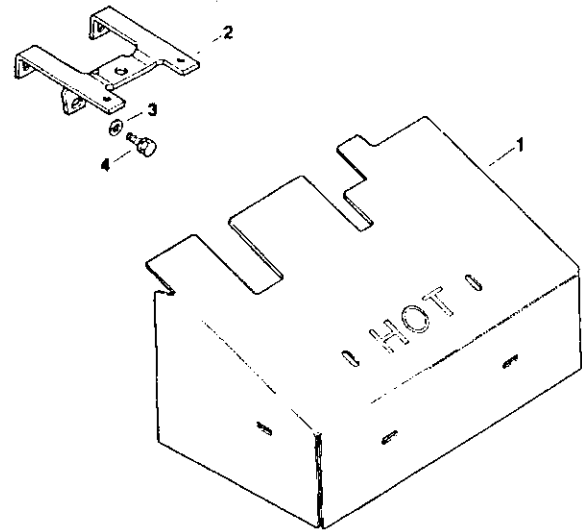
## CARBURETOR



## CYLINDER HEAD



## EXHAUST



## LOW OIL PRESSURE CUTOUT



# REPAIR PARTS

20 H.P. GARDEN TRACTOR - MODEL NUMBER 917.254460 and 917.250040  
ENGINE MODEL NUMBER MV20S, 57517

## CARBURETOR

KEY PART NO.	PART NO.	DESCRIPTION
1	52 041 09	"Gasket, intake (2)"
2	52 164 15	"Manifold, intake"
3	X-25-44	"Washer, plain 5/16 (4)"
4	X-6-29	"Screw, H.C. 5/16-18x1-1/4 (4)"
5	X-73-23	Plug
6	X-352-37	Stud 5/16-18xl (2)
7	25 155 02	"Connector, hose"
8	X-77-2	Nut 5/6 (2)
9	52 853 29	"Kit, carburetor w/gasket (Includes 10-13,15-32) "
10	277069	"Gasket, air cleaner"
11	52 053 55	Carburetor (For information only not available separately)
12	271030	"Gasket, carburetor"
13	232867	"Strap, lifting"
14	X-67-62	"Screw, hex. wash. hd. 1/4-20x3/4"
15	25 086 27	"Screw, throttle & choke plate (4)"
16	25 146 02	"Plate, throttle"
17	52 144 16	"Shaft, throttle w/lever & seal"
18	25 368 01	"Needle, idle fuel adj."
19	25 089 02	"Spring, idle fuel"
20	25 086 26	"Screw, idle speed adj."
21	25 089 04	"Spring, idle speed"
22	25 089 02	"Spring, main fuel"
23	25 368 03	"Needle, main fuel"
24	52 090 13	"Lever, choke"
25	25 089 03	"Spring, choke friction"
26	25 194 01	"Ball, choke friction"
27	25 146 03	"Plate, choke"
28	25 041 04	"Gasket, bowl"
29	25 757 09	"Kit, float"
30	25 104 01	"Bowl, fuel"
31	25 041 03	"Gasket, bowl retainer screw"
32	25 100 05	"Screw, bowl retainer"
—	25 757 11	"Kit, carburetor repair"

## CYLINDER HEAD

KEY PART NO.	PART NO.	DESCRIPTION
1	52 041 18	"Gasket, head (2)"
2	52 755 78	"Kit, cylinder head (2) (Includes 3)"
3	25 086 07	"Screw, hex. machine 5/16-18x1-1/4 (4)"
4	220534	"Washer, plain 5/16 (18)"
5	41 086 02	"Screw, hex. hd. 5/16-18x1-1/4 (8)"
6	52 072 15	Stud 5/16-18x2 (6)
7	X-82-2	"Nut, hex. 5/16-18 (6)"

## EXHAUST

KEY PART NO.	PART NO.	DESCRIPTION
1	52 281 31	"Shield, heat"
2	52 126 12	Bracket
3	X-25-72	"Washer, plain (3)"
4	52 086 11	Screw 1/4-20x5/8 (3)
5	52 041 14	"Gasket, exhaust (2)"

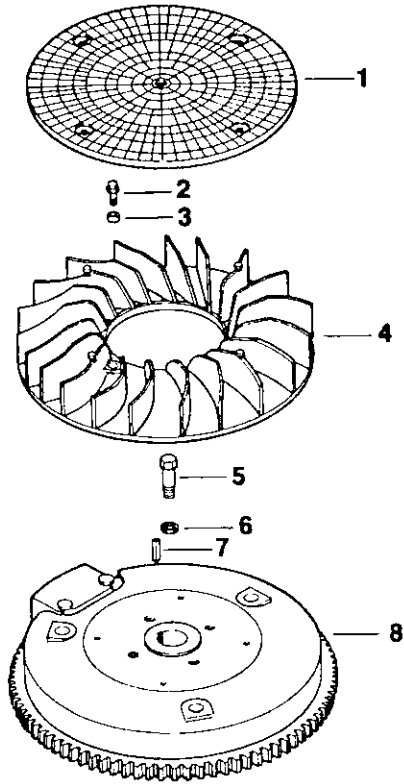
## LOW OIL PRESSURE CUTOUT

KEY PART NO.	PART NO.	DESCRIPTION
1	X-75-23	"Plug, pipe 1/8 N.P.T.F."
	52 755 94	Gasket Set
	82 522 23	Short Block

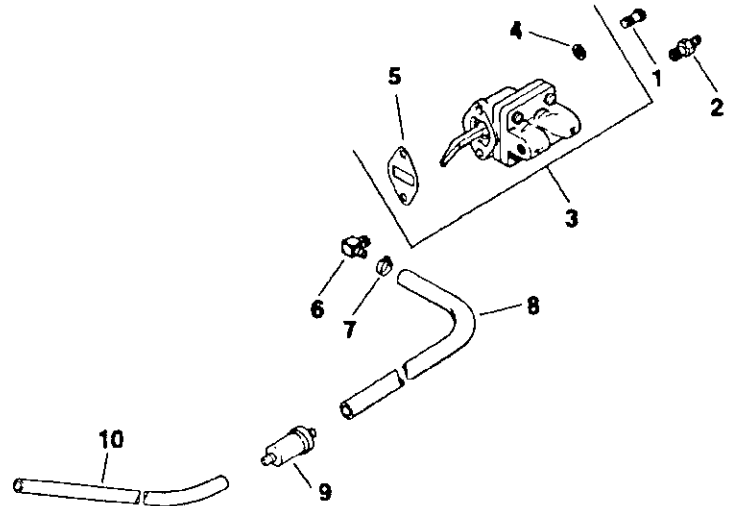
# REPAIR PARTS

20 H.P. GARDEN TRACTOR - MODEL NUMBER 917.254460 and 917,250040  
ENGINE MODEL NUMBER MV20S, 57517

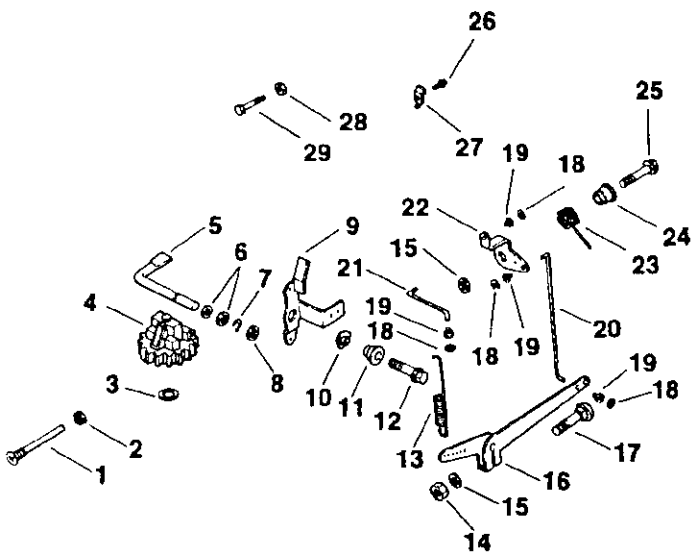
## FLYWHEEL



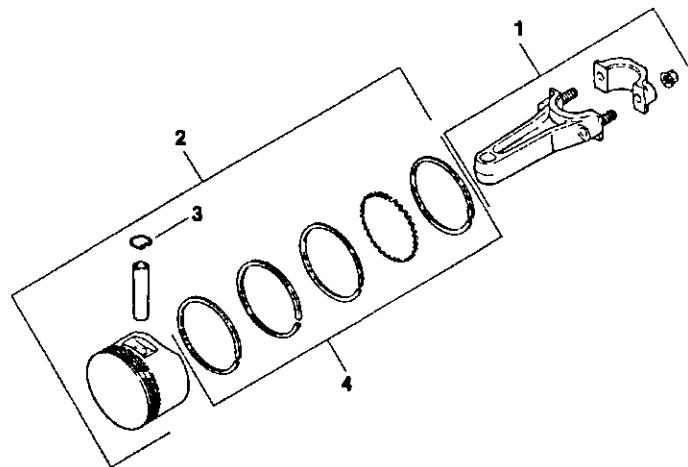
## FUEL PUMP



## GOVERNOR



## PISTON & ROD



# REPAIR PARTS

20 H.P. GARDEN TRACTOR - MODEL NUMBER 917.254460 and 917.250040  
ENGINE MODEL NUMBER MV20S, 57517

## FLYWHEEL

KEY PART NO.	PART NO.	DESCRIPTION
1	25 162 01	"Screen, grass"
2	25 086 21	"Screw, hex. wash. hd. 1/4-20x5/8 (4)"
3	25 112 04	Spacer (4)
4	25 157 01	Fan
5	25 086 24	"Screw, hex. machine 3/8-24x1-1/4"
6	52 468 15	"Washer, plain"
7	X-286-17	"Key, square 3/16x7/8"
8	52 025 36	Flywheel

## GOVERNOR

KEY PART NO.	PART NO.	DESCRIPTION
1	231355	"Pin, governor stop"
2	X-25-12	"Washer, plain 1/4"
3	237022	"Washer, thrust"
4	A-235743-S	"Kit, governor gear"
5	52 078 04	"Shaft, governor cross"
6	X-25-102	"Washer, plain 1/4 (2)"
7	X-269-28	"Retainer, governor"
8	X-25-63	"Washer, plain 1/4"
9	52 090 18	"Lever, speed control"
10	277341	"Washer, tension"
11	25 431 01	"Bushing, speed control lever"
12	25 086 21	"Screw, hex. wash. hd. 1/4-20x5/8"
13	52 089 07	"Spring, governor"
14	X-81-1	"Nut, hex. 1/4-20"
15	X-25-72	"Washer, plain 1/4 (2)"
16	52 186 09	"Arm, governor"
17	52 211 04	"Screw, R.H. sq. neck 1/4-20x1"
18	25 141 03	"Ring, retaining (4)"
19	25 158 08	"Bushing, linkage retaining (4)"
20	52 079 07	"Linkage, governor"
21	52 079 06	"Linkage, throttle"
22	52 090 14	"Lever, throttle"
23	52 089 08	"Spring, torsion"
24	52 158 07	"Bushing, thr. control lever"
25	25 086 15	"Screw, hex. wash. hd. 1/4-20x1"
26	X-67-97	"Screw, hex. wash. hd. 10-24x3/8 (3)"
27	235778	Clamp (3)
28	X-70-3	"Nut, hex. 10-32"
29	52 086 05	"Screw, hex. hd. 10-32x7/8"

## FUEL PUMP

KEY PART NO.	PART NO.	DESCRIPTION
1	47 086 08	"Screw, pozidriv T.H. 1/4-20 (2)"
2	X-380-1	"Connector, straight"
3	52 559 01	"Pump, fuel assembly (Includes 4 & 5)"
4	X-25-63	"Washer, plain 1/4 (2)"
5	25 041 05	"Gasket, fuel pump"
6	25 155 02	"Connector, hose"
7	X-426-9	"Clamp, hose (4)"
8	52 353 18	"Line, fuel"
9	45 050 01	"Filter, fuel"
10	41 353 14	"Hose, fuel"

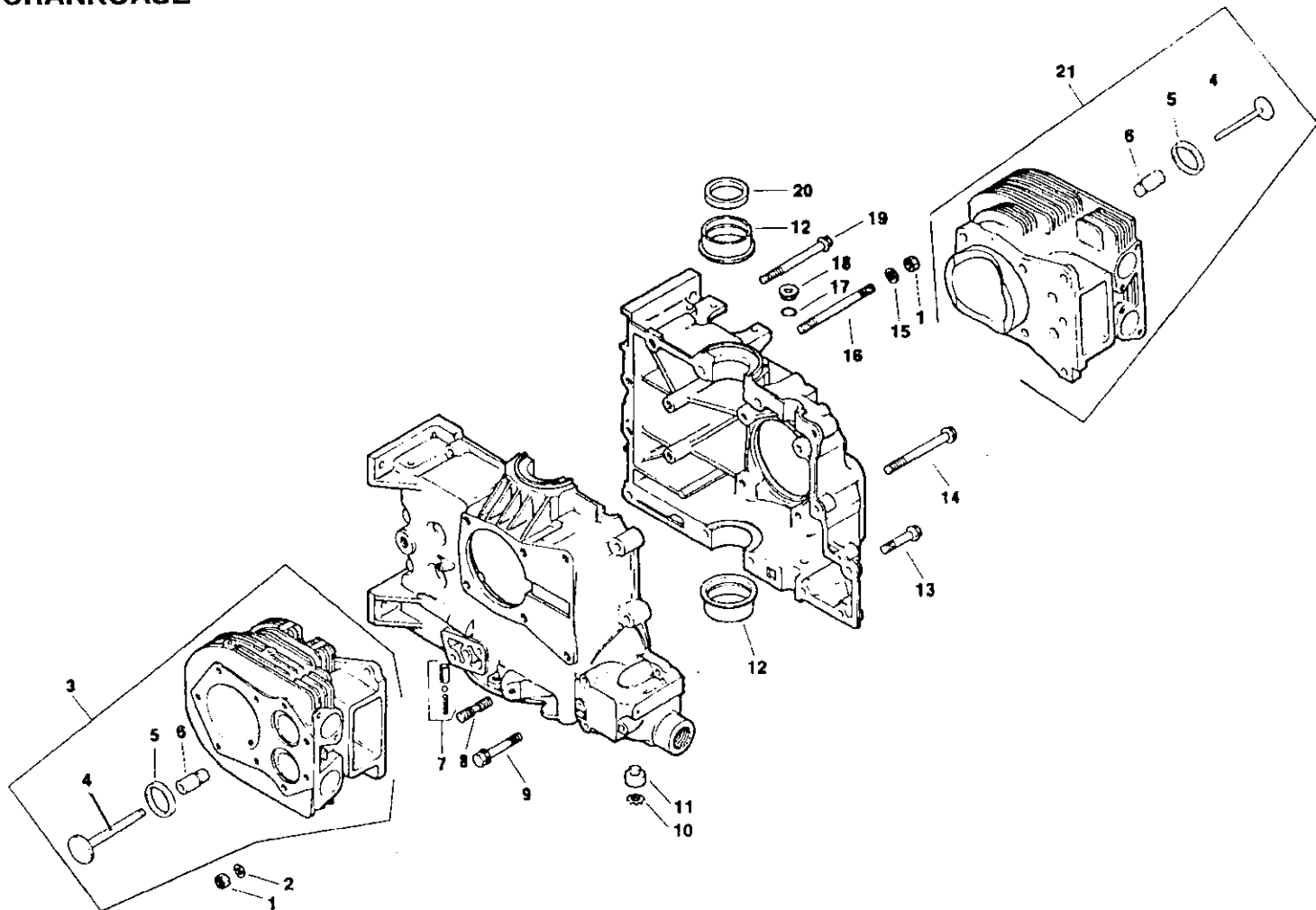
## PISTON & ROD

KEY PART NO.	PART NO.	DESCRIPTION
1	52 067 71	Connecting Rod (Std.) (2)
	52 067 72	Connecting Rod (.010) (2)
2	52 874 16	Piston w/Ring Set (Std.) (2)
	52 874 17	Piston w/Ring Set (.003) (2)
	52 874 18	Piston w/Ring Set (.010) (2)
	52 874 19	Piston w/Ring Set (.020) (2)
	52 874 20	Piston w/Ring Set (.030) (2)
3	52 141 01	"Retainer, piston pin (4)"
4	52 108 09	Ring Set (Std. & .003) (2)
	52 108 10	Ring Set (.010) (2)
	52 108 11	Ring Set (.020) (2)
	52 108 12	Ring Set (.030) (2)

# REPAIR PARTS

20 H.P. GARDEN TRACTOR - MODEL NUMBER 917.254460 and 917.250040  
ENGINE MODEL NUMBER MV20S, 57517

## CRANKCASE



KEY PART NO.	PART NO.	DESCRIPTION	KEY PART NO.	PART NO.	DESCRIPTION
1	X-82-2	"Nut, hex. 5/16-18 (16)"	13	25 086 10	"Screw, hex. flange 5/16-18x1-1/2 (3)"
2	52 468 12	"Washer, flat 5/16 (12)"	14	25 086 13	"Screw, hex. flange 3/8-16x3-5/8 (2)"
3	82 755 18	"Kit, #1 cylinder barrel (Includes 4-6)"	15	41 468 01	"Washer, plain (4)"
4	52 016 06	"Valve, exhaust"	16	X-352-33	Stud 5/16-18x4-1/8 (2)
5	52 031 01	"Insert, valve seat (2)"	17	52 141 02	O-ring
6	52 316 06	"Guide, valve (2)"	18	52 139 08	Plug
7	52 755 50	"Kit, oil relief"	19	25 086 11	"Screw, hex. flange 5/16-18x3-1/2 (6)"
8	52 072 12	"Step stud 5/16-18x3/4", 3/8-16x5/8", 2" long (12)"	20	52 032 10	"Seal, front oil"
9	25 086 12	"Screw, hex. flange 5/16-18x2 (2)"	21	82 755 19	"Kit, #2 cylinder barrel (Includes 4-6)"
10	X-269-43	"Ring, retaining"			
11	52 078 05	"Shaft, governor"			
12	52 030 10	"Bearing, sleeve (Std.) (2)"			
	52 030 11	"Bearing, sleeve (.010)"			
	52 030 12	"Bearing, sleeve (.020)"			